

Wyndham Two Door Linen Cabinet

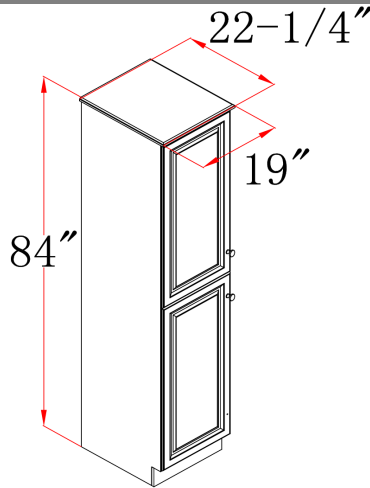


Specifications

- Cam-lock connectors for fast & easy assembly
- Durable thermofoil, full overlay door design
- 2 doors, 2 adjustable shelves
- Frameless design for increased storage space and accessibility
- Silver finish hardware
- White Semi-Gloss Finish
- Vanity top sold separately



Dimensions



Warranty & Compliances

Warranty Limited 1 year warranty
California 93120 Compliant



Order Codes & Finishes/Colors

18"w x 21"d x 84"h

539700

Type:
Job:
Order Code:
Approvals:

Design House reserves the right to make changes in materials, specifications & models at any time. Design House also reserves the right to discontinue product without notice or obligation.