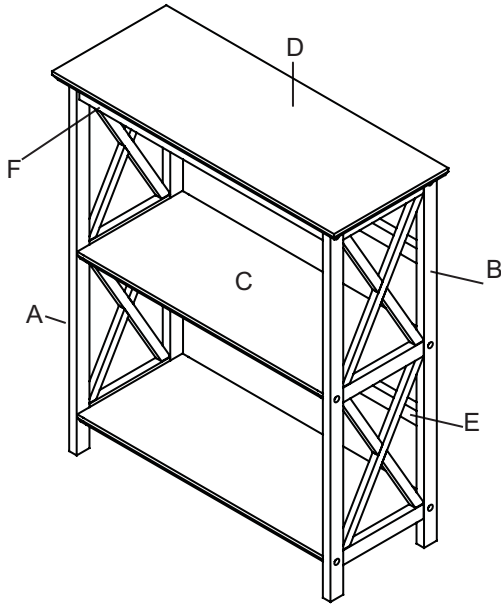


HDC#: 02183 MFG#: 324-3X

ASSEMBLY INSTRUCTION Montego Low Bookshelf



LIST OF WOODEN PARTS

NO	DESCRIPTION	Q'TY
A	LEFT PANEL	1
B	RIGHT PANEL	1
C	SHELVES	2
D	MANTEL TOP	1
E	BACK CROSSBARS	2
F	MANTEL TOP CROSSBARS	2

LIST OF HARDWARE

RF10003	SCREW JCA 1/4" x 32	12
RF10002	SMALL SCREWS	6
RF40001	WOOD PLUGS	12
RF40103	HEXAGONAL WRENCH	1



RF10003 RF10002 RF40001 RF40103

Please contact Home Decorators
Collection Customer Service at
(800) 240-6047
for parts or other product issues.

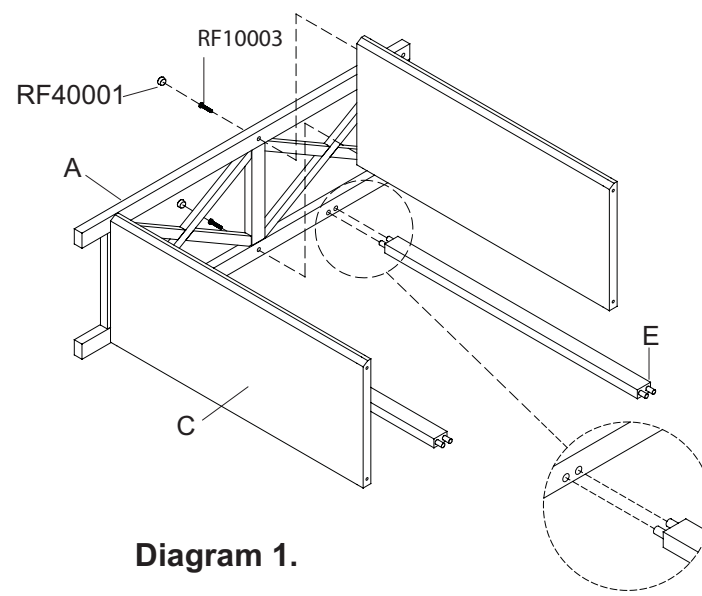


Diagram 1.

Step 1. Lay the left panel (Part A) on a soft surface .
Then attach shelves (Part C)by using screws
JCA 1/4" x 32(RF10003) and attach back crossbars
(Part E)into left panel (Part A).
Make sure the tapered edge faces upward.
BE CAREFUL, DO NOT OVER TIGHTEN THE SCREWS.
You may cover up screw holes with the enclosed wood
plugs (RF40001) as per Diag.1.

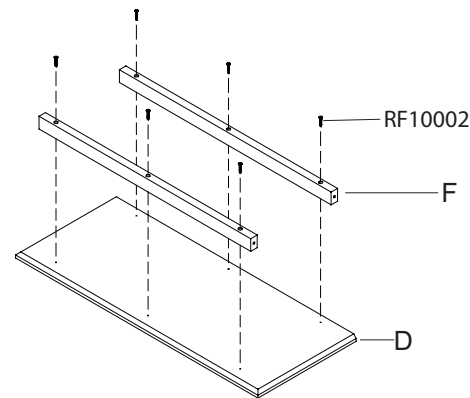


Diagram 3.

Step 3. Attach mantel top crossbars (Part F) into the
mantel top (Part D) by using small screws
(RF10002) as per Diag.3. The side with larger hole
should face away from the top.

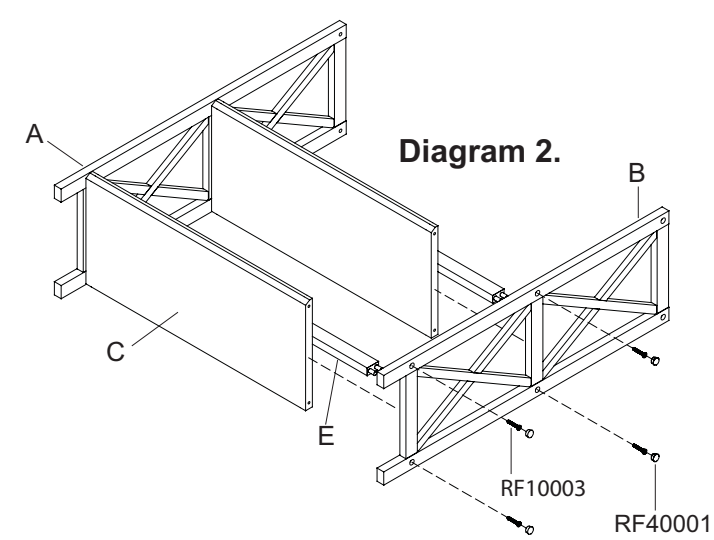


Diagram 2.

Step 2. Attach right panel (Part B) into them by using
screws JCA 1/4" x 32(RF10003).
You may cover up screw holes with the
enclosed wood plugs (RF40001) as per Diag.2.

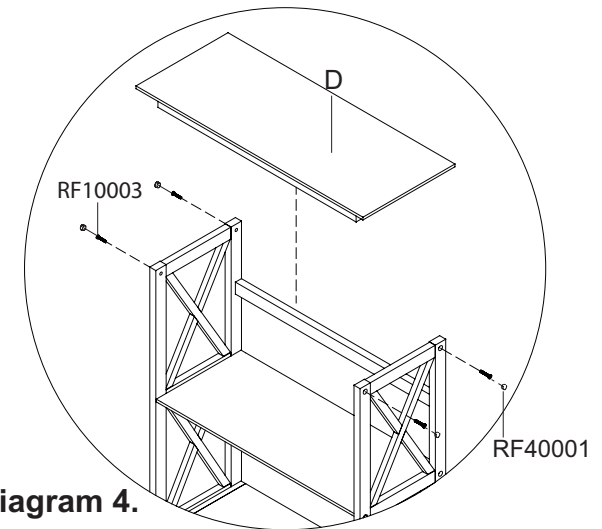


Diagram 4.

Step 4. Lift the mantel top and set it on top of
the bookcase. Fasten with screws
JCA 1/4" x 32(RF10003).
You may cover up screw holes with the
enclosed wood plugs (RF40001). as per Diag.4.