

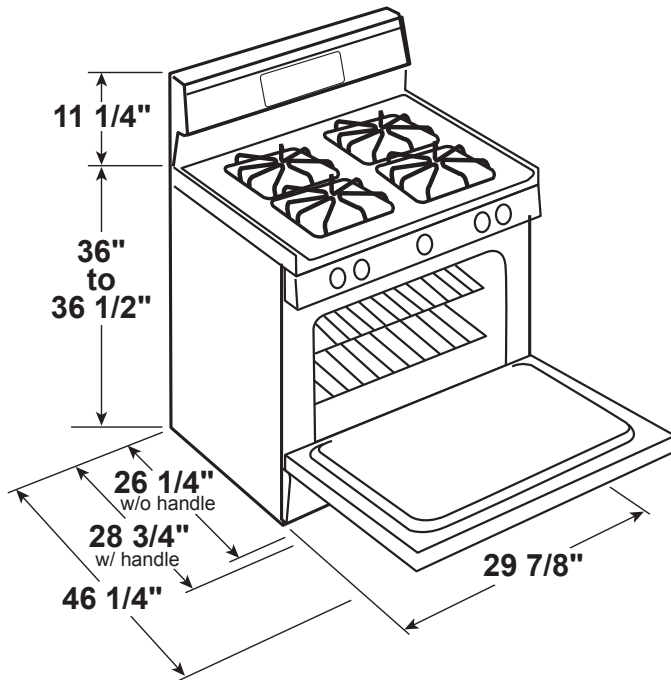
# JGB860SEJ

## GE Appliances 30" Free-Standing Gas Double Oven Convection Range

### DIMENSIONS AND INSTALLATION INFORMATION (IN INCHES)

**ELECTRICAL RATING:** 120V, 60Hz, 15A

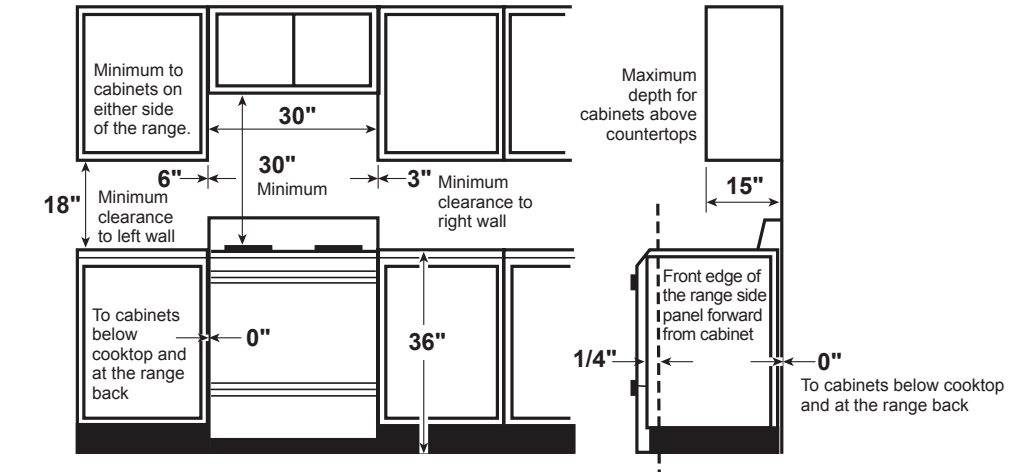
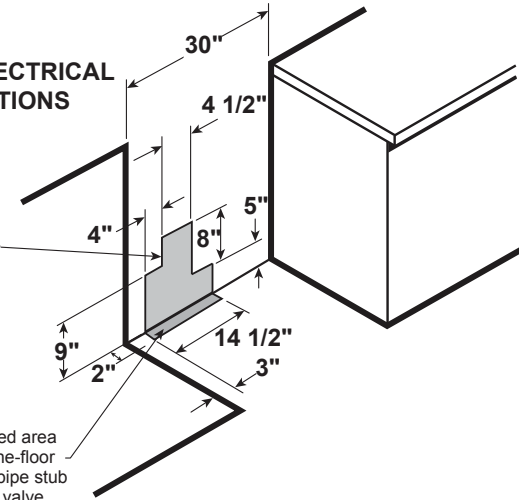
**INSTALLATION INFORMATION:** Before installing, consult installation instructions packed with product for current dimensional data.



### GAS PIPE AND ELECTRICAL OUTLET LOCATIONS

Recommended area for 120V outlet on rear wall and area for through-the-wall connection of pipe stub and shut-off valve.

Recommended area for through-the-floor connection of pipe stub and shut-off valve.



For answers to your Monogram,® GE Profile™ or GE® appliance questions, visit our website at [geappliances.com](http://geappliances.com) or call GE Answer Center® service, 800.626.2000.



All GE ranges are equipped with an Anti-Tip device. The installation of this device is an important, required step in the installation of the range.



# JGB860SEJ

## *GE Appliances 30" Free-Standing Gas Double Oven Convection Range*

### **FEATURES AND BENEFITS**

Edge-to-edge cooktop - A large, continuous cooking surface gives you extra room for pots and pans of all sizes and lets cookware move easily from burner to burner

Extra-large integrated non-stick griddle - Cook up to six grilled cheeses at once on the industry's largest integrated griddle

Gas convection oven (lower oven) - Circulates heat for high-quality results

Double oven 6.8 cu. ft. total capacity - Large capacity is ideal for big meals

18,000 BTU Power Boil burner - Boil water fast with intense heat from this 18,000 BTU burner

Center oval burner - Large oval fifth burner is ideal for griddles

Self-clean with Steam Clean option - Clean your oven the way you want

Precise Simmer burner - Delicate foods don't burn with low, even heat

Heavy cast, dishwasher safe grates - Easily and safely clean grates in the dishwasher

Black gloss oven interior - Enjoy a clean and sleek appearance

Model JGB860SEJSS - Stainless Steel

