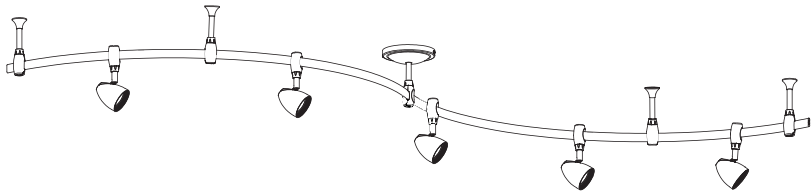




Item # 1002081950
UPC# 847658004659

USE AND CARE GUIDE

5-LIGHT LED FLEXIBLE TRACK LIGHTING KIT (SILVER FINISH)



Questions, problems, missing parts? Before returning to the store,
call Hampton Bay Customer Service
8 a.m. - 7 p.m., EST, Monday – Friday, 9 a.m. – 6 p.m., EST, Saturday

1-855-HD-HAMPTON

HAMPTONBAY.COM

17198NKIT

THANK YOU

We appreciate the trust and confidence you have placed in Hampton Bay through the purchase of this track light kit. We strive to continually create quality products designed to enhance your home. Visit us online to see our full line of products available for your home improvement needs. Thank you for choosing Hampton Bay!

Table of Contents


Table of Contents 2
Safety Information 2
Warranty 2
Pre-Installation..... 3


Installation 5
Flex-to-Flex Adaptor Installation 8
Installation Summary 9


Safety Information

Read all instructions and review the diagrams thoroughly before installing the track system. Save these instructions and refer to them when additions to or changes in the track configuration are made.


1. This track light is rated at 120 volts, 60Hz, 6.2W x 5.
2. Do not cut any track section.
3. Save these instructions and refer to them when additions to or changes in the track configuration are made.


 **WARNING:** Disconnect electrical power before adding to or changing the configuration of the track.


 **WARNING:** Risk of Fire and Electric Shock. This product requires proper field wiring and is intended to be installed by a qualified electrician only.

 **WARNING:** To reduce the risk of fire and electric shock, do not attempt to connect power tools, extension cords, appliances, and the like to the track. Do not attempt to energize anything other than lighting track luminaires on the track.

 **CAUTION:** Do not install this track light kit in damp or wet locations.

 **CAUTION:** Do not install any part of this luminaire less than 5 ft. above the floor.

 **CAUTION:** Do not install any luminaire assembly closer than 6 in. from any curtain, or similar combustible material.

 **CAUTION:** Pendant-mounted track intended to be installed by the stems only are to be mounted by cable; the stems are to be mounted every 1 ft. along the track.

Warranty

LIMITED WARRANTY

The manufacturer warrants this product to be free from defects in materials and workmanship for a period of three (3) years from date of purchase. This warranty applies only to the original consumer purchaser and only to products used in normal use and service. If this product is found to be defective, the manufacturer's only obligation, and your exclusive remedy, is the repair or replacement of the product at the manufacturer's discretion, provided that the product has not been damaged through misuse, abuse, accident, modifications, alterations, neglect, or mishandling. This warranty shall not apply to any product that is found to have been improperly installed, set-up, or used in any way not in accordance with the instructions supplied with the product. This warranty shall not apply to a failure of the product as a result of an accident, misuse, abuse, negligence, alteration, or faulty installation, or any other failure not relating to faulty material workmanship. The manufacturer specifically disclaims any liability and shall not be liable for any consequential or incidental loss or damage, including labor/expense costs involved in the replacement or repair of said product.

Contact the Customer Service Team at 1-855-HD-HAMPTON or visit www.Hamptonbay.com.

Pre-Installation

PLANNING INSTALLATION

Before you begin installation, check to ensure all parts listed in the Hardware Included and Package Contents section are contained within the packaging and that there is no damage to any of the parts.

TOOLS REQUIRED



Power drill



Phillips
screwdriver

HARDWARE INCLUDED



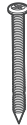
NOTE: Hardware not shown to actual size.



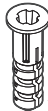
AA



BB



CC



DD

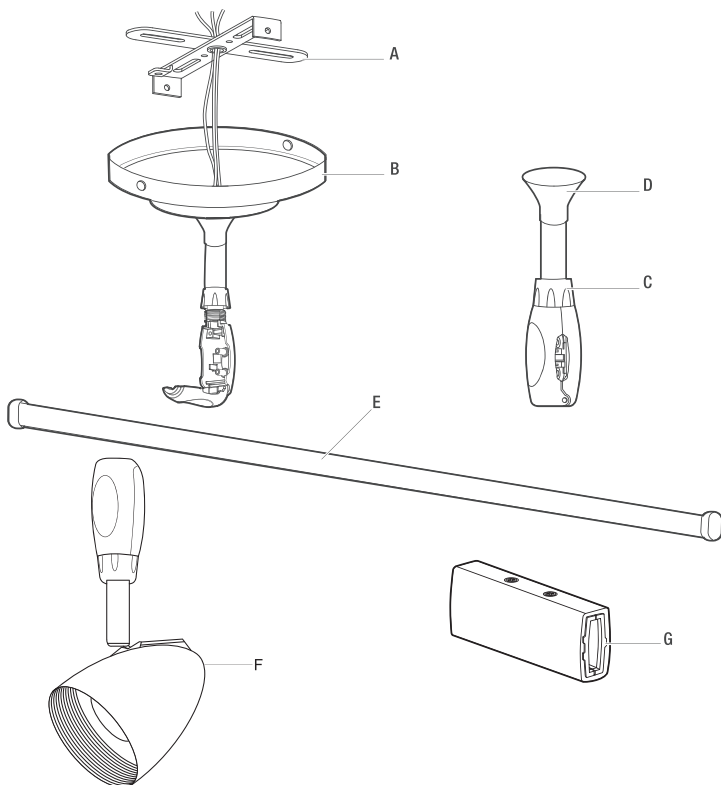


EE

Part	Description	Quantity
AA	Junction Box Screw	2
BB	Wire Connector	3
CC	Wood Screw	4
DD	Plastic Anchor	4
EE	Canopy Screw (Preassembled to Power Feed Stem (B))	2

Pre-Installation (continued)

PACKAGE CONTENTS

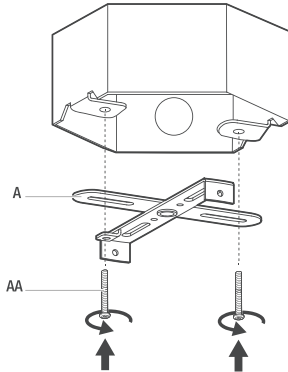


Part	Description	Quantity
A	Mounting Bracket (preassembled to Power Feed Stem (B))	1
B	Power Feed Stem	1
C	Decorative Collar (preassembled to Power Feed Stem (B)/Support Stem (D))	5
D	Support Stem	4
E	8 ft. Track Rail	1
F	Track Head Assembly	5
G	Flex-to-Flex Adaptor	1

Installation

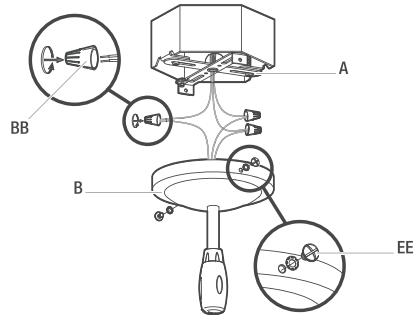
1 Installing the mounting bracket

- Install the preassembled mounting bracket (A) to the junction box by using the junction box screws (AA).



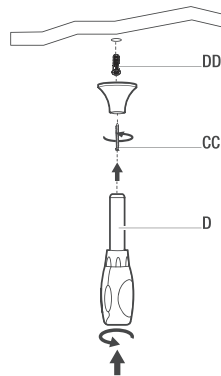
2 Connecting the wires

- Connect the white (neutral) wire from the supply circuit to the white (neutral) wire from the power feed stem (B).
- Connect the black (live) wire from the supply circuit to the black (live) wire from the power feed stem (B).
- Connect the green (ground) wire from the supply circuit to the green (ground) wire from the power feed stem (B).
- Secure the connections with wire connectors (BB) and gently tuck the wires into the outlet box.
- Attach the power feed stem (B) to the mounting bracket (A) using the canopy screws (EE).



3 Installing the support stems

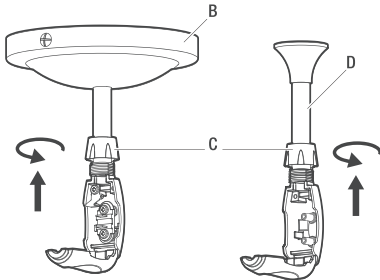
- Determine the location of the support stems (D) in the ceiling, drill holes at the installation locations, and insert the plastic anchors (DD) into the holes.
- Attach the support stems (D) to the ceiling using the wood screws (CC).



Installation (continued)

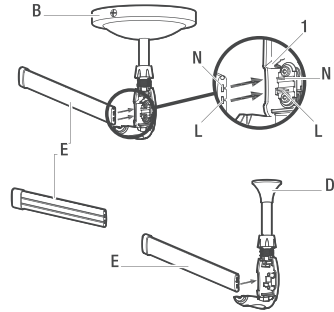
4 Opening the track contacts on the stems

- On the power feed stem (B) and support stems (D), unthread the decorative collar (C) until it disengages from the threads and slides freely on the shaft. One side of the connector will swing open exposing the track contacts.



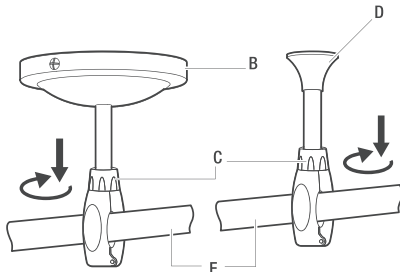
5 Attaching the track rail

- Ensure that the ground side of the track rail (E) (exposed copper wire on top of the track rail) is facing the ceiling.
- Align and insert the contacts on the support stems (D) with the contact channel on the track rail (E), making sure the “N” line contact inserts into the upper channel, the “L” line contact inserts into the lower channel, and the ground tab (1) rests on the copper ground on top of the track rail (E).



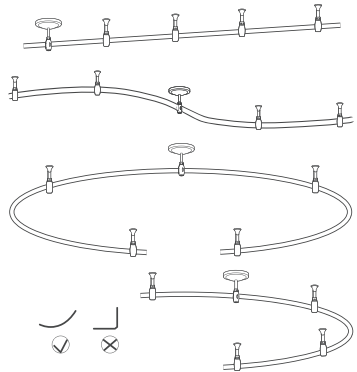
6 Closing the track contacts

- Close the connector tight and rethread the decorative collar (C) to lock the track contacts closed.



7 Shaping the track

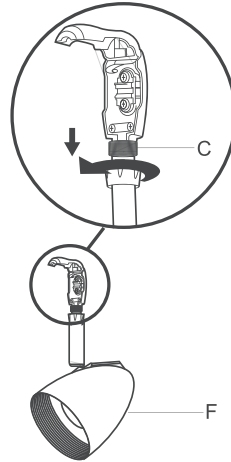
- Refer to the following figure for recommended shapes. Do not make any sharp bends in the track. Do not bend the track more than 90° within an 8 in. portion of the track.



Installation (continued)

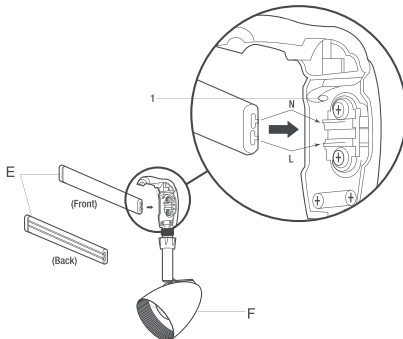
8 Opening the track head

- Unthread the decorative collar (C) on the track head assembly (F) until it disengages from the threads and slides freely on the shaft. One side of the connector will swing open exposing the track contacts.



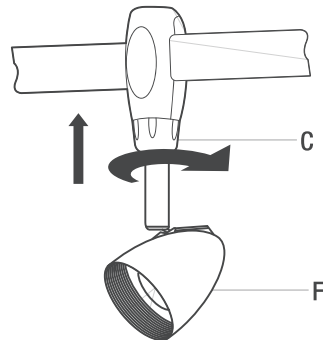
9 Attaching the track head to the track rail

- Align and insert the contacts on the track rail (E), making sure the "N" line contact inserts into the upper channel, the "L" line contact inserts into the lower channel, and the ground tab (1) rests on the copper ground on top of the track rail (E).



10 Locking the track head in place

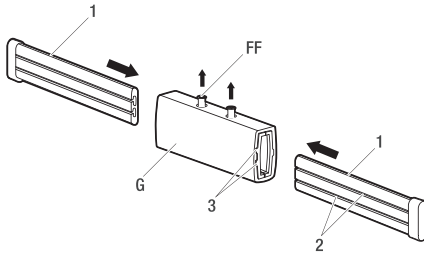
- Close the connector tight and rethread the decorative collar (C) to lock the track contacts on the track head assembly (F) closed.



Flex-to-Flex Adaptor Installation

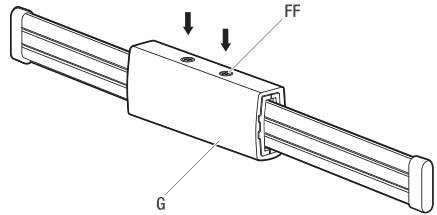
1 Attaching the tracks

- Loosen, but do not remove, the two screws (FF) on the adaptor (G) to allow the track to slide into the adaptor.
- Remove the end caps from the track sections to be joined, one track at a time.
- Properly align the electrical contact tabs inside the adaptor to the corresponding conductors in the track section.
Ensure the ground groove (1) side of the track (exposed copper wire on top of the track) is facing the ceiling. The two track slots (2) will be facing the two groove side (3).



2 Securing the adaptor

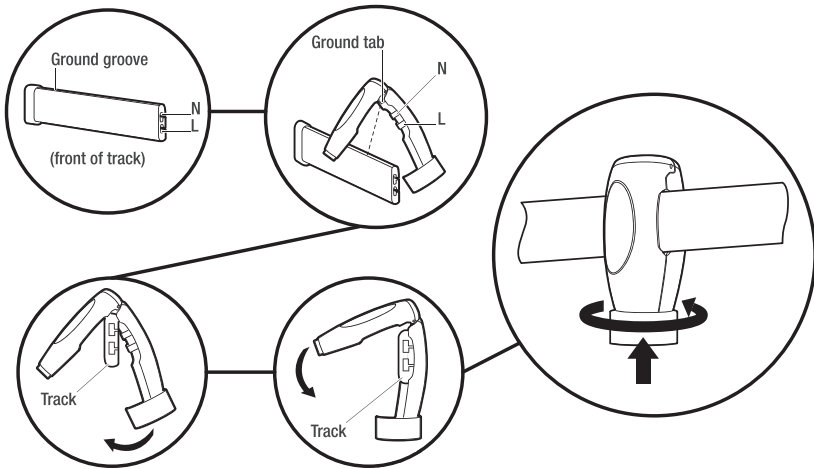
- Tighten the screws (FF) to secure the adaptor (G) to the track.



Installation Summary

DIAGRAM

This diagram summarizes the Installation steps for further reference and ease of understanding.





Questions, problems, missing parts?
Before returning to the store, call Hampton Bay Customer Service
8 a.m. - 7 p.m., EST, Monday – Friday, 9 a.m. – 6 p.m., EST, Saturday

1-855-HD-HAMPTON

HAMPTONBAY.COM

Retain this manual for future use.