



PORTABLE AIR CONDITIONER Owner's Manual.....	1 - 12
CLIMATISEUR PORTABLE Manuel du propriétaire.....	13 - 24
AIRE ACONDICIONADO PORTÁTIL Manual del propietario.....	25 - 36

MODEL • MODÈLE • MODELO DPA120E3WDB-6 DPA140E3WDB-6
--

Welcome

Welcome to the Danby family. We are proud of our quality products and we believe in dependable service. We suggest that you read this owner's manual before plugging in your new appliance as it contains important operation information, safety information, troubleshooting and maintenance tips to ensure the reliability and longevity of your appliance.

Visit www.Danby.com to access self service tools, FAQs and much more. For additional assistance call **1-800-263-2629**.

Note the information below; you will need this information to obtain service under warranty.

You must provide the original purchase receipt to validate your warranty and receive service.

Model Number: _____

Serial Number: _____

Date of Purchase: _____

Need Help?

Before you call for service, here are a few things you can do to help us serve you better.

Read this owner's manual:

It contains instructions to help you use and maintain your appliance properly.

If you receive a damaged appliance:

Immediately contact the retailer or builder that sold you the appliance.

Save time and money:

Check the troubleshooting section at the end of this manual before calling. This section will help you solve common problems that may occur.



1-800-26- Danby
(1-800-263-2629)



Important Safety Information

READ AND FOLLOW ALL SAFETY INSTRUCTIONS

SAFETY REQUIREMENTS

This appliance is not intended for use by persons (including children) whose physical, sensory or mental capabilities may be different or reduced, or who lack experience or knowledge, unless such persons receive supervision or training to operate the appliance by a person responsible for their safety.

Children should be supervised to ensure that they do not play with the appliance.

To avoid risk of electric shock, do not operate this appliance in an area that is likely to accumulate standing water. If this condition develops, disconnect the power supply before stepping into the water.

Do not store or use combustible materials such as gasoline or other flammable vapors or liquids in the vicinity of this or any other appliance.

Do not insert fingers or other objects into grills or openings in the appliance.

Do not cover or block the intake and exhaust openings.

Do not operate the appliance without the filter installed.

Do not operate the appliance near heat sources.

This appliance is intended for indoor, residential applications only. Do not use this appliance outdoors. Do not use this appliance for commercial or industrial applications.

If the air conditioner is transported on its back or side, it must be allowed to stand upright for 6 hours before plugging in to avoid damage to internal components.

Keep the appliance away from walls, furniture and curtains with a clearance of at least 30 cm (12 inches) on all sides.

GROUNDING INSTRUCTIONS

This appliance must be grounded. Grounding reduces the risk of electrical shock by providing an escape wire for the electrical current.

This appliance has a cord that has a grounding wire with a 3-prong plug. The power cord must be plugged into an outlet that is properly grounded. If the outlet is a 2-prong wall outlet, it must be replaced with a properly grounded 3-prong wall outlet. The serial rating plate indicates the voltage and frequency the appliance is designed for.

WARNING - Improper use of the grounding plug can result in a risk of electric shock. Consult a qualified electrician or service agent if the grounding instructions are not completely understood, or if doubt exists as to whether the appliance is properly grounded.

Do not connect the appliance to extension cords, adapters or together with another appliance in the same wall outlet.

Do not splice the power cord. Do not under any circumstances cut or remove the third ground prong from the power cord.

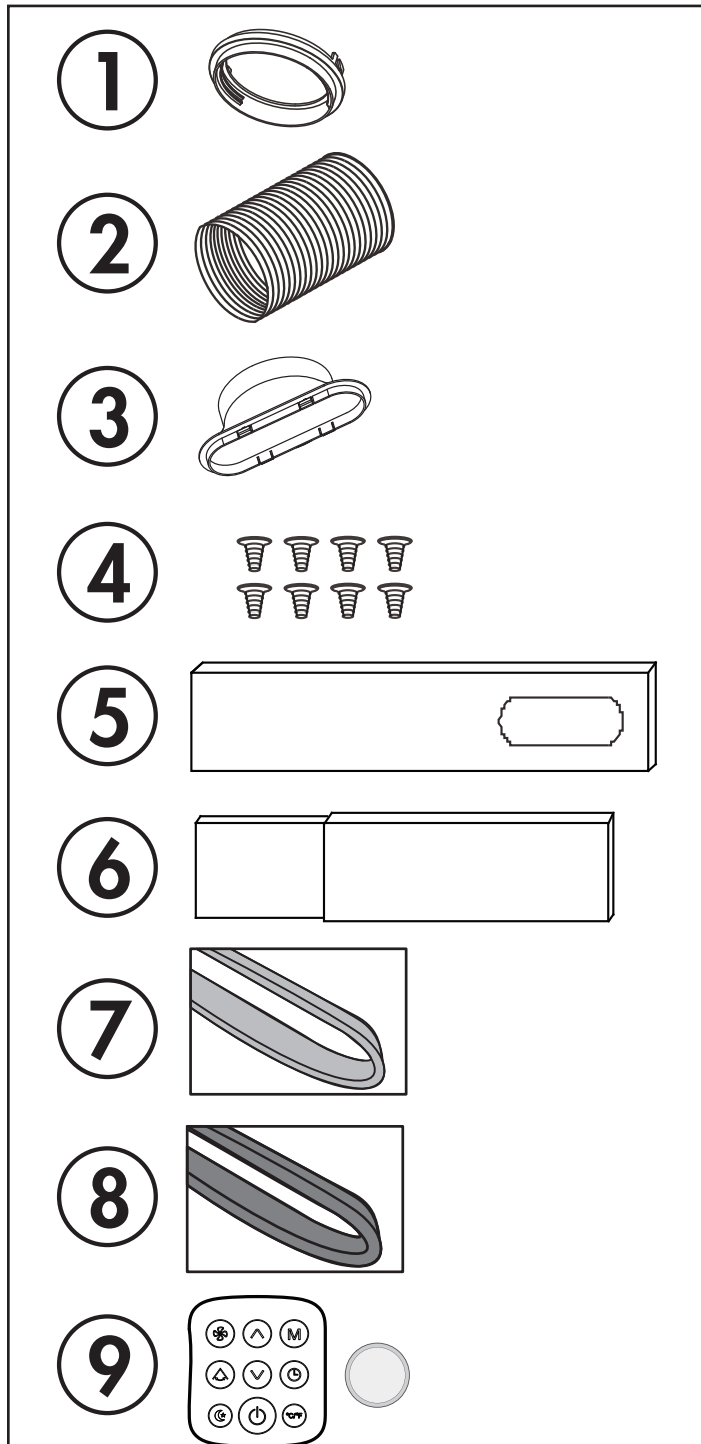
If the power supply cord is damaged, it must be replaced by the manufacturer, its service agent or similar qualified person in order to avoid hazard.

SAVE THESE INSTRUCTIONS!

INSTALLATION INSTRUCTIONS

ACCESSORIES

1. Air outlet adapter
2. Exhaust hose
3. Window slider adapter
4. 8 Bolts
5. Window slider A
6. Window slider B and C
7. Foam seal A and B (adhesive)
8. Foam seal C (non-adhesive)
9. Remote control and batteries

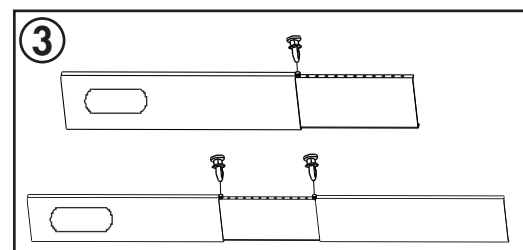
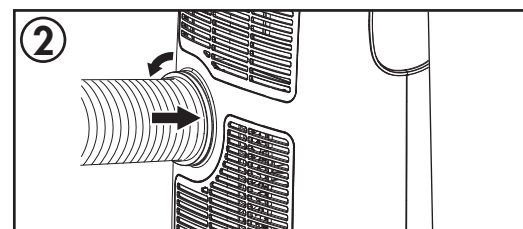
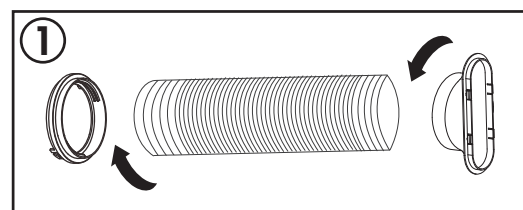


REQUIRED TOOLS

1. Medium sized Phillips screwdriver
2. Tape measure or ruler
3. Knife or scissors
4. Saw (in the event that the window sliders need to be cut to size)

ASSEMBLING THE WINDOW KIT

1. Attach the air outlet adapter and the window slider adapter onto either end of the exhaust hose.
2. Insert the air outlet adapter into the back of the appliance by placing over the air exhaust and then twisting in the direction of the arrow to lock into place.
3. Measure the window opening where the window kit will be installed. Assemble as many sliders as necessary to fit the window.
4. If the length of the window requires all three sliders, use two bolts to fasten the sliders at the correct length.
5. If the window opening is less than the minimum length of a single slider, use the slider that has the hole in it and cut it to the correct length. Make sure not to cut the end that has the hole as this is necessary to attach the exhaust hose adapter.



INSTALLATION INSTRUCTIONS

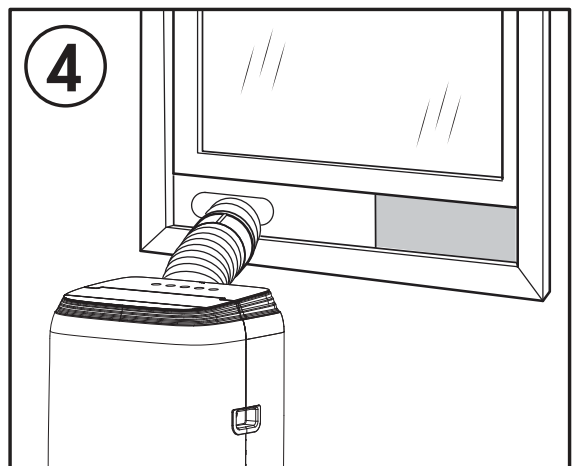
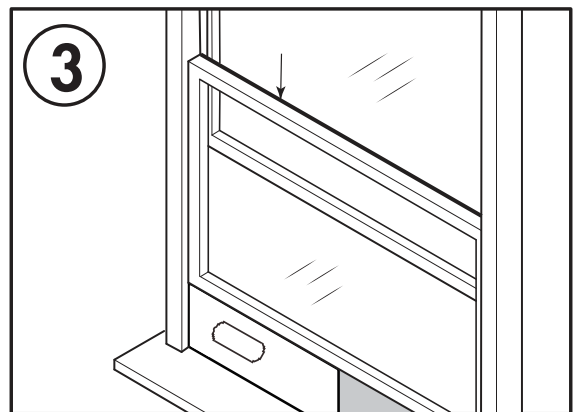
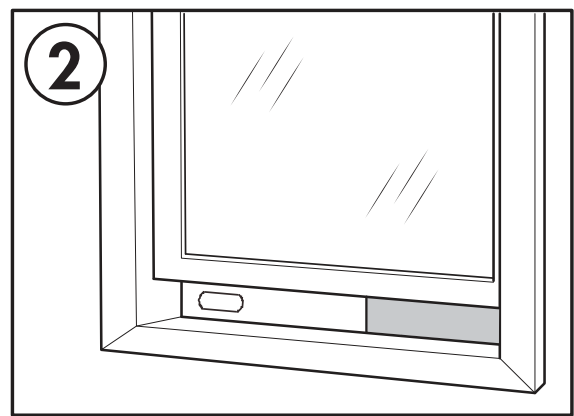
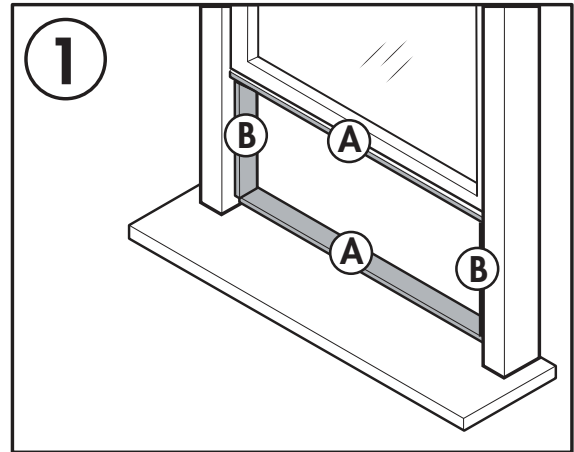
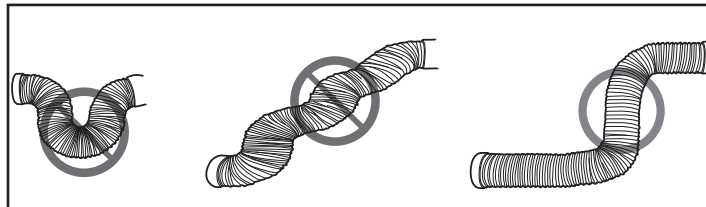
INSTALLING THE WINDOW KIT

The window kit can be used in either a hung window or a sliding window application. The images at the right are for a hung window. The steps for a sliding window are the same.

1. Cut the adhesive foam seals A and B to the correct length for the window. Attach them to the window sash and frame as shown.
2. Insert the assembled window slider kit into the window opening.
3. Cut the non-adhesive foal seal C to match the width of the window. Insert the foam seal between the glass and the window frame to prevent air and insects from getting into the room.
4. Attach the window slider adapter to the hole in the window slider kit.

Note: It may be easier to attach the window slider adapter to the window slider kit before placing the kit in the window.

Note: Do not over extend or bend the hose as this will impede air flow.

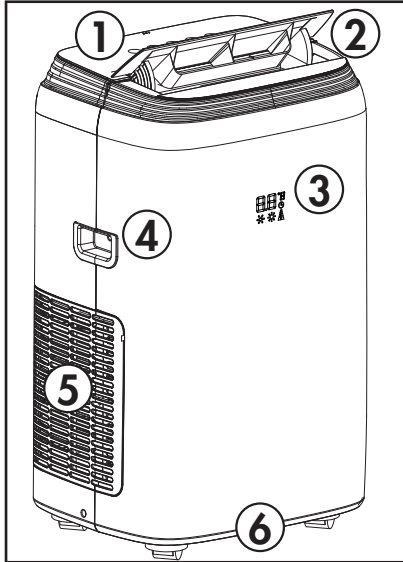


OPERATING INSTRUCTIONS

FEATURES

Front

1. Control panel
2. Louver
3. Display
4. Handle (both sides)
5. Air intake
6. Casters



LOCATION

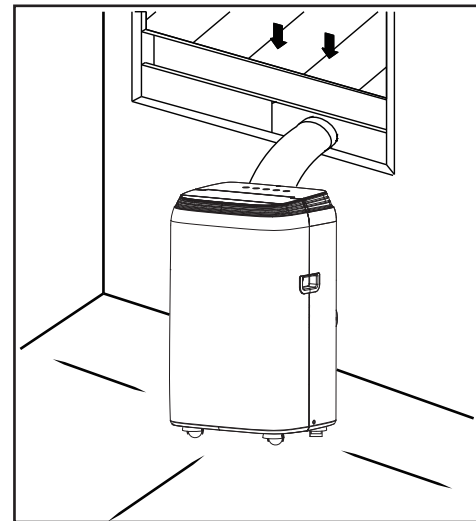
Place the air conditioner on a smooth, level floor that is strong enough to support it and all included accessories.

Make sure the appliance is level to minimize noise and vibration.

The appliance must be installed near a grounded receptacle and the overflow drain outlet on the rear of the appliance must be accessible.

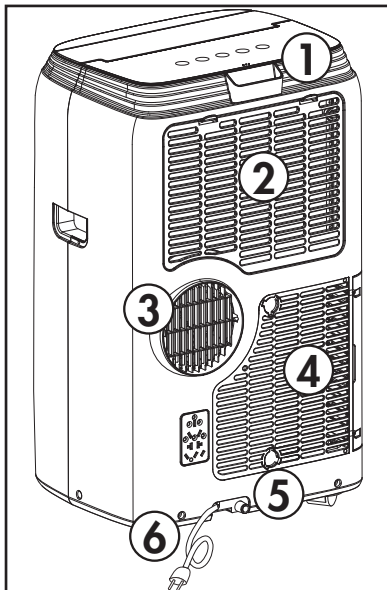
Do not cover air inlets or outlets or the remote control receiver on the control panel.

The appliance requires 45 cm (17.7 inches) of clearance on the front and sides.

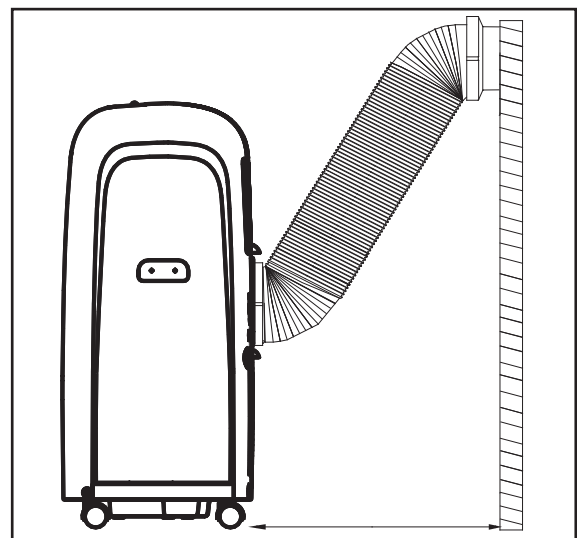


Rear

1. Remote control holder
2. Air intake
3. Air outlet
4. Air intake
5. Drain
6. Power cord

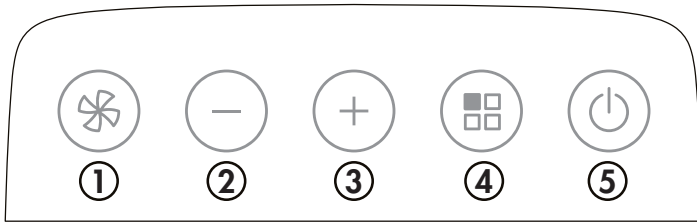


The appliance requires at least 50 cm (20 inches) of clearance on the back.



OPERATING INSTRUCTIONS

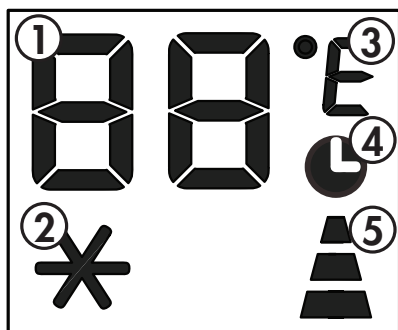
CONTROL PANEL



- 1. Fan button:** Used to set the fan speed; low, medium, high and auto.
- 2. Decrease button:** Used to decrease the set temperature.
- 3. Increase button:** Used to increase the set temperature.
- 4. Mode button:** Used to choose the mode; cool, fan or dry. Press and hold the mode button for 20 seconds to change the temperature scale between Celsius and Fahrenheit.
- 5. Power button:** Used to turn the appliance on or off.

Note: Certain functions can only be accessed through the remote control.

DISPLAY PANEL



1. Temperature, time and icon display
2. Cool mode indicator
3. Temperature scale indicator
4. Timer indicator
5. Fan speed indicator
 - Low fan is indicated by one bar.
 - Medium fan is indicated by two bars.
 - High fan is indicated by three bars.
 - Auto fan speed is indicated by cycling bars.

OPERATING MODES

Cool Mode

Choose cool mode to set the cooling function.

- Press the mode button until the snowflake icon appears on the display.
- Use the increase and decrease buttons to choose the desired temperature.
- Use the fan button to choose the desired fan speed.
- The temperature can be set within a range of 18 - 32°C (64 - 90°F).
- The exhaust hose should be installed during cool mode to ensure the best results.

Dry Mode

Choose dry mode to remove excess moisture from the air during periods of high humidity.

- Press the mode button until the "dh" symbol appears on the display.
- The fan speed will be set to auto.
- The exhaust hose should be installed during cool mode to ensure the best results.
- It may be necessary to install the continuous drain hose during dry mode to remove excess water.

Fan Mode

Choose fan mode to run the internal fan without engaging the cooling function.

- Press the mode button until the fan icon appears on the display.
- Press the fan button to choose the desired fan speed: low, medium or high.
- The exhaust hose does not need to be installed during fan mode.

OPERATING INSTRUCTIONS

TIMER FUNCTION

The timer function can be used to turn the appliance on or off after a period of time to conserve energy. The timer function can only be activated by the remote control.

To set the timer to turn the appliance off:

1. While the appliance is running, press the timer button. The time display will flash.
2. Press the timer button to choose the number of hours before the appliance will turn off.
3. Wait 5 seconds to confirm the setting. The timer icon will show on the display panel.

To set the timer to turn the appliance on:

1. Turn the appliance on and choose the desired mode and settings. Turn the appliance off.
2. While the appliance is turn off, press the timer button. The time display will flash.
3. Press the timer button to choose the number of hours before the appliance will turn on.
4. Wait 5 seconds to confirm the setting. The timer icon will show on the display panel.

Notes: Turning the appliance on or off at any time or adjusting the timer setting to 0 hours will cancel the timer settings

SLEEP FUNCTION

The sleep function can be used to conserve energy during sleeping hours. The sleep function can only be used during cool mode.

When selected, the set temperature will increase by 1 degree per hour for 2 hours. The appliance will hold the new set temperature for 6 hours before automatically returning to normal operation.

The sleep function can only be activated with the remote control and can be canceled at any time by pressing the sleep button.

REMOTE CONTROL



1. **Fan button:** Used to set the fan speed; low, medium, high or auto.
2. **Increase button:** Used to increase the set temperature.
3. **Mode button:** Used to choose the mode; cool, fan or dry.
4. **Swing button:** Used to set the angle of the louver on the top of the appliance.
 - Press once to begin the swing function.
 - Press a second time to stop the louver when it has reached the desired angle.
5. **Decrease button:** Used to decrease the set temperature.
6. **Timer button:** Used to set the timer function.
7. **Sleep button:** Used to set the sleep function.
8. **Power button:** Used to turn the appliance on or off.
9. **°C/°F button:** Used to change the temperature scale between Celsius and Fahrenheit.

Note: The remote control will function within a range of 7 meters (23 feet) of the appliance.

OPERATING INSTRUCTIONS

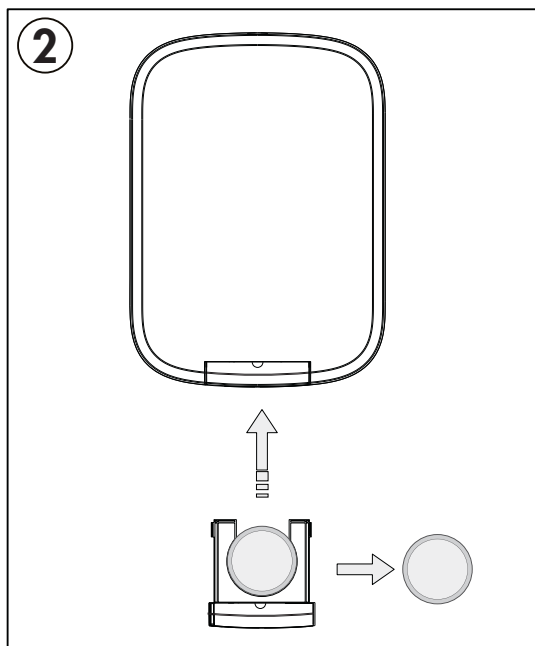
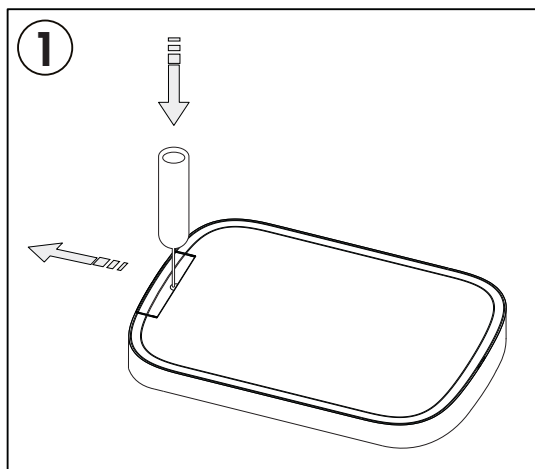
REMOTE CONTROL BATTERIES

The remote control will ship with a battery already installed. To use the remote for the first time, remove the transparent insulating strip from the battery housing by gently pulling it out.

The remote control uses battery type CR2025.

To replace the remote battery, follow the steps below:

1. Use a pin or similar item to press into the hole on the battery cover on the back of the remote control. While pressing down with the pin, push the battery cover out.
2. Remove the old battery from the battery cover and replace with a new battery of the same type. Replace the battery cover in the remote control by pushing inward until it clicks into place.



This equipment has been tested and found to comply with the limits for a Class B digital device, pursuant to Part 15 of the FCC Rules. These limits are designed to provide reasonable protection against harmful interference in a residential installation. This equipment generates, uses and can radiate radio frequency energy and, if not installed and used in accordance with the instructions, may cause harmful interference to radio communications. However, there is no guarantee that interference will not occur in a particular installation.

If this equipment does cause harmful interference to radio or television reception, which can be determined by turning the equipment off and on, the user is encouraged to try to correct the interference by one or more of the following measures:

1. Reorient or relocate the receiving antenna
2. Increase the separation between the equipment and receiver
3. Connect the equipment into an outlet on a circuit different from that to which the receiver is connected
4. Consult the dealer or an experienced radio/TV technician for help

Changes or modifications not approved by the party responsible for FCC compliance could void the user's authority to operate the equipment. This appliance complies with Part 15 of the FCC Rules.

Operation is subject to the following conditions:

1. This device may not cause harmful interference.
2. This device must accept any interference received, including interference that may cause undesired operation.

This device complies with Canadian CAN ICES-3 (B) / NMB-3 (B)

IMPORTANT

Do not dispose of batteries as unsorted municipal waste. Refer to local laws for proper disposal of batteries.

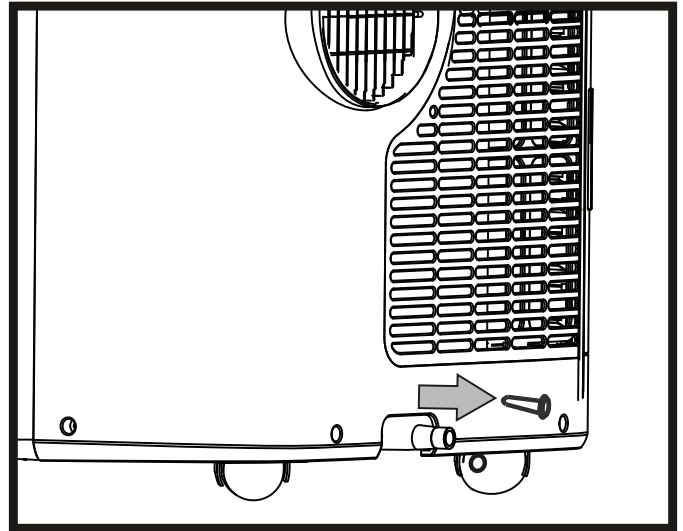
OPERATING INSTRUCTIONS

WATER DRAINAGE

When the internal drain pan becomes full the appliance will stop operating and the display will show error code "Ft". The air conditioning or dehumidifying action will stop but the fan may continue to operate.

Drain Plug

1. Turn the appliance off and unplug it from the power source.
2. Carefully move the appliance to a location where the water can be drained.
3. Remove the drain plug and allow the water to completely drain.
4. Replace the bottom drain plug, pressing firmly to ensure a tight fit and no leaks.
5. The "Ft" error symbol will disappear and the appliance will resume regular function once power is restored.



CARE & MAINTENANCE

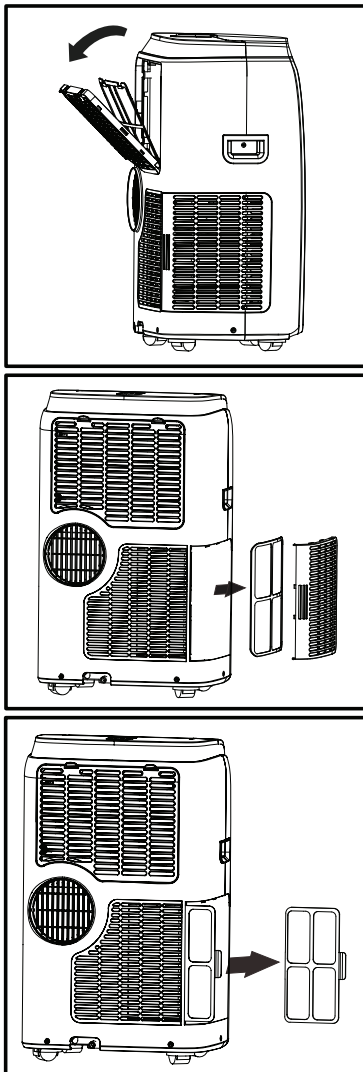
CLEANING

- Unplug the appliance before cleaning or servicing.
- Clean the cabinet with a lukewarm damp cloth and neutral detergent. Dry the cabinet with a lint-free dry cloth.
- Do not use gasoline, paint thinner or other chemicals to clean the appliance.
- Do not wash the appliance directly under a tap or using a hose. It may cause electrical damage.

AIR FILTER

There are three filters in this appliance that should be cleaned every two weeks to ensure efficient performance.

In households with animals, the air filters may need to be cleaned more often and the external grills may need to be wiped to prevent blocked air flow.



LONG-TERM STORAGE

1. Drain all water from the appliance.
2. Run the appliance on fan mode for half a day in a warm room to dry the inside of the appliance and prevent mold formation.
3. Turn off the appliance and unplug it, wrap the cord and bundle it with tape.
4. Remove the battery from the remote control.
5. Clean the air filters and reinstall them.
6. Store the appliance in a cool, dark place. Prolonged exposure to direct sunlight or extreme heat can shorten the lifespan of the appliance.

DISPOSAL

This appliance should not be treated as regular household waste. Check for local regulatory compliance regarding the approved and safe disposal of this appliance.

Do not dispose of batteries as unsorted municipal waste. Refer to local laws for proper disposal of batteries.

ERROR CODES

Lt - low temperature - the appliance will pause functioning if ice forms on the internal structure; the appliance will resume normal functioning automatically when the ice melts

PF - sensor failure - unplug the appliance for 5 minutes to reset the internal sensors; if the error code persists after plugging the appliance back in, please contact consumer care for servicing information

Ft - water tray is full - attach drain hose and drain excess water

TROUBLESHOOTING

Danby Consumer Care: 1-800-263-2629 or consumerservice@danby.com

Hours of operation:

Monday to Thursday 8:30 am - 6:00 pm Eastern Standard Time

Friday 8:30 am - 4:00 pm Eastern Standard Time

Information in this manual is subject to change without notice.

PROBLEM	POSSIBLE CAUSE
Appliance will not operate	<ul style="list-style-type: none">• Plug is not fully inserted into the wall outlet• Blown fuse or circuit breaker
Insufficient cooling	<ul style="list-style-type: none">• Air filters are dirty• Blocked air flow• Appliance size is too small for application
Noise	<ul style="list-style-type: none">• The ground is not level• Air filters are dirty• Gurgling sounds are normal; this is the refrigerant moving inside the appliance
Odors	<ul style="list-style-type: none">• Formation of mold or mildew on internal wet surfaces• Place an algaecide tablet in base pan; push the tablet through the grill on the back of the appliance

LIMITED "IN HOME" WARRANTY

This quality product is warranted to be free from manufacturer's defects in material and workmanship, provided that the unit is used under the normal operating conditions intended by the manufacturer.

This warranty is available only to the person to whom the unit was originally sold by Danby Products Limited (Canada) or Danby Products Inc. (U.S.A.) (hereafter "Danby") or by an authorized distributor of Danby, and is non-transferable.

TERMS OF WARRANTY

Plastic parts are warranted for thirty (30) days from the date of purchase, with no extensions provided.

First 12 months During the first **twelve (12) months**, any functional parts of this product found to be defective, will be repaired or replaced, at warrantor's option, at no charge to the original purchaser.

To obtain service Contact the dealer where the unit was purchased, or contact the nearest authorized Danby service depot, where service must be performed by a qualified service technician. If service is performed on the unit by anyone other than an authorized service depot, all obligations of Danby under this warranty shall be void.

Boundaries of in-home service Danby reserves the right to limit the boundaries of "In Home Service" to the proximity of an authorized service depot. Any appliance requiring service outside the limited boundaries of "In Home Service", will be the consumer's responsibility to transport at their own expense to the original point of purchase or a service depot for repair. If the appliance is installed in a location that is **100 kilometers (62 miles)** or more from the nearest service center, it must be delivered to the nearest authorized Danby Service Depot by the purchaser.

Transportation charges to and from the service location are not protected by this warranty and are the responsibility of the purchaser.

Nothing within this warranty shall imply that Danby will be responsible or liable for any spoilage or damage to food or other contents of this appliance, whether due to any defect of the appliance, or its use, whether proper or improper.

EXCLUSIONS

Save as herein provided, by Danby, there are no other warranties, conditions, representations or guarantees, express or implied, made or intended by Danby or its authorized distributors and all other warranties, conditions, representations or guarantees, including any warranties, conditions, representations or guarantees under any Sale of Goods Act or like legislation or statute is hereby expressly excluded. Save as herein provided, **Danby shall not be responsible for any damages to persons or property, including the unit itself, howsoever caused or any consequential damages arising from the malfunction of the unit and by the purchase of the unit, the purchaser does hereby agree to indemnify and hold harmless Danby from any claim for damages to persons or property caused by the unit.**

GENERAL PROVISIONS

No warranty or insurance herein contained or set out shall apply when damage or repair is caused by any of the following:

- 1) Power failure.
- 2) Damage in transit or when moving the appliance.
- 3) Improper power supply such as low voltage, defective house wiring or inadequate fuses.
- 4) Accident, alteration, abuse or misuse of the appliance such as inadequate air circulation in the room or abnormal operating conditions (ie. extremely high or low room temperature).
- 5) Use for commercial or industrial purposes (ie. If the appliance is not installed in a domestic residence).
- 6) Fire, water damage, theft, war, riot, hostility, acts of God such as hurricanes, floods etc.
- 7) Service calls resulting in customer education.
- 8) Improper Installation (ie. Building-in of a free standing appliance or using an appliance outdoors that is not approved for outdoor application, including but not limited to: garages, patios, porches or anywhere that is not properly insulated or climate controlled).

Proof of purchase date will be required for warranty claims; retain bills of sale. In the event that warranty service is required, present the proof of purchase to our authorized service depot.

**Warranty Service
In Home**

Danby Products Limited
PO Box 1778, Guelph, Ontario, Canada N1H 6Z9
Telephone: (519) 837-0920 FAX: (519) 837-0449

**1-800-263-2629
04/17**

Danby Products Inc.
PO Box 669, Findlay, Ohio, U.S.A. 45840
Telephone: (419) 425-8627 FAX: (419) 425-8629

Bienvenue

Bienvenue à la famille Danby. Nous sommes fiers de la qualité de nos produits et nous croyons en le service fiable. Nous vous suggérons de lire ce manuel d'utilisation avant de brancher votre nouvel appareil car il contient des informations importantes sur l'utilisation, la sécurité, le dépannage et la maintenance, afin d'assurer la fiabilité et la longévité de votre appareil.

Visitez **www.Danby.com** pour accéder aux outils d'autoservice, aux FAQ et bien plus encore. Pour obtenir de l'aide supplémentaire, composez **1-800-263-2629**.

Notez les informations ci-dessous; Vous aurez besoin de cette information pour obtenir un service sous garantie.

Vous devez fournir le reçu d'achat original pour valider votre garantie et recevoir le service.

Numéro de modèle: _____

Numéro de serie: _____

Date d'achat: _____

Besoin d'assistance?

Avant d'appeler pour service, voici quelques choses que vous pouvez faire pour nous aider à mieux vous servir.

Lire ce manuel du propriétaire:

Il contient des instructions pour vous aider à utiliser et à maintenir votre appareil correctement.

Si vous recevez un appareil endommagé:

Contactez immédiatement le revendeur ou l'entrepreneur qui vous a vendu l'appareil.

Gagnez du temps et de l'argent:

Avant d'appeler pour service, consultez la section de dépannage à la fin de ce manuel. Cette section vous aidera à résoudre les problèmes courants pouvant survenir.



1-800-26- Danby
(1-800-263-2629)



Informations importantes de sécurité

LIRE ET SUIVRE TOUTES LES INSTRUCTIONS DE SÉCURITÉ

EXIGENCES DE SÉCURITÉ

Cet appareil n'est pas destiné à être utilisé par des personnes (y compris des enfants) dont les capacités physiques, sensorielles ou mentales peuvent être différentes ou réduites, ou qui n'ont pas d'expérience ou de connaissances, à moins que ces personnes ne soient surveillées ou formées pour faire fonctionner l'appareil par une personne responsable de leur sécurité.

Les enfants devraient être surveillés pour s'assurer qu'ils ne jouent pas avec l'appareil.

Pour éviter tout risque de choc électrique, ne pas utiliser cet appareil dans une zone susceptible d'accumuler de l'eau stagnante. Si cette condition se développe, débranchez l'alimentation avant de pénétrer dans l'eau.

Ne pas stocker ou utiliser des matériaux combustibles tels que de l'essence ou d'autres vapeurs ou liquides inflammables à proximité de ce ou d'un autre appareil.

Ne pas insérer de doigts ou d'autres objets dans des grilles ou des ouvertures dans l'appareil.

Ne pas couvrir ou bloquer les ouvertures d'admission et d'échappement.

N'utilisez pas l'appareil sans le filtre installé.

N'utilisez pas l'appareil à proximité de sources de chaleur.

Cet appareil est destiné uniquement à des applications résidentielles et intérieures. N'utilisez pas cet appareil à l'extérieur. N'utilisez pas cet appareil pour des applications commerciales ou industrielles.

Si le climatiseur est transporté sur son dos ou sur son côté, il doit être maintenu debout pendant 6 heures avant de brancher pour éviter d'endommager les composants internes.

Gardez l'appareil à l'écart des murs, des meubles et des rideaux avec un jeu d'au moins 30 cm (12 pouces) sur tous les côtés.

INSTRUCTIONS DE MISE À LA TERRE

Cet appareil doit être mis à la terre. La mise à la terre réduit le risque de choc électrique en fournissant un câble d'échappement pour le courant électrique.

Cet appareil possède un cordon doté d'un fil de mise à la terre avec une fiche à 3 broches. Le cordon d'alimentation doit être branché sur une prise correctement mise à la terre. Si la sortie est une prise murale à 2 broches, elle doit être remplacée par une prise murale à 3 broches correctement mise à la terre. La plaque signalétique en série indique la tension et la fréquence auxquelles l'appareil est conçu.

AVERTISSEMENT - L'utilisation incorrecte de la fiche de mise à la terre peut entraîner un risque d'électrocution. Consultez un électricien qualifié ou un agent de service si les instructions de mise à la terre ne sont pas complètement comprises ou s'il existe un doute quant à savoir si l'appareil est correctement mis à la terre.

Ne branchez pas l'appareil à des rallonges, des adaptateurs ou à un autre appareil dans la même prise murale.

Ne pas épisser le cordon d'alimentation. Ne coupez ou retirez en aucun cas la troisième broche du cordon d'alimentation.

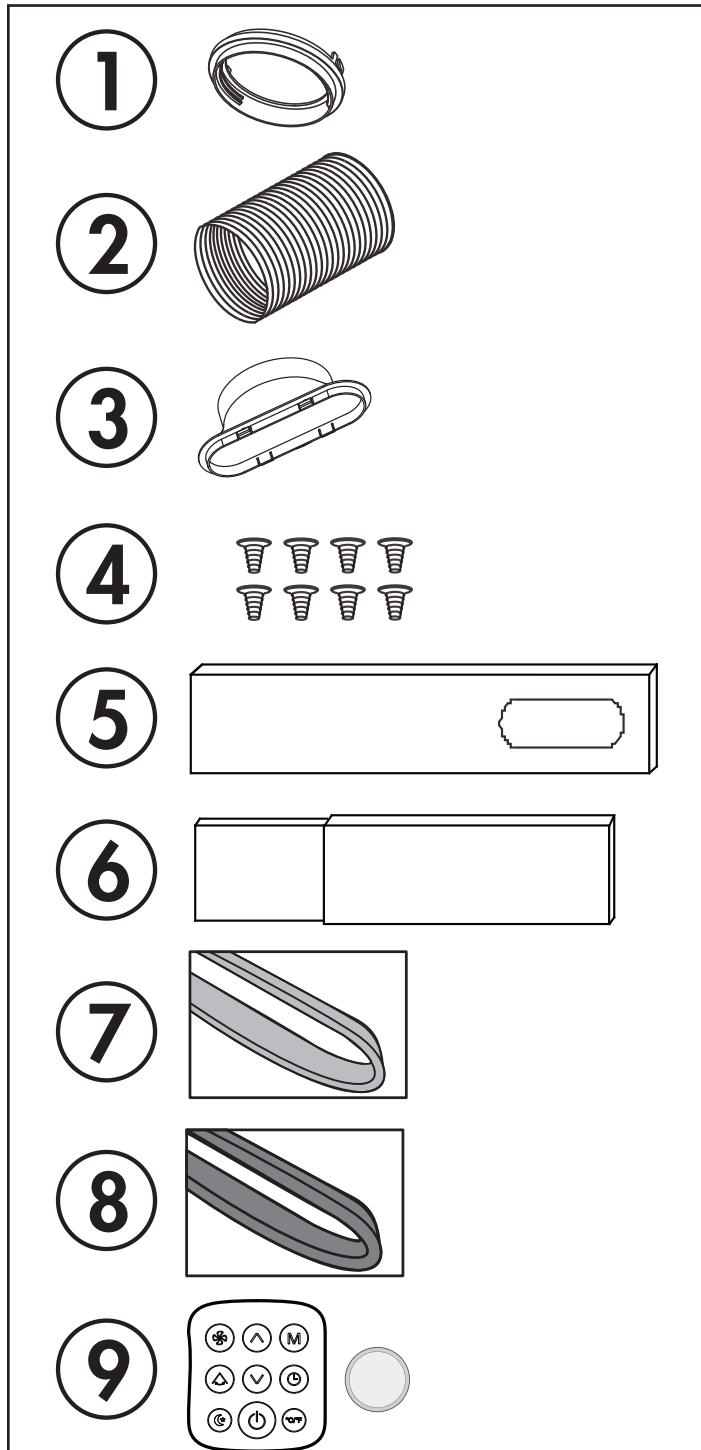
Si le cordon d'alimentation est endommagé, il doit être remplacé par le fabricant, son agent de maintenance ou une personne qualifiée similaire afin d'éviter tout risque.

GARDEZ CES INSTRUCTIONS!

INSTRUCTIONS D'INSTALLATION

ACCESSOIRES

1. Adaptateur de sortie d'air
2. Tuyau d'échappement
3. Adaptateur de glissière de fenêtre
4. 8 boulons
5. Curseur de fenêtre A
6. Curseur de fenêtre B et C
7. Joint en mousse A et B (adhésif)
8. Joint en mousse C (non adhésif)
9. Télécommande et batteries

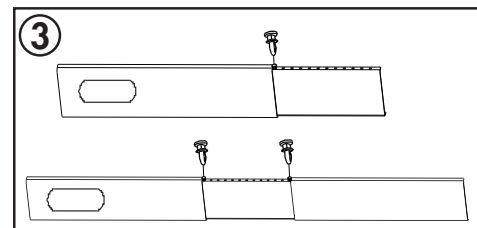
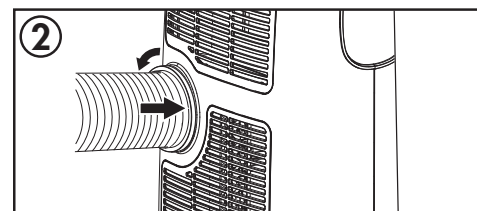
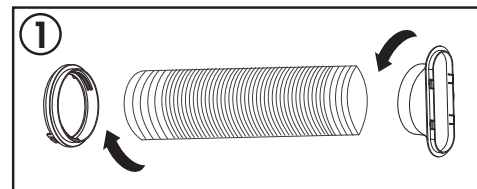


OUTILS REQUIS

1. Tournevis Phillips de taille moyenne
2. Ruban à mesurer ou règle
3. Couteau ou ciseaux
4. Scie (dans le cas où les curseurs de fenêtre doivent être coupés en taille)

ASSEMBLAGE DU TROUSSE DE FENÊTRE

1. Fixez l'adaptateur de sortie d'air et l'adaptateur de glissière de fenêtre à l'une des extrémités du tuyau d'échappement.
2. Insérez l'adaptateur de sortie d'air à l'arrière de l'appareil en plaçant sur l'échappement d'air, puis en le tournant dans le sens de la flèche pour le verrouiller.
3. Mesurer l'ouverture de la fenêtre où le kit de fenêtre sera installé. Assemblez autant de curseurs que nécessaire pour s'adapter à la fenêtre.
4. Si la longueur de la fenêtre nécessite les trois curseurs, utilisez deux boulons pour fixer les curseurs à la longueur correcte.
5. Si l'ouverture de la fenêtre est inférieure à la longueur minimale d'un curseur, utilisez le curseur comportant le trou et coupez-le à la longueur appropriée. Veillez à ne pas couper l'extrémité comportant le trou car cela est nécessaire pour fixer l'adaptateur de tuyau d'échappement.



INSTRUCTIONS D'INSTALLATION

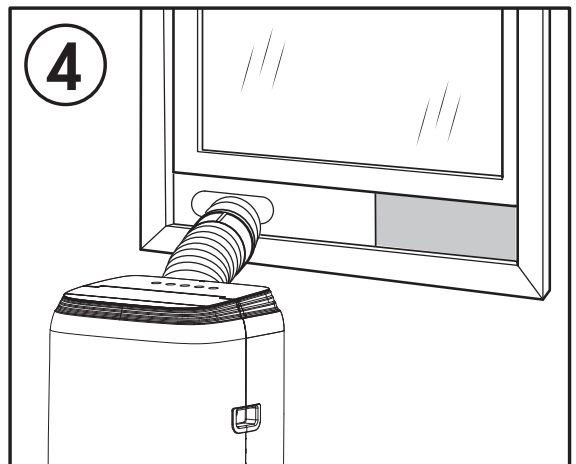
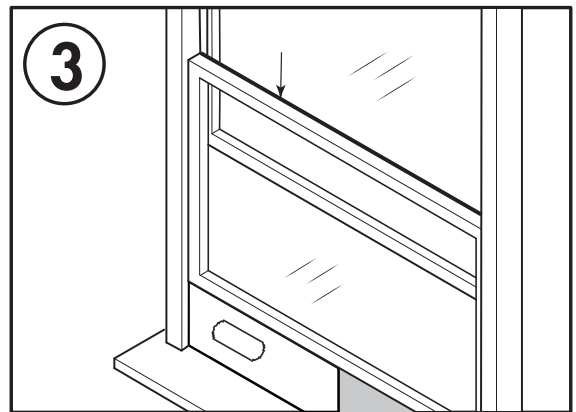
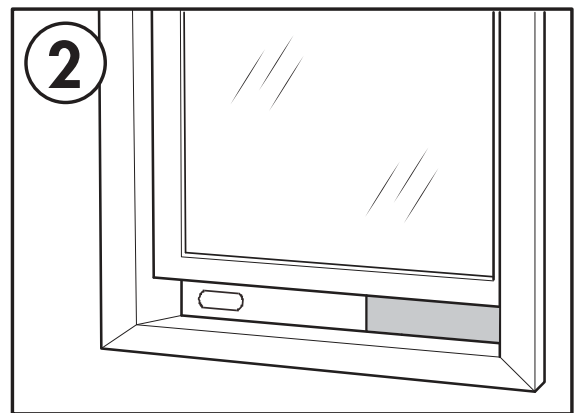
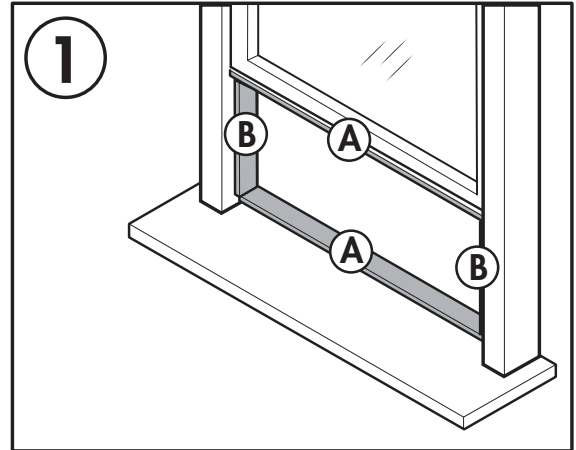
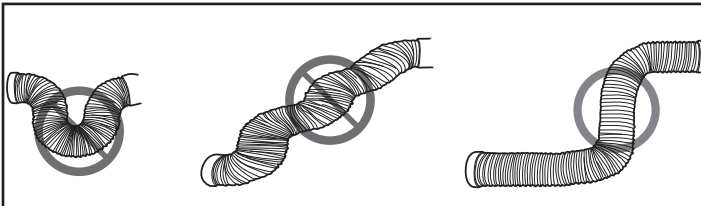
INSTALLATION DU TROUSSE DE FENÊTRE

Le kit de fenêtre peut être utilisé dans une fenêtre suspendue ou dans une application de fenêtre coulissante. Les images à droite sont pour une fenêtre suspendue. Les étapes pour une fenêtre coulissante sont les mêmes.

1. Couper les joints de mousse adhésive A et B à la longueur correcte pour la fenêtre. Fixez-les sur le cadre de la fenêtre et l'image comme indiqué.
2. Insérez le kit de curseur de fenêtre assemblé dans l'ouverture de la fenêtre.
3. Couper le joint d'étanchéité du pêtre non adhésif C pour correspondre à la largeur de la fenêtre. Insérez le joint en mousse entre le verre et le cadre de la fenêtre pour éviter que l'air et les insectes ne pénètrent dans la pièce.
4. Fixez l'adaptateur du curseur de fenêtre au trou dans le kit de curseur de fenêtre.

Remarque : Il peut être plus facile de fixer l'adaptateur de curseur de fenêtre au kit de curseur de fenêtre avant de placer le kit dans la fenêtre.

Remarque : Ne pas trop étendre ni plier le tuyau, car cela entravera le flux d'air.

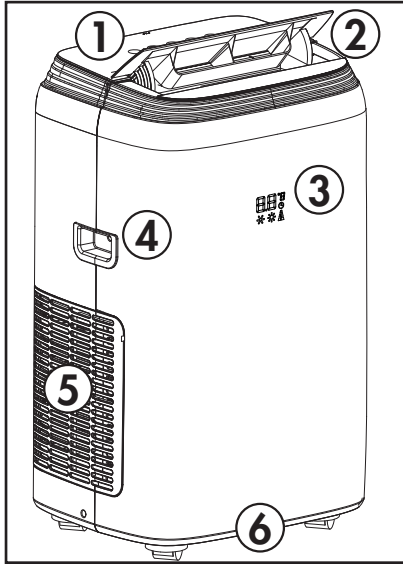


INSTRUCTIONS D'INSTALLATION

CARACTÉRISTIQUES

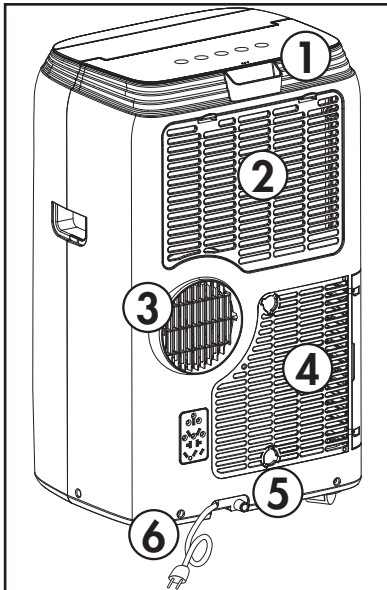
Avant

1. Panneau de contrôle
2. Persienne
3. Afficher
4. Poignée (deux côtés)
5. Prise d'air
6. Roulettes



Arrière

1. Porte télécommande
2. Prise d'air
3. Sortie d'air
4. Prise d'air
5. Drainer
6. Cordon d'alimentation



EMPLACEMENT

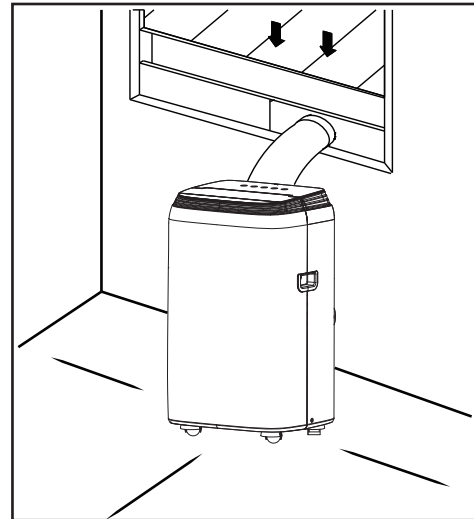
Placez le climatiseur sur un plancher lisse et plat qui est assez solide pour le supporter et tous les accessoires inclus.

Assurez-vous que l'appareil est à niveau pour minimiser les bruits et les vibrations.

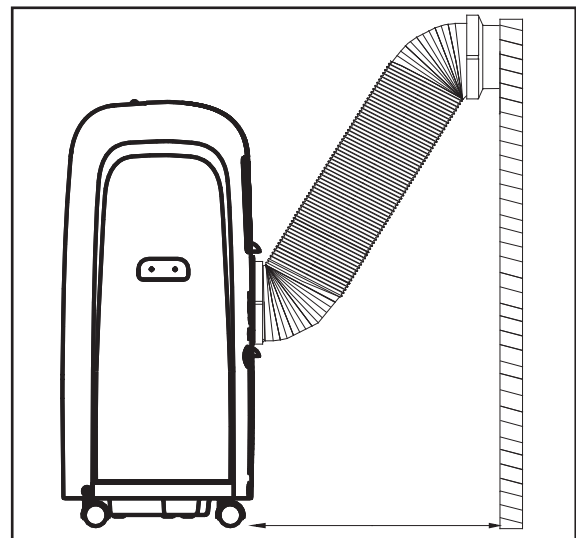
L'appareil doit être installé près d'une prise de mise à la terre et la sortie de vidange à l'arrière de l'appareil doit être accessible.

Ne pas couvrir les entrées d'air ou les prises de courant ou le récepteur de la télécommande sur le panneau de commande.

L'appareil nécessite un dégagement de 45 cm (17.7 pouces) sur le devant et sur les côtés.

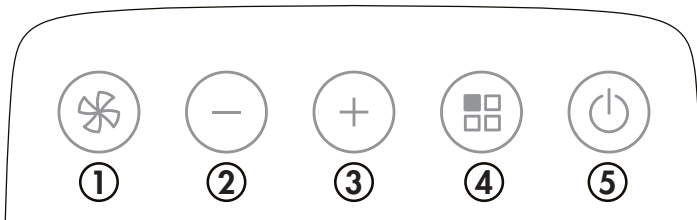


L'appareil nécessite au moins 50 cm (20 pouces) de dégagement sur le dos.



INSTRUCTIONS D'UTILISATION

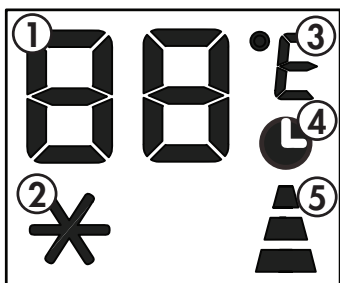
PANNEAU DE CONTRÔLE



- Bouton du ventilateur :** Utilisé pour régler la vitesse du ventilateur; faible, moyen, élevé ou auto.
- Bouton diminuer :** Utilisé pour diminuer la température définie.
- Bouton augmenter :** Utilisé pour augmenter la température de consigne.
- Bouton de mode:** Utilisé pour choisir le mode; cool, fan ou sec. Appuyez sur le bouton de mode et maintenez-le enfoncé pendant 20 secondes pour changer l'échelle de température entre Celsius et Fahrenheit.
- Bouton d'alimentation:** Appuyez pour allumer ou éteindre l'appareil.

Remarque : Certaines fonctions ne sont accessibles que via la télécommande.

PANNEAU D'AFFICHAGE



- Affichage de la température, du temps et des icônes
- Indicateur de mode froid
- Indicateur d'échelle de température
- Indicateur de minuterie
- Indicateur de vitesse du ventilateur
 - Un ventilateur bas est indiqué par une barre.
 - Un ventilateur moyen est indiqué par deux barres.
 - Un ventilateur élevé est indiqué par trois barres.
 - La vitesse du ventilateur automatique est indiquée par les barres de cycle.

MODES DE FONCTIONNEMENT

Mode refroidissement (cool)

Choisissez le mode cool pour régler la fonction de refroidissement.

- Appuyez sur le bouton de mode jusqu'à ce que l'icône représentant un flocon de neige apparaisse à l'écran.
- Utilisez les boutons d'augmentation et de diminution pour choisir la température désirée.
- Utilisez le bouton du ventilateur pour choisir la vitesse du ventilateur souhaitée.
- La température peut être réglée dans une plage allant de 18 à 32 ° C (64 à 90 ° F).
- Le tuyau d'échappement doit être installé en mode froid pour obtenir les meilleurs résultats.

Mode sec (dry)

Choisissez le mode sec pour éliminer l'excès d'humidité de l'air pendant les périodes de forte humidité.

- Appuyez sur le bouton mode jusqu'à ce que le symbole «dh» apparaisse à l'écran.
- La vitesse du ventilateur sera réglée sur auto.
- Le tuyau d'échappement doit être installé en mode froid pour obtenir les meilleurs résultats.
- Il peut être nécessaire d'installer le tuyau de vidange en continu en mode sec pour éliminer les excès d'eau.

Mode ventilateur (fan)

Choisissez le mode ventilateur pour faire fonctionner le ventilateur interne sans engager la fonction de refroidissement.

- Appuyez sur le bouton mode jusqu'à ce que l'icône du ventilateur apparaisse à l'écran.
- Appuyez sur le bouton du ventilateur pour choisir la vitesse du ventilateur souhaitée: basse, moyenne ou haute.
- Le tuyau d'évacuation n'a pas besoin d'être installé en mode ventilateur.

INSTRUCTIONS D'UTILISATION

FONCTION DE MINUTERIE

La fonction de minuterie peut être utilisée pour allumer ou éteindre l'appareil après un certain temps afin de conserver l'énergie. La fonction de minuterie ne peut être activée que par la télécommande.

Pour régler la minuterie pour éteindre l'appareil:

1. Pendant le fonctionnement de l'appareil, appuyez sur le bouton de la minuterie. L'affichage de l'heure clignotera.
2. Appuyez sur le bouton de la minuterie pour choisir le nombre d'heures avant l'extinction de l'appareil.
3. Attendez 5 secondes pour confirmer le réglage. L'icône de la minuterie s'affichera sur le panneau d'affichage.

Pour régler la minuterie afin d'allumer l'appareil :

1. Mettez l'appareil en marche et choisissez le mode et les paramètres souhaités. Éteignez l'appareil.
2. Lorsque l'appareil est éteint, appuyez sur le bouton de la minuterie. L'affichage de l'heure clignotera.
3. Appuyez sur le bouton de la minuterie pour choisir le nombre d'heures avant l'allumage de l'appareil.
4. Attendez 5 secondes pour confirmer le réglage. L'icône de la minuterie s'affichera sur le panneau d'affichage.

Remarques : Allumer ou éteindre l'appareil à tout moment ou régler le minuteur sur 0 heure annulera les réglages du minuteur.

FONCTION DE SOMMEIL

La fonction de sommeil peut être utilisée pour économiser de l'énergie pendant les heures de sommeil. La fonction de veille ne peut être utilisée qu'en mode froid.

Lorsque cette option est sélectionnée, la température de consigne augmente de 1 degré par heure pendant 2 heures. L'appareil maintiendra la nouvelle température réglée pendant 6 heures avant de revenir automatiquement au fonctionnement normal.

La fonction de veille ne peut être activée qu'avec la télécommande et peut être annulée à tout moment en appuyant sur le bouton de sommeil.

TÉLÉCOMMANDE



1. **Bouton du ventilateur :** Utilisé pour régler la vitesse du ventilateur; faible, moyen, élevé ou auto.
2. **Bouton augmenter :** Utilisé pour augmenter la température de consigne.
3. **Bouton de mode :** Utilisé pour choisir le mode; cool, fan ou sec.
4. **Bouton de persienne :** Utilisé pour régler l'angle du volet sur le dessus de l'appareil.
 - Appuyez une fois pour lancer la fonction swing.
 - Appuyez une seconde fois pour arrêter le déflecteur lorsqu'il a atteint l'angle souhaité.
5. **Bouton diminuer :** Utilisé pour diminuer la température définie.
6. **Bouton minuterie :** Utilisé pour régler la fonction de minuterie.
7. **Bouton de sommeil :** Utilisé pour définir la fonction de sommeil.
8. **Bouton d'alimentation :** Appuyez pour allumer ou éteindre l'appareil.
9. **Bouton de °C/°F :** Utilisé pour changer l'échelle de température entre Celsius et Fahrenheit.

Remarque: La télécommande fonctionnera dans un rayon de 7 mètres (23 pieds) de l'appareil.

INSTRUCTIONS D'UTILISATION

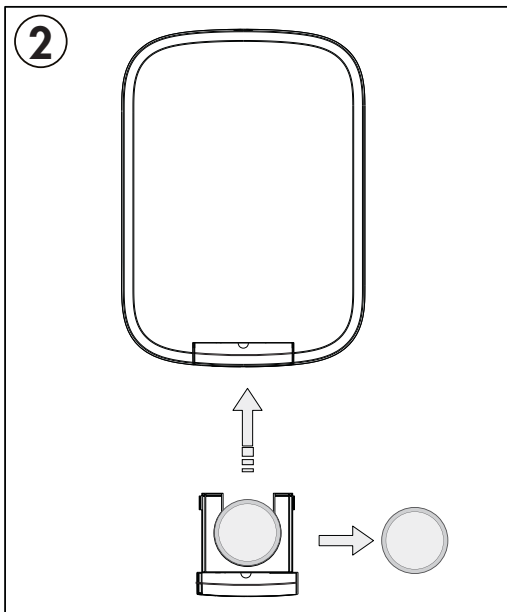
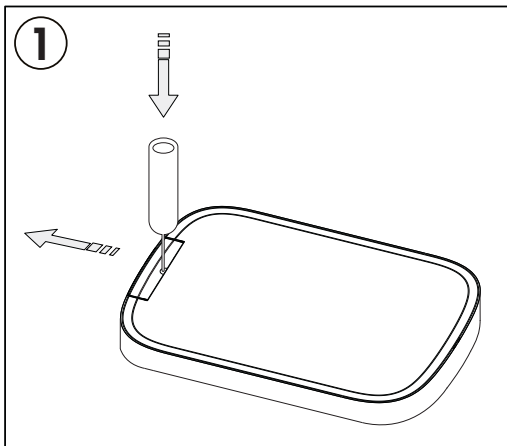
BATTERIES DE TELECOMMANDE

La télécommande sera livrée avec une batterie déjà installée. Pour utiliser la télécommande pour la première fois, retirez la bande isolante transparente du boîtier de la batterie en tirant doucement dessus.

La télécommande utilise une pile de type CR2025.

Pour remplacer la pile de la télécommande, suivez les étapes ci-dessous:

1. Utilisez une épingle ou un objet similaire pour appuyer dans le trou du couvercle de la pile à l'arrière de la télécommande. Tout en appuyant avec la broche, poussez le couvercle de la batterie.
2. Retirez la pile usagée de son couvercle et remplacez-la par une pile neuve du même type. Remplacez le couvercle du compartiment à piles dans la télécommande en poussant vers l'intérieur jusqu'à ce que vous entendiez un déclic.



Cet équipement a été testé et s'est avéré conforme aux limites d'un appareil numérique de classe B, conformément à la partie 15 des règles de la FCC. Ces limites sont conçues pour fournir une protection raisonnable contre les interférences nuisibles dans une installation résidentielle. Cet équipement génère, utilise et peut émettre de l'énergie radiofréquence et, s'il n'est pas installé et utilisé conformément aux instructions, peut causer des interférences nuisibles aux communications radio. Cependant, il n'y a aucune garantie que des interférences ne se produiront pas dans une installation particulière.

Si cet équipement provoque des interférences nuisibles à la réception de la radio ou de la télévision, ce qui peut être déterminé en allumant et éteindre l'équipement, l'utilisateur est encouragé à essayer de corriger les interférences en prenant une ou plusieurs des mesures suivantes:

1. Réorienter ou déplacer l'antenne réceptrice.
2. Accroître la distance entre l'appareil et le récepteur.
3. Brancher l'appareil sur une prise de courant appartenant à un autre circuit que celui du récepteur.
4. Chercher de l'aide auprès du détaillant ou d'un technicien en radio ou en télévision expérimenté.

Des changements ou modifications non approuvés par l'autorité ayant confirmé la conformité de l'appareil aux règlements de la FCC pourraient faire retirer l'autorisation d'utilisation de l'appareil. Cet appareil est conforme à la Section 15 des réglementations de la FCC.

Son utilisation est soumise aux deux conditions suivantes:

1. Cet appareil ne doit pas provoquer d'interférences nuisibles.
2. Cet appareil doit accepter toute interférence reçue, y compris les interférences pouvant entraîner un fonctionnement indésirable.

Cet appareil est conforme à la norm CAN ICES-3 (B) / NMB-3 (B) du Canada.

IMPORTANT

Ne pas jeter les piles en tant que déchets municipaux non triés. Reportez-vous aux lois locales pour l'élimination correcte des piles.

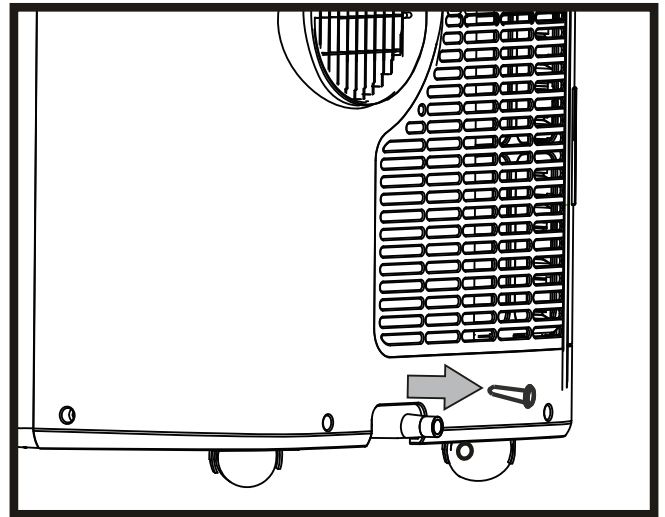
INSTRUCTIONS D'UTILISATION

VIDANGE D'EAU

Lorsque le bac de vidange interne devient plein, l'appareil sonne 8 fois et l'affichage numérique affichera le code d'erreur "F1". L'action de la climatisation ou de la déshumidification s'arrête, mais le ventilateur peut continuer à fonctionner.

Bouchon de vidange

1. Mettez l'appareil hors tension et débranchez-le de la source d'alimentation.
2. Déplacez soigneusement l'appareil à un endroit où l'eau peut être vidangée.
3. Retirez le bouchon de vidange et laissez l'eau s'écouler complètement.
4. Remplacez le bouchon de vidange inférieur en appuyant fermement pour assurer un ajustement serré et aucune fuite.
5. Le symbole d'erreur "F1" disparaîtra et l'appareil reprendra la fonction normale une fois que l'alimentation a été restaurée.



SOINS ET MAINTENANCE

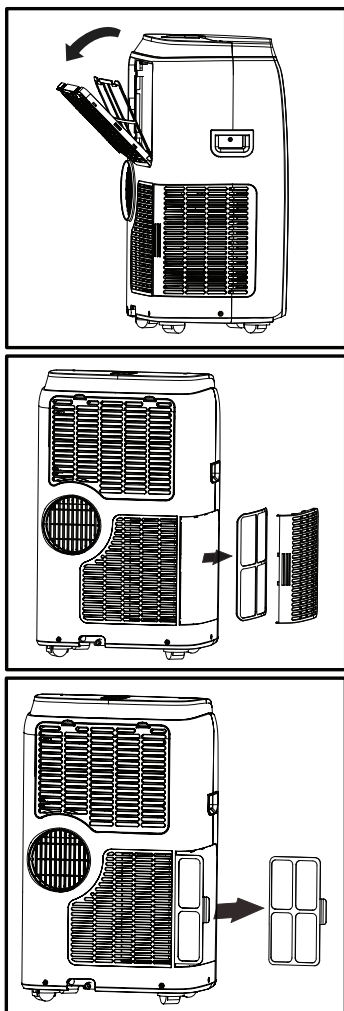
NETTOYAGE

- Débranchez l'appareil avant de le nettoyer ou de l'entretenir.
- Nettoyez l'armoire avec un chiffon humide tiède et un détergent neutre. Séchez l'armoire avec un chiffon sec sans peluches.
- N'utilisez pas d'essence, de diluant ou d'autres produits chimiques pour nettoyer l'appareil.
- Ne lavez pas l'appareil directement sous un robinet ou à l'aide d'un tuyau. Cela peut causer des dommages électriques.

FILTRE À AIR

Cet appareil comporte trois filtres qui doivent être nettoyés toutes les deux semaines pour garantir des performances optimales.

Dans les ménages avec des animaux, les filtres à air doivent avoir besoin d'être nettoyés plus souvent et les grilles extérieures devront peut-être être essuyées pour empêcher le flux d'air bloqué.



ENTREPOSAGE À LONG TERME

1. Égoutter toute l'eau de l'appareil.
2. Faites fonctionner l'appareil sur le mode Ventilateur pendant une demi-journée dans une pièce chaude pour sécher l'intérieur de l'appareil et empêcher la formation de moisissure.
3. Éteignez l'appareil et débranchez-le, enrroulez le cordon et collez-le avec du ruban adhésif.
4. Retirez les piles de la télécommande.
5. Nettoyez les filtres à air et réinstallez-les.
6. Conserver l'appareil est un endroit frais et sombre. Une exposition prolongée à la lumière directe du soleil ou à une chaleur extrême peut raccourcir la durée de vie de l'appareil.

DISPOSITION

Cet appareil ne doit pas être considéré comme un ordures ménagères. Vérifiez la conformité réglementaire locale concernant l'élimination approuvée et sûre de cet appareil.

Ne jetez pas les piles avec les déchets ménagers non triés. Reportez-vous aux lois locales pour une élimination appropriée des piles.

CODES D'ERREUR

Lt - basse température - l'appareil se mettra en pause si de la glace se forme sur la structure interne; l'appareil reprendra normalement son fonctionnement normal lorsque la glace fondra

PF - capteur défectueux - débranchez l'appareil pendant 5 minutes pour réinitialiser les capteurs internes; si le code d'erreur persiste après le branchement de l'appareil, veuillez contacter le service clientèle pour obtenir des informations sur l'entretien

Ft - le bac à eau est plein - fixez le tuyau de vidange et vidangez l'excès d'eau

DÉPANNAGE

Danby soins du consommateur : 1-800-263-2629 ou consumerservice@danby.com

Heures d'ouverture :

Du lundi au jeudi, de 8 h 30 à 18 h, heure de l'Est
Vendredi, de 8 h 30 à 16 h, heure de l'Est

Les informations contenues dans ce manuel sont sujettes à modification sans préavis.

PROBLEME	CAUSE POSSIBLE
L'appareil ne fonctionnera pas	<ul style="list-style-type: none">• La fiche n'est pas complètement insérée dans la prise murale• Fusible soufflé ou disjoncteur
Refroidissement insuffisant	<ul style="list-style-type: none">• Les filtres à air sont sales• Flux d'air bloqué• La taille de l'appareil est trop petite pour l'application
Bruit	<ul style="list-style-type: none">• Le terrain n'est pas au niveau• Les filtres à air sont sales• Les sons de gargouille sont normaux; c'est le fluide frigorigène qui se déplace à l'intérieur de l'appareil
Odeurs	<ul style="list-style-type: none">• Formation de moisissure sur des surfaces intérieures humides• Placer un comprimé d'algaïcide dans un moule de base; enfoncer la tablette à travers la grille à l'arrière de l'appareil

GARANTIE LIMITÉE « EN ATELIER »

Cet appareil de qualité est garanti exempt de tout vice de matière première et de fabrication, s'il est utilisé dans les conditions normales recommandées par le fabricant.

Cette garantie n'est offerte qu'à l'acheteur initial de l'appareil vendu par Danby Products Limited (Canada) ou Danby Products Inc. (É.-U.) (ci-après « Danby ») ou par l'un des ses distributeurs agréés et elle ne peut être transférée.

CONDITIONS

Les pièces en plastique sont garanties pendant trente (30) jours seulement à partir de la date de l'achat, sans aucune prolongation prévue.

Premiers 12 mois Pendant les premiers **douze (12) mois**, toutes les pièces fonctionnelles de ce produit qui s'avèrent défectueuses seront réparées ou remplacées, selon le choix du garant, sans frais à l'acheteur initial.

Pour obtenir un service Contactez le revendeur où l'appareil a été acheté ou contactez le dépôt de service Danby autorisé le plus proche, où le service doit être effectué par un technicien de service qualifié. Si le service est effectué sur l'appareil par une personne autre qu'un dépôt de service autorisé, toutes les obligations de Danby en vertu de cette garantie seront annulées.

Il est de la responsabilité de l'acheteur de transporter l'appareil vers le dépôt de service agréé le plus proche.

Les frais de transport entre votre domicile et le lieu de l'entretien ne sont pas couverts par la présente garantie et doivent être acquittés par l'acheteur.

Aucune partie de la garantie ne prévoit implicitement que le fabricant sera tenu responsable des dommages subis par les aliments ou d'autres types de contenu, qu'ils soient causés par la défectuosité de l'appareil ou par son usage adéquat ou inadéquat.

EXCLUSIONS

En vertu de la présente, il n'existe aucune autre garantie, condition ou représentation, qu'elle soit exprimée ou tacite, de façon manifeste ou intentionnelle, par Danby ou ses distributeurs agréés. De même, sont exclues toutes les autres garanties, conditions ou représentations, y compris les garanties, conditions ou représentations en vertu de toute loi régissant la vente de produits ou de toute autre législation ou règlement semblable. **En vertu de la présente, Danby ne peut être tenue responsable en cas de blessures corporelles ou de dégâts matériels, y compris à l'appareil, quelle qu'en soit les causes. Danby ne peut pas être tenue responsable des dommages indirects dus au fonctionnement défectueux de l'appareil. En achetant l'appareil, l'acheteur accepte de tenir sans reproche et de dégager Danby de toute responsabilité en cas de réclamation pour toute blessure corporelle ou tout dégât matériel causé par cet appareil.**

CONDITIONS GÉNÉRALES

La garantie ou assurance ci-dessus ne s'applique pas si les dégâts ou réparations sont dus aux cas suivants :

- 1) Panne de courant.
- 2) Dommages subis pendant le transport ou le déplacement de l'appareil.
- 3) Alimentation électrique incorrecte (tension faible, câblage défectueux, fusibles incorrects).
- 4) Accident, modification, emploi abusif ou incorrect de l'appareil tel qu'une circulation d'air inadéquate dans la pièce ou des conditions de fonctionnement anormales (température extrêmement élevée ou basse).
- 5) Utilisation dans un but commercial ou industriel (à savoir, si l'appareil n'est pas installé dans un domicile résidentiel).
- 6) Incendie, dommages causés par l'eau, le vol, la guerre, une émeute, des hostilités, ou en cas de force majeure (ouragan, inondation, etc.).
- 7) Visites d'un technicien pour expliquer le fonctionnement de l'appareil au propriétaire.
- 8) Installation inappropriée (par exemple, encastrement d'un appareil autoportant, ou utilisation extérieure d'un appareil non conçu à cet effet, y compris, mais sans s'y limiter : les garages, les patios, les porches ou ailleurs, qui ne sont pas correctement isolés ou climatisés).

La preuve de la date d'achat sera requise pour les réclamations de garantie; conserver la facture de vente. Dans le cas où un service de garantie est requis, présentez la preuve d'achat à notre dépôt de service agréé.

Service sous garantie

En Atelier

Danby Products Limited
PO Box 1778, Guelph, Ontario, Canada N1H 6Z9
Téléphone : (519) 837-0920 Télécopieur : (519) 837-0449

1-800-263-2629
02/18

Danby Products Inc.
PO Box 669, Findlay, Ohio, U.S.A. 45840
Téléphone : (419) 425-8627 Télécopieur : (419) 425-8629

Bienvenido

Bienvenido a la familia Danby. Estamos orgullosos de nuestros productos de calidad y creemos en un servicio confiable. Sugerimos que lea este manual del propietario antes de conectar el nuevo aparato ya que contiene información importante sobre la operación, información de seguridad, solución de problemas y consejos de mantenimiento para garantizar la fiabilidad y longevidad de su electrodoméstico.

Visite **www.Danby.com** para acceder a herramientas de autoservicio, preguntas frecuentes y mucho más. Para asistencia adicional, llame al **1-800-263-2629**.

Tenga en cuenta la información siguiente; Necesitará esta información para obtener un servicio bajo garantía.

Debe proporcionar el recibo de compra original para validar su garantía y recibir servicio.

Número de modelo: _____

Número de serie: _____

Fecha de compra: _____

Necesitas ayuda?

Antes de llamar al servicio, aquí hay algunas cosas que puede hacer para ayudarnos a servirle mejor.

Lea este manual del propietario:

Contiene instrucciones para ayudarlo a usar y mantener su aparato correctamente.

Si recibe un aparato dañado:

Inmediatamente póngase en contacto con el minorista o el constructor que le vendió el aparato.

Ahorre tiempo y dinero:

Consulte la sección de solución de problemas al final de este manual antes de llamar. Esta sección le ayudará a resolver problemas comunes que pueden ocurrir.



1-800-26- Danby
(1-800-263-2629)



Información de Seguridad Importante

LEA Y SIGA TODAS LAS INSTRUCCIONES DE SEGURIDAD

REQUERIMIENTOS DE SEGURIDAD

Este dispositivo no está destinado a ser utilizado por personas (incluidos niños) cuyas capacidades físicas, sensoriales o mentales pueden ser diferentes o reducidas, o que carecen de experiencia o conocimiento, a menos que dichas personas sean supervisadas o entrenadas para operar el dispositivo por una persona responsable de su la seguridad.

Los niños deben ser supervisados para asegurarse de que no juegan con el aparato.

Para evitar el riesgo de descarga eléctrica, no utilice este aparato en un área que pueda acumular agua estancada. Si se desarrolla esta condición, desconecte la fuente de alimentación antes de entrar en el agua.

No almacene ni utilice materiales combustibles tales como gasolina u otros vapores o líquidos inflamables cerca de este o de cualquier otro aparato.

No introduzca los dedos u otros objetos en las parrillas o aberturas del aparato.

No cubra ni bloquee las aberturas de admisión y de escape.

No opere el aparato sin el filtro instalado.

No utilice el aparato cerca de fuentes de calor.

Este aparato está destinado únicamente a aplicaciones interiores y residenciales. No utilice este aparato al aire libre. No utilice este aparato para aplicaciones comerciales o industriales.

Si el acondicionador de aire es transportado en su parte posterior o lateral, se debe permitir que se mantenga erguido durante 6 horas antes de enchufarlo para evitar daños a los componentes internos.

Mantenga el aparato alejado de paredes, muebles y cortinas con un espacio de al menos 30 cm (12 pulgadas) por todos lados.

INSTRUCCIONES DE CONEXION A TIERRA

Este aparato debe estar conectado a tierra. La puesta a tierra reduce el riesgo de descarga eléctrica proporcionando un cable de escape para la corriente eléctrica.

Este aparato tiene un cable que tiene un cable de conexión a tierra con un enchufe de 3 clavijas. El cable de alimentación debe estar enchufado en un tomacorriente que esté debidamente conectado a tierra. Si el tomacorriente es un tomacorriente de dos clavijas, debe ser reemplazado por un tomacorriente de 3 clavijas con conexión a tierra adecuada. La placa de características en serie indica el voltaje y la frecuencia para los que está diseñado el artefacto.

ADVERTENCIA - El uso incorrecto del enchufe de conexión a tierra puede ocasionar un riesgo de descarga eléctrica. Consulte a un electricista o agente de servicio calificado si las instrucciones de conexión a tierra no se entienden completamente o si existe duda sobre si el aparato está debidamente conectado a tierra.

No conecte el aparato a cables de extensión, adaptadores o junto con otro aparato en la misma toma de corriente.

No empalme el cable de alimentación. No corte ni extraiga en ningún caso la tercera clavija de tierra del cable de alimentación.

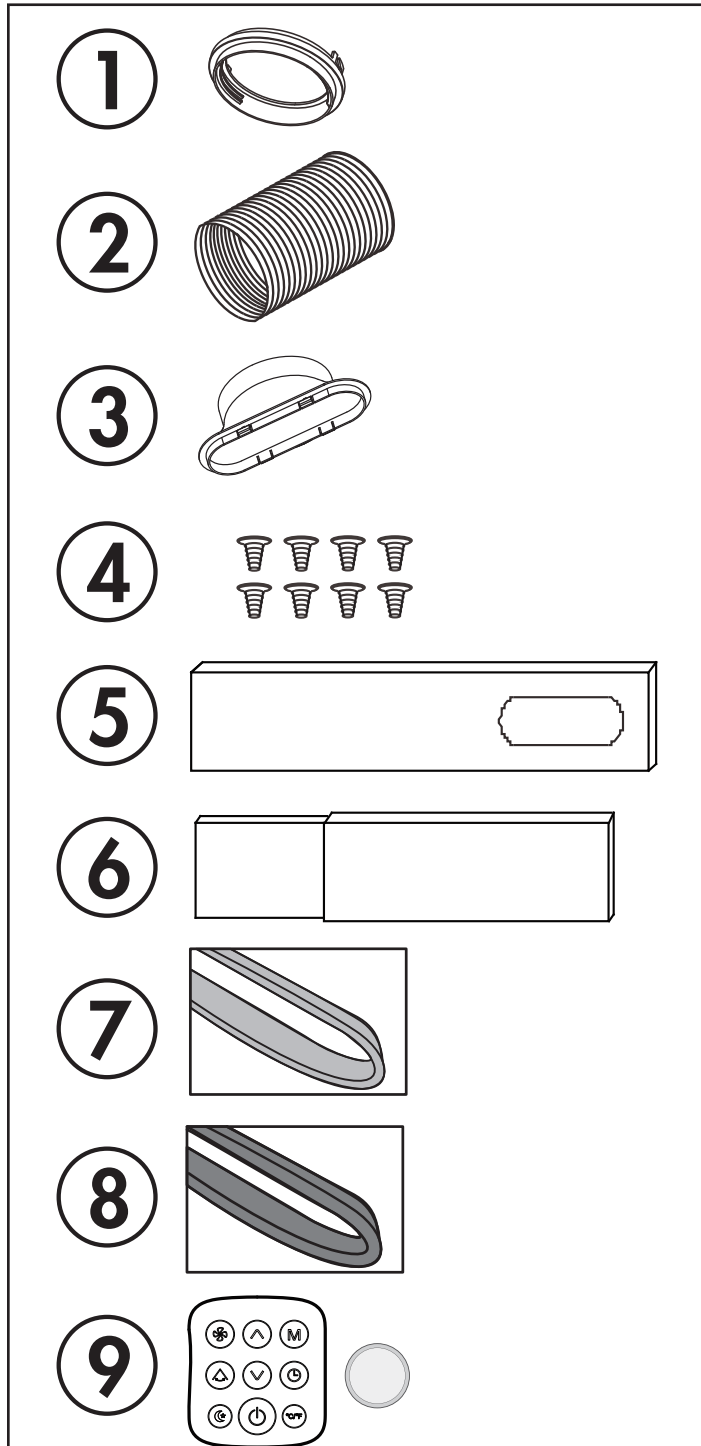
Si el cable de alimentación está dañado, debe ser reemplazado por el fabricante, su agente de servicio o persona calificada similar para evitar riesgos.

¡GUARDA ESTAS INSTRUCCIONES!

INSTRUCCIONES DE INSTALACIÓN

ACCESORIOS

1. Adaptador de salida de aire
2. Manguera de escape
3. Adaptador deslizante de la ventana
4. 8 tornillos
5. Deslizador de ventana A
6. Ventana deslizante B y C
7. Junta de espuma A y B (adhesivo)
8. Junta de espuma C (no adhesiva)
9. Control remoto y baterías

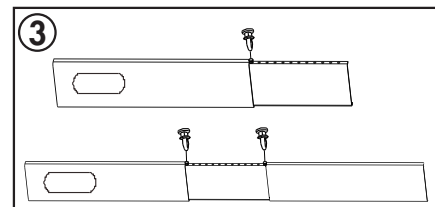
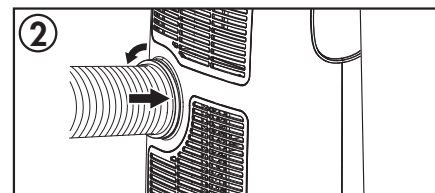
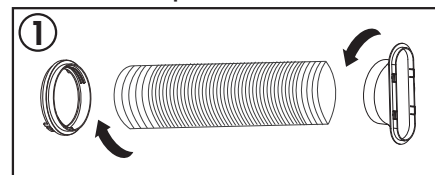


HERRAMIENTAS REQUERIDAS

1. Destornillador Phillips de tamaño mediano
2. Cinta métrica o regla
3. Cuchillo o tijeras
4. Sierra (en el caso de que los controles deslizantes de la ventana deban cortarse a medida)

MONTAJE DEL KIT DE LA VENTANA

1. Conecte el adaptador de salida de aire y el adaptador deslizante de la ventana a cada extremo de la manguera de escape.
2. Inserte el adaptador de salida de aire en la parte posterior del aparato colocándolo sobre el escape de aire y luego girándolo en la dirección de la flecha para fijarlo en su lugar.
3. Mida la abertura de la ventana donde se instalará el kit de ventana. Arme tantos controles deslizantes como sea necesario para ajustar la ventana.
4. Si la longitud de la ventana requiere los tres controles deslizantes, use dos tornillos para sujetar los controles deslizantes en la longitud correcta.
5. Si la abertura de la ventana es menor que la longitud mínima de un solo control deslizante, use el control deslizante que tiene el orificio y córtelo a la longitud correcta. Asegúrese de no cortar el extremo que tiene el orificio ya que es necesario para conectar el adaptador de la manguera de escape.



INSTRUCCIONES DE INSTALACIÓN

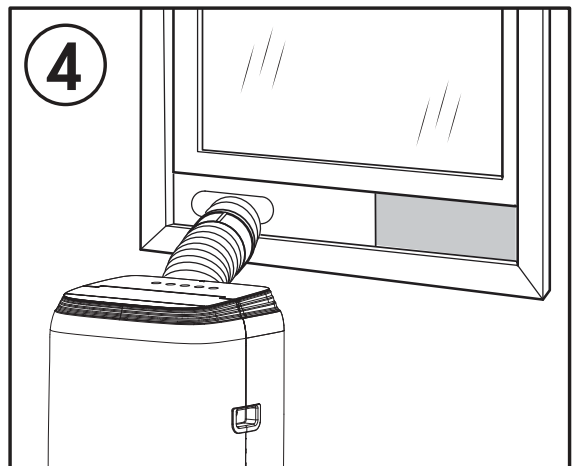
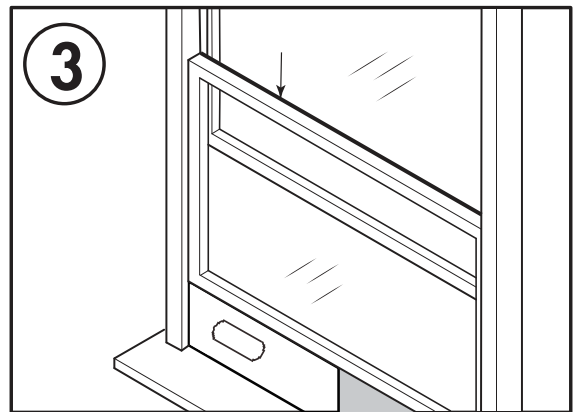
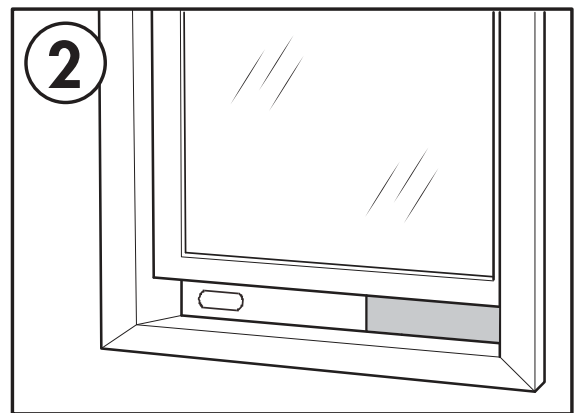
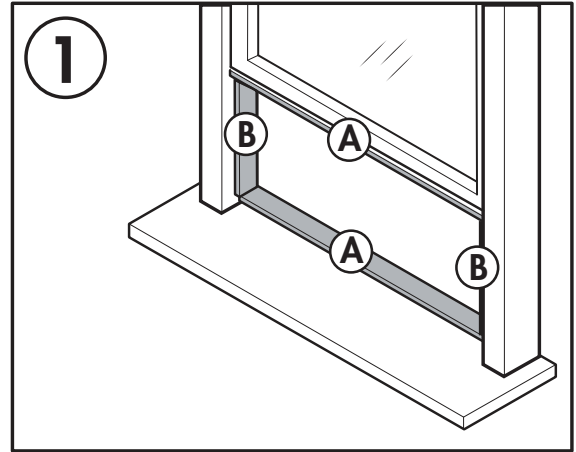
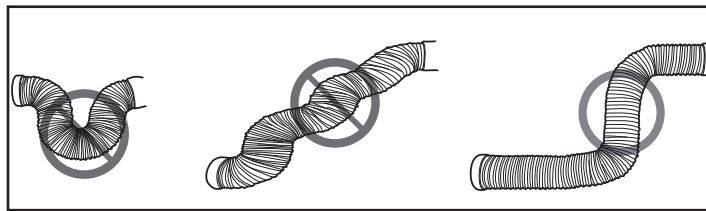
INSTALAR EL KIT DE VENTANA

El kit de ventana se puede utilizar en una ventana suspendida o en una aplicación de ventana deslizante. Las imágenes de la derecha son para una ventana colgada. Los pasos para una ventana deslizante son los mismos.

1. Corte los sellos de espuma adhesiva A y B a la longitud correcta para la ventana. Adjúntelos a la hoja y marco de la ventana como se muestra.
2. Inserte el kit deslizante de la ventana ensamblada en la abertura de la ventana.
3. Corte el sello de potro no adhesivo C para que coincida con el ancho de la ventana. Inserte el sello de espuma entre el vidrio y el marco de la ventana para evitar que el aire y los insectos entren en la habitación.
4. Conecte el adaptador deslizante de la ventana al orificio en el kit de control deslizante de la ventana.

Nota: Puede ser más fácil colocar el adaptador del deslizador de la ventana al kit del deslizador de la ventana antes de colocarlo en la ventana.

Nota: No extienda ni doble la manguera ya que esto impedirá el flujo de aire.

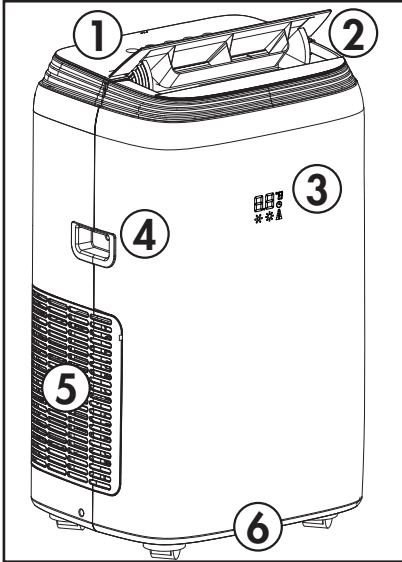


INSTRUCCIONES DE INSTALACIÓN

CARACTERÍSTICAS

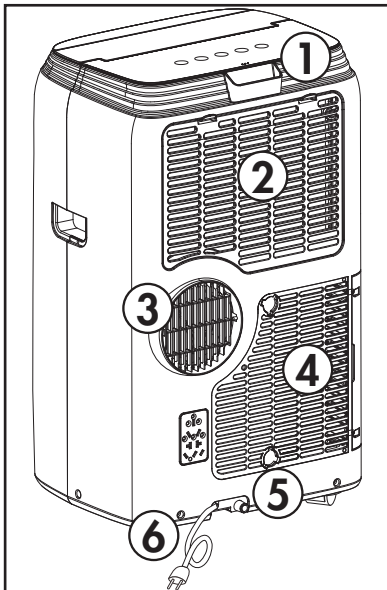
Frente

1. Panel de control
2. Persiana
3. Visualización
4. Mango (ambos lados)
5. Toma de aire
6. Ruedas



Posterior

1. Titular de control remoto
2. Toma de aire
3. Salida de aire
4. Toma de aire
5. Desagüe
6. Cable de alimentación



UBICACIÓN

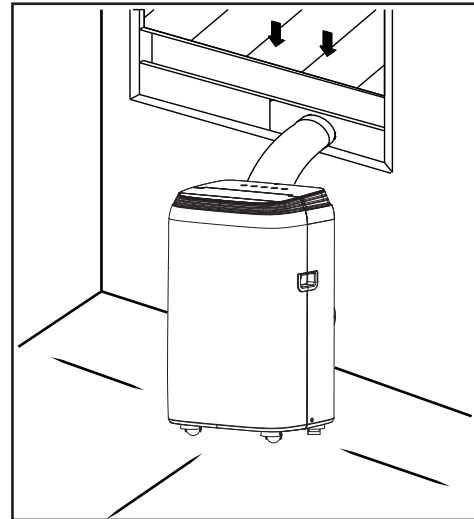
Coloque el acondicionador de aire en un piso liso y nivelado que sea lo suficientemente fuerte para soportarla y todos los accesorios incluidos.

Asegúrese de que el aparato esté nivelado para minimizar el ruido y las vibraciones.

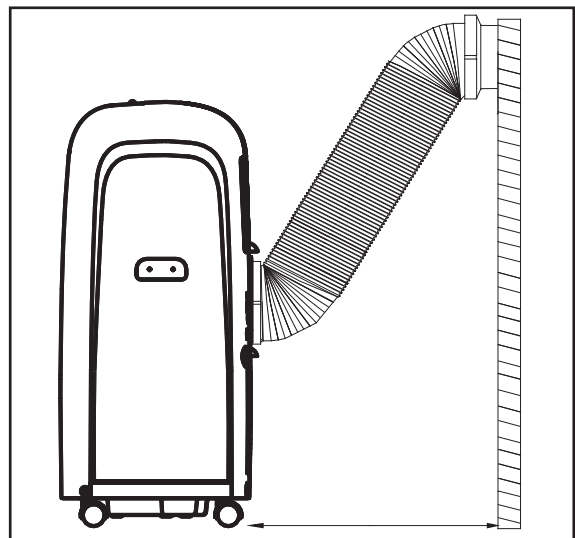
El electrodoméstico debe instalarse cerca de un receptáculo puesto a tierra y debe tener acceso a la salida de drenaje de desbordamiento en la parte posterior del electrodoméstico.

No cubra las entradas o salidas de aire ni el receptor de control remoto en el panel de control.

El aparato requiere 45 cm (17.7 pulgadas) de espacio libre en el frente y los costados.

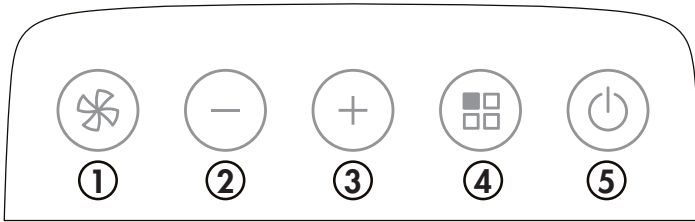


El aparato requiere al menos 50 cm (20 pulgadas) de espacio libre en la parte posterior.



INSTRUCCIONES DE OPERACIÓN

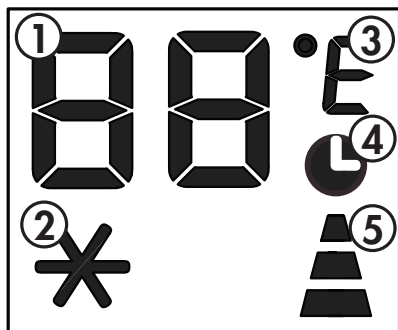
PANEL DE CONTROL



- 1. Botón del ventilador:** Se utiliza para establecer la velocidad del ventilador; bajo, medio, alto o auto.
- 2. Botón de disminución:** Se utiliza para disminuir la temperatura establecida.
- 3. Botón de aumento:** Se utiliza para aumentar la temperatura establecida.
- 4. Botón de modo:** Se utiliza para elegir el modo; Enfriar, abanicar o secar. Mantenga presionado el botón de modo durante 20 segundos para cambiar la escala de temperatura entre grados Celsius y Fahrenheit.
- 5. Botón de encendido:** Presione para encender o apagar la unidad.

Nota: Ciertas funciones solo pueden ser accedidas a través del control remoto.

PANEL DE VISUALIZACIÓN



1. Pantalla de temperatura, tiempo e iconos.
2. Indicador de modo frío
3. Indicador de escala de temperatura
4. Indicador de temporizador
5. Indicador de velocidad del ventilador
 - El ventilador bajo se indica con una barra.
 - El abanico medio se indica con dos barras.
 - El ventilador alto se indica mediante tres barras.
 - La velocidad automática del ventilador se indica mediante barras de ciclismo.

MODOS DE FUNCIONAMIENTO

Modo frío (cool)

Elija el modo frío para configurar la función de refrigeración.

- Presione el botón de modo hasta que aparezca el icono de copo de nieve en la pantalla.
- Use los botones de aumento y disminución para elegir la temperatura deseada.
- Use el botón del ventilador para elegir la velocidad deseada del ventilador.
- La temperatura se puede ajustar dentro de un rango de 18 - 32 ° C (64 - 90 ° F).
- La manguera de escape debe instalarse durante el modo frío para garantizar los mejores resultados.

Modo seco (dry)

Elija el modo seco para eliminar el exceso de humedad del aire durante los períodos de alta humedad.

- Presione el botón de modo hasta que aparezca el símbolo "dh" en la pantalla.
- La velocidad del ventilador se establecerá en automático.
- La manguera de escape debe instalarse durante el modo frío para garantizar los mejores resultados.
- Puede ser necesario instalar la manguera de drenaje continuo durante el modo seco para eliminar el exceso de agua.

Modo de ventilador (fan)

Elija el modo de ventilador para ejecutar el ventilador interno sin activar la función de enfriamiento.

- Presione el botón de modo hasta que aparezca el ícono del ventilador en la pantalla.
- Presione el botón del ventilador para elegir la velocidad del ventilador deseada: baja, media o alta.
- No es necesario instalar la manguera de escape durante el modo de ventilador.

INSTRUCCIONES DE OPERACIÓN

FUNCIÓN DE TEMPORIZADOR

La función de temporizador se puede utilizar para encender o apagar el aparato después de un período de tiempo para ahorrar energía. La función de temporizador solo se puede activar con el mando a distancia.

Para configurar el temporizador para apagar el aparato:

1. Mientras el aparato está funcionando, presione el botón del temporizador. La pantalla de tiempo parpadeará.
2. Presione el botón del temporizador para elegir la cantidad de horas antes de que se apague el aparato.
3. Espere 5 segundos para confirmar la configuración. El icono del temporizador se mostrará en el panel de visualización.

Para configurar el temporizador para encender el aparato:

1. Encienda el aparato y elija el modo y la configuración que desee. Apague el aparato.
2. Mientras el aparato está apagado, presione el botón del temporizador. La pantalla de tiempo parpadeará.
3. Presione el botón del temporizador para elegir la cantidad de horas antes de que se encienda el aparato.
4. Espere 5 segundos para confirmar la configuración. El icono del temporizador se mostrará en el panel de visualización.

Notas: Si enciende o apaga el aparato en cualquier momento o ajusta la configuración del temporizador a 0 horas, se cancelará la configuración del temporizador.

FUNCIÓN DE DORMIR

La función de dormir se puede utilizar para conservar energía durante las horas de dormir. La función de suspensión solo se puede utilizar durante el modo frío.

Cuando se selecciona, la temperatura establecida aumentará en 1 grado por hora durante 2 horas. El aparato mantendrá la nueva temperatura establecida durante 6 horas antes de volver automáticamente al funcionamiento normal.

La función de suspensión solo se puede activar con el control remoto y se puede cancelar en cualquier momento presionando el botón de dormir.

CONTROL REMOTO



1. **Botón del ventilador:** Se utiliza para establecer la velocidad del ventilador; bajo, medio, alto o auto.
2. **Botón de aumento:** Se utiliza para aumentar la temperatura establecida.
3. **Botón de modo:** Se utiliza para elegir el modo; Enfriar, abanicar o secar.
4. **Botón de oscilación:** Se utiliza para establecer el ángulo de la rejilla en la parte superior del aparato.
 - Presione una vez para comenzar la función de swing.
 - Presione una segunda vez para detener la rejilla cuando haya alcanzado el ángulo deseado.
5. **Botón de disminución:** Se utiliza para disminuir la temperatura establecida.
6. **Botón del temporizador:** Se utiliza para configurar la función de temporizador.
7. **Botón de dormir:** Se utiliza para configurar la función de dormir.
8. **Botón de encendido:** Presione para encender o apagar la unidad.
9. **Botón °C / °F:** Se utiliza para cambiar la escala de temperatura entre grados Celsius y Fahrenheit.

Nota: El control remoto funcionará a una distancia de 7 metros (23 pies) del aparato.

INSTRUCCIONES DE OPERACIÓN

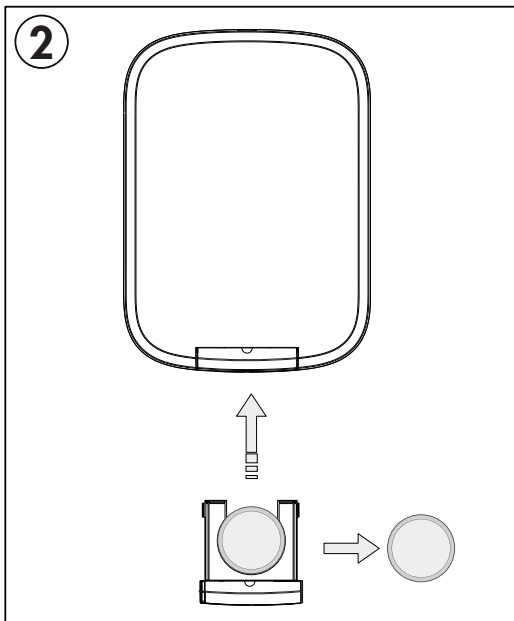
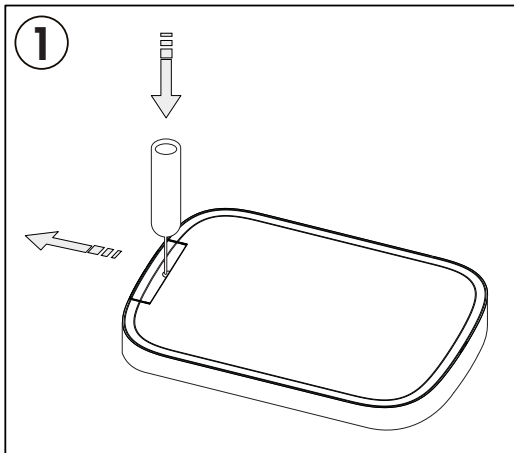
BATERIAS DE CONTROL REMOTO

El control remoto se enviará con una batería ya instalada. Para usar el control remoto por primera vez, retire la tira aislante transparente de la carcasa de la batería tirando de ella suavemente.

El mando a distancia utiliza pila tipo CR2025.

Para reemplazar la batería remota, siga los pasos a continuación:

1. Use un alfiler o elemento similar para presionar en el orificio de la tapa de la batería en la parte posterior del control remoto. Mientras presiona hacia abajo con el pasador, empuje la tapa de la batería hacia afuera.
2. Retire la batería vieja de la cubierta de la batería y reemplácela con una batería nueva del mismo tipo. Vuelva a colocar la tapa de la batería en el control remoto empujando hacia adentro hasta que encaje en su lugar.



Este equipo ha sido probado y cumple con los límites para un dispositivo digital de Clase B, de acuerdo con la Parte 15 de las Reglas de la FCC. Estos límites están diseñados para proporcionar una protección razonable contra interferencias dañinas en una instalación residencial. Este equipo genera, utiliza y puede irradiar energía de radiofrecuencia y, si no se instala y utiliza de acuerdo con las instrucciones, puede causar interferencia perjudicial a las comunicaciones de radio. Sin embargo, no hay garantía de que no se produzcan interferencias en una instalación en particular.

Si este equipo causa interferencias perjudiciales a la recepción de radio o televisión, lo que puede determinarse apagando y encendiendo el equipo, se recomienda al usuario que intente corregir la interferencia mediante una o más de las siguientes medidas:

1. Reorientar o reubicar la antena receptora
2. Aumente la separación entre el equipo y el receptor
3. Conecte el equipo a una toma de corriente en un circuito distinto al que está conectado el receptor
4. Consulte con el distribuidor o con un técnico de radio / TV experimentado para obtener ayuda.

Los cambios o modificaciones no aprobados por la parte responsable del cumplimiento de la FCC podrían anular la autoridad del usuario para operar el equipo. Este aparato cumple con la Parte 15 de las Reglas de la FCC.

El funcionamiento está sujeto a las siguientes condiciones:

1. Este dispositivo no puede causar interferencias perjudiciales.
2. Este dispositivo debe aceptar cualquier interferencia recibida, incluida la interferencia que pueda causar un funcionamiento no deseado.

Este dispositivo cumple con las normas canadienses CAN ICES-3 (B) / NMB-3 (B)

IMPORTANTE

No deseche las baterías como desechos municipales no clasificados. Consulte las leyes locales para la eliminación adecuada de las baterías.

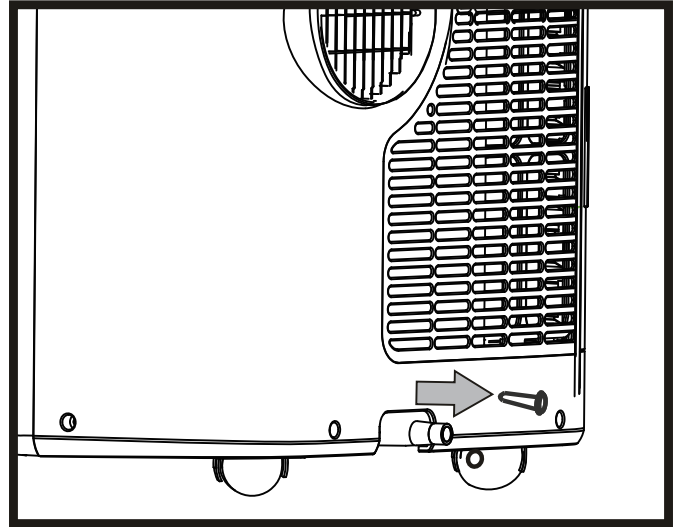
INSTRUCCIONES DE OPERACIÓN

EL DRENAJE DEL AGUA

Cuando el recipiente de drenaje interno se llene, el aparato emitirá un pitido 8 veces y la pantalla digital mostrará el código de error "Ft". La acción de aire acondicionado o deshumidificación se detendrá, pero el ventilador puede continuar funcionando.

Tapón de drenaje

1. Apague el aparato y desenchúfelo de la fuente de alimentación.
2. Mueva con cuidado el aparato a un lugar donde pueda drenarse el agua.
3. Retire el tapón de drenaje y deje que el agua se drene por completo.
4. Vuelva a colocar el tapón de drenaje inferior, presionando firmemente para asegurar un ajuste apretado y sin fugas.
5. El símbolo de error "Ft" desaparecerá y el aparato reanudará la función normal una vez que se restablezca la alimentación.



INSTRUCCIONES DE OPERACIÓN

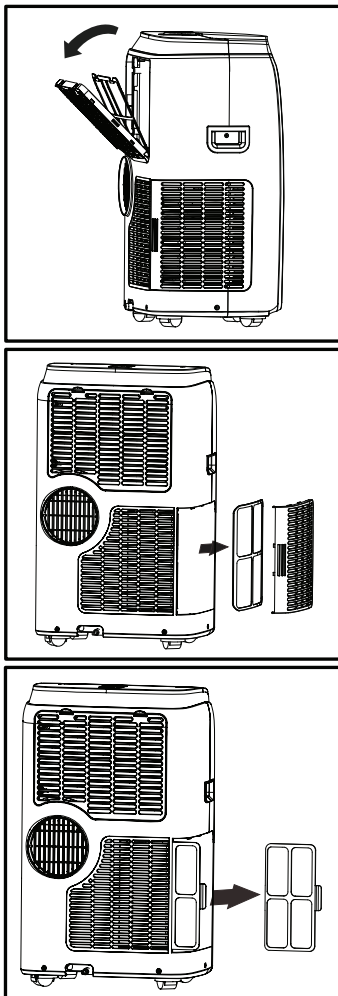
LIMPIEZA

- Desconecte el aparato antes de limpiarlo o repararlo.
- Limpie el gabinete con un paño húmedo tibio y detergente neutro. Seque el gabinete con un paño seco sin pelusa.
- No utilice gasolina, diluyente de pintura u otros productos químicos para limpiar el aparato.
- No lave el aparato directamente debajo de un grifo o con una manguera. Puede causar daños eléctricos.

FILTRO DE AIRE

Hay tres filtros en este dispositivo que deben limpiarse cada dos semanas para garantizar un rendimiento eficiente.

En los hogares con animales, los filtros de aire pueden necesitar ser limpiados con más frecuencia y las parrillas externas pueden necesitar ser limpiadas para evitar el flujo de aire bloqueado.



ALMACENAMIENTO A LARGO PLAZO

1. Vacíe todo el agua del aparato.
2. Haga funcionar el aparato en modo ventilador durante medio día en una habitación caliente para secar el interior del aparato y evitar la formación de moho.
3. Apague el aparato y desenchúfelo, enrolle el cable y fíjelo con cinta adhesiva.
4. Retire las pilas del mando a distancia.
5. Limpie los filtros de aire y vuelva a instalarlos.
6. Guarde el aparato en un lugar fresco y oscuro. La exposición prolongada a la luz solar directa o al calor extremo puede acortar la vida útil del aparato.

ELIMINACIÓN DE DESECHOS

Este aparato no debe ser tratado como una basura doméstica normal. Compruebe la conformidad reglamentaria local con respecto a la eliminación aprobada y segura de este aparato.

No deseché las baterías como residuos municipales sin clasificar. Consulte las leyes locales para la correcta eliminación de las baterías.

CÓDIGOS DE ERROR

Lt - baja temperatura: el aparato hará una pausa en el funcionamiento si se forma hielo en la estructura interna; El aparato reanudará su funcionamiento normal automáticamente cuando el hielo se derrita.

PF - falla del sensor: desenchufe el aparato durante 5 minutos para restablecer los sensores internos; Si el código de error persiste después de volver a enchufar el aparato, comuníquese con Atención al Consumidor para obtener información de servicio.

Ft - La bandeja de agua está llena - conecte la manguera de drenaje y drene el exceso de agua.

SOLUCIÓN DE PROBLEMAS

Danby cuidado del consumidor: 1-800-263-2629 o consumerservice@danby.com

Horas de operación:

Lunes a Jueves 8:30 am - 6:00 pm Hora estándar del este

Viernes 8:30 am - 4:00 pm Hora estándar del este

La información de este manual está sujeta a cambios sin previo aviso.

PROBLEMA	CAUSA POSIBLE
El aparato no funcionará	<ul style="list-style-type: none">• El enchufe no está completamente insertado en la toma de corriente de la pared• Fusible fundido o disyuntor
Enfriamiento insuficiente	<ul style="list-style-type: none">• Los filtros de aire están sucios• Flujo de aire bloqueado• El tamaño del dispositivo es demasiado pequeño para la aplicación
Ruido	<ul style="list-style-type: none">• El suelo no está nivelado• Los filtros de aire están sucios• Sonidos de gorjeo son normales; este es el refrigerante que se mueve dentro del aparato
Olores	<ul style="list-style-type: none">• Formación del molde en superficies mojadas internas• Coloque un comprimido de algicida en el molde de la base; empuje la tableta a través de la parrilla en la parte posterior del aparato

GARANTÍA LIMITADA "A DOMICILIO"

Este producto de calidad está garantizado contra defectos de fabricación, incluyendo partes y mano de obra, siempre y cuando la unidad se utilice bajo las condiciones normales de funcionamiento para las que fue diseñado. Esta garantía está solamente disponible para la persona que haya comprado originalmente esta unidad directamente de Danby Products Limited (Canada) o Danby Products Inc. (U.S.A.) (en adelante "Danby") o uno de sus distribuidores autorizados, y no es transferible.

CONDICIONES DE LA GARANTÍA

Las piezas plásticas, se autorizan por treinta (30) días solamente a partir de la fecha de la compra, sin las extensiones proporcionadas.

Primeros 12 meses Durante los primeros **doce (12) meses**, cualquier parte en buen estado de este producto que resulte defectuosa, incluyendo cualquier sistema sellado, será reparado o reemplazado, a opción del fabricante, sin cargo para el comprador ORIGINAL.

Para obtener servicio Comuníquese con el distribuidor donde haya comprado la unidad, o llame al Taller de Servicio Autorizado más cercano, donde debe ser reparada por un técnico calificado. Si esta unidad es reparada en otro lugar que no sea un Taller de Servicio Autorizado, o si la unidad se utiliza para aplicaciones comerciales, Danby no se hará responsable de ninguna forma y la garantía será anulada.

Límites del servicio técnico a domicilio Danby se reserva el derecho de limitar la cobertura de "Servicio en Domicilio" sujeto a la proximidad de un **Taller de Servicio Autorizado**. Para todo artefacto que requiera servicio fuera del área limitada de "Servicio en Domicilio", el cliente será responsable por transportar dicho artefacto hasta el Taller de Servicio Autorizado más cercano. Si el electrodoméstico está instalado en un lugar que se encuentra a **100 kilómetros (62 millas)** o más del centro de servicios más cercano, se debe llevar la unidad al Centro de servicios Danby autorizado más cercano, ya que dicho servicio sólo puede realizarlo un técnico calificado y certificado por Danby para prestar servicios de garantía.

Los cargos por transporte desde y hacia el lugar en que se efectúe el servicio técnico no están cubiertos por esta garantía y son de responsabilidad del comprador.

Nada dentro de esta garantía implica que Danby será responsable por cualquier daño que hayan sufrido los alimentos u otros contenidos de este aparato, ya sea debido a un defecto del aparato, o su uso, adecuado o inadecuado.

EXCLUSIONES

Salvo lo aquí indicado por Danby, no existen otras garantías, condiciones o representaciones, explícitas o implícitas, concretas o intencionales por parte de Danby o sus distribuidores autorizados y todas las demás garantías, condiciones o representaciones, incluyendo cualquier garantía, condiciones o representaciones bajo cualquier Acta de Venta de Productos o legislación o estatuto similar, quedan de esta forma expresamente excluidas. **Salvo lo aquí indicado, Danby no serán responsables por ningún daño a personas o bienes, incluyendo la propia unidad, sin importar su causa, o de ningún daño indirecto causado por el desperfecto de la unidad, y al comprar esta unidad, el comprador acepta por la presente, indemnizar y proteger a Danby contra cualquier reclamo por daños a personas o bienes causados por la unidad.**

CONDICIONES GENERALES

No se considerará ninguna de estas garantías o seguros cuando el daño o la necesidad de reparación sea el producto de los siguientes casos:

- 1) Falla del suministro eléctrico.
- 2) Daños en tránsito o durante el transporte de la unidad.
- 3) Alimentación incorrecta, como bajo voltaje, instalación eléctrica defectuosa o fusibles inadecuados.
- 4) Accidente, modificación, abuso o uso incorrecto del artefacto, tal como insuficiente ventilación del ambiente o condiciones de operación anormales (temperatura ambiente extremadamente alta o baja).
- 5) Utilización comercial o industrial (v.g., si el electrodoméstico no está instalado en una vivienda particular).
- 6) Incendio, daños por agua, robo, guerra, disturbios, hostilidades, actos de fuerza mayor como huracanes, inundaciones, etc.
- 7) Pedidos de servicio debido a desinformación del usuario.
- 8) Instalación inadecuada (v.g., instalación empotrada de un electrodoméstico diseñado como unidad independiente o uso de un electrodoméstico al aire libre que no esté aprobado para dicho fin, incluyendo pero no limitado a: garajes, patios, porches o en cualquier lugar que no esté bien aislado o controlado por el clima).

Se requerirá una prueba de la fecha de compra para reclamaciones de garantía; Retener las facturas de venta. En el caso de que se requiera servicio de garantía, presente el comprobante de compra a nuestro depósito de servicio autorizado.

Servicio de Garantía
Servicio en Domicilio

Danby Products Limited
PO Box 1778, Guelph, Ontario, Canada N1H 6Z9
Telephone: (519) 837-0920 FAX: (519) 837-0449

1-800-263-2629
04/17

Danby Products Inc.
PO Box 669, Findlay, Ohio, U.S.A. 45840
Telephone: (419) 425-8627 FAX: (419) 425-8629



MODEL • MODÈLE • MODELO

DPA120E3WDB-6

DPA140E3WDB-6