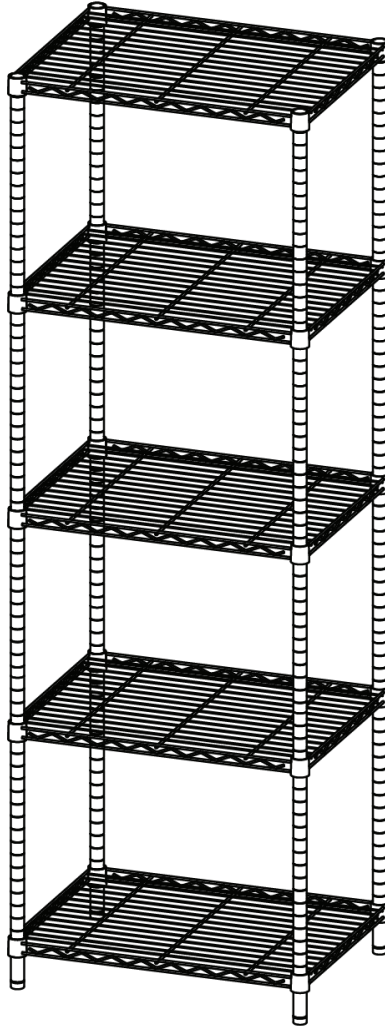
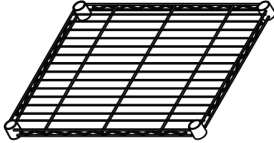


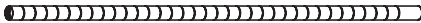





**5-tier steel shelving unit**  
**unidad de estantes de acero de 5 niveles**  
**unité de rayonnage en acier à 5 niveaux**



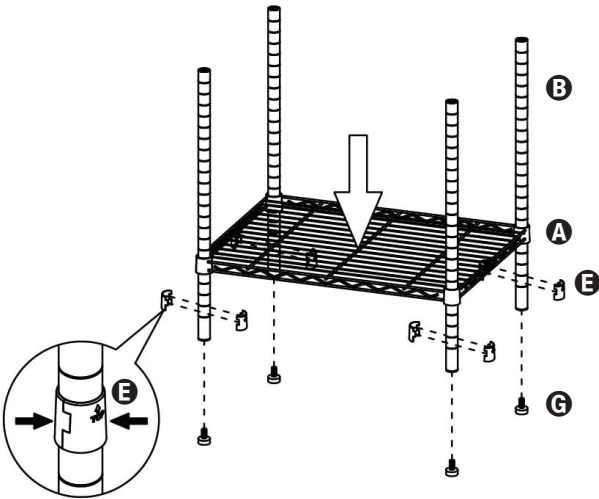
**24 in L x 18 in W x 72 in H / 61 cm L x 45.7 cm W x 182.9 cm H**

# PARTS LIST

PART/ILLUSTRATION	(QTY)	DESCRIPTION
A	( 5 )	shelf estante étagère
		
B	( 4 )	lower pole polo inferiores pôle inférieurs
		
C	( 4 )	center pole polo central pôle centre
		
D	( 4 )	upper pole polo superior pôle supérieur
		
E	( 20 )	shelf support clips clips del soporte del estante clips de support d'étagère
		
F	( 8 )	coupler bushing casquillo de acoplamiento coupleur douille
		
G	( 4 )	feet pies pieds
		

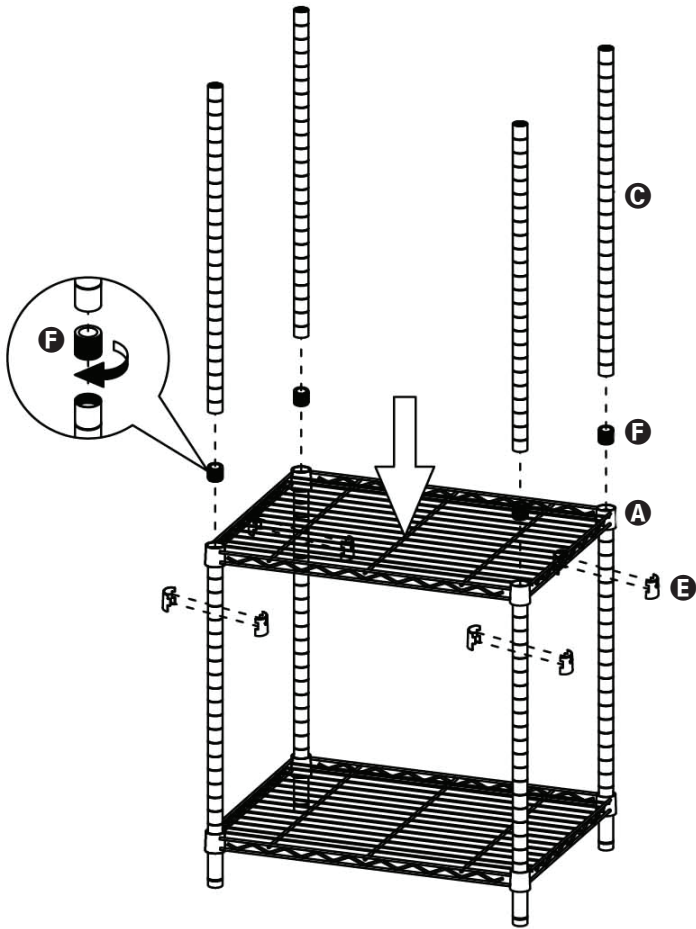
# ASSEMBLY

1



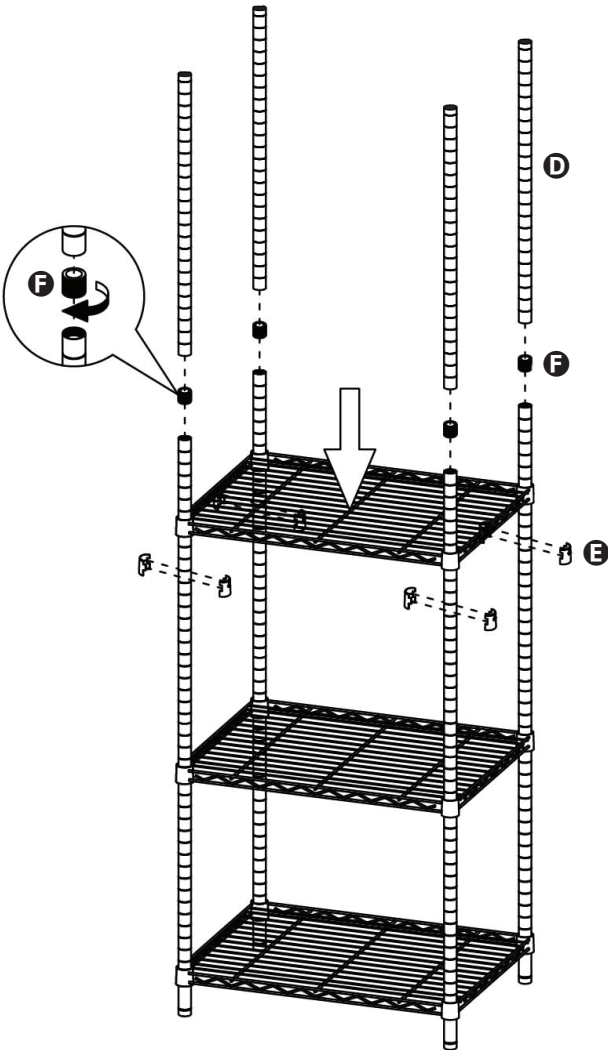
# ASSEMBLY

2



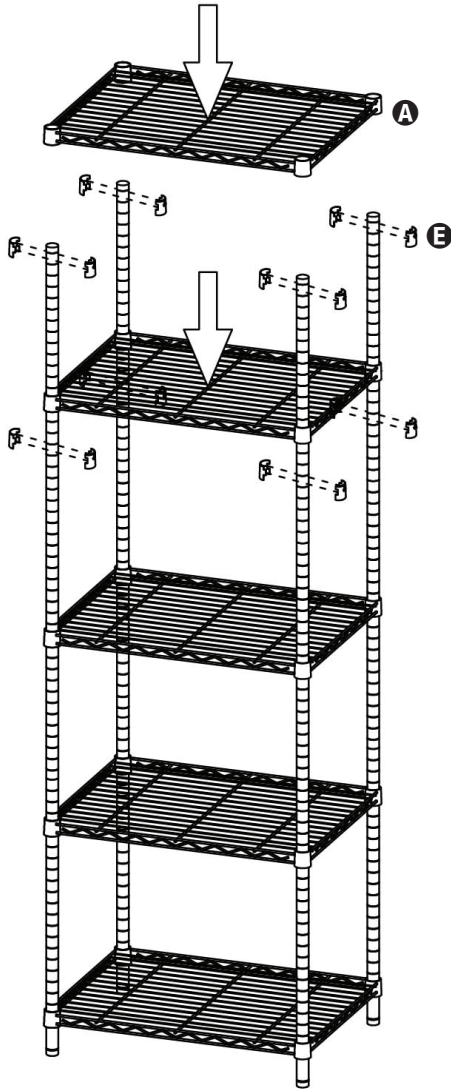
# ASSEMBLY

3



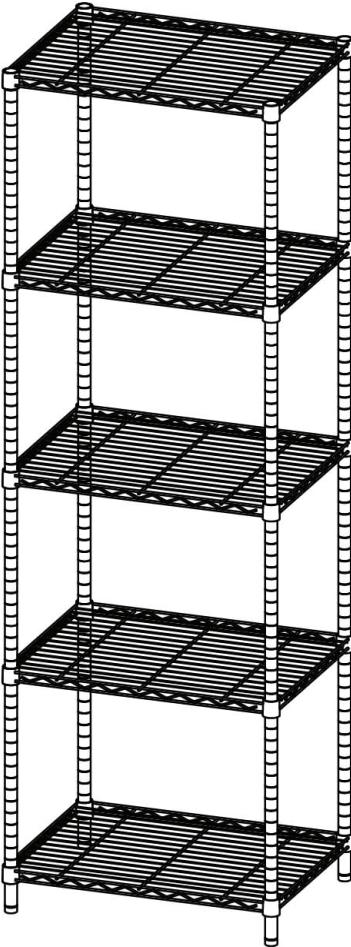
# ASSEMBLY

4



# ASSEMBLY

5





YOUR SOURCE FOR  
ORGANIZATION,  
STORAGE & STYLE

**Honey-Can-Do International**

5300 St. Charles Road, Berkeley, IL 60163 USA  
877.242.2636 | [honeycando.com](http://honeycando.com) | [customerservice@honeycando.com](mailto:customerservice@honeycando.com)  
©2019 Honey-Can-Do International, LLC | All Rights Reserved

Visit [youtube.com/myhoneycando](https://www.youtube.com/myhoneycando) to watch our assembly videos.

