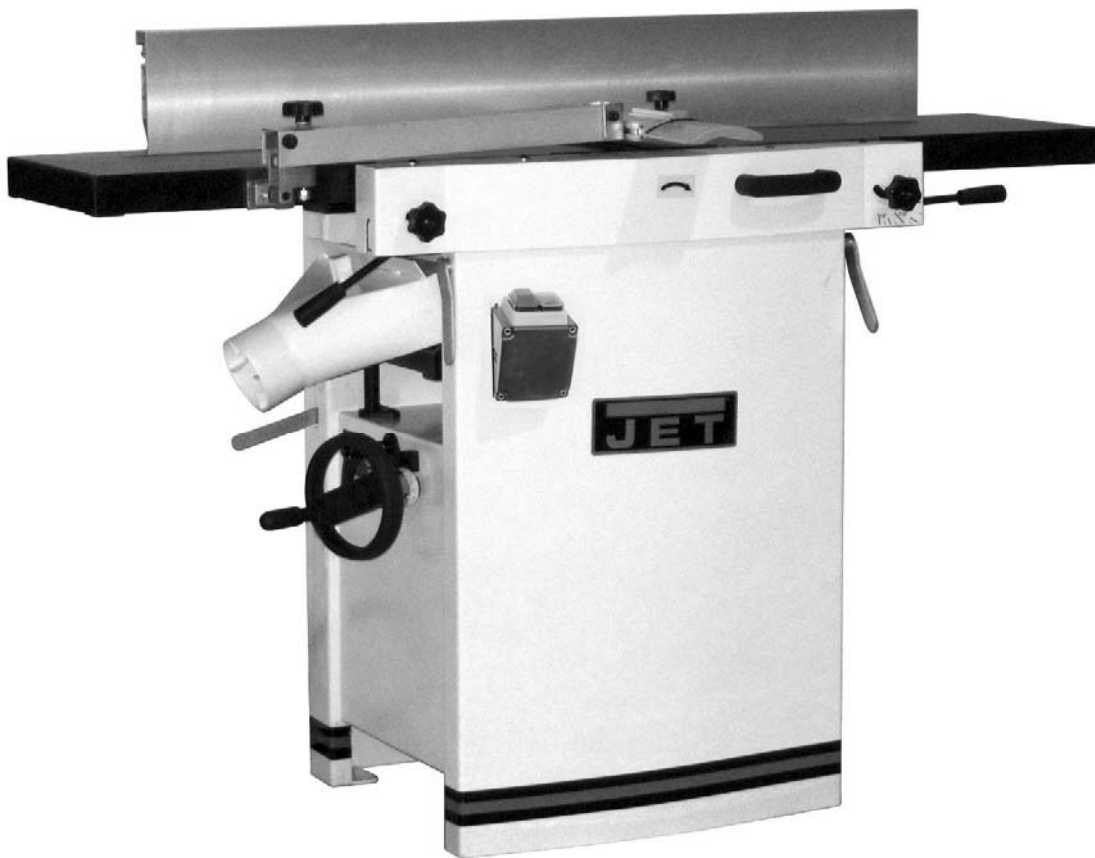


JET[®]

Operating Instructions and Parts Manual Models JJP-12 and JJP-12HH Jointer-Planer



WALTER MEIER (Manufacturing) Inc.
427 New Sanford Road
LaVergne, Tennessee 37086
Ph.: 800-274-6848
www.waltermeier.com

Part No. M-708475
Revision C1 12/2010
Copyright © 2010 Walter Meier (Manufacturing) Inc.

Warranty and Service

Walter Meier (Manufacturing) Inc., warrants every product it sells. If one of our tools needs service or repair, one of our Authorized Service Centers located throughout the United States can give you quick service. In most cases, any of these Walter Meier Authorized Service Centers can authorize warranty repair, assist you in obtaining parts, or perform routine maintenance and major repair on your JET® tools. For the name of an Authorized Service Center in your area call 1-800-274-6848.

MORE INFORMATION

Walter Meier is consistently adding new products to the line. For complete, up-to-date product information, check with your local Walter Meier distributor, or visit waltermeier.com.

WARRANTY

JET products carry a limited warranty which varies in duration based upon the product (MW = Metalworking, WW = Woodworking).

90 DAY WARRANTY	1 YEAR WARRANTY	Body Repair Kits Bottle Jacks Cable Pullers Cold Saws Hoists-Air Hoists-Electric Metal forming Mill/Drills Milling Machines MW Bandsaws MW Drill Presses MW Finishing Equipment MW Lathes MW Precision Vises	2 YEAR WARRANTY	Palet Trucks Rigging Equip. Service Jacks Stackers Surface Grinders Tapping Trolleys-Air Trolleys-Electric Web Slings Winches-Electric	3 YEAR WARRANTY	WW Benchtop Tools	5 YEAR WARRANTY	Beam Clamps Chain Hoist-Manual Lever Hoists Pullers-JCH Models Scissor Lift Tables Screw Jacks Trolleys-Geared Trolleys-Plain Winches-Manual WW Air Filtration WW Bandsaws WW Buffers	WW Drill Presses WW Dust Collectors WW Dust Filters WW Dust Fittings WW Jointers WW Lathes WW Planers WW Sanders WW Shapers WW Tablesaws	LIFE LIFETIME WARRANTY	Fastening Tools Mechanics Hand Tools Striking Tools Vises (no -precision) Clamps
Warranty reverts to 1 Year Warranty if woodworking (WW) products listed above are used for industrial or educational purposes.											

WHAT IS COVERED?

This warranty covers any defects in workmanship or materials subject to the exceptions stated below. Cutting tools, abrasives and other consumables are excluded from warranty coverage.

WHO IS COVERED?

This warranty covers only the initial purchaser of the product.

WHAT IS THE PERIOD OF COVERAGE?

The general JET warranty lasts for the time period specified in the product literature of each product.

WHAT IS NOT COVERED?

Five Year Warranties do not cover woodworking (WW) products used for commercial, industrial or educational purposes. Woodworking products with Five Year Warranties that are used for commercial, industrial or education purposes revert to a One Year Warranty. This warranty does not cover defects due directly or indirectly to misuse, abuse, negligence or accidents, normal wear-and-tear, improper repair or alterations, or lack of maintenance.

HOW TO GET SERVICE

The product or part must be returned for examination, postage prepaid, to a location designated by us. For the name of the location nearest you, please call 1-800-274-6848.

You must provide proof of initial purchase date and an explanation of the complaint must accompany the merchandise. If our inspection discloses a defect, we will repair or replace the product, or refund the purchase price, at our option. We will return the repaired product or replacement at our expense unless it is determined by us that there is no defect, or that the defect resulted from causes not within the scope of our warranty in which case we will, at your direction, dispose of or return the product. In the event you choose to have the product returned, you will be responsible for the shipping and handling costs of the return.

HOW STATE LAW APPLIES

This warranty gives you specific legal rights; you may also have other rights which vary from state to state.

LIMITATIONS ON THIS WARRANTY

WALTER MEIER (MANUFACTURING) INC., LIMITS ALL IMPLIED WARRANTIES TO THE PERIOD OF THE LIMITED WARRANTY FOR EACH PRODUCT. EXCEPT AS STATED HEREIN, ANY IMPLIED WARRANTIES OR MERCHANTABILITY AND FITNESS ARE EXCLUDED. SOME STATES DO NOT ALLOW LIMITATIONS ON HOW LONG THE IMPLIED WARRANTY LASTS, SO THE ABOVE LIMITATION MAY NOT APPLY TO YOU.

WALTER MEIER SHALL IN NO EVENT BE LIABLE FOR DEATH, INJURIES TO PERSONS OR PROPERTY, OR FOR INCIDENTAL, CONTINGENT, SPECIAL, OR CONSEQUENTIAL DAMAGES ARISING FROM THE USE OF OUR PRODUCTS. SOME STATES DO NOT ALLOW THE EXCLUSION OR LIMITATION OF INCIDENTAL OR CONSEQUENTIAL DAMAGES, SO THE ABOVE LIMITATION OR EXCLUSION MAY NOT APPLY TO YOU.

Walter Meier sells through distributors only. The specifications in Walter Meier catalogs are given as general information and are not binding. Members of Walter Meier reserve the right to effect at any time, without prior notice, those alterations to parts, fittings, and accessory equipment which they may deem necessary for any reason whatsoever. JET®-branded products are not sold in Canada by Walter Meier.

Table of Contents

Warranty and Service	2
Table of Contents	3
Warnings	4
Specifications	7
Features and Terminology	8
Receiving	8
Unpacking	8
Electrical Connection	8
Operating Controls	9
Jointer to Planer Setup	9
Planer to Jointer Setup	9
Power	10
Planer Controls and Adjustments	10
Jointer Controls and Adjustments	10
Adjustments	12
Table and Knife Adjustments	12
Coplanar Alignment	12
Setting Cutterhead Knives (Straight Knives Only)	14
Replacing Cutter Knives (Straight Knives Only)	15
Replacing or Rotating Knife Inserts (Helical Cutterhead only)	15
Jointer Table Lock Handle Adjustment	16
Belt Replacement	16
Planer Table Adjustment	18
Basic Operations	19
Dust Collection	19
Initial Startup	19
Changing Mode of Operation	19
Jointer Operations	19
Planer Operations	21
Maintenance	23
Blade Care	23
Sharpening the Knives (Straight Knives Only)	23
Lubrication	23
Troubleshooting	24
Performance Troubleshooting – Jointer	24
Performance Troubleshooting – Planer	25
Mechanical Troubleshooting – Planer/Jointer	26
Parts List	27
Assembly Drawings	32
Infeed Table Assembly	32
Outfeed Table Assembly	33
Cutterblock Assembly	34
Base Assembly	35
Motor Assembly	36
Planer Table Assembly	37
Fence Assembly	38
Electrical Connection	39
Accessories	39
Ordering Replacement Parts	40

The specifications in this manual are given as general information and are not binding. Walter Meier (Manufacturing), Inc. reserves the right to effect, at any time and without prior notice, changes or alterations to parts, fittings, and accessory equipment deemed necessary for any reason whatsoever.



Warnings

1. Read and understand the entire owner's manual before attempting assembly or operation.
2. Read and understand the warnings posted on the machine and in this manual. Failure to comply with all of these warnings may cause serious injury.
3. Replace the warning labels if they become obscured or removed.
4. This Woodworking Jointer-planer is designed and intended for use by properly trained and experienced personnel only. If you are not familiar with the proper and safe operation of a woodworking jointer or planer, do not use until proper training and knowledge have been obtained.
5. Do not use this for other than its intended use. If used for other purposes, Walter Meier (Manufacturing) Inc., disclaims any real or implied warranty and holds itself harmless from any injury that may result from that use.
6. Always wear approved safety glasses/face shields while using this woodworking jointer-planer. Everyday eyeglasses only have impact resistant lenses; they are not safety glasses.
7. Before operating this woodworking jointer-planer, remove tie, rings, watches and other jewelry, and roll sleeves up past the elbows. Remove all loose clothing and confine long hair. Non-slip footwear or anti-skid floor strips are recommended. Do **not** wear gloves.
8. Wear ear protectors (plugs or muffs) during extended periods of operation.
9. Some dust created by power sanding, sawing, grinding, drilling and other construction activities contain chemicals known to cause cancer, birth defects or other reproductive harm. Some examples of these chemicals are:
 - Lead from lead based paint.
 - Crystalline silica from bricks, cement and other masonry products.
 - Arsenic and chromium from chemically treated lumber.Your risk of exposure varies, depending on how often you do this type of work. To reduce your exposure to these chemicals, work in a well-ventilated area and work with approved safety equipment, such as face or dust masks that are specifically designed to filter out microscopic particles.
10. Do not operate this machine while tired or under the influence of drugs, alcohol or any medication.
11. Make certain the switch is in the **OFF** position before connecting the machine to the power source.
12. Make certain the machine is properly grounded.
13. Make all machine adjustments or maintenance with the machine unplugged from the power source.
14. Remove adjusting keys and wrenches. Form a habit of checking to see that keys and adjusting wrenches are removed from the machine before turning it on.
15. Keep safety guards in place at all times when the machine is in use. If removed for maintenance purposes, use extreme caution and replace the guards immediately.
16. Make sure the woodworking jointer-planer is firmly secured to the floor or bench before use.
17. Check damaged parts. Before further use of the machine, a guard or other part that is damaged should be carefully checked to determine that it will operate properly and perform its intended function. Check for alignment of moving parts, binding of moving parts, breakage of parts, mounting and any other conditions that may affect its operation. A guard or other part that is damaged should be properly repaired or replaced.
18. Provide for adequate space surrounding work area and non-glare, overhead lighting.
19. Keep the floor around the machine clean and free of scrap material, oil and grease.
20. Keep visitors a safe distance from the work area. **Keep children away.**

Warnings

21. Make your workshop child proof with padlocks, master switches or by removing starter keys.
22. Give your work undivided attention. Looking around, carrying on a conversation and “horse-play” are careless acts that can result in serious injury.
23. Maintain a balanced stance at all times so that you do not fall or lean against the spindle or other moving parts. Do not overreach or use excessive force to perform any machine operation.
24. Use the right tool at the correct speed and feed rate. Do not force a tool or attachment to do a job for which it was not designed. The right tool will do the job better and safer.
25. Use recommended accessories; improper accessories may be hazardous.
26. Maintain tools with care. Keep drill bits sharp and clean for the best and safest performance. Follow instructions for lubricating and changing accessories.
27. Make sure the work piece is securely attached or clamped to the table. Never use your hand to hold the work piece.
28. Turn off the machine before cleaning. Use a brush or compressed air to remove chips or debris — do not use your hands.
29. Do not stand on the machine. Serious injury could occur if the machine tips over.
30. Never leave the machine running unattended. Turn the power off and do not leave the machine until it comes to a complete stop.
31. Before turning on machine, remove all extra equipment such as keys, wrenches, scrap, stock, and cleaning rags away from the machine.
32. Always use a hold-down or push block when surfacing stock less than 12" inches long, or 3 inches wide, or 3 inches thick.
33. Do not perform jointing operations on material shorter than 8", narrower than 3/4" or less than 1/4" thick.
34. The hands must never be closer than 3 inches to the cutterhead (see Figure).
35. Never apply pressure to stock directly over the cutterhead. This may result in the stock tipping into the cutterhead along with the operator's fingers. Position hands away from extreme ends of stock, and push through with a smooth, even motion. Never back workpiece toward the infeed table.
36. To avoid kickback, the grain must run in the same direction you are cutting. Before attempting to joint, or plane, each work piece must be carefully examined for stock condition and grain orientation.
37. When working with a swirl grain wood or burls, making it necessary to plane against the grain, use a lesser depth of cut and a slow rate of feed.
38. Move the hands in an alternate motion from back to front as the work continues through the cut. Never pass the hands directly over the cutter knife. As one hand approaches the knives remove it from the stock in an arc motion and place it back on the stock in a position beyond the cutter knife (see Figure A).

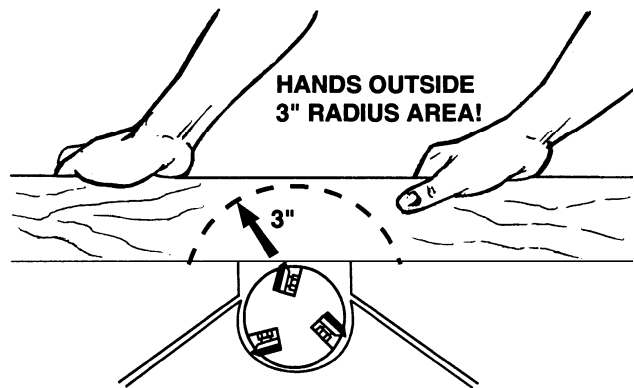


Figure A



Warnings

39. At all times hold the stock firmly.
40. Do not use this machine for other than it intended use. If used for other purposes, Walter Meier (Manufacturing) Inc., disclaims any real or implied warranty and holds itself harmless for any injury or damage which may result from that use.

Familiarize yourself with the following safety notices used in this manual:

CAUTION This means that if precautions are not heeded, it may result in minor injury and/or possible machine damage.

WARNING This means that if precautions are not heeded, it may result in serious injury or possibly even death.

- - SAVE THESE INSTRUCTIONS - -

Specifications

Model number	JJP-12.....	JJP-12HH
Stock number	708475.....	708476
Cutterhead speed (RPM)	5500.....	5500
Cutterhead diameter (in.)	2-3/4.....	2-3/4
Number of knives.....	3.....	56 inserts
Knife size (LxWxT)(in.)	12 x 1-3/5 x 1/8.....	0.59 x 0.59 x 0.10
Dust port diameter (in.)	4.....	4
Dust Collection Minimum CFM.....	400.....	400
Jointer table size (LxW/in.).....	55 x 12.....	55 x 12
Table height from floor (in.).....	33-1/2.....	33-1/2
Max stock removal (in.).....	1/8.....	1/8
Fence size (LxW/in.).....	43 x 6.....	43 x 6
Fence tilt	90°- 45° R.....	90°- 45° R
Fence positive stop.....	90° and 45°R.....	90° and 45°R
Planer table size (LxW/in.).....	21-1/4 x 12.....	21-1/4 x 12
Full width cutting depth (in.)	1/8.....	See Table 1 below
Maximum cutting thickness (in.).....	8 -3/4.....	8-3/4
Max depth of cut (in.).....	5/32.....	See Table 1 below
Min length of work piece (in.)	6.....	6
Feed rate.....	20 fpm.....	12 fpm
Motor, TEFC.....	3HP, 1PH, 230V only, 60Hz, 12.5A.....	3HP, 1PH, 230V only, 60Hz, 12.5A
Switch	magnetic switch with limit switch.....	magnetic switch with limit switch
Overall Dimensions (LxWxH/in.)	55 x 29-1/2 x 39-2/5.....	55 x 29-1/2 x 39-2/5
Stand Footprint (LxW/in.).....	22 x 19-1/2.....	22 x 19-1/2
Net weight (lbs.)	500.....	500

Full Width Cutting Depths for Helical Cutterheads During Planing	
Very dense and/or very tight grained lumber (IE, Rock Maple, Purpleheart, Ipe)	No more than 1/16" per full width cut per pass
Dense and/or tight grained lumber (IE Oak, Ash, Walnut)	No more than 3/32" per full width cut per pass
Soft woods (IE Douglas Fir or White Pine)	No more than 1/8" per full width cut per pass

Table 1

⚠WARNING Read and understand the entire contents of this manual before attempting assembly or operation! Failure to comply may cause serious injury!

Features and Terminology

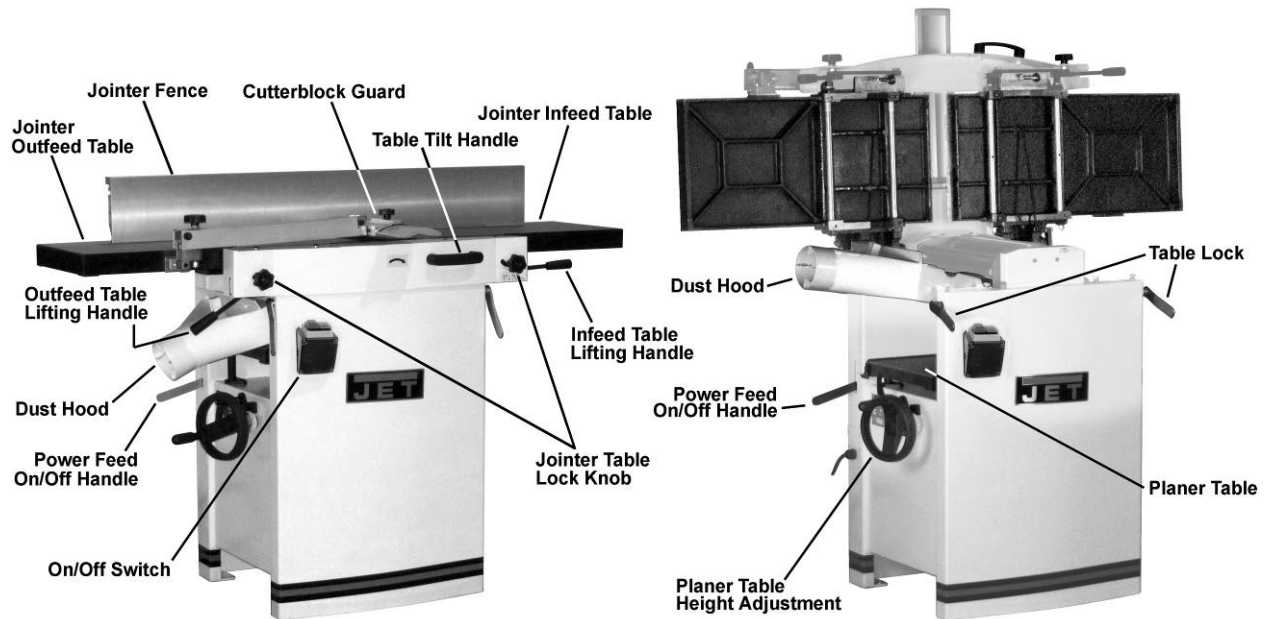


Figure 1 – Features and Terminology

Receiving

Carefully unpack the machine and any loose items from the wood crate and inspect for damage. Any damage should be reported immediately to your distributor and shipping agent. Before proceeding further, read your manual thoroughly to familiarize yourself with proper assembly, maintenance and safety procedures.

Remove the screws that hold the machine to the shipping skid. Remove the protective coating from the table, bed rolls, feed rolls, cutterhead and loose items packed with the machine. This coating may be removed with a soft cloth moistened with kerosene. Do not use acetone, gasoline or lacquer thinner for this purpose. Do not use solvents on plastic parts.

CAUTION Use care when cleaning the cutterhead; the knives are very sharp.

Unpacking

1. Remove all contents from the shipping carton. Do not discard the carton or packing material until the machine is set up and running satisfactorily.
2. Inspect the contents for shipping damage. Report damage, if any, to your distributor.

Tools Required for Assembly

- 1 Accurate Straight Edge (approximately 2 ft)
- 1 Cross-point Screwdriver
- 1 4mm Hex Wrench (included)
- 1 5mm Hex Wrench
- 1 6mm Hex Wrench (included)
- 1 10mm Box Wrench
- 1 13mm Box Wrench

Note: Use of sockets and ratchets will speed assembly time but are not required.

Electrical Connection

WARNING All electrical connections must be done by a qualified electrician. All adjustments or repairs must be done with the machine disconnected from the power source, unplugged. Failure to comply may result in serious injury!

The Model JJP-12 and JJP-12HH Jointer-Planer is rated at 230V. This machine is not supplied with a plug. Use a plug and outlet rated at least 30 amps. The circuit for the machine should also be protected by at least a 30 amp circuit breaker or fuse.

Make sure that the cutterhead moves in the correct direction. If it does not, simply reverse two of the phase wires on the supply input.

Operating Controls

⚠WARNING Disconnect machine from power source before making any adjustments. Failure to comply may cause serious injury.

⚠WARNING Cutterhead knives are dangerously sharp. Use extreme caution when working around them. Failure to comply may cause serious injury.

Jointer to Planer Setup

To change the machine configuration jointer to planer (refer to Figure 2):

1. Release both *cabinet table locks* (A) by rotating the handles toward the operator, then pulling away from the machine.
2. Raise the *table* (C) using the *handle* (B).

⚠CAUTION Table is heavy. Use care when raising. Failure to comply may cause serious injury.

When raised, the table should be in the vertical position as shown in C, Fig. 3. The *latch* (E, Fig. 3) should be engaged, preventing the table from an accidental forward fall.

3. Position the *dust chute* (D, H Fig. 3) to the right. Use extreme care to avoid contact with cutterhead knives.

Note: The planer table may need to be lowered to allow clearance needed to position the dust chute.

Planer to Jointer Setup

Referring to Figure 3:

To change the machine configuration from planer to jointer:

1. Pull the *release knob* (F) and reposition the *dust chute* (D, G) to the left. It should be positioned as shown in D, Fig. 2.

⚠CAUTION Table is heavy. Use care when lowering. Failure to comply may cause serious injury.

2. Release the *latch* (E) and bring the table forward using the *tilt handle* (B). It should be positioned as shown in C, Fig. 2.
3. Lock the *table* (C) by pushing the *lock handles* (A) in toward the machine and rotating down (away from the operator).

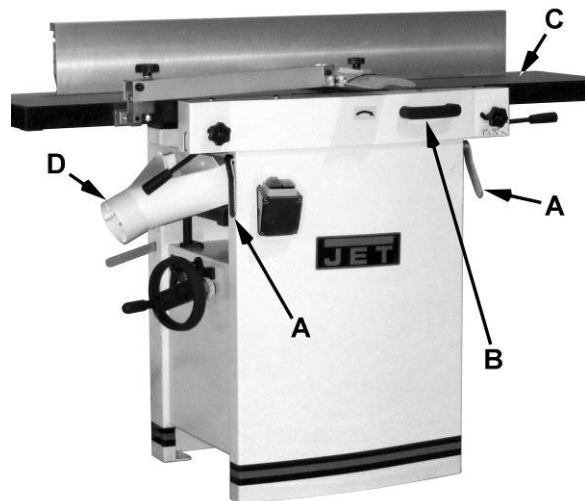


Figure 2

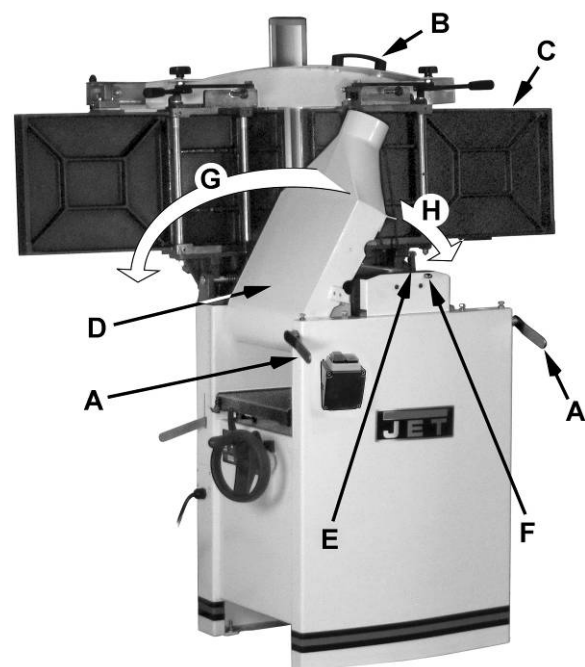


Figure 3

Power

Once a properly rated plug is connected, plug power cord into outlet. Press the green *on* button (A, Fig. 4) to start. Press the red *off* button (B, Fig. 4) to stop.

Planer Controls and Adjustments

Referring to Figure 5:

Power Feed

Placing the planer *power feed handle* (D) in the *up* position turns the planer power feed *on* (see arrow). Placing the handle in the *down* position turns the power feed *off*.

Table Lock

Turn the *table lock* (E) clockwise to lock the *height adjustment handwheel* (F) and secure the *planer table* (C) in its selected position. Turn the *table lock* (E) counterclockwise to release and permit table adjustment.

Table Height Adjustment

The planer table height is set as follows:

1. Unlock the *table lock* (E).
2. Rotate the *height adjustment handwheel* (F) clockwise to raise the *planer table* (C), counterclockwise to lower.
3. Lock the *table lock* (E).

Each revolution of the *handwheel* (F) results in a $5/32$ " up or down movement of the *table* (C). A scale on the handwheel column indicates the amount of handwheel rotation. A *pointer* (B) indicates the table position relative to the cutterhead on the *scale* (A) located on the side of the cabinet.

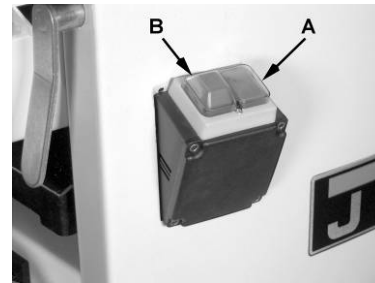


Figure 4

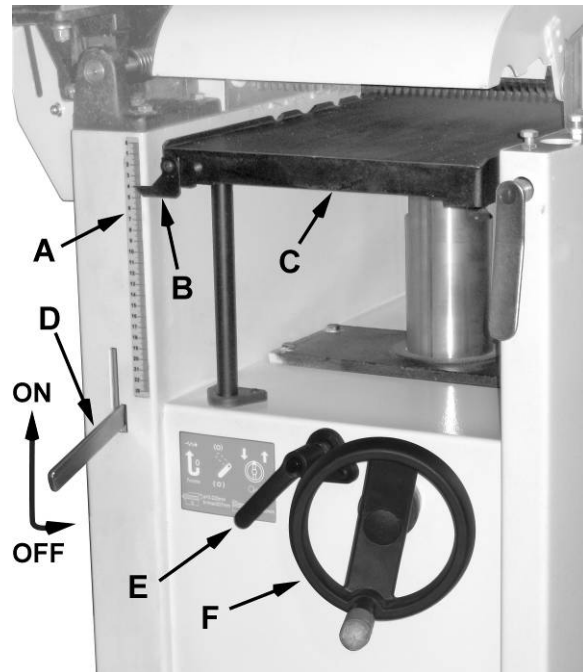


Figure 5

Jointer Controls and Adjustments

Referring to Figure 6:

Outfeed Table Height Adjustment

Lock knob (C) and *lifting handle* (B) control the height adjustment of the *outfeed table* (A). The outfeed table is initially adjusted at the factory and should not be repositioned except during certain adjustments. These are described in *Table and Knife Adjustments* on page 12.

Infeed Table Height Adjustment

Lock knob (D) and *lifting handle* (E) control the height adjustment of the *infeed table* (F).

To adjust:

1. Loosen *lock knob* (D).
2. Raise the *lifting handle* (E) to raise the infeed table for a shallow depth of cut. Lower the

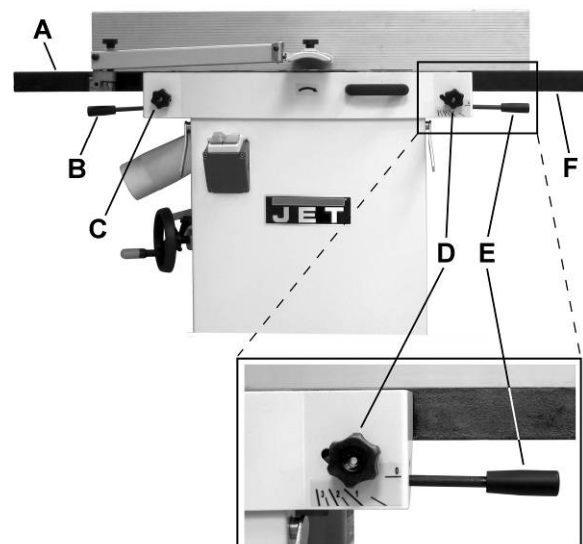


Figure 6

handle for a deeper cut.

3. Tighten the *lock knob* (D).

The infeed table lifting handle in the fully lowered position results in a depth of cut of 5/32".

Note: A depth of cut of 1/16" or less is recommended.

Cutterhead Guard

Properly positioned, the *cutterhead guard* (H) should rest against the *fence* (A).

Fence Movement

Referring to Figure 7:

The *fence* (A) can be moved forward (B) or backward (C) across the width (W) of the table. It also tilts up to 45 degrees backwards (D).

Loosen the *lock knob* (J), slide the guard into position, then tighten the lock knob.

To slide fence forward or backward:

When edge jointing, the fence assembly should periodically be moved to different positions to distribute wear on the cutterhead knives. This is done as follows:

1. If necessary, loosen the *cutterhead guard* (H) to permit the fence assembly to move freely without being constrained by the guard.
2. Loosen two fence assembly *locking handles* (E).
3. Move the entire fence assembly to the desired position; then re-tighten the *handles* (E).
4. Readjust and secure the cutterhead guard.

To tilt fence backward:

The *fence* (A) can be tilted *backward* (D) up to 45° (that is, for a total included angle of 135° from table surface) as follows:

1. Loosen *locking handles* (F).
2. Tilt the *fence* back (A, C) to the desired angle up to 135 degrees. Or you can place your beveled reference piece on the table and against the fence, adjusting the fence until the angle of the fence matches the bevel of your gauge piece.
3. Tighten the *locking handles* (F).
4. Readjust and secure the cutterhead guard.

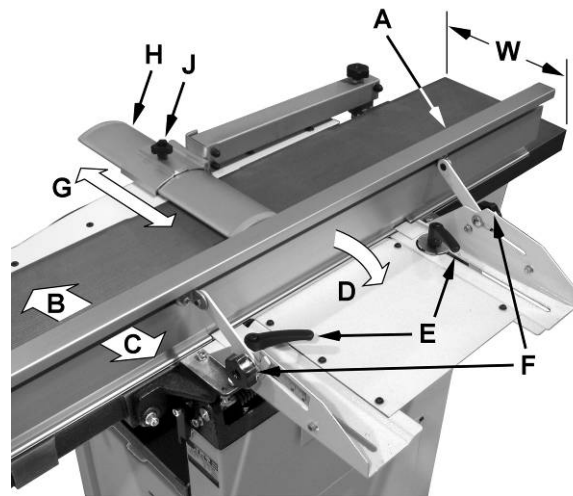


Figure 7

Adjustments

Table and Knife Adjustments

For accurate jointing, at least three things must be true:

1. Infeed and outfeed tables must be coplanar.
2. Knives or knife inserts must be set in the cutterhead so that the highest point of their arc is level with the outfeed table.
3. On the standard cutterhead, knives must be parallel with the outfeed table across the entire length of the knives.

These alignments are explained below.

⚠WARNING Disconnect machine from power source before making any adjustments. Failure to comply may cause serious injury.

Coplanar Alignment

Definition of coplanar

When the infeed table is set to the same level as the outfeed table and together both tables form a "perfect" flat surface, the tables are said to be coplanar.

For optimum performance of the jointer, the infeed and outfeed tables must be coplanar. If they are not, the finished workpiece may have a slight taper or twist across its jointed width or length.

Determining if tables are coplanar

The tables have been set coplanar at the factory, but they should be double-checked by the operator. Also, as the machine undergoes use, the tables should be checked occasionally and adjusted if necessary.

The procedure described below uses a steel straight edge to set the tables, which should be accurate enough for most purposes.

Important: The tables must be locked in position when performing the following test.

Referring to Figures 8 and 9:

1. Disconnect jointer from power source.
2. Loosen the *lock knob* (A) and slide the *cutterhead guard* (B, C) to clear the table.
3. Slide the *fence assembly* back (H, E) as far as it will go, or remove it from the machine entirely.
4. Rotate the cutterhead to avoid knife interference.

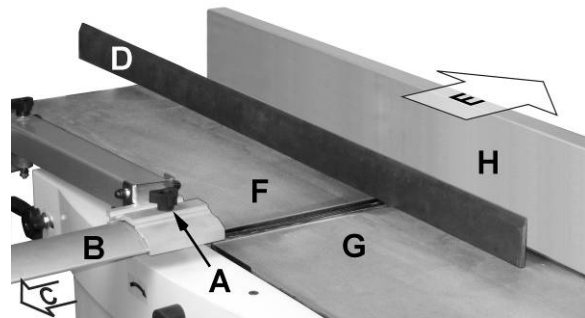


Figure 8

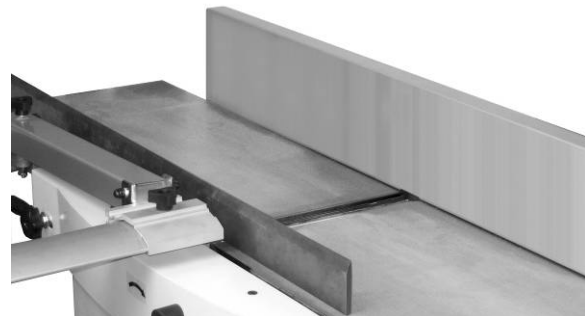


Figure 9

5. Place a *straight edge* (D) across the front of the *outfeed table* (F) and extending over the *infeed table* (G). Note the position of the *infeed table* (G). Note the position of the straight edge in Figure 8 with respect to the *fence* (H).
6. Raise the *infeed table* (G) until it contacts the *straight edge* (D).

The straight edge should lie level across both tables. Move the straight edge to the back of the outfeed table as shown in Figure 9 and perform the same test.

If the straight edge does not lie level, the front or back of one of the tables must be adjusted to make the tables coplanar. Proceed as described in *Performing the Coplanar Alignment* (following page).

Performing the Coplanar Alignment

If alignment is required as determined in the previous section, proceed as follows:

⚠WARNING Disconnect machine from power source before making any adjustments. Failure to comply may cause serious injury.

1. Disconnect power from machine.
2. Unlock both *cabinet lock* handles (A_2).
3. Raise the *table* (D) fully upright.

Adjustment is performed by means of four *setscrews* (B_2) that adjust the table pitch and tilt at the back (towards the fence) and two *hex cap screws* (A_1) that adjust the table toward the front.

Adjustment can consist of a *front adjustment*, *rear adjustment* or (more probable) a combination of both.

Rear adjustment

Tools required – 13mm wrench, 4mm hex wrench

1. With a 13mm wrench, loosen three *hex cap screws* (B_1).
2. Using a 4mm hex wrench, make very slight adjustments of 1/8 to 1/4 turns to four *setscrews* (B_2) as required.

A clockwise turn will raise the table; a counterclockwise turn will lower the table. Adjusting the two right setscrews will have greatest adjustment impact to the table's right side; adjusting the two left setscrews will have greatest adjustment impact to the table's left side.

3. When adjustment is complete, tighten the *hex cap screws* (B_1).

Front adjustment

Tools required – two 13mm wrenches

1. Hold the *hex cap screws* (A_1) in place with one wrench while using the other to loosen the locking hex nuts.
2. Adjust the screws (A_1) slightly from 1/8 to 1/4 turn.

A counterclockwise turn will raise the table; a clockwise turn will lower the table. Adjusting the right screw will have greatest adjustment impact to the table's right side; adjusting the left screws will have greatest adjustment impact to the table's left side.

3. When adjustment is complete, secure by tightening the hex nut while maintaining the position of the screw with the second wrench.

It may be necessary to repeat the exercise in this

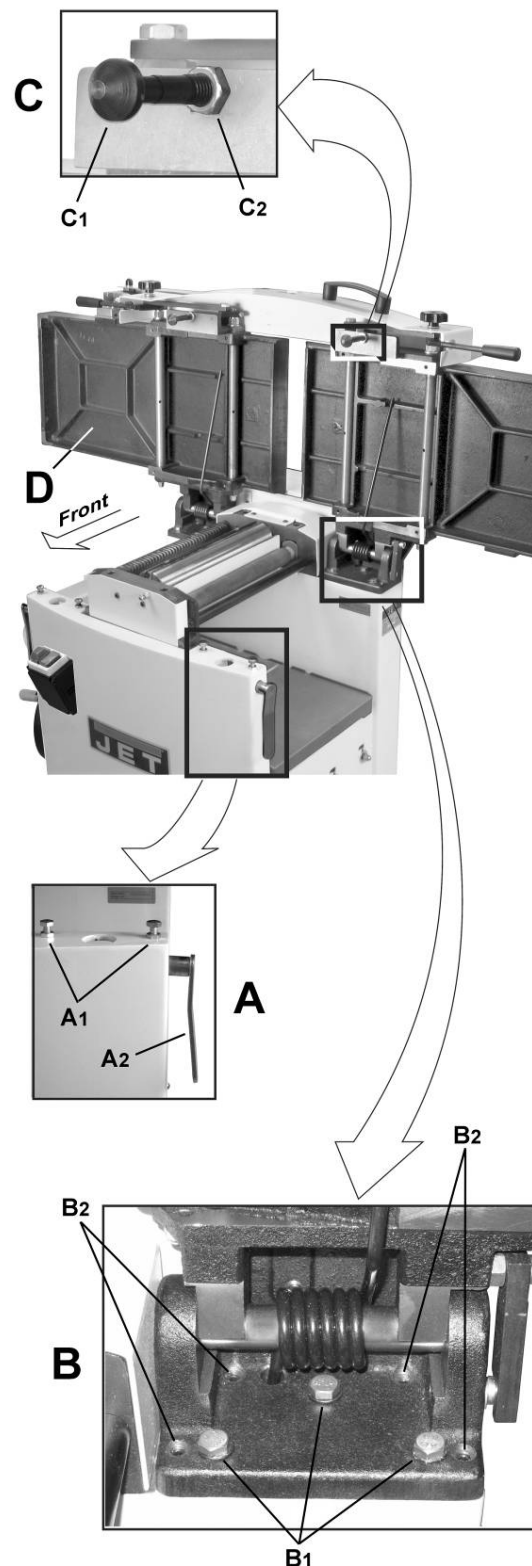


Figure 10

section more than once to achieve co-planar alignment.

Note: If the tables do not lock properly after the adjustment, see *Jointer Table Lock Handle Adjustment* on page 15.

Setting Cutterhead Knives (Straight Knives Only)

Important: Before performing any adjustments in this section, the infeed and outfeed tables must be coplanar (see Coplanar Alignment on page 12).

⚠WARNING Cutterhead knives are dangerously sharp! Use extreme caution when inspecting, removing, sharpening or replacing knives into the cutterhead. Failure to comply may cause serious injury!

1. Disconnect machine from the power source.
2. Remove the *cutterhead guard* (B, Fig. 8).

Referring to Figures 11 and 12:

3. Carefully number each *knife blade* (C) with a magic marker to differentiate each.

Note: Rotate the cutterhead via the cutterhead pulley. Remove the back panel of the cabinet for access.

4. Rotate the *cutterhead* (E) and determine the 12 o'clock position of knife number one. The 12 o'clock position is the highest point a blade will reach in the cutting arc (C, Fig. 12).
5. Set a *straightedge* (J) on the *outfeed table* (F) near the *fence* (H). One end of the straightedge should be positioned over the *cutting knife* (C) near the end of the blade as shown in Fig. 9.

⚠CAUTION Use care when handling the straightedge near blades to prevent damage.

Note the position of the knife blade with respect to the straightedge, then move the straightedge to the other side of the table and again note the position of the knife blade with respect to the straight-edge.

Blade number one must be at the same height at each end and must also be at the same height as the outfeed table (bottom of straightedge). If this is not the case, adjustment is required as follows:

6. Slightly loosen five *gib lock screws* (A) by turning *into* the *lock bar* (B), clockwise as viewed from the *infeed table* (G).
7. Adjust the blade height by turning *jack screws* (D) upon which the blades rest. To lower the blade, turn the screw clockwise. To raise, turn the screw counter-clockwise.
8. When the blade is at the proper height, alternately tighten the five *gib lock screws* (A).

Repeat steps 4 – 8 for blades two and three.

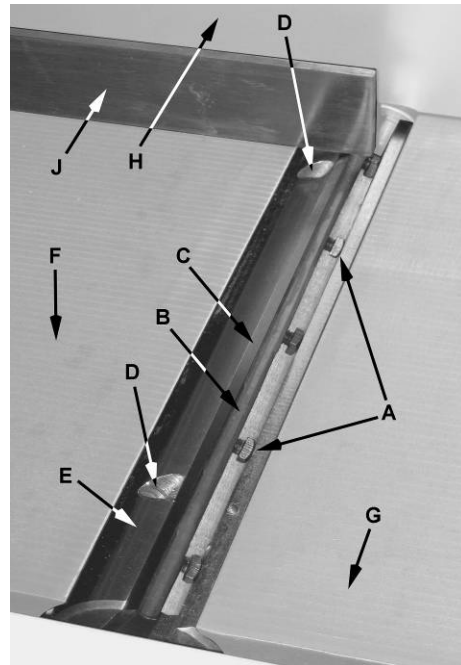


Figure 11

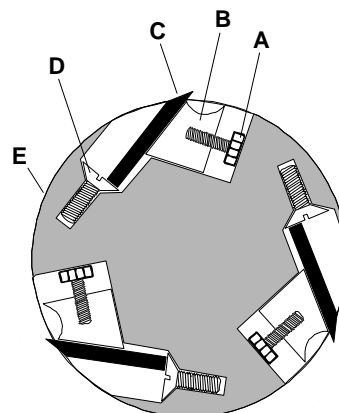


Figure 12

Replacing Cutter Knives (Straight Knives Only)

⚠WARNING Disconnect machine from power source before making any adjustments. Failure to comply may cause serious injury.

1. Disconnect machine from the power source.
2. Remove the *cutterhead guard* (B, Fig. 6).

⚠WARNING Cutterhead knives are dangerously sharp. Use extreme caution when inspecting, removing, sharpening, or replacing knives into the cutterhead. Failure to comply may cause serious injury.

Referring to Figures 11 and 12 (page 14):

3. Turn all five *screws* (A) into the *lock bar* (B) by turning in a clockwise direction as viewed from the *infeed table* (G).
4. Carefully remove the *cutter knife* (C) and *lock bar* (B).
5. Repeat for remaining two knives.
6. Thoroughly clean all surfaces of the cutterhead, knife slots and lock bars of any dust or debris.
7. Insert replacement *knife* (C) into the knife slot, making sure it faces the proper direction.
8. Insert *lock bar* (B) and tighten just enough to hold in place.
9. Repeat for other two blades.

The knives must now be adjusted as described in *Setting Cutterhead Knives* on page 14.

Replacing or Rotating Knife Inserts (Helical Cutterhead Only)

The knife inserts on the model JJP-12HH are four-sided. When dull, simply remove each insert, rotate it 90° for a fresh edge, and re-install it.

Use the provided star point screwdriver to remove the knife insert screw. See Figure 12a. It is advisable to rotate all inserts at the same time to maintain consistent cutting. However, if one or more knife inserts develops a nick, rotate only those inserts affected.

Each knife insert has an etched reference mark to keep track of the rotations.

An extra set of 10 knife insert screws and 10 extra knife inserts are included with your JJP-12HH.

IMPORTANT: When removing or rotating inserts, clean saw dust from the screw, the insert, and the cutterhead platform. Dust accumulation between

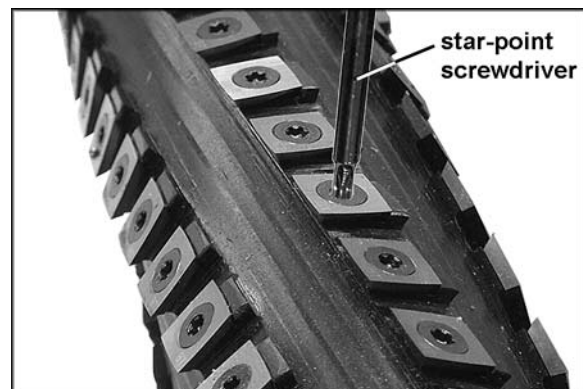


Figure 12a
(Model JJP-12HH only)

these elements can prevent the insert from seating properly, and may affect the quality of the cut.

Before installing each screw, lightly coat the screw threads with machine oil and wipe off any excess.

Securely tighten each screw which holds the knife inserts before operating the planer!

⚠WARNING Make sure all knife insert screws are tightened securely. Loose inserts can be propelled at high speed from a rotating cutterhead, causing injury.

Jointer Table Lock Handle Adjustment

Referring to Figure 10 on page 13:

For best performance, the jointer *table lock handles* (A₂) should be approximately in the fully down position when in the locked position. If adjustment is required:

1. Disconnect machine from power source.
2. Unlock the *lock handle* (A₂) and raise the table to the upright position.
3. Loosen *locking nut* (C₂) with an 18mm wrench.
4. Adjust the *table locking shaft* (C₁) in increments of 1/4 turns or less. Turn clockwise to tighten the lock handle performance and counterclockwise to loosen.
5. Tighten the *locking nut* (C₂).
6. Test the locking function and repeat if necessary.

Belt Replacement

⚠WARNING Disconnect machine from power source before making any adjustments. Failure to comply may cause serious injury.

Preparation

To replace the *cutterhead drive belt* and/or the *planer feed-roller belt*, the jointer fence assembly and two back panels must first be removed as described below. A 4mm hex wrench and two 13mm wrenches are required.

1. Remove the *jointer fence assembly* (A) by first loosening and removing two *lock handle assemblies* (B). A 4mm hex wrench is helpful, but not necessary.
2. Remove two *button head socket screws* (C) and *upper back panel* (D).
3. Remove four *button head socket screws* (O) and *lower back panel* (P).

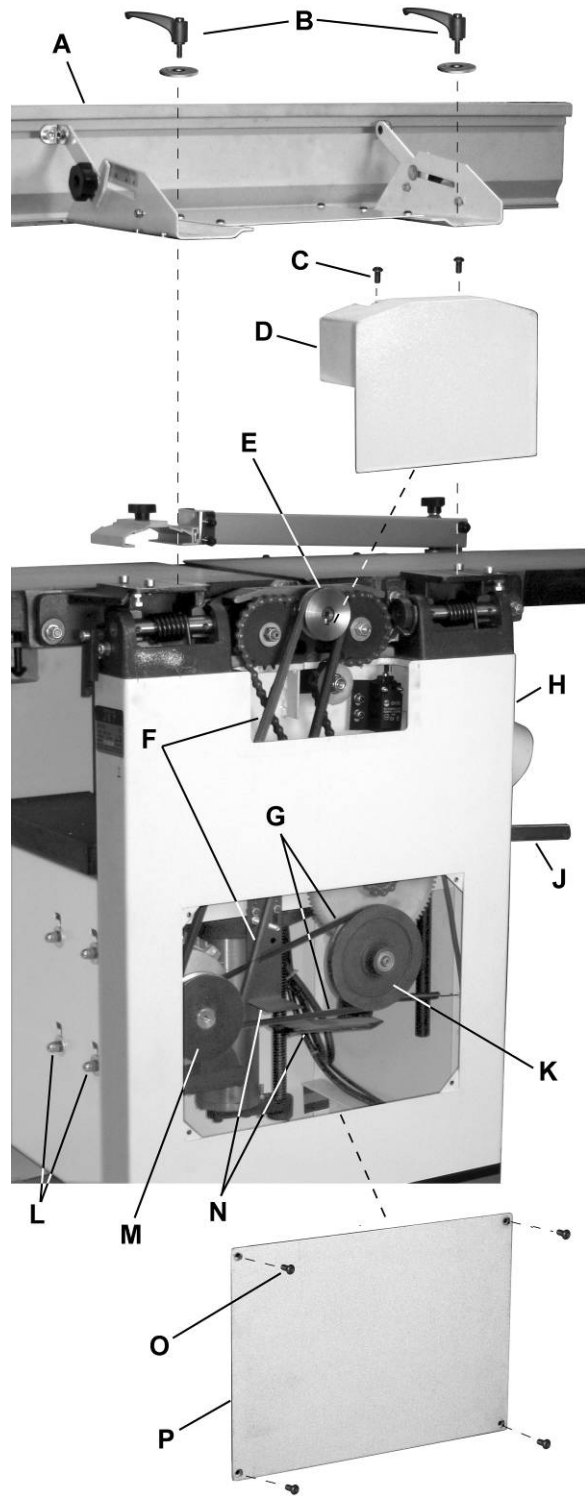


Figure 13

Cutterhead Drive Belt Replacement

4. Loosen four *motor mount screws* (L). Lift the motor and rest it in the horizontal slot side of the motor mount opening. This will create a slack in the *cutterhead drive belt* (F).
5. Remove the *cutterhead drive belt* (F) from around the *cutterhead pulley* (E) and *motor pulley* (M).
6. If the *feed-roller belt* (K) is to be replaced, continue. Otherwise proceed to step 10.

Feed-roller Belt Replacement

Note: If the feed-roller belt is to be replaced, steps 1–5 must be performed to remove the cutterhead drive belt before the feed-roller belt can be replaced.

7. Place the *power feed handle* (J) in the *down* (off/disengaged) position, which provides belt slack for the next step.
8. Remove the *feed-roller belt* (G) from around the *feed-roller pulley* (K) and *motor pulley* (M).
9. Loop the new belt around the smaller (inner) *motor pulley* (M) and *feed-roller pulley* (K).

Note: The lower stretch of the feed-roller pulley must be positioned between the *belt-brake plates* (N).

Concluding Steps

10. Replace the *cutterhead drive belt* (F) by looping it around the *cutterhead pulley* (E), then the larger (outside) *motor pulley* (M)
11. Slide the motor so that the *mounting screws* (L) rest back in the vertical slot openings, then tighten the mounting screws.
12. Replace the *lower back panel* (P) and secure with four *button head socket screws* (O).
13. Replace the *upper back panel* (D) and secure with two *button head socket screws* (C).
14. Replace the *jointer fence assembly* (A) and secure with two *lock handle assemblies* (B).

Planer Table Adjustment

⚠WARNING Disconnect machine from power source before making any adjustments. Failure to comply may cause serious injury.

Checking Planer Table Parallel to Cutterhead

The planer table is set parallel to the cutterhead at the factory and no further adjustment should be needed. If your machine is planing a taper, first check to see if the knives are properly adjusted in the cutterhead (see *Setting Cutterhead Knives* on page 14) and make adjustments if necessary.

After the knives are confirmed to be properly set, check to see if the work table is set parallel to the cutterhead as follows.

1. Disconnect machine from power source.
2. Rotate the cutterhead such that one of the *knife blades* (A, Fig. 14) is at the 6 o'clock position.

Referring to Figure 15:

3. Place a *gauge block* (B) or another measuring device on the *work table* (C) at one edge (D) directly under the cutterhead.
4. Unlock the *table lock handle* (F).
5. With the *handwheel* (G), gently raise the *table* (C) until the *gauge block* (B) makes slight contact with the tip of the knife blade, then lock the table.
6. Move the *gauge block* (B) to opposite end of table (E).

If the distance from the table to tip of the knife blade is the same at both ends, the table is parallel to the cutterhead.

Adjusting Work Table Parallel to Cutterhead

If the work table is not parallel to the cutterhead, perform the adjustment procedure as follows:

7. With a 13mm wrench, loosen four *hex cap screws* (H) located at each corner of the *column support* (J).
8. Bring the table parallel to the cutterhead by adjusting four *setscrews* (K) located at each corner of the *column support* (J) next to the *hex cap screws* (H).
9. Repeat steps 3 – 6, and if further adjustment is necessary, repeat steps 8, 9.
10. When the table is determined to be parallel to the cutterhead, tighten the *hex cap screws* (H).

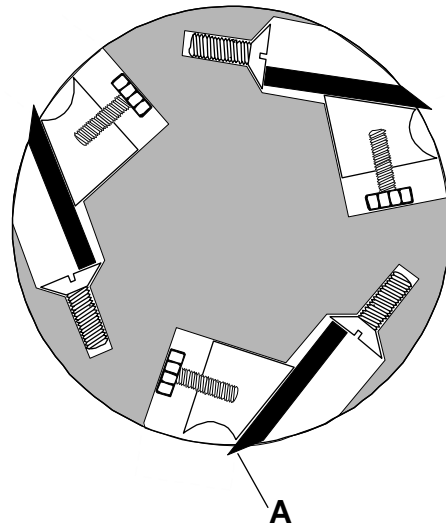


Figure 14

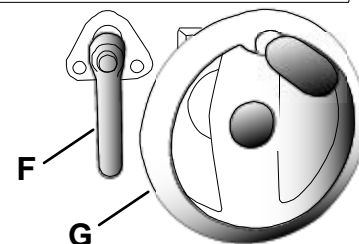
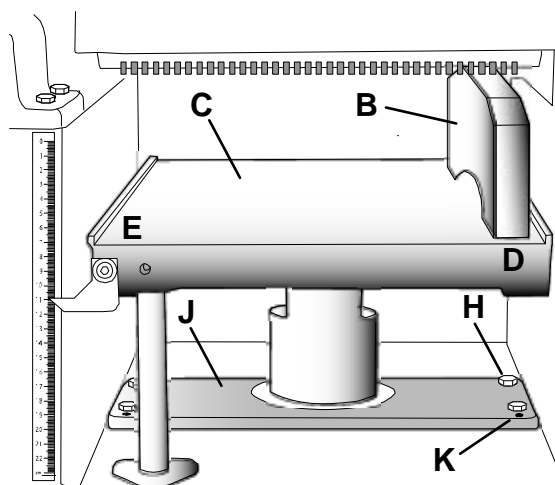


Figure 15

Basic Operations

Dust Collection

Before initial operation, the machine must be connected to a dust collector.

Initial Startup

After the assembly and adjustments are complete the planer is ready to be tested. Turn on the power supply at the main panel. Press the *Start* button. Keep your finger on the *Stop* button in case of a problem. The planer should run smoothly with little or no vibration or rubbing noises. Investigate and correct the source of any problems before further operation.

⚠WARNING DO NOT attempt to investigate or adjust the planer while it is running. Wait until the planer is turned off, unplugged and all working parts have come to a complete standstill.

⚠WARNING Always wear ANSI-approved safety glasses or goggles when operating equipment.

Changing Mode of Operation

When changing the operating mode (planer to jointer and back) the machine must be turned off and at a complete standstill. To change the mode of operation, see sections *Jointer to Planer Setup* and *Planer to Jointer Setup* on page 9.

Jointer Operations

Correct operating position

The operator must be positioned offset to the infeed table (Figure 16).

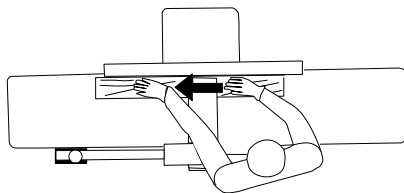


Figure 16

Hand placement

⚠WARNING Never pass hands directly over the cutterhead.

Referring to Figure 16:

At the start of the cut, the left hand holds the workpiece firmly against the infeed table and fence while the right hand pushes the workpiece

in a smooth, even motion toward the cutterhead. After the cut is under way, the new surface rests firmly on the outfeed table. The left hand is transferred to the outfeed side (Figure 16) and presses down on this part of the workpiece, at the same time maintaining flat contact with the fence. The right hand presses the workpiece forward and before the right hand reaches the cutterhead it should be moved to the work on the outfeed table.

Surfacing

The purpose of planing on a jointer is to produce one flat surface (Figure 17). The other side can then be milled to precise, final dimensions on a thickness planer resulting in a board that is smooth and flat on both sides and each side parallel to the other.

- ❑ If the wood to be jointed is cupped or bowed, place the concave side down, and take light cuts until the surface is flat.
- ❑ Never surface pieces shorter than 12 inches or thinner than 3/8 inch without the use of a special work holding fixture.
- ❑ Never surface pieces thinner than 3 inches without the use of a push block.
- ❑ Cuts of approximately 1/16" at a time are recommended, which provides for better control over the material being surfaced. More passes can then be made to reach the desired depth.

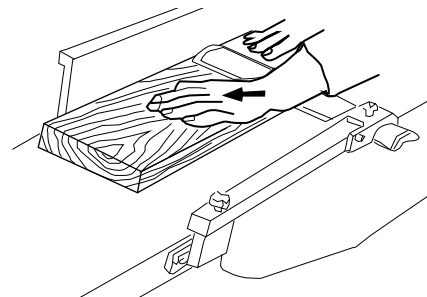


Figure 17

Direction of Grain

Avoid feeding work into the jointer against the grain (Figure 18).

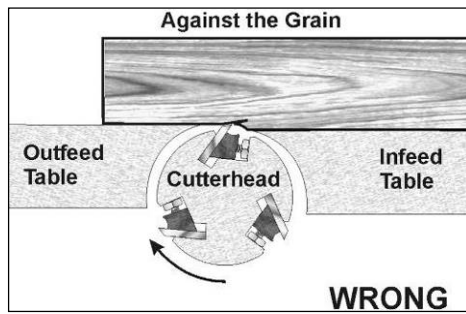


Figure 18

This may result in chipped and splintered edges. Feed *with* the grain to obtain a smooth surface, as shown in Figure 19.

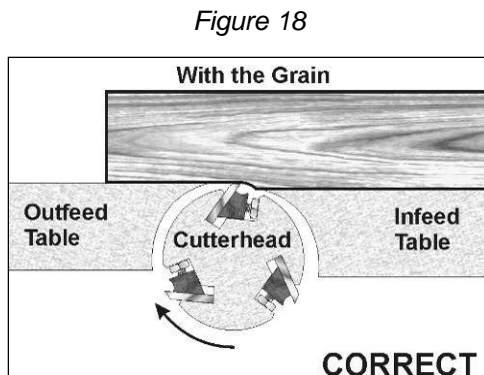


Figure 19

Jointing

Jointing (or edging) is the process of creating a finished, flat *edge surface* that is suitable for joinery or finishing (Figure 20). It is also a necessary step prior to ripping stock to width on a table saw.

- ❑ Never edge a board that is less than 3 inches wide, less than 1/4 inch thick, or 12 inches long, without using a push block.
- ❑ When edging wood wider than 3 inches lap the fingers over the top of the wood, extending them back over the fence such that they will act as a stop for the hands in the event of a kickback.
- ❑ Position the fence (move forward) to expose only the amount of cutterhead required.

CAUTION When workpiece is twice the length of the jointer infeed or outfeed table use an infeed or outfeed support.

To edge:

1. Make sure the fence is set to 90°. Double check it with a square.
2. Inspect stock for soundness and grain direction (refer to *Direction of Grain* on previous page).

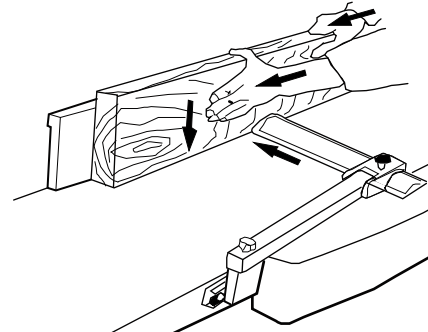


Figure 20 – Surfacing

3. If the board is bowed (curved), place the *concave edge down* on the infeed table.
4. Set the infeed table for a cut of approximately 1/16 inch.
5. Hold the stock firmly against the fence and table, feed the stock slowly and evenly over the cutterhead.

Beveling

Beveling an edge is the same operation as edge jointing, except that the fence is tilted to a specified angle.

- ❑ Make certain material being beveled is over 12 inches long, more than 1/4 inch thick and 1 inch wide.

To bevel:

1. Use a bevel gauge to determine the desired angle. Then set the fence to the same angle.
2. Inspect stock for soundness and grain direction (refer to *Direction of Grain* on previous page).
3. Set the infeed table for a cut of approximately 1/16.
4. If the board is bowed (curved), place the concave edge down on the infeed table.
5. Feed the stock through the cutterhead, making sure the face of the stock is completely flat against the fence and the edge is making solid contact on the infeed and outfeed tables (Figure 21).

For wood wider than 3 inches – hold with fingers close together near the top of the stock, lapping over the board and extending over the fence.

For wood less than 3 inches wide – use beveled push blocks and apply pressure toward the fence. Keep fingers near top of push block.

Several passes may be required to achieve the full bevel.

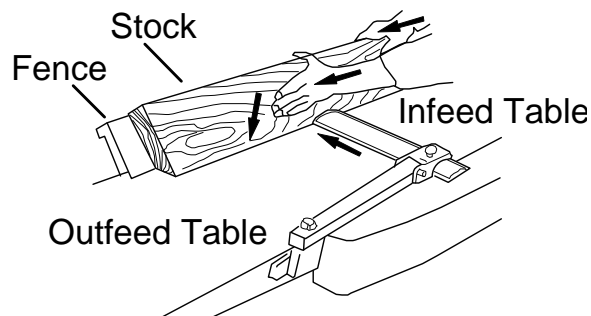


Figure 21 – Beveling

Planer Operations

Depth of Cut

Thickness planing refers to the sizing of lumber to a desired thickness while creating a level surface parallel to the opposite side of the board. Board thickness that the planer will produce is indicated by the *scale* and the *depth-of-cut* gauge (see *Table Height Adjustment* on page 10). Preset the planer to the desired thickness of the finished workpiece using the gauge. The depth-of-cut is adjusted by raising or lowering the *planer table* (C, Fig. 5) using the *handwheel* (F, Fig. 5).

- ❑ The quality of thickness planing depends on the operator's judgment about the depth of cut.
- ❑ The depth of cut depends on the width, hardness, dampness, grain direction and grain structure of the wood.
- ❑ The maximum thickness of wood that can be removed in one pass is 1/8" for planing operations on workpieces up to 5-1/2" wide. The workpiece must be positioned away from the center tab on the roller case to cut 1/8".
- ❑ The maximum thickness of wood that can be removed in one pass is 1/16" for planing operations on workpieces from 5-1/2" up to 12" wide.
- ❑ For optimum planing performance, the depth of cut should be less than 1/16".
- ❑ The board should be planed with shallow cuts until the work has a level side. Once a level surface has been created, flip the lumber and create parallel sides.

- ❑ Plane alternate sides until the desired thickness is obtained. When half of the total cut has been taken from each side, the board will have a uniform, moisture content and additional drying will not cause it to warp.
- ❑ The depth of cut should be shallower when the workpiece is wider.
- ❑ When planing hardwood, take light cuts or plane the wood in thin widths.
- ❑ Make a test cut with a test piece and verify the thickness produced.
- ❑ Check the accuracy of the test cut before working on the finished product.

Precautions

- ❑ A thickness planer is a precision woodworking machine and should be used on quality lumber only.
- ❑ Do not plane dirty boards; dirt and small stones are abrasive and will wear out the blade.
- ❑ Remove nails and staples. Use the planer to cut wood only.
- ❑ Avoid knots. Heavily cross-grained wood makes knots hard. Knots can come loose and jam the blade. Any article that encounters planer blades may be forcibly ejected from the planer creating a risk of injury.

Preparing the Work

- ❑ A thickness planer works best when the lumber has at least one flat surface. Use a jointer to create a flat surface.
- ❑ Twisted or severely warped boards can jam the planer. Rip the lumber in half to reduce the magnitude of the warp.
- ❑ The work should be fed into the planer in the same direction as the grain of the wood. Sometimes the wood will change directions in the middle of the board. In such cases, if possible, cut the board in the middle so the grain direction is correct.

CAUTION Do not plane a board that is less than 6" long. It is recommended that when planing short boards you butt them end to end to avoid kickback and reduce snipe.

Feeding the Work

The planer is supplied with planer blades mounted in the cutterhead and infeed and outfeed rollers adjusted to the correct height. The planer feed is automatic; it will vary slightly depending on the type of wood.

Preparation:

- ❑ Feed rate refers to the rate at which the lumber travels through the planer.
- ❑ The operator is responsible for aligning the work so it will feed properly.
- ❑ Raise or lower the roller case to get the depth of cut desired.
- ❑ The surface that the planer produces will be smoother if a shallower depth of cut is used.
- ❑ Stand on the side that the handle is attached.
- ❑ Boards longer than 24" should have additional support from free standing material stands. These can be purchased from JET – Stock # 709207. See Optional Accessories on page 22.

Planing

1. Position the workpiece with the face to be planed on top.
2. Turn the planer on.
3. Turn the power feed on.
4. Rest the board end on the infeed roller plate and direct the board into the planer.
5. Slide the workpiece into the infeed side of the planer until the infeed roller begins to advance the workpiece.
6. Let go of the workpiece and allow the automatic feed to advance the workpiece.
7. Do not push or pull on the workpiece. Move to the rear and receive the planed lumber by grasping it in the same manner that it was fed.

⚠ CAUTION To avoid the risk of injury due to kickbacks, do not stand directly in line with the front or rear of the planer.

8. Do not grasp any portion of the board that has not gone past the outfeed roller.
9. Repeat this operation on all of the boards that need to be the same thickness.

Avoiding Snipe

Snipe refers to a depression at either end of the board caused by an uneven force on the cutterhead when the work is entering or leaving the planer.

Snipe will occur when the boards are not supported properly or when only one feed roller is in contact with the work at the beginning or end of the cut.

Precautions for avoiding snipe:

- ❑ Push the board up while feeding the work until the outfeed roller starts advancing it.
- ❑ Move to the rear and receive the planed board by pushing it up when the infeed roller loses contact with the board.
- ❑ When planing more than one board of the same thickness, butt the boards together to avoid snipe.
- ❑ Make shallow cuts. Snipe is more apparent when deeper cuts are taken.
- ❑ Feed the work in the direction of the grain. Work fed against the grain will have chipped, splintered edges.

Maintenance

Blade Care

⚠WARNING Blades are extremely sharp! Use caution when cleaning or changing. Failure to comply may cause serious injury!

- ❑ The condition of the blades will affect the precision of the cut. Observe the quality of the cut that the planer produces to check the condition of the blades.
- ❑ Dull blades will tear, rather than cut the wood fibers and produce a fuzzy appearance.
- ❑ Raised grain will occur when dull blades pound on wood that has varying density. A raised edge will also be produced where the blades have been nicked.

When gum and pitch collect on the blades, carefully remove with a strong solvent. Failure to remove gum and pitch build up may result in excessive friction, blade wear and overheating.

When blades become dull, touch up blades. See *Sharpening the Knives*.

Sharpening the Knives (Straight Knives Only)

⚠WARNING Blades are extremely sharp! Use caution when handling. Failure to comply may cause serious injury!

1. Disconnect the machine from the power source.
2. Remove the blade guard and belt cover.
3. To protect the infeed table from scratches, partially cover the sharpening stone with paper (Figure 22).
4. Lay the stone on the infeed table.
5. Lower the infeed table and turn the cutterhead by turning the cutterhead pulley. The infeed table height is set properly when the stone's surface is flush with the knife bevel.

6. Keep the cutterhead from rotating by grasping the cutterhead pulley while sliding the stone back and forth across the table.
7. Take the same amount of passes for all three blades.

If the blades have been sharpened and still are not cutting efficiently, trying to touch up the blades further will only cause the formation of a second beveled edge. When this starts to happen, it is time to replace blades with another set. It is recommended to keep a second set of blades on hand so that they may be installed while the first set is being professionally sharpened.

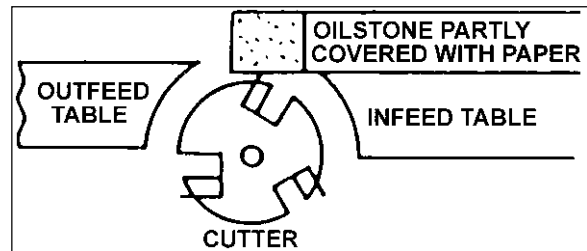


Figure 22

⚠CAUTION Do NOT attempt to sharpen helical knife inserts! Only rotate the knife once it is dull. If all sides have been rotated properly, dispose of the knife and replace it with a replacement insert. Refer to *Replacing or Rotating Knife Inserts*.

Lubrication

- ❑ Use a good grade of light grease on the steel adjusting screws located in the raising and lowering mechanisms of the work tables.

The cutterhead ball bearings are lifetime lubricated and need no further care.

Troubleshooting

Performance Troubleshooting – Jointer

Trouble	Probable Cause	Remedy
Finished stock is concave on back end.	Knife is higher than outfeed table.	Align cutterhead knives with outfeed table. See <i>Setting Cutterhead Knives</i> .
Finished stock is concave on front end.	Outfeed table is higher than knife.	Align cutterhead knives with outfeed table. See <i>Setting Cutterhead Knives</i> .
Chip out.	Cutting against the grain.	Cut with the grain whenever possible.
	Dull knives.	Sharpen or replace knives/Rotate knife inserts or replace inserts.
	Feeding workpiece too fast.	Use slower rate of feed.
	Cutting too deeply.	Make shallower cuts.
	Knots, imperfections in wood.	Inspect wood closely for imperfections; use different stock if necessary.
Fuzzy grain.	Wood has high moisture content.	Allow wood to dry or use different stock.
	Dull knives.	Sharpen or replace knives/inserts.
Cutterhead slows while operating.	Feeding workpiece too quickly, or applying too much pressure to workpiece.	Feed more slowly, or apply less pressure to workpiece.
“Chatter” marks on workpiece.	Knives incorrectly set.	Set knives properly as described in the <i>Setting Cutterhead Knives</i> section. Check that knife slots are clean and free of dust or debris.
	Feeding workpiece too fast.	Feed workpiece slowly and consistently.
Uneven knife marks on workpiece.	Knives are nicked, or out of alignment.	Align knives per the <i>Setting Cutterhead Knives</i> section. Replace nicked knives/Rotate knife inserts.

Performance Troubleshooting – Planer

Trouble	Probable Cause	Remedy
Snipe <i>Note: Snipe cannot be eliminated, but can be so minimized as to become negligible.</i>	Table rollers not set properly.	Adjust rollers to proper height
	Inadequate support of long boards.	Support long boards with extension rollers.
	Uneven feed roller pressure front to back.	Adjust feed roller tension
	Dull knives.	Sharpen knives/Rotate knife inserts.
	Lumber not butted properly.	Butt end to end each piece of stock as they pass through.
Fuzzy Grain	Planing wood with high moisture content.	Remove high moisture content from wood by drying.
	Dull knives.	Sharpen or replace/Rotate knife inserts.
Torn Grain	Too heavy a cut.	Adjust proper depth of cut
	Knives cutting against grain.	Cut along the grain.
	Dull knives.	Sharpen knives/Rotate knife inserts.
Rough/Raised Grain	Dull knives.	Sharpen knives/Rotate knife inserts.
	Too heavy a cut.	Adjust proper depth.
	Moisture content too high.	Remove high moisture content from wood by drying.
Rounded, glossy surface	Dull knives.	Sharpen or replace knives/Rotate knife inserts or replace.
	Feed speed too slow.	Increase speed.
	Cutting depth too shallow.	Increase depth.
Poor feeding of lumber.	Inadequate feed roller pressure.	Adjust feed roller tension. If proper tension cannot be achieved, replace feed rollers
	Planer bed rough or dirty.	Clean pitch and residue, and wax planer table.
	Transmission v-belt slipping.	Tighten transmission v-belt.
	Surface of feed rollers clogged.	Clear pitch and residue out of teeth.
Uneven depth of cut side to side.	Knife projection.	Adjust knife projection.
	Cutterhead not level with bed.	Level bed.
Board thickness does not match depth of cut scale.	Depth of cut scale incorrect.	Adjust depth of cut scale.

Mechanical Troubleshooting – Planer/Joiner

Trouble	Probable Cause	Remedy
Chain jumping.	Inadequate tension.	Adjust chain tension.
	Sprockets misaligned.	Align sprockets
	Sprockets worn.	Replace sprockets.
Machine will not start/ restart or repeatedly trips circuit breaker or blows fuses.	No incoming power.	Verify unit is connected to power, on-button is pushed in completely, and stop-button is disengaged.
	Overload automatic reset has not reset	When planer overloads on the circuit breaker built into the motor starter, it takes time for the machine to cool down before restart. Allow unit to adequately cool before attempting restart.
	Planer frequently trips.	One cause of overloading trips, which are not electrical in nature, is too heavy a cut. The solution is to take a lighter cut. If too deep a cut is not the problem, then check the amp setting on the overload relay. Match the full load amps on the motor as noted on the motor plate. If the amp setting is correct then there is probably a loose electrical lead. Check amp setting on motor starter.
	Building circuit breaker trips or fuse blows.	Verify that planer is on a circuit of correct size. If circuit size is correct, there is probably a loose electrical lead. Check amp setting on motor starter.
	Loose electrical connections.	Go through all the electrical on the planer including motor connections, verifying the tightness of each. Look for any signs of electrical arcing which is a sure indicator of loose connections or circuit overload.
	Motor starter failure.	Examine motor starter for burned or failed components. If damage is found, replace motor starter. If motor starter looks okay but is still suspect, you have two options: have a qualified electrician test the motor starter for function, or purchase a new starter and establish if that was the problem on changeout
	Switch or Motor failure – how to distinguish.	If you have access to a voltmeter, you can separate a starter failure from a motor failure by first, verifying incoming voltage at 220+/-20 and second, checking the voltage between starter and motor at 220+/-20. If incoming voltage is incorrect, you have a power supply problem. If voltage between starter and motor is incorrect, you have a starter problem. If voltage between starter and motor is correct, you have a motor problem.
	Motor failure.	If electric motor is suspect, you have two options: Have a qualified electrician test the motor for function or remove the motor and take it to a quality electric motor repair shop and have it tested.
	Miswiring of the unit.	Double check to confirm all electrical connections are correct and properly tight. The electrical connections other than the motor are pre-assembled and tested at the factory. Therefore, the motor connections should be double checked as the highest probability for error. If problems persist, double-check the factory wiring.

Parts List

Index No.	Part No.	Description	Size	Qty
1	TS-1541031	Lock Nut	M8	4
2	JJP12-002	Washer		4
3	JJP12-003	Outfeed Table Bracket Shaft		1
4	JJP12-004	Outfeed Table Bracket, Right		1
5	TS-1504121	Socket Head Cap Screw	M8x60	4
6	JJP12-006	Eccentric Shaft		4
7	JJP12-007	Table		2
8	JJP12-008	Cutterhead Guard Assembly - Complete		1
9	JJP12-009	Bracket		1
10	TS-1503071	Socket Head Cap Screw	M6x30	2
11	JJP12-011	Washer	H12	4
12	TS-2342121	Lock Nut	M12	4
13	TS-1503051	Socket Head Cap Screw	M6x20	4
14	JJP12-014	Adjusting Handle		2
15	JJP12-015	Knob		2
16	JJP12-016	Bracket Screw		2
17	JJP12-017	Bracket Screw		2
18	JJP12-018	Eccentric Shaft Bracket		2
19	JJP12-019	Eccentric Shaft Clamp		2
20	JJP12-020	Table Locking Shaft		2
21	TS-1540081	Hex Nut	M12	2
22	JJP12-022	Outfeed Table Bracket, Left		1
23	TS-1524021	Socket Set Screw	M8x10	8
24	JJP12-024	Plastic Disc	D6	8
25	TS-1490051	Hex Cap Screw	M8x30	6
26	TS-1550061	Flat Washer	M8	6
27	JJP12-027	Table Support		2
28	JJP12-028	Spring		2
29	TS-1490021	Hex Cap Screw	M8x16	2
30	TS-1540061	Hex Nut	M8	3
31	JJP12-031	Big Cam Wheel		1
32	TS-1522031	Socket Set Screw	M5x10	1
33	JJP12-033	Cutterhead Guard with Cap		1
34	TS-1524031	Socket Set Screw	M8x12	8
61	JJP12-061	Small Cam Wheel		1
62	JJP12-062	Washer	H16	1
63	JJP12-063	Dust Collector Assembly		1
64	JJP12-064	Roll Pin	M5x18	1
65	JJP12-065	Shaft		1
66	JJP12-062	Washer	H16	1
67	BB-6205ZZ	Bearing	6205ZZ	2
68	708821	Knife (Set of 3) *		1
69	JJP12-069	Knife Locking Bar *		3
70	JJP12-070	Knife Locking Bar Screw *		15
71	JJP12-071	Cutterhead (Straight Knife) *		1
71A	JJP12HH-071A	Cutterhead, Helical with Inserts **		1
71B	1791212	Knife Insert (set of 10) **		56
71C	JWP208HH-111	Knife Insert Screw **	#10-32 x 1/2	56
71D	JJ6HH-113	Start Point Screwdriver (not shown) **		2
72	TS-2246122	Button Head Socket Screw	M6x12	4
73	JJP12-073	Belt Cover		1
74	JJP12-074	Screw		4
75	JJP12-075	Spring		4
76	TS-1490021	Hex Cap Screw	M8x16	4
77	TS-1540061	Hex Nut	M8	4

Index No.	Part No.	Description	Size	Qty
78	TS-1491031	Hex Cap Screw	M10x25	4
79	TS-1550071	Flat Washer	M10	4
80	JJP12-080	Adjusting Washer		48
81	JJP12-081	Anti-Kickback Finger		38
82	JJP12-082	Infeed Roller		1
83	JJP12-083	Anti-Kickback Shaft		1
84	JJP12-084	Cutterhead Cover		1
85	JJP12-085	Cutterhead Bracket, Right		1
86	TS-1550041	Flat Washer	M6	4
87	TS-1503031	Socket Head Cap screw	M6x12	4
88	JJP12-088	Cutterhead Bracket Cover		1
89	TS-2246122	Button Head Socket Screw	M6x12	2
90	TS-2331061	Cap Nut	M6	1
91	JJP12-091	Spring		1
92	JJP12-092	Stop Pin		1
93	JJP12-093	Support Rod		1
94	JJP12-094	Outfeed Roller		1
95	JJP12-095	Bushing		4
96	JJP12-096	Cutterhead Bracket, Left		1
97	JJP12-097	Wave Washer	D52	2
98	JJP12-098	Retaining Ring	CLP52	2
99	JJP12-099	Washer		2
100	JJP12-100	Drive Chain Sprocket		2
101	JJP12-101	Washer	WSH10	2
102	TS-1541041	Lock Nut	M10	2
103	JJP12-103	Socket Set Screw	M8x6	2
104	JJP12-104	Key	PLN6x16	1
105	JJP12-105	Spindle Pulley		1
106	JJP12-106	Washer	D52	2
131	JJP12-131	Carriage Bolt	N12x65	1
132	JJP12-132	Square Washer		1
133	JJP12-133	Bushing		1
135	JJP12-135	Bearing	BRG80101	1
136	JJP12-136	Chain Wheel		1
137	TS-2342121	Lock Nut	M12	1
138	JJP12-138	Pan Head Screw	M4x35	2
139	TS-1541021	Lock Nut	M6	2
140	TS-1550041	Flat Washer	M6	2
141	JJP12-141	Safety Switch		1
142	JJP12-142	Safety Switch Bracket		1
143	TS-1541001	Lock Nut	M4	2
144	TS-1550041	Washer	M6	4
145	TS-1540041	Hex Nut	M6	2
146	JJP12-146	Safety Switch Rocker		1
147	JJP12-147	Safety Switch Rocker Shaft		1
148	TS-1503061	Socket Head Cap Screw	M6x25	2
151	JJP12-151	Bolt		4
152	TS-1540061	Hex Nut	M8	4
153	JJP12-153	Outfeed Table Lock Handle		1
154	JJP12-154	Retaining Ring	CLP20	4
155	JJP12-155	Spring		2
156	JJP12-156	Direction Label (not shown)		1
157	JJP12-157	Switch	230/60/1	1
158	JJP12-158	Pan Head Screw		2
159	TS-1514021	Flat Head Socket Screw	M6x16	2
160	TS-2246122	Button Head Socket Screw	M6x12	2
161	JJP12-161	Washer	H6	7

Index No.	Part No.	Description	Size	Qty
162	JJP12-162	Front Cover		1
163	JJP12-163	Handle		1
164	JJP12-164	Lock Knob		4
165	JJP12-165	Cabinet		1
166	JJP12-166	Infeed Table Lock Handle		1
167	JJP12-167	Infeed Scale, Inch		1
168	JJP12-168	Thickness Scale, Inch		1
169	JJP12-169	Washer	H8	2
170	JJP12-170	Retaining Ring		1
171	JJP12-011	Washer	H12	1
172	TS-1504041	Socket Head Cap Screw	M8x20	2
182	JJP12-182	Infeed Table Bracket Shaft		1
184	JJP12-184	Infeed Table Bracket, Right		1
190	JJP12-190	Infeed Table Bracket, Left		1
203	TS-1504031	Socket Head Cap Screw	M8x16	1
209	TS-1504081	Socket Head Cap Screw	M8x40	1
210	JJP12-210	Table Stopper		1
211	TS-1540061	Hex Nut	M8	3
221	JJP12-221	V-Belt for Cutterhead, 60Hz		1
222	JJP12-222	Drive Chain		1
223	JJP12-223	Cam Wheel Bracket *		1
223A	JJP12HH-223A	Cam Wheel Bracket, HH **		1
224	JJP12-224	Cam Wheel Shaft		1
225	JJP12-225	Cam Wheel with Sprocket/Key *		1
225A	JJP12HH-225A	Cam Wheel with Sprocket/Key, HH **		1
226	JJP12-226	Bushing		1
229	JJP12-229	Washer		1
230	JJP12-230	Retaining Ring	CLP15	1
231	JJP12-231	Retaining Ring	CLP10	2
232	TS-1522031	Socket Set Screw	M5x10	2
233	JJP12-233	Flat Belt Feed Roller Pulley *		1
233A	JJP12HH-233A	Flat Belt Feed Roller Pulley, HH **		1
234	JJP12-234	Cam Wheel		1
235	JJP12-235	Bearing	BRG80100	2
236	JJP12-236	Bearing Spacer		1
238	TS-1524031	Socket Set Screw	M8x12	2
239	JJP12-239	Motor Pulley, 60Hz		1
240	JJP12-240	Flat Belt for Feed Roller *		1
240A	JJP12HH-240A	Flat Belt for Feed Roller, HH **		1
241	TS-1490041	Hex Cap Screw	M8x25	4
242	TS-1550061	Flat Washer	M8	4
243	JJP12-243	Motor	3HP, 230V, 60Hz, 1Ph	1
244	JJP12-244	Washer	H8	4
245	TS-2361081	Lock Washer	M8	4
246	TS-2331081	Cap Nut	M8	4
247	JJP12-247	Capacitor 230/60/1 (not shown)		1
248	JJP12-248	Shaft		1
249	TS-2361101	Lock Washer	M10	1
250	TS-1540071	Hex Nut	M10	1
251	JJP12-251	Small Motor Pulley		1
252	JJP12-252	Plate *		1
252A	JJP12HH-252A	Plate, HH **		1
253	TS-2206601	Hex Cap Screw	M6x60	1
254	TS-1482051	Hex Cap Screw	M6x25	2
255	TS-1540041	Hex Nut	M6	6
256	TS-1550041	Flat Washer	M6	2
288	JJP12-288	Indicator		1

Index No.	Part No.	Description	Size	Qty
289	TS-2246122	Button Head Socket Screw	M6x12	1
290	TS-1524031	Socket Set Screw	M8x12	1
291	JJP12-291	Table Guide Bar		1
292	TS-1503051	Socket Head Cap screw	M6x20	2
293	JJP12-293	Guide Bar Bracket		2
294	TS-1550041	Flat Washer	M6	2
295	TS-1540041	Hex Nut	M6	2
297	TS-1524031	Socket Set Screw	M8x12	1
298	JJP12-298	Indicator Seat		1
299	TS-2246202	Button Head Socket Screw	M6x20	1
300	JJP12-300	Screw		2
301	JJP12-301	Cover		1
302	JJP12-302	Washer		2
303	JJP12-303	Nut		2
304	JJP12-304	Locking Bar		1
305	JJP12-305	Locking Shoe		1
306	JJP12-306	Crank Handle		1
307	JJP12-307	Hand Wheel		1
308	TS-1503051	Socket Head Cap Screw	M6x20	1
312	JJP12-154	Retaining Ring	CLP20	1
313	JJP12-313	Retaining Ring		1
314	JJP12-314	Washer		1
315	JJP12-315	Crank Bar		1
316	TS-2246122	Button Head Socket Screw	M6x12	2
317	TS-1540041	Flat Washer	M6	2
318	JJP12-318	Bevel Gear		2
319	JJP12-319	Retaining Ring	CLP35	1
320	JJP12-320	Bearing	BRG80202	1
321	JJP12-321	Bevel Gear Bracket		1
322	TS-1550061	Flat Washer	M8	5
323	TS-1490061	Hex Cap Screw	M8x35	2
324	JJP12-324	Thread Rod		1
325	JJP12-325	Bolt	M6x40	1
326	TS-1540041	Hex Nut	M6	1
327	TS-1490061	Hex Cap Screw	M8x35	2
329	TS-1550061	Flat Washer	M8	2
330	JJP12-330	Thread Rod Bracket		1
331	JJP12-331	Column Support		1
332	TS-1550061	Flat Washer	M8	4
333	TS-1524051	Socket Set Screw	M8x20	4
334	TS-1490061	Hex Cap Screw	M8x35	4
335	JJP12-335	Column		1
336	TS-149105	Hex Cap Screw	M10x35	2
337	TS-2361101	Lock Washer	M10	2
338	JJP12-338	Planer Table		1
339	JJP12-339	Scale Ring Assembly, Inch		1
368	JJP12-368	Hinge Pin		2
369	JJP12-369	Square Nut	M8	2
370	TS-1541021	Lock Nut	M6	2
371	JJP12-371	Fence Mounting Bracket		2
372	TS-1504031	Socket Head Cap Screw	M8x16	2
374	TS-1514021	Flat Head Socket Screw	M6x16	2
376	JJP12-376	Fence Support, Right		1
377	JJP12-377	Nylon Washer		10
378	JJP12-378	Carriage Bolt	M8x25	2
379	TS-2246122	Button Head Socket Screw	M6x12	6
380	TS-1550041	Flat Washer	M6	6

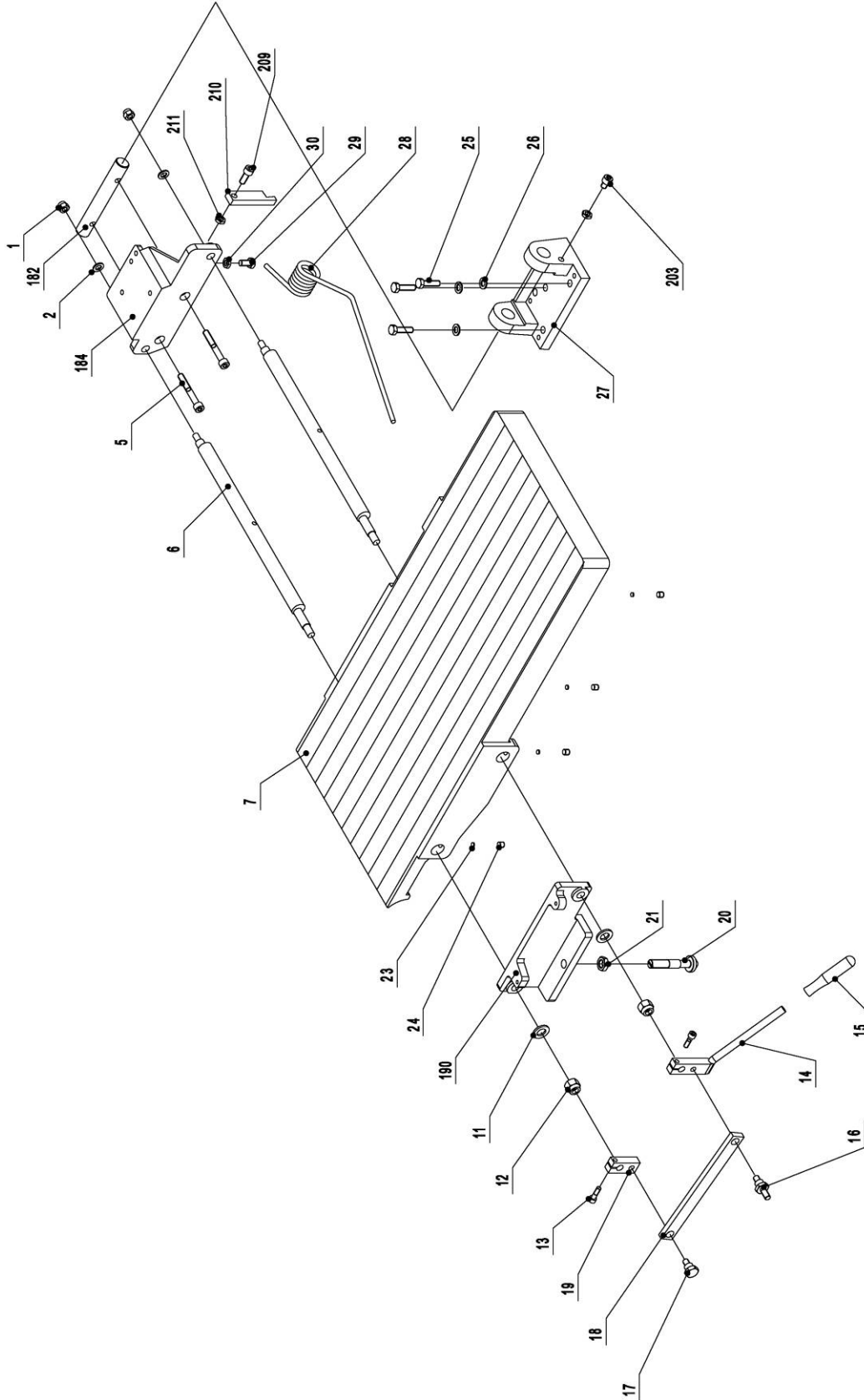
Index No.	Part No.	Description	Size	Qty
381	JJP12-381	Cutterhead Cover		1
382	TS-1541021	Lock Nut	M6	4
383	TS-1503031	Socket Head Cap Screw	M6x12	4
384	JJP12-384	Fence Bracket, Left		1
385	JJP12-385	Locking Handle		3
386	JJP12-386	Special Washer		2
387	JJP12-387	Fence		1
388	JJP12-388	Fence Support, Left		1
389	JJP12-389	Fence Bracket, Right		1
390	JJP12-390	Fence Scale		1
391	JJP12-391	Complete Fence Assembly		1
392	JPT410-392	Locking Tube		2
393	JPT410-393	Set Screw	M8x50	2
394	JPT410-394	Nut	M8	2

* Indicates Straight Cutterhead Model Only

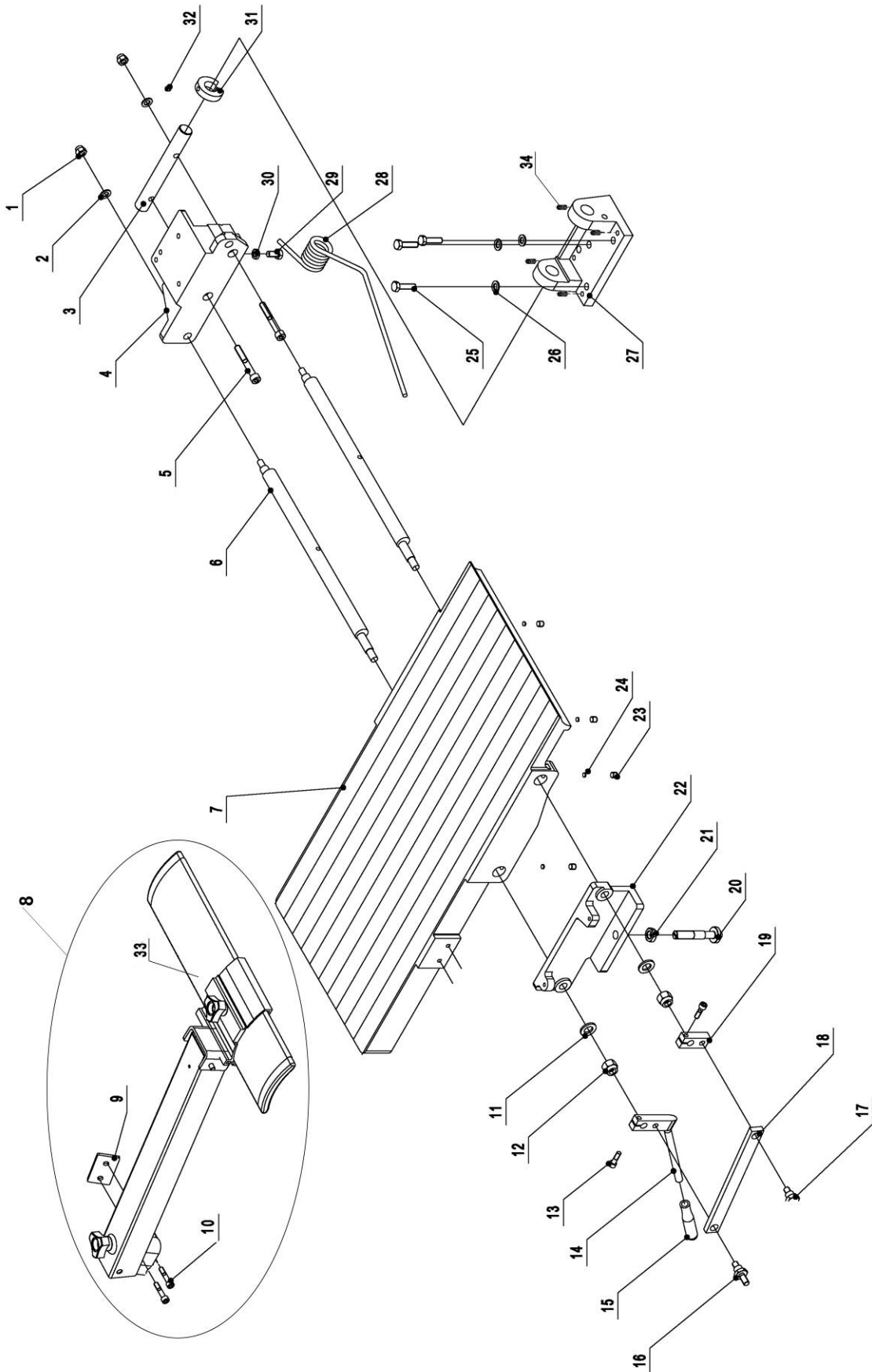
** Indicates Helical Cutterhead Model Only

Assembly Drawings

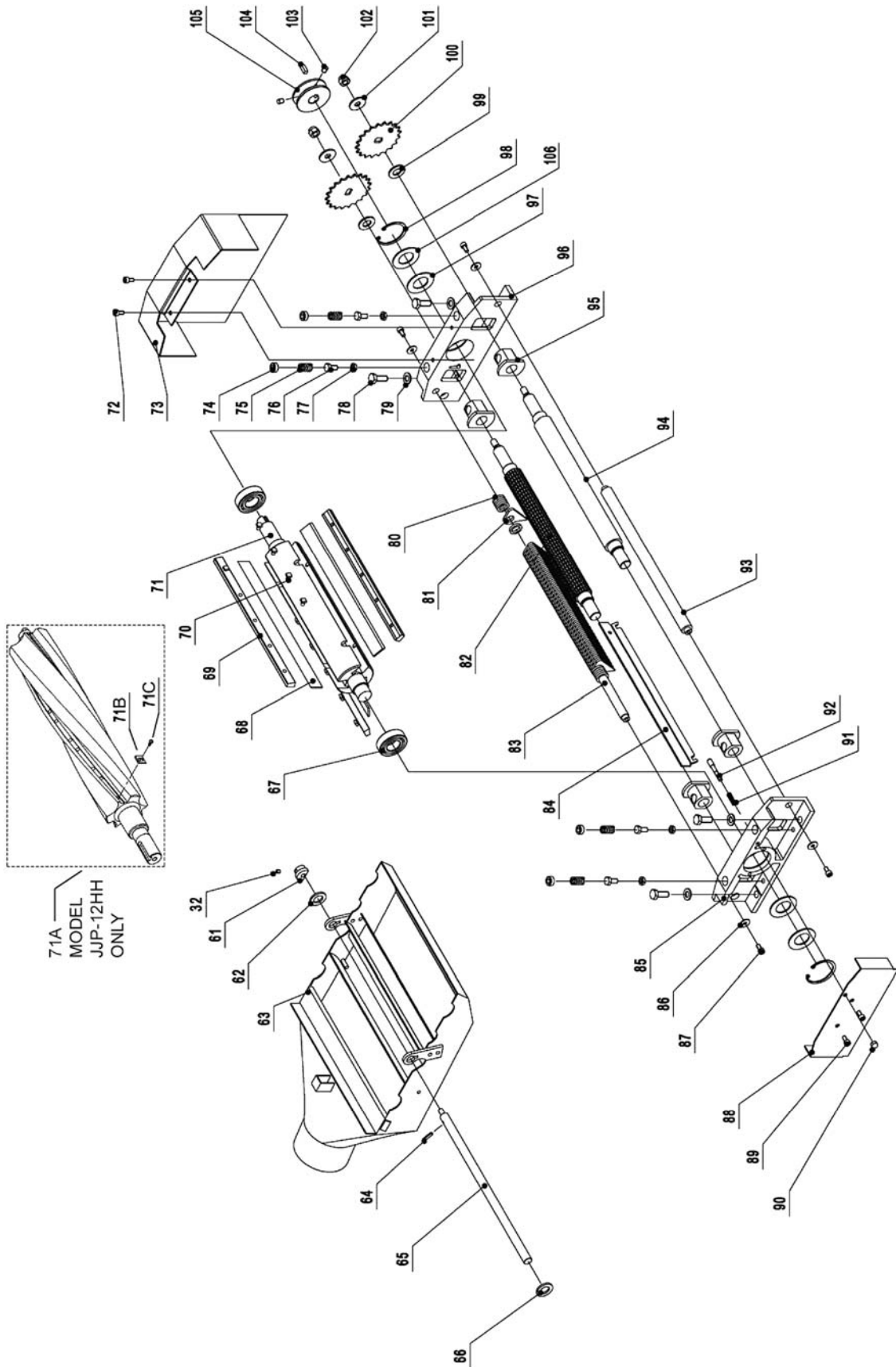
Infeed Table Assembly



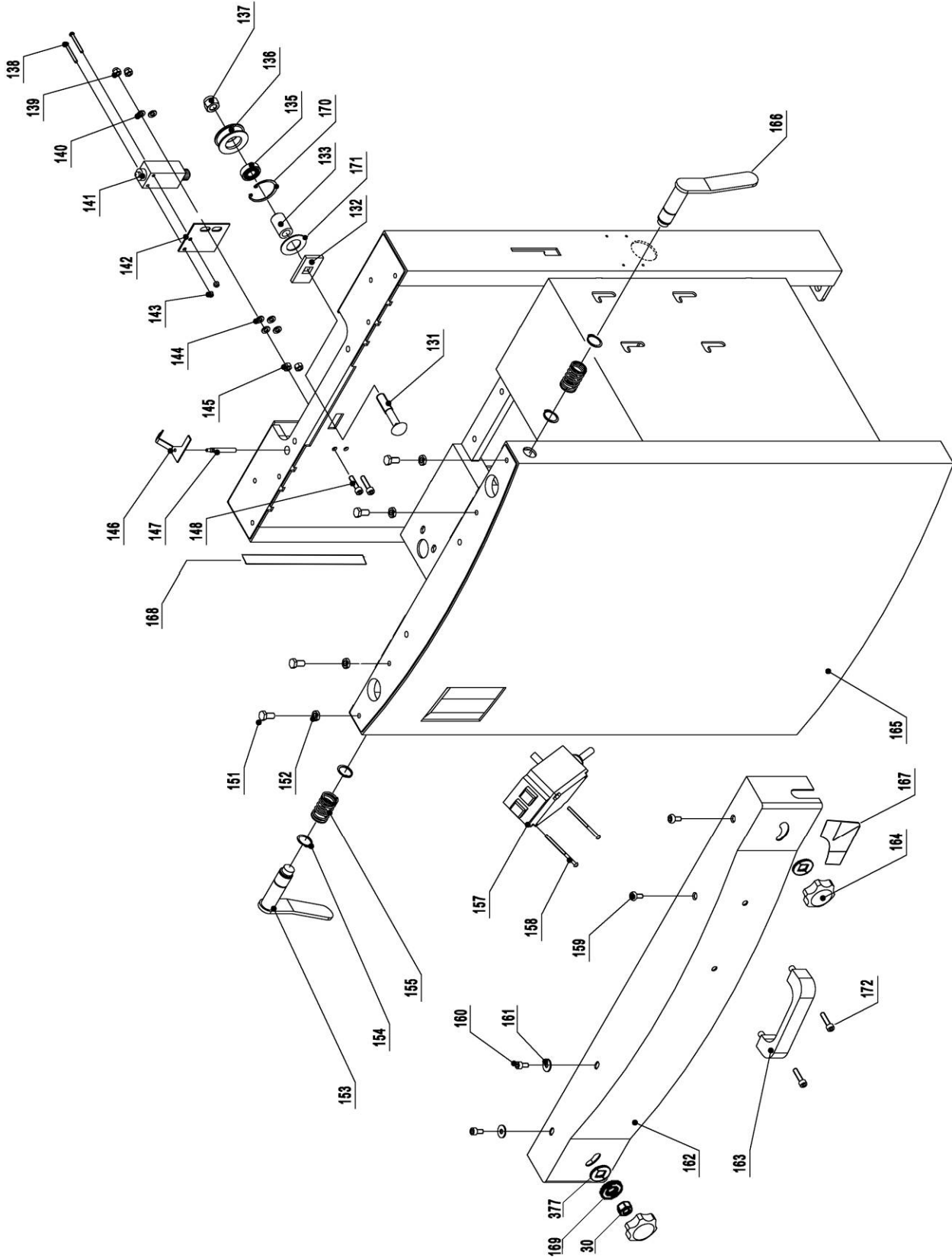
Outfeed Table Assembly



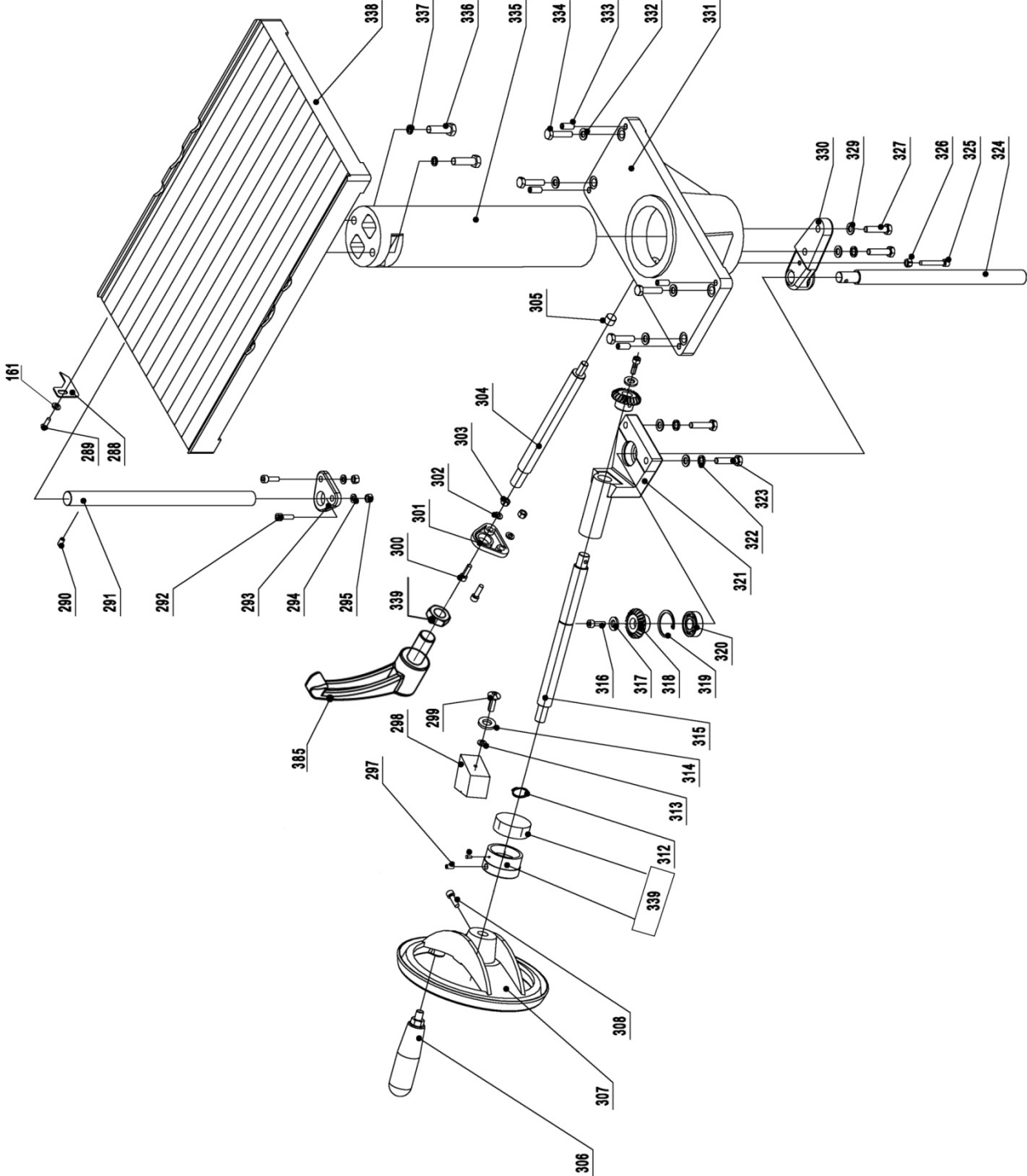
Cutterblock Assembly



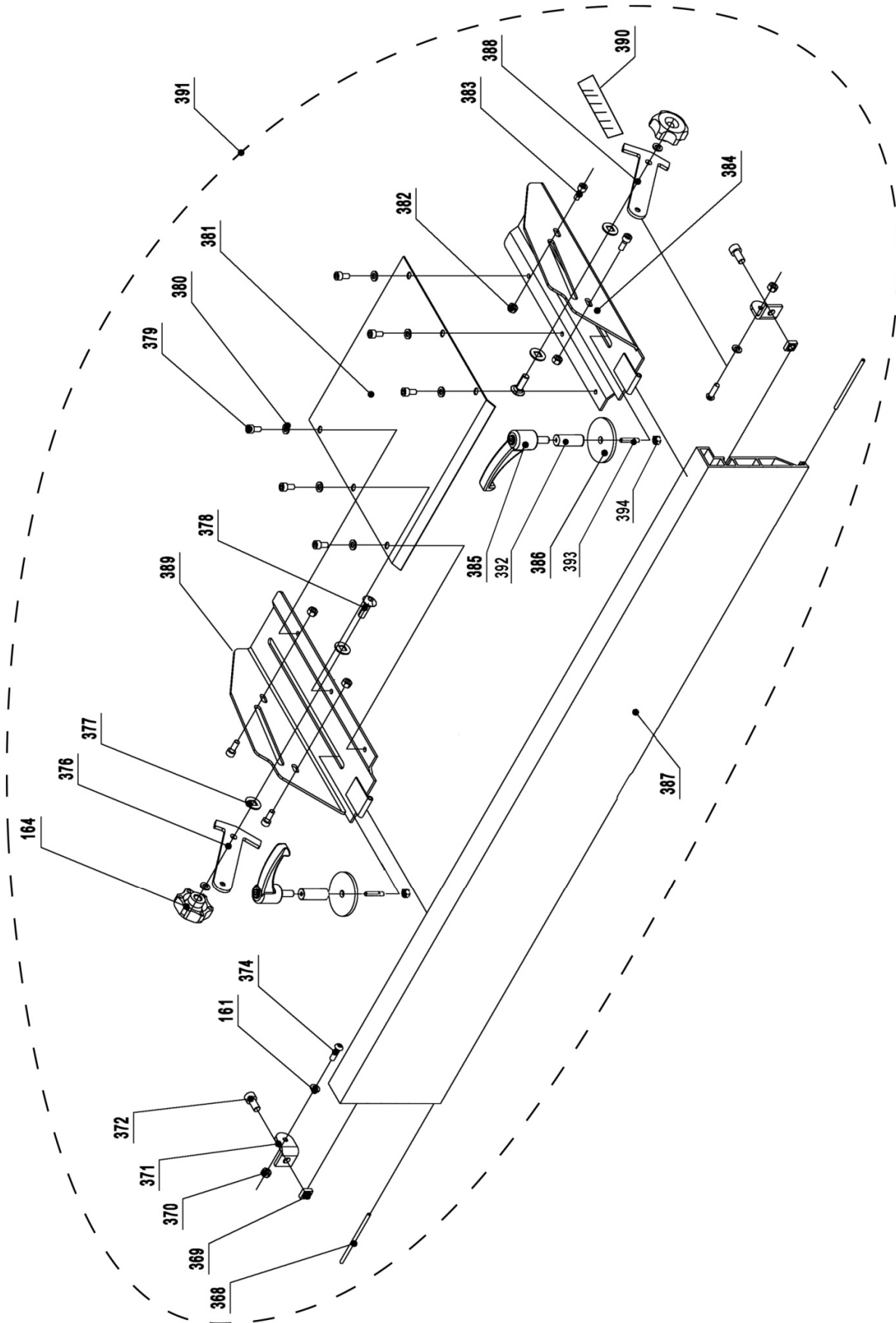
Base Assembly



Planer Table Assembly



Fence Assembly



Electrical Connection

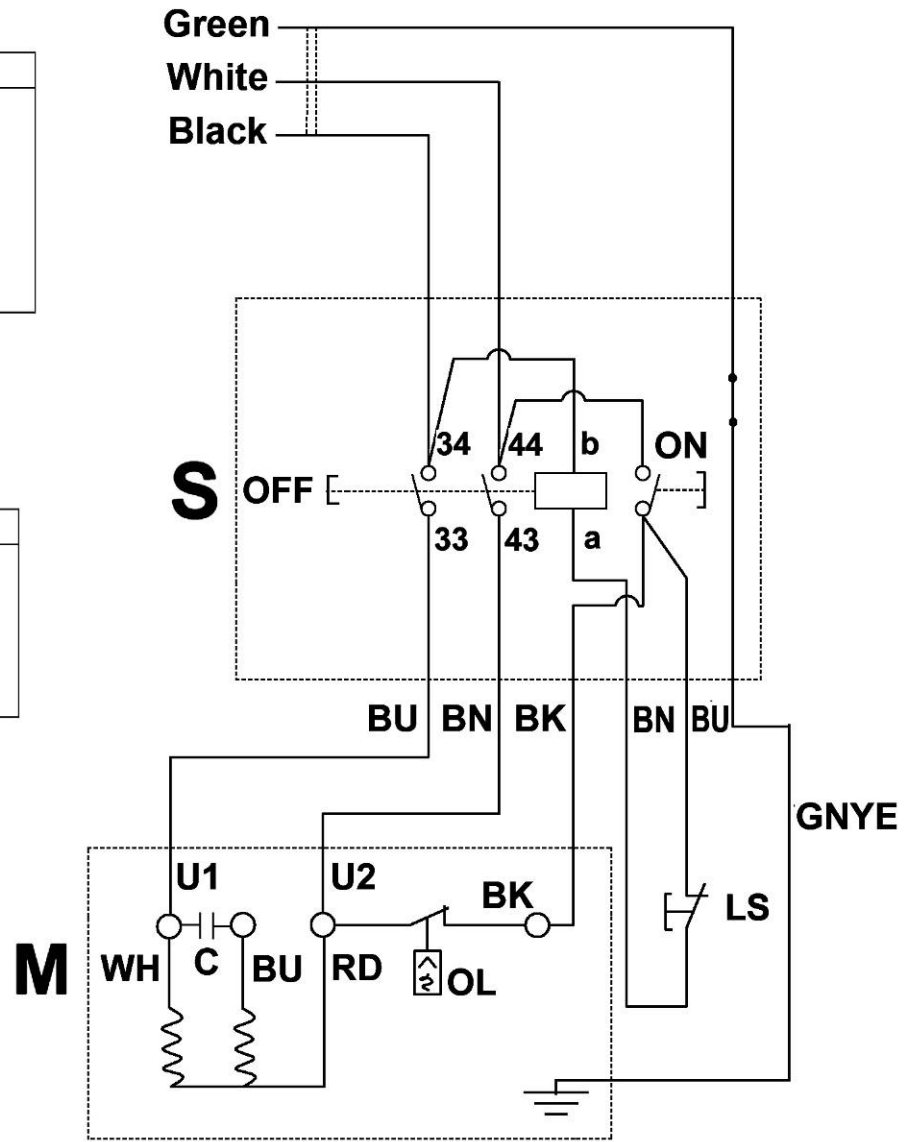
JJP-12

230V/60HZ/1

708475

	colour of strands
BK	black
WH	white
BU	blue
RD	red
BN	brown
GNYE	green-yellow

	meaning of symbol
M	motor
S	switch
C	condenser
OL	overload cut-off
LS	limit switch



Accessories

Stock No	Description
708821	Replacement Knives for JJP-12 Jointer-planer (set of 3)
1791212	Replacement Knife Inserts for JJP-12HH Jointer-Planer (set of 10)
709207	13" Roller Stand

Ordering Replacement Parts

To order parts or reach our service department, call 1-800-274-6848 Monday through Friday (see our website for business hours, www.waltermeier.com). Having the Model Number and Serial Number of your machine available when you call will allow us to serve you quickly and accurately.



WALTER MEIER (Manufacturing) Inc.

427 New Sanford Road
LaVergne, Tennessee 37086
Phone: 800-274-6848
www.waltermeier.com