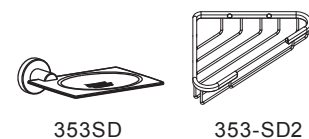
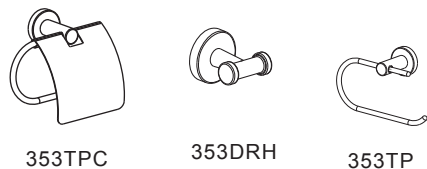
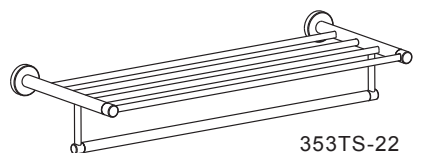
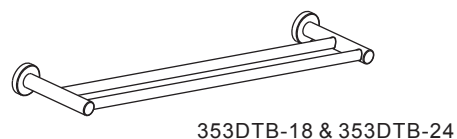
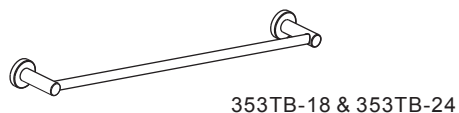




# Accessory Installation Instructions

- 353TB-18 Towel bar
- 353TB-24 Towel bar
- 353DTB-18 Towel bar
- 353DTB-24 Towel bar
- 353TS-22 Towel shelf
- 353TR Towel ring
- 353RH Robe hook
- 353DRH Double robe hook
- 353TH Toothbrush holder
- 353TP Toilet Paper holder
- 353TPC Toilet Paper holder
- 353SD Soap dish
- 353-SD2 Soap basket



### Feature Highlights

- Metal construction
- Standard finish is polished chrome

### Finish Options

- Append appropriate-suffix to model number.
- STN Satin nickel finish

### Warranty

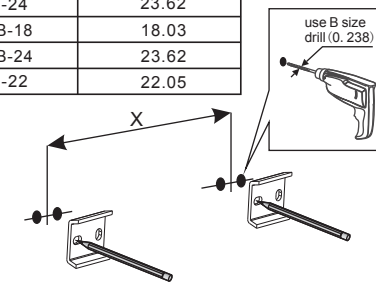
- Limited Lifetime - to the original end purchaser in residential/consumer installations
- 5 years - for commercial installations

### For California Residents

**WARNING:** This product contains chemicals known to the State of California to cause cancer, birth defects, or other reproductive harm.

### MEASUREMENT BEFORE INSTALLATION

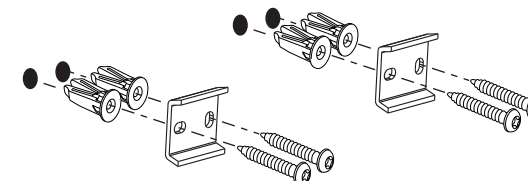
MODEL NO.	LENGTH X=inch
353TB-18	18.03
353TB-24	23.62
353DTB-18	18.03
353DTB-24	23.62
353TS-22	22.05



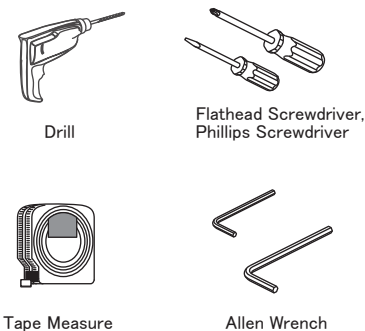
- 1 Measure and mark holes as listed in the above table. Drill screw mounting holes using a B size drill bit (0.238). **-IMPORTANT:** Ensure that the holes you have drilled for installation are level.

### REPLACEMENT PARTS

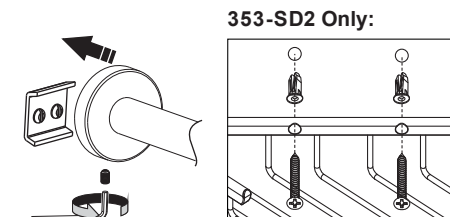
MODEL NO.	DESCRIPTION
RA-017	Mounting Hardware Kit



### RECOMMENDED TOOLS AND MATERIALS



- 2 Affix your mounting hardware to the wall using your mounting screws. For plaster walls 1/2" thick or less, insert toggle tool into toggle anchor to secure behind wall prior to installing accessory trim.

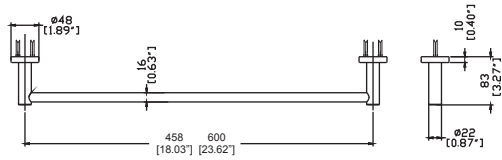


- 3 After securing your mounting hardware to the wall, place the mounting end of your accessory onto the mounting hardware as is shown in the picture above. Affix your accessory to the mounting hardware using the Allen wrench that shipped with the product.

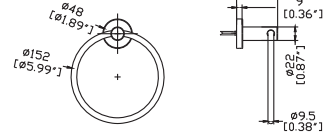
■ All specifications subject to change without prior notice.

# ACCESSORY INSTALLATION INSTRUCTIONS

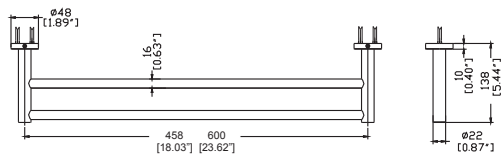
## DIMENSIONS



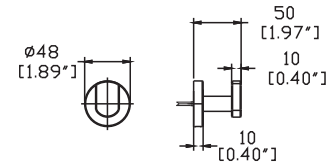
353TB-18 & 353TB-24



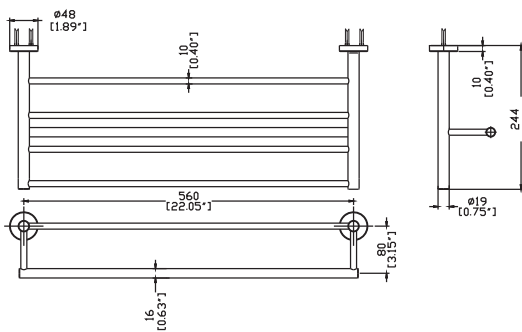
353TR



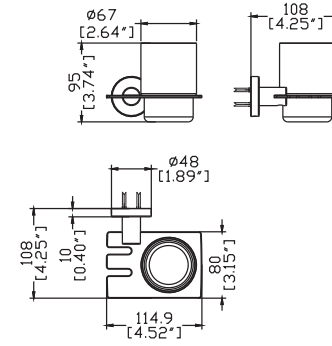
353DTB-18 & 353DTB-24



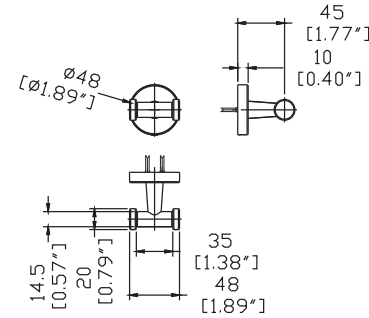
353RH



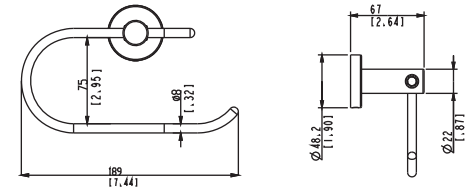
353TS-22



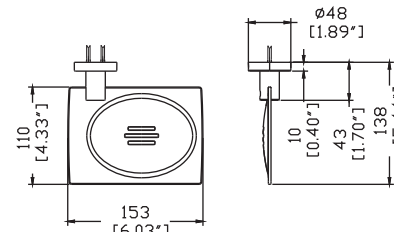
353TH



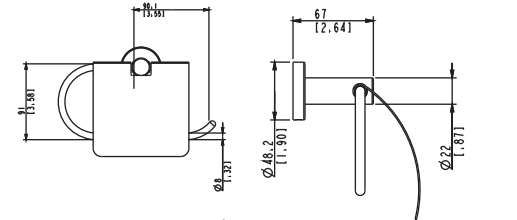
353DRH



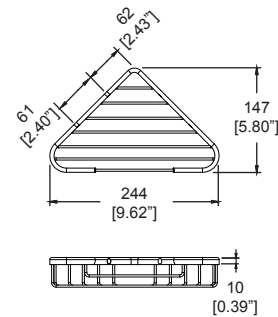
353TP



353SD



353TPC



353-SD2

## IMPORTANT CLEANING INSTRUCTIONS

- To ensure that your Symmons product will continue to look as beautiful as the day it was installed, please follow these simple cleaning instructions.
  - To clean the finish on your Symmons product, rinse with clean water, wipe with a soft damp cloth and blot dry with a soft cotton cloth or towel.
  - If heavy cleaning is required start by cleaning as described in Step 1. Use a mild liquid soap or liquid glass cleaner to remove any remaining surface buildup. Rinse product with clean water to remove any remaining cleaning solution and blot dry with a soft cotton cloth or towel.
- Do not use cleaning products containing abrasives, acids, alcohol, bleach or foaming compounds. If any unintentional splashing or overspray of these types of cleaning products comes in contact with your Symmons product, immediately rinse it with clean water and blot dry with a clean soft cotton cloth or towel.

