

PRODUCT SPECIFICATIONS

OVERALL ASSEMBLED DIMENSIONS

HEIGHT: 21.6 CM (8-1/2"), WIDTH: 40.6 CM (16"), EXTENSION: 40.6 CM (16").

PUMP: UL LISTED. 120V, 60HZ, 5 WATT. MODEL: YH-400MIX, SUBMERSIBLE FOUNTAIN PUMP, FLOW RATE: 105 GPH. HEAD: 110 CM (43-1/4") HEIGHT.

UPPER TRAY: PAINTED CONCRETE IN DARK BRONZE FINISH, 22.8 CM (9") SQ. x 4.8 CM (1-7/8") HEIGHT. SHAPED AS SHOWN. WEIGHT: 2.75 LBS.

LOWER TRAY: PAINTED CONCRETE IN LIGHT BRONZE FINISH, 40.3 CM (15-7/8") SQ. x 3.8 CM (1-1/2") HEIGHT. SHAPED AS SHOWN. WEIGHT: 9.68 LBS.

RESERVOIR: PAINTED CONCRETE IN DARK BRONZE FINISH, 23 CM (9") SQ. x 9.6 CM (3-3/4") HEIGHT, EVA PAD INSTALLED ON BOTTOM OF RESERVOIR. WEIGHT: 4.27 LBS.

CORD: UL LISTED, FROM PUMP TO PLUG: MIN. 3.3 M (11') LENGTH. 18 AWG., 3 CONDUCTORS, 105°C, TYPE SJTW, WATER PROOF. BLACK COLOR. COPPER MATERIAL. WIRES MUST BE LEAD FREE.

DECORATIVE RIVER STONES: A BAG OF RIVER STONES (2-3 CM 3.3 LBS.) INCLUDED.

LABELS: MANUFACTURING DATE, MODEL # AND COUNTRY OF ORIGIN LABEL PROVIDED. WARNING LABEL FOR PARTS AND PARTS ARROW LABEL WERE STUCK ON INSIDE OF BOX.

PACKAGING AND SHIPPING DETAILS

THE FOUNTAIN IS DISASSEMBLED FOR SHIPPING. THE COMPONENT PARTS ARE CAREFULLY WRAPPED AND PLACED IN THE INNER PACKING SO THAT THEY CAN NOT MOVE DURING SHIPPING. A SMALL BAG OF SILICA IS INCLUDED IN THE PACKAGE.

THE CARTON IS MADE OF DOUBLE WALL CORRUGATED CARDBOARD "K MA A". BROWN IN COLOR. THE INNER PACKING IS DIE-CUT CARDBOARD AND/OR STYROFOAM SUFFICIENT TO PROTECT AND SECURE THE FOUNTAIN AND MUST PASS THE FEDEX AND ISTA-3A DROP TEST REQUIREMENTS.

EACH CARTON SHALL BE PRINTED WITH A LINE DRAWING AND THE KENROY HOME NAME AND LOGO, MODEL NUMBER AND FINISH, EACH CARTON SHALL BE PROVIDED A UPC LABEL. THE UPC BAR CODE AS FOLLOWS: 053392984502.

OTHER DETAILS

MODEL 51041BRZ INSTRUCTIONS ARE TO BE PACKED WITH EACH FOUNTAIN. INSTRUCTIONS MUST BE PRINTED CLEARLY ON QUALITY PAPER.

ALL VISIBLE PARTS MUST MATCH FOUNTAIN FINISH UNLESS OTHERWISE SPECIFIED.

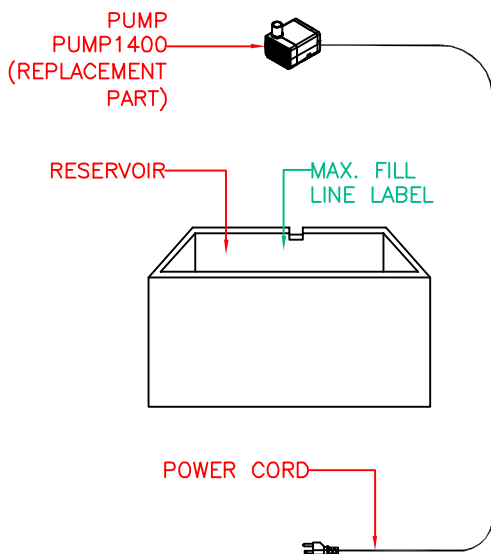
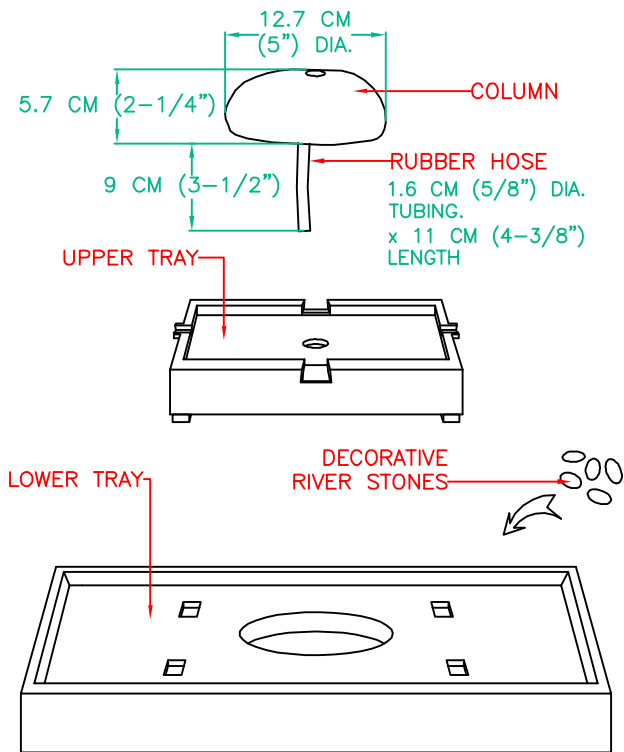
ALL BAGS MUST BE LABELED WITH OFFICIAL "THIS BAG IS NOT A TOY" STATEMENT.

ASSEMBLY TIME: 10 MINUTES.

DIMS OF BOX: 52.1 CM (20-1/2") LENGTH x 25.4 CM (10") WIDTH x 48 CM (19") HEIGHT. (CUFT.: 2.25')

NET WEIGHT: 21 LBS. GROSS WIEGHT: 27.6 LBS.

THIS FOUNTAIN IS RATED FOR INDOOR AND OUTDOOR USE.



AVAILABLE PART IS:
PUMP1400 (PUMP)

**KENROY
HOME**

3723 Regent Boulevard
JACKSONVILLE, FL. 32224
PHONE: 904-642-4340
FAX: 904-642-4150

THIS DOCUMENT AND THE INFORMATION THAT IT DISCLOSES IS THE EXCLUSIVE PROPERTY OF KENROY HOME. ANY REPRODUCTION OR USE OF THIS DRAWING IN PART OR IN WHOLE, WITHOUT THE EXPRESS CONSENT OF THE PROPRIETOR IS PROHIBITED. © 2018 KENROY HOME.

DATE: 1/10/2018

SCALE: NONE

DRAWN BY: ARVIN

REFERENCE:
ZEN INDOOR TABLE FOUNTAIN

APPROVAL:

REVISION DATE:

MODEL #:

REVISION DATE:

51041BRZ

REVISION DATE:

FINISHES:

BRONZE

REVISION DATE:

PAGE: 1 OF 1