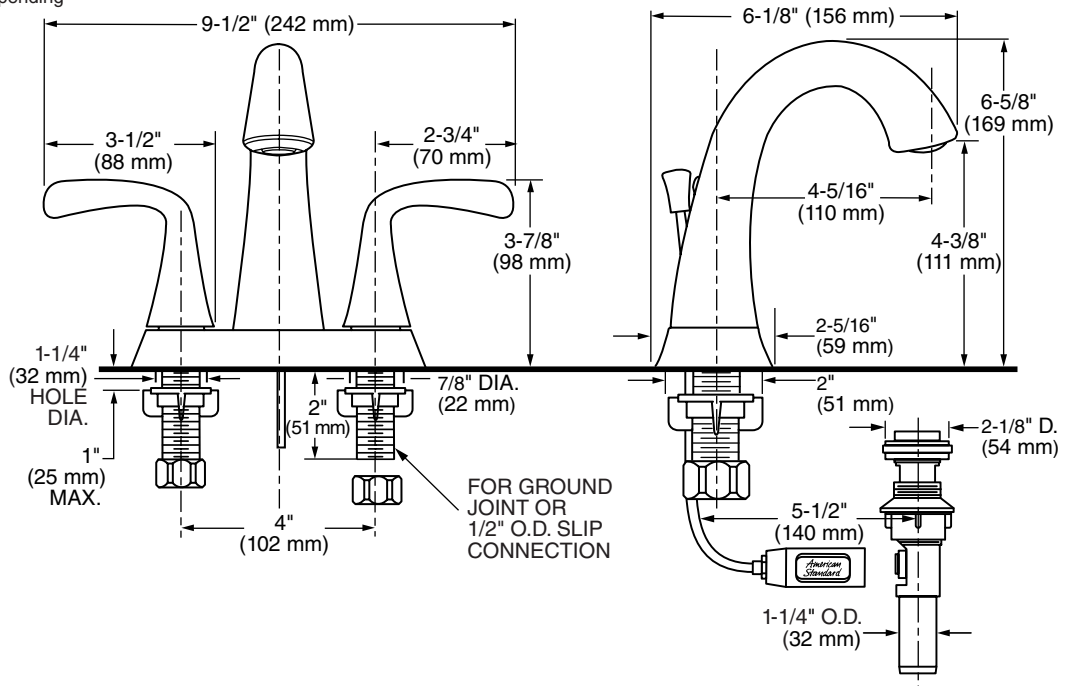


\*WaterSense® approval pending



**GENERAL DESCRIPTION:**

Durable cast brass spout. 1/4 turn washerless ceramic disc valve cartridges. Metal lever handles. Handles available with optional red and blue indicators (7186.211). One-half inch brass male inlet shanks with brass supply nuts. 20 inch (500mm) long flexible stainless steel drain cable is pre-assembled to faucet body. Metal Speed Connect® drain body with 1-1/4 inch (32mm) tail piece (7186.201 & 7186.211). Non-metallic Speed Connect® drain body with 1-1/4 inch (32mm) tail piece (7186.203) 1.5 gpm/5.7L/min. maximum flow rate.

**PRODUCT FEATURES:**

**Brass Spout & Waterway:** Durable - Easy to clean. Ideal for prolonged contact with water.

**Ceramic Disc Valve Cartridges:** Assures a lifetime of smooth handle operation and drip-free performance.

**Lead Free:** Faucet contains ≤0.25% total lead content by weighted average

**Exclusive Speed Connect Metal Drain:**

- Fewer Parts - installs in less time.
- No adjustments required - seals the first time, every time.
- Flexible stainless steel cable - installs effortlessly in tight spaces.

**Choice of Finishes:** Wide range of durable finishes.

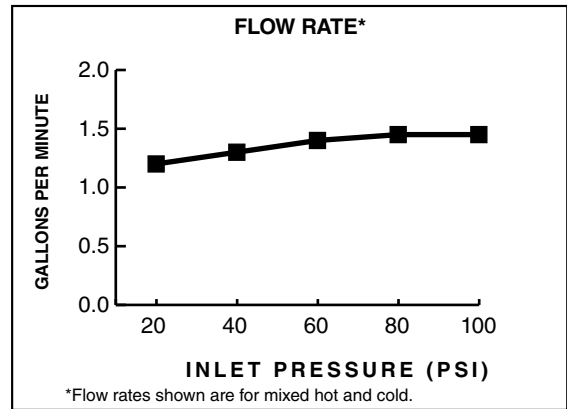
**SUGGESTED SPECIFICATION:**

4" centerset lavatory faucet shall feature cast brass spout. Shall also feature 1/4 turn washerless ceramic disc valve cartridges. Shall also feature a metal drain body with stainless steel cable actuation. Fitting shall be American Standard Model # 7186.\_\_\_\_.\_\_\_\_.

**CODES AND STANDARDS**

These products meet or exceed the following codes and standards:

- ASME A112.18.1
- CSA B 125.1
- NSF 61/Section 9 and Annex G



Product Number	Description		Finish Options		
			Polished Chrome	Oil Rubbed Bronze	Satin Nickel (PVD)
			002	224	295
7186.201	Fluent™ 2-handle centerset with Metal Speed Connect® pop-up drain. Metal lever handles.				
7186.203	Fluent™ 2-handle centerset with Non-Metallic Speed Connect® pop-up drain. Metal lever handles.			N/A	
7186.211	Fluent™ 2-handle centerset with Metal Speed Connect® pop-up drain. Metal lever handles with red and blue indicators.				

Meets the American Disabilities Act Guidelines and **ANSI A117.1** Requirements for the physically challenged.