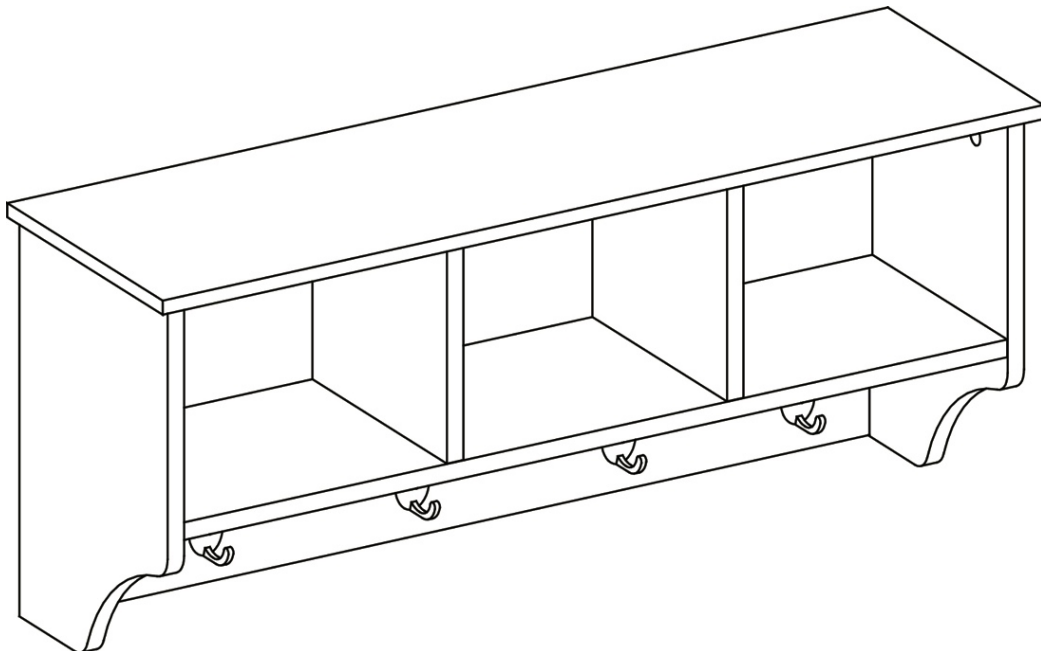




ASSEMBLY INSTRUCTIONS



RiverRidge® Woodbury Wall Shelf with Cubbies & Hooks

ITEM #: 16-030

ADULT ASSEMBLY REQUIRED

This product requires assembly by an adult because of small parts. Care should be taken in unpacking and assembling this item to keep small parts away from children. During assembly children should be kept away from the product due to possible risk of injury.

WARNING SEE FULL WARNING ON PAGE 2

Young children can be seriously injured or killed if furniture tips over. Don't use this item for a TV stand or place heavy objects on top of item. Always use angle-braces or anchors to secure furniture to the wall.

THIS SHELF UNIT WILL HOLD UP TO 10 POUNDS PER CUBBY FOR A TOTAL OF 30 POUNDS. DO NOT LOAD CUBBIES WITH MORE THAN 10 POUNDS. OVERLOADING WITH MORE THAN 10 POUNDS PER CUBBY MAY CAUSE SHELF TO FALL FROM WALL AND CAUSE DAMAGED TO THE SHELF OR SERIOUS INJURY OR DEATH.

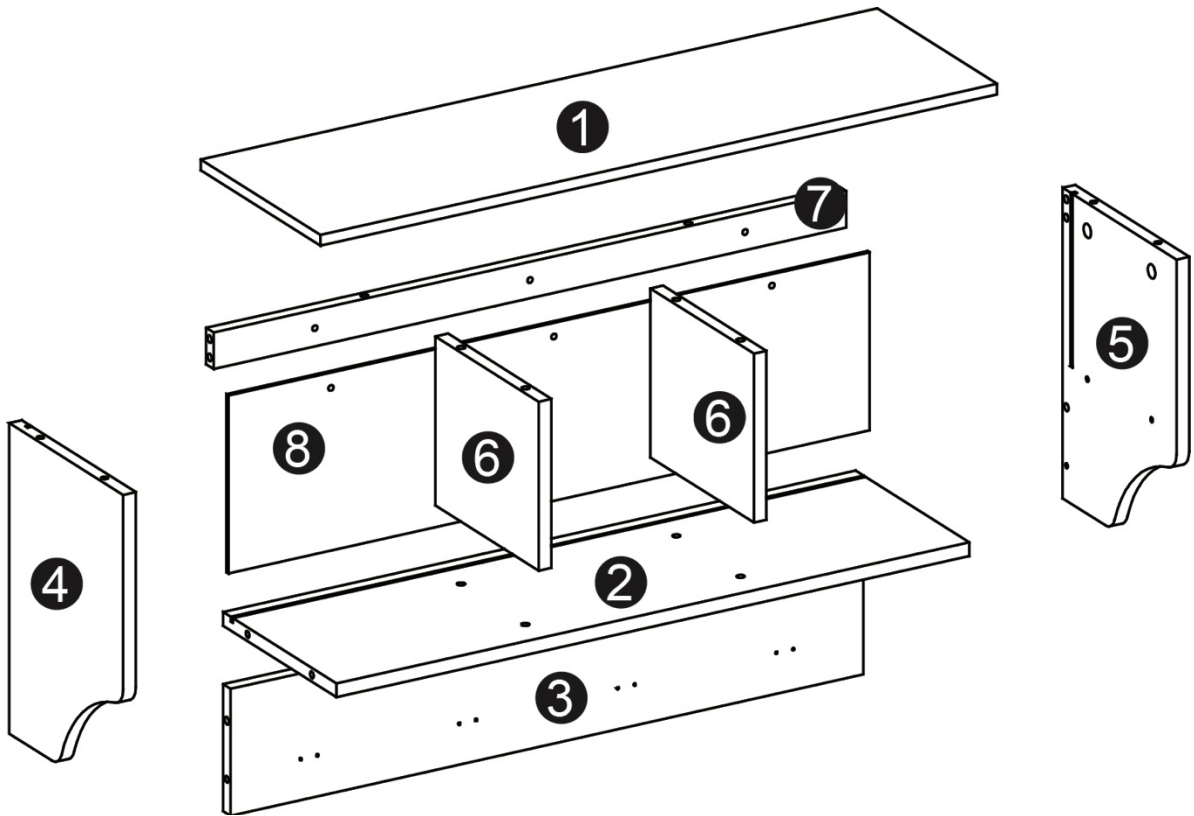


WARNING

SERIOUS OR FATAL INJURIES CAN OCCUR FROM FURNITURE TIP-OVER. TO HELP PREVENT TIP-OVER:

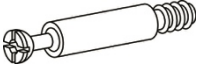



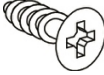

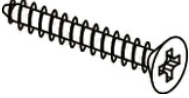

- **Always use tip over restraints and/or wall anchors to secure furniture to the wall**
- **Place heaviest items in the lowest drawers/bins or shelves**
- **Do not set TV's or other heavy objects on the top of this product**
- **Never allow children to climb or hang on to the drawers/bins, doors or shelves of furniture**
- **Never open more than one drawer at a time or defeat or remove any drawer interlock system**

PARTS LIST



NO	QTY	DESCRIPTION
1	1PC	Top Board
2	1PC	Bottom Board
3	1PC	Lower Cross Board
4	1PC	Left Side Panel
5	1PC	Right Side Panel
6	2PCS	Divider Board
7	1PC	Rear Cross Bar
8	1PC	Back Board

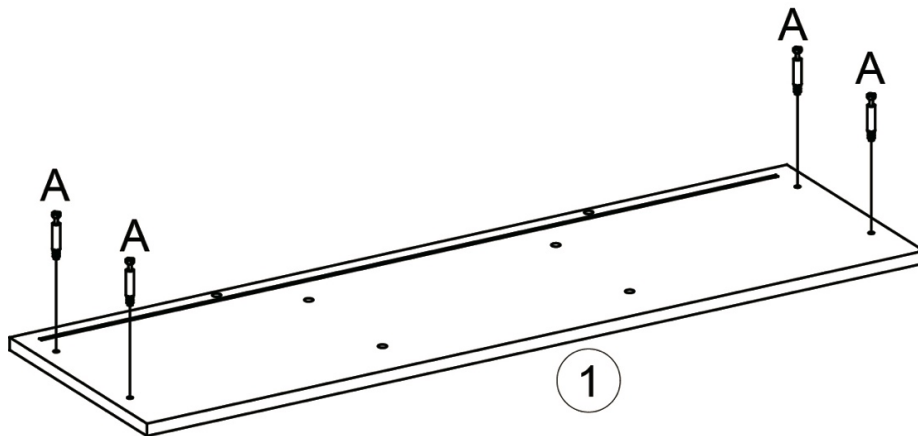
PARTS LIST

NO	PART	QTY	DESCRIPTION
A		10PCS	Cam Bolt
B		10PCS	Cam Lock
C		18PCS	Wood Dowel
D		4PCS	Coat Hook
E		8PCS	Screw (3x12mm)
F		3PCS	Plastic Anchor
G		3PCS	Screw (4x45mm)
		1 PC	Wall Mounting Paper Template

**TOOLS NEEDED FOR ASSEMBLY: FLAT & PHILLIPS SCREWDRIVER (NOT INCLUDED)
THE USE OF A POWER SCREWDRIVER IS NOT RECOMMENDED FOR ASSEMBLY
DO NOT USE ITEM IF ANY PARTS ARE MISSING OR DAMAGED**

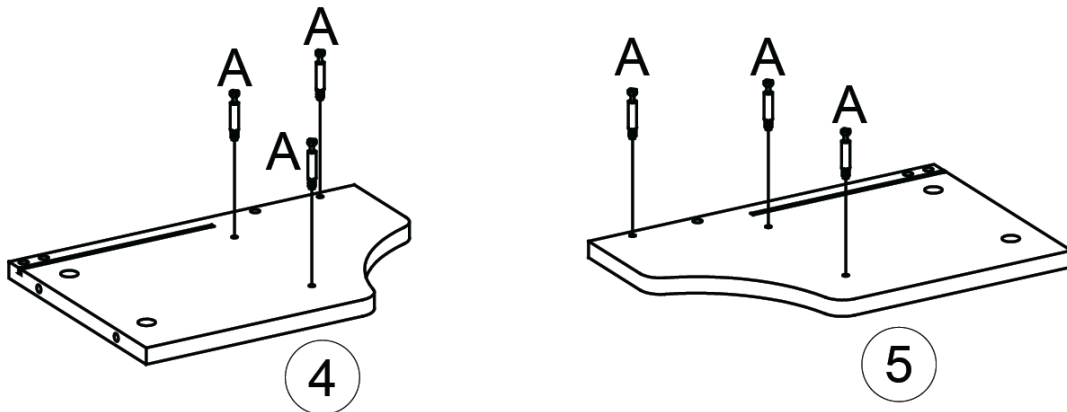
To order replacement parts at no cost to you, email customer.service@ssi-rr.com, call 1-(844)-223-5201 or order parts online at www.riverridgehome.com. Only valid in the United States. If purchased outside of the United States, please contact retailer where purchased.

STEP 1



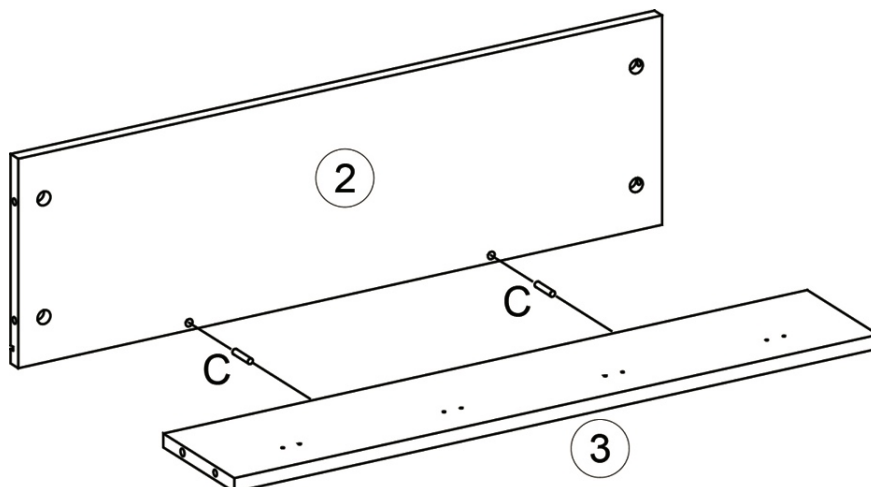
1. Screw 4 cam bolts (A) into cam bolt holes on top board (1).

STEP 2



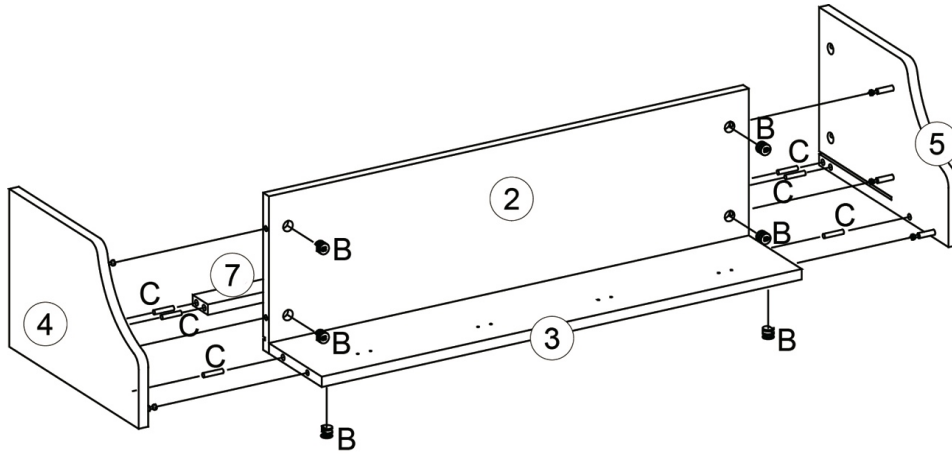
1. Screw 6 cam bolts (A) into cam bolt holes on left side panel (4) and right side panel (5).

STEP 3



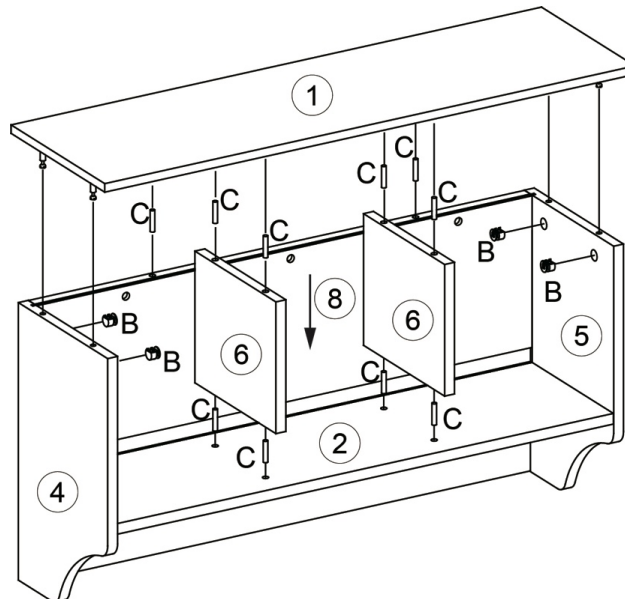
1. Insert 2 wood dowels (C) into wood dowel holes on lower cross board (3).
2. Attach lower cross board (3) to bottom board (2) by inserting wood dowels (C) into wood dowel holes on bottom board (2).

STEP 4



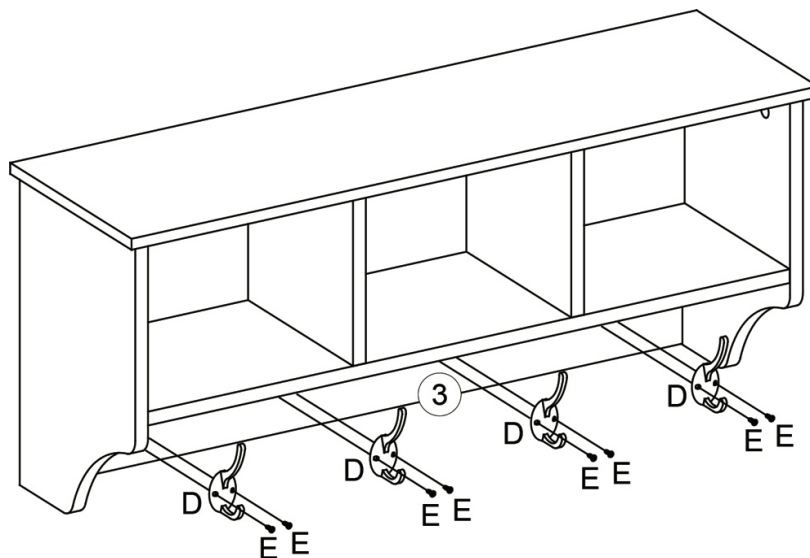
1. Insert 3 wood dowels (C) into wood dowel holes on left side panel (4).
2. Attach left side panel (4) to rear cross bar (7), bottom board (2) and lower cross board (3) by inserting wood dowels (C) into wood dowel holes and cam bolts (A) into cam lock holes on rear cross bar (7), bottom board (2) and lower cross board (3).
3. Insert 3 cam locks (B) into cam lock holes on bottom board (2) and lower cross board (3), then rotate clockwise to secure cam bolts in place.
4. Repeat above steps to assemble right side panel (5) to rear cross bar (7), bottom board (2) and lower cross board (3).

STEP 5



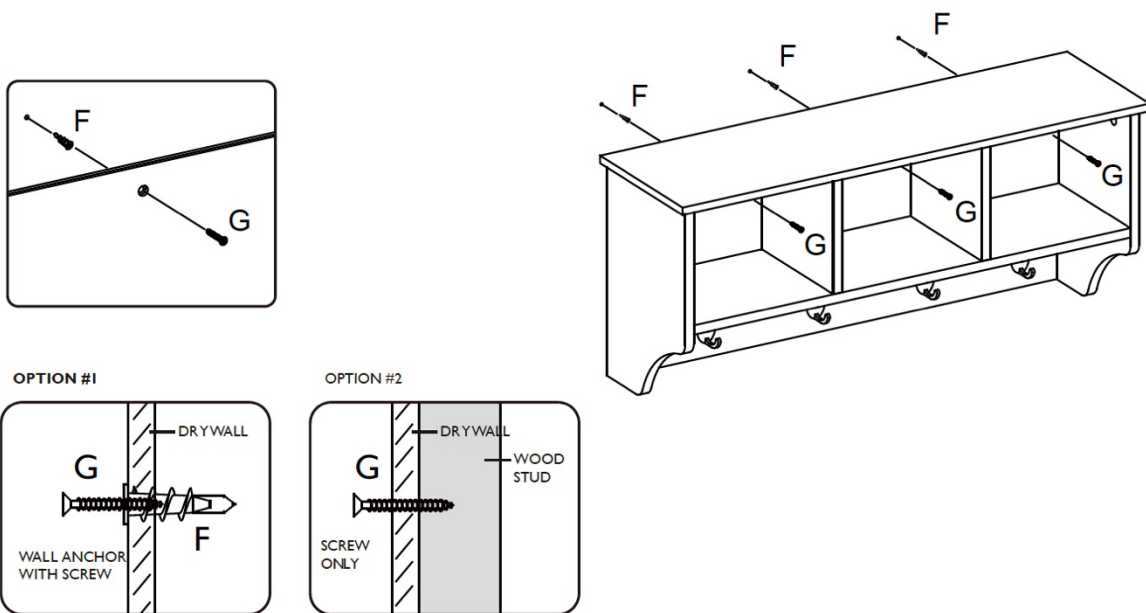
1. Insert 10 wood dowels (C) into wood dowel holes on divider boards (6) and rear cross bar (7).
2. Attach divider boards (6) to bottom board (2) by inserting wood dowels (C) into wood dowel holes on bottom board (2).
3. Slide back board (8) into grooves on left side panel (4), right side panel (5) and bottom board (2).
4. Attach top board (1) to left side panel (4), right side panel (5), divider boards (6) and rear cross bar (7) by inserting wood dowels (C) into wood dowel holes on top board (1) and cam bolts (A) into cam lock holes on left side panel (4) and right side panel (5). Make sure back board (8) is in groove on top board (1).
5. Insert 4 cam locks (B) into cam lock holes on left side panel (4) and right side panel (5), then rotate clockwise to secure cam bolts in place.

STEP 6



1. Attach 4 hooks (D) to cabinet by inserting 8 screws (E) through holes on hooks (D), then tighten to lower cross board (3).

STEP 7



Option #1: Securing to Drywall

1. Using paper wall mounting template to determine position, screw 3 plastic anchors (F) into drywall.
2. Place shelf against wall and insert 3 screws (G) through holes on rear cross bar (7), then tighten to plastic anchors (F).

Option #2: Securing to Drywall and Wood Stud

1. Place shelf against wall, insert 3 screws (G) through holes on rear cross bar (7), then tighten through drywall and into wood stud.

ATTENTION ADULTS: Cabinet should be checked periodically for damage or loose screws/parts. Take appropriate action necessary to correct hazards such as tightening of screws and taking any damaged parts away from children.

WARNING  Please make sure your item is secured to the wall, per assembly instructions.

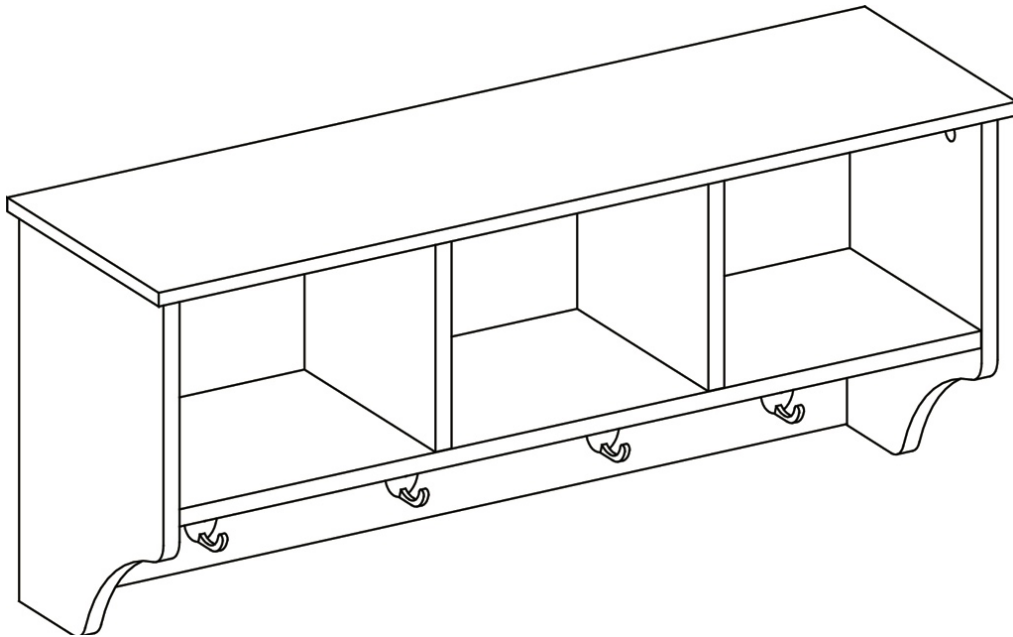
CARE INSTRUCTIONS:

Wipe clean with a water dampened cloth. Wipe dry with clean cloth.

IMPORTANT:

Keep assembly instructions for future reference.

Enjoy your new RiverRidge® Wall Shelf!



Thank you for purchasing this RiverRidge® Home item. We hope you enjoy it and consider purchasing other RiverRidge® items.

To order replacement parts at no cost to you, email customer.service@ssi-rr.com, call 1-(844)-223-5201 or order parts online at www.riverridgehome.com. Only valid in the United States. If purchased outside of the United States, please contact retailer where purchased.



RiverRidge® is a registered trademark of Sourcing Solutions, Inc., Hudson, WI 54016