

STERLING®

A KOHLER COMPANY

ADVANTAGE™

Features

- Compression molded from our exclusive solid Vikrell® material
- Durable swirl-gloss finish
- 10-year consumer/3-year commercial limited warranty
- 48" (121.9 cm) x 35-1/4" (89.5 cm) x 18" (45.7 cm) unit rough-in dimensions include nailing flange
- 48" (121.9 cm) x 34" (86.4 cm) x 17-1/4" (73.8 cm) complete unit finished dimensions

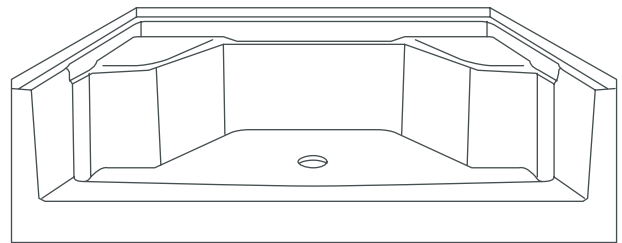
48" (121.9 cm) SEATED SHOWER RECEPTOR 62031100



Codes/Standards Applicable

Specified model meets or exceeds the following:

- ANSI Z124.1.2
- IAPMO/UPC
- HUD, UM Bulletin 73A
- NAHB Research Foundation, Inc.
- ASTM E162
- ASTM E662



Colors/Finishes

- 0: White
- Other: Refer to Price Book for additional colors/finishes

Specified Model

Model	Description	Colors/Finishes	
62031100	48" (121.9 cm) seated shower receptor	<input type="checkbox"/> 0	<input type="checkbox"/> Other_____

Technical Information

Model	door maximum width	door maximum height
62031100	*44-3/4" (113.7 cm)	*NA
* Varies with alternative walls.		

Installation Notes

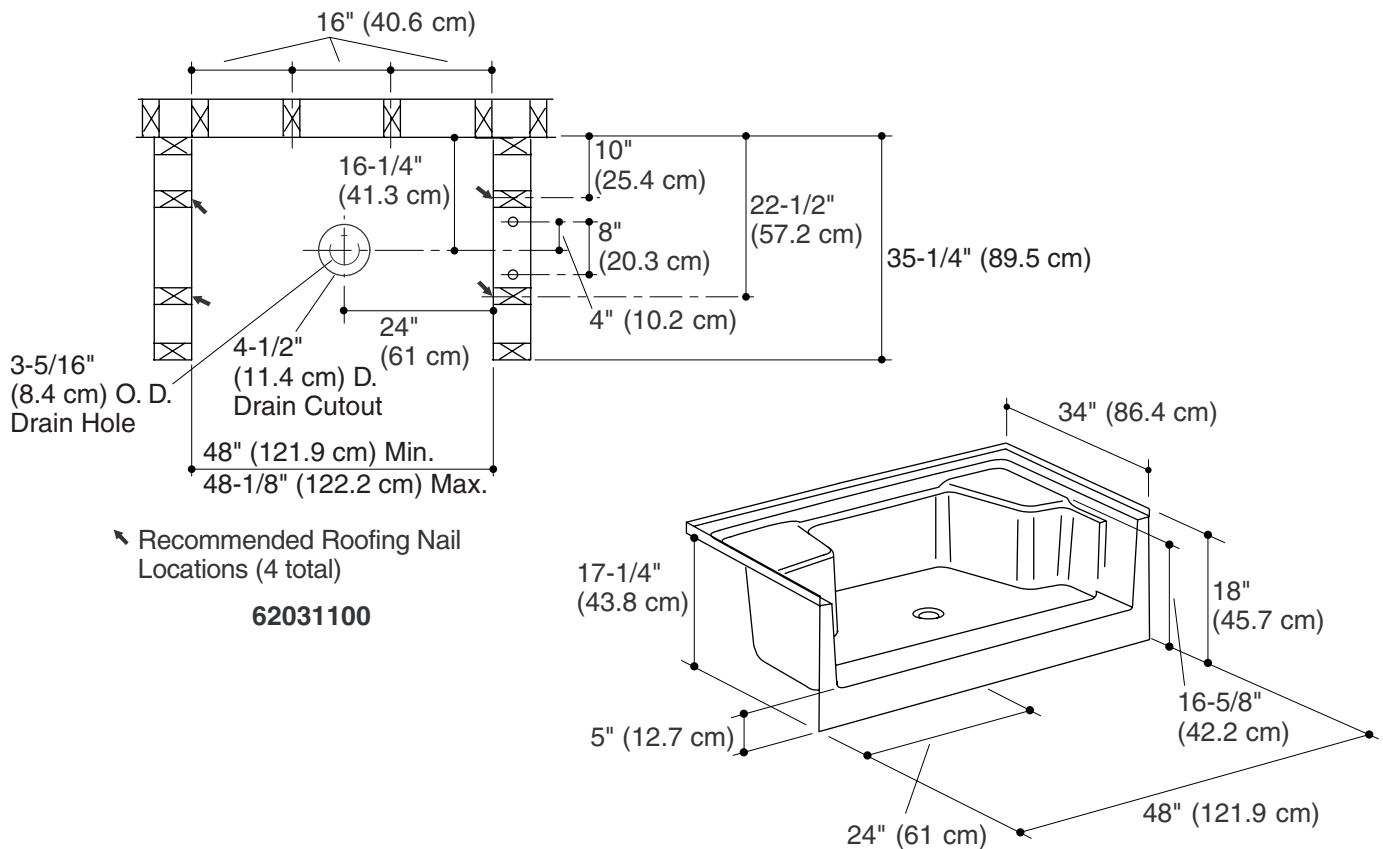
Install this product according to the installation guide.

Size the drain cutout to fit the drain assembly that will be used.

End stud positioning is critical if nailing-in flanges are to be used.

Double studding is recommended for pivot shower door installations.

Studs should be positioned roughly as shown for roofing nail installation.



Product Diagram