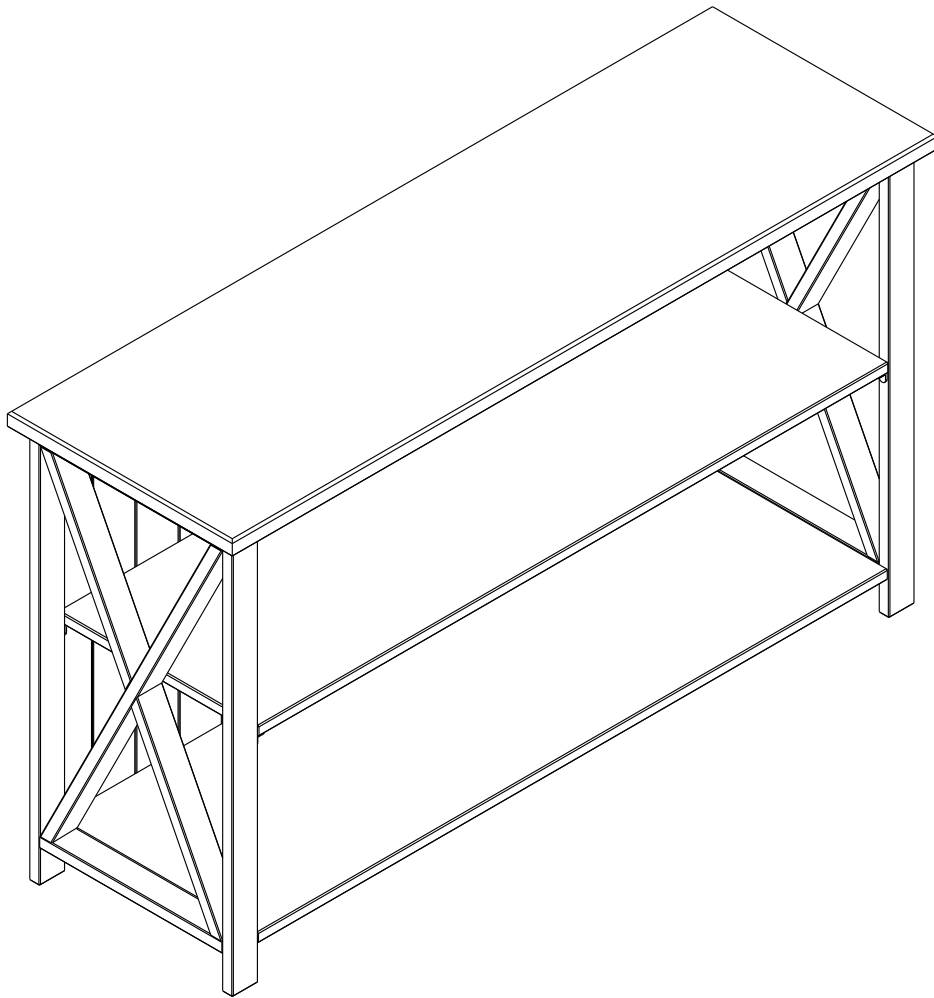


Item #: BS52LCS

Assembly Instructions



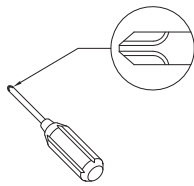
Walker
Edison®

Please visit our website for the most current instructions, assembly tips report damage, or request parts. www.walkerediton.com

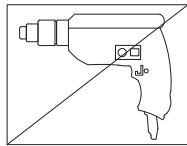
Revised 07/2019

General Assembly Guidelines

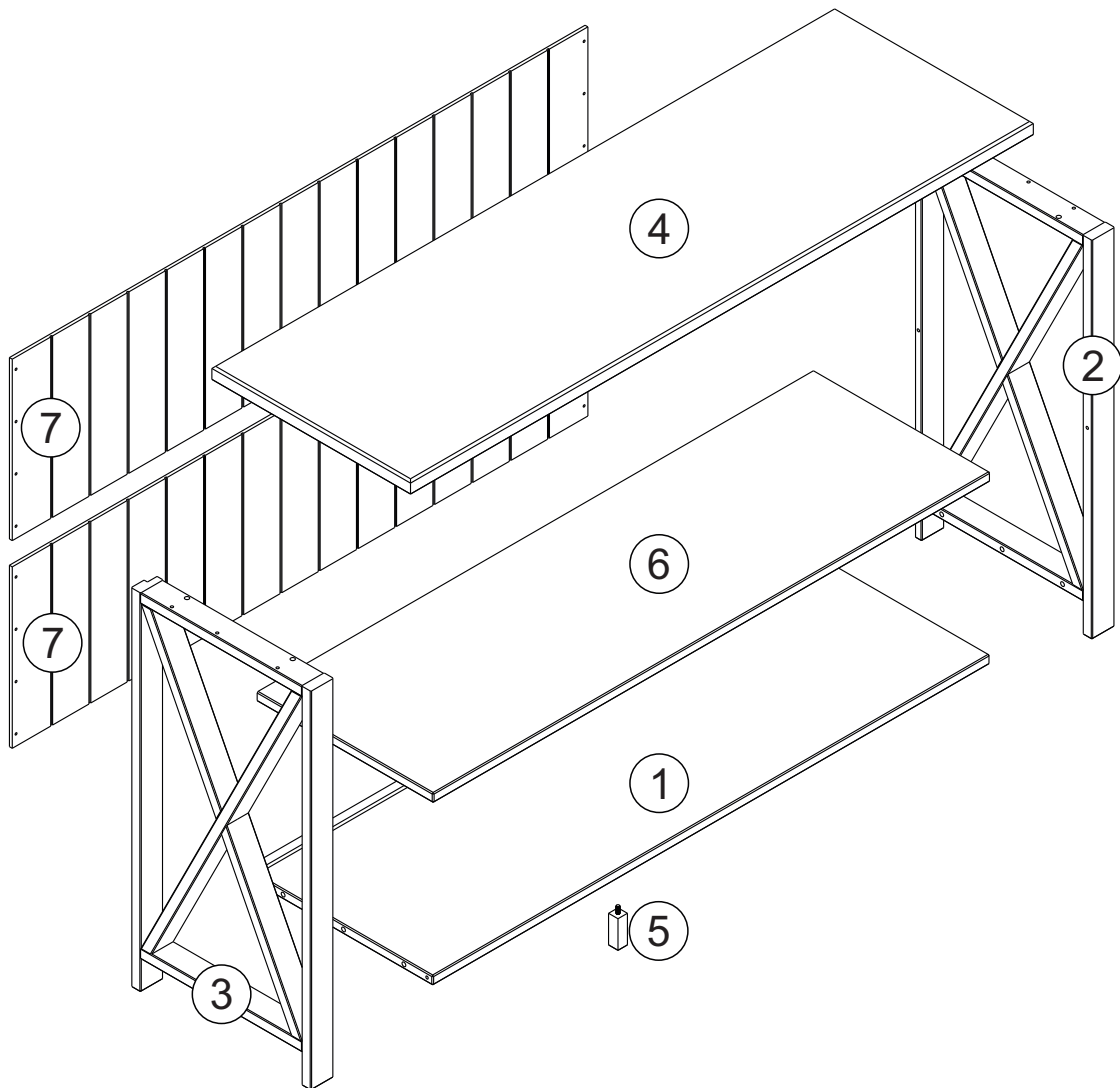
- I. Ensure that all parts and hardware are available before beginning assembly.
- II. Follow each step carefully to ensure the proper assembly of this product.
- III. Two people are recommended for ease in the assembly of this product.
- IV. The three main types of hardware used to assemble this product are : wood dowels , screws and bolts.
- V. A Phillips head screwdriver is required for the assembly of this product .



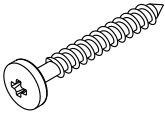
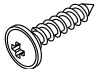
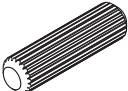
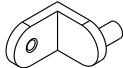
- VI. Power tools should not be used to assemble this product .

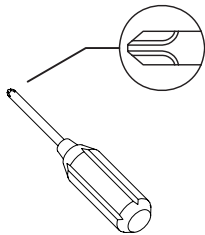


Parts List



Hardware List

A		Ø 4,0 x 35 mm	Screw	10 pcs
B		Ø 3,5 x 16 mm	Screw	29 pcs
C		Ø 8 x 30 mm	Wood dowel	10 pcs
D			Metal Bracket	04 pcs

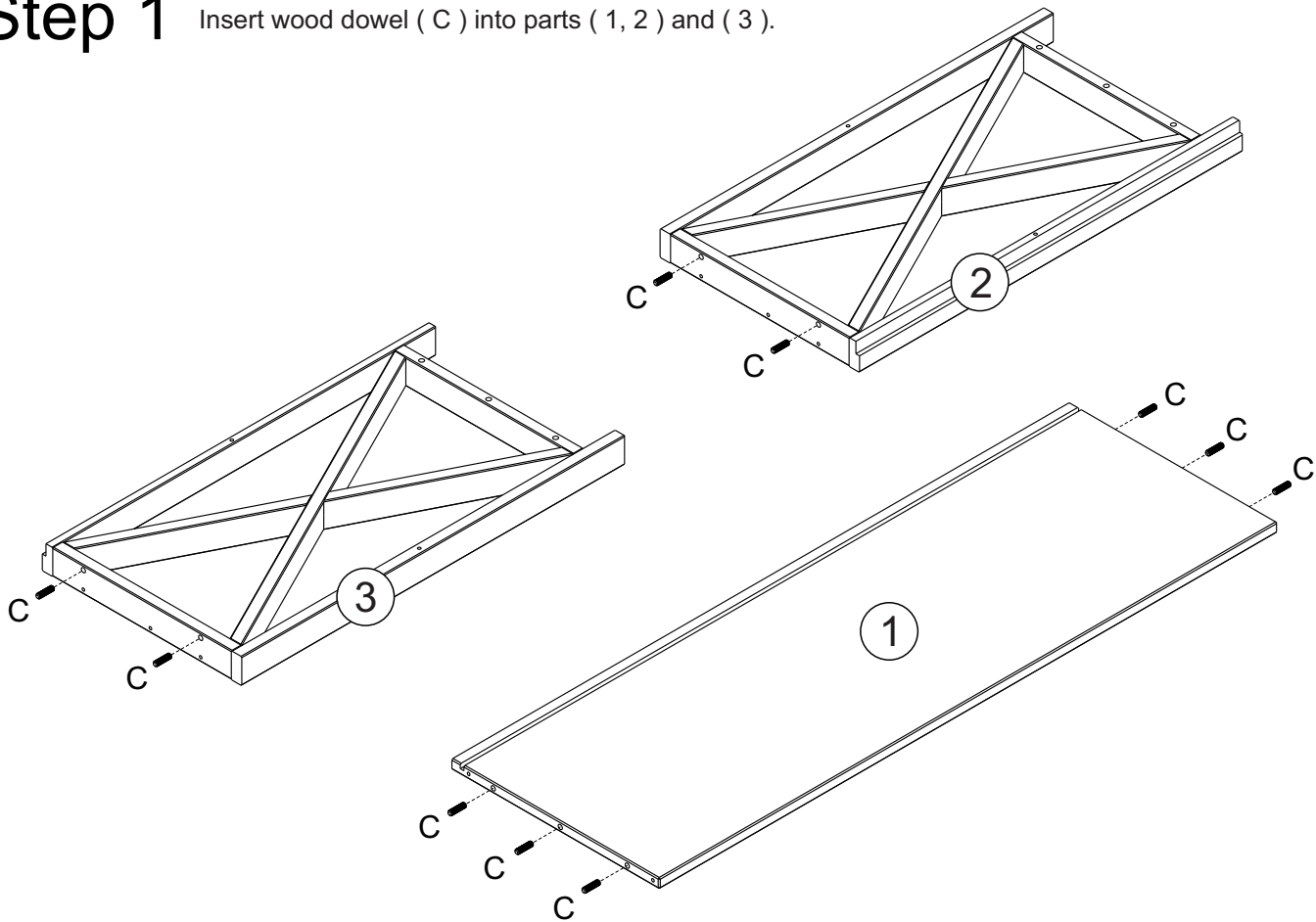


Philips head screwdriver required for assembly
(not included)

*The hardware quantities listed above are required for proper assembly.
Some extra hardware may also have been included.*

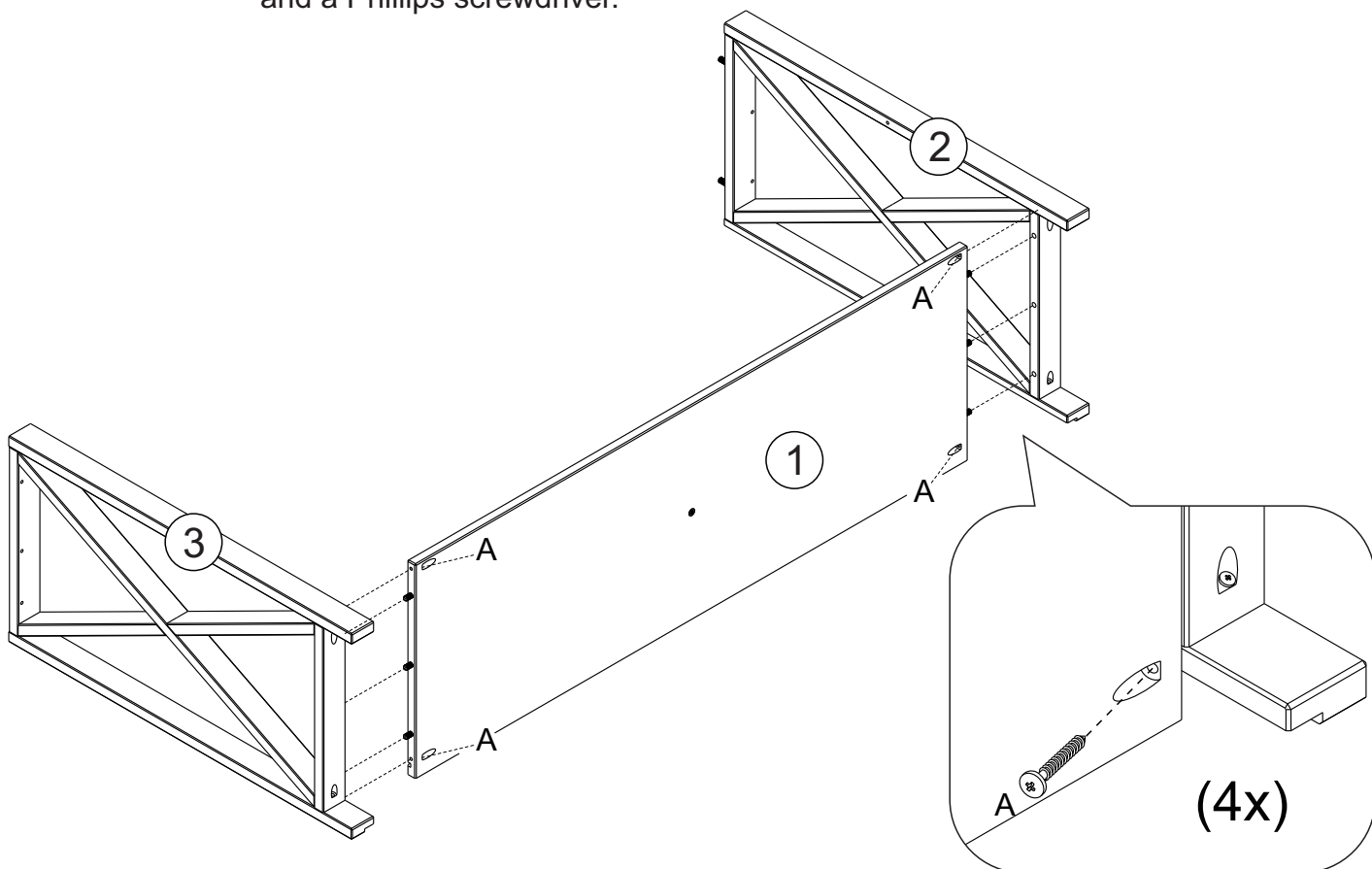
Step 1

Insert wood dowel (C) into parts (1, 2) and (3).



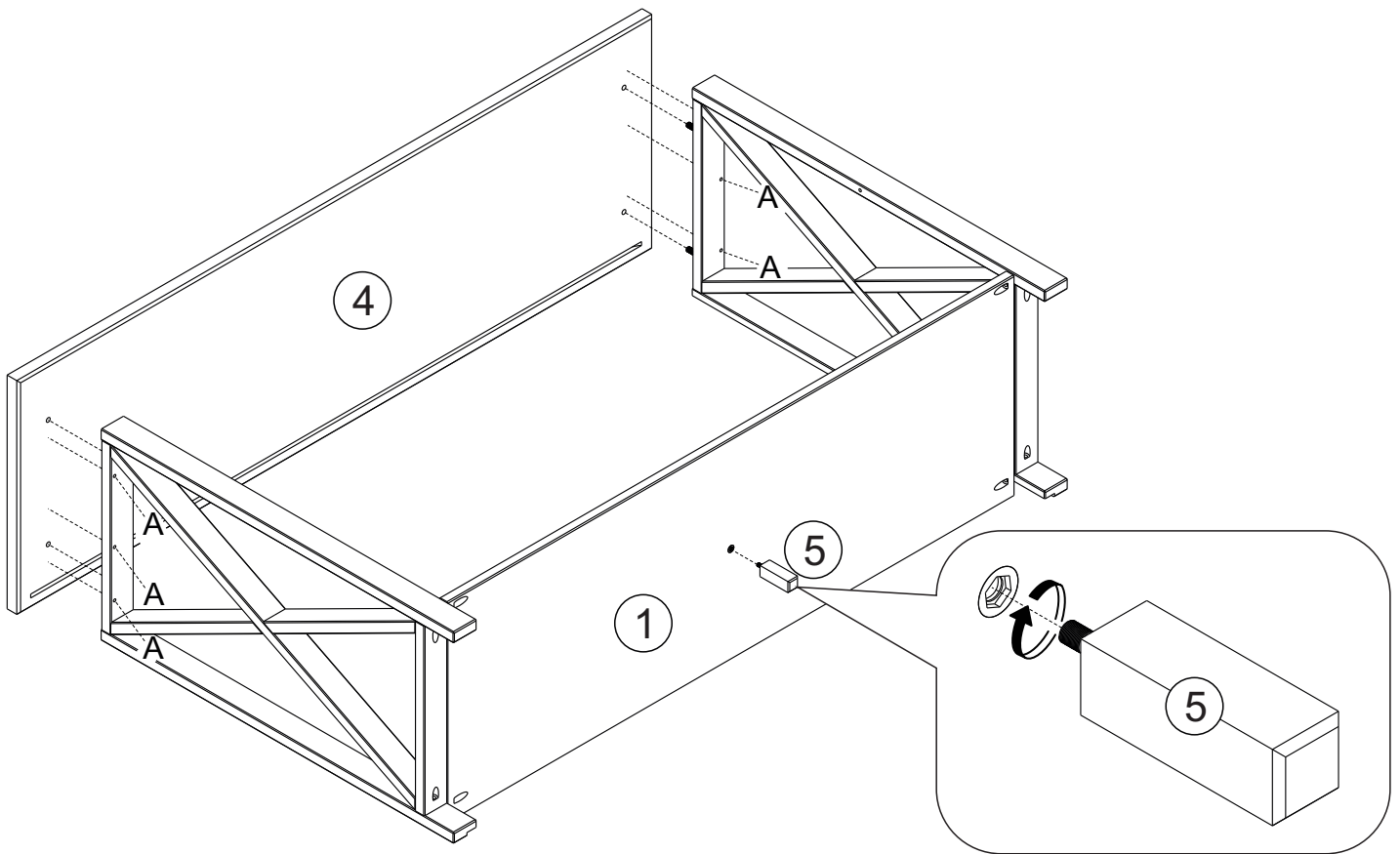
Step 2

Attach wood dowels on the holes in the part (2) and (3).
Attach the part (1) to part (2) and (3) using screw (A) and a Phillips screwdriver.



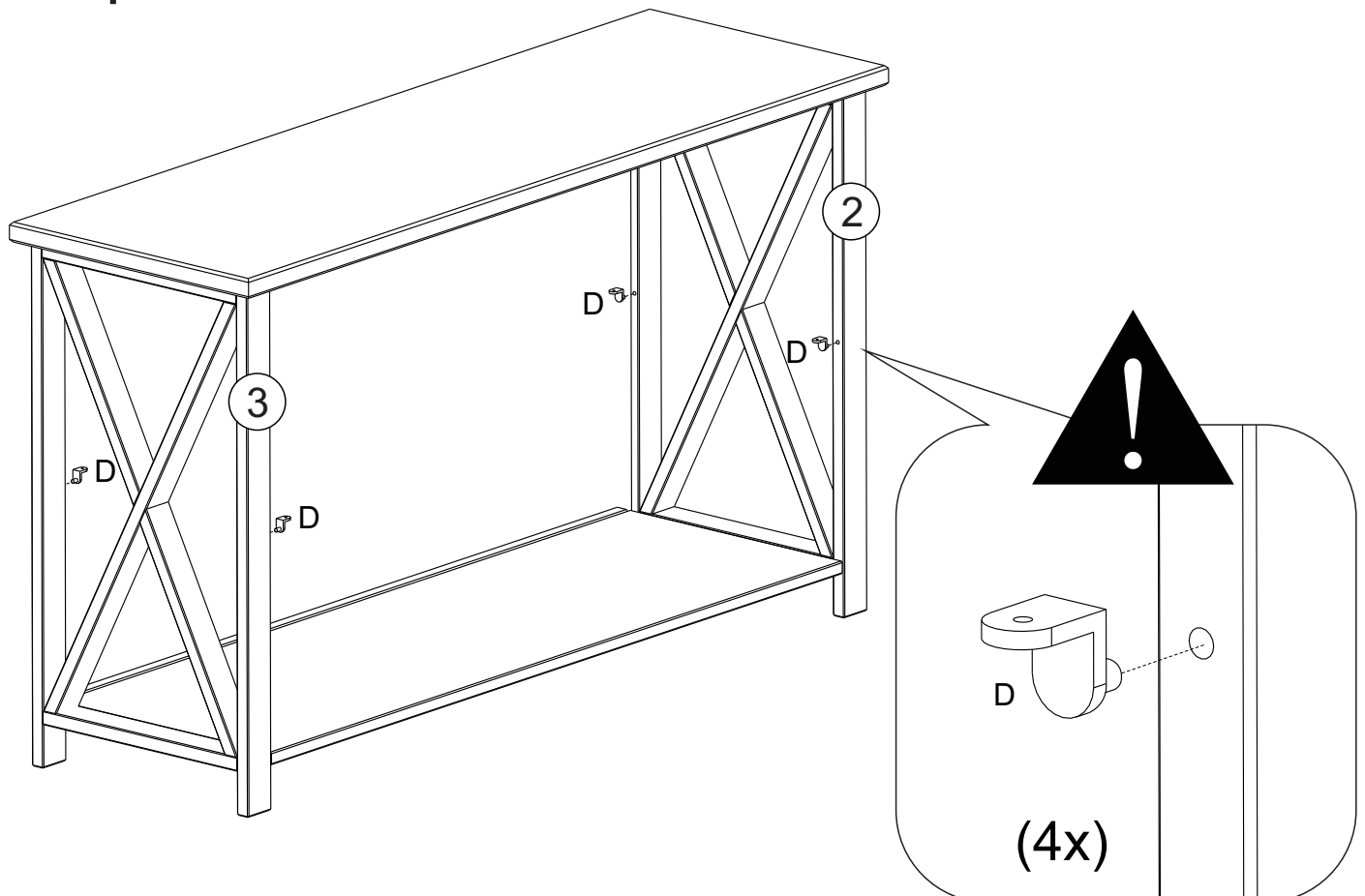
Step 3

Attach wood dowels on the holes in the part (4).
Attach the part (4) using screw (A) and a Phillips head screwdriver.
Attach the part (5) to part (1).



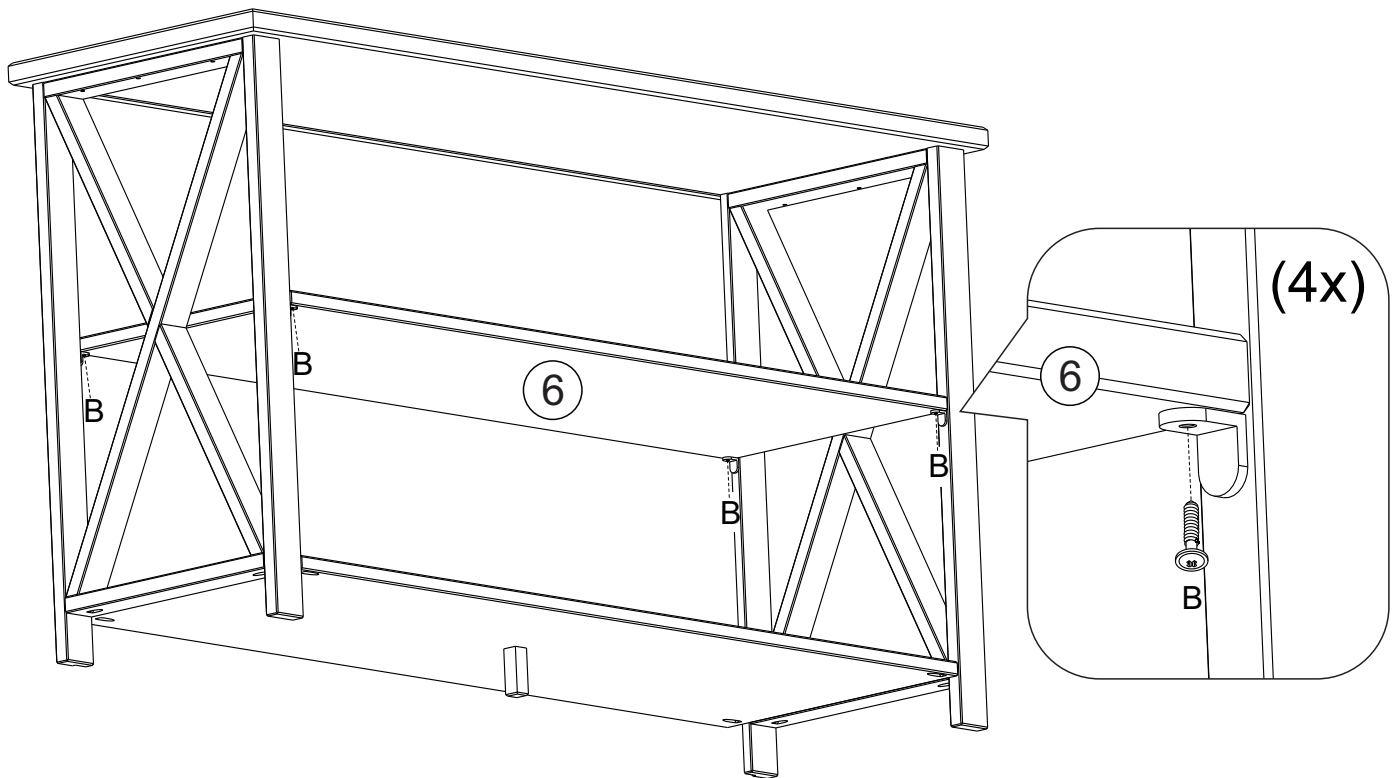
Step 4

Attach metal bracket on the holes in the part (2) and (3).



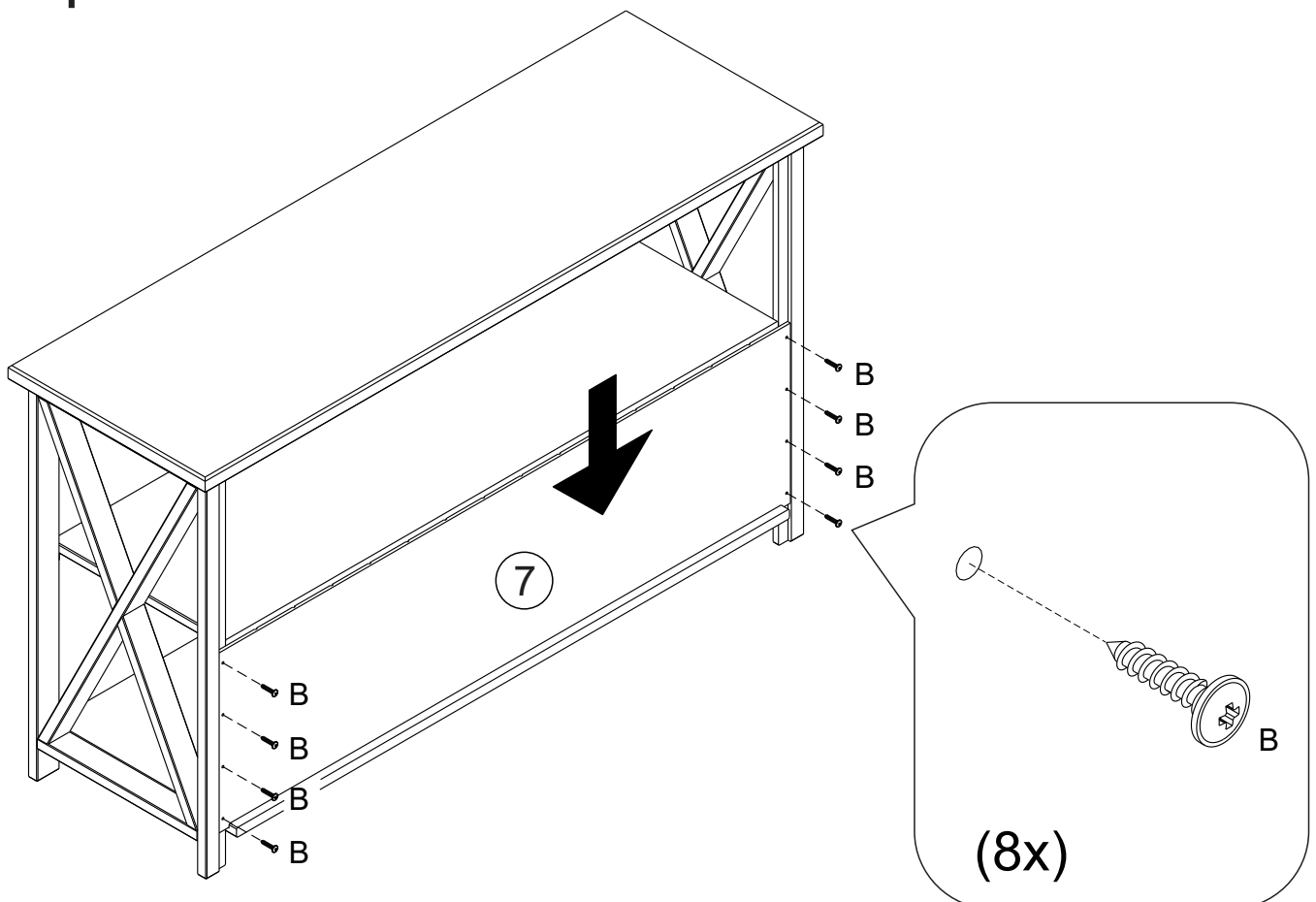
Step 5

Attach part (6) using screw (B) and Phillips head screwdriver.



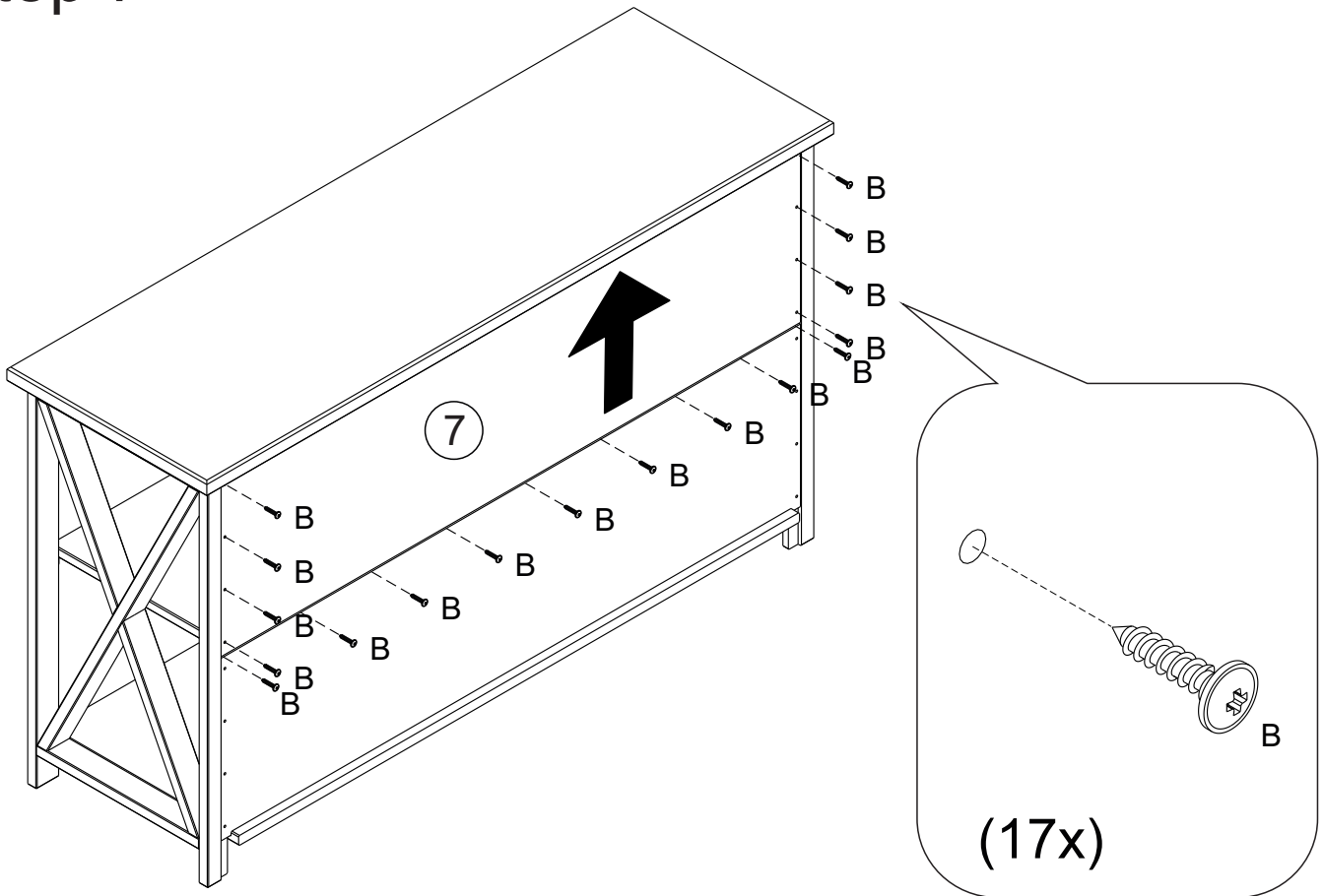
Step 6

Attach part (7) using screw (B) and Phillips head screwdriver.

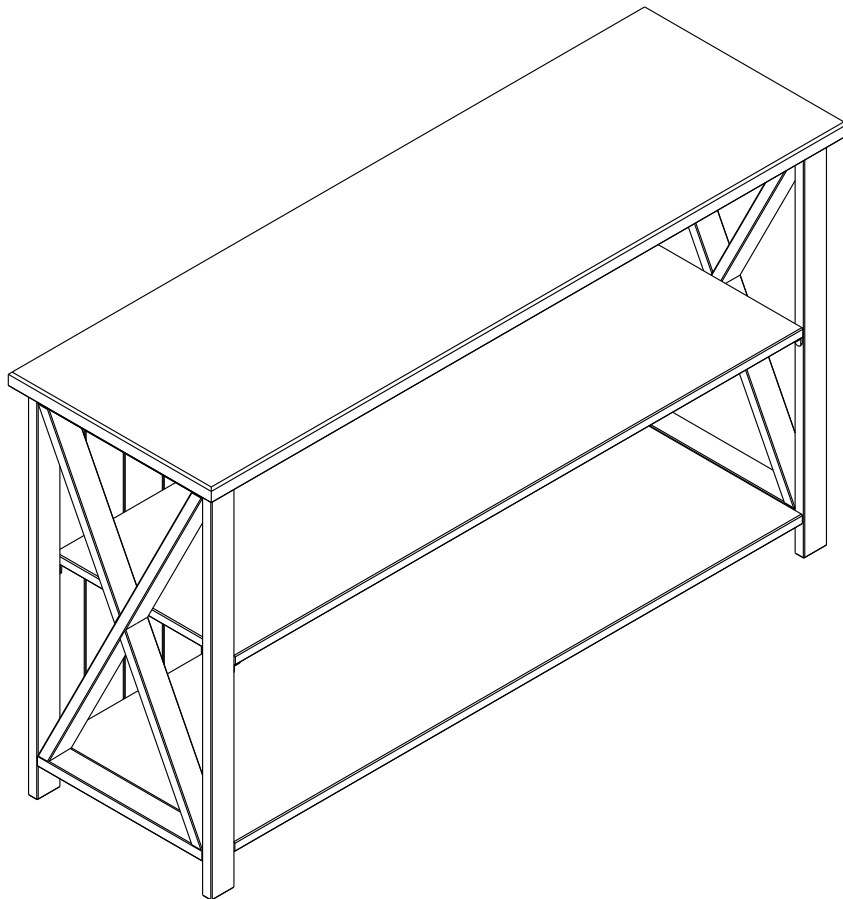


Step 7

Attach part (7) using screw (B) and Phillips head screwdriver.



Step 8



Final Assembly.