

All awning sizes over 6' wide come in multiple sections. Example: Size 6' Top Bar (TB) consists of TB1 & TB2 and Front Bar (FB) consist of FB1 & FB2

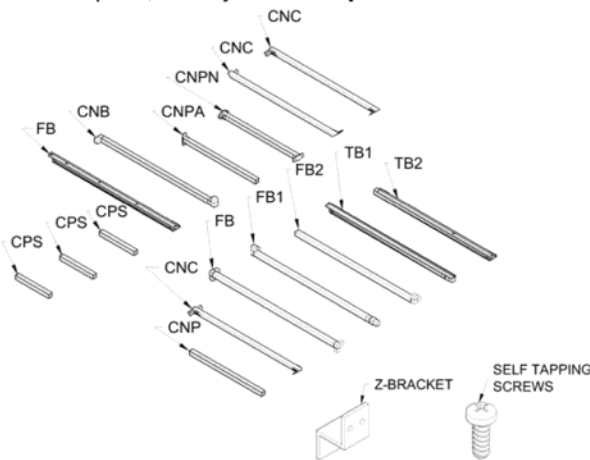
**Tools Required:** Electrical Drill, 1/4" Nut Driver Bit, Full Socket Set, Full set of Steel and Masonry Bits, Tape Measure, Safety Glasses, 4' Level, A Safe Ladder, #2 Pencil

YOU MAY ALSO NEED AN ASSISTANT FOR LARGER AWNINGS. IT DEPENDS ON THE SIZE AND WEIGHT OF THE AWNING.

NOTE: YOU WILL FIND THAT THE FITTINGS HAVE BEEN PRE-INSTALLED, AS WE HAVE PRE-ASSEMBLED AND INSPECTED IT FOR YOU IN THE FACTORY.

**New Yorker should be assembled on the ground**

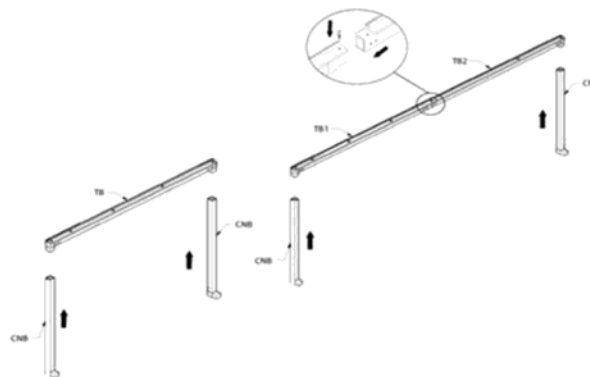
**STEP 1:** Separate all of the parts, so they will be easy to assemble.



**Step 2:** Connect Top Bar (TB) to the (2) two back bars (CNB). Make sure the C-Channel is towards the back. The Velcro on the back bars should be facing front. Use a rubber mallet to fully seat the tubing into the fitting. Secure with self-tapping screws.

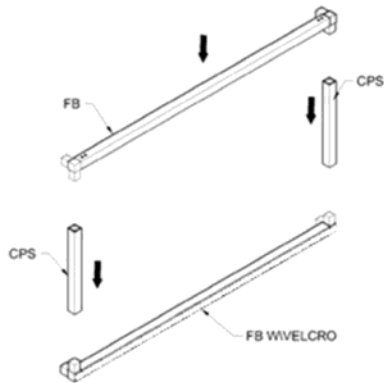
**Frame 2'-4'**

**Frame 5'-24'**

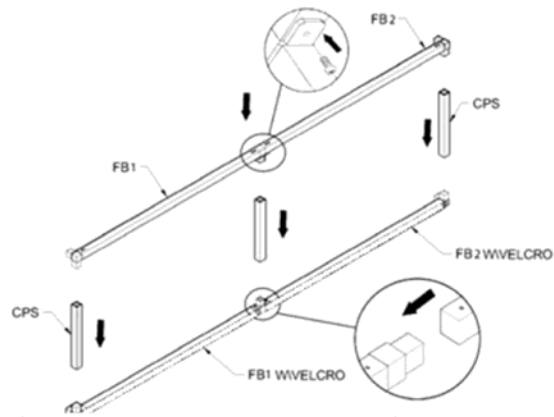


Step 3: Assemble the front structure. The Front Bar (FB) with Velcro, placed on the bottom. The Velcro will face you. Insert Projection supports (CPS) in to the ends. Note: 5' to 20' awnings extra supports are included, they are shorter then (CPS). Place them in inserts. Then place the Front bar on top and secure with Self tapping screws.

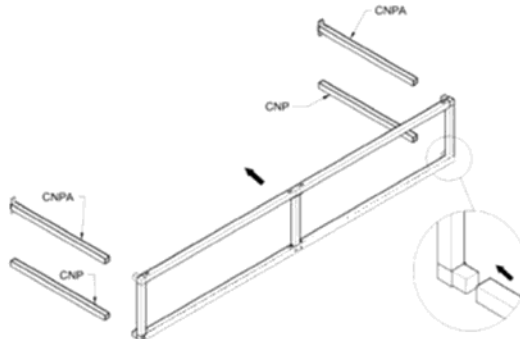
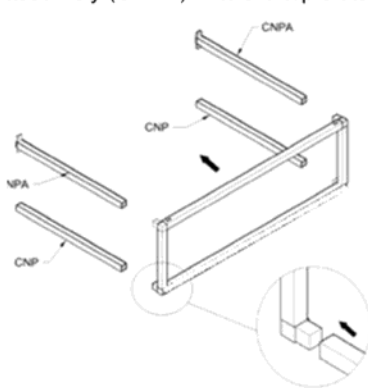
**Frame 2'-4'**



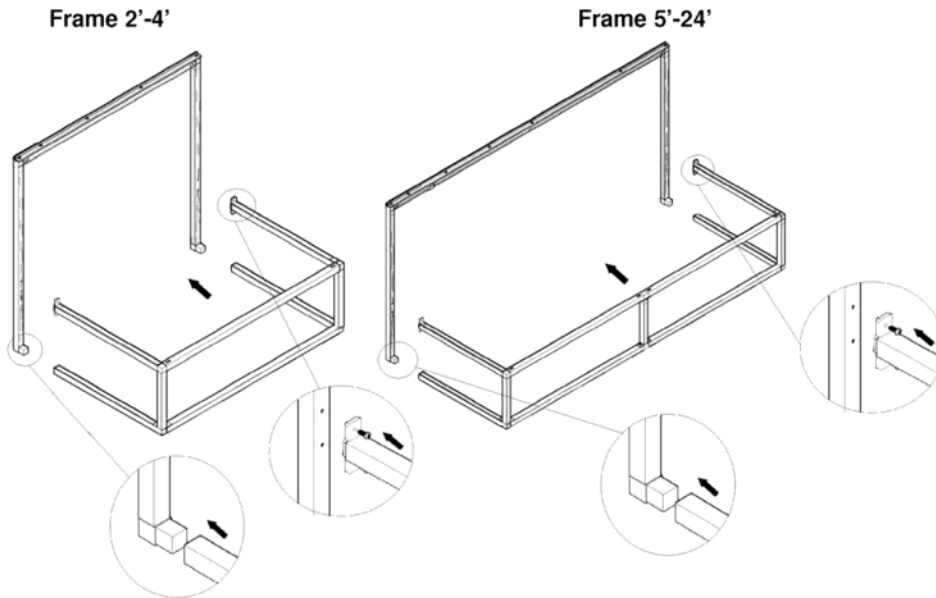
**Frame 5'-24'**



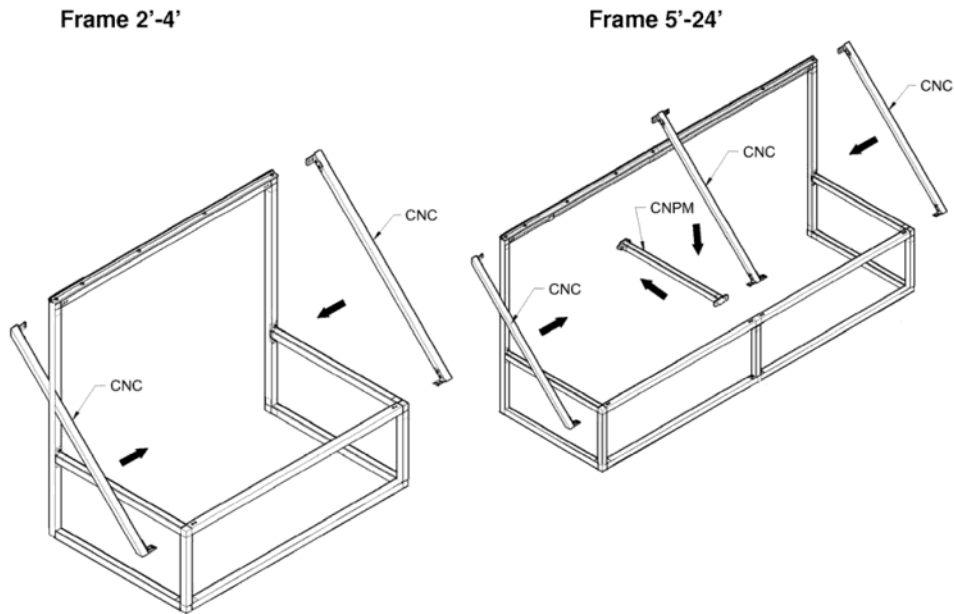
Step 4: Insert the Projection Bars (CNP) in to the bottom slots, and insert the Projection assembly (CNPA) in to the top slots.



Step 5: Connect the Front Bar Assembly on to the Back Bar Assembly.. Secure with Self tapping screws.

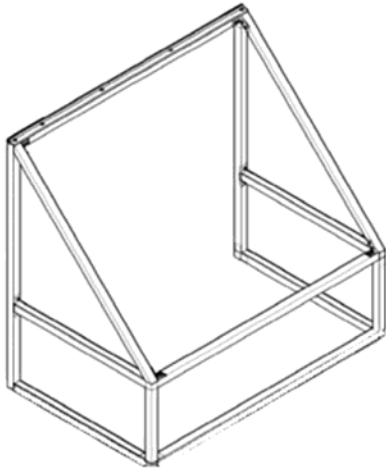


Step 6: Install the Cover Supports (CNC) with arrows pointing upward. Attach both ends to the (TB) and (FB). Larger awnings have add Cover support (CNC) and Wall Support (CNPM). Secure with self-tapping screws.

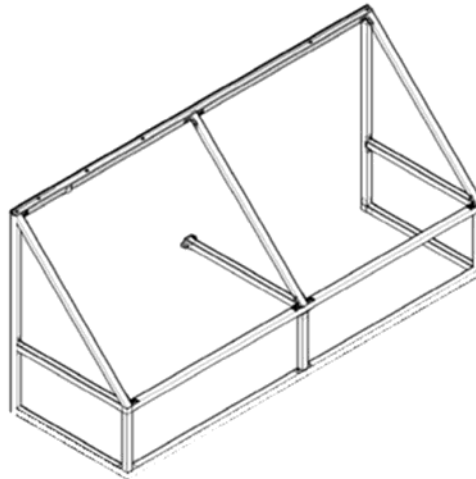


The frame for the New Yorker is complete

Frame 2'-4'

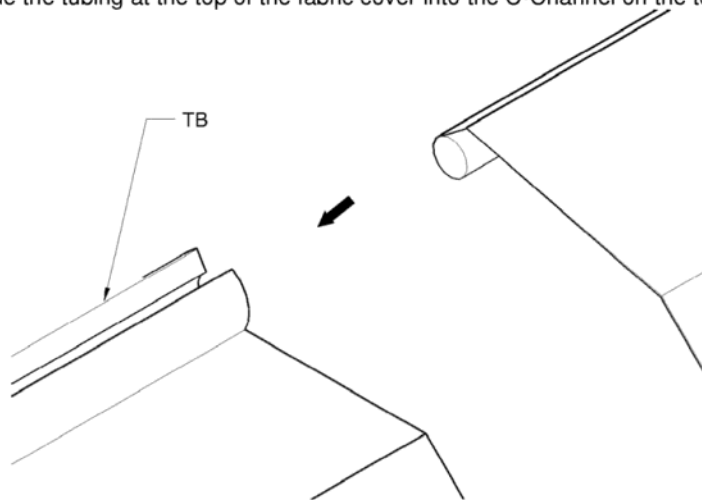


Frame 5'-24'



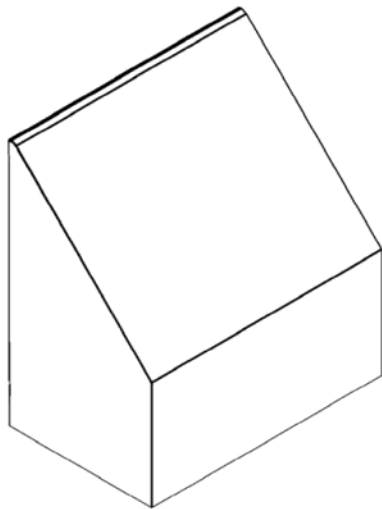
### **INSTALLING THE COVER**

STEP 7: Slide the tubing at the top of the fabric cover into the C-Channel on the top of (TB).

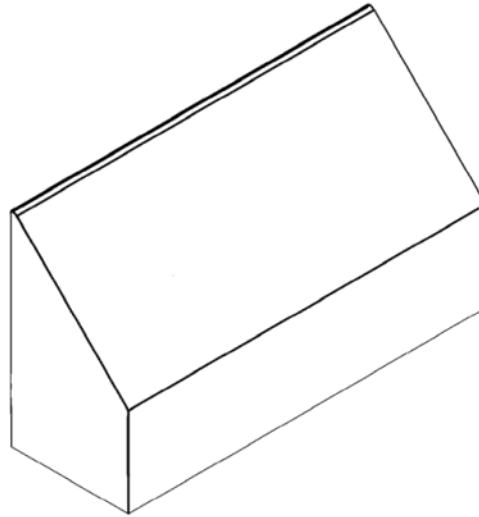


**STEP 8:** Pull the remainder of fabric over the frame with the valance hanging down below the (NC) and (FB) bars.

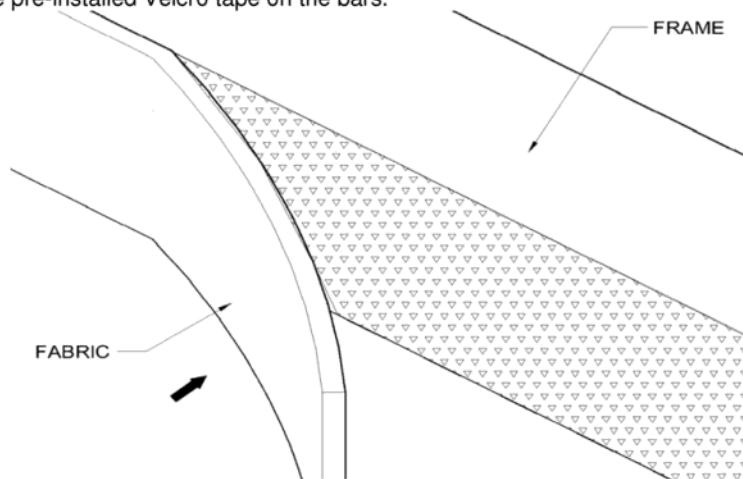
**Frame 2'-4'**



**Frame 5'-24'**



**STEP 9:** Once you are satisfied with the position of the cover, Pull the tabs snugly and attach them to the pre-installed Velcro tape on the bars.



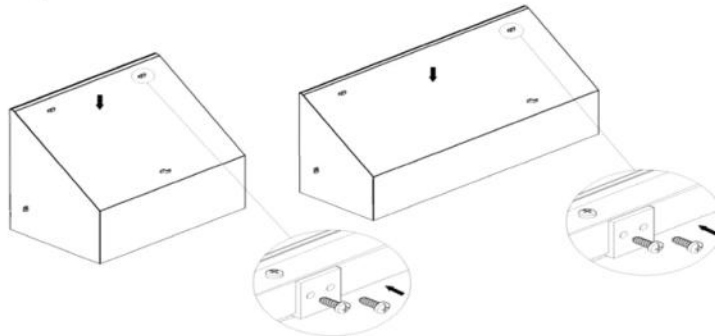
## **MOUNTING THE AWNING**

**STEP 10:** Place the awning on in desired location. From the inside of the awning make a mark on the wall where the awning touches. (see the chart below for the height measurements)

\*\*\*all the sizes are in inches

Model	Space between TB and P	Height incl valance	Projection	Model	Space between TB and P	Height incl valance	Projection
RN22	31	31	24	NY1618	22	22	18
CN32	44	44	24	NY1624	22	22	24
CN33	44	44	36	NY1630	22	22	30
CN34	44	44	48	NY1818	24	24	18
CN43	56	56	36	NY1824	24	24	24
CN44	56	50	48	NY1830	24	24	30
EN2442	24	24	42	NY2430	31	24	30
EN12	12	12	24	NY2436	31	31	36
EN1836	18	18	36	NY3024	37	37	24
EN1230	12	12	30	NY3030	37	37	30
EN1030	16	16	30	NY3036	37	37	36
EN23	24	24	36	NY3048	38	38	48
EN24	24	24	48				

**Step 11:** install the Z-Brackets, temporarily place the awning on the wall to make sure it fits prior to tightening screws.



**Step 12:** Remove the awning and tighten wall brackets.

**Step 13:** Install weather Stripping on the awning outside parameter. Place the awning back on the brackets. Drill two holes for self-tapping screws thru the (TP) use Z-Brackets for guide. Secure with self-tapping screws.