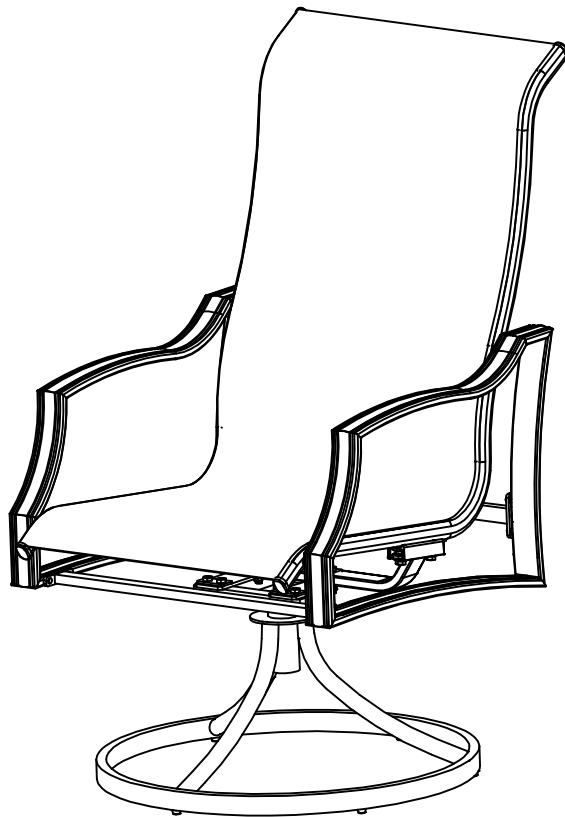




Item # 1001 414 505
Model # FCS70357S

USE AND CARE GUIDE

STATESVILLE PADDED SLING SWIVEL CHAIR 2-PK



Questions, problems, missing parts? Before returning to the store,
call Hampton Bay Customer Service.
8 a.m. - 7 p.m., EST, Monday - Friday, 9 a.m. - 6 p.m., EST, Saturday

1-855-HD-HAMPTON

HAMPTONBAY.COM

THANK YOU

We appreciate the trust and confidence you have placed in Hampton Bay through the purchase of these chairs. We strive to continually create quality products designed to enhance your home. Visit us online to see our full line of products available for your home improvement needs. Thank you for choosing Hampton Bay!

Table of Contents

Table of Contents	2	Pre-Assembly	3
Safety Information	2	Planning Assembly	3
Product Caution	2	Hardware Included	3
Safety Warnings	2	Package Contents	4
Warranty	2	Assembly	5
What is Covered	2	Care and Cleaning	10
What is Not Covered	2		

Safety Information

PRODUCT CAUTION

This chair was made for the explicit purpose of providing outdoor functions and is not to be used as a toy. This product is intended for normal outdoor use; however, the manufacturer recommends storing and / or covering this chair when any formidable / severe weather is approaching. Do not locate the product near open flames. Do not use the product as a support. Do not shake, lean or climb on the product. Children under the age of 10, near the product, should be supervised by a competent adult at all times. This product is NOT intended for commercial use and will void the warranty.

SAFETY WARNINGS



WARNING: Weight limit for the chairs is 250 lbs (113.39 kg) for each seat.



CAUTION: Do not locate the product near any heat source.



WARNING: This swivel chair unit is heavy, and may require two adults for safe assembly.



CAUTION: When not in use, secure the product in a cool and covered location.



WARNING: Do not place heavy objects on the chair.

Warranty

2 YEAR FRAME AND 2 YEAR FABRIC LIMITED WARRANTY

WHAT IS COVERED

We warrant the frames to be free of manufacturing defects to the original purchaser for two years, and a two year limited warranty for the fabric.

WHAT IS NOT COVERED

It remains the customer's responsibility for freight and packaging charges to and from our service center. This warranty does not cover commercial use, hardware, acts of nature, fire, freezing and abusive use. In addition, purchased parts are not covered under this warranty. We reserve the right to make substitutions with similar merchandise, if the model in question is no longer in production.

Contact the Customer Service Team at 1-855-HD-HAMPTON or visit www.HamptonBay.com.

Pre-Assembly

PLANNING ASSEMBLY

Read all instructions before assembly.

To avoid damaging this product, assemble it on a soft, non-abrasive surface such as carpet or cardboard.



NOTE: More than one person may be required to assemble this product.

HARDWARE INCLUDED



NOTE: Hardware not shown to actual size.



_____ AA



_____ BB



_____ CC



_____ DD

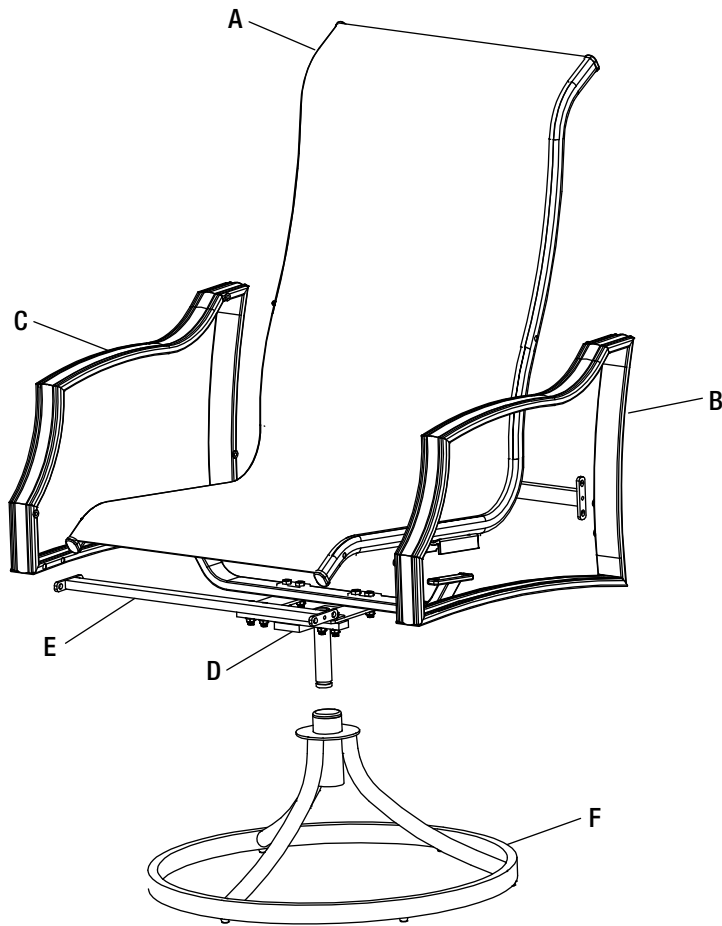


_____ EE

Part	Description	Quantity
AA	M6x30 combination bolt	8+1
BB	M6x15 combination bolt	16+1
CC	M8x20 combination bolt	8+1
DD	Hex wrench	1
EE	Wrench	1

Pre-Assembly (continued)

PACKAGE CONTENTS



Part	Description	Quantity
A	Chair bucket	2
B	Left arm	2
C	Right arm	2
D	Support bar	2
E	Connection bar	4
F	Swivel base	2

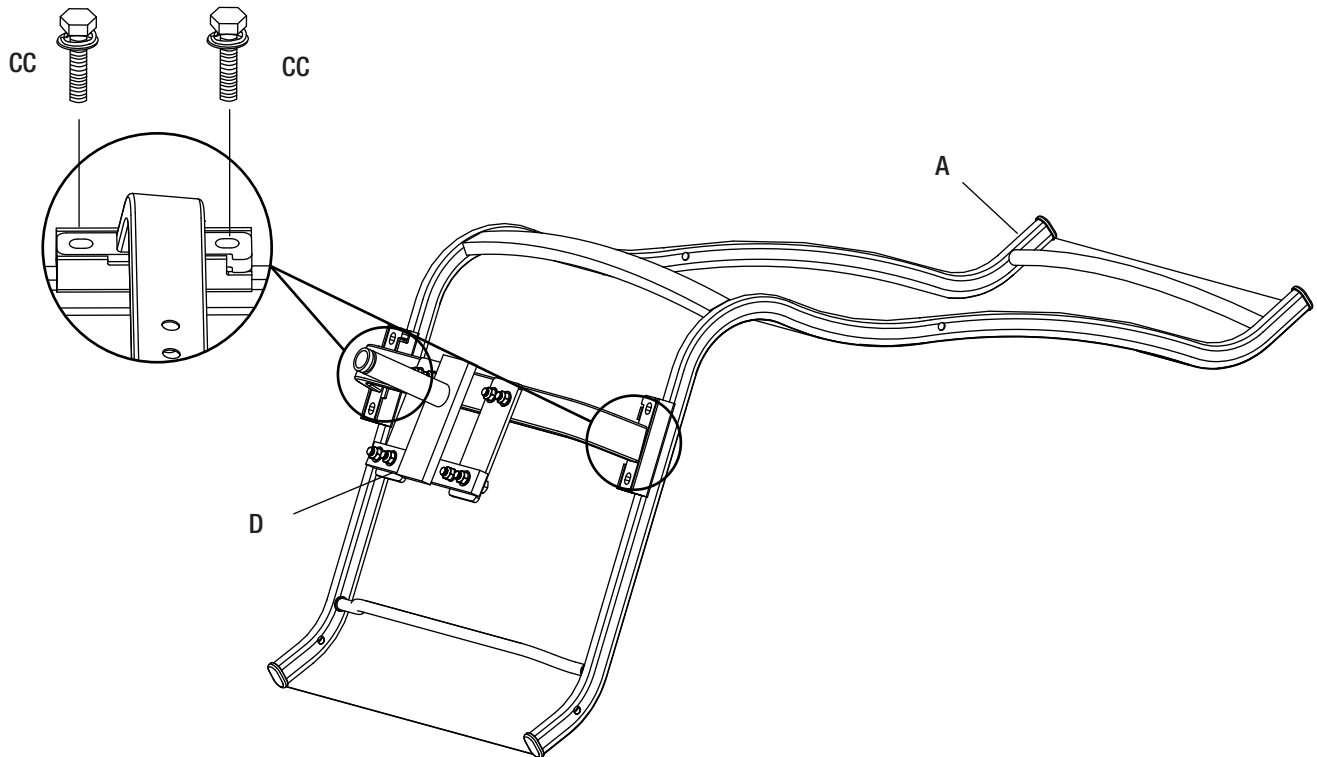
Assembly

1 Connecting the support bar to the chair bucket

- Place the chair bucket (A) upside down on a soft surface.
- Attach the support bar (D) to the chair bucket (A) using M8x20 combination bolts (CC), as shown below.



NOTE: Loosely tighten all bolts using the wrench (EE).



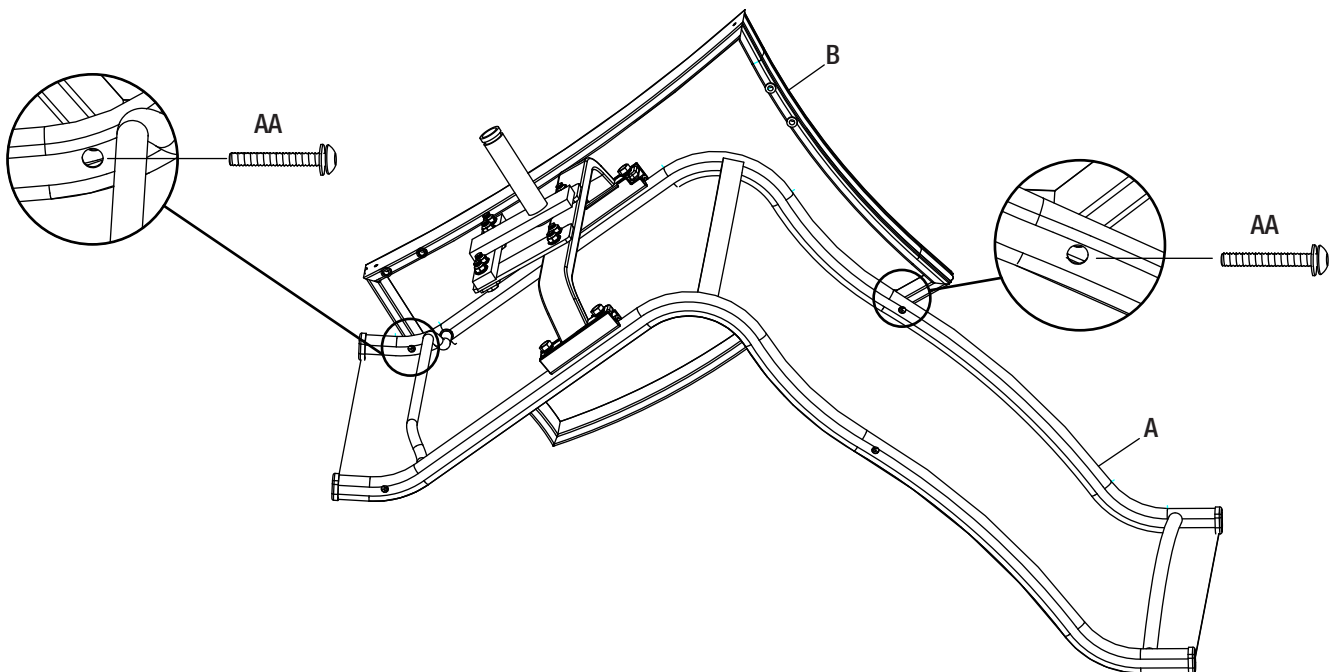
Assembly (continued)

2 Connecting the left arm to the chair bucket

- Attach the the left arm (B) to chair bucket (A) using M6x30 combination bolts (AA), as shown below.



NOTE: Loosely tighten all bolts using the hex wrench (DD).



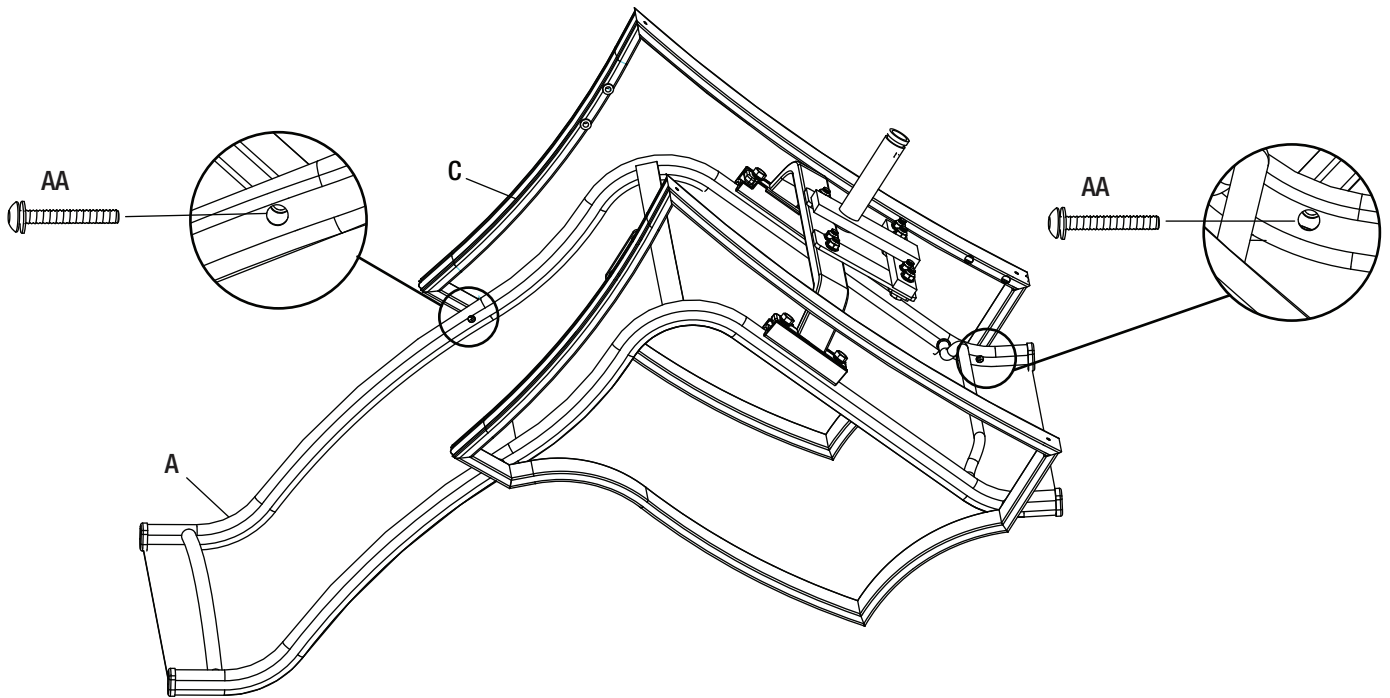
Assembly (continued)

3 Connecting the right arm to the chair bucket

- Attach the right arm (C) to the chair bucket (A) using M6x30 combination bolts (AA), as shown below.



NOTE: Loosely tighten all bolts using the hex wrench (DD).



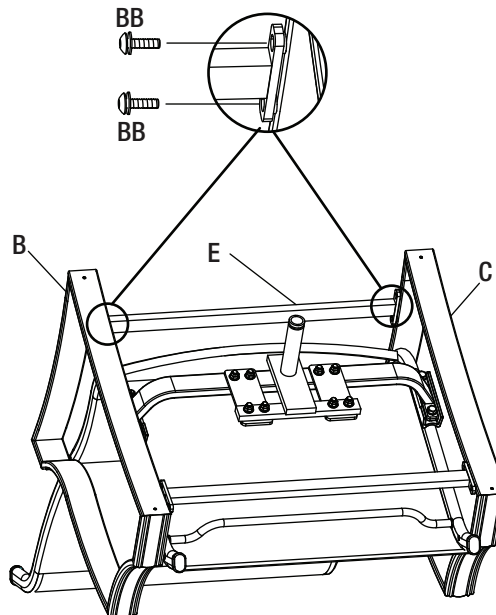
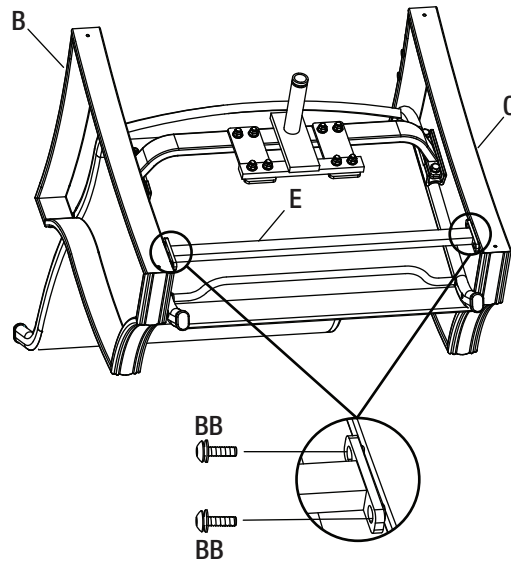
Assembly (continued)

4 Connecting the connection bars to the arms

- Attach the connection bars (E) to the left arm (B) and right arm (C) using M6x15 combination bolts (BB).



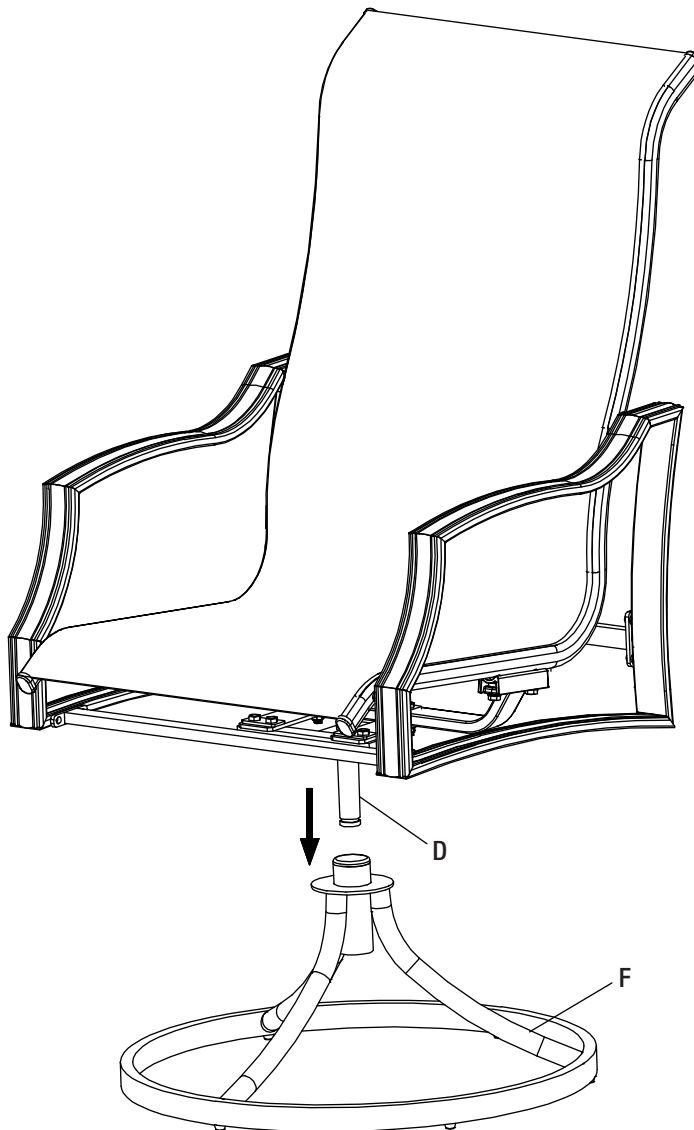
NOTE: Loosely tighten all bolts using the hex wrench (DD).



Assembly (continued)

5 Tightening all bolts and connecting the support bar to the swivel base

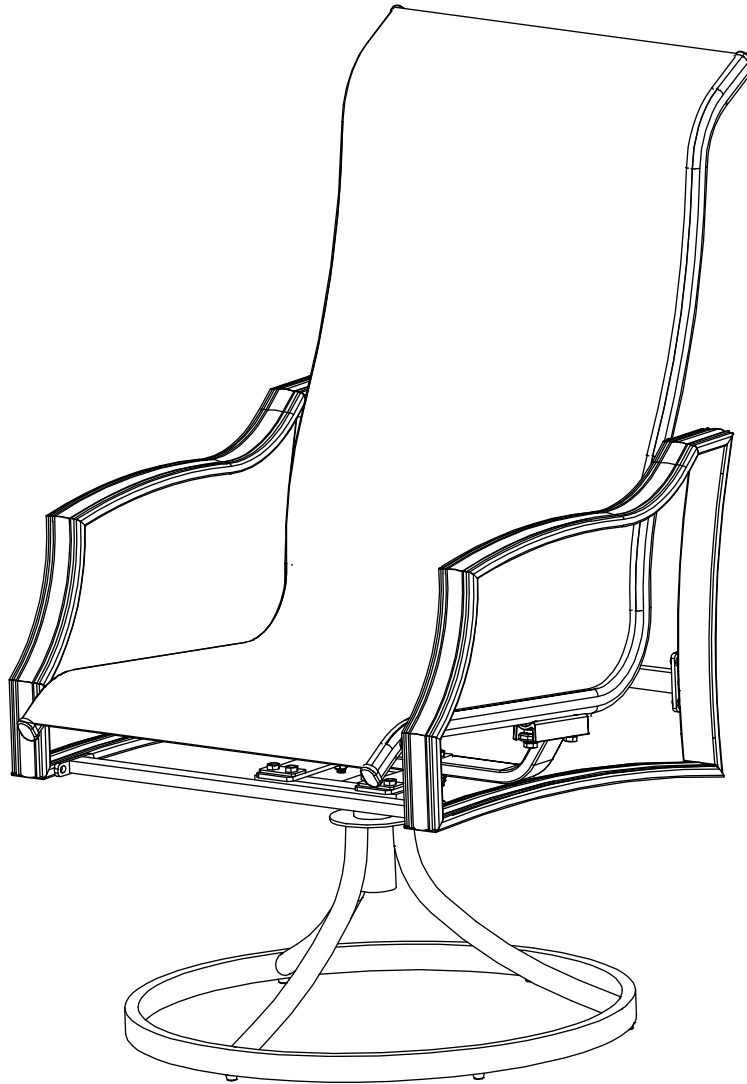
- Once all bolts are in place, fully tighten all bolts including screws preassembled by factory.
- Insert the support bar (D) into the swivel base (F).



Assembly (continued)

6 Checking the chairs

- Ensure all connections are secure before use.



Care and Cleaning

- For best results, clean the frame and fabric with a damp cloth and dry thoroughly. This will help prevent mildew by removing dirt particles that may accumulate.
- Do not clean with abrasive materials, bleach, or solvents.
- Store the chairs in a dry, sheltered place when not in use.
- Keep the chairs away from fire, extreme heat, freezing conditions, and inclement weather such as rain, hail, sleet, snow, or wind.



Questions, problems, missing parts? Before returning to the store,
call Hampton Bay Customer Service.
8 a.m. - 7 p.m., EST, Monday - Friday, 9 a.m. - 6 p.m., EST, Saturday

1-855-HD-HAMPTON

HAMPTONBAY.COM

Retain this manual for future use.