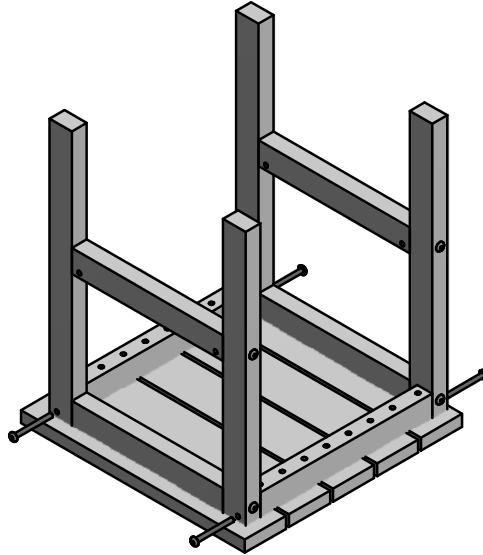
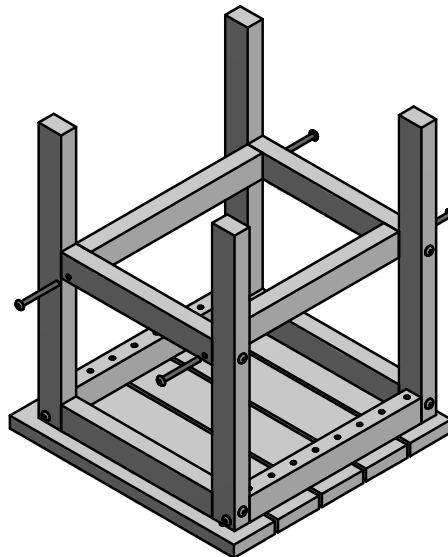




Step 1:
Lay tabletop upside down
and attach side assemblies using (4) 2- $\frac{1}{4}$ screws
Note: Do not fully tighten screws



Step 2:
Loosely attach braces using the remaining (4) 2- $\frac{1}{4}$ screws
Next, turn table upright and tighten all screws



Tools needed:
Phillips screwdriver
(8) $\frac{1}{4}$ -20 x 2- $\frac{1}{4}$ screws (included)