

OWNER'S MANUAL GCV160 • GCV190



(Appearance may differ in final application)

ENGLISH

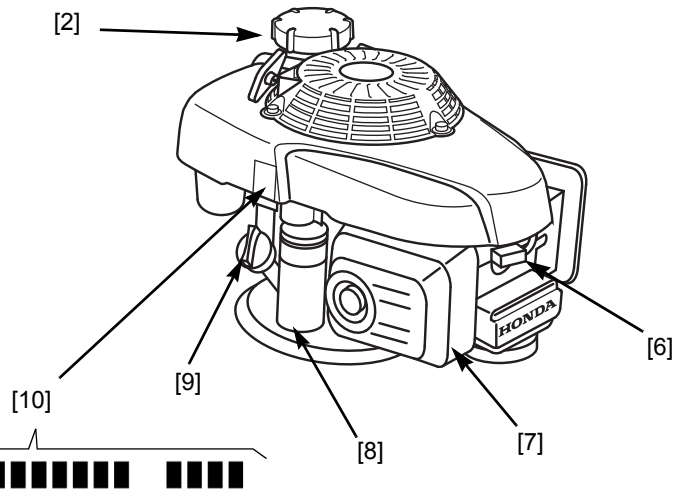
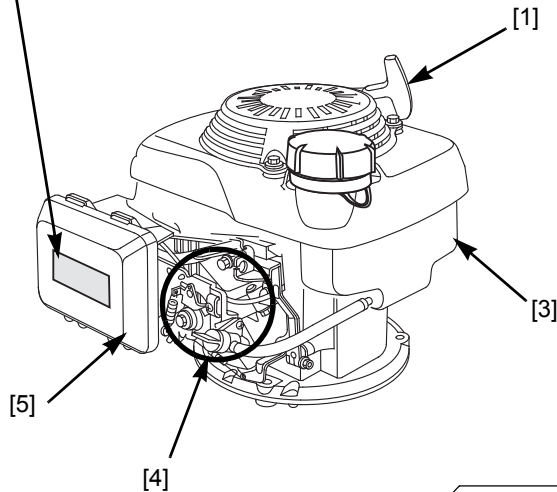
FRANÇAIS

ESPAÑOL

⚠ WARNING
Gasoline is highly flammable and explosive.
Turn engine off and let cool before refueling.
The engine emits toxic carbon monoxide.
Do not run in an enclosed area.
Read Owner's Manual before operation.
Honda Motor Co., Ltd.

⚠ WARNING ⚠
The engine exhaust from this product contains chemicals known to the State of California to cause cancer, birth defects, or other reproductive harm.

California Proposition 65
This product contains or emits chemicals known to the state of California to cause cancer, birth defects or other reproductive harm.



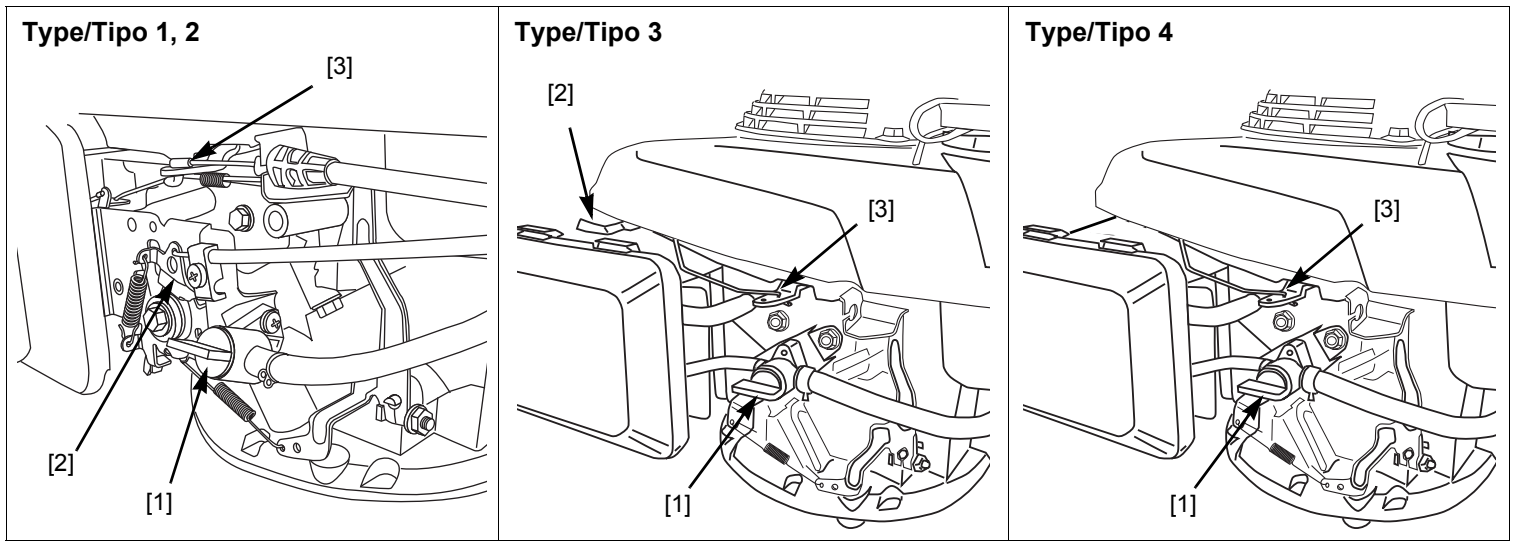
COMPONENT LOCATION

1	Starter Grip
2	Fuel Filler Cap
3	Fuel tank
4	Control location *
5	Air cleaner

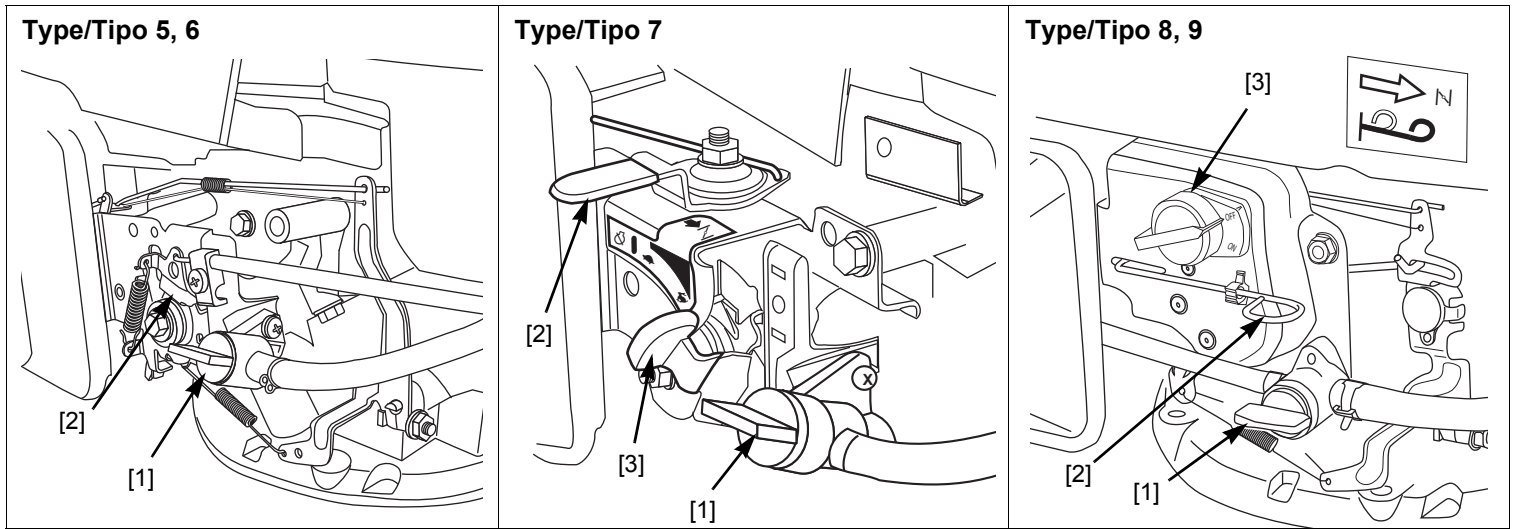
6	Spark plug
7	Muffler
8	Starter motor (if equipped)
9	Oil filler cap/dipstick
10	Engine serial number

* The engine control area differs based on the engine type. Refer to the individual figures on the following page to determine your engine control type when reading the *Operation* section and other sections in this manual.

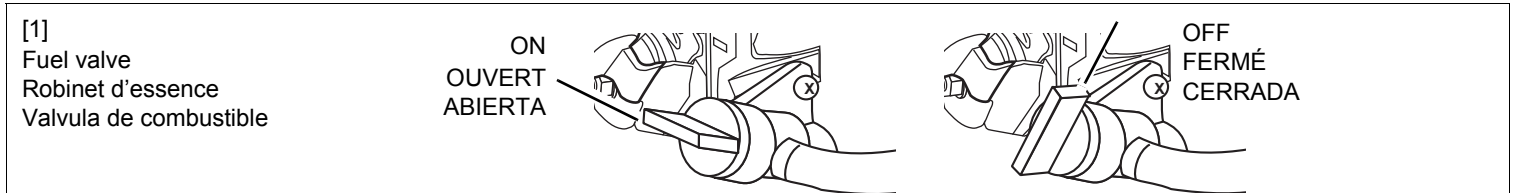




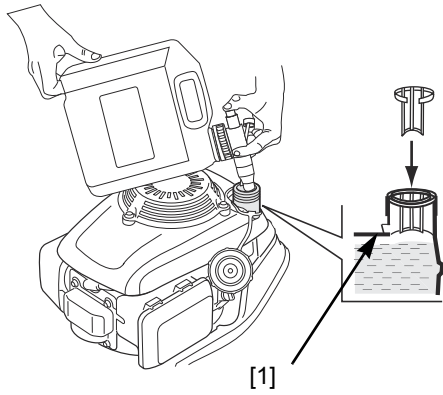
EN	[1] Fuel Valve [2] Remote Choke/Throttle [3] Flywheel Brake	EN	[1] Fuel Valve [2] Automatic Return Choke [3] Flywheel Brake, Fixed Throttle	EN	[1] Fuel Valve [3] Flywheel Brake Fixed Throttle
FR	[1] Robinet d'essence [2] Levier de Starter/Papillon [3] Frein de Volant	FR	[1] Robinet d'essence [2] Starter À Retour Automatique [3] Frein de Volant, Carburateur Préréglé	FR	[1] Robinet d'essence [3] Starter Automatique Carburateur Préréglé
ES	[1] Valvula de combustible [2] Cebador/Aceleración Remota [3] Freno del Volante	ES	[1] Valvula de combustible [2] Retorno Automático Del Cebador [3] Freno del Volante, Aceleración Fija	ES	[1] Valvula de combustible [3] Automático Cebador Aceleración Fija



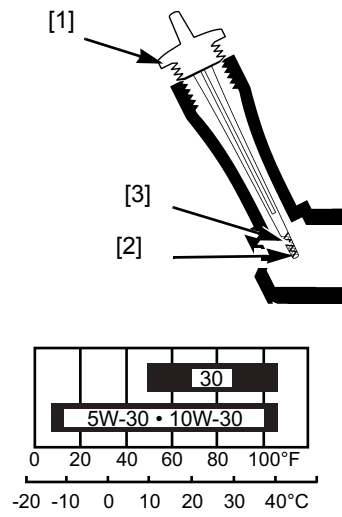
EN	[1] Fuel Valve [2] Remote Choke/Throttle Blade Brake Clutch	EN	[1] Fuel Valve [2] Manual Choke [3] Manual Throttle	EN	[1] Fuel Valve [2] Manual Choke [3] Stop Switch Fixed Throttle
FR	[1] Robinet d'essence [2] Levier de Starter/Papillon Frein-embayage À Aubes	FR	[1] Robinet d'essence [2] Starter Manuel [3] Papillon Manuel	FR	[1] Robinet d'essence [2] Starter Manuel [3] Bouton d'Arret du Moteur Carburateur Préréglé
ES	[1] Valvula de combustible [2] Cebador/Aceleración Remota Cebador/Aceleración	ES	[1] Valvula de combustible [2] Control Manual [3] Aceleración Manual	ES	[1] Valvula de combustible [2] Manual Choke [3] Interruptor de Para del Motor Aceleración Fija



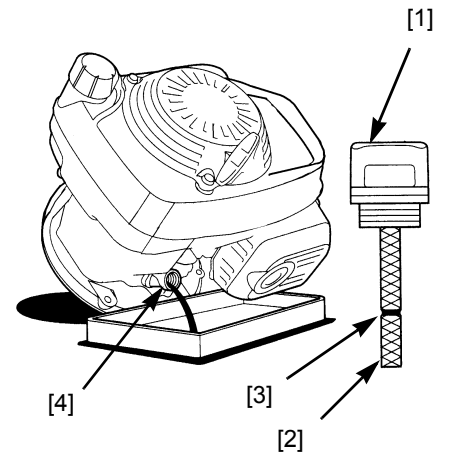
Figure/Figura 1



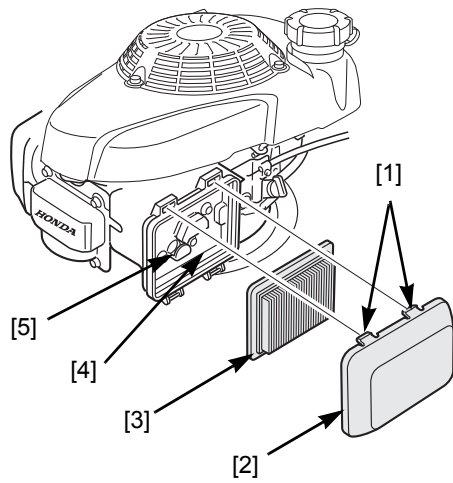
Figure/Figura 2



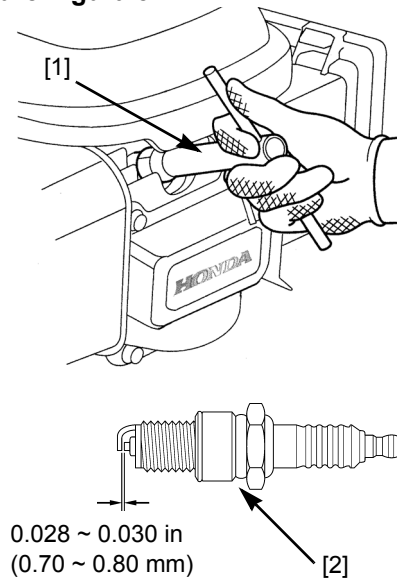
Figure/Figura 3



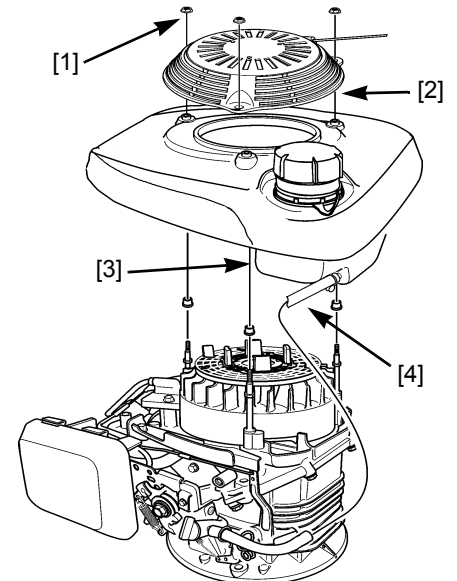
Figure/Figura 4



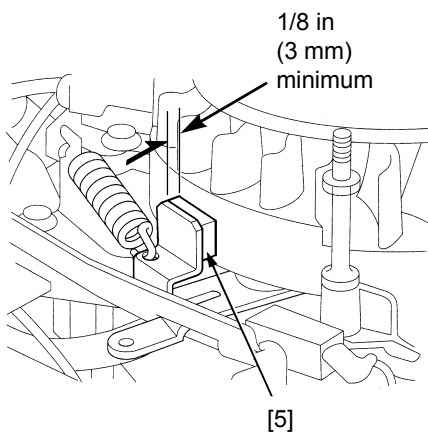
Figure/Figura 5



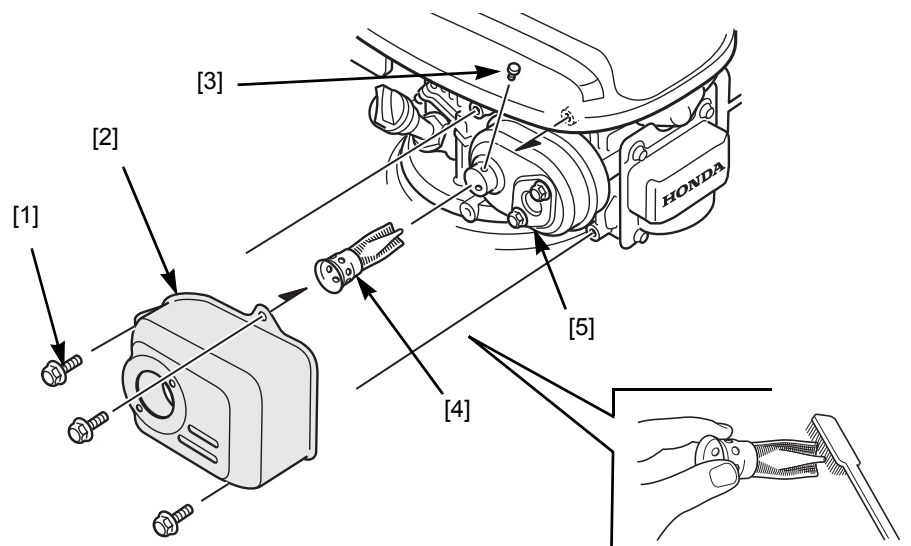
Figure/Figura 6



Figure/Figura 7



Figure/Figura 8



INTRODUCTION

Thank you for purchasing a Honda engine! We want to help you get the best results from your new engine and operate it safely. This manual contains information on how to do that; please read it carefully before operating the engine. If a problem should arise, or if you have any questions about your engine, consult an authorized Honda servicing dealer.

All information in this publication is based on the latest product information available at the time of printing. American Honda Motor Co., Inc. reserves the right to make changes at any time without notice and without incurring any obligation. No part of this publication may be reproduced without written permission.

This manual should be considered a permanent part of the engine and should remain with the engine if resold.


Review the instructions provided with the equipment powered by this engine for any additional information regarding engine startup, shutdown, operation, adjustments, or any special maintenance instructions.

CONTENTS

SAFETY MESSAGES	4
BEFORE OPERATION CHECKS	4
OPERATION	5
STARTING/STOPPING THE ENGINE (ALL TYPES)	5
SERVICING YOUR ENGINE	6
MAINTENANCE SAFETY	6
MAINTENANCE SCHEDULE	7
REFUELING	7
ENGINE OIL	7
AIR CLEANER	8
SPARK PLUG	8
FLYWHEEL BRAKE INSPECTION (if equipped)	8
SPARK ARRESTER (if equipped)	9
STORING YOUR ENGINE	9
TRANSPORTING	9
TAKING CARE OF UNEXPECTED PROBLEMS	9
TECHNICAL INFORMATION	10
CONSUMER INFORMATION	12
AVOIDING FUEL-RELATED PROBLEMS	13
DISTRIBUTOR'S LIMITED WARRANTY	14
EMISSION CONTROL SYSTEM WARRANTY	15

SAFETY MESSAGES

Your safety and the safety of others are very important. We have provided important safety messages in this manual and on the engine. Please read these messages carefully.

A safety message alerts you to potential hazards that could hurt you or others. Each safety message is preceded by a safety alert symbol  and one of three words, DANGER, WARNING, or CAUTION.

These signal words mean:

DANGER

You WILL be KILLED or SERIOUSLY HURT if you don't follow instructions.

WARNING

You CAN be KILLED or SERIOUSLY HURT if you don't follow instructions.

CAUTION

You CAN be HURT if you don't follow instructions.

Each message tells you what the hazard is, what can happen, and what you can do to avoid or reduce injury.

DAMAGE PREVENTION MESSAGES

You will also see other important messages that are preceded by the word NOTICE.

This word means:

NOTICE

Your engine or other property can be damaged if you don't follow instructions.

The purpose of these messages is to help prevent damage to your engine, other property, or the environment.

SAFETY INFORMATION

- Understand the operation of all controls and learn how to stop the engine quickly in case of emergency. Make sure the operator receives adequate instruction before operating the equipment.
- Do not allow children to operate the engine. Keep children and pets away from the area of operation.
- Your engine's exhaust contains poisonous carbon monoxide. Do not run the engine without adequate ventilation, and never run the engine indoors.
- The engine and exhaust become very hot during operation. Keep the engine at least 3 feet (1 meter) away from buildings and other equipment during operation. Keep flammable materials away, and do not place anything on the engine while it is running.

SAFETY LABEL LOCATION

The label shown on page 1 contains important safety information. Please read it carefully.

This label is considered a permanent part of your engine. So if the label comes off or becomes hard to read, contact your dealer for a replacement.

BEFORE OPERATION CHECKS

IS YOUR ENGINE READY TO GO?

For your safety, to ensure compliance with environmental regulations, and to maximize the service life of your equipment, it is very important to take a few moments before you operate the engine to check its condition. Be sure to take care of any problem you find, or have your servicing dealer correct it, before you operate the engine.

WARNING

Improperly maintaining this engine, or failing to correct a problem before operation, could cause a malfunction.

Some malfunctions can seriously hurt or kill you.

Always perform a pre-operation inspection before each operation, and correct any problem.

Before beginning your preoperation checks, be sure the engine is level and the flywheel brake lever, throttle lever, or engine stop switch is in the STOP or OFF position.

Always check the following items before you start the engine:

1. Fuel level ([page 7](#)).
2. Oil level ([page 7](#)).
3. Air cleaner ([page 8](#)).
4. General inspection: Check for fluid leaks and loose or damaged parts.
5. Check the equipment powered by this engine.

Review the instructions provided with the equipment powered by this engine for any precautions and procedures that should be followed before engine startup.

OPERATION

SAFE OPERATING PRECAUTIONS

Before operating the engine for the first time, please review the *SAFETY MESSAGES* and the *BEFORE OPERATION CHECKS* [page 4](#).

For your safety, do not operate the engine in an enclosed area such as a garage. Your engine's exhaust contains poisonous carbon monoxide gas that can collect rapidly in an enclosed area and cause illness or death.

WARNING

Exhaust contains poisonous carbon monoxide gas that can build up to dangerous levels in closed areas.

Breathing carbon monoxide can cause unconsciousness or death.

Never run the engine in a closed or even partially closed area where people may be present.

Review the instructions provided with the equipment powered by this engine for any safety precautions that should be observed with engine startup, shutdown, or operation.

Do not operate the engine on slopes greater than 20°.

STARTING/STOPPING THE ENGINE (ALL TYPES)

See the figures on page 2 to identify the type of control used on your equipment. Type specific starting and stopping information can be found after the general information shown below.

- **Fuel valve ON:** Turn the fuel valve [1] to the ON position before starting the engine.
- **Manual choke** (if equipped): Place the choke lever/rod [2] in the CHOKE position when starting a cold engine.
Move the choke lever/rod to the OFF position as soon as the engine fully warms up and runs smoothly without use of the choke, or for restarting a warm engine.
- **Engine speed:** For best engine performance, it is recommended the engine be operated with the throttle in the FAST (or high) position.
- **Starter grip:** Pull the starter grip lightly until resistance is felt, and then pull briskly.

NOTICE

Do not allow the starter grip to snap back against the engine. Return it gently to prevent damage to the starter.

To ensure easy restarting and maximum performance from the Auto Choke System™ types, allow the engine to run for at least three minutes after starting a cold engine before shutting down. This minimum run time will be longer if the temperature is below 70°F (21°C).

- **Fuel valve OFF:** After stopping the engine, turn the fuel valve [1] to the OFF position.
If your equipment will not be used for 3 to 4 weeks, we recommend running the engine's carburetor out of fuel. You can do this by leaving the fuel valve OFF, restarting the engine, and running it out of fuel. Running time should be less than 3 minutes.

Refer to the Type number for your engine, and the corresponding graphic on [page 2](#).

Type 1: Flywheel Brake, Remote Choke/Throttle

STARTING THE ENGINE

1. Move the choke/throttle lever* [2] to the CHOKE position.
2. Move the flywheel brake lever* [3] to the RUN position.
3. Pull the starter grip lightly until resistance is felt; then pull briskly.
4. Move the choke/throttle lever* [2] to the FAST position.

STOPPING THE ENGINE

1. Move the choke/throttle lever* [2] to the SLOW position.
2. Release the flywheel brake lever* [3] to stop the engine.

Type 2: Flywheel Brake, Automatic Choke, Remote Throttle

STARTING THE ENGINE

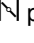
1. Move the remote throttle lever* [2] to the FAST position.
2. Move the flywheel brake lever* [3] to the RUN position.
3. Pull the starter grip lightly until resistance is felt; then pull briskly.

STOPPING THE ENGINE

1. Move the remote throttle lever* [2] to the SLOW position.
2. Release the flywheel brake lever* [3] to stop the engine.

Type 3: Flywheel Brake, Automatic Return Choke, Fixed Throttle

STARTING THE ENGINE

1. Move the automatic return choke [2] to the CHOKE  position.
The choke lever automatically returns to the OFF position 3 - 4 seconds after the flywheel brake is moved to the RUN position. Reset the choke if the engine does not start within this time frame.
2. Move the flywheel brake lever* [3] to the RUN position.
3. Pull the starter grip lightly until resistance is felt; then pull briskly.
The throttle is preset on this type.

STOPPING THE ENGINE

Release the flywheel brake lever* [3] to stop the engine.

Type 4: Flywheel Brake, Automatic Choke, Fixed Throttle

STARTING THE ENGINE

1. Move the flywheel brake lever* [3] to the RUN position.
2. Pull the starter grip lightly until resistance is felt; then pull briskly.

STOPPING THE ENGINE

Release the flywheel brake lever* [3] to stop the engine.

Type 5: Blade Brake Clutch, Remote Choke/Throttle

STARTING THE ENGINE

1. Move the choke/throttle lever* [2] to the CHOKE position.
2. Make sure the blade control lever* is released.
3. Pull the starter grip lightly until resistance is felt; then pull briskly.
4. Move the choke/throttle* [2] to the FAST position as the engine warms, and then engage the blade control lever*.

STOPPING THE ENGINE

1. Release the blade control lever*.
2. Move the choke/throttle lever* [2] to the SLOW position, and then the STOP position.

* See the equipment manual for control location.

Type 6: Blade Brake Clutch, Automatic Choke, Remote Throttle

STARTING THE ENGINE

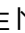

1. Move the remote throttle lever* [2] to the FAST position.
2. Make sure the blade control lever* is released.
3. Pull the starter grip lightly until resistance is felt; then pull briskly.
4. Allow the engine to warm to operating temperature, and then engage the blade control lever*.

STOPPING THE ENGINE

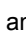

1. Release the blade control lever*.
2. Move the remote throttle lever* [2] to the SLOW position, and then to the STOP position.

Type 7: Manual Choke, Manual Throttle

STARTING THE ENGINE

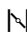
1. Move the choke lever [2] to the CHOKE  position.
2. Move the throttle control [3] to the FAST  position.
3. Pull the starter grip lightly until resistance is felt; then pull briskly.
4. Move the choke lever [2] to the OFF position as the engine warms.

STOPPING THE ENGINE

Move the throttle control [3] to the SLOW  position, and then to the STOP  position.

Type 8: Manual Choke, Engine Stop Switch, Fixed Throttle

STARTING THE ENGINE

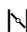
1. Pull the choke rod [2] to the CHOKE  position.
2. Turn the engine stop switch [3] to the ON position.
3. Pull the starter grip lightly until resistance is felt; then pull briskly.
The engine speed is preset on this type.
4. Move the choke rod to the OFF position as the engine warms.

STOPPING THE ENGINE

Turn the engine stop switch [3] to the OFF position.

Type 9: Manual Choke, Engine Stop Switch, Auto Throttle

STARTING THE ENGINE

1. Pull the choke rod [2] to the CHOKE  position.
2. Turn the engine stop switch [3] to the ON position.
3. Pull the starter grip lightly until resistance is felt; then pull briskly.
4. Move the choke rod [2] to the OFF position as the engine warms.
The auto throttle feature only functions when the engine is fully warm.

STOPPING THE ENGINE

1. Remove the load from the engine so that the auto throttle returns the engine to idle.
2. Turn the engine stop switch [3] to the OFF position.

* See the equipment manual for control location.

SERVICING YOUR ENGINE

THE IMPORTANCE OF MAINTENANCE

Good maintenance is essential for safe, economical, and trouble-free operation. It will also help reduce pollution.

WARNING

Improper maintenance, or failure to correct a problem before operation, can cause a malfunction.

Some malfunctions can seriously hurt or kill you.

Always follow the inspection and maintenance recommendations and schedules in this Owner's Manual.

To help you properly care for your engine, the following pages include a maintenance schedule, routine inspection procedures, and simple maintenance procedures using basic hand tools. Other service tasks that are more difficult, or require special tools, are best handled by professionals and are normally performed by a Honda technician or other qualified mechanic.

The maintenance schedule applies to normal operating conditions. If you operate your engine under severe conditions, such as sustained high-load or high-temperature operation, or use in unusually wet or dusty conditions, consult your servicing dealer for recommendations applicable to your individual needs and use.

Remember that an authorized Honda servicing dealer knows your engine best and is fully equipped to maintain and repair it.

To ensure the best quality and reliability, use only new Honda Genuine parts or their equivalents for repair and replacement.

Maintenance, replacement, or repair of the emission control devices and systems may be performed by any engine repair establishment or individual, using parts that are "certified" to EPA standards.

MAINTENANCE SAFETY

Some of the most important safety precautions follow. However, we cannot warn you of every conceivable hazard that can arise in performing maintenance. Only you can decide whether or not you should perform a given task.

WARNING

Improper maintenance can cause an unsafe condition.

Failure to properly follow maintenance instructions and precautions can cause you to be seriously hurt or killed.

Always follow the procedures and precautions in this Owner's Manual.

SAFETY PRECAUTIONS

- Make sure the engine is off before you begin any maintenance or repairs. This will eliminate several potential hazards:
 - **Carbon monoxide poisoning from engine exhaust.**
Be sure there is adequate ventilation whenever you operate the engine.
 - **Burns from hot parts.**
Let the engine and exhaust system cool before touching.
 - **Injury from moving parts.**
Do not run the engine unless instructed to do so.
- Read the instructions before you begin, and make sure you have the tools and skills required.

- To reduce the possibility of fire or explosion, be careful when working around gasoline. Use only a nonflammable solvent, not gasoline, to clean parts. Keep cigarettes, sparks, and flames away from all fuel related parts.

MAINTENANCE SCHEDULE

Perform at every indicated month/year or operating hour interval, whichever comes first. ⁽¹⁾

Regular Service Period	Item	Page
Before each use	Check: Engine oil level Check: Air filter	page 7 page 8
First month or 5 hours	Change: Engine oil	page 7
Every 3 months or 25 hours	Clean: Air filter ⁽²⁾	page 8
Every 6 months or 50 hours	Change: Engine oil ⁽³⁾ Clean: Air filter ⁽²⁾ Check: Flywheel brake pad (if equipped)	page 7 page 8 page 8
Every year or 100 hours	6 month items plus: Check-adjust: Spark plug Clean: Spark arrester (if equipped) Check: Blade brake clutch (if equipped) Check-adjust: Idle speed Clean: Fuel tank and filter Check-adjust: Valve clearance	page 8 page 9 (5) (4) (4) (4)
Every 2 years or 200 hours	Yearly items plus: Replace: Air filter Replace: Spark plug	page 8 page 8
Every 2 years	Check: Fuel lines (replace if necessary)	(4)

- (1) For commercial use, log hours of operation to determine proper maintenance intervals.
- (2) Service more frequently when used in dusty areas.
- (3) Change engine oil every 25 hours when used under heavy load or in high ambient temperatures.
- (4) These items should be serviced by an authorized Honda servicing dealer, unless you have the proper tools and are mechanically proficient. Refer to the Honda shop manual for service procedures.
- (5) See your equipment manual or Honda engine shop manual.

Failure to follow this maintenance schedule could result in non-warrantable failures.

REFUELING

This engine is certified to operate on unleaded gasoline with a:

- pump octane rating of 86 or higher
- research octane rating of 91 or higher

We recommend refueling after each use to minimize the air present in the fuel tank.

Refuel in a well-ventilated area with the engine stopped. If the engine has been running, allow it to cool first. Never refuel the engine inside a building where gasoline fumes may reach flames or sparks.

You may use regular unleaded gasoline containing no more than 10% ethanol (E10) or 5% methanol by volume. In addition, methanol must contain cosolvents and corrosion inhibitors. Use of fuels with content of ethanol or methanol greater than shown above may cause starting and/or performance problems. It may also damage metal, rubber, and

plastic parts of the fuel system. In addition, ethanol is hygroscopic, which means it attracts and retains water in the fuel system. Engine damage or performance problems that result from using a fuel with percentages of ethanol or methanol greater than shown above are not covered by warranty.

If your equipment will be used on an infrequent or intermittent basis (more than 4 weeks between usage), See **“AVOIDING FUEL-RELATED PROBLEMS”** on page 13. for additional information regarding fuel deterioration.

The **DISTRIBUTOR’S LIMITED WARRANTY** (page 12) does not cover fuel system damage or engine performance problems resulting from neglected storage preparation.

Never use stale or contaminated gasoline or oil/gasoline mixture. Avoid getting dirt or water in the fuel tank.

⚠ WARNING

Gasoline is highly flammable and explosive, and you can be burned or seriously injured when refueling.

- Stop the engine and let cool before refueling.
- Stop engine and keep heat, sparks, and flame away.
- Refuel only outdoors.
- Wipe up spills immediately.

Adding Fuel

See Figure 1, page 3.

- Remove the fuel tank cap.
- Add fuel to the bottom of the fuel level gauge [1] in the neck of the fuel tank. Do not overfill. Wipe up spilled fuel before starting the engine.
- Install the fuel tank cap and tighten it until it clicks.
Move at least 10 feet (3 meters) away from the fueling source and site before starting the engine.

NOTICE

Fuel can damage paint and some types of plastic. Be careful not to spill fuel when filling your fuel tank. Damage caused by spilled fuel is not covered under your DISTRIBUTOR’S LIMITED WARRANTY.

ENGINE OIL

Oil is a major factor affecting performance and service life. Use 4-stroke automotive detergent oil. Always change the oil in accordance with the maintenance schedule (page 7).

Recommended Oil

See Figure 2, page 3.

Use 4-stroke motor oil that meets or exceeds the requirements for API service category SJ or later. Always check the API service label on the oil container to be sure it includes the letters SJ or later.

SAE 10W-30 is recommended for general use. Other viscosities shown in the chart may be used when the average temperature in your area is within the indicated range.

Oil Level Check

See Figures 2, 3, page 3.

- Check the oil with the engine stopped and level.
- Remove the oil filler cap/dipstick [1] and wipe it clean.
- Insert the oil filler cap/dipstick into the oil filler neck as shown, but do not screw it in, and then remove it to check the oil level.

4. If the oil level is near or below the lower limit mark [2] on the dipstick, remove the oil filler cap/dipstick, and fill with the recommended oil to the upper limit mark [3]. Do not overfill.
5. Reinstall the oil filler cap/dipstick [1].

Oil Change

See Figure 3, [page 3](#).

Drain the engine oil when the engine is warm. Warm oil drains quickly and completely.

1. Turn the fuel valve to the OFF position to reduce the possibility of fuel leakage.
2. Place a suitable container next to the engine to catch the used oil.
3. Remove the oil filler cap/dipstick [1] and drain the oil into the container by tipping the engine toward the oil filler neck [4].

Please dispose of used motor oil in a manner that is compatible with the environment. We suggest you take used oil in a sealed container to your local recycling center or service station for reclamation. Do not throw it in the trash, pour it on the ground, or pour it down a drain.

4. With the engine in a level position, fill to the upper limit mark [3] on the dipstick with the recommended oil.

Refill amount: 12.0 ~ 13.5 oz (0.35 ~ 0.40 L)

Always check the oil level with the dipstick after filling.

NOTICE

Running the engine with a low oil level can cause engine damage.

5. Reinstall the oil filler cap/dipstick [1] securely.

AIR CLEANER

A properly maintained air filter will help prevent dirt from entering your engine. Dirt entering the carburetor can be drawn into small passages in the carburetor and cause premature engine wear. These small passages can become blocked, causing starting or running problems. You will need to clean the filter more frequently if you operate the engine in very dusty areas.

NOTICE

Operating the engine without a filter, or with damaged filter, will allow dirt to enter the engine, causing rapid engine wear. This type of damage is not covered under your DISTRIBUTOR'S LIMITED WARRANTY.

We recommend the use of a Honda Genuine air filter to ensure it seals and performs as designed. Using a non-Honda air filter can result in dirt bypassing the filter, causing damage to the engine or fuel system.

Inspection

See Figure 4, [page 3](#).

1. Press the latch tabs [1] on the top of the air cleaner cover [2], and remove the cover. Check the filter [3] to be sure it is clean and in good condition.
2. Reinstall the filter and air cleaner cover.

Cleaning

See Figure 4, [page 3](#).

1. Tap the filter several times on a hard surface to remove dirt, or blow compressed air not exceeding 30 psi (207 kPa) through the

filter from the clean side that faces the engine. Never try to brush off dirt. Brushing will force dirt into the fibers.

2. Wipe dirt from the air cleaner body [4] and cover using a moist rag. Be careful to prevent dirt from entering the air duct [5] that leads to the carburetor.

SPARK PLUG

See Figure 5, [page 3](#).

Required Spark Plug:

- | | |
|--------------|------------------------------|
| NGK - BPR6ES | Pressure washer applications |
| NGK - BPR5ES | All other applications |

The required spark plug is the correct heat range for normal engine operating temperatures.

NOTICE

Incorrect spark plugs can cause engine damage.

For good performance, the spark plug must be properly gapped and free of deposits.

1. Disconnect the cap from the spark plug, and remove any dirt from the spark plug area.
2. Use the proper size spark plug wrench [1] to remove the spark plug.
3. Inspect the spark plug. Replace it if damaged, badly fouled, if the sealing washer [2] is in poor condition, or if the electrode is worn.
4. Measure the electrode gap with a suitable gauge. The correct gap is 0.028 ~ 0.030 in (0.70 ~ 0.80 mm). If adjustment is needed, correct the gap by carefully bending the side electrode.
5. Install the spark plug carefully, by hand, to avoid cross-threading.
6. After the spark plug is seated, tighten with the proper size spark plug wrench to compress the washer.

When installing a new spark plug, tighten 1/2 turn after the spark plug seats to compress the washer.

When reinstalling the original spark plug, tighten 1/8 ~ 1/4 turn after the spark plug seats to compress the washer.

NOTICE

Properly tighten the spark plug. A loose spark plug can become very hot and can damage the engine. Overtightening the spark plug can damage the threads in the cylinder head.

7. Attach the spark plug cap to the spark plug.

FLYWHEEL BRAKE INSPECTION (if equipped)

See Figures 6, 7, [page 3](#).

Start the engine outdoors. Move the throttle lever to the FAST position and release the flywheel brake lever; the engine should stop quickly.

1. Remove the three flange nuts [1] from the recoil starter [2], and remove the recoil starter from the engine.
2. Remove the fuel tank [3] from the engine without disconnecting the fuel tube [4]. If the fuel tank contains fuel, keep it level as you remove it and set it beside the engine in a level position.
3. Check the brake shoe [5] thickness. If it is less than 3 mm, take the engine to your authorized Honda servicing dealer.
4. Install the fuel tank and recoil starter, and tighten the three nuts securely.

SPARK ARRESTER (if equipped)

See Figure 8, [page 3](#).

The spark arrester may be standard or an optional part, depending on the engine type. In some areas, it is illegal to operate an engine without a spark arrester. Check local laws and regulations. A spark arrester is available from authorized Honda servicing dealers.

The spark arrester must be serviced every 100 hours to keep it functioning as designed.

If the engine has been running, the muffler will be hot. Allow it to cool before servicing the spark arrester.

Removal

1. Remove the three 6 mm bolts [1] from the muffler protector [2], and remove the muffler protector.
2. Remove the special screw [3] from the spark arrester [4], and remove the spark arrester from the muffler [5].

Cleaning & Inspection

1. Use a brush to remove carbon deposits from the spark arrester screen. Be careful not to damage the screen. Replace the spark arrester if it has breaks or holes.
2. Install the spark arrester in the reverse order of removal.

STORING YOUR ENGINE

STORAGE PREPARATION

Proper storage preparation is essential for keeping your engine trouble-free and looking good. The following steps will help to keep rust and corrosion from impairing your engine's function and appearance, and will make the engine easier to start when you use it again.

Cleaning

If the engine has been running, allow it to cool for at least half an hour before cleaning. Clean all exterior surfaces, touch up any damaged paint, and coat other areas that may rust with a light film of oil.

NOTICE

Using a garden hose or pressure washing equipment can force water into the air cleaner or muffler opening. Water in the air cleaner will soak the air filter, and water that passes through the air filter or muffler can enter the cylinder, causing damage.

Fuel

See "AVOIDING FUEL-RELATED PROBLEMS" on [page 13](#) for a list of recommended procedures to avoid fuel related problems.

The *DISTRIBUTOR'S LIMITED WARRANTY* ([page 12](#)) does not cover fuel system damage or engine performance problems resulting from neglected storage preparation

Engine Oil

1. Change the engine oil (see [page 8](#)).
2. Remove the spark plug (see [page 8](#)).
3. Pour 1 - 2 teaspoons (5 ~ 10 cc) of clean engine oil into the cylinder.
4. Pull the recoil starter several times to distribute the oil.
5. Reinstall the spark plug.

Storage Precautions

If your engine will be stored with gasoline in the fuel tank, it is important to reduce the hazard of gasoline vapor ignition. Select a well-ventilated storage area away from any appliance that operates with a flame, such as a furnace, water heater, or clothes dryer. Also avoid any area with a spark-producing electric motor, or where power tools are operated.

If possible, avoid storage areas with high humidity, because that promotes rust and corrosion.

If there is gasoline in the fuel tank, leave the fuel valve in the OFF position.

Keep the engine level in storage. Tilting can cause fuel or oil leakage.

With the engine and exhaust system cool, cover the engine to keep out dust. A hot engine and exhaust system can ignite or melt some materials. Do not use sheet plastic as a dust cover. A nonporous cover will trap moisture around the engine, promoting rust and corrosion.

Removal From Storage

Check your engine as described in the *BEFORE OPERATION CHECKS* section of this manual (see [page 4](#)).

If the fuel was drained during storage preparation, fill the tank with fresh gasoline. If you keep a container of gasoline for refueling, be sure it contains only fresh gasoline. Gasoline oxidizes and deteriorates over time, causing hard starting.

If the cylinder was coated with oil during storage preparation, the engine will smoke briefly at startup. This is normal.

TRANSPORTING

Keep the engine level when transporting to reduce the possibility of fuel leakage. Turn the fuel valve to the OFF position.

Review the instructions provided with the equipment powered by this engine for any procedures that should be followed for transporting.

TAKING CARE OF UNEXPECTED PROBLEMS

Engine will not start

POSSIBLE CAUSE	CORRECTION
Fuel valve is OFF.	Move the fuel valve lever to ON.
Choke is OFF.	Unless the engine is warm, move the choke/throttle lever, choke rod, or choke lever to the CHOKE position. (if equipped)
Ignition switch or engine stop switch is OFF.	Move the flywheel brake lever to RUN position. Throttle lever to FAST position. Engine stop switch to ON.
Out of fuel.	Refuel.
Bad fuel; engine stored without treating gasoline, or refueled with bad gasoline.	Refuel with fresh gasoline.
Spark plug faulty, fouled, or improperly gapped.	Adjust or replace the spark plug (page 8).
Spark plug wet with fuel (flooded engine).	Dry and reinstall the spark plug. Start the engine with the choke/throttle lever in the FAST position. Choke in the OFF position.
Fuel filter clogged, carburetor malfunction, ignition malfunction, valves stuck, etc.	Take the engine to an authorized Honda servicing dealer or refer to the shop manual to replace or repair faulty components as necessary.

Engine lacks power

POSSIBLE CAUSE	CORRECTION
Air filter clogged.	Clean or replace the air filter (page 8).
Bad fuel; engine stored without treating the gasoline, of refueled with bad gasoline.	Refuel with fresh gasoline.
Fuel filter clogged, carburetor malfunction, ignition malfunction, valves stuck, etc.	Take the engine to an authorized Honda servicing dealer or refer to the shop manual to replace or repair faulty components as necessary.

TECHNICAL INFORMATION

Serial Number and Type Location

See Figure on page 1.

Record the engine serial number and type in the space below. You will need this information when ordering parts and when making technical or warranty inquiries.

MODEL	SERIAL NUMBER	TYPE
GCV160 or 190	_____ - _____	_____
Date of purchase	_____	

Radio Frequency Interference Label (Canada)

This engine complies with Canadian radio frequency interference regulations, ICES-002.

THIS SPARK IGNITION SYSTEM COMPLIES WITH CANADIAN ICES-002.
CE SYSTÈME D'ALLUMAGE PAR ÉTINCELLE EST CONFORME À LA NORME NMB-002 DU CANADA.

Carburetor Modifications for High Altitude Operation

At high altitude, the standard carburetor air-fuel mixture will be too rich. Performance will decrease, and fuel consumption will increase. A very rich mixture will also foul the spark plug and cause hard starting. Operation at an altitude that differs from that at which this engine was certified, for extended periods of time, may increase emissions.

High altitude performance can be improved by specific modifications to the carburetor. If you always operate your engine at altitudes above 5,000 feet (1,500 meters), have your servicing dealer perform this carburetor modification. This engine, when operated at high altitude with the carburetor modifications for high altitude use, will meet each emission standard throughout its useful life.

Even with carburetor modification, engine horsepower will decrease about 3.5% for each 1,000-foot (300-meter) increase in altitude. The effect of altitude on horsepower will be greater than this if no carburetor modification is made.

When auto throttle type engines are used in high altitude applications, the ability to idle down to 2500 rpm could be diminished. See your servicing dealer for information on adjustments if your auto throttle unit does not idle down with the load released or has trouble returning to full rpm with the load applied.

NOTICE

When the carburetor has been modified for high altitude operation, the air-fuel mixture will be too lean for low altitude use. Operation at altitudes below 5,000 feet (1,500 meters) with a modified carburetor may cause the engine to overheat and result in serious engine

damage. For use at low altitudes, have your servicing dealer return the carburetor to original factory specifications.

Emission Control System Information

Source of Emissions

The combustion process produces carbon monoxide, oxides of nitrogen, and hydrocarbons. Control of hydrocarbons and oxides of nitrogen is very important because, under certain conditions, they react to form photochemical smog when subjected to sunlight. Carbon monoxide does not react in the same way, but it is toxic.

Honda utilizes appropriate air/fuel ratios and other emissions control systems to reduce the emissions of carbon monoxide, oxides of nitrogen, and hydrocarbons. Additionally, Honda fuel systems utilize components and control technologies to reduce evaporative emissions.

The U.S. EPA, CARB, and Environment Canada

EPA, California, and Canadian emissions regulations require all manufacturers to furnish written instructions describing the operation and maintenance of emission control systems.

The following instructions and procedures must be followed in order to keep the emissions from your Honda engine within the emission standards.

Tampering and Altering

NOTICE

Tampering is a violation of Federal and California law.

Tampering with or altering the emission control system may increase emissions beyond the legal limit. Among those acts that constitute tampering are:

- Removal or alteration of any part of the intake, fuel, or exhaust systems.
- Altering or defeating the governor linkage or speed-adjusting mechanism to cause the engine to operate outside its design parameters.

Problems That May Affect Emissions

If you are aware of any of the following symptoms, have your engine inspected and repaired by your servicing dealer.

- Hard starting or stalling after starting.
- Rough idle.
- Misfiring or backfiring under load.
- Afterburning (backfiring).
- Black exhaust smoke or high fuel consumption.

Replacement Parts

The emission control systems on your Honda engine were designed, built, and certified to conform with EPA, California, and Canadian emission regulations. We recommend the use of Honda Genuine parts whenever you have maintenance done. These original-design replacement parts are manufactured to the same standards as the original parts, so you can be confident of their performance. The use of replacement parts that are not of the original design and quality may impair the effectiveness of your emission control system.

A manufacturer of an aftermarket part assumes the responsibility that the part will not adversely affect emission performance. The manufacturer or rebuilder of the part must certify that use of the part will not result in a failure of the engine to comply with emission regulations.

Maintenance

Follow the maintenance schedule on page 7. Remember that this schedule is based on the assumption that your machine will be used for its designed purpose. Sustained high-load or high-temperature operation, or use in unusually wet or dusty conditions, will require more frequent service.

Air Index

An Air Index Information hang tag/label is applied to engines certified to an emission durability time period in accordance with the requirements of the California Air Resources Board.

The bar graph is intended to provide you, our customer, the ability to compare the emissions performance of available engines. The lower the Air Index, the less pollution.

The durability description is intended to provide you with information relating the engine's emission durability period. The descriptive term indicates the useful life period for the engine's emission control system. See your **EMISSION CONTROL SYSTEM WARRANTY** (page 15) for additional information.

DESCRIPTIVE TERM	APPLICABLE TO EMISSION DURABILITY PERIOD
Moderate	50 hours (0–80 cc inclusive) 125 hours (greater than 80 cc)
Intermediate	125 hours (0–80 cc inclusive) 250 hours (greater than 80 cc)
Extended	300 hours (0–80 cc inclusive) 500 hours (greater than 80 cc) 1000 hours (225 cc and greater)

SPECIFICATIONS

GCV160

TYPE	RECOIL START	ELECTRIC START
Length x Width x Height	14.4 x 13.0 x 14.2 in (367 x 331 x 360 mm)	14.4 x 13.9 x 14.2 in (367 x 354 x 360 mm)
Dry weight ***	23.1 lb (10.5 kg)	26 lb (11.6 kg)
Engine type	4-stroke, overhead cam, single cylinder	
Displacement [Bore x Stroke]	9.8 cu in (160 cm ³) [2.5 x 2.0 in (64 x 50 mm)]	
Oil capacity	Dry engine: 16.9 oz (0.50 L) Refill amount: 12.0 ~ 13.5 oz (0.35 ~ 0.41 L)*	
Fuel tank capacity	0.25 US gal (0.93 L)	
Fuel consumption **	1.1 #/h at 3,000 rpm	
Cooling system	Forced air	
Ignition system	Transistorized magneto	
PTO shaft rotation	Counterclockwise	

GCV190

TYPE	RECOIL START	ELECTRIC START
Length x Width x Height	14.4 x 13.0 x 14.5 in (367 x 331 x 368 mm)	14.4 x 13.9 x 14.5 in (367 x 354 x 368 mm)
Dry weight ***	27.1 lb (12.3 kg)	29.3 lb (13.3 kg)
Engine type	4-stroke, overhead cam, single cylinder	
Displacement [Bore x Stroke]	11.4 cu in (187 cm ³) [2.7 x 2.0 in (69 x 50 mm)]	
Oil capacity	Dry engine: 16.9 oz (0.50 L) *Refill amount: 12.0 ~ 13.5 oz (0.35 ~ 0.41 L)	
Fuel tank capacity	0.25 US gal (0.93 L)	
Fuel consumption **	1.3 L/h at 3,000 rpm	
Cooling system	Forced air	
Ignition system	Transistorized magneto	
PTO shaft rotation	Counterclockwise	

* Actual amount will vary due to residual oil remaining in the engine. Always use the dipstick to confirm the actual level (see page 7)

** Actual consumption will vary, depending on the load applied to the engine.

*** Depending on type

Tuneup Specifications

ITEM	SPECIFICATION	PAGE
Spark plug gap	0.028 ~ 0.030 in (0.70 ~ 0.80 mm)	Refer to page 8
Idle speed	1,400 ± 150 rpm 1,700 ± 150 rpm (fixed throttle types) 2,500 ± 150 rpm (auto throttle types)	See your authorized Honda dealer.
Valve clearance (cold)	IN: 0.006 ± 0.002 in (0.15 ± 0.04 mm) EX: 0.008 ± 0.002 in (0.20 ± 0.04 mm)	

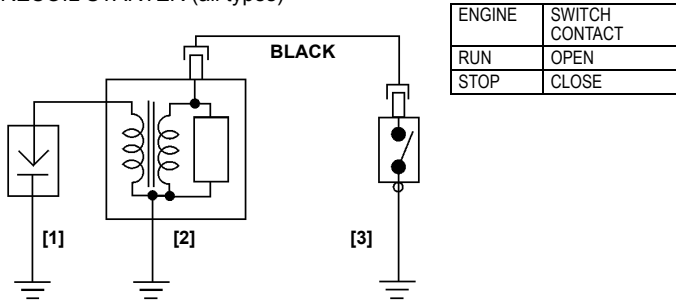
Quick Reference Information

ITEM		DESCRIPTION
Fuel	Type	Unleaded gasoline with a pump octane rating of 86 or higher (page 7).
Engine Oil	Type	SAE 10W-30, API SJ or later, for general use. Refer to page 7. * Refill amount: 12.0 ~ 13.5 oz. (0.35 ~ 0.41 L)
Spark plug	Type	BPR6ES (NGK) (pressure washer types) BPR5ES (NGK) (all other applications)
Maintenance	Before each use	Check engine oil level. Refer to page 7. Check air filter. Refer to page 8.
	First 5 hours	Change engine oil. Refer to page 8.
	Subsequent	Refer to the maintenance schedule on page 7.

* Actual amount will vary due to residual oil remaining in the engine. Always use the dipstick to confirm the actual level (see page 7)

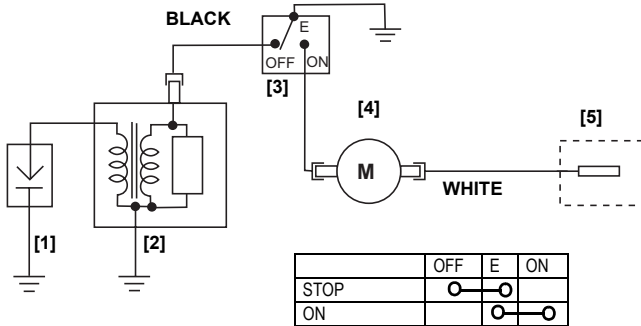
Wiring Diagrams

RECOIL STARTER (all types)

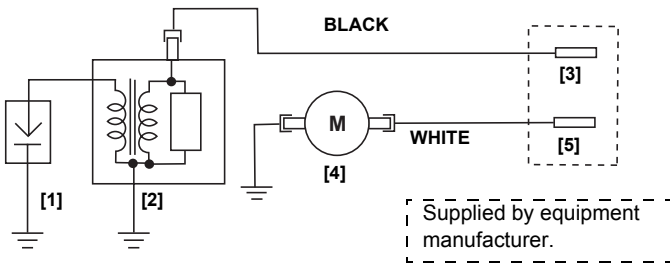


ELECTRIC STARTER
(with flywheel brake)

Supplied by equipment manufacturer.



ELECTRIC STARTER
(with blade brake clutch)



[1]	SPARK PLUG	[4]	STARTER MOTOR
[2]	IGNITION COIL	[5]	STARTER SWITCH
[3]	ENGINE STOP SWITCH		

CONSUMER INFORMATION

Distributor/Dealer Locator Information

United States, Puerto Rico, and U.S. Virgin Islands:

Visit our website: engines.honda.com

Canada:

Call (888) 9honda9 [888 946-6329]

or visit our website: honda.ca

Honda Publications

These publications will give you additional information for maintaining and repairing your engine.

Shop Manual	This manual covers complete maintenance and overhaul procedures. It is intended to be used by a skilled technician. Available through your Honda dealer or visit engines.honda.com .
Parts Catalog	This manual provides complete, illustrated parts lists. Available through your Honda dealer.

Customer Service Information

Servicing dealership personnel are trained professionals. They should be able to answer any question you may have. If you encounter a problem that your dealer does not solve to your satisfaction, please discuss it with the dealership's management. The Service Manager, General Manager, or Owner can help. Almost all problems are solved in this way.

If you are dissatisfied with the decision made by the dealership's management, contact the Honda Regional Engine Distributor for your area. You can find their name, address, and phone number using the dealer/distributor locator on our website at engines.honda.com.

If you are still dissatisfied after speaking with the Regional Engine Distributor, you may contact the Honda Office as shown below.

<Honda's Office>

When you write or call, please provide this information:

- Equipment manufacturer's name and model number that the engine is mounted on
- Engine model, serial number, and type (see [page 10](#))
- Name of dealer who sold the engine to you
- Name, address, and contact person of the dealer who services your engine
- Date of purchase
- Your name, address and telephone number
- A detailed description of the problem

United States, Puerto Rico, and U.S. Virgin Islands:

American Honda Motor Co., Inc.

Power Equipment Division

Customer Relations Dept.

4900 Marconi Drive

Alpharetta, GA 30005-8847

Or telephone: (770) 497-6400, 8:30 a.m. - 7:00 p.m. ET

Canada:

Honda Canada, Inc.

180 Honda Blvd.

Markham, ON L6C 0H9 or visit: honda.ca

Telephone: (888) 9honda9 Toll free

(888) 946-6329

Facsimile: (877) 939-0909 Toll free

DISTRIBUTOR'S WARRANTIES

The applicable warranty is the warranty policy in effect in the country where the warranty service is provided (see [page 14](#)).

AVOIDING FUEL-RELATED PROBLEMS

GCV ENGINE POWERED PRODUCTS

When properly maintained, your Honda powered product should provide years of trouble-free operation. This includes the fuel system. However, gasoline can quickly deteriorate (in as little as 30 days) causing starting or running problems and, in some cases, damage to the fuel system. Most fuel-related problems can be avoided by following the precautions listed below. Fuel system damage and engine performance problems resulting from deteriorated gasoline are not covered by the *DISTRIBUTOR'S LIMITED WARRANTY*.

Follow These Precautions to Prevent Most Fuel-Related Problems

During the Operating Season	Reason
Do not use gasoline containing more than 10% ethanol (E10). Not all automotive gasoline is safe to use in your power product.	Higher levels of ethanol in gasoline attract water, and can corrode or damage the fuel system and cause performance problems.
Store gasoline in a clean, plastic, sealed container approved for fuel storage. Store your fuel supply container away from direct sunlight; if the container has a vent, keep it closed.	A plastic container eliminates the risk of rust and metallic contaminants from a metal container entering the fuel system. Gasoline will deteriorate faster when exposed to air and sunlight.
Purchase only enough gasoline to last for 1 to 2 months (about 30 to 60 days). If you purchase enough gasoline to last for more than 60 days, add a fuel stabilizer to your storage container when you fill it.	Gasoline deteriorates with age so try to avoid storing it for long periods, especially in summer heat. Fuel stabilizer will extend the shelf life of gasoline, but it will not reconstitute stale fuel.
Keep your product's fuel tank full of fresh fuel when not in use. Turn the fuel valve OFF.	If the fuel tank is only partially filled, air in the tank will promote fuel deterioration.
Keep the air filter clean and properly serviced. Check it before each use.	A properly maintained air filter will help prevent dirt from entering the carburetor. The small passages inside the carburetor can become blocked.

3 to 4 Weeks Before Next Use	Reason
Keep your product's fuel tank full of fresh fuel when not in use. Turn the fuel valve OFF.	If the fuel tank is only partially filled, air in the tank will promote fuel deterioration.
Turn the fuel valve to the OFF position, start the engine and let it run approximately 3 minutes until the carburetor is empty and the engine stops.	The small amount of gasoline in your engine's carburetor will deteriorate faster than the fuel in the fuel tank due to its small volume and heat from the engine.

1 to 3 Months Before Next Use	Reason
If you did not add fuel stabilizer to your fuel storage container when you filled it up, fill your product's fuel tank with fresh gasoline.	If the fuel tank is only partially filled, air in the tank will promote fuel deterioration.
Add fuel stabilizer to the product's fuel tank according to the stabilizer manufacturer's instructions.	Fuel stabilizer will extend the life of gasoline, but it will not reconstitute stale gasoline.
Run the engine outdoors for 10 minutes.	This makes sure treated gasoline has replaced untreated gasoline throughout the fuel system.
Turn the fuel valve to the OFF position, start the engine, and let it run approximately 3 minutes until the carburetor is empty and the engine stops.	The small amount of gasoline in your engine's carburetor will deteriorate faster than the fuel in the fuel tank due to its small volume and heat from the engine.

More Than 3 Months Before Next Use	Reason
Start the engine and let it run long enough to empty all the gasoline from the entire fuel system, including the fuel tank. Do not allow gasoline to remain in your product's fuel tank for more than 3 months (about 90 days) of inactivity.	All fuel stabilizers have a shelf life. It is good practice to empty the fuel system for long term inactivity.

If you have fuel left in your storage container at the end of the operating season, recycle the fuel into your car's fuel tank or dispose of it properly.

DISTRIBUTOR'S LIMITED WARRANTY UNITED STATES, PUERTO RICO, OR THE U.S. VIRGIN ISLANDS

This warranty is limited to Honda general purpose engines distributed by American Honda Motor Co., Inc., Power Equipment Division, 4900 Marconi Dr, Alpharetta, GA 30005.

The following warranty applies to engines purchased at retail or placed into rental service on or after January 1, 2009.

PRODUCTS COVERED BY THIS WARRANTY:	LENGTH OF WARRANTY: (FROM DATE OF ORIGINAL PURCHASE)	
	PRIVATE/ RESIDENTIAL ⁽¹⁾	COMMERCIAL/RENTAL/ INSTITUTIONAL
GCV Series Engines	24 months	3 months ⁽²⁾

⁽¹⁾ Private Residential: Used in maintaining owner's primary and/or secondary residence. Any other use, including but not limited to informal "for hire" use, is considered commercial/rental/institutional.

⁽²⁾ Honda GCV general purpose engines are not covered by this warranty when installed on concession type vehicles.

To Qualify for this Warranty:

The Honda general purpose engine must be purchased from a Honda general purpose engine dealer or distributor authorized to sell that product in the United States, Puerto Rico, or the U.S. Virgin Islands. This limited warranty applies to first retail purchaser and each subsequent owner during the applicable warranty time period.

What American Honda Will Repair or Replace Under Warranty:

American Honda will repair or replace, at its option, any part that is proven to be defective in material or workmanship under normal use during the applicable warranty time period. Warranty repairs and replacements will be made without charge for parts or labor. Anything replaced under warranty becomes the property of American Honda Motor Company, Inc. All parts replaced under warranty will be considered as part of the original product and any warranty on those parts will expire coincident with the original product warranty.

To Obtain Warranty Service:

You must take your Honda general purpose engine, or the equipment in which it is installed, together with proof of original retail purchase date, at your expense, to a Honda engine dealer authorized to sell that product in the United States, Puerto Rico, or the U.S. Virgin Islands, during their normal business hours. To locate a dealer near you, visit our web site at engines.honda.com and click on FIND A DEALER.

If you are unable to obtain warranty service, or are dissatisfied with the warranty service you receive, take the following steps: First contact the owner of the dealership involved. Normally this should resolve the problem. However, if you should require further assistance, write or call the Power Equipment Customer Relations Department of American Honda Motor Co., Inc. listed in the adjacent column.

Exclusions:

This engine warranty does not include the following:

- Any damage or deterioration resulting from the following:
 - Neglect of the periodic maintenance as specified in the engine owner's manual
 - Improper repair or maintenance
 - Operating methods other than those indicated in the engine owner's manual
 - Damage caused by the product on which the engine is installed
 - Damage caused by conversion to, or use of, fuel other than the fuel(s) that the engine was originally manufactured to use, as set forth in the engine owner's manual and/or warranty booklet
 - The use of non-genuine Honda parts and accessories, other than those approved by Honda (other than recommended lubricants and fluids) (does not apply to the emissions warranty unless non-genuine part used is not comparable to Honda part and was cause of the failure)
 - Exposure of the product to soot and smoke, chemical agents, bird droppings, sea water, salt or other corrosive environments
 - Collision, fuel contamination or deterioration, neglect, unauthorized alteration, or misuse
 - Natural wear and tear (natural fading of painted or plated surfaces, sheet peeling and other natural deterioration)
- Consumable parts: Honda does not warrant parts deterioration due to normal wear and tear. The parts listed below are not covered by warranty (unless they are needed as a part of another warranty repair):
 - Spark plug, fuel filter, air cleaner element, clutch disc, recoil starter rope
 - Lubricant: oil and grease
- Cleaning, adjustment, and normal periodic maintenance work (carburetor cleaning and engine oil draining).
- Use of the Honda general purpose engine for racing or competition.
- Any engine that is part of a product that has ever been declared a total loss or sold for salvage by a financial institution or insurer.

Disclaimer of Consequential Damage and Limitation of Implied Warranties:

American Honda disclaims any responsibility for loss of time or use of the engine, or the equipment in which the engine is installed, transportation, commercial loss, or any other incidental or consequential damage. Any implied warranties are limited to the duration of this written limited warranty. Some states do not allow limitations on how long an implied warranty lasts and/or do not allow the exclusion or limitation of incidental or consequential damages, so the above exclusions and limitations may not apply to you.

This warranty gives you specific legal rights, and you may also have other rights, which vary from state to state.

PWL50372-P

Distributor's Warranty Canada

HONDA CANADA INC., 180 Honda Boulevard, Markham, Ontario for and on behalf of Honda Motor Co. Ltd., Tokyo, Japan, gives the following written warranty on each new General Purpose Engine manufactured by Honda Motor Co. Ltd., Japan, distributed in Canada by Honda Canada Inc. and sold as part of the original equipment of machinery or equipment when such machinery or equipment is manufactured in Canada. Whenever used herein, the word "Honda" refers to Honda Canada Inc. and/or Honda Motor Co. Ltd. as appropriate from the context.

HONDA WARRANTS THAT each new Honda General Purpose Engine will be free, under normal use and maintenance, from any defects in material or workmanship for the relevant warranty period set forth below. If any defects should be found in a Honda General Purpose Engine within the relevant warranty period, necessary repairs and replacements with a new part or the Honda equivalent shall be made at no cost to the consumer for parts and labour (except for labour charges due to the presence of an attachment), when Honda acknowledges that such defects are attributable to faulty material or workmanship at the time of manufacture.

WARRANTY PERIOD

Warranty coverage commences from the original date of sale or when the unit is first put into use as a demonstrator. The following warranty applies to General Purpose Engines purchased at retail or placed into rental service on or after August 1, 2011.

MODEL	NON-COMMERCIAL	COMMERCIAL	RENTAL	CONCESSION
GCV160 GCV190	24 months	3 months	3 months	NONE

NOTE: Concession use refers to Go Karts, etc.

THIS WARRANTY COVERS:

- Any Honda General Purpose Engine purchased from a Honda general purpose engine dealer or distributor authorized to sell that product in Canada.
- Any factory installed part (except normal maintenance parts referred to in "THIS WARRANTY DOES NOT COVER"); and
- Any General Purpose Engine on which required maintenance services have been performed as prescribed in the Owner's Manual.

THIS WARRANTY DOES NOT INCLUDE THE FOLLOWING:

- Any damage or deterioration resulting from the following:
 - Neglect of the periodic maintenance as specified in the engine owner's manual
 - Improper repair or maintenance
 - Operating methods other than those indicated in the engine owner's manual
 - Damage caused by the product on which the engine is installed
 - Damage caused by conversion to, or use of, fuel other than the fuel(s) that the engine was originally manufactured to use, as set forth in the engine owner's manual and/or warranty booklet
 - The use of non-genuine Honda parts and accessories, other than those approved by Honda (other than recommended lubricants and fluids) (does not apply to the emissions warranty unless non-genuine part used is not comparable to Honda part and was cause of the failure)
 - Exposure of the product to soot and smoke, chemical agents, bird droppings, sea water, salt or other corrosive environments
 - Collision, fuel contamination or deterioration, neglect, unauthorized alteration, or misuse
 - Natural wear and tear (natural fading of painted or plated surfaces, sheet peeling and other natural deterioration)
- Consumable parts: Honda does not warrant parts deterioration due to normal wear and tear. The parts listed below are not covered by warranty (unless they are needed as a part of another warranty repair):
 - Spark plug, fuel filter, air cleaner element, clutch disc, recoil starter rope
 - Lubricant: oil and grease
- Cleaning, adjustment, and normal periodic maintenance work (carburetor cleaning and engine oil draining).
- Use of the Honda general purpose engine for racing or competition.
- Any engine that is part of a product that has ever been declared a total loss or sold for salvage by a financial institution or insurer.

THE OWNER'S OBLIGATION

In order to maintain the validity of this *DISTRIBUTOR'S WARRANTY*, the required maintenance services as set forth in the Owner's Manual must be performed at the proper intervals and detailed receipts and records retained as proof.

TO OBTAIN WARRANTY SERVICE

You must take your Honda General Purpose Engine, at your expense, during normal service hours, to the authorized Honda Power Products dealer or the dealer designated by the manufacturer of the machinery or equipment powered by the Honda engine. If you are unable to obtain or are dissatisfied with the warranty service you receive, first contact the owner of the dealership involved; this should resolve the problem. If you require further assistance, contact Honda Canada Inc., at the address shown under *Customer Service Information* (page 12).

REPLACEMENT PARTS WARRANTY

New Honda Genuine replacement parts sold to a consumer or installed by an authorized Honda power equipment dealer which are not covered by the *DISTRIBUTOR'S WARRANTY* are warranted for a period of one year from date of purchase for normal use, or 3 months for rental or concession use provided, however, that this Replacement Parts Warranty does not apply to any replacement parts modified, used with, or installed on a power product for which the replacement parts were not intended. Electrical components that are not installed by the dealer (sold over the counter) are not covered by warranty.

ENTIRE WRITTEN WARRANTY

This DISTRIBUTOR'S WARRANTY is the only and the entire written warranty given by Honda for Honda General Purpose Engines. No dealer or his agent or employee is authorized to extend or enlarge on these warranties on behalf of Honda by any written or verbal statement or advertisement.

DISCLAIMER

To the extent the law permits, Honda disclaims any responsibility for loss of time or use of the General Purpose Engine, transportation or towing costs or any other indirect, incidental or consequential damage, inconvenience or commercial loss.

NOTICE TO CONSUMER

The provisions contained in these written warranties are not intended to limit, modify, take away from, disclaim or exclude any warranties set forth in or the operation of The Consumer Products Warranties Act, 1977 (Saskatchewan), The Consumer Product Warranty and Liability Act (New Brunswick), The Consumer Protection Act (Quebec), or any other similar provincial or federal legislation.

PRIVACY STATEMENT

The owner information submitted may be used by Honda and its related companies, their dealers and service providers to communicate marketing, product and service information to you. If you prefer not to receive marketing information, please contact us at 1-888-946-6329.

International Warranty

See last pages.

EMISSION CONTROL SYSTEM WARRANTY

Your new Honda Power Equipment engine complies with the U.S. EPA, Environment Canada, and State of California emission regulations (models certified for sale in California only). American Honda Motor Co., Inc. provides the emission warranty coverage for engines in the United States and its territories. Honda Canada Inc. provides the emission warranty for engines in the 13 provinces and territories of Canada. In the remainder of this Emission Control System Warranty, American Honda Motor Company Inc. and Honda Canada Inc. will be referred to as Honda.

YOUR WARRANTY RIGHTS AND OBLIGATIONS:

CALIFORNIA

The California Air Resources Board and Honda are pleased to explain the emission control system warranty on your 2017 and later Honda Power Equipment engine. In California, new spark-ignited small off-road equipment engines must be designed, built, and equipped to meet the State's stringent anti-smog standards.

OTHER STATES, U.S. TERRITORIES, AND CANADA

In other areas of the United States and in Canada, your engine must be designed, built, and equipped to meet the U.S. EPA and Environment Canada emission standards for spark-ignited engines at or below 19 kilowatts. Specific Honda products that do not meet the California emissions regulations can be identified by a "Not for sale in California" decal.

ALL OF THE UNITED STATES AND CANADA

Honda must warrant the emission control system on your power equipment engine for the period of time listed below, provided there has been no abuse, neglect, or improper maintenance of your power equipment engine. Where a warrantable condition exists, Honda will repair your power equipment engine at no cost to you including diagnosis, parts, and labor.

Your emission control system may include such parts as the carburetor or fuel injection system, the ignition system, and catalytic converter. Also included may be hoses, connectors, and other emission-related assemblies. (See adjacent table for additional covered parts).

OWNER'S WARRANTY RESPONSIBILITY:

As the power equipment engine owner, you are responsible for the performance of the required maintenance listed in your owner's manual. Honda recommends that you retain all receipts covering maintenance on your power equipment engine, but Honda cannot deny warranty coverage solely for the lack of receipts or for your failure to ensure the performance of all scheduled maintenance.

As the power equipment engine owner, you should however be aware Honda may deny you warranty coverage if your power equipment engine or a part has failed due to abuse, neglect, improper maintenance, or unapproved modifications.

You are responsible for presenting your power equipment engine to a Honda Power Equipment dealer as soon as a problem exists. The warranty repairs should be completed in a reasonable amount of time, not to exceed 30 days.

If you have any questions regarding your emissions warranty rights and responsibilities, you should contact the Honda Office in your region:

American Honda Motor Co., Inc. Honda Canada Inc.
Power Equipment Customer 180 Honda Blvd. Markham,
Relations or ON, L6C, 0H9
4900 Marconi Drive Telephone: (888) 946-6329
Alpharetta, Georgia 30005-8847
Telephone: (888) 888-3139
Email: powerequipmentemissions
@ahm.honda.com

WARRANTY COVERAGE:

Honda power equipment engines sold in the United States and Canada are covered by this warranty for a period of two years from the date of delivery to the original retail purchaser or the length of the Honda Distributor's Limited Warranty, whichever is longer. This warranty is transferable to each subsequent purchaser for the duration of the warranty period.

If any emission-related part on your engine is defective, the part will be repaired or replaced by Honda without charge for diagnosis, parts, or labor. All defective parts replaced under this warranty become the property of Honda. A list of warranted parts is in the adjacent column. Normal maintenance items, such as spark plugs and filters, that are on the warranted parts list are warranted up to their required replacement interval only.

Honda will also replace other engine components damaged by a failure of any warranted part during the warranty period.

Only Honda approved replacement parts may be used in the performance of any warranty repairs and must be provided without charge to the owner. The use of replacement parts not equivalent to the original parts may impair the effectiveness of your engine emission control system. If such a replacement part is used in the repair or maintenance of your engine, and an authorized Honda dealer determines it is defective or causes a failure of a warranted part, your claim for repair of your engine may be denied. If the part in question is not related to the reason your engine requires repair, your claim will not be denied.

TO OBTAIN WARRANTY SERVICE:

You must, at your own expense, take your Honda Power Equipment engine or the product on which it is installed, along with your sales registration card or other proof of original purchase date, to any Honda Power Equipment dealer who is authorized by Honda to sell and service that Honda product during his normal business hours. Claims for repair or adjustment found to be caused solely by defects in material or workmanship will not be denied because the engine was not properly maintained and used.

If you are unable to obtain emission warranty service or are dissatisfied with the warranty service you received, contact the owner of the dealership involved. Normally this should resolve your problem. However, if you require further assistance, contact the Honda office in your region. Refer to adjacent column for contact information.

EXCLUSIONS:

Failures other than those resulting from defects in material or workmanship are not covered by this warranty. This warranty does not extend to emission control systems or parts that are affected or damaged by owner abuse, neglect, improper maintenance, misuse, misfueling, improper storage, collision, the incorporation of, or use of, unsuitable attachments, or the unauthorized alteration of any part.

This warranty does not cover replacement of expendable maintenance items made in connection with required maintenance service after the item's first scheduled replacement as listed in the maintenance section of the product Owner's Manual, such as: spark plugs and filters.

DISCLAIMER OF CONSEQUENTIAL DAMAGE AND LIMITATION OF IMPLIED WARRANTIES:

American Honda Motor Co., Inc. and Honda Canada disclaim any responsibility for incidental or consequential damages such as loss of time or the use of the power equipment, or any commercial loss due to the failure of the equipment; and any implied warranties are limited to the duration of this written warranty. This warranty is applicable only where the California, U.S. EPA or Environment Canada emission control system warranty regulation is in effect.

EMISSION CONTROL SYSTEM WARRANTY PARTS:

SYSTEMS COVERED BY THIS WARRANTY:	PARTS DESCRIPTION:
Fuel Metering	Carburetor assembly (includes starting enrichment system), Oxygen sensor, Throttle body, Engine temperature sensor, Engine control module, Fuel injector, Fuel regulator, Intake manifold
Evaporative	Fuel tank, Fuel cap, Fuel hoses, Vapor hoses, Carbon canister, Canister mounting brackets, Fuel strainer, Fuel valve, Fuel pump, Fuel hose joint, Canister purge hose joint
Exhaust	Catalyst, Exhaust pipe, Muffler (with catalyst)
Air Induction	Air cleaner case, Air cleaner element*
Ignition	Flywheel comp., Flywheel magneto, Ignition pulse generator, Crankshaft position sensor, Power coil, Ignition coil assembly, Ignition control module, Spark plug cap, Spark plug*
Crankcase Emission Control	Crankcase breather tube, Breather valve assembly, Oil filler cap
Miscellaneous Parts	Tubing, fittings, seals, gaskets, and clamps associated with these listed systems

Note: This list applies to parts supplied by Honda and does not cover parts supplied by the equipment manufacturer. Please see the original equipment manufacturer's emissions warranty for non-Honda parts.

* Covered up to the first required replacement only. See the *MAINTENANCE SCHEDULE* on page 7.

PWL50975-R

MANUEL DE L'UTILISATEUR GCV160 • GCV190



(Apparence peut varier dans l'application finale)

⚠ ATTENTION

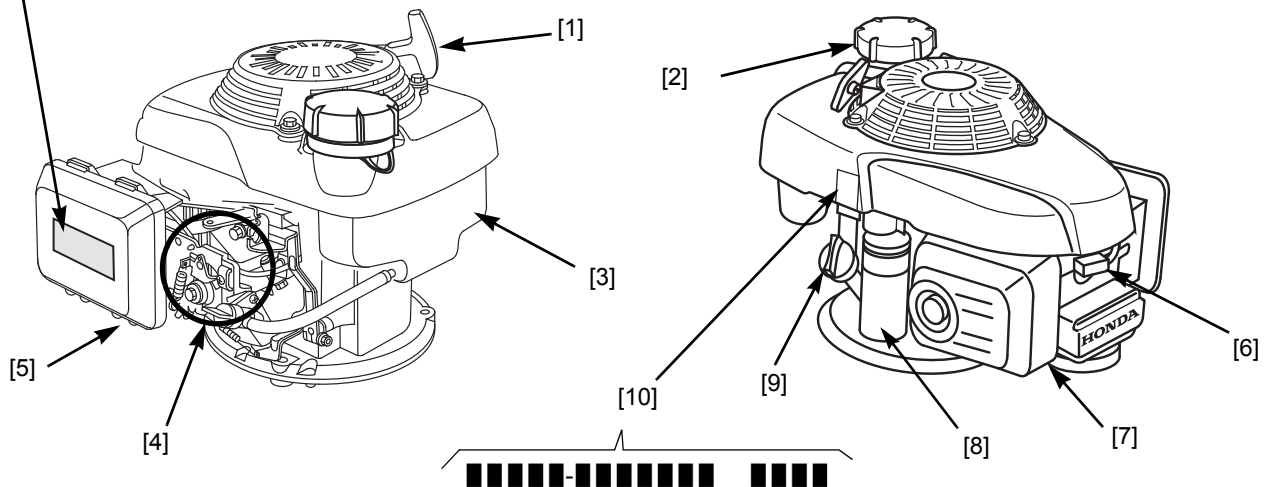
L'essence est très inflammable et explosive.
Arrêter le moteur et le laisser refroidir avant de faire le plein d'essence.
Le moteur produit les vapeurs nocives de monoxyde de carbone.
Ne pas utiliser dans un local clos.
Lire le manuel de propriétaire avant l'utilisation.
Honda Motor Co., Ltd.

⚠ AVERTISSEMENT: ⚠

Les gaz d'échappement du moteur contiennent des produits chimiques reconnus par l'État de la Californie comme pouvant entraîner le cancer, des malformations à la naissance et autres dangers liés à la reproduction.

Proposition 65 de la Californie

Ce produit contient ou émet un produit chimique reconnu dans l'État de la Californie comme la cause de cancer, d'anomalies congénitales ou d'autres problèmes liés à la reproduction.



DES COMPOSANTS ET DES COMMANDES

1	Poignée du démarreur
2	Bouchon du réservoir d'essence
3	Réservoir d'essence
4	Zone de commande moteur *
5	Filtre à air

6	Bougie
7	Silencieux
8	Démarreur (types applicables)
9	Bouchon-jauge d'huile
10	Numéro de série du moteur

* Les commandes dépendent du type de moteur. Se reporter aux schémas individuels sur page 2 pour déterminer quel type de commande moteur considérer lors de la lecture de la section *Fonctionnement* et d'autres sections de ce manuel.

INTRODUCTION

Merci d'avoir acheté un moteur Honda. Ce manuel vous aidera à obtenir les meilleurs résultats de votre nouveau moteur et à l'utiliser sans danger. Il contient tous les renseignements nécessaires ; veuillez le lire attentivement avant de faire fonctionner le moteur. En cas de problème ou pour toute question concernant votre moteur, veuillez consulter un concessionnaire Honda.

Toute l'information contenue dans ce document est basée sur les données les plus récentes au moment de l'impression. American Honda Motor Co., Inc. se réserve le droit d'apporter des modifications à tout moment sans préavis ni obligation. Toute reproduction, même partielle, de ce document est interdite sans autorisation écrite.

Ce manuel fait partie intégrante du moteur et doit l'accompagner en cas de revente.


Pour tout renseignement supplémentaire concernant le démarrage, l'arrêt, le fonctionnement, les réglages ou toute opération d'entretien particulière du moteur, veuillez consulter les instructions fournies avec le matériel entraîné par ce moteur.

TABLE DES MATIÈRES

MESSAGES DE SÉCURITÉ	18
CONTRÔLES AVANT UTILISATION	18
FONCTIONNEMENT	19
DÉMARRAGE/ARRÊT DU MOTEUR (TOUS LES TYPES)	19
ENTRETIEN DU MOTEUR	20
MESURES DE PRÉCAUTION	20
CALENDRIER D'ENTRETIEN	21
REPLISSAGE DU RÉSERVOIR D'ESSENCE	21
HUILE MOTEUR	22
FILTRE À AIR	22
BOUGIE	22
CONTRÔLE DU FREIN DE VOLANT (types applicables)	23
PARE-ÉTINCELLES (types applicables)	23
STOCKAGE DU MOTEUR	23
TRANSPORT	24
RÉGLER DES PROBLÈMES IMPRÉVUS	24
INFORMATIONS TECHNIQUES	24
ENTRETIEN DU SYSTÈME D'ALIMENTATION	27
INFORMATION DU CONSOMMATEUR	28
GARANTIE DU DISTRIBUTEUR	28

MESSAGES DE SÉCURITÉ

Votre sécurité et celle des autres est très importante. Vous trouverez des messages de sécurité importants dans ce manuel et sur le moteur. Veuillez les lire avec attention.

Les messages de sécurité vous mettent en garde contre les dangers présentés par le moteur. Chacun de ces messages est précédé du symbole de mise en garde  et de l'intitulé DANGER, AVERTISSEMENT ou ATTENTION.

Ces intitulés signifient :

 **DANGER**

Vous SEREZ TUE ou GRAVEMENT BLESSE si vous ne respectez pas ces instructions.

 **AVERTISSEMENT**

Vous RISQUEZ d'être TUE ou GRAVEMENT BLESSE si vous ne respectez pas ces instructions.

 **ATTENTION**

Vous RISQUEZ d'être BLESSE si vous ne respectez pas ces instructions.

Chaque message indique quel est le danger, ce qui peut se produire et ce qui peut être fait pour éliminer ou réduire le risque d blessures.

MESSAGES DE PRÉVENTION DES DOMMAGES

Vous rencontrerez également d'autres messages importants précédés de l'intitulé AVIS.

Ce terme signifie :

AVIS

Risque de dommages matériels du moteur et autres si les instructions ne sont pas respectées.

L'objet de ces messages est d'écarter les risques de dommages du moteur, d'autres matériels et pour l'environnement.

INFORMATION CONCERNANT LA SÉCURITÉ

- Veuillez à comprendre le fonctionnement de toutes les commandes et à apprendre comment éteindre le moteur rapidement en cas d'urgence. Assurez-vous que le conducteur reçoive les instructions nécessaires avant d'utiliser le matériel.
- Ne pas autoriser des enfants à utiliser le moteur. Eloigner les enfants et les animaux de la zone d'utilisation.
- Les gaz d'échappement du moteur contiennent du monoxyde de carbone toxique. Ne faites pas fonctionner le moteur sans ventilation appropriée et jamais à l'intérieur.
- Le moteur et son échappement sont très chauds durant la marche. Maintenez le moteur à 1 mètre minimum des bâtiments et autres équipements durant la marche. Tenez les matières inflammables à l'écart et ne placez rien sur le moteur durant la marche.

EMPLACEMENT DE L'ÉTIQUETTE DE SÉCURITÉ

Cette étiquette met en garde contre les risques potentiels de blessures graves. La lire attentivement. Voir page 1.

Si l'étiquette se décolle ou devient illisible, s'adresser au concessionnaire d'entretien Honda pour son remplacement.

CONTRÔLES AVANT UTILISATION

LE MOTEUR EST-IL PRÊT À FONCTIONNER ?

Pour des raisons de sécurité, pour assurer la conformité avec la réglementation environnementale, et pour assurer une durée de service optimale du matériel, il est très important de consacrer quelques instants au contrôle de l'état du moteur avant de l'utiliser. Veiller à régler tout problème identifié, ou à le faire corriger par un réparateur, avant de faire fonctionner le moteur.

AVERTISSEMENT

Un entretien inadéquat du moteur ou l'existence de problèmes non résolus avant la mise en marche peuvent entraîner un mauvais fonctionnement pouvant présenter un danger de blessure grave ou de mort.

Toujours effectuer un contrôle préalablement à chaque utilisation et corriger tout problème éventuel.

Avant de débiter les contrôles, s'assurer que le moteur est horizontal et que le levier du frein de volant levier de papillon, bouton d'arrêt du moteur est en position STOP ou ARRÊT.

Toujours effectuer les contrôles suivants avant de démarrer le moteur :

1. Niveau d'essence (voir [page 21](#)).
2. Niveau d'huile (voir [page 22](#)).
3. Filtre à air (voir [page 22](#)).
4. Contrôle général : Vérifier l'absence de fuites et le bon serrage et l'état des pièces.
5. Contrôler le matériel entraîné par le moteur.

Respecter toutes les précaution et procédures à suivre avant le démarrage du moteur figurant dans le mode d'emploi du matériel entraîné par le moteur.

FONCTIONNEMENT

MESURES DE PRÉCAUTION

Avant de mettre le moteur en marche pour la première fois, consulter la section *MESSAGES DE SÉCURITÉ* et *CONTRÔLES AVANT UTILISATION* à la [page 18](#).

Par mesure de sécurité, ne pas faire fonctionner le moteur à essence dans un endroit clos comme un garage. L'échappement du moteur contient du monoxyde de carbone, un gaz toxique qui peut s'accumuler rapidement dans un endroit clos et causer des blessures ou la mort.

⚠ AVERTISSEMENT

Les gaz d'échappement contiennent du monoxyde de carbone, un gaz toxique qui peut s'accumuler jusqu'à devenir dangereux dans les endroits clos. L'inhalation de monoxyde de carbone peut provoquer des pertes de conscience et peut être mortelle. Ne jamais faire fonctionner le moteur dans un endroit clos ou ne serait-ce qu'en partie clos dans lequel des personnes sont susceptibles d'être présentes.

Respecter toutes les mesures de précaution indiquées dans le mode d'emploi du matériel entraîné concernant le démarrage, l'arrêt et le fonctionnement du moteur.

Ne pas faire fonctionner le moteur sur des pentes dont l'inclinaison est supérieure à 20°.

DÉMARRAGE/ARRÊT DU MOTEUR (TOUS LES TYPES)

Voir les Figures 1 ~ 6, page 2.

- **Robinet d'Essence OUVERT:** mettre le robinet d'essence [1] en position OUVERT.
- **Starter Manuel:** Placer la levier de starter [2] soit en position STARTER (moteur froid).
- Placez la tige du volet à la position « Off » dès que le moteur se réchauffe et roule sans à-coup.
- **Moteur:** Pour obtenir un fonctionnement optimal du moteur, il est conseillé de l'utiliser avec le papillon en position RAPIDE (ou régime élevé).
- **Poignée du Démarreur:** Tirer légèrement la poignée du démarreur jusqu'à rencontrer une résistance, puis tirer vigoureusement.

AVIS

Ne pas lâcher la poignée et la laisser revenir violemment contre le moteur. La ramener doucement pour éviter d'endommager le démarreur.

Pour assurer un redémarrage facile et la performance maximale du Auto Choke System™, laisser le moteur fonctionner durant au moins trois minutes après avoir démarré un moteur froid avant de l'arrêter. Ce temps de fonctionnement minimum sera plus long si la température est sous 21 °C

- **Robinet d'Essence FERMÉ:** Après l'arrêt du moteur, mettre le robinet d'essence en position FERMÉ.

Si votre équipement ne sera pas utilisé pendant 3 à 4 semaines, nous vous recommandons de vidanger le carburant présent dans le carburateur. Pour vidanger le carburant, laissez la valve d'alimentation en position fermée (OFF), démarrez le moteur et attendez que le moteur s'arrête de lui-même. Le moteur ne devrait pas tourner plus de 3 minutes.

Se référer au numéro de type de votre moteur, un graphique correspondant à la [page 2](#).

Type 1: Frein De Volant, Starter/Papillon Commandé

DÉMARRAGE DU MOTEUR

1. Placer le levier de starter/papillon* [2] en position STARTER.
2. Placer le levier du frein de volant* [3] en position MARCHE.
3. Tirer légèrement la poignée du démarreur jusqu'à rencontrer une résistance, puis tirer vigoureusement.
4. Placer le levier de starter/papillon* [2] en position RAPIDE.

ARRÊT DU MOTEUR

1. Placer le levier de starter/papillon* [2] en position LENT.
2. Libérer le levier du frein de volant* [3] pour arrêter le moteur.

Type 2: Frein De Volant, Papillon Commandé, Starter Automatique

DÉMARRAGE DU MOTEUR

1. Placer le levier de papillon* [2] en position RAPIDE.
2. Placer le levier du frein de volant* [3] en position MARCHE.
3. Tirer légèrement la poignée du démarreur jusqu'à rencontrer une résistance, puis tirer vigoureusement.

ARRÊT DU MOTEUR

1. Placer le levier de papillon* [2] en position LENT.
2. Libérer le levier du frein de volant* [3] pour arrêter le moteur.

Type 3: Frein De Volant, Carburateur Préréglé, Starter À Retour Automatique

DÉMARRAGE DU MOTEUR

1. Placer le levier du starter à retour automatique [2] en position STARTER \mathcal{N} .

Le starter revient automatiquement à la position OFF 3 à 4 secondes après que le frein de volant est déplacé à la position RUN. Réinitialiser le starter si le moteur ne démarre pas dans ce délai.

2. Placer le levier du frein de volant* [3] en position MARCHE.
3. Tirer légèrement la poignée du démarreur jusqu'à rencontrer une résistance, puis tirer vigoureusement

Le carburateur de ce modèle de moteur est préréglé.

ARRÊT DU MOTEUR

Libérer le levier du frein de volant* [2] pour arrêter le moteur.

Type 4: Frein De Volant, Starter Automatique, Carburateur Préréglé

DÉMARRAGE DU MOTEUR

1. Placer le levier du frein de volant* [3] en position MARCHE.
2. Tirer légèrement la poignée du démarreur jusqu'à rencontrer une résistance, puis tirer vigoureusement.

ARRÊT DU MOTEUR

Libérer le levier du frein de volant* [3] pour arrêter le moteur.

Type 5: Frein-embayage À Aubes, Starter/Papillon Commandé

DÉMARRAGE DU MOTEUR

1. Placer le levier de starter/papillon* [2] en position STARTER.
2. S'assurer que le levier de commande de lame* est libérés.
3. Tirer légèrement la poignée du démarreur jusqu'à rencontrer une résistance, puis tirer vigoureusement.

* Consulter le mode d'emploi du matériel.

4. Amener lentement le levier de starter/papillon* [2] en position RAPIDE. Laisser le moteur atteindre sa température normale de fonctionnement puis engager le levier de commande de lame*.

ARRÊT DU MOTEUR

1. Relâchez le levier de commande du frein-embayage*.
2. Amener le levier de starter/papillon* [2] à sa position LENT et laisser le moteur tourner au ralenti pendant quelques instants en position ARRÊT.

Type 6: Frein-embayage À Aubes, Starter Automatique, Papillon Commandé

DÉMARRAGE DU MOTEUR

1. Placer le levier de papillon* [2] en position RAPIDE.
2. S'assurer que le levier de commande de lame* est libérés.
3. Tirer légèrement la poignée du démarreur jusqu'à rencontrer une résistance, puis tirer vigoureusement.
4. Laisser le moteur atteindre sa température normale de fonctionnement puis engager le levier de commande de lame*.

ARRÊT DU MOTEUR

1. Dégager le levier de commande du frein-embayage*.
2. Relâchez le levier de papillon commandé* [2] à sa position LENT et laisser le moteur tourner au ralenti pendant quelques instants en position ARRÊT.

Type 7: Starter Manuel, Papillon Manuel

DÉMARRAGE DU MOTEUR

1. Placer le levier de starter [2] en position STARTER ↵.
2. Placer le levier de papillon [3] en position RAPIDE ⚡.
3. Tirer légèrement la poignée du démarreur jusqu'à rencontrer une résistance, puis tirer vigoureusement.
4. Amener lentement le levier de starter [2] en position FERMÉ.

ARRÊT DU MOTEUR

Mettre le levier de papillon [3] en position LENT ⚡ et laisser le moteur tourner au ralenti pendant quelques instants en position STOP ⏹.

Type 8: Starter Manuel, Arrête Commutateur, Carburateur Préréglé

DÉMARRAGE DU MOTEUR

1. Tirer la tige de starter [2] jusqu'à sa position OUVERT ↵.
2. Placer le bouton d'arrêt du moteur [3] en position MARCHÉ.
3. Tirer légèrement la poignée du démarreur jusqu'à rencontrer une résistance, puis tirer vigoureusement.

Le régime de ce modèle de moteur est préréglé.

4. Amener lentement la tige de starter [2] en position FERMÉ.

ARRÊT DU MOTEUR

Placer le bouton d'arrêt du moteur [3] en position ARRÊT.

Type 9: Starter Manuel, Arrête Commutateur, Papillon Des Gaz Automatique

DÉMARRAGE DU MOTEUR

1. Tirer la tige de starter [2] jusqu'à sa position OUVERT ↵.
2. Placer le bouton d'arrêt du moteur [3] en position MARCHÉ.
3. Tirer légèrement la poignée du démarreur jusqu'à rencontrer une résistance, puis tirer vigoureusement.
4. Amener lentement la tige de starter [2] en position FERMÉ.

La fonction automatique du papillon des gaz fonctionne uniquement lorsque le moteur est pleinement réchauffé.

ARRÊT DU MOTEUR

1. Relâchez la pression de sorte que le papillon des gaz automatique ramène le moteur au ralenti.
2. Placer le bouton d'arrêt du moteur [3] en position ARRÊT.

* Consulter le mode d'emploi du matériel.

ENTRETIEN DU MOTEUR

L'IMPORTANCE DE L'ENTRETIEN

Le bon entretien du moteur est une condition essentielle à un fonctionnement sûr, économique et sans problème. Il permet également de réduire la pollution.

⚠ AVERTISSEMENT

Un entretien inadéquat ou l'existence de problèmes non résolus avant la mise en marche peuvent entraîner un mauvais fonctionnement pouvant présenter un danger de blessure grave ou de mort.

Veiller à toujours respecter les conseils de contrôle et d'entretien ainsi que le calendrier d'entretien figurant dans ce manuel.

Les pages qui suivent comprennent un calendrier d'entretien, des procédures de contrôles périodiques et des procédures d'entretien simples ne nécessitant qu'un outillage de base. D'autres opérations d'entretien plus difficiles, ou nécessitant des outils spéciaux, sont à confier préférablement à des professionnels et sont normalement effectuées par un technicien Honda ou autre mécanicien qualifié.

Le calendrier d'entretien s'applique pour des conditions d'exploitation normales. Si le moteur est utilisé dans des conditions sévères, notamment forte charge continue ou température élevée ou dans un milieu particulièrement humide ou poussiéreux, obtenir des conseils adaptés aux besoins et à l'emploi particulier du moteur auprès du concessionnaire.

Garder à l'esprit qu'un concessionnaire Honda agréé connaît très bien le moteur et est entièrement équipé pour son entretien et sa réparation.

Pour assurer une qualité et une fiabilité optimales, toujours utiliser des pièces Honda d'origine ou leurs équivalents pour les réparations et l'entretien.

L'entretien, le remplacement ou la réparation des systèmes et dispositifs de contrôle des émissions peut être confié à tout mécanicien ou atelier de réparation de moteurs, en veillant à utiliser des pièces homologuées aux normes EPA.

MESURES DE SÉCURITÉ CONCERNANT L'ENTRETIEN

Les mesures de sécurité qui suivent sont extrêmement importantes. Toutefois, il n'est pas possible de mettre en garde contre tous les risques potentiellement associés aux opérations d'entretien. Seul l'utilisateur peut décider ou non d'effectuer une tâche particulière.

⚠ AVERTISSEMENT

Pour écarter les dangers de mort ou de blessure grave, veiller à bien respecter les mesures de précaution et les instructions d'entretien.

Toujours respecter les procédures et mesures de précaution figurant dans ce manuel.

MESURES DE PRÉCAUTION

- S'assurer que le moteur est arrêté avant de débuter toute opération d'entretien ou de réparation. Ceci élimine plusieurs dangers potentiels :

- **Intoxication au monoxyde de carbone de l'échappement.**
Vérifier que la ventilation est suffisante pour faire fonctionner le moteur.
- **Brûlures sur les pièces chaudes.**
Laisser le moteur et l'échappement refroidir avant de les toucher.
- **Blessures dues aux pièces en mouvement.**
Sauf instruction contraire, ne pas faire tourner le moteur.
- Lire les instructions avant de débiter et veiller à avoir l'outillage et les compétences requis.
- Pour réduire le risque d'incendie ou d'explosion, faire preuve de prudence en travaillant au voisinage de l'essence. Nettoyer les pièces avec un solvant ininflammable, pas de l'essence. Tenir les cigarettes, étincelles et flammes nues à l'écart de toutes les pièces au contact avec l'essence.

CALENDRIER D'ENTRETIEN

Effectuer l'entretien suivant le mois/ans ou le nombre d'heures de fonctionnement indiqués, selon la première éventualité. ⁽¹⁾

Frequence d'entretien periodique	Description	Page
Avant chaque utilisation	Contrôler : Huile moteur Contrôler : Filtre à air	page 22 page 22
Premier mois ou 5 h	Changer : Huile moteur	page 22
Tous les 3 mois ou les 25 h	Nettoyage : Filtre à air ⁽²⁾	page 22
Tous les 6 mois ou les 50 h	Changer : Huile moteur ⁽³⁾ Nettoyage : Filtre à air ⁽²⁾ Contrôler : Semelle du frein de volant (types applicables)	page 22 page 22 page 23
Chaque année ou toutes les 100 h	6 articles mois au-dessus en plus : Contrôler-Régler : Bougie plug Nettoyer : Pare-étincelles (types applicables) Contrôler : Frein-embayage (types applicables) Contrôler-Régler : Régime de ralenti Nettoyer : Réservoir et filtre à essence Contrôler-Régler : Jeu des soupapes	page 22 page 23 (5) (4) (4) (4)
Tous les 2 ans ou toutes les 200 h	Articles annuelle ci-dessus plus : Changer : Filtre à air Changer : Bougie	page 22 page 22
Tous les 2 ans	Contrôler: Conduite d'essence (remplacer au besoin)	(4)

(1) En cas d'utilisation commerciale, tenir un registre des durées d'utilisation pour déterminer les intervalles d'entretien appropriés.

(2) Dans les milieux poussiéreux, effectuer un entretien plus fréquent.

(3) En cas d'utilisation sous forte charge ou à une température ambiante élevée, effectuer une vidange d'huile toutes les 25 heures.

(4) Ces opérations d'entretien sont à confier à un concessionnaire Honda agréé, à moins d'avoir l'outillage et les compétences mécaniques requis. Se reporter aux procédures d'entretien figurant dans le manuel de réparation.

(5) Voir le mode d'emploi du matériel entraîné ou le manuel de réparation moteur Honda.

L'inobservation de ce programme d'entretien peut entraîner des problèmes non couverts par la garantie.

REMPLISSAGE DU RÉSERVOIR D'ESSENCE

Ce moteur est certifié pour fonctionner à l'essence sans plomb avec :

- indice d'octane pompe 86 ou plus
- indice d'octane recherche 91 ou plus

Il est recommandé de refaire le plein d'essence après chaque utilisation pour réduire la présence d'air dans le réservoir.

Faites le plein dans un endroit bien aéré avec le moteur coupé. Si le moteur est déjà chaud, attendez qu'il refroidisse. Ne faites jamais le plein d'essence dans un local mal ventilé ou les vapeurs pourraient s'accumuler et entrer en contact avec une flamme ou une étincelle.

Vous pouvez utiliser de l'essence sans plomb contenant 10% d'éthanol maximum (E10) ou 5% de méthanol par volume. En outre, le méthanol doit contenir des cosolvants ainsi que des inhibiteurs de corrosion. Si vous utilisez du carburant dont la teneur en éthanol ou méthanol est supérieure aux spécifications stipulées ci-dessus, le démarrage et/ou la performance risquent d'être affectés. En outre, les pièces métalliques, en caoutchouc et en plastique du circuit de carburant pourraient subir des dommages. De plus, l'éthanol est hygroscopique, c'est-à-dire qu'il attire et retient l'eau présente dans le système d'alimentation en carburant. Les dommages au moteur ou problèmes de performance provenant d'un carburant aux pourcentages d'éthanol ou de méthanol supérieurs à ceux stipulés ci-dessus ne sont pas couverts par la garantie.

Si votre matériel est destiné à être utilisé peu fréquemment ou par périodes, (plus de 4 semaines) merci de consulter le paragraphe sur le ENTRETIEN DU SYSTÈME D'ALIMENTATION voir page 27 pour en savoir plus sur le risque de dégradation du carburant.

Ne jamais utiliser d'essence viciée ou contaminée ni de mélange huile-essence. Éviter d'introduire de la saleté ou de l'eau dans le réservoir.

⚠ AVERTISSEMENT

L'essence est une substance hautement inflammable et explosif.

Vous pouvez brûler ou gravement blessé lors de la manipulation du carburant.

- Arrêter le moteur et le laisser refroidir.
- Gardez la chaleur, des étincelles et des flammes.
- Manipuler le carburant seulement en plein air.
- Essayez immédiatement tout débordement.

Remplissage du réservoir

Voir la Figure 1, page 3.

1. Enlever le bouchon d'essence.
2. Verser l'essence jusqu'au bas de la limite de niveau d'essence dans le col du réservoir. Ne pas trop remplir [1]. Essuyer l'essence renversée avant de démarrer le moteur.
3. Fixez le bouchon du réservoir d'essence [2].

Eloignez-vous d'au moins 3 m de toute source de carburant et site de remplissage avant de mettre le moteur en marche.

AVIS

L'essence peut endommager la peinture et certains plastiques. Prendre garde à ne pas renverser d'essence en remplissant le réservoir. Les dommages causés par les déversements d'essence ne sont pas couverts par la GARANTIE LIMITÉE DU DISTRIBUTEUR.

HUILE MOTEUR

L'huile est un facteur déterminant pour la performance et la durée de service. Utiliser une huile automobile 4 temps détergente. Toujours changer l'huile en conformité avec le calendrier d'entretien (page 21).

Huile conseillée

Voir la Figure 2, page 3.

Utiliser une huile moteur 4 temps conforme ou supérieure aux exigences de la classe de service API SJ ou équivalent. Toujours consulter l'étiquette API sur le bidon d'huile pour s'assurer qu'elle comporte les codes SJ ou équivalent.

L'huile SAE 10W-30 est conseillée pour les emplois courants. Les autres viscosités préconisées dans le graphique sont à utiliser lorsque la température ambiante moyenne est dans la plage indiquée.

Contrôle du niveau d'huile

Voir la Figures 2, 3, page 3.

1. Vérifier l'huile avec le moteur arrêté et horizontal.
2. Ouvrir le bouchon-jauge d'huile et l'essuyer.
3. Introduire le bouchon-jauge d'huile [1] dans le col de remplissage d'huile comme sur l'illustration, mais ne pas le visser, puis l'extraire pour contrôler le niveau d'huile.
4. Si le niveau d'huile est proche ou en dessous du repère de limite inférieure [2] sur la jauge, enlever le bouchon d'huile et remplir avec l'huile conseillée jusqu'au repère supérieur [3]. Ne pas trop remplir.
5. Remettre le bouchon-jauge d'huile [1] en place.

Vidange d'huile

Voir la Figure 3, page 3.

Vidanger l'huile moteur lorsque le moteur est chaud. L'huile chaude s'écoule plus rapidement et complètement.

1. Mettre le robinet d'essence en position FERMÉ pour réduire le risque de fuite d'essence.
2. Placer un récipient approprié à côté du moteur pour recueillir l'huile usagée.
3. Enlever le bouchon-jauge d'huile [1] et vider l'huile dans le récipient en inclinant le moteur du côté de l'orifice de remplissage d'huile [4].

Éliminer l'huile moteur usagée de façon compatible avec la protection de l'environnement. Nous conseillons de porter l'huile usagée, dans un récipient hermétique, au centre de recyclage local ou à une station service. Ne pas jeter aux ordures ni verser sur le sol ou avec les eaux usées.

4. Le moteur étant en position horizontale, le remplir avec l'huile conseillée (voir plus haut) jusqu'au repère de limite supérieure [3] sur la jauge.

Recharge montant: 0,35 ~ 0,41 L

Utilisez toujours la jauge d'huile pour vérifier le niveau réel de l'huile.

AVIS

Faire tourner le moteur avec un niveau d'huile insuffisant peut l'endommager.

5. Bien remettre le bouchon-jauge d'huile [1] en place.

FILTRE À AIR

Un filtre à air bien entretenu empêche la saleté de pénétrer dans le moteur. La saleté qui pénètre dans le carburateur peut être acheminée par de petits conduits et causer l'usure prématurée de votre moteur. Ces petits conduits peuvent s'obstruer, entraînant des démarrages difficiles et des problèmes de fonctionnement.

AVIS

L'utilisation du moteur sans élément filtrant ou avec un élément endommagé permet à la poussière de pénétrer dans le moteur, ce qui cause une usure plus rapide. Ce type de dommage n'est pas couvert par la Garantie limitée du distributeur.

Nous recommandons d'utiliser le filtre à air Honda Genuine pour garantir et obtenir l'étanchéité et l'efficacité désirées. L'utilisation d'un filtre à air autre que la marque Honda peut provoquer des infiltrations de poussières capables d'endommager le moteur ou le système de graissage.

Contrôle

Voir la Figure 4, page 3.

1. Appuyer sur les languettes de fixation [1] au sommet du capot du filtre à air [2] et déposer le capot. Contrôler la propreté et l'état de l'élément filtrant [3].
2. Reposer l'élément filtrant et le capot du filtre à air.

Nettoyage

Voir la Figure 4, page 3.

1. Tapoter l'élément filtrant plusieurs fois sur une surface dure pour éliminer la saleté ou le passer à l'air comprimé sans dépasser 207 kPa depuis le côté propre, celui qui fait face au moteur. Ne jamais tenter de nettoyer la saleté à la brosse. Le brossage incruste la saleté dans les fibres.
2. Essuyer la saleté du corps et du capot de filtre à air [4] avec un chiffon humide. Prendre garde à empêcher la saleté d'entrer dans le conduit d'air [5] du carburateur.

BOUGIE

Voir la Figure 5, page 3.

Bougie d'allumage requis :

NGK BPR6ES (application nettoyage à pression)

NGK BPR5ES (toute autre application)

La bougie requis a une gamme thermique qui convient pour les températures normales de fonctionnement du moteur.

AVIS

Des bougies inadaptées peuvent endommager le moteur.

Pour bien fonctionner, la bougie doit être propre et présenter un écartement correct.

1. Débrancher le capuchon de bougie et éliminer toute la saleté au voisinage de la bougie.
2. Déposer la bougie à l'aide d'une clé à bougie [1] de taille correcte.
3. Contrôler la bougie. La changer si elle est endommagée, très encrassée, si la rondelle d'étanchéité [2] est en mauvais état ou si l'électrode est usée.
4. Mesure l'écartement des électrodes avec une jauge d'épaisseur. L'écartement correct est de 0,70 à 0,80 mm. Si un ajustement est nécessaire, corriger l'écartement avec précaution en courbant l'électrode latérale.
5. Revisser la bougie avec précaution, à la main, pour éviter de fausser le filetage.
6. Une fois la bougie en place, la serrer avec une clé à bougie de taille correcte pour comprimer la rondelle.

Lors de la pose d'une bougie neuve, serrer de 1/2 tour une fois qu'elle est au fond du filet pour comprimer la rondelle.

Lors de la réutilisation de la bougie d'origine, serrer de 1/8 à 1/4 de tour une fois qu'elle est au fond du filet pour comprimer la rondelle.

AVIS

Serrer correctement la bougie. Une bougie mal serrée peut chauffer fortement et endommager le moteur. Un serrage excessif de la bougie peut endommager le taraudage de la culasse.

7. Poser le capuchon de bougie sur la bougie.

CONTRÔLE DU FREIN DE VOLANT (types applicables)

Voir la Figures 6, 7, [page 3](#).

Démarrez le moteur et extérieur réglez le levier d'accélérateur en position FAST. Relâchez le volant d'inertie du levier de frein, le moteur devrait s'arrêter rapidement.

1. Déposer les trois écrous à embase [1] du démarreur à enrouleur [2] et déposer le démarreur du moteur.
2. Déposer le réservoir d'essence [3] du moteur sans débrancher la durite d'essence [4]. Si le réservoir contient de l'essence, le maintenir horizontal durant la dépose et le placer à côté du moteur en position horizontale.
3. Mesurer l'épaisseur de la semelle de frein [5]. Si elle est inférieure à 3 mm, porter le moteur chez un concessionnaire Honda.
4. Remettre le réservoir d'essence et le démarreur en place et bien resserrer les trois écrous.

PARE-ÉTINCELLES (types applicables)

Voir la Figure 8, [page 3](#).

Selon le type de moteur, le pare-étincelles peut être une pièce standard ou en option. Dans certaines zones, il n'est pas autorisé d'utiliser un moteur sans pare-étincelles. Se renseigner sur la réglementation locale. Un pare-étincelles est en vente chez les concessionnaires Honda agréés.

Pour assurer son bon fonctionnement, le pare-étincelles doit faire l'objet d'un entretien toutes les 100 heures.

Après la marche du moteur, le silencieux est chaud. Le laisser refroidir avant d'intervenir sur le pare-étincelles.

Dépose du pare-étincelles

1. Déposer les trois vis [1] de 6 mm du capot de silencieux [2] et déposer le capot de silencieux.
2. Déposer la vis spéciale [3] du pare-étincelles puis déposer le pare-étincelles [4] du silencieux [5].

Nettoyage et contrôle du pare-étincelles

1. À l'aide d'une brosse, éliminer les dépôts de carbone du grillage du pare-étincelles. Prendre garde à ne pas endommager le grillage. Changer le pare-étincelles s'il est fissuré ou percé.
2. Remonter le pare-étincelle dans l'ordre inverse de la dépose.

STOCKAGE DU MOTEUR

PRÉPARATION AU STOCKAGE

Une préparation correcte au stockage est essentielle au maintien du moteur en bon état. Les mesures qui suivent aideront à empêcher la rouille et la corrosion de compromettre le fonctionnement et l'apparence du moteur et permettront un démarrage plus facile lors de la remise en service.

Nettoyage

Si le moteur a fonctionné, le laisser refroidir pendant au moins une demi-heure avant de le nettoyer. Nettoyer toutes les surfaces externes, retoucher la peinture endommagée et enduire d'une fine pellicule d'huile toutes les surfaces susceptibles de rouiller.

AVIS

L'emploi d'un tuyau d'arrosage ou d'un nettoyeur haute pression peut faire pénétrer de l'eau dans le filtre à air ou le silencieux. Dans le filtre à air, l'eau peut imbibber l'élément filtrant et l'eau pénétrant dans le

filtre à air ou le silencieux peut parvenir jusqu'au cylindre et causer des dommages.

Essence

Voir « *ENTRETIEN DU SYSTÈME D'ALIMENTATION* » pour consulter une liste des procédures recommandées afin d'éviter les problèmes liés au carburant.

La *GARANTIE DU DISTRIBUTEUR* ([page 28](#)) ne couvre pas les dommages du système d'alimentation en essence ni les problèmes liés au rendement du moteur découlant d'un remisage inadéquat.

Huile moteur

1. Vidanger l'huile moteur (voir [page 22](#)).
2. Déposer la bougie (voir [page 22](#)).
3. Verser 5 à 10 cc d'huile moteur propre dans le cylindre.
4. Tirer plusieurs fois sur le démarreur à enrouleur pour distribuer l'huile.
5. Remettre la bougie en place.

Mesures de précaution pour le stockage

Si le moteur doit être stocké avec de l'essence dans le moteur et le carburateur, il importe de réduire le risque d'inflammation des vapeurs d'essence. Choisir une zone de stockage bien ventilée à l'écart de tout appareil fonctionnant avec une flamme, notamment chaudière, chauffe-eau ou sèche-linge. Éviter également toute zone où sont utilisés des moteurs électriques produisant des étincelles ou autre outillage électrique.

Autant que possible, éviter les zones de stockage fortement humides susceptibles de favoriser la rouille et la corrosion.

Si le réservoir contient de l'essence, laisser le robinet d'essence en position FERMÉ.

Stocker le moteur en position horizontale. L'inclinaison peut causer des fuites d'essence ou d'huile.

Lorsque le moteur est froid, y compris son système d'échappement, le couvrir pour le protéger de la poussière. Un moteur ou un pot d'échappement chauds peuvent enflammer ou faire fondre certains matériaux. Ne pas couvrir avec une bâche en plastique. Une couverture non poreuse piégera l'humidité autour du moteur, favorisant la rouille et la corrosion.

Remise en service après stockage

Effectuer les contrôles du moteur figurant dans la section *CONTRÔLES AVANT UTILISATION* de ce manuel (voir [page 18](#)).

Si l'essence a été vidangée avant le stockage, remplir le réservoir d'essence fraîche. Si l'essence utilisée provient d'un bidon, s'assurer qu'elle est fraîche. L'essence s'oxyde et se détériore avec le temps, causant des démarrages difficiles.

Si le cylindre a été enduit d'huile avant le stockage, le moteur fumera quelques instants au démarrage. Ceci est normal.

TRANSPORT

Pour réduire le risque de fuite d'essence, maintenir le moteur horizontal durant le transport. Mettre le robinet d'essence en position FERMÉ.

Pour les procédures à suivre lors du transport, référez-vous aux instructions fournies avec le matériel fonctionnant grâce au moteur.

RÉGLER DES PROBLÈMES IMPRÉVUS

Le moteur ne démarre pas

CAUSE POSSIBLE	CORRECTION
Robinet d'essence FERMÉ.	Mettre le robinet en position OUVERT.
Starter FERMÉ.	Mettre le levier de starter/papillon, la tige de starter ou le levier de starter en position STARTER OUVERT, sauf si le moteur est chaud. (si équipé)
Le bouton de contact ou d'arrêt du moteur est sur ARRÊT (OFF).	Mettre le levier du frein de volant en position MARCHÉ. Lever de papillon en position RAPIDE, bouton d'arrêt moteur sur MARCHÉ [ON]
Panne d'essence.	Refaire le plein.
Essence viciée ; moteur stocké sans traiter l'essence ou rempli avec de l'essence viciée.	Remplir d'essence fraîche.
Bougie défectueuse, encrassée ou mal réglée.	Changer la bougie (page 22).
Bougie mouillée à l'essence (moteur noyé).	Sécher la bougie et la remettre en place. Démarrer le moteur avec le levier de starter/papillon en position RAPIDE. Starter en position FERMÉ
Filtre à essence obstrué, mauvais fonctionnement du carburateur, problème d'allumage, soupapes grippées, etc.	Changer ou réparer les éléments défectueux.

Le moteur manque de puissance

CAUSE POSSIBLE	CORRECTION
Le filtre à air obstrué.	Nettoyer ou changer le filtre (page 22).
Essence viciée ; moteur stocké sans traiter l'essence ou rempli avec de l'essence viciée.	Remplir d'essence fraîche.
Filtre à essence obstrué, mauvais fonctionnement du carburateur, problème d'allumage, soupapes grippées, etc.	Changer ou réparer les éléments défectueux.

INFORMATIONS TECHNIQUES

Emplacement du numéro de série et du type

Voir la Figure page 1.

Noter le numéro de série du moteur et le type dans l'espace ci-dessous. Cette information est nécessaire pour la commande de pièces, les demandes techniques ou le recours à la garantie.

MODÈLE	NUMÉRO DE SÉRIE	TYPE
GCV160 ou 190	_____	_____
Date d'achat		

Étiquette sur le brouillage radioélectrique (Canada)

Ce moteur est conforme aux normes de brouillage radioélectrique du Canada, NMB-002.

Modifications du carburateur pour l'utilisation à haute altitude

À haute altitude, le mélange air-essence du carburateur standard est trop riche. Le rendement baisse et la consommation d'essence augmente. Un mélange très riche peut également encrasser la bougie et causer des problèmes de démarrage. L'utilisation pendant des périodes prolongées à une altitude autre que celle pour laquelle le moteur est homologué peut accroître les émissions.

Le fonctionnement à haute altitude peut être amélioré par modification du carburateur. Si le moteur est toujours utilisé à des altitudes supérieures à 1500 mètres, faire effectuer cette modification du carburateur par le revendeur. Lorsqu'il est utilisé en altitude avec un carburateur modifié pour la haute altitude, ce moteur se conforme à toutes les normes d'émissions pendant toute sa durée de service.

Même avec un carburateur modifié, la puissance du moteur diminue d'environ 3,5% pour chaque élévation supplémentaire de 300 mètres. L'effet de l'altitude sur la puissance est encore plus important avec un carburateur non modifié.

Lorsque vous utilisez des moteurs dotés d'un papillon de gaz automatique pour des applications à haute altitude, la capacité de ralentir le moteur à 2 500 tours/minute peut diminuer. Consultez votre concessionnaire relativement aux ajustements à apporter si votre papillon des gaz ne réduit pas lorsque la pression diminue ou éprouve de la difficulté à revenir à des tr/min à plein régime si on applique la pression.

AVIS

Lorsque le carburateur a été modifié pour une utilisation à haute altitude, le mélange air-essence est trop pauvre pour les basses altitudes. L'utilisation à des altitudes inférieures à 1 500 mètres avec un carburateur modifié peut causer une surchauffe et des dommages importants du moteur. Pour les emplois à basse altitude, faire remettre le carburateur dans son état d'origine par le revendeur.

INFORMATION SUR LE SYSTÈME ANTIPOLLUTION

Sources des émissions

Le processus de combustion produit du monoxyde de carbone, des oxydes d'azote et des hydrocarbures. Le contrôle des hydrocarbures et des oxydes d'azote est très important parce que, dans certaines conditions, ils réagissent pour former un brouillard photochimique lorsqu'ils sont soumis à la lumière du soleil. Le monoxyde de carbone ne réagit pas de la même façon, mais il est très toxique.

Honda utilise des proportions air/essence appropriées ainsi que d'autres systèmes antipollution afin de réduire les émissions de monoxyde de carbone, d'oxydes d'azote et d'hydrocarbures. De plus, les systèmes d'alimentation de Honda utilisent des composantes et des technologies anti-pollution visant à réduire les émissions par évaporation.

Lois sur l'assainissement de l'air des États-Unis et de la Californie

La réglementation de l'EPA et de l'état de la Californie exige que tous les fabricants fournissent des instructions écrites expliquant le fonctionnement et l'entretien des systèmes antipollution.

Les instructions et procédures suivantes doivent être observées afin d'assurer la conformité de votre moteur Honda avec les normes sur les émissions en vigueur.

Modification et altération

AVIS

La modification est une violation de la loi fédérale et de la Californie.

La modification ou l'altération du système antipollution peut entraîner une augmentation des émissions au-delà des limites permises. En vertu de ces lois, la modification est définie comme suit :

- Dépose ou altération de toute pièce de la tubulure d'admission, du système d'alimentation en essence ou du système d'échappement.
- Altération ou modification de la tringlerie du régulateur ou du mécanisme de réglage de la vitesse entraînant le fonctionnement du moteur au-delà des paramètres de conception.

Problèmes pouvant avoir des effets sur les émissions

Si votre moteur présente l'un des symptômes suivants, faites inspecter ou réparer votre moteur par votre concessionnaire.

- Démarrage difficile et calage du moteur après le démarrage.
- Ralenti difficile.
- Raté d'allumage ou retour de flamme (backfire) sous charge.
- Postcombustion (backfire).
- Fumée d'échappement ou consommation élevée d'essence.

Pièces de remplacement

Les systèmes antipollution de votre moteur Honda ont été conçus et fabriqués pour répondre aux normes sur les émissions de l'EPA et de l'état de la Californie. Nous vous recommandons d'utiliser des pièces Honda d'origine pour tout entretien. Ces pièces de remplacement d'origine sont fabriquées suivant les mêmes normes que les pièces d'origine, vous pouvez ainsi vous fier à leur rendement. L'utilisation de pièces de remplacement autres que des pièces d'origine peut affecter le rendement de votre système antipollution.

Il incombe aux fabricants de pièces de rechange de s'assurer que les pièces n'entraînent pas une diminution du rendement en matière de contrôle des émissions. Le fabricant ou l'atelier de remise à neuf de ces pièces doivent certifier que l'utilisation de ces pièces n'entraînera pas la non-conformité du moteur en ce qui a trait aux normes sur les émissions.

Entretien

Observez le calendrier d'entretien de la [page 21](#). Rappelez-vous que le calendrier a été conçu suivant l'utilisation du moteur aux fins prescrites. Une utilisation prolongée sous charge ou un fonctionnement à haute température, ou l'utilisation du moteur dans des milieux très humides ou secs, exigera davantage d'entretien.

Indice d'air

Une étiquette ou une étiquette volante sur l'indice d'air est apposée sur les moteurs étant certifiés pour une période de conformité donnée en matière d'émissions suivant les normes du California Air Resource Board.

Le diagramme à barres a été conçu afin que nos clients puissent comparer le rendement en matière d'émissions des moteurs disponibles. Un indice d'air faible indique un faible taux de pollution.

La description de durabilité a été conçue pour vous indiquer le temps de conformité de votre moteur aux normes sur les émissions. Le terme descriptif indique la durée utile du système antipollution ([page 29](#)) de votre moteur.

CARACTÉRISTIQUES

TERME DESCRIPTIF	TEMPS DE CONFORMITÉ
Modéré	50 heures (0 - 80 cm ³ incluse) 125 heures (supérieur à 80 cm ³ incluse)
Intermédiaire	125 heures (0 - 80 cm ³) 250 heures (supérieur à 80 cm ³ incluse)
Prolongé	300 heures (0 - 80 cm ³ incluse) 500 heures (supérieur à 80 cm ³) 1000 heures (250 cm ³ et supérieur)

GCV160

TYPE	DÉMARREUR A ENROULEUR	DÉMARREUR ÉLECTRIQUE
Longueur x Largeur x Hauteur	367 x 331 x 360 mm	367 x 354 x 360 mm
Poids à vide ***	10,5 kg	11,6 kg
Type de moteur	4 temps, arbre à cames en tête, monocylindre	
Cylindrée [alésage x course]	160 cm ³ [64 x 50 mm]	
Capacité huile moteur	Sec moteur: 0,50 L * Recharge montant: 0,35 ~ 0,41 L	
Capacité du réservoir d'essence	0,93 L	
Consommation d'essence **	1,1 l/h à 3 000 tr/min	
Système de refroidissement	Air pulsé	
Système d'allumage	Magnéto transistorisée	
Rotation prise de force	Sens inverse des aiguilles d'une montre	

GCV190

TYPE	DÉMARREUR A ENROULEUR	DÉMARREUR ÉLECTRIQUE
Longueur x Largeur x Hauteur	367 x 331 x 368 mm	367 x 354 x 368 mm
Poids à vide ***	12,3 kg	13,3 kg
Type de moteur	4 temps, arbre à cames en tête, monocylindre	
Cylindrée [alésage x course]	187 cm ³ [69 x 50 mm]	
Capacité huile moteur	Sec moteur: 0,50 L * Recharge montant: 0,35 ~ 0,41 L	
Capacité du réservoir d'essence	0,93 L	
Consommation d'essence **	1,3 L/h à 3 000 tr/min	
Système de refroidissement	Air pulsé	
Système d'allumage	Magnéto transistorisée	
Rotation prise de force	Sens inverse des aiguilles d'une montre	

* Le niveau peut varier en fonction de l'huile restant dans le moteur. Utilisez toujours la jauge d'huile pour vérifier le niveau réel de l'huile ([page 22](#)).

** La consommation réelle peut varier en fonction de la charge appliquée au moteur

*** Selon le type

Spécifications de mise au point

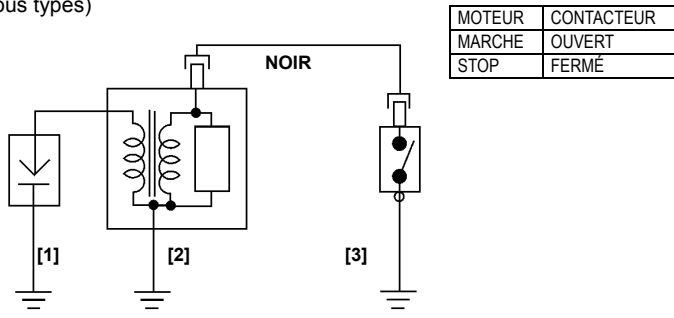
ÉLÉMENT	SPÉCIFICATION	ENTRETIEN
Écartement de bougie	0.70 ~ 0.80 mm	Consulter la page 22
Ralenti	1,400 ± 150 tr/min 1,700 ± 150 tr/min (papillon des gaz pré réglé) 2,500 ± 150 tr/min (papillon des gaz automatique)	Voyez votre concessionnaire Honda
Jeu de soupape (froid)	IN: 0.15 ± 0.04 mm EX: 0.20 ± 0.04 mm	

Références rapides

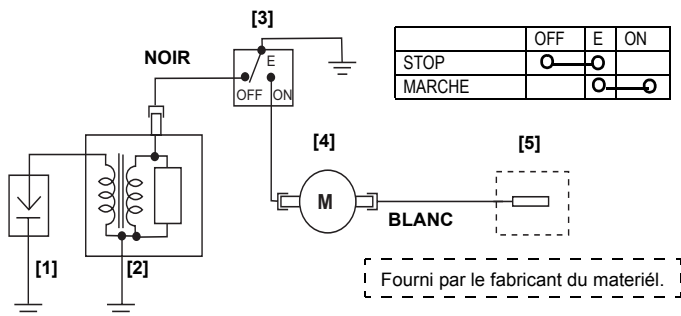
ARTICLE		DESCRIPTION
Essence	Type	L'essence sans plomb avec un indice d'octane minimal de 86 (page 21).
Huile moteur	Type	SAE 10W-30, API SJ, pour usage général. Voir page 22 . * Recharge montant: 0,35 ~ 0,41 L
Carburateur	Régime de ralenti	1 400 ± 150 tr/min 1 700 ± 150 tr/min (papillon des gaz pré réglé) 2 500 ± 150 tr/min (papillon des gaz automatique)
Bougie	Type	NGK BPR6ES (application nettoyage à pression) NGK BPR5ES (toute autre application)
Entretien	Avant chaque emploi	Contrôler le niveau d'huile moteur. Voir page 22 . Contrôler le filtre à air. Voir page 22 .
	Premières 5 heures	Effectuer une vidange d'huile. Voir page 22 .
	Par la suite	Voir le calendrier d'entretien à la page 21 .

Schéma de câblage

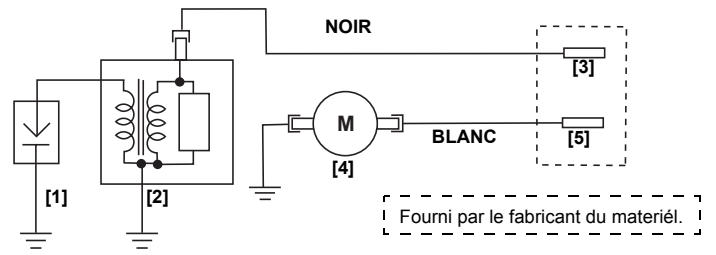
MODÈLES À DÉMARREUR À ENROULEUR
(tous types)



DÉMARREUR ÉLECTRIQUE (à frein de volant)



DÉMARREUR ÉLECTRIQUE (à frein-embayage)



[1]	BOUGIE	[4]	DÉMARREUR
[2]	BOBIN D'ALLUMAGE	[5]	BOUTON DE DÉMARRAGE
[3]	BOUTON D'ARRÊT DU MOTEUR		

ENTRETIEN DU SYSTÈME D'ALIMENTATION

GCV MOTEUR PROPULSÉ PRODUITS

Si elle est entretenue correctement, votre alimenté produit Honda devrait vous fournir de nombreuses années de service sans tracas. Cela va de même pour le circuit d'alimentation. Toutefois, l'essence peut se détériorer rapidement et causer des problèmes de démarrage et de fonctionnement et, dans certains cas, des dommages au circuit d'alimentation. La plupart des problèmes liés au carburant peuvent être évités en prenant les précautions indiquées ci-dessous. Les dommages au circuit d'alimentation et les problèmes de rendement du moteur résultant du carburant détérioré ne sont pas *COUVERTS PAR LA GARANTIE*.

Suivez ces instructions pour éviter des problèmes plus de carburant liées

Pendant la saison de fonctionnement normal	Explication
N'utilisez pas de carburant contenant plus de 10 % d'éthanol (E10). Pas toute l'essence automobile est sûr pour une utilisation dans votre produit d'alimentation.	Une forte concentration d'éthanol dans le carburant retient l'eau et peut corroder ou endommager le circuit d'alimentation et causer des problèmes de rendement.
Rangez le carburant dans un contenant en plastique propre et hermétiquement fermé, homologué pour la conservation du carburant. Rangez le contenant de carburant à l'abri des rayons du soleil ; si le contenant est muni d'un évent, laissez-le fermé.	Un contenant en plastique transparent empêchera la rouille et les contaminants de pénétrer dans le circuit de carburant. Le carburant se détériorera plus rapidement s'il est exposé à l'air et aux rayons du soleil.
N'achetez que suffisamment d'essence pour la conserver pendant 30 à 60 jours au plus. Si vous achetez du carburant pour plus de 60 jours, ajoutez au contenant un stabilisateur de carburant lors du remplissage.	Le carburant se détériore à la longue, il est donc préférable d'éviter de le conserver pendant de longues périodes de temps, en particulier par temps chaud. Le stabilisateur de carburant prolongera la durée de conservation le carburant, mais ne reconstituera pas du carburant éventé.
Lorsque vous avez fini d'utiliser votre produit, fermez de l'essence pour une durée de (OFF) et remplissez le réservoir de carburant.	Si le réservoir de carburant n'est que partiellement rempli, l'air qui s'y trouve favorisera la détérioration du carburant.
Gardez le filtre à air propre et bien entretenu. Vérifier avant chaque utilisation.	Un filtre à air bien entretenu aidera à prévenir la saleté de pénétrer dans le carburateur. Les petits passages à l'intérieur du carburateur peut devenir bloquée.

3 à 4 semaines avantie prochaine usage	Explication
Tournez le robinet d'essence en position d'arrêt (OFF) et remplissez le réservoir de carburant de votre produit.	Si le réservoir de carburant n'est que partiellement rempli, l'air qui s'y trouve favorisera la détérioration du carburant.
Le robinet d'essence étant fermé, lancez le moteur et laissez le tourner jusqu'à ce qu'il n'y ait plus d'essence. Le moteur devrait tourner pendant environ trois (3) minutes.	La petite quantité de carburant dans le carburateur de Ajoutez un stabilisateur de carburant au réservoir de votre produit conformément aux instructions du fabricant se détériorera plus rapidement que le carburant dans le réservoir en raison du faible volume et de la chaleur du moteur.

1 à 3 mois avantie prochaine usage	Explication
Si vous n'avez pas ajouté de stabilisateur de carburant à votre contenant de stockage lorsque vous l'avez rempli, remplissez le réservoir de votre produit d'essence neuve.	Si le réservoir de carburant n'est que partiellement rempli, l'air qui s'y trouve favorisera la détérioration du carburant.
Ajoutez un stabilisateur de carburant au réservoir de votre produit conformément aux instructions du fabricant.	Le stabilisateur de carburant prolongera la durée de conservation du carburant, mais ne reconstituera pas le carburant éventé.
Laissez le moteur tourner à l'extérieur pendant dix (10) minutes.	Le carburant traité doit remplacer le carburant non traité dans le circuit d'alimentation.
Coupez le moteur et fermez le robinet d'essence (OFF). Relancez le moteur jusqu'à ce qu'il n'y ait plus d'essence. Le moteur devrait tourner pendant environ trois (3) minutes.	La petite quantité de carburant dans le carburateur de la produit se détériorera plus rapidement que le carburant dans le réservoir en raison du faible volume et de la chaleur du moteur.

Plus de 3 mois avantie prochaine usage	Explication
Vidangez le carburant selon la méthode décrite à la page 23 . Ou lancez le moteur et laissez-le tourner suffisamment longtemps pour vider complètement le circuit d'alimentation, y compris le réservoir de carburant. Ne laissez pas de carburant dans votre produit pendant plus de trois (3) mois d'inactivité.	Tous les stabilisateurs de carburant ont une durée de conservation. Une bonne pratique consiste à vider le circuit d'alimentation si il reste inutilisée pendant une période prolongée.

S'il reste du carburant dans le contenant de stockage à la fin de la saison, ajouter l'essence à votre voiture.

INFORMATION DU CONSOMMATEUR

Informations sur la garantie et le localisateur de distributeurs/concessionnaires

Etats-Unis, Puerto Rico et Iles vierges américaines:
Rendez-vous sur notre site Web: www.engines.honda.com

Canada:
Appelez le (888) 9honda9
ou rendez-vous sur notre site Web: www.honda.ca

Publications Honda

Ces publications fournissent des renseignements supplémentaires pour l'entretien et la réparation du moteur. Elles peuvent être commandées auprès du concessionnaire de moteurs Honda.

Manuel de réparation	Ce manuel couvre toutes les procédures d'entretien et de remise à neuf. Il est destiné aux techniciens qualifiés.
Catalogue de pièces	Ce manuel fournit une nomenclature des pièces complète et illustrée.

Informations d'entretien pour le client

Le personnel des concessions de moteur Honda possède une formation professionnelle. Il devrait être en mesure de répondre à toutes vos questions. Si vous êtes aux prises avec un problème que votre concessionnaire ne peut résoudre, parlez-en à la direction de la concession. Le directeur du service après-vente et le directeur général sont en mesure de vous aider. La plupart des problèmes se règlent ainsi simplement.

Toutefois, si vous n'êtes pas satisfait de la décision prise par la direction de la concession, communiquez avec le service à la clientèle de Honda Canada. Vous pouvez nous joindre par téléphone ou par télécopieur.

<Bureau Honda>

Lorsque vous écrivez ou appelez, veuillez fournir les informations suivantes:

- Nom du fabricant et numéro de modèle de l'équipement sur lequel est monté le moteur
- Modèle, numéro de série et type du moteur ([page 24](#))
- Nom du concessionnaire vous ayant vendu le moteur
- Nom, adresse et personne à contacter du concessionnaire assurant le service après-vente de votre moteur
- Date d'achat
- Vos nom, adresse et numéro de téléphone
- Description détaillée du problème

Honda Canada, Inc.
180 Honda Blvd.
Markham, ON L6C 0H9
ou visiter : www.honda.ca
Téléphone: (888) 9honda9 Sans frais
(888) 946-6329

GARANTIE DU DISTRIBUTEUR

Honda Canada Inc., pour et au nom de Honda Motor Co. Ltd., Tokyo, Japon, offre la garantie suivante sur chaque moteur à toutes fins neuf fabriqué par Honda Motor Co. Ltd., Japon, distribué au Canada par Honda Canada Inc., et vendu en tant que pièce d'origine d'un équipement lorsqu'un tel équipement est fabriqué au Canada. Aux fins des présentes, "Honda" signifie Honda Canada Inc. etc/ou Honda Motor Co. Ltd., selon le contexte.

Honda garantit que chaque moteur à toutes fins neuf Honda est exempt de défaut de fabrication et de vice de main-d'oeuvre dans des conditions normales d'utilisation et d'entretien, pendant la période de garantie pertinente énoncée ci-dessous. Si un moteur à toutes fins Honda s'avère défectueux avant l'échéance de la période de garantie, Honda réparera ou remplacera les pièces nécessaires par des pièces Honda neuves ou leur équivalent, sans frais de la part du consommateur, pièces et main-d'oeuvre comprises (à l'exception des frais de main-d'oeuvre relatives à un accessoire), sous réserve que de telles déficiences soient attribuées par Honda à des défauts de fabrication ou à des vices de main-d'oeuvre.

PÉRIODE DE GARANTIE

La couverture de garantie entre en vigueur à la date de vente originale ou lorsque l'unité est mise en service comme modèle de démonstration. La garantie suivante s'applique aux moteurs d'usage général achetés au détail ou utilisés pour un service de location le, ou après le, 1eraoût 2011.

MODÈLE	UTILISATION NON-COMMERCIALE	UTILISATION COMMERCIALE	LOCATION	CONCESSION
GCV Moteur	24 mois	3 mois	3 mois	AUCUNE

REMARQUE : LE TERME CONCESSION DÉSIGNE UNE UTILISATION DANS UN KART (« GO KART »), ETC.

CETTE GARANTIE S'APPLIQUE:

- a) à tout moteur à toutes fins Honda acheté au Canada d'un concessionnaire ou d'un distributeur autorisé de moteurs à toutes fins Honda ;

- b) à toute pièce installée à l'usine (à l'exception des pièces sujettes à un entretien régulier dont il est mentionné dans la section intitulée "CETTE GARANTIE NE S'APPLIQUE PAS", et ;
- c) à tout moteur d'usage général sur lequel les services d'entretien périodiques ont été effectués, tel que prescrit dans le Manuel du propriétaire.

CETTE GARANTIE DE MOTEUR N'INCLUT PAS :

1. Tout dommage ou détérioration découlant des situations suivantes :
 - Négligence concernant l'entretien périodique du moteur comme indiqué dans le Manuel du propriétaire : Réparation ou entretien erroné
 - Méthodes de fonctionnement autres que celles indiquées dans le manuel du propriétaire du moteur
 - Dommages causés par le produit sur lequel est installé le moteur
 - Dommage causé par la conversion vers un carburant, ou l'utilisation d'un carburant, autre que celui (ceux) pour lequel (lesquels) le moteur a été fabriqué à l'origine, comme il est indiqué dans le Manuel du propriétaire du moteur
 - L'utilisation de pièces ou d'accessoires qui ne sont pas des pièces ou des accessoires Honda d'origine, autres que ceux approuvés par Honda (autres que les lubrifiants et liquides recommandés) (ne s'applique pas aux garanties des pièces antipollution, à moins qu'une pièce qui n'est pas une pièce Honda d'origine ait été utilisée, que celle-ci n'est pas comparable à la pièce Honda, et qu'elle ait causé la défaillance)
 - L'exposition du produit aux particules de suie, à la fumée, aux agents chimiques, aux fientes d'oiseaux, à l'eau saline, au sel ou à d'autres environnements corrosifs
 - Une collision, la contamination du carburant ou sa détérioration, la négligence, les modifications non autorisées, ou une mauvaise utilisation
 - L'usure normale (la décoloration naturelle des surfaces peintes ou plaquées, l'écaillage ou toute autre détérioration naturelle)
2. Les pièces normalement sujettes au remplacement : Honda ne garantit pas la détérioration due à une usure normale. Les pièces énumérées plus bas ne sont pas couvertes par la garantie (à moins que leur remplacement soit requis afin d'effectuer une autre réparation de garantie) :
 - Bougies d'allumage, filtre à essence, filtre à air, disque d'embrayage, corde du lanceur à rappel : Lubrifiants : huile et graisse
3. Nettoyage, réglage et entretien périodique normal (nettoyage de carburateur et vidange d'huile du moteur)
4. L'utilisation d'un moteur Honda d'usage général afin de participer à une course ou à une compétition.
5. Tout moteur qui fait partie d'un produit qui a fait l'objet d'une déclaration de perte totale ou qui a été vendu pour récupération ou usinage, peu importe la durée, par une institution financière ou un assureur.

OBLIGATION DU PROPRIÉTAIRE

Afin de maintenir la validité de cette GARANTIE DU DISTRIBUTEUR, les services d'entretien requis tels qu'énoncés dans le Manuel du propriétaire doivent être effectués aux intervalles appropriés et les reçus détaillés et registres doivent être gardés en dossiers.

COMMENT BÉNÉFICIER DE CETTE GARANTIE

Vous devez apporter votre moteur à toutes fins Honda, à vos frais, pendant les heures normales de travail, chez le concessionnaire autorisé de produits mécaniques Honda où vous avez acheté ce produit ou chez le concessionnaire précisé par le fabricant de l'équipement propulsé par le moteur Honda. Si vous ne pouvez pas obtenir le service prescrit par la garantie ou en êtes insatisfait, prenez les mesures suivantes : communiquez d'abord avec le propriétaire de la concession concernée ; cela devrait suffire pour résoudre le problème. Si vous avez besoin d'aide supplémentaire, veuillez communiquer avec le département des relations avec la clientèle chez Honda Canada Inc.

GARANTIE DES PIÈCES DE RECHANGE

Les pièces de rechange neuves d'origine Honda, vendues à un consommateur et installées par un concessionnaire autorisé de produits mécaniques Honda, non couvertes aux termes de la GARANTIE DU DISTRIBUTEUR sont garanties pour une période d'un (1) an à compter de la date d'achat dans le cas de l'utilisation normale ou de trois (3) mois dans le cas de l'utilisation commerciale/la location ou dans une concession, sous réserve que cette garantie de pièces de rechange ne s'applique pas aux pièces de rechange modifiées, utilisées ou installées sur un produit mécanique pour lequel lesdites pièces de rechange n'étaient pas conçues. Les composantes électriques qui ne sont pas installées par le concessionnaire (vendues au comptoir) ne sont pas couvertes par une garantie.

EXCLUSION DE TOUTE AUTRE GARANTIE

La GARANTIE DU DISTRIBUTEUR est la seule et unique garantie écrite offerte par Honda sur les moteurs à toutes fins Honda. Aucun concessionnaire, agent ou employé n'est autorisé à prolonger ou augmenter cette garantie au nom de Honda par toute déclaration écrite ou verbale ou toute publicité.

DÉNÉGATION DE RESPONSABILITÉ

Dans la mesure autorisée par la loi, Honda se dégage de toute responsabilité découlant des pertes de temps ou d'utilisation du moteur à toutes fins, des coûts de transport ou de remorquage ou de tout autre dommage imprévu, direct ou consécutif, d'inconvenient ou de perte de revenus.

AVIS AU CONSOMMATEUR

Les stipulations contenues dans ces garanties écrites n'ont pas pour objet de limiter, modifier, annuler, nier ou exclure toute garantie énoncée dans "The Consumer Products Warranty Act, 1977" (Saskatchewan), "The Consumer Product Warranty and Liability Act" (Nouveau-Brunswick) et la "Loi sur la protection du consommateur" (Québec) ou toute autre loi provinciale ou fédérale similaire.

DÉCLARATION DE CONFIDENTIALITÉ

L'information soumise concernant le propriétaire peut être utilisée par Honda et ses sociétés affiliées, leurs concessionnaires et leurs fournisseurs de services dans le but de vous communiquer des informations commerciales relatives aux produits et services. Si vous préférez ne pas recevoir d'informations commerciales, veuillez communiquer avec nous au 1-888-946-6329.

GARANTIE DU SYSTÈME ANTIPOLLUTION

Votre nouveau moteur pour Produit Mécanique Honda est conforme aux réglementations sur les émissions de l'U.S. EPA, d'Environnement Canada et de l'État de Californie (modèles homologués pour la vente en Californie). American Honda Motor Co., Inc. fournit la garantie sur les émissions pour les moteurs aux États-Unis et dans ses territoires. Honda Canada Inc. fournit la garantie sur les émissions pour les moteurs dans les 13 provinces et territoires du Canada. Dans la suite de cette Garantie du système antipollution, American Honda Motor Company Inc. et Honda Canada Inc. sont appelés Honda.

Vos droits et obligations aux termes de la garantie:

Californie

Le California Air Resources Board et Honda sont heureux de vous expliquer la garantie du système antipollution qui équipe votre moteur pour Produit Mécanique Honda 2017 ou ultérieur. En Californie, les nouveaux moteurs à allumage par étincelle pour petits appareils non routiers doivent être conçus, fabriqués et équipés pour satisfaire les strictes normes antipollution de l'état.

Autres états, territoires américains et Canada

Dans les autres régions des États-Unis et au Canada, votre moteur doit être conçu, fabriqué et équipé pour satisfaire les normes d'émissions de l'U.S. EPA et d'Environnement Canada pour les moteurs à allumage par étincelle de 19 kilowatts ou moins. Les produits Honda qui ne sont pas conformes aux normes de pollution californiennes peuvent être identifiés par une décalcomanie " Not for sale in California " (non disponible sur le marché californien).

Ensemble des États-Unis et Canada

Honda doit garantir le système antipollution de votre moteur pour produit mécanique pendant la durée indiquée ci-dessous, à condition que le moteur n'ait fait l'objet d'une forme d'emploi abusif, négligence ou défaut d'entretien. En cas de panne remplissant les conditions de la garantie, Honda s'engage à réparer votre moteur sans frais à votre charge, notamment pour le diagnostic, les pièces et la main-d'œuvre.

Votre système antipollution peut comprendre des organes tels que le carburateur ou le système d'injection de carburant, le système d'allumage et le convertisseur catalytique. Les tuyaux, raccords et autres éléments en rapport avec les émissions peuvent également être inclus.

Responsabilité du propriétaire aux termes de la garantie:

En tant que propriétaire du moteur pour produit mécanique, vous avez la charge des opérations d'entretien indiquées dans votre manuel de l'utilisateur. Honda vous conseille de conserver tous les reçus concernant l'entretien de votre moteur pour produit mécanique, toutefois Honda ne peut pas refuser le recours à la garantie uniquement en raison de l'absence de reçus ou si vous avez manqué à assurer la totalité de l'entretien prévu.

En tant que propriétaire du moteur pour produit mécanique, vous devez cependant savoir que Honda peut vous refuser le recours à la garantie si votre moteur pour produit mécanique ou l'une de ses pièces a fait l'objet d'emploi abusif, de négligence, de défaut d'entretien ou de modifications non autorisées.

Il relève de votre responsabilité de présenter votre moteur pour produit mécanique à un concessionnaire de Produits Mécaniques Honda dès qu'un problème se présente. Les réparations couvertes par la garantie devraient être effectuées dans un délai raisonnable ne dépassant pas 30 jours.

Pour toute question concernant vos droits et responsabilités aux termes de la garantie, veuillez communiquer avec le Bureau Honda de votre région.

American Honda Motor Co., Inc.
Power Equipment Customer
Relations
4900 Marconi Drive
Alpharetta, Georgia 30005-8847
Téléphone: (888) 888-3139
email: powerequipmentemissions
@ahm.honda.com

Honda Canada Inc.
Power Equipment Customer
Relations
180 Honda Blvd. Markham,
ON. L6C 0H9
Téléphone: (888) 946-6329

Couverture de la garantie:

Les moteurs pour produit mécanique Honda vendus dans l'ensemble des États-Unis et Canada sont couverts par cette garantie pour une durée de deux ans à compter de la date de livraison à l'acheteur au détail initial. Cette garantie peut être cédée à chaque acheteur ultérieur pendant toute la durée de la garantie.

Les réparations couvertes par la garantie seront effectuées sans frais de diagnostic, de pièces ou de main-d'œuvre. Toutes les pièces défectueuses remplacées dans le cadre de la garantie deviennent la propriété de Honda. Les pièces couvertes par la garantie sont détaillées sous Pièces couvertes par la garantie du système de antipollution ci-joint après. Les pièces relevant de l'entretien courant, notamment bougies et filtres, figurant sur la liste des pièces garanties ne sont couvertes par la garantie que jusqu'à leur délai de remplacement prévu.

Honda est également responsable des dommages causés à d'autres organes du moteur par la défaillance de toute pièce couverte par la garantie pendant la durée de la garantie.

Les réparations couvertes par la garantie doivent utiliser exclusivement des pièces de rechange agréées par Honda, qui doivent être fournies sans frais pour le propriétaire. L'emploi de pièces de rechange non équivalentes aux

pièces d'origine peut affecter l'efficacité du système antipollution de votre moteur. Si une telle pièce de rechange est utilisée pour la réparation ou l'entretien de votre moteur et qu'elle est jugée défectueuse par un revendeur Honda agréé ou qu'elle provoque la défaillance d'une pièce couverte par la garantie, le recours à la garantie pour la réparation du moteur peut vous être refusé. Si la pièce en question est sans rapport avec la raison pour laquelle le moteur doit être réparé, alors le recours à la garantie ne peut vous être refusé.

Pour recourir à la garantie:

Vous devez amener, à vos propres frais, votre moteur Honda ou le produit sur lequel il est installé, ainsi que votre carte d'enregistrement d'achat ou tout autre justificatif de la date d'achat initiale à tout revendeur de Produit Mécanique Honda autorisé par Honda à vendre et à réparer ce produit Honda durant ses heures normales d'ouverture. Les demandes de réparation ou de réglage jugées nécessaires uniquement en raison de défauts de matériel ou de main-d'œuvre ne pourront pas être refusées au motif que le moteur n'a pas été correctement entretenu ou utilisé.

Si vous ne parvenez pas à obtenir de service dans le cadre de la garantie ou n'êtes pas satisfait du service obtenu, veuillez communiquer avec le propriétaire de la concession concernée. Ceci devrait normalement résoudre votre problème. Toutefois, si une assistance supplémentaire est nécessaire, veuillez écrire à ou appeler Honda Power Equipment Customer Relations Department dans votre région.

Exclusions:

Les pannes autres que celles résultant de défauts de matériel ou de main-d'œuvre ne sont pas couvertes par la présente garantie. Cette garantie ne couvre pas les pièces ou systèmes antipollution qui ont été altérés ou endommagés en raison d'emploi abusif, négligence, défaut d'entretien, abus, emploi d'un mauvais carburant, entreposage incorrect, ou collision, incorporation ou utilisation de pièces supplémentaires ou modifiées, accessoires inadaptés ou modification non autorisée d'une quelconque pièce par le propriétaire.

Cette garantie ne couvre pas le remplacement d'articles consommables effectué dans le cadre des opérations d'entretien normalement prévues au-delà du premier délai de remplacement de l'article indiqué dans la section entretien du manuel de l'utilisateur du produit, notamment : bougies et filtres.

Clause de non responsabilité pour les dommages consécutifs et limite des garanties implicites:

American Honda Motor Co., Inc. et Honda Canada Inc. déclinent toute responsabilité pour les dommages indirects ou consécutifs, notamment perte de temps ou d'emploi d'un produit mécanique ou tout préjudice commercial causé par la panne de l'appareil, et toutes les garanties implicites sont limitées à la durée de cette garantie écrite. Cette garantie ne s'applique qu'aux endroits où les réglementations sur la garantie des systèmes de antipollution de l'état de Californie, de l'U.S. EPA ou d'Environnement Canada sont en vigueur.

PIÈCES COUVERTES PAR LA GARANTIE DU SYSTÈME ANTIPOLLUTION :

SYSTÈMES COUVERTS PAR CETTE GARANTIE:	DESCRIPTION DES PIÈCES:
Alimentation en carburant	Carburateur, (inclut le système d'enrichissement au démarrage), capteur de température du moteur, module de contrôle du moteur, injecteur de carburant, régulateur de carburant, tubulure d'admission
Recyclage des vapeurs de carburant	Réservoir d'essence, bouchon d'essence, tuyaux souples de carburant, tuyaux souples pour vapeurs d'essence, absorbeur de vapeurs d'essence, supports de montage de l'absorbeur, filtre à essence, robinet d'essence, pompe à essence, joint de tuyau souple de carburant, joint de tuyau de purge de l'absorbeur
Échappement	Convertisseur catalytique, tuyau d'échappement, silencieux (avec catalyseur)
Admission d'air	Boîtier du filtre à air, élément filtrant *
Allumage	Volant moteur, magnéto à volant d'inertie, capteur de position du vilebrequin, bobine d'alimentation, générateur d'impulsions d'allumage, bobine d'allumage, module de commande d'allumage, capuchon de bougie, bougie *
Le Contrôle d'Emission de carter	Tube du reniflard de carter, ensemble de reniflard, bouchon de réservoir
Pièces diverses	Tubes, raccords, joints, garnitures et colliers de serrage associés aux systèmes indiqués.

Remarque: Cette liste s'applique aux pièces fournies par Honda et ne couvre pas les pièces fournies par l'équipementier. Veuillez consulter la garantie de l'équipementier sur les émissions pour les pièces non fabriquées par Honda.

* Couverts seulement jusqu'au premier délai de remplacement. Voir le CALENDRIER D'ENTRETIEN (page 21).

MANUAL DEL PROPIETARIO

GCV160 • GCV190



(El aspecto puede variar en la aplicación final)

⚠ WARNING

Gasoline is highly flammable and explosive. Turn engine off and let cool before refueling.

The engine emits toxic carbon monoxide. Do not run in an enclosed area.

Read Owner's Manual before operation.

Honda Motor Co., Ltd.



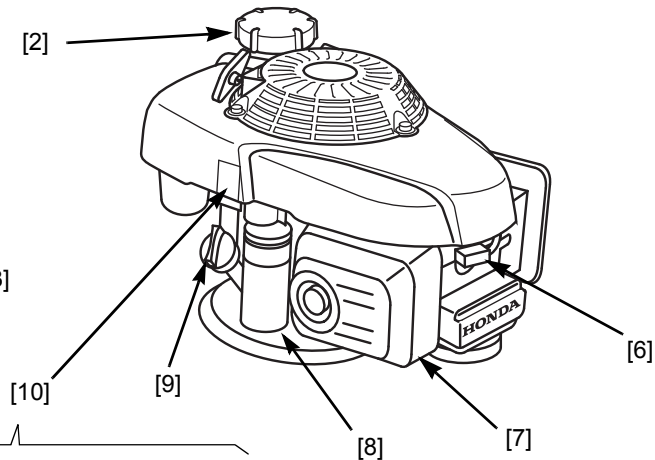
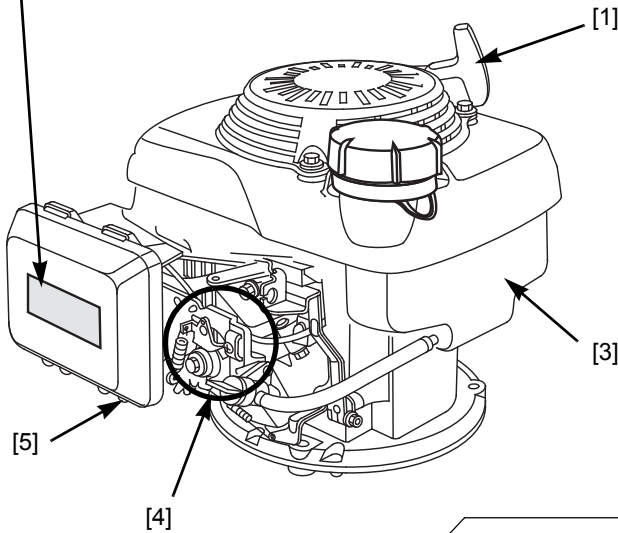
ADVERTENCIA:



Los gases de escape de este producto contienen agentes químicos que, según el Estado de California, causan cáncer, defectos de nacimiento u otros efectos perjudiciales reproductivos.

Proposición 65 de California

Este producto contiene o emite agentes químicos que, según el Estado de California, causan cáncer, defectos de nacimiento u otros efectos perjudiciales reproductivos.



UBICACIÓN DE LOS COMPONENTES

1	Tapa del tanque de combustible
2	Empuñadura del arrancador
3	Tanque de combustible
4	Área de control del motor *
5	Filtro de aire

6	Bujía
7	Silenciador
8	Motor de arranque (si está equipado)
9	Tapa/varilla medidora del nivel de aceite
10	Número de serie y tipo de motor

* El área de control del motor varía según el tipo de motor. Consulte las figuras a en página 2 determinar el tipo de control del motor cuando lea la sección *Operación* y otras secciones en este manual.

INTRODUCCIÓN

Gracias por comprar un motor Honda. Queremos ayudarlo a que obtenga los mejores resultados del nuevo motor, y a que lo opere con seguridad. Este manual contiene información acerca de cómo hacerlo. Léalo con atención antes de operar el motor. Si se le presenta un problema, o si tiene cualquier pregunta acerca del motor, consulte al servicio técnico de su concesionario Honda autorizado.

Toda la información de esta publicación está basada en la información más reciente sobre el producto disponible en el momento de la impresión. Honda Motor Co., Inc. se reserva el derecho a realizar cambios en cualquier momento, sin aviso previo y sin incurrir en ninguna obligación. Está prohibido reproducir cualquiera de las secciones de esta publicación sin contar con un permiso por escrito.

Este manual debe considerarse una pieza permanente del motor y debe permanecer con éste cuando se vuelva a vender.

Revise las instrucciones que vienen con el equipo propulsado por este motor para obtener cualquier información adicional acerca del arranque, apagado, operación, ajuste o cualquier otra instrucción especial de mantenimiento.

CONTENIDOS




MENSAJES DE SEGURIDAD	34
COMPROBACIONES ANTES DE LA OPERACIÓN	34
OPERACIÓN	35
ARRANQUE/PARAR DE UN MOTOR (TODOS LOS TIPOS)	35
SERVICIO DEL MOTOR	36
PRECAUCIONES DE SEGURIDAD	37
PROGRAMA DE MANTENIMIENTO	37
REABASTECIMIENTO	37
ACEITE DE MOTOR	38
FILTRO DE AIRE	38
BUJÍA	39
INSPECCIÓN DEL FRENO DEL VOLANTE (si está equipado)	39
SUPRESOR DE CHISPAS (si está equipado)	39
ALMACENAJE DEL MOTOR	39
TRANSPORTE	40
OCUPARSE DE PROBLEMAS INESPERADOS	40
INFORMACIÓN TÉCNICA	40
EVITANDO PROBLEMAS RELACIONADOS CON EL COMBUSTIBLE	43
INFORMACIÓN DE SERVICIO EN CLIENTE DE MEXICO, AMÉRICA CENTRAL Y AMÉRICA DEL SUR	44
INFORMACIÓN SOBRE LA GARANTÍA	Última página

MENSAJES DE SEGURIDAD

Es muy importante garantizar su seguridad y la de los demás. Hemos proporcionado importantes mensajes de seguridad en este manual y en el motor mismo. Léalos con atención.

Los mensajes de seguridad lo alertan de peligros potenciales que puedan herirlo a usted o a los demás. Todos los mensajes de seguridad están precedidos de un símbolo de alerta de seguridad ▲ y de una de las tres palabras indicadoras, PELIGRO, ADVERTENCIA o PRECAUCIÓN.

Estas palabras indicadoras significan lo siguiente:

 PELIGRO	Usted MORIRÁ o SE LASTIMARÁ GRAVE-MENTE si no sigue las instrucciones.
 ADVERTENCIA	Usted PUEDE MORIR o LASTIMARSE GRAVE-MENTE si no sigue las instrucciones.
 PRECAUCIÓN	Usted PUEDE LASTIMARSE si no sigue las instrucciones.

Cada mensaje le dice de lo que se trata el peligro, lo que puede pasar, y lo que usted puede hacer para evitar la lesión o reducirla.

MENSAJES DE PREVENCIÓN DE DAÑOS

También verá otros mensajes importantes, precedidos de la palabra AVISO.

Esta palabra significa:

AVISO

El motor u otra propiedad puede resultar dañada si no siguen las instrucciones.

El propósito de dichos mensajes es ayudarlo a prevenir los daños a su motor, a otros bienes o al medio ambiente.

INFORMACIÓN DE SEGURIDAD

- Comprenda el funcionamiento de todos los controles y aprenda a parar el motor rápidamente en caso de emergencia. Asegúrese de que el operador reciba las instrucciones adecuadas antes de operar el equipo.
- No permita que los niños operen el motor. Mantenga a los niños y animales apartados del lugar de operación.
- El escape del motor contiene el peligroso monóxido de carbono. No ponga en marcha el motor sin una adecuada ventilación, y nunca lo haga en interiores.
- El motor y el escape se calientan considerablemente durante su funcionamiento. Mantenga el motor por lo menos a 1 metro de las construcciones y de otros equipos durante la operación. Mantenga lejos los materiales inflamables, y no ponga nada encima del motor mientras está en marcha.

SITUACIÓN DE LAS ETIQUETAS DE SEGURIDAD

Esta etiqueta le avisa sobre peligros potenciales que pueden ocasionar heridas graves. Léala detenidamente.

Si la etiqueta se despegue o si resulta difícil de leer, solicite su reemplazo a su concesionario de servicio Honda.

COMPROBACIONES ANTES DE LA OPERACIÓN

¿EL MOTOR ESTÁ LISTO PARA PARTIR?

Para su seguridad, para asegurar el cumplimiento de la normativa ambiental, y para maximizar la vida útil del equipo, es muy importante tomarse unos minutos antes de operar el motor para comprobar su condición. Asegúrese de ocuparse de cualquier problema que encuentre, o haga que el servicio técnico de su concesionario lo corrija, antes de operar el motor.

▲ ADVERTENCIA

El mantenimiento inadecuado de este motor, o no corregir un problema antes de operarlo, puede causar una falla por la cual usted puede resultar gravemente herido o morir. Siempre realice una inspección previa a cada operación y corrija cualquier problema.

Antes de comenzar sus comprobaciones previas a la operación, asegúrese de que el motor esté nivelado, y de que la palanca de freno del volante, palanca del acelerador, interruptor de paro del motor está en la posición de PARADA o APAGADO.

Siempre compruebe los siguientes puntos antes de arrancar el motor:

1. Nivel de combustible (consulte la [página 37](#)).
2. Nivel de aceite (consulte la [página 38](#)).
3. Filtro de aire (consulte la [página 38](#)).
4. Inspección general: Compruebe si hay pérdidas de combustible o piezas dañadas.
5. Compruebe el estado del equipo propulsado por este motor.

Revise las instrucciones que vienen con el equipo propulsado por este motor por si hay cualquier precaución o procedimientos que se deban seguir antes de arrancar el motor.

OPERACIÓN

PRECAUCIONES DE MANEJO SEGURO

Antes de arrancar el motor por primera vez, revise la sección *INFORMACIÓN DE SEGURIDAD* y las *COMPROBACIONES ANTES DE LA OPERACIÓN* arriba en la [página 34](#).

Por su seguridad, no utilice el motor en áreas cerradas, por ejemplo, en las cocheras. Los gases emitidos por el escape del motor contienen monóxido de carbono venenoso que puede acumularse rápidamente en las áreas cerradas y producir malestares o incluso la muerte.

ADVERTENCIA

El gas de monóxido de carbono es tóxico. Respirarlo puede causar inconsciencia y hasta la muerte.

Evite toda área o acción que lo exponga al monóxido de carbono.

Revise las instrucciones que vienen con el equipo propulsado por este motor por si se debe tomar cualquier precaución de seguridad respecto del arranque, el apagado y la operación del motor.

No haga funcionar el motor en pendientes mayores que 20°.

ARRANQUE/PARAR DE UN MOTOR (TODOS LOS TIPOS)

Ver las figuras en la [página 2](#) para identificar el tipo de control utilizado en su equipo. Tipo concretas de inicio y parada información se puede encontrar después de la información general que se muestra a continuación.

- **Válvula de Combustible ABIERTA:** Gire la válvula de combustible [1] a la posición ABIERTA.
- **Cebador Manual:** Mueva la varilla cebador/palanca a la posición CEBADOR (motor frío).
Mueva la varilla cebador/palanca a la posición APAGADO apenas el motor se haya calentado lo suficiente como para funcionar sin problemas, sin usar el cebador.
- **Motor Velocidad:** Para un mejor rendimiento del motor, se recomienda operar el motor con el acelerador en la posición RÁPIDO (o alto).
- **Empuñadura del Arrancador:** Tire suavemente de la empuñadura del arrancador hasta que sienta resistencia. Entonces tire con fuerza.

AVISO

No permita que la empuñadura del arrancador se vuelva a enrollar de golpe en el motor. Regréselo suavemente para evitar daños en el motor de arranque.

Para asegurar un reencendido fácil y el máximo rendimiento del Auto Choke System™, después de encender un motor frío, permita que el motor funcione durante un lapso mínimo de tres minutos antes de apagarlo. Este tiempo mínimo de funcionamiento será más largo si la temperatura es inferior a 21 °C.

- **Válvula de Combustible CERRADA:** Después de parar el motor, gire la válvula de combustible a la posición CERRADA.
Si el equipo no se utilizará durante 3 ó 4 semanas, recomendamos agotar el combustible del carburador del motor. Puede hacerlo dejando la válvula de combustible APAGADA, encendiendo nuevamente el motor y agotando el combustible. El tiempo de funcionamiento debe ser menor que 3 minutos.

Consulte el número de tipo de su motor, y el gráfico cooresponding en la [página 2](#).

Tipo 1: Freno Del Volante, Cebador/Aceleración Remota

ARRANQUE DE UN MOTOR

1. Mueva el control del cebador/acelerador* [2] a la posición CEBADOR.
2. Mueva la palanca del freno del volante* [3] a la posición MARCHA.
3. Tire suavemente de la empuñadura del arrancador hasta que sienta resistencia. Entonces tire con fuerza.
4. Mueva el control del cebador/acelerador* [2] a la posición RÁPIDO.

PARAR EL MOTOR

1. Mueva el control del cebador/acelerador* [2] a la posición LENTO.
2. Suelte la palanca de freno del volante* [3] para parar el motor.

Tipo 2: Freno Del Volante, Aceleración Remota, Automático Cebador

ARRANQUE DE UN MOTOR

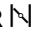
1. Mueva la palanca del acelerador* [2] a la posición RÁPIDO.
2. Mueva la palanca del freno del volante* [3] a la posición MARCHA.
3. Tire suavemente de la empuñadura del arrancador hasta que sienta resistencia. Entonces tire con fuerza.

PARAR EL MOTOR

1. Mueva la palanca del acelerador* [2] a la posición de PARADA.
2. Suelte la palanca de freno del volante* [3] para parar el motor.

Tipo 3: Freno Del Volante, Aceleración Fija, Retorno Automático Del Cebador

ARRANQUE DE UN MOTOR

1. Mueva la palanca del cebador [2] a la posición CEBADOR .
La palanca del cebador vuelve automáticamente a la posición CERRADO (OFF) 3 a 4 segundos después de que el freno del volante se mueve a la posición MARCHA (RUN). Restablecer el estrangulador si el motor no arranca dentro de este plazo.
2. Mueva la palanca del freno del volante* [3] a la posición MARCHA.
3. Tire suavemente de la empuñadura del arrancador hasta que sienta resistencia. Entonces tire con fuerza.
La aceleración está preajustada en este tipo.

PARAR EL MOTOR

Suelte la palanca de freno del volante* [3] para parar el motor.

Tipo 4: Freno Del Volante, Automático Cebador, Aceleración Fija

ARRANQUE DE UN MOTOR

1. Mueva la palanca del freno del volante* [3] a la posición MARCHA.
2. Tire suavemente de la empuñadura del arrancador hasta que sienta resistencia. Entonces tire con fuerza.

PARAR EL MOTOR

Suelte la palanca de freno del volante* [3] para parar el motor.

Tipo 5: Freno De Cuchillas, Cebador/Aceleración Remota

ARRANQUE DE UN MOTOR

1. Mueva el control del cebador/acelerador* [2] a la posición CEBADOR.
2. Asegúrese de que la palanca de control de cuchillas* esté desenganchada.

3. Tire suavemente de la empuñadura del arrancador hasta que sienta resistencia. Entonces tire con fuerza.

* Consulte el manual del equipo.

4. Mueva lentamente la palanca del cebador/acelerador* [2] a posición RÁPIDO. Permita que el motor se caliente a temperatura de funcionamiento, y luego enganche la palanca de control de cuchillas*.

PARAR EL MOTOR

1. Desenganche la palanca de control del freno de cuchillas*.
2. Mueva la palanca del cebador/acelerador* [2] a la posición LENTO, y deje que el motor quede en ralentí por algunos segundos y mueva la palanca del cebador/acelerador/parada a la posición de PARAD.

Tipo 6: Freno De Cuchillas, Automático Cebador, Aceleración Remota

ARRANQUE DE UN MOTOR

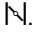

1. Mueva lentamente la acelerador* [2] a la posición RÁPIDO.
2. Asegúrese de que la palanca de control de cuchillas* esté desenganchada.
3. Tire suavemente de la empuñadura del arrancador hasta que sienta resistencia. Entonces tire con fuerza.
4. Permita que el motor se caliente a temperatura de funcionamiento, y luego enganche la palanca de control de cuchillas*.

PARAR EL MOTOR

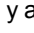

1. Desenganche la palanca de control del freno de cuchillas*.
2. Mueva la palanca del acelerador* [2] a la posición LENTO, y deje que el motor quede en ralentí por algunos segundos y mueva la palanca del acelerador a la posición PARAD.

Tipo 7: Control Manual, Aceleración Manual

ARRANQUE DE UN MOTOR

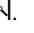
1. Mueva la palanca del cebador [2] a la posición ENCENDIDO .
2. Mueva la palanca del acelerador [3] a la posición RÁPIDO .
3. Tire suavemente de la empuñadura del arrancador hasta que sienta resistencia. Entonces tire con fuerza.
4. Mueva la palanca del cebador a la posición APAGADO apenas el motor se haya calentado lo suficiente como para funcionar sin problemas, sin usar el cebador.

PARAR EL MOTOR

Mueva la palanca del acelerador [3] a la posición de LENTO  y a la posición de PARADA .

Tipo 8: Cebador Manual, Interruptor de Paro del Motor, Aceleración Fija

ARRANQUE DE UN MOTOR

1. Mueva la varilla del cebador [2] a la posición ABIERTA .
2. Gire el interruptor de paro del motor [3] a la posición de ENCENDIDO.
3. Tire suavemente de la empuñadura del arrancador hasta que sienta resistencia. Entonces tire con fuerza.
La aceleración está preajustada en este motor.
4. Mueva la varilla del cebador [2] a la posición APAGADO.

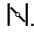
PARAR EL MOTOR

Gire el interruptor de paro del motor [3] a la posición de APAGADO

* Consulte el manual del equipo.

Tipo 9: Cebador Manual, Interruptor de Paro del Motor, Aceleración Automático

ARRANQUE DE UN MOTOR

1. Mueva la varilla del cebador [2] a la posición ABIERTA .
2. Gire el interruptor de paro del motor [3] a la posición de ENCENDIDO.
3. Tire suavemente de la empuñadura del arrancador hasta que sienta resistencia. Entonces tire con fuerza.
4. Mueva la varilla del cebador [2] a la posición APAGADO.

El aceleración automático sólo funciona cuando el motor está completamente caliente.

PARAR EL MOTOR

1. Quite la carga del motor de manera que el aceleración automático coloque al motor en ralentí.
2. Gire el interruptor de para del motor [3] a la posición de APAGADO.

SERVICIO DEL MOTOR

LA IMPORTANCIA DEL MANTENIMIENTO

El buen mantenimiento es fundamental para una operación segura, económica y sin problemas. También ayuda a disminuir la polución.

ADVERTENCIA

El mantenimiento inadecuado, o no corregir un problema antes de operarlo, puede causar una falla por cual usted puede resultar gravemente herido o morir.
Siempre siga las recomendaciones de inspección y mantenimiento de este manual del propietario.

Para ayudarlo a cuidar adecuadamente del motor, las siguientes páginas incluyen un programa de mantenimiento, procedimientos de inspección de rutina, y procedimientos simples de mantenimiento con herramientas de mano básicas. Otras tareas de servicio más difíciles, o que requieran de herramientas especiales, se manejan mejor en manos de profesionales, y las realizan normalmente técnicos de Honda y otros mecánicos calificados.

El programa de mantenimiento se aplica a condiciones normales de operación. Si opera el motor en condiciones difíciles, como una operación en constante sobrecarga o alta temperatura, o en condiciones anormalmente húmedas o polvorientas, consulte al servicio técnico de su concesionario sobre recomendaciones que se apliquen a sus necesidades y a su uso individuales.

Recuerde que su concesionario Honda autorizado conoce mejor el motor, y que está totalmente equipado para realizarle mantenimiento y repararlo.

Para asegurar la mejor calidad y confiabilidad, sólo use piezas originales Honda nuevas u otras equivalentes para la reparación y cambio.

El mantenimiento, cambio o reparación de los dispositivos y sistemas de control de emisiones, lo puede hacer cualquier establecimiento o individuo que repare motores, usando partes que estén "certificadas" según los estándares de la EPA.

SEGURIDAD DEL MANTENIMIENTO

A continuación se presentan algunas de las precauciones de seguridad más importantes. Sin embargo, nos es imposible advertirle acerca de todos y cada uno de los peligros posibles que pueden

surgir al llevar a cabo el mantenimiento. Sólo usted puede decidir si debería o no realizar una tarea específica.

⚠️ ADVERTENCIA

La falta de cumplimiento con las instrucciones y las precauciones de mantenimiento puede causarles lesiones o la muerte.

Siempre siga cuidadosamente los procedimientos y observe las precauciones contenidas en este manual del propietario.

PRECAUCIONES DE SEGURIDAD

- Asegúrese que el motor está apagado antes de comenzar cualquier mantenimiento o reparación. Esto le ayudará a eliminar varios peligros potenciales:
 - **Envenenamientos por monóxido de carbono proveniente del escape del motor.**
Cerciórese de que el lugar en el que opera esté lo suficientemente ventilado el motor.
 - **Quemaduras causadas por piezas calientes.**
Deje enfriar el motor y el sistema de escape antes de tocarlos.
 - **Lesiones provocadas por piezas en movimiento.**
No ponga en marcha el motor a menos que se le indique hacerlo.
- Lea las instrucciones antes de comenzar y asegúrese que tiene las herramientas y habilidades necesarias.
- Para reducir la posibilidad de que se produzca un incendio o una explosión, tenga cuidado cuando trabaje cerca de gasolina. Use solamente un solvente no inflamable para limpiar las piezas. No use gasolina. Mantenga todas las piezas relacionadas con el combustible fuera del alcance de los cigarrillos, las chispas y las llamas.

PROGRAMA DE MANTENIMIENTO

Realizar cada mes/años o intervalo de horas de funcionamiento indicado, según cuál ocurra primero. ⁽¹⁾

Período de Servicio Regular	Elemento	Página
Antes de cada uso	Revisar: Aceite de motor Revisar: Filtro de aire	página 38 página 38
Primer mes o 5 h.	Cambiar: Aceite de motor	página 38
Cada 3 meses o 25 horas	Limpia: Filtro de aire ⁽²⁾	página 38
Cada 6 meses o 50 horas	Cambiar: Aceite de motor ⁽³⁾ Limpia: Filtro de aire ⁽²⁾ Revisar: Pastilla de freno del volante (si está equipado)	página 38 página 38 página 39
Cada año o 100 horas	Artículos 6-meses anteriores más: Revisar-Ajustar: Bujía Limpia: Supresor de chispas (si está equipado) Revisar: Freno de cuchillas (si está equipado) Revisar-Ajustar: Velocidad en vacío Limpiar: Tanque y filtro de combustible Revisar-Ajustar: Tolerancia de válvula	página 39 página 39 (5) (4) (4) (4)

Período de Servicio Regular	Elemento	Página
Cada dos años o 200 horas	Artículos anual anterior más: Reemplazar: Filtro de aire Reemplazar: Bujía	página 38 página 39
Cada 2 años	Revisar: Línea de combustible (reemplazar si hace falta)	(4)

- (1) Para uso comercial, registre las horas de funcionamiento para determinar los intervalos de mantenimiento adecuados.
- (2) Realice el servicio con más frecuencia cuando se usa en áreas polvorientas.
- (3) Cambie el aceite del motor cada 25 horas cuando se use bajo fuerte demanda o con alta temperatura ambiental.
- (4) El servicio técnico de su concesionario Honda autorizado debe realizar el servicio a estos artículos, a menos que sea eficiente en las operaciones mecánicas y que tenga las herramientas adecuadas. Consulte el manual del taller Honda para obtener los procedimientos de servicio.
- (5) Consulte el manual del equipo o el manual del taller del motor Honda.

Si no sigue este programa de mantenimiento pueden producirse fallas que no entran en la garantía.

REABASTECIMIENTO

Este motor está homologado para utilizar gasolina sin plomo con:

- 86 octanos de bomba o superior
- 91 octanos de investigación o superior

Se recomienda llenar el tanque después de cada uso para minimizar el aire presente en el tanque de la gasolina.

Eche gasolina en un área bien ventilada y con el motor parado. Si el motor ha estado funcionando, deje que se enfríe primero. No eche gasolina a la máquina en el interior de un edificio donde los vapores de la gasolina puedan estar expuestos a alguna llama o chispa.

Puede usar gasolina ordinaria sin plomo que no contenga más del 10% de etanol (E10) o del 5% de metanol por volumen. Asimismo, el metanol debe contener cosolventes e inhibidores de corrosión. El uso de combustibles con un contenido de metanol superior al mostrado anteriormente puede ocasionar problemas de arranque o de funcionamiento. También puede dañar las piezas de metal, goma y plástico del sistema de combustible. Además, el etanol es higroscópico, lo que significa que atrae y retiene agua en el sistema de combustible. El daño al motor o los problemas de funcionamiento que resulten del uso de un combustible con porcentajes de etanol o metanol superiores a los mostrados anteriormente no están cubiertos por la garantía.

Si no se va a utilizar el equipo frecuentemente o de manera continua, (más de 4 semanas entre cada uso) consulte la sección Ver “EVITANDO PROBLEMAS RELACIONADOS CON EL COMBUSTIBLE” en página 43 para obtener más información sobre el deterioro del combustible.

No use nunca gasolina rancia o contaminada ni mezclas de aceite y gasolina. No permita que entre suciedad o agua en el tanque de combustible.

⚠️ ADVERTENCIA

La gasolina es altamente inflamable y explosiva y usted puede quemarse o lesionarse gravemente al reabastecer.

- Pare el motor y dejar que se enfríe.
- Mantener el calor, chispas o llamas.
- Manejar el combustible sólo al aire libre.
- Limpie los derrames inmediatamente.

Agregar combustible

Consulte Figura 1, [página 3](#).

1. Quite la tapa del tanque de combustible.
2. Agregue combustible hasta la parte inferior del límite de nivel de combustible en el tubo del tanque [1]. No llene de más. Limpie el combustible derramado antes de arrancar el motor.
3. Apriete el tapón firmemente.
Antes de arrancar el motor, aléjese al menos 3 metros del emplazamiento y la fuente de la gasolina.

AVISO

El combustible puede dañar la pintura y algunos tipos de plástico. Tenga cuidado de no derramar combustible cuando llena el tanque. El daño causado por el combustible derramado no está cubierto por la GARANTÍA LIMITADA DE SU DISTRIBUIDOR.

ACEITE DE MOTOR

El aceite es un factor muy importante que afecta el rendimiento y la vida de servicio. Emplee aceite detergente para automóviles de 4 tiempos. Siempre cambiar el aceite de conformidad con el programa de mantenimiento ([página 37](#)).

Aceite recomendado

Consulte Figura 2, [página 3](#).

Use aceite para motor de 4 tiempos que cumpla o sobrepase los requisitos para la clasificación de servicio API SJ o equivalente. Compruebe siempre la etiqueta de servicio API en el recipiente del aceite para asegurarse que incluye las letras SJ o equivalente.

Para un uso general se recomienda SAE 10W-30. Las demás viscosidades que aparecen en la tabla pueden ser usadas cuando la temperatura promedio en el área se encuentra entre los parámetros indicados.

Revisión del nivel de aceite

Consulte Figuras 2, 3, [página 3](#).

1. Revise el aceite con el motor parado y nivelado.
2. Quite la tapa del depósito de aceite/varilla medidora del nivel de aceite [1] y límpiela.
3. Inserte la tapa del depósito de aceite/varilla medidora del nivel de aceite en el tubo de llenado de éste como se muestra, pero no la atornille, luego quítela para revisar el nivel de aceite.
4. Si el nivel de aceite está cerca o por debajo de la marca de límite bajo [2] de la varilla medidora del nivel de aceite, quite la tapa del depósito de aceite/varilla medidora del nivel de aceite y llénelo con el aceite recomendado hasta la marca de límite superior [3]. No llene de más.
5. Vuelva a instalar la tapa/varilla medidora del nivel de aceite [1].

Cambio de aceite

Consulte Figura 3, [página 3](#).

Drene el aceite del motor cuando éste se encuentre caliente. El aceite caliente se drena rápida y completamente.

1. Gire la válvula de combustible a la posición CERRADA para disminuir la posibilidad de pérdida de combustible.
2. Coloque un recipiente adecuado cerca del motor para recoger el aceite usado.
3. Quite la tapa/varilla medidora del nivel de aceite [1] y drene el aceite al recipiente inclinando el motor hacia el tubo de llenado del aceite [4].

Elimine el aceite de motor usado de una forma que sea compatible con el medio ambiente. Le sugerimos que lleve el aceite usado en un recipiente sellado al centro de reciclaje local o estación de servicio para su recuperación. No lo tire a la basura ni vierta en el suelo o en el desagüe.

4. Con el motor en una posición nivelada, llene hasta la marca de límite alto [3] en la varilla medidora del nivel de aceite con el aceite recomendado (consulte más arriba).

Cantidad de relleno: 0,35 ~ 0,41 L

AVISO

Poner en marcha el motor con un nivel de aceite bajo puede causar daños en el motor.

5. Vuelva a instalar bien la tapa/varilla medidora del nivel de aceite [1].

FILTRO DE AIRE

El mantenimiento adecuado del filtro de aire ayudará a evitar que ingrese suciedad en el motor. La suciedad que ingresa en el carburador puede ser absorbida por pequeños conductos que se encuentran dentro de éste y ocasionar el desgaste prematuro del motor. Tales conductos pequeños pueden obstruirse, lo que provoca problemas de encendido o funcionamiento.

AVISO

Operar el motor sin filtro o con el filtro dañado, permitirá que la suciedad entre al motor, causando un rápido desgaste de éste. Este tipo de daño no está cubierto por la Garantía limitada de su distribuidor.

Recomendamos el uso de filtros de aire genuinos de Honda, a fin de garantizar que tanto el sello del filtro como su desempeño sean los de diseño. El uso de filtros de aire distintos de los de Honda puede permitir el paso de partículas de suciedad, y causar daños al motor y al sistema de combustible.

Inspección

Consulte Figura 4, [página 3](#).

1. Presione las lengüetas de enganche [1] de la parte superior de la cubierta del filtro de aire [2] y quítela. Revise el filtro [3] para asegurarse que está limpio y en buen estado.
2. Vuelva a instalar el filtro de aire y su cubierta.

Limpieza

Consulte Figura 4, [página 3](#).

1. Golpee ligeramente el filtro varias veces sobre una superficie dura para quitar la suciedad o sople aire comprimido [que no sobrepase las 207 kPa a través del filtro desde el lado limpio que enfrenta al motor. Nunca intente quitar la suciedad con una escobilla. El escobillado forzaría la suciedad dentro de las fibras.
2. Limpie la suciedad del cuerpo y de la cubierta del filtro de aire [4] usando una alfombrilla húmeda. Tenga cuidado de evitar que la suciedad entre al conducto de aire [5] que lleva al carburador.

BUJÍA

Consulte Figura 5, [página 3](#).

Bujía necesario:

NGK BPR6ES (aplicaciones de lavado a presión)

NGK BPR5ES (demás aplicaciones)

La bujía necesario tiene la gama térmica correcta para las temperaturas normales de funcionamiento del motor.

AVISO

Las bujías incorrectas pueden causar daños en el motor.

Para un buen funcionamiento, la bujía debe estar adecuadamente abierta y libre de depósitos.

1. Desconecte el capuchón de la bujía y retire cualquier suciedad del área de ésta.
2. Use la llave de bujías [1] del tamaño adecuado para extraerla.
3. Inspeccione la bujía. Reemplácela si está dañada, muy sucia, si la abrazadera [2] está en mal estado o si el electrodo está desgastado.
4. Mida la separación de las puntas del electrodo con un medidor adecuado. La separación correcta es 0,70 ~ 0,80 mm. Si es necesario un ajuste, corrija la separación doblando cuidadosamente el electrodo lateral.
5. Instale la bujía cuidadosamente, a mano, para evitar un mal enrosque.
6. Después que la válvula está asentada, apriétela con la llave de bujías del tamaño adecuado para comprimir la junta. Cuando instale una bujía nueva, apriete 1/2 giro después que la bujía se asienta para comprimir la junta. Cuando vuelva a instalar la bujía original, apriete de 1/8 a 1/4 de giro después que la bujía se asienta para comprimir la junta.

AVISO

Apriete la bujía adecuadamente. Una bujía suelta puede calentarse demasiado y dañar el motor. El apriete excesivo de la bujía puede dañar las roscas en la culata.

7. Coloque el capuchón de la bujía.

INSPECCIÓN DEL FRENO DEL VOLANTE (si está equipado)

Consulte Figuras 6, 7, [página 3](#).

Inicie el exterior del motor. Mueva la palanca a la posición de FAST y soltar el volante de la palanca del freno, el motor debe detenerse de inmediato.

1. Retire las tres tuercas de brida [1] del arrancador manual [2] y extraígalas del motor.
2. Extraiga el tanque de combustible [3] del motor sin desconectar el tubo [4]. Si el tanque contiene combustible, manténgalo nivelado mientras lo extrae y déjelo a un lado del motor en una posición nivelada.
3. Compruebe el espesor de la zapata del freno [5]. Si es menor que 3 mm, lleve el motor al servicio técnico de su concesionario Honda autorizado.
4. Instale el tanque de combustible y el arrancador manual, y apriete bien las tres tuercas.

SUPRESOR DE CHISPAS (si está equipado)

Consulte Figura 8, [página 3](#).

El parachispas puede ser el estándar o uno opcional, dependiendo del tipo de motor. En algunas áreas, es ilegal operar un motor sin un parachispas. Verifique las leyes y regulaciones locales. Los concesionarios de servicio autorizados Honda tienen disponibles parachispas.

Al supresor de chispas se le debe realizar el servicio cada 100 horas para mantenerlo funcionando como se diseñó.

Si el motor ha estado en marcha, el silenciador estará caliente. Deje que se enfríe antes de realizar el servicio del supresor de chispas.

Desmontaje del supresor de chispas

1. Retire los tres pernos [1] de 6 mm del protector del silenciador [2] y extraiga el protector.
2. Retire el tornillo especial [3] del supresor de chispas [4] y extraígalos del silenciador [5].

Limpieza e inspección del supresor de chispas

1. Use un cepillo para quitar los depósitos de carbonilla de la pantalla del supresor de chispas. Tenga cuidado de no dañar la pantalla. Reemplace el supresor de chispas si tiene roturas u orificios.
2. La instalación del supresor de chispas se hace en el orden contrario del desmontaje.

ALMACENAJE DEL MOTOR

PREPARACIÓN DEL ALMACENAJE

Una adecuada preparación del almacenaje es esencial para mantener al motor sin averías y con un buen aspecto. Los siguientes pasos ayudarán a que el óxido y la corrosión no afecten ni el funcionamiento ni la apariencia del motor, y harán que el motor arranque más fácilmente cuando lo vuelva a usar.

Limpieza

Si el motor ha estado en marcha, déjelo enfriar por al menos media hora antes de limpiarlo. Limpie todas las superficies exteriores, retoque cualquier pintura dañada y cubra con una fina capa de aceite otras áreas que se pueden oxidar.

AVISO

Usar una manguera de jardín o un equipo de lavado a presión puede forzar agua dentro de las aberturas de filtro de aire y del silenciador. El agua en el filtro de aire lo empapará y el agua que pase a través del filtro de aire o del silenciador puede entrar al cilindro, causando daños.

Combustible

Consulte la sección Ver “EVITANDO PROBLEMAS RELACIONADOS CON EL COMBUSTIBLE” en [página 43](#) para una lista de los procedimientos recomendados para evitar problemas relacionados con el combustible.

Aceite del motor

1. Cambie el aceite del motor (consulte la [página 38](#)).
2. Retire la bujía (consulte la [página 39](#)).
3. Vierta 5 ~ 10 cc de aceite de motor limpio en el cilindro.
4. Tire del arrancador manual varias veces para distribuir el aceite.
5. Vuelva a instalar la bujía.

Precauciones del almacenaje

Si el motor va a ser almacenado con gasolina en el tanque de combustible y en el carburador, es importante disminuir el peligro del encendido de los vapores de la gasolina. Seleccione un área de almacenaje bien ventilada lejos de cualquier aparato que funcione con fuego, como una caldera, un calentador de agua o un secador de ropa. Evite también cualquier área con un motor eléctrico que produzca chispas o donde funcionen herramientas mecánicas.

Si es posible, evite áreas de almacenaje con una alta humedad, porque promueve el óxido y la corrosión.

Si hay gasolina en el tanque de combustible, deje la válvula de combustible en la posición CERRADA.

Mantenga el motor nivelado en el almacenaje. La inclinación puede causar pérdidas de combustible o de aceite.

Cuando el motor y el sistema de escape estén fríos, cubra el motor para protegerlo del polvo. Un motor y un sistema de escape calientes pueden encender o derretir algunos materiales. No use láminas de plástico como cubierta guardapolvo. Una cubierta no porosa atraparà la humedad alrededor del motor, promoviendo el óxido y la corrosión.

Retiro del almacenaje

Compruebe el motor según se describe en la sección **COMPROBACIONES ANTES DE LA OPERACIÓN** de este manual (consulte la [página 34](#)).

Si se drenó el combustible durante la preparación del almacenaje, llene el tanque con gasolina fresca. Si usted mantiene un recipiente con gasolina para el reabastecimiento, asegúrese que sólo contiene gasolina fresca. La gasolina se oxida y deteriora con el tiempo, causando dificultades en el arranque.

Si cubrió el cilindro con aceite durante la preparación del almacenaje, el motor brevemente lanzará humo al arrancar. Esto es normal.

TRANSPORTE

Mantenga nivelado el motor al transportarlo para disminuir la posibilidad de pérdida de combustible. Gire la válvula de combustible a la posición CERRADA.

Revise las instrucciones que acompañan al equipo que viene con este motor para cualquier procedimiento que se recomiende en caso de transporte.

OCUPARSE DE PROBLEMAS INESPERADOS

El motor no arranca

CAUSA POSIBLE	CORRECCIÓN
Válvula de combustible CERRADA.	Mueva la palanca a la posición ABIERTA.
Cebador CERRADO.	Mueva la palanca del cebador/acelerador, la varilla del cebador o la palanca del cebador a la posición CEBADOR ABIERTO a menos que el motor esté caliente. (si está equipado)
Interruptor de encendido o interruptor de paro del motor en la posición de APAGADO (OFF).	Mueva la palanca del freno del motor a la posición MARCHA. Palanca del acelerador a la posición RÁPIDO. Interruptor de paro del motor a la posición de ENCENDIDO
Se acabó el combustible.	Reabastecer.
Combustible malo, motor almacenado sin tratar, o reabastecido con gasolina mala.	Reabastezca con gasolina fresca.
Bujía defectuosa, sucia o con una abertura inadecuada.	Cambie la bujía (p. 39).
Bujía mojada con combustible (motor ahogado).	Seque y vuelva a instalar la bujía. Arranque el motor con la palanca del cebador/acelerador en la posición RÁPIDO. Posición del cebador CERRADA.)
Filtro de combustible bloqueado, mal funcionamiento del carburador, del encendido, válvulas trabadas, etc.	Reemplace o repare los componentes defectuosos según sea necesario.

El motor no tiene potencia suficiente

CAUSA POSIBLE	CORRECCIÓN
Filtro bloqueado.	Limpie o reemplace el filtro (p. 38).
Combustible malo, motor almacenado sin tratar, o reabastecido con gasolina mala.	Reabastezca con gasolina fresca.
Filtro de combustible bloqueado, mal funcionamiento del carburador, del encendido, válvulas trabadas, etc.	Reemplace o repare los componentes defectuosos según sea necesario.

INFORMACIÓN TÉCNICA

Ubicación del número de serie y del tipo

Consulte figura [página 1](#).

Registre el número de serie y tipo de motor en el espacio a continuación. Necesitará esta información al pedir piezas o cuando realiza averiguaciones técnicas o sobre la garantía.

MODELO	NÚMERO DE SERIE	TIPO DE MOTOR
GCV160 o 190	_____ - ____	_____
Fecha de adquisición		

Modificaciones al carburador para funcionamiento en altitud elevada

En altitud elevada, la mezcla estándar aire combustible del carburador es muy rica. El rendimiento disminuye y aumenta el consumo de combustible. Una mezcla muy rica también ensucia la bujía y causa un arranque difícil. El funcionamiento, por largos períodos, a una altitud que difiere para la que este motor está certificado, puede aumentar las emisiones.

El rendimiento a una altitud elevada se puede mejorar con modificaciones específicas al carburador. Si siempre opera el motor a altitudes por sobre los 1.500 metros, haga que el servicio técnico de su concesionario lleve a cabo esta modificación del carburador. Este motor, cuando funciona a una altitud elevada con las modificaciones en el carburador para esas altitudes, cumple cada estándar de emisiones a lo largo de su vida útil.

Incluso con la modificación en el carburador, la potencia del motor disminuye cerca de un 3,5% por cada 300 metros de aumento en la altitud. El efecto de la altitud en la potencia será mayor que esto si no se modifica el carburador.

Cuando use motores con aceleración automáticos, es posible que se reduzca la capacidad de ralentizar a 2500 rpm. Consulte a un agente de mantenimiento para obtener más información sobre los ajustes si la unidad del aceleración automático no ralentiza con la carga liberada o si tiene problemas para volver a la cantidad completa de rpm con la carga aplicada.

AVISO

Cuando se modifica el carburador para un funcionamiento a una altitud elevada, la mezcla aire combustible es muy pobre para un uso a altitud normal. El funcionamiento a altitudes por debajo de los 1.500 metros con un carburador modificado puede causar el sobrecalentamiento del motor y tener como resultado graves daños en el motor. Para un uso a altitudes normales, haga que el servicio técnico de su concesionario vuelva al carburador a las especificaciones originales de fábrica.

INFORMACIÓN SOBRE EL SISTEMA DE CONTROL

Fuente de emisiones

El proceso de combustión produce monóxido de carbono, óxidos de nitrógeno e hidrocarburos. El control de los hidrocarburos y los óxidos de nitrógeno es muy importante porque, en ciertas condiciones, reaccionan para formar humo fotoquímico cuando se someten a la luz del sol. El monóxido de carbono no reacciona del mismo modo, pero es tóxico.

Honda utiliza proporciones de aire/combustible apropiadas y otros sistemas de control de emisiones para reducir las emisiones de monóxido de carbono, óxidos de nitrógeno e hidrocarburos.

Asimismo, los sistemas de combustible de Honda utilizan componentes y tecnologías de control para reducir las emisiones evaporativas.

Actas sobre el aire limpio de California, EE.UU., y sobre el medio ambiente de Canadá

Las regulaciones de EPA, de California y Canadá estipulan que todos los fabricantes deben proporcionar instrucciones escritas que describan la operación y el mantenimiento de los sistemas de control de las emisiones de escape.

Las siguientes instrucciones y procedimientos deben seguirse para que las emisiones del motor Honda se mantengan dentro de las normas de emisión.

Manipulaciones y alteraciones

AVISO

La manipulación es una violación de la ley federal y de California.

Las manipulaciones o alteraciones del sistema de control de emisiones podrían aumentar las emisiones más allá del límite legal. Entre los actos que constituyen manipulación se encuentran los siguientes:

- Remoción o alteración de cualquier parte de los sistemas de admisión, combustible o escape.
- Alteración o anulación del varillaje del gobernador o del mecanismo de ajuste de velocidad para hacer que el motor funcione fuera de los parámetros de diseño.

Problemas que podrían afectar las emisiones

Si usted observa cualquiera de los siguientes síntomas en su motor, hágalo examinar y reparar por un concesionario de servicios.

- Dificultad para arrancar o caladas después del arranque.
- Marcha irregular en vacío.
- Fallo de encendido o explosiones al carburador bajo carga.
- Combustión retardada (explosiones al carburador).
- Humo de escape negro o alto consumo de combustible.

Repuestos

Los sistemas de control de emisiones en el motor Honda fueron diseñados, contruidos y certificados para conformarse con los reglamentos de emisiones de la EPA y California. Recomendamos el uso de partes genuinas de Honda cuando se realice mantenimiento. Estos repuestos de diseño original se fabrican según las mismas normas que las partes originales, de modo que usted puede confiar en su rendimiento. El uso de repuestos que no son del diseño y la calidad originales podría menoscabar la eficacia de su sistema de control de emisiones.

El fabricante de una parte posmercado asume la responsabilidad de que la parte no afecte en forma adversa el rendimiento de la emisión. El fabricante o remanufacturador de la parte debe certificar que el uso de la parte no hará que el motor deje de cumplir con los reglamentos de emisión.

Mantenimiento

Siga el programa de mantenimiento en la. Recuerde que este programa se basa en el supuesto que la máquina se utilizará para el

fin designado. El funcionamiento prolongado con cargas altas o a temperaturas altas, o el uso en condiciones más húmedas o polvorientas que de costumbre, requerirá servicio más frecuente.

Índice de aire

Se fija una etiqueta o un rótulo colgante con información del índice de aire a motores certificados para un período de duración de emisiones de acuerdo con los requisitos del Consejo de Recursos Aéreos de California.

El gráfico de barras le provee a usted, nuestro cliente, la capacidad para comparar el rendimiento de las emisiones de los motores disponibles. Cuanto menor es el índice de aire, tanto menor es la contaminación.

La descripción de la duración provee información en cuanto al período de duración de las emisiones del motor. El término descriptivo indica el período de vida útil para el sistema de control de emisiones del motor.

TÉRMINO DESCRIPTIVO	APLICABLE AL PERÍODO DE DURACIÓN DE LAS EMISIONES
Moderado	50 horas (0-80 cc inclusivo) 125 horas (más de 80 cc)
Intermedio	125 horas (0-80 cc inclusivo) 250 horas (más de 80 cc)
Prolongado	300 horas (0-80 cc inclusivo) 500 horas (más de 80 cc) 1000 horas (225 cc y más grande)

ESPECIFICACIONES

GCV160

TIPO	ARRANCADOR MANUAL	ARRANCADOR ELÉCTRICO
Largo x Ancho x Alto	367 x 331 x 360 mm	367 x 354 x 360 mm
Peso en seco *** (sin combustible ni lubricantes)	10,5 kg	11,6 kg
Tipo de motor	4 tiempos, árbol de levas en cabeza, monocilíndrico	
Desplazamiento [Diámetro x Carrera]	160 cm ³ [64 x 50 mm]	
Capacidad de aceite del motor	Motor seco: 0,50 L * Cantidad de relleno: 0,35 ~ 0,41 L	
Capacidad del tanque de combustible	0,93 L	
Consumo de combustible **	1,1 L/h a 3.000 rpm	
Sistema de enfriamiento	Aire forzado	
Sistema de encendido	Magneto transistorizado	
Rotación del eje PTO	Sentido contrario a las agujas del reloj	

GCV190

TIPO	ARRANCADOR MANUAL	ARRANCADOR ELÉCTRICO
Largo x Ancho x Alto	367 x 331 x 368 mm	367 x 354 x 368 mm
Peso en seco *** (sin combustible ni lubricantes)	12,3 kg	13,3 kg
Tipo de motor	4 tiempos, árbol de levas en cabeza, monocilíndrico	
Desplazamiento [Diámetro x Carrera]	187 cm ³ [69 x 50 mm]	
Capacidad de aceite del motor	Motor seco: 0,50 L * Cantidad de relleno: 0,35 ~ 0,41 L	
Capacidad del tanque de combustible	0,93 L	
Consumo de combustible **	1,3 l/h a 3.000 rpm	
Sistema de enfriamiento	Aire forzado	
Sistema de encendido	Magneto transistorizado	
Rotación del eje PTO	Sentido contrario a las agujas del reloj	

* La cantidad real variará debido al aceite residual que permanezca en el motor. Use siempre la varilla indicadora de nivel para [página 38](#).

** El consumo real variará dependiendo de la carga aplicada al motor.

*** Dependiendo del tipo de

Especificaciones del reglaje

ÍTEM	ESPECIFICACIÓN	MANTENIMIENTO
Distancia entre los electrodos	0.70 ~ 0.80 mm	Consultar la página 38 .
Ralentí	1,400 ± 150 rpm 1,700 ± 150 rpm (aceleración fija) 2,500 ± 150 rpm (aceleración automático)	Consulte su distribuidor de Honda autorizado.
Juego de válvulas (frío)	IN: 0.15 ± 0.04 mm EX: 0.20 ± 0.04 mm	

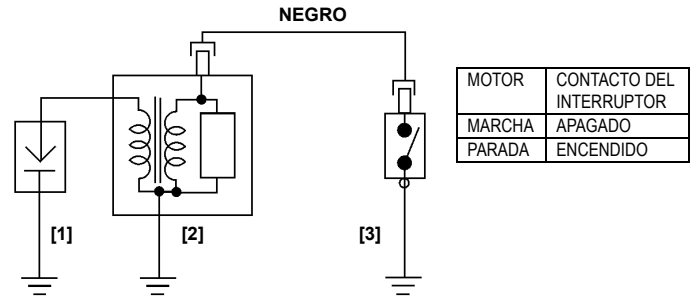
Información de referencia rápida

ÍTEM		DESCRIPCIÓN
Combustible	Tipo	Gasolina sin plomo con un octanaje de 86 o superior. (página 37).
Aceite del motor	Tipo	SAE 10W-30, API SJ, para uso general. Consulte la página 38 . *Cantidad de relleno: 0,35 ~ 0,41 L
Carburador	Ralentí	1.400 ± 150 rpm 1.700 ± 150 rpm (aceleración fija) 2.500 ± 150 rpm (aceleración automático)
Bujía	Tipo	NGK BPR6ES (aplicaciones de lavado a presión) NGK BPR5ES (demás aplicaciones)
Mantenimiento	Antes de cada uso	Compruebe el nivel de aceite del motor. Consulte la página 38 . Compruebe el filtro de aire.
	Primeras 5 horas	Cambie el aceite del motor. Consulte la página 38 .
	Posterior	Consulte el programa de mantenimiento en la página 37 .

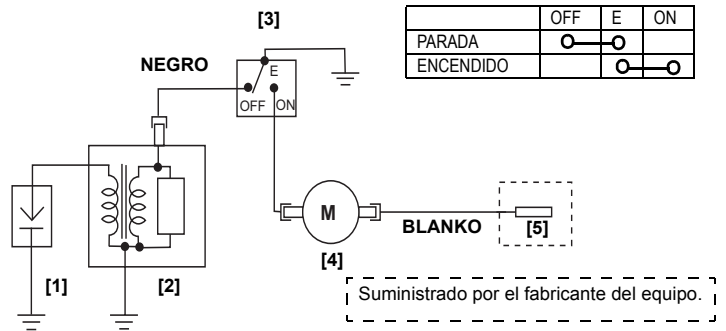
* La cantidad real variará debido al aceite residual que permanezca en el motor. Use siempre la varilla indicadora de nivel para [página 38](#).

Diagrama de Conexiones

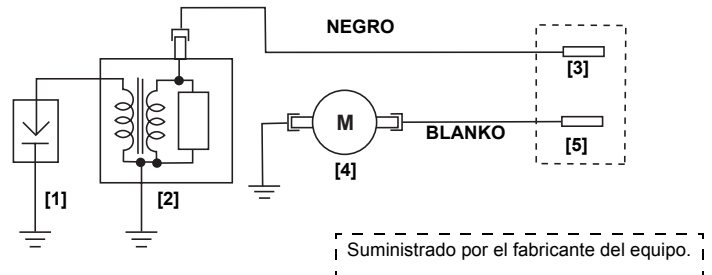
ARRANCADOR MANUAL (toda clase)



ARRANCADOR ELÉCTRICO (con freno de volante)



ARRANCADOR ELÉCTRICO (con freno de cuchillas)



[1]	BUJÍA	[4]	MOTOR DE ARRANQUE
[2]	BOBINA DE ENCENDIDO	[5]	INTERRUPTOR DE ARRANQUE
[3]	INTERRUPTOR DE PARO DEL MOTOR		

EVITANDO PROBLEMAS RELACIONADOS CON EL COMBUSTIBLE

PRODUCTOS IMPULSADOS POR MOTORES GCV

Cuando se mantiene adecuadamente, su producto de fuerza Honda debe brindarle años de funcionamiento libre de problemas. Esto incluye el sistema de combustible. Sin embargo, la gasolina puede deteriorarlo rápidamente (en tan solo 30 días), ocasionando problemas de arranque o funcionamiento y, en algunos casos, daño al sistema de combustible. La mayoría de los problemas relacionados con el combustible pueden evitarse siguiendo las precauciones a continuación. El daño al sistema de combustible y los problemas de rendimiento del motor ocasionados por combustible deteriorado no están cubiertos por la **GARANTÍA LIMITADA DEL DISTRIBUIDOR**.

Siga estas precauciones para prevenir la mayoría de los problemas relacionados con el combustible

Durante la estación en funcionamiento	Motivo
No utilice gasolina que contiene más de 10% de etanol (E10). No todas las gasolinas automotrices son seguras para que sean utilizadas en su producto de fuerza.	Altos niveles de etanol en la gasolina atrae el agua y puede corroer o dañar el sistema de combustible y ocasionar problemas de desempeño.
Almacene la gasolina en un envase limpio, plástico y sellado aprobado para almacenaje de combustible. Almacene su envase de suministro de combustible lejos de la luz solar; si el envase tiene ventilación, manténgalo cerrado.	Un envase plástico eliminará el riesgo que ingrese al sistema de combustible el óxido y los contaminantes metálicos provenientes de un envase metálico. La gasolina se deteriorará más rápido cuando se expone a la luz solar y el aire.
Compre solamente suficiente gasolina que perdure de 1 a 2 meses (aproximadamente de 30 a 60 días). Si usted compra suficiente gasolina que perdure más de 60 días, agregue un estabilizador de combustible a su envase cuando lo llene.	La gasolina se deteriora con el paso del tiempo, así que evite almacenarla por largos periodos de tiempo, especialmente durante la época de calor en el verano. Un estabilizador de combustible extenderá la vida útil de la gasolina, pero no reconstituirá la degeneración del combustible.
Cuando no utilice su producto mantenga el tanque de combustible lleno con combustible fresco.	Si el tanque de combustible se ha llenado parcialmente, el aire en el tanque fomentará el deterioro del combustible.
Mantenga el filtro de aire limpio y con el servicio adecuado. Verifíquelo antes de cada uso.	Un filtro de aire mantenido adecuadamente ayudará a prevenir que ingrese sucio al carburador. Los ductos pequeños dentro del carburador se pueden bloquear.

1 a 3 semanas antes del siguiente uso	Motivo
Cuando no utilice su producto mantenga el tanque de combustible lleno con combustible fresco. Gire la válvula de combustible a OFF (Apagado).	Si el tanque de combustible se ha llenado parcialmente, el aire en el tanque fomentará el deterioro del combustible.
Gire la válvula de combustible a la posición OFF (Apagado), arranque el motor y déjelo funcionar aproximadamente por 3 minutos hasta que el carburador este vacío y el motor se detenga.	La cantidad pequeña de gasolina en el carburador del motor se deteriorará más rápido que el combustible en el tanque debido a la cantidad reducida y el calor del motor.

1 a 3 meses antes del siguiente uso	Motivo
Si usted no agregó un estabilizador de combustible a su envase de almacenaje de combustible cuando lo llene, llene el tanque de combustible de su producto con gasolina fresca.	Si el tanque de combustible se ha llenado parcialmente, el aire en el tanque fomentará el deterioro del combustible.
Agregue estabilizador de combustible al tanque de combustible del producto de acuerdo con las instrucciones del fabricante del estabilizador.	Un estabilizador de combustible extenderá la vida útil de la gasolina, pero no reconstituirá la degeneración del combustible.
Haga que el motor funcione en un área exterior por 10 minutos.	Esto asegura que la gasolina condicionada ha sido reemplazada con la gasolina no-condicionada a lo largo del sistema de combustible.
Gire la válvula de combustible a la posición OFF (Apagado), arranque el motor y déjelo funcionar aproximadamente por 3 minutos hasta que el carburador este vacío y el motor se detenga.	La cantidad pequeña de gasolina en el carburador del motor se deteriorará más rápido que el combustible en el tanque debido a la cantidad reducida y el calor del motor.

Más de 3 meses antes del siguiente uso	Motivo
Arranque el motor y déjelo funcionar lo suficientemente para vaciar toda la gasolina del sistema de combustible completo, incluyendo el tanque de combustible. No permita que quede gasolina en el tanque de combustible de su producto por más de 3 meses (aproximadamente 90 días) de inactividad.	Todos los estabilizadores de combustible tienen una vida útil. Es una buena práctica vaciar el sistema de combustible por largos periodos de inactividad.

Si todavía ha quedado combustible en el envase de almacenamiento al finalizar la estación, recicle el combustible en el tanque de combustible su vehículo o deséchelo adecuadamente.

INFORMACIÓN DE SERVICIO EN CLIENTE DE MEXICO, AMÉRICA CENTRAL Y AMÉRICA DEL SUR

Argentina

Honda Motor De Argentina
Av. Del Libertador 1613
Vicente Lopez, Buenos Aires- Argentina
Phone: (54) 11-4000-4500
Fax: (54) 11-4000-4912
www.hondamotor.com.ar

Bolivia

Agencias Generales S.A.
Calle Bolivar E 520
Cochabamba Bolivia
Phone: 591.4.4251062
Fax: 591.4.4257615
www.agsa.com

Belize

Benny's Enterprise Ltd.
2-1/2 Miles Northern Highway
Belize City, Belize C.A.
Phone: 501-223-0550
Fax: 501-223-0019
www.bennys.bz

Brazil

Moto Honda Da Amazonia Ltd.
Estrada Municipal Valencio Calegari, 777
Av Interna, 6 - Predio 7A
Nova Veneza - Sumare
San Paulo, Brazil 13186-524
Phone: 011-55-115-576-5467
Fax: 011-55-115-421 2355
www.honda.com.br

Chile

Honda Motor de Chile S.A.
San Ignacio 031, Quilicura
Santiago, Chile
Phone: 562-270-9820
Fax: 562-738-6511
www.hondamotor.cl

Colombia

Energia & Potencia S.A.
Carrera 45 A #66A-100
Itagui, Antioquia, Colombia
Phone: 574-378-6100
Fax: 574-374-0411
www.energiaypotencia.com

Costa Rica

Franz Amrhein & Co., S.A. (FACO S.A.)
PO Box 1766
San Jose, Costa Rica
Phone: 001-506-23-91-66
Fax: 011-506-33-00-38

**Sociedad Anonima De Vehiculos
Automotores DBA: SAVA**
100 mts este de la plaza
De deportes de La Uruca,
San Jose, Costa Rica 10042-1000
Phone: 506.2284.8905
Fax: 506.2221.5570

El Salvador

**Servicio Agricola Salvadoreño S.A.
De C.V.**
KM3 Blvd. Del Ejercito Nacional
San Salvador, El Salvador
Phone: 503 2205 2700
Fax: 503 2205 2703
www.sagrisa.com

Guatemala

Agencia Y Fabrica Honda, S.A.
15 Avenida Blvd. Los Proceres
17-55 zona 10
Guatemala
Phone: 502-2244-3838
Fax: 502-2420-3802
www.honda.com.gt

Honduras

**Bombas y Motores de Honduras,
S.A. De C.V. - (BOMOSHA)**
Ave. Nueva Orleans No. 230
San Pedro Sula, Honduras
Phone: 504 556-6611
Fax: 504 2556-6617
www.bomohsa.com

México

Honda De México S.A. De C.V.
7250 Carretera A El Castillo
El Salto, Jalisco, Mexico
Phone: (52) 36-88-01-01
Fax: (52) 36-89-03-39
www.honda.com.mx

Panama

Comercial Forza S.A.
Calle 7 Avenida 5
Manzana 40 Lote 4,5,6
France Field
Zona Libre, Colon Panama
Phone: 574-315-2900
Fax: 574-318-1660
www.comforza.com

Uruguay

Nanvel S.A.
Uruguayana 3402/08
Montevideo, Uruguay 11700
Phone: 598 2308-8301
Fax: 598 2308-0279
www.nanvel.com.uy

Venezuela

Honda de Venezuela C.A.
Av. Roosevelt, Galpón # 1, Padro de María
Caracas, Venezuela
Phone: (58) 212-631-8030
Fax: (58) 212-631-8030
www.hondadevenezuela.com.ve

INFORMASI GARANSI INTERNASIONAL UNTUK MESIN SERBA GUNA Honda

Mesin Serba Guna Honda yang dipasang pada produk buatan manufaktur lain (OEM) ini dijamin oleh garansi Honda, berdasarkan persyaratan berikut:

- Syarat garansi ini berlaku bagi mesin serba guna yang ditetapkan Honda untuk masing-masing negara.
- Garansi ini berlaku untuk kerusakan mesin yang disebabkan oleh masalah produksi atau spesifikasi.
- Garansi ini tidak berlaku bagi negara-negara yang tidak memiliki distributor Honda.

Cara mereparasi produk yang memiliki garansi:

Bawalah produk Anda ke dealer yang berkaitan dengan produk-produk mesin Honda atau dealer tempat Anda membeli produk tersebut, dengan membawa nota pembelian yang Anda terima saat Anda membeli produk tersebut sebagai bukti bahwa produk Anda masih memiliki garansi. Apabila dealer tersebut menilai bahwa mesin Anda perlu diperbaiki, maka perbaikan akan diberikan.

KETERANGAN JAMINAN ANTARABANGSA UNTUK Honda GENERAL PURPOSE ENGINES

The Honda General Purpose Engine yang diinstal dalam produk OEM dilindungi oleh jaminan Honda, dalam penerimaan berikut:

- Syarat jaminan menurut kepada general purpose engine yang dikeluarkan oleh Honda di setiap negara.
- Syarat jaminan berlaku untuk kerusakan mesin yang disebabkan sebarang pembuat atau spesifikasi tertentu.
- Jaminan ini tidak berlaku untuk negara dimana yang tidak ada pegerdgar honda.

Bagaimana hendak membelkukan/membaiki produk anda dibawah jaminan:

Hantarkan produk OEM anda kepada pegerdgar yang mengedar produk Honda Power atau pegerdgar yang, anda beli produk anda dari padanya, dengan resit dimasa pembelian sebagai bukti yang produk anda masih dibawah jaminan. Kerosakan. Sekiranya pegerdgar mengutarakan supaya produk anda perlu dibbaiki, jaminan pembbaikan akan di jalankan.

INTERNATIONAL WARRANTY INFORMATION FOR Honda GENERAL PURPOSE ENGINES

The Honda General Purpose Engine installed on this OEM product is covered by a Honda warranty, on the following assumptions.

- The warranty conditions conform to those for the general purpose engine established by Honda for each country.
- The warranty conditions apply to engine failures caused by any manufacturing or specification problem.
- The warranty does not apply to countries where there is no Honda distributor.

How to have your product repaired under warranty:

Bring your OEM product to the dealer who deals with Honda power products or the dealer who you purchased your product from, with the receipt you received at the time of purchase as evidence that your product is still under warranty. If the dealer judges that the engine needs to be repaired, warranty repair will be performed.

معلومات عن الضمانة الدولية لمحركات هوندا للأغراض العامة

محركات هوندا للأغراض العامة التي تم تركيبها على المنتجات التي تم صنعها بواسطة شركات أخرى تكون مشمولة بضمانة هوندا، وتخضع الضمانة للأساسية لما يلي:

- حالات الضمانة المطابقة لهذه المحركات للأغراض العامة توضعها من قبل هوندا لكل بلد.
- يتم تطبيق شروط الضمانة التي أعطال الحرك التي يسببها من أي خلل بالتصنيع أو مشاكل بالأوصاف.
- لا يتم تطبيق الضمانة على البلدان التي لا يوجد فيها موزع هوندا.

كيفية إصلاح جهازك تحت هذه الضمانة

خذ جهازك الى الوكيل الذي يتعامل بمنتجات الطاقه من هوندا أو الوكيل الذي أشتريته منه مع مستند الشراء الذي أستلمته عند وقت الشراء. كبرهان على أن جهازك لازال مشمول بالضمانة. اذا قرر الوكيل أن الحرك، في حاجة الى اصلاح، يتم تنفيذ التصليح حسب الضمانة.

本田通用引擎國際保固通知

該OEM產品 中安裝的本田通用引擎包含有下列前提下的保固承諾。

- 保固條件應符合本田針對各國制定的通用引擎的保固條件。
- 保固條件適用於因任何製造或規格問題所造成的引擎故障。
- 該保固不適用於無本田經銷商的国家。

如何使您的產品得到保固修理:

將您的OEM產品送到辦理本 田動力產品的經銷商或您購買該產品的經銷商, 出示購買時所得到的發票, 以證明您的產品仍在保固期內. 若經銷商斷定該引擎需要修理時, 就會得到保固修理。

혼다 범용엔진에 대한 보증수리 안내

이 OEM 제품이 장착된 혼다 범용엔진은 혼다 보증수리 기준에 따라 다음과 같이 적용됩니다.

- 각 나라별 혼다가 정한 범용엔진 보증조건을 따릅니다.
- 엔진결함의 원인이 제조사 또는 제원상일 경우에 보증조건을 따릅니다.
- 보증수리는 혼다 디스트리뷰터가 없는 나라에서는 적용되지 않습니다.

보증수리방법

OEM 제품이 보증수리기간 내에 있다는 증명서인 품질 보증서와 영수증을 지참하고 혼다범용엔진 딜러 또는 OEM 제품을 구매한 딜러에게 방문하면 됩니다. 만일 그 딜러가 판단하여 엔진 수리가 필요할 경우 보증수리가 진행될 것입니다.

Honda 汎用エンジン 保証のご案内

このOEM 製品 (相手先ブランド製品) に搭載されたHonda汎用エンジンにはHondaの保証が適用されます。基本的な考え方は、以下の通りです。

- 保証条件は、その国においてHondaが定めている汎用エンジンの保証条件に従います。
- エンジン修理の原因が製造上、仕様上のトラブルによるものである場合に保証が適用されます。
- その国にHondaディストリビューターが無い場合は、保証は受けられません。

保証修理の受け方

保証期間内であることの確認のため、製品購入時の領収書と共に、Honda汎用製品を扱っているディーラー又はOEM 製品をお買い上げたディーラーに製品をお持ちください。Hondaエンジンを修理する必要があるとそのディーラーが判断した場合は、保証修理が行われます。

© Honda Motor Co., Ltd.

Revised: March 2009 (PWL53374-B)

Printed in U.S.A.

INFORMATIONS SUR LA GARANTIE INTERNATIONALE DES MOTEURS A USAGE GENERAL Honda

Le moteur à usage général Honda installé sur ce matériel OEM est couvert par une garantie Honda dans les conditions suivantes:

- Les conditions de garantie sont conformes à celles pour le moteur à usage général établies par Honda pour chaque pays.
- Les conditions de garantie s'appliquent aux pannes de moteur causées par un problème de fabrication ou de spécification.
- La garantie ne s'applique pas aux pays où il n'existe pas de distributeur Honda.

Comment faire réparer votre matériel sous la garantie:

Amenez votre matériel OEM chez le revendeur s'occupant de matériels de puissance Honda ou chez le revendeur où vous avez acheté votre matériel, avec le reçu d'achat en main comme preuve que votre matériel est encore sous garantie. Si le revendeur estime que le moteur a besoin d'être réparé, la réparation aura lieu sous garantie.

INFORMATIONEN ZUR INTERNATIONALEN GARANTIE FÜR Honda-INDUSTRIEMOTOREN

Der in diesem Erstausrüster-Produkt installierte Honda-Industriemotor ist unter den nachfolgend aufgeführten Voraussetzungen von der Honda-Garantie abgedeckt.

- Die für Industriemotoren geltenden Garantiebestimmungen wurden von Honda für jedes Land festgelegt.
- Die Garantie gilt für Motordefekte, die durch einen Fabrikationsfehler oder inkorrekte Spezifikationen verursacht wurden.
- Die Garantie gilt nicht in Ländern, in denen kein Honda-Großhändler vorhanden ist.

Vorgehensweise bei einem Garantiefall:

Bringen Sie Ihr Erstausrüster-Produkt zu einem Honda-Händler für motorgetriebene Geräte oder zu Ihrem Verkaufshändler. Zum Beweis, daß das Produkt noch durch die Garantie abgedeckt ist, muß zu dieser Zeit der Verkaufsbeleg vorgelegt werden. Nachdem der Händler bestätigt, daß eine Reparatur des Motors erforderlich ist, werden die nötigen Garantiarbeiten ausgeführt.

INTERNATIONALE GARANTIE INFORMATIE VOOR Honda ALGEMEEN-GEbruik MOTOREN

De Honda algemeen-gebruik motor die op dit EOM product is gemonteerd, is gedekt door een Honda garantie, waarbij het volgende in acht moet worden genomen:

- De garantievoorwaarden voldoen aan die voor de algemeen-gebruik motoren opgesteld door Honda voor ieder land.
- De garantievoorwaarden zijn van toepassing op motordefecten die veroorzaakt zijn door fabricage- of specificatiefouten.
- De garantie geldt niet in landen waar geen Honda distributeur is.

Repareren van het product onder de garantie:

Breng uw OEM product naar een dealer die Honda elektrische producten verkoopt of naar de dealer waarvan u het product heeft gekocht, tezamen met het bewijs van aankoop zodat de dealer kan zien dat het product nog onder de garantie is. Indien de dealer van oordeel is dat de motor gerepareerd moet worden, zal deze onder de garantie worden gerepareerd.

INFORMAZIONI SULLA GARANZIA INTERNAZIONALE PER I MOTORI Honda PER USO GENERICO

La garanzia Honda è applicabile sui motori Honda per uso generico che equipaggiano macchine prodotte da altri costruttori ed è assoggettata alle seguenti regole:

- Le condizioni di garanzia sono conformi a quelle per i motori per uso generico stabilite da Honda per ogni nazione.
- Le condizioni di garanzia si applicano da problemi del motore causati da qualsiasi problema di produzione o specifico.
- La garanzia non si applica alle nazioni nelle quali non è presente nessun rivenditore Honda.

Procedure per ottenere interventi in garanzia:

Portare il prodotto di altro costruttore dal rivenditore che tratta prodotti motorizzati Honda o dal rivenditore dal quale si è acquistato il prodotto, con la ricevuta fornita nel momento dell'acquisto, come prova che il prodotto è ancora in garanzia. Se il rivenditore ritiene che il motore necessita di riparazioni, verranno eseguite le riparazioni in garanzia.

INFORMACIÓN SOBRE LA GARANTÍA INTERNACIONAL DE LOS MOTORES Honda DE USO GENERAL

El motor Honda de uso general instalado en este producto de fabricante de equipo original (OEM) está cubierto por una garantía de Honda, bajo las condiciones siguientes.

- Las condiciones de garantía conforman las de los motores de uso general establecidas por Honda para cada país.
- Las condiciones de garantía se aplican a las averías de motores causadas por un problema de fabricación o de especificaciones.
- La garantía no se aplica en los países en los que no haya ningún distribuidor de Honda.

Cómo hacer para que le reparen su producto en garantía:

Lleve su producto OEM al concesionario que comercializa productos motorizados Honda o al concesionario donde usted compró su producto, llevando el recibo que le entregaron en el momento de la compra como prueba de que su producto está todavía en garantía. Si el concesionario cree que hay que reparar el motor, se le realizará la reparación aplicando la garantía.

INFORMAÇÃO SOBRE A GARANTIA INTERNACIONAL PARA MOTORES Honda PARA USO GERAL

O motor Honda para uso geral neste produto OEM é coberto pela garantia Honda de acordo com os seguintes princípios.

- As condições da garantia conformam com as condições de garantia para motores de uso geral estabelecidas pela Honda no país em questão.
- As condições da garantia são para falhas do motor causadas por qualquer problema de fabricação ou especificação.
- A garantia não é válida em países onde não há um distribuidor Honda.

Para obter o serviço sob a garantia:

Leve o seu produto OEM para um revendedor que venda produtos montados com motor Honda ou ao revendedor onde comprou o produto, com o recibo que recebeu no ato da compra como uma evidência que o produto ainda está na garantia. Se o revendedor julgar que o motor precisa ser reparado, o reparo será realizado através da garantia.

本田通用发动机国际保修通知

该OEM产品中安装的本田通用发动机包含有下列前提下的本田保修承诺。

- 保修条件应符合本田针对各国制定的通用发动机的保修条件。
- 保修条件适用于因任何制造或规格问题所造成的发动机故障。
- 该保修不适用于无本田经销商的国家。

如何使您的产品得到保修修理:

将您的OEM产品送到办理本田动力产品的经销商或您购买该产品的经销商, 出示购买时所得到的发票, 以证明您的产品仍在保修期内. 若经销商断定该发动机需要修理时, 就会得到保修修理。

ข้อมูลเกี่ยวกับการรับประกันเครื่องยนต์ต่างประเทศ สำหรับเครื่องยนต์นอกแบรนด์ส่งออกอื่น

เครื่องยนต์นอกแบรนด์ส่งออกตัวที่ได้รับการติดตั้งอยู่ในผลิตภัณฑ์ OEM นี้ ใ้ถูกครอบคลุมอยู่ในการรับประกันของแบรนด์ตามเงื่อนไขดังต่อไปนี้

- เงื่อนไขในการรับประกันนี้ใช้สำหรับเครื่องยนต์นอกแบรนด์ส่งออกที่ถูกผลิตโดยนอกแบรนด์ในประเทศ
- เงื่อนไขในการรับประกันนี้จะรับประกันถึงกรณีเสียหายหรือความเสียหายใดๆที่เกิดจากการผลิตหรือติดตั้งจากบริษัทที่ระบุเฉพาะ
- การรับประกันนี้จะไม่ครอบคลุมถึงประเภทที่ไม่มีตัวแทนจำหน่ายของแบรนด์

การเข้ารับการซ่อมภายใต้เงื่อนไขการรับประกัน

นำผลิตภัณฑ์ OEM ของท่านไปยังตัวแทนบริษัทที่มีการตกลงกับทางออกตามผลิตภัณฑ์เครื่องหรืออยู่ภายหน้าที่ท่านได้ทำ หรือองค์กรตัวแทนหรือควบไปบริการรับแจ้งทันทีที่ได้รับโดยทันทีเพื่อเป็นการนำผลิตภัณฑ์ของแบรนด์ออกจำหน่ายในช่วงเวลาของการรับประกันนี้ท่านอาจจำเป็นต้องขอความเห็นจากบริษัทหรือติดต่อได้รับการซ่อมหรือเปลี่ยนตัวได้รับการซ่อมภายใต้เงื่อนไขการรับประกัน

HONDA
The Power of Dreams