

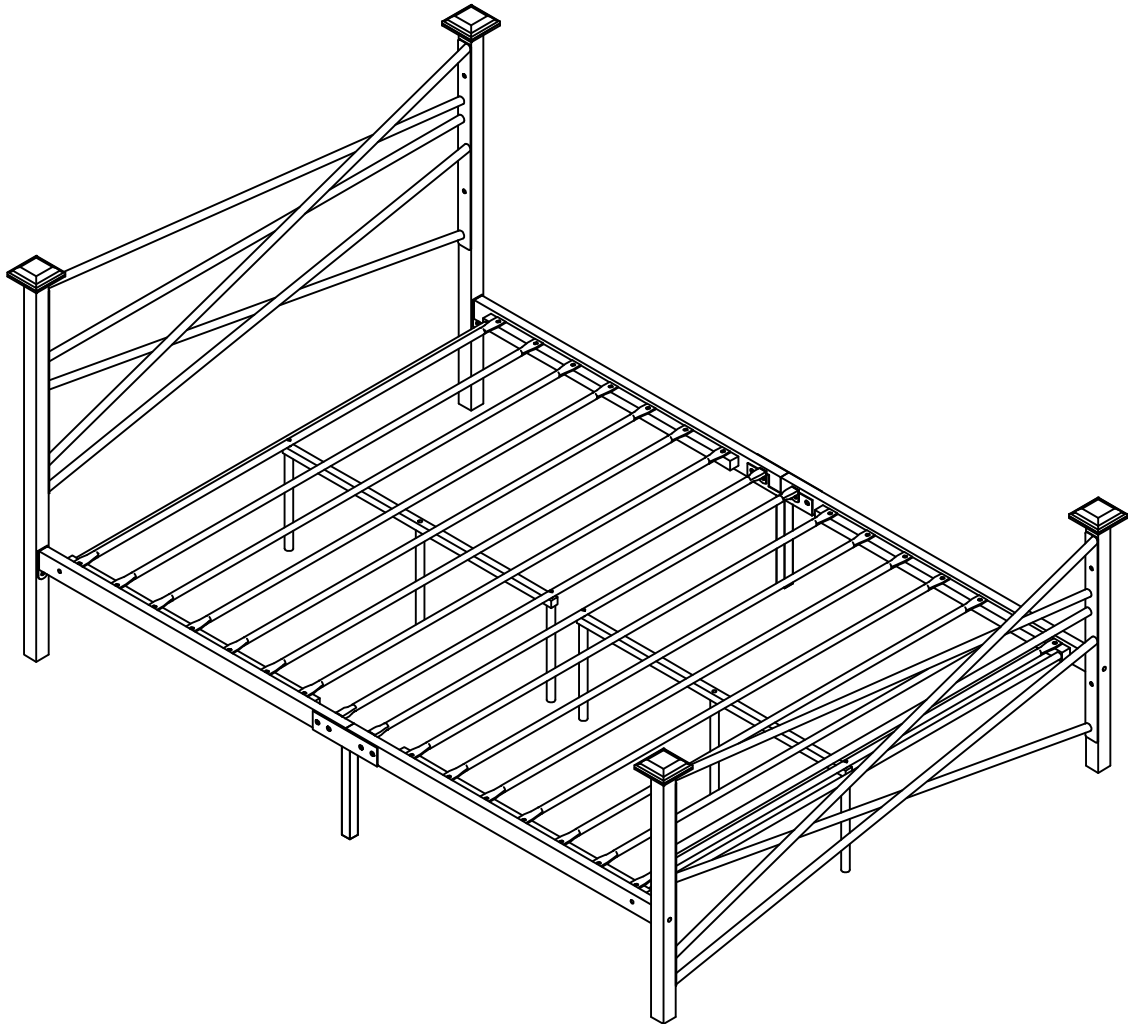


HODEDAH

www.hodedah.com
support@hodedah.com

ASSEMBLY INSTRUCTIONS

METAL BED



HI925



HODEDAH

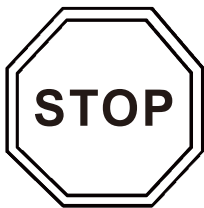
www.hodedah.com

support@hodedah.com



IMPORTANT NOTE:

- *This product contains small components, please ensure that they are kept away from small children.*
- *This instruction booklet contains **IMPORTANT** safety information. Please read and keep for future reference.*
- *Note: you will find extra screws and bolts in hardware pack in case of any missing pieces.*
- *If the glass is chipped or broken, do not attempt to assemble the item.*



DO NOT RETURN PRODUCT TO THE STORE

*If a part is missing or damaged, email our customer service. We will gladly ship your replacement parts **FREE** of charge.*

Need Parts or Assistance?

Email us at

support@hodedah.com

For prompt, reliable service, please have your assembly manual ready.



HODEDAH

www.hodedah.com

support@hodedah.com

Thank you for purchasing from Hodedah

**To learn more about hodedah and our products visit
www.hodedah.com**

READ BEFORE BEGINING ASSEMBLY

- Read each step carefully. It is very important that each step of instruction is performed in the correct order. If these steps are not followed in sequence, assembly difficulties will occur.
- Make sure all parts are included. Most parts are labeled or stamped on the raw edge.
- Work in spaclous area, preferably on a carpet, near the place the unit will be used.
- Do not use power tools assemble your furniture. Power tools may strip or damage the parts.

HELPFUL HINTS

- Call us if you need assistance.
- Move your new furniture carefully, with two people lift and carry the nuit to it's new location.
- Never push, drag or pull your furniture(especially on carpet).

Warranty Information

Hodedah warrants this product to be free from defects in material and workmanship agrees to remedy any such defect. This warranty covers one year from the date of original purchase. This is solely limited to be repair or replacement of defective parts and no assembly labor is included.

This warranty does not apply to any products which has been improperly assembled, subjected to misuse or abuse or which has been altered or repaired in any way.

To obtain warranty service, purchaser must present original bill of sale. Components repaired or replaced warranted through the remainder of the original warranty period only. The defective components will be repaired or replaced without charge, subject to the terms and conditions described above.

**For help with assembly, Identifying parts, product information
or to order parts, please contact us:**

Call us at:

718-456-0505

Monday-Friday

9:00 am-5:00 pm

Visit our website:

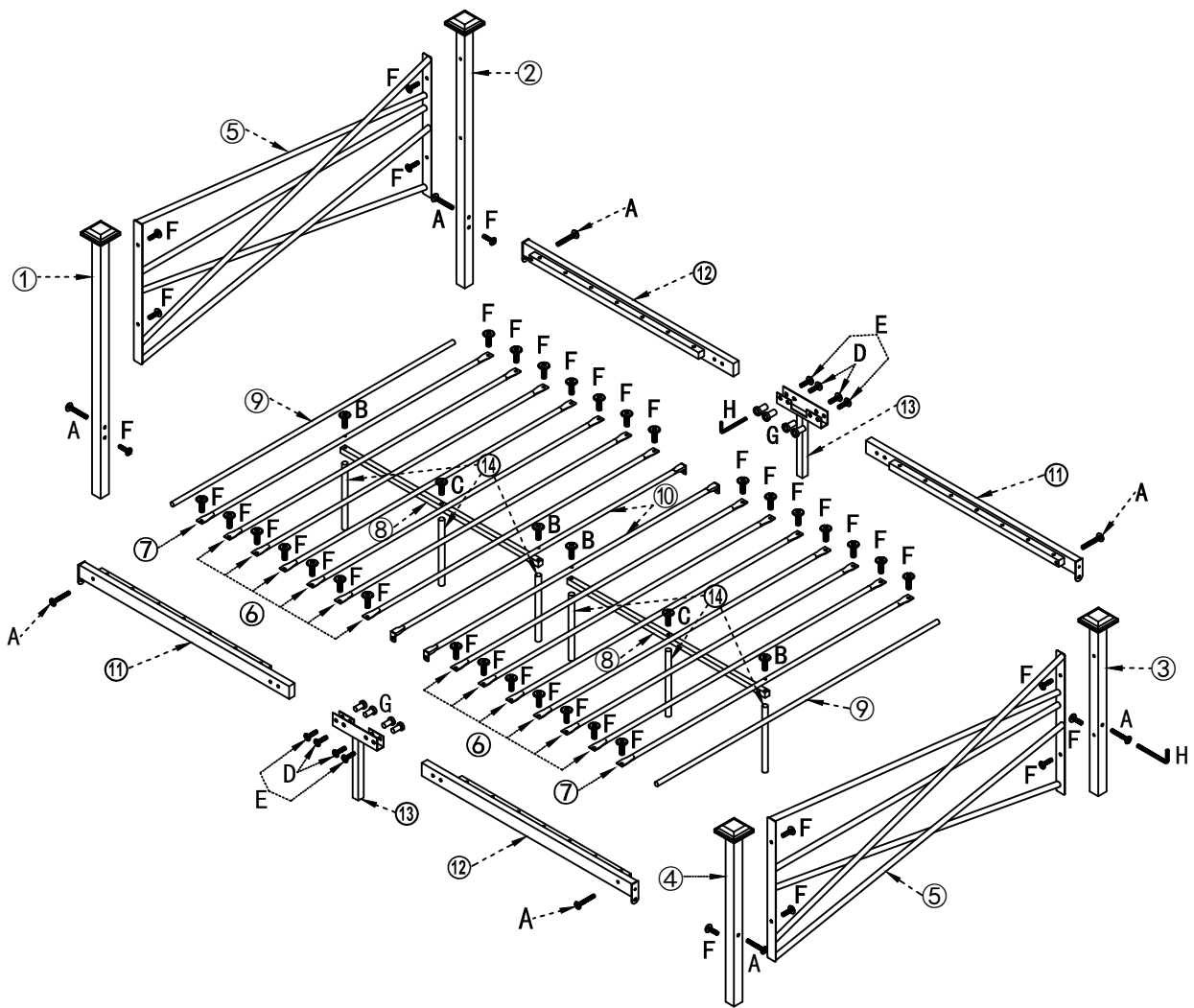
www.hodedah.com



HODEDAH

www.hodedah.com
support@hodedah.com

Breakdown Structure



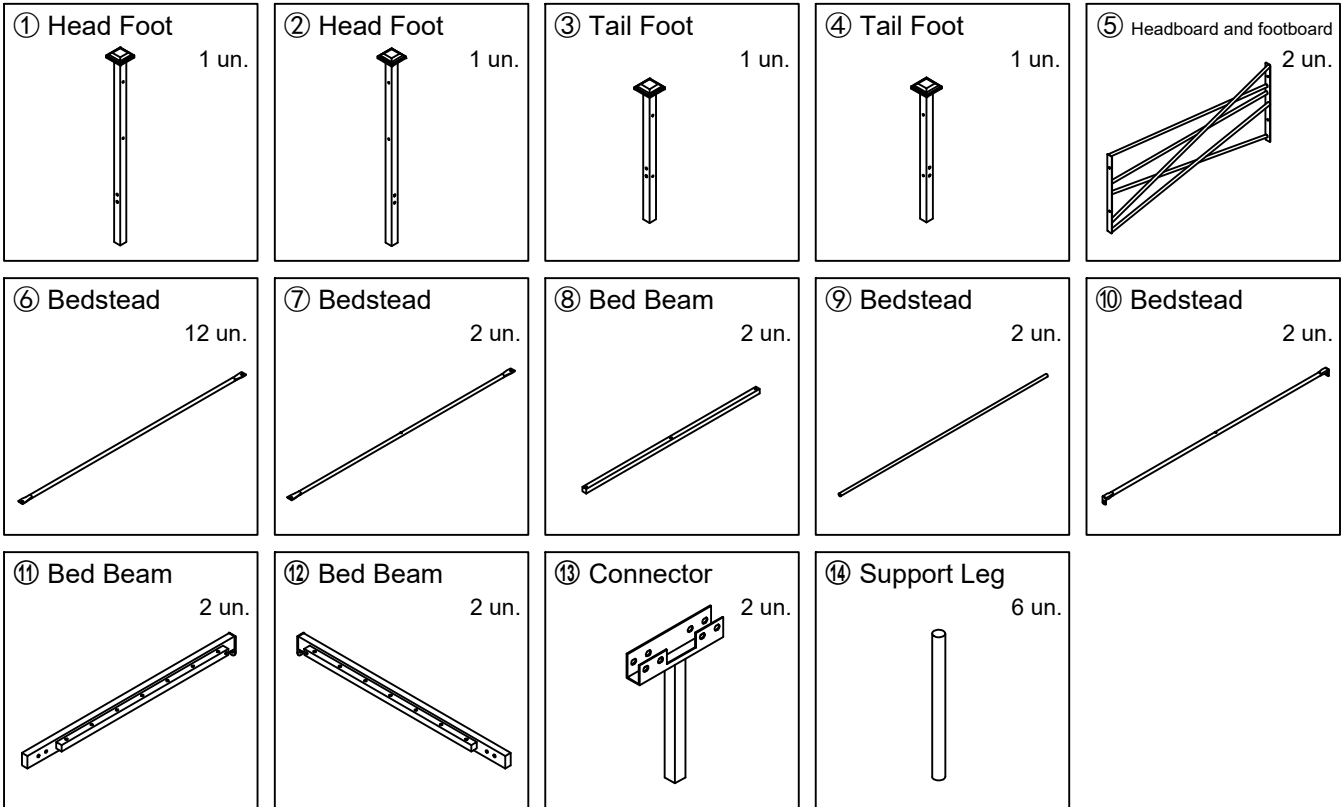


HODEDAH

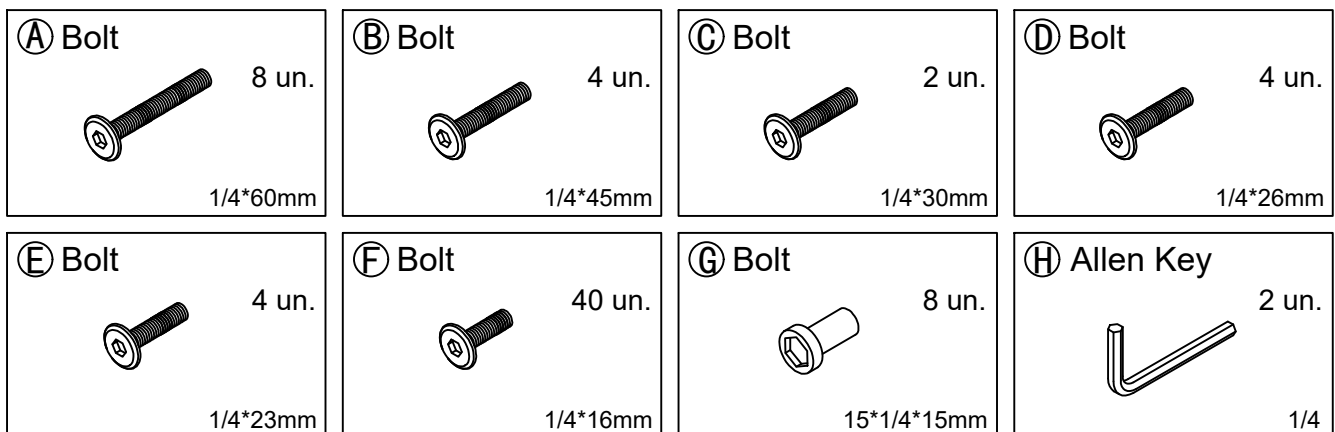
www.hodedah.com

support@hodedah.com

Parts



Hardware



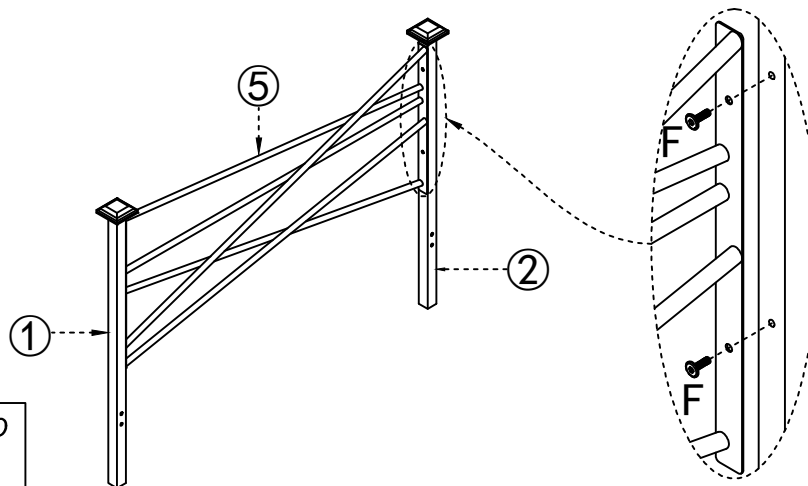


HODEDAH

www.hodedah.com
support@hodedah.com

Step 1

• Attach head board (5) to head foot (1) and (2), screw bolt (F) through head board attach head foot.
(see pictures for example)



HARDWARE REQUIRED



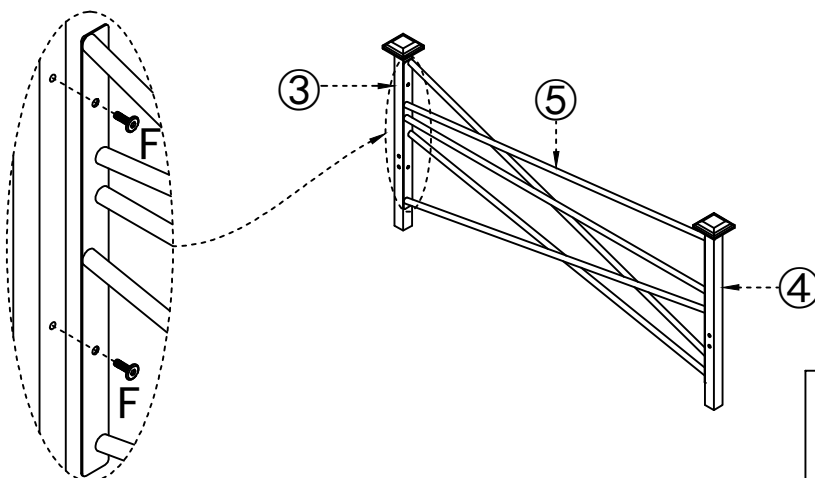
8*F



1*H

Step 2

• Attach foot board (5) to tail foot (3) and (4), screw bolt (F) through foot board attach tail foot.
(see pictures for example)



HARDWARE REQUIRED



8*F



1*H



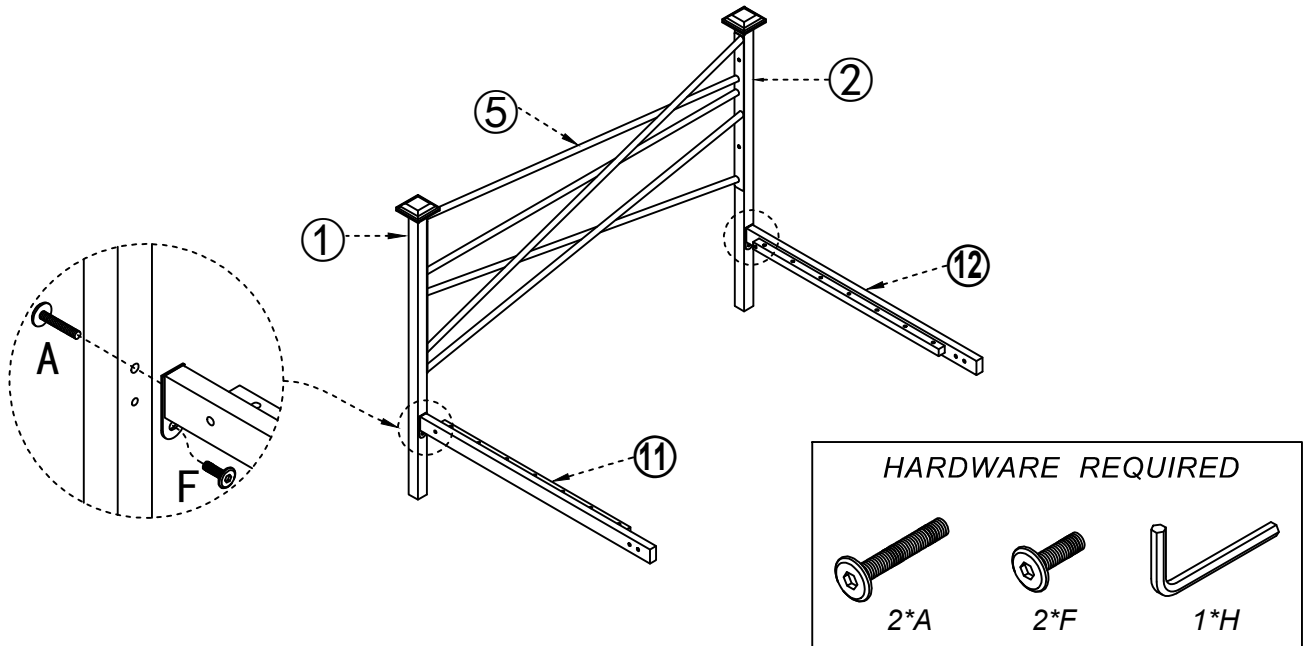
HODEDAH

www.hodedah.com

support@hodedah.com

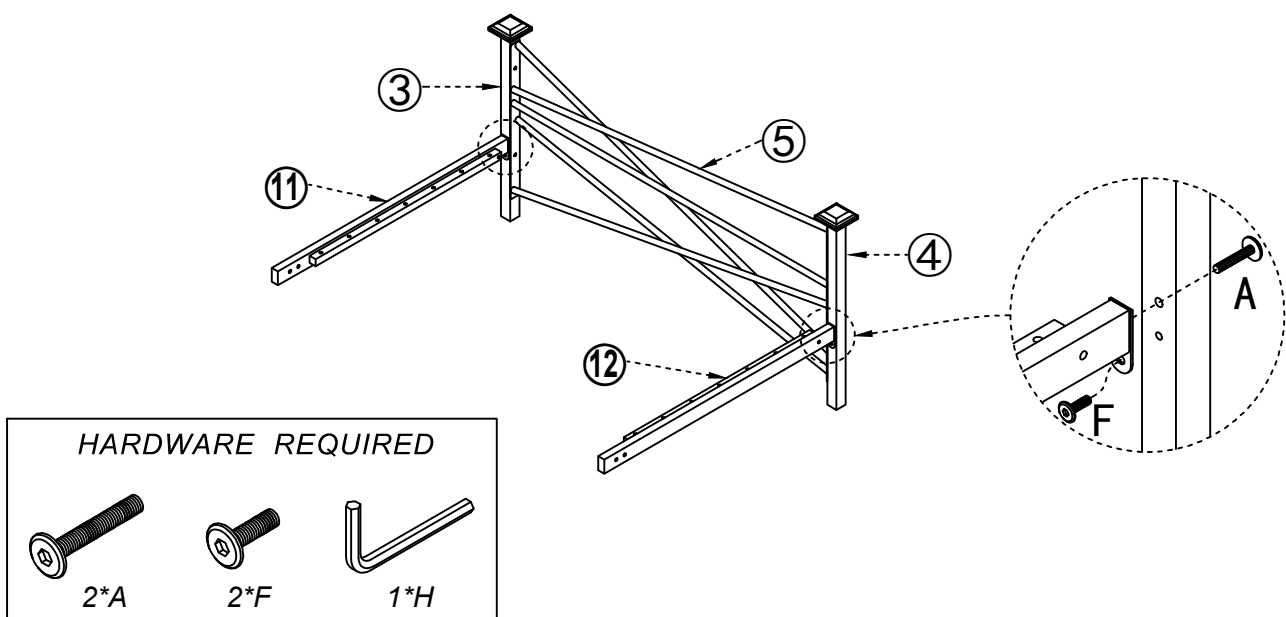
Step 3

- Attach bed beam (11) and (12) to head foot (1) and (2), insert the small steel plate into groove.
- Insert bolt (F) into the hole on bed beam, thread bolt (A) through head foot to attach bed beam. (see pictures for example)



Step 4

- Attach bed beam (11) and (12) to attach to parts (3) and (4), insert the small steel plate into groove.
- Insert bolt (F) into the hole on bed beam, thread bolt (A) through tail foot to attach bed beam. (see pictures for example)



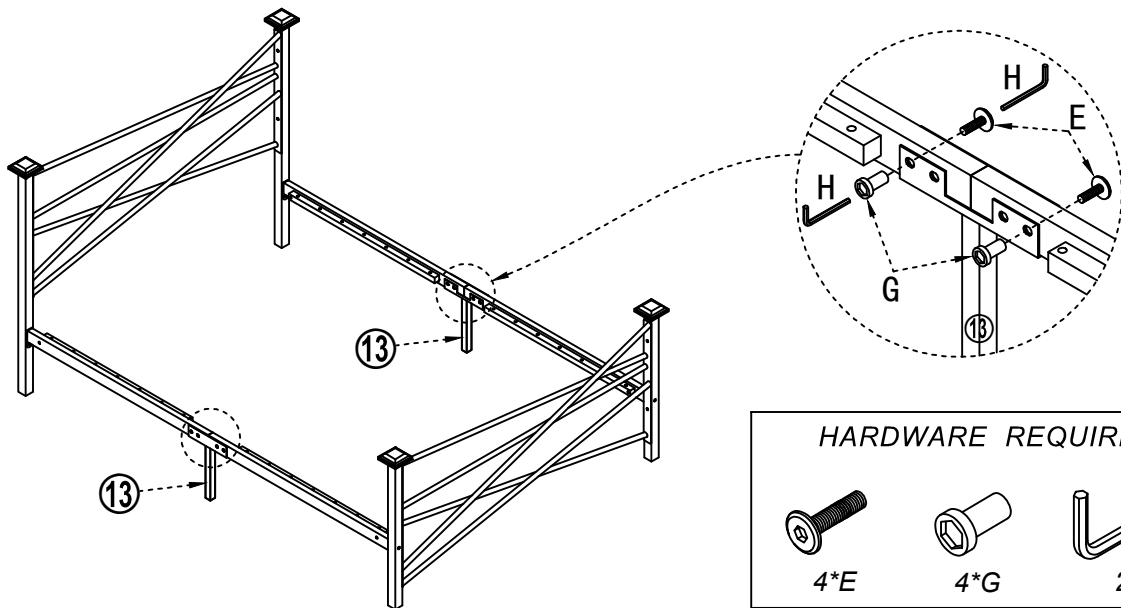


HODEDAH

www.hodedah.com
support@hodedah.com

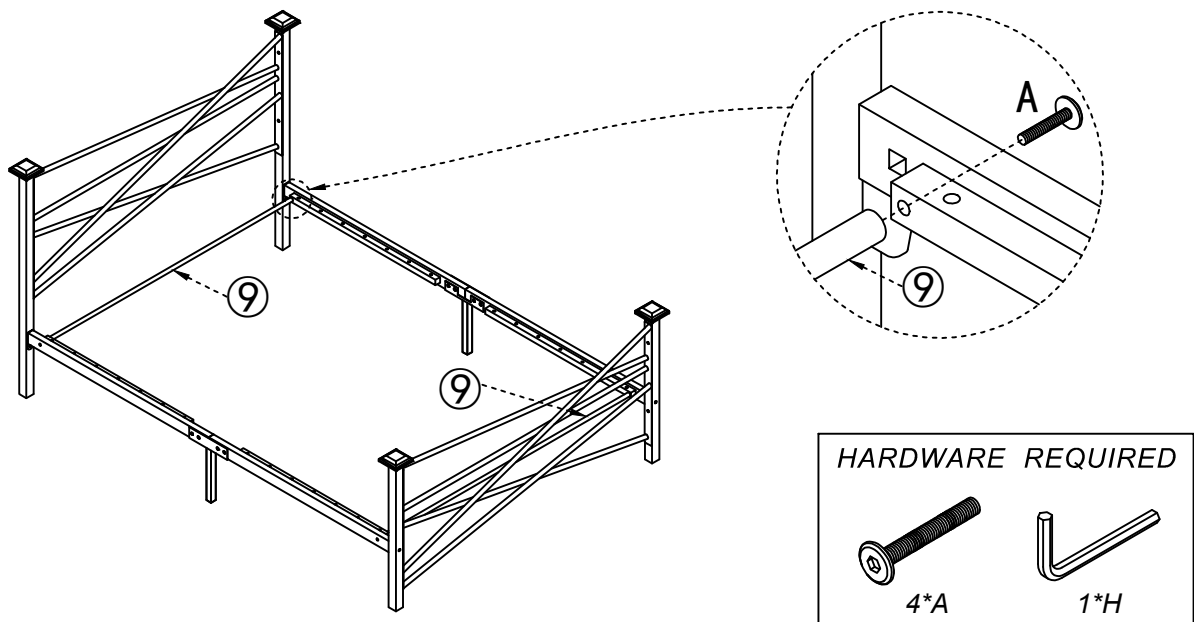
Step 5

- Put head board and foot board together with connector (13).
- Align bed beam holes with connector holes, thread bolt (E) into holes from inside, thread bolt (G) into holes from outside, attach together with allen key (H). (see pictures for example)



Step 6

- Attach bedstead (9) on bed beam (11) and (12), screw bolt (A) through bed beam from outside into bedstead. (see pictures for example)



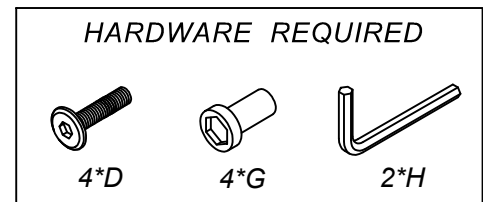
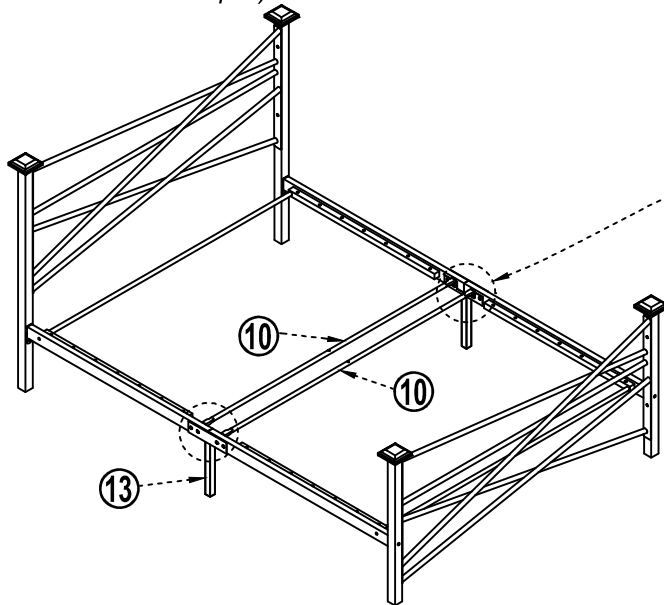


HODEDAH

www.hodedah.com
support@hodedah.com

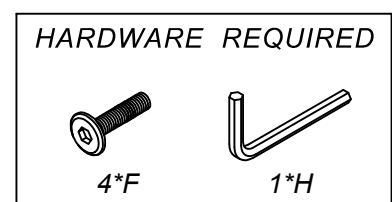
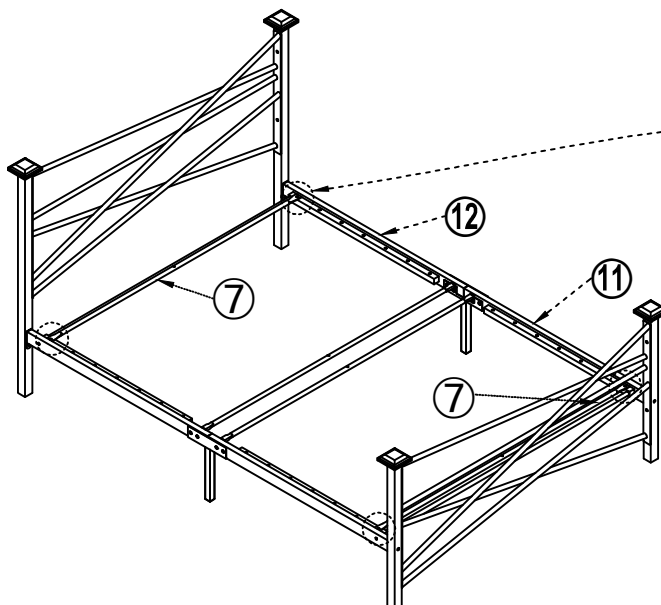
Step 7

- Attach bedstead (10) with connector (13), screw bolt (D) through connector from outside and screw bolt (G) from inside, tighten them together with allen key (H).
(see pictures for example)



Step 8

- Attach bedstead (7) on bed beam (11) and (12), screw bolt (F) into the holes.
(see pictures for example)



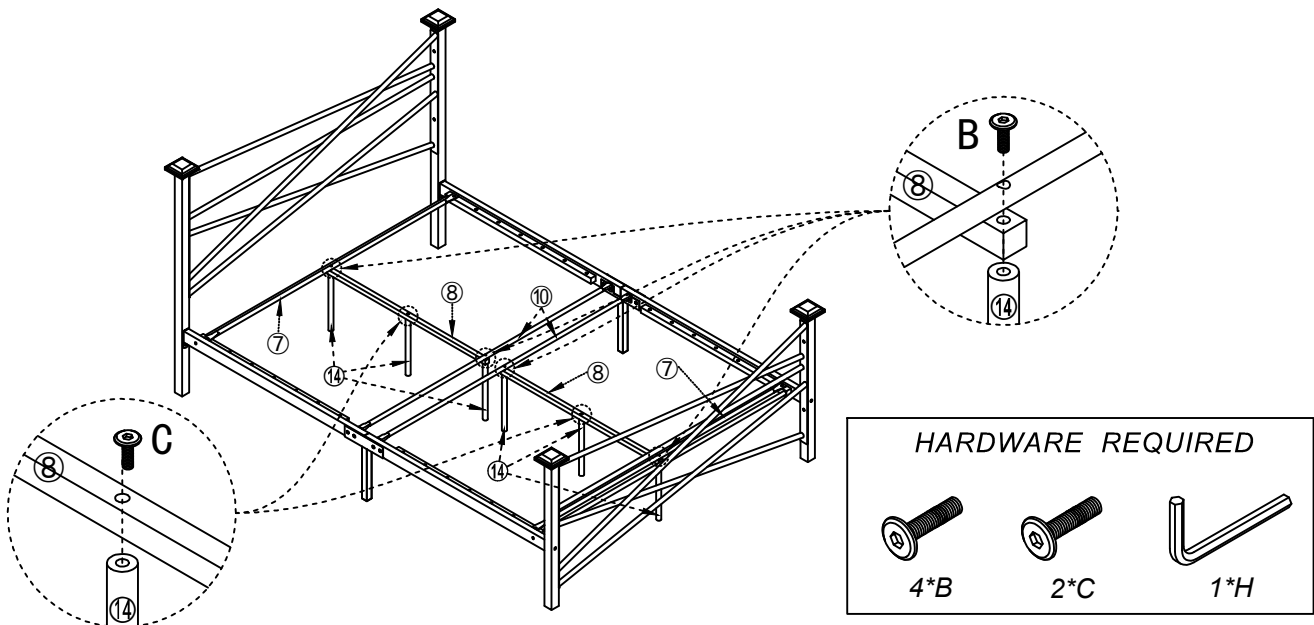


HODEDAH

www.hodedah.com
support@hodedah.com

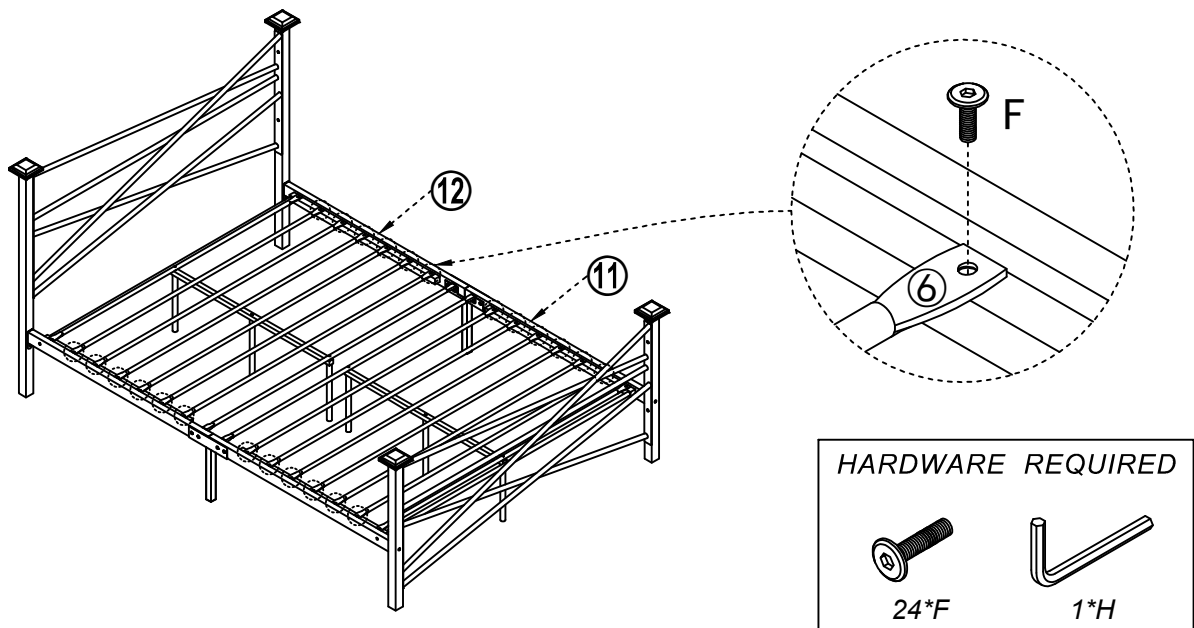
Step 9

- Attach bed beam (8) under bedstead (7) and (10), stand up support leg (14) and put under the bed beam.
- Insert bolt (B) into holes at both ends of bed beam from top after aligning holes.
- Insert bolt (C) into holes at middle of bed beam from top after aligning holes. (see pictures for example)



Step 10

- Attach bedstead (6) to bed beam (11) and (12), insert bolt (F) from upside after aligning all holes. (see pictures for example)



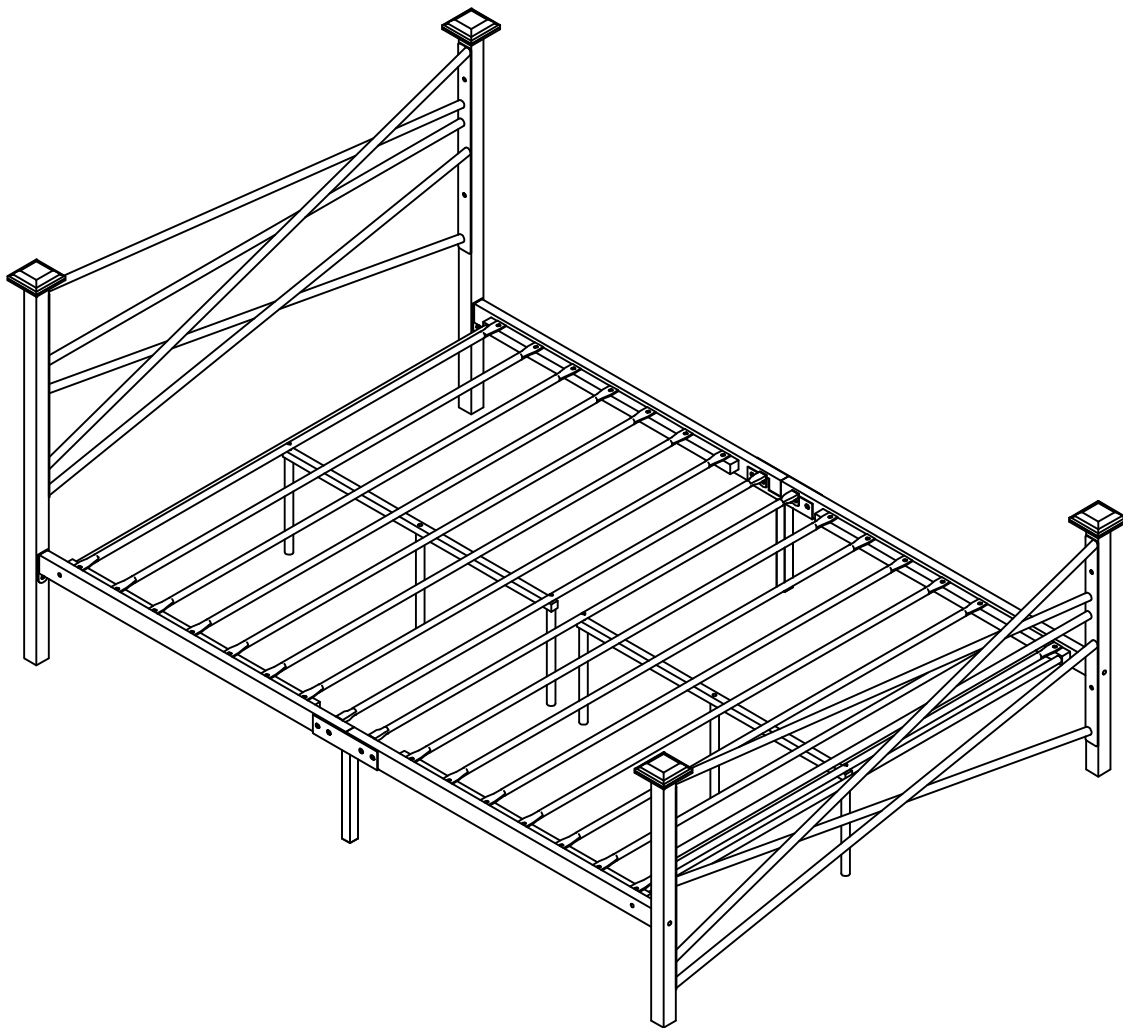


HODEDAH

www.hodedah.com
support@hodedah.com

Step 11

· Tighten all bolts with allen key (H) after making sure they are in the right position.



Job Complete !

In the interest of our environment please dispose of all packaging thoughtfully.