



Outdoor Distinctions
303 W. Carmel Drive
Carmel, IN 46032

844.345.2424

www.outdoordistinctions.com

Installation Instructions

Free-Standing Pergola



Harmony Series

(12 x 10, 12 x 12, 12 x 14, 12 x 16, 12 x 18, 12 x 20)



Installation Instructions

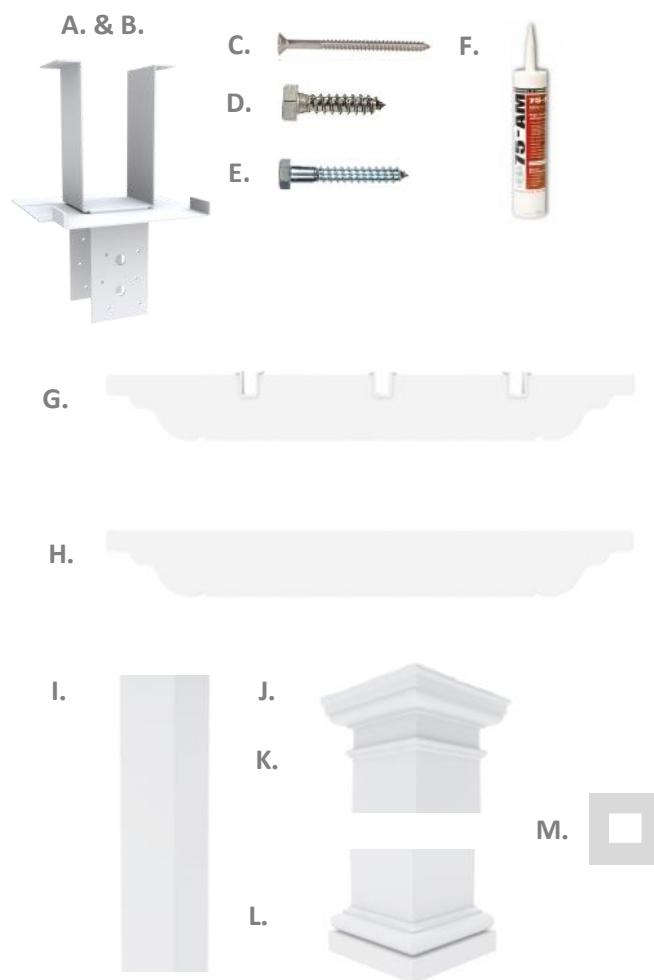
Free-Standing Harmony Pergola

(12 x 10, 12 x 12, 12 x 14, 12 x 16, 12 x 18, 12 x 20)

Congratulations on your purchase of the Free-Standing Harmony Pergola. Before you begin, please refer to the parts list to ensure all materials needed for assembly have been received.

Parts Included with this Product

Item	Quantity	Description
A.	4	Stainless Steel Wing Bracket
B.	4	Stainless Steel Cover Plate
C.	48	2.5" Stainless Steel Philips Screw
D.	16	1/4" - 1" Stainless Steel Hex Bolt
E.	4	1/4" - 2" Stainless Steel Hex Bolt
F.	2	Adhesive
G.	4	Notched Beam
H.	8	Cross Beam
I.	4	Harmony Square Column
J.	4	Tuscan Cap
K.	4	Decorative Neck
L.	4	Tuscan Base
M.	8	Column Spacer



Tools or Supplies - Required

Tape Measure & Chalk Line	Wrench or Socket Set
Level, String Level & Square	Screw Bits
Caulk Gun	Drill Bit: 3/16
Pencil	Sand Paper
Power Drill & Saw	Shovel / Post Hole Digger
4 x 4 Wooden Post Qty.4	80 lb. Ready Mix Concrete Qty.8
Water	Hammer
Ladder	Tape

Tools or Supplies - Optional

12" Sonatube Qty. 4	Galvanized Metal 4 x 4 Support Fasteners with required mounting hardware (Pier Mount)
Wheel Barrow	Bucket
Masonry Drill Bits	Hammer Drill
Stainless Steel Nails 16D 3 1/2"	2x4 Pressure Treated Wood Qty.1



Installation Instructions

Free-Standing Harmony Pergola

General Information

Your Outdoor Distinctions Pergola has been designed for installation on a cement slab, cement piers, or in ground using wood post supports. If installing on a wooden deck ensure the deck has additional supports below the deck surface. *All installation methods require the installer to supply four 4" x 4" wood support posts in proper lengths and if pier or slab mounted, four metal fasteners with hardware.*

The layout of your pergola and support posts is **important**. You will need to consider post locations and the slope of terrain. Before digging, contact www.call811.com or *811 to schedule a site visit.

Note: *It is recommended that you verify local building codes, ordinances and neighborhood covenants for height restrictions and other local requirements for these structures.*

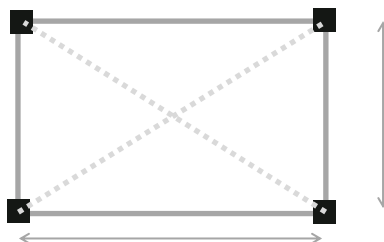
Read each step thoroughly prior to installing:

- Step 1 - Site Measurement
- Step 2.A. - Foundation for 4 x 4 Wood Support (Concrete Pier)
- Step 2.B. - High Wind Load Installation
- Step 3 - Column Assembly
- Step 4 - Roof Assembly

Step 1 - Site Measurement

- Locate the column centers using the below chart. The Notched Beam (G) is the shaded column while the Cross Beam / Rafter (H) is the white column.
- Measure and mark the width and length of the desired area to make sure your pergola will fit and be square. Use string lines to measure the perimeter and both diagonal distances. Adjust accordingly then mark column centers.

	10 Ft.		12 Ft.		14 Ft.		16 Ft.		18 Ft.		20 Ft.	
	W	D	W	D	W	D	W	D	W	D	W	D
10 Ft.	79.85"	79.5"	95.85"	79.5"	127.85"	79.5"	143.85"	79.5"	175.85"	79.5"	191.85"	79.5"
12 Ft.	79.85"	95.5"	95.85"	95.5"	127.85"	95.5"	143.85"	95.5"	175.85"	95.5"	191.85"	95.5"
14 Ft.	79.85"	127.5"	95.85"	127.5"	127.85"	127.5"	143.85"	127.5"	175.85"	127.5"	191.85"	127.5"
16 Ft.	79.85"	143.5"	95.85"	143.5"	127.85"	143.5"	143.85"	143.5"	175.85"	143.5"	191.85"	143.5"
18 Ft.	79.85"	175.5"	95.85"	175.5"	127.85"	175.5"	143.85"	175.5"	175.85"	175.5"	191.85"	175.5"
20 Ft.	79.85"	191.5"	95.85"	191.5"	127.85"	191.5"	143.85"	191.5"	175.85"	191.5"	191.85"	191.5"



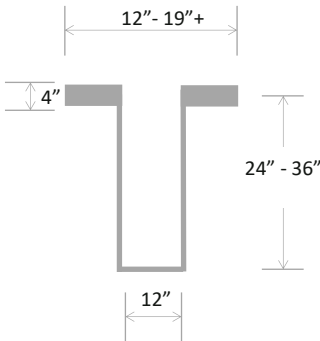
***Note: Make certain the column centers are square.**



Installation Instructions

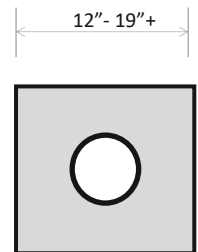
Free-Standing Harmony Pergola

Step 2.A. - Foundation for 4 x 4 Wood Support (Concrete Pier)

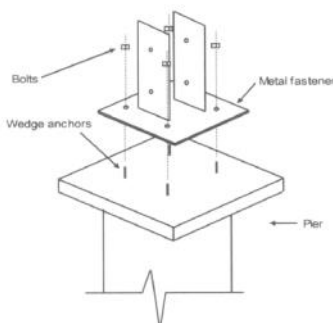


Item 1

1. Using a post hole digging tool, dig a hole 12" in diameter approximately 24"- 36" deep. Place a 12" sonatube into the hole for the concrete pier.
2. For a finished look, build a frame around the top of the hole 12" - 19"+ wide creating a pad to set the Column (I) and Base Cap (L) on.
3. Level the pier platforms using string line, wood pegs and a string level.
4. Mix the ready - mix concrete per manufacture instructions. You will need approximately 2 qty. 80 lb. bags for each pier. Fill in pier and pad. Smooth the surface with trowel / float.



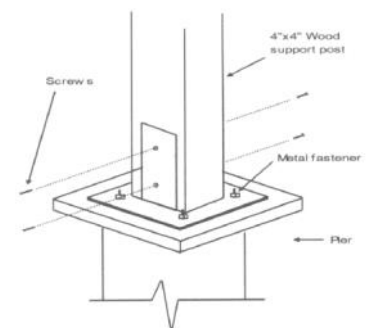
Item 2



Item 5

Example of Metal 4 x 4 Support

5. Once the concrete cures, place each 4" x 4" galvanized metal support post fastener (not supplied) at the center of each pier. Double check column center points with the other piers, then mark the base holes, drill with a masonry drill bit to the appropriate depth, clean each hole free of debris, insert wedge anchors (not supplied) into each hole and tap tight with a hammer. Using a wrench, tighten the bolts to secure the metal fastener to the pier.
6. Set the 4" x 4" wood support post into the metal support post fastening bracket. Level the post on two sides. Mark the bracket side hole positions and then drill pilot holes. Secure the post by screwing wood screws (not supplied) into the pilot holes through the fastening bracket and into the wood support post.

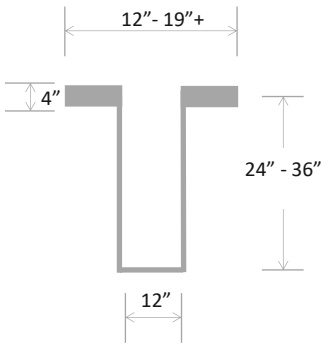


Item 6

Example of Metal 4 x 4 Support



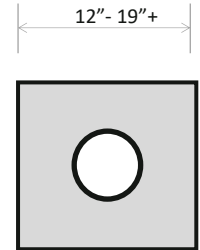
Installation Instructions Free-Standing Harmony Pergola



Item 1

Step 2.B. - High Wind Load Installation

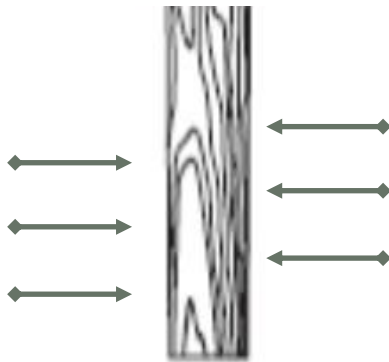
1. Using a post hole digging tool, dig a hole 12" in diameter approximately 24"- 36" deep. Place a 12" sonatube into the hole.
2. For a finished look, build a frame around the top of the hole 12" - 19"+ wide creating a pad to set the Column (I) and Base Cap (L) on.
3. Level the pier platforms using string line, wood pegs and a string level.
4. Select the appropriate 4 x 4 length (not supplied) for the hole depth plus the column length.



Item 2

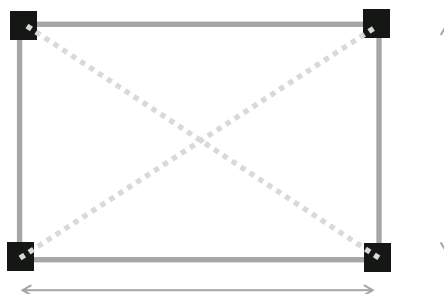
Example:

8' High Column + 3' Hole Depth = 11' High 4 x 4 Wooden Post
(Purchase 12' 4 x 4 Wooden Post)



Item 3

5. Insert 3 qty. 16D 3 1/2" Stainless Steel Nails into each side of the 4x4 post bottom about 1 1/2" deep. Space nails 3" apart and offset the facing side.
6. Insert bottom of 4 x 4 post into 12" sonatube.
7. Mix the ready - mix concrete per manufacture instructions. You will need approximately 2 qty. 80 lb. bags for each pier. Center 4 x 4 post in hole, fill pier halfway and adjust 4 x 4 post making sure to keep square with other 4 x 4 posts. **Note: 4 x 4 post sides should be facing the two other corresponding posts. See figure below.**
8. Once posts are square, fill the holes and pads with concrete. Smooth the surface with trowel / float. Secure 4 x 4 with stakes until concrete cures.

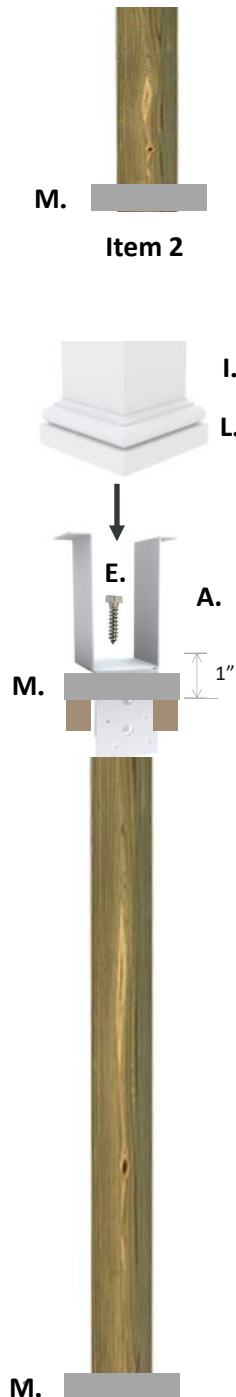




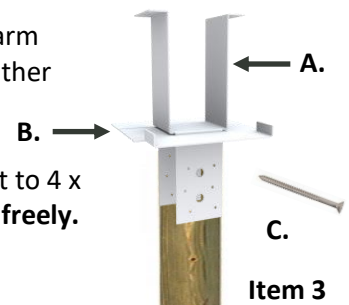
Installation Instructions

Free-Standing Harmony Pergola

Step 3 - Column Assembly



1. With the 4 x 4 post secured to the foundation, measure Column (I). Add 1/8" to 1/4" to column measurement and mark a line on the 4 x 4 post. Remove excess 4 x 4 length at the top with a saw.
2. Carefully slide Column Spacer (M) over 4 x 4 post and position at the base of the 4 x 4.
3. Align the grooves on the Cover Plate (B) with the Wing Bracket (A) arm extensions that fit over the 4 x 4 post. Slide the two brackets together and place on top of the 4 x 4 post. **Note: Wing Bracket (A) must face the same way as the other side so the Notched Beam (G) can be secured.** Use 8 qty. - 2.5" Screws (C) to attach Wing Bracket to 4 x 4 post through 4 predrilled holes. **Note: Cover Plate should move freely.**
4. Remove Cover Plate (B).
5. At the top of the 4 x 4 post, measure down 1" from the top and mark. Add 2 wood spacer blocks from excess 4 x 4 material measuring 3 1/2" wide by 1 1/2" high by 1 3/4" deep or use a pressure treated 2 x 4 and cut accordingly. Place wood spacers on the same side as the Notched Beam (G) opposite the metal Wing Bracket (A) and use 2 qty. 2.5" Stainless Steel Screws (C) to secure each block.
6. Squeeze the Wing Bracket (A) wings and tape together.
7. Slide the Tuscan Base (L) onto the bottom of the Harmony Square Column (I). The quick fit pressure tabs keep it secure.
8. Using 2 people, carefully slide the Harmony Square Column (I) and Tuscan Base (L) over the 4 x 4 post. Position accordingly. **Note: Do not force.**
9. Apply Adhesive (F) to the top side of the wooden spacers. Then carefully slide Column Spacer (M) over Wing Bracket (A) and 4 x 4 post and rest on top of wooden spacers. *Remove tape from Wing Bracket (A).*
10. Slide the Decorative Neck (K) over the top of the Harmony Square Column (I) and position accordingly. The quick fit pressure tabs keep it secure.
11. Slide the Tuscan Cap (J) over the top of the Harmony Square Column (I) and position so the top is even with the top of Harmony Square Column (I). The quick fit pressure tabs keep it secure.
12. Slide Cover Plate (B) into Wing Bracket (A). Align hole in Wing Bracket (A) and hole in Cover Plate (B) and secure with 2" Hex Bolt (E).
13. Repeat process for each post.





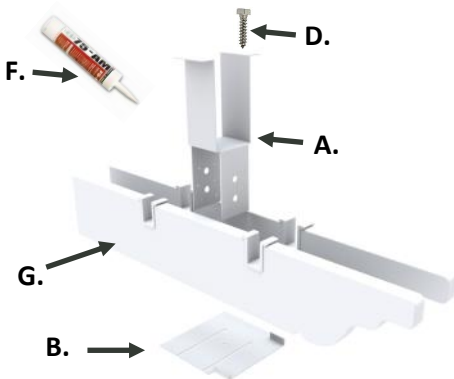
Installation Instructions

Free-Standing Harmony Pergola

(12 x 10, 12 x 12, 12 x 14, 12 x 16, 12 x 18, 12 x 20)

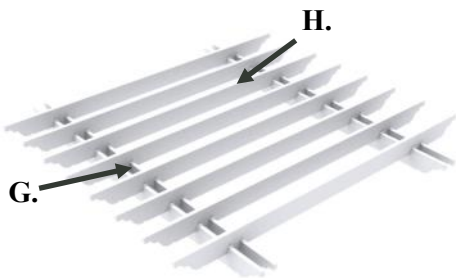
Step 4 - Roof Assembly

- Place first Notched Beam (G) onto Cover Plates (B) and adjust accordingly with Wing Brackets (A). Drill 2 pilot holes through top of Wing Bracket (A) as a guide into Notched Beam (G) using 3/16 drill bit. Using fine sand paper lightly scuff the inside of the Wing Bracket (A) and inside of Notched Beam (G), wipe clean and apply Adhesive (F) to inside of Wing Bracket (A) and press Notched Beam (G) into place. Secure Notched Beam (G) to Wing Bracket (A) using 4 qty. - 1" Bolt (D). **Do not over tighten.** Repeat for opposite end and other side. **Notches must align on both sides. Check alignment with Cross Beam width.**



- Place second Notched Beam (G) onto other side of Cover Plates (B) and adjust accordingly with Wing Brackets (A). **Notches must align, check alignment with short 2x4 or use Cross Beam width.** Drill 2 pilot holes through top of Wing Bracket (A) as a guide into Notched Beam (G) using 3/16 drill bit. Using fine sand paper lightly scuff the inside of the Wing Bracket (A) and inside of Notched Beam (G), wipe clean and apply Adhesive (F) to inside of Wing Bracket (A) and press Notched Beam (G) into place. Secure Notched Beam (G) to Wing Bracket (A) 4 qty. - using 1" Bolt (D). **Do not over tighten.** Repeat for opposite end and other side. **Notches must align for each side, check alignment with Cross Beam prior to drilling holes.**
- Set Cross Beam (H) on top of notch. Make sure Cross Beam (H) overhang is even on each side prior to securing into the notch. If Step 2 was done perfectly each Cross Beam (H) should fit easily into each notch.
- Once all Cross Beams (H) are in place, inspect overhang. To complete Cross Beam (H) installation, lift each end out of the notch just enough to apply a dab of Adhesive (F) to secure the Cross Beam (H) to Notched Beam (G).

Inspect all work prior to completion.





Pergola and Arbor Use and Care Instructions

Use and Care

Your Pergola / Arbor will provide years of maintenance free use under normal conditions. The materials used will withstand many years of normal weathering with no additional finishing required. However, dirt and acids from rain may discolor or dirty the finish. Clean using STET mild detergents is recommended.

To change the color or freshen the appearance, the roof beams and purlins of your pergola can be painted with an exterior oil based paint as the beam material is fiberglass. Prepare product according to paint manufacturer recommendations.

We are confident you and your friends will have years of enjoyment with your pergola / arbor. Please shop our complete line of outdoor living products on our website: www.outdoordistinctions.com.



Product Warranty Pergola and Arbor Products

Original Owners Limited Warranty

for Outdoor Distinctions, LLC Pergola/Arbor Products

COVERED BY THIS LIMITED WARRANTY:

Outdoor Distinctions, LLC (hereinafter Outdoor Distinctions) warrants to the original purchaser and not any other purchaser, or subsequent owner, that its Pergola/Arbor Product ("Product") is free from defects in material and workmanship including severe splitting, rusting, and corrosion resulting in a loss of Product's structural integrity for a period of five (5) years from date of purchase so long as the Product has never been moved from the original installation location. The original purchase receipt is required as proof of purchase. This limited warranty applies to Product constructed entirely of components manufactured and/or supplied by Outdoor Distinctions and not combined with any other components and installed according to Outdoor Distinctions Installation Instructions for Product.

OUTDOOR DISTINCTIONS'S SOLE OBLIGATION UNDER THIS LIMITED WARRANTY IS TO REPLACE THE DEFECTIVE PRODUCT OR COMPONENT THEREOF WITH A NEW OR REFURBISHED PRODUCT OR COMPONENT THEREOF, AFTER OUTDOOR DISTINCTIONS DETERMINES THAT A DEFECT IN MATERIAL OR WORKMANSHIP IS COVERED BY THE LIMITED WARRANTY.

OWNERSHIP OF LIMITED WARRANTY:

This limited warranty is nontransferable and can only be enforced by the original purchaser.

NOT COVERED BY THIS LIMITED WARRANTY:

Damage from normal wear and tear, expected weathering of product due to but not limited to exposure to vapor or acid rain, chalking, mildew, exposure to harmful chemicals, faulty or improper assembly and/or installation, settlement or failure of any structure on which the product(s) is installed, settlement or soil movement, misuses, abnormal or improper use, accident, alteration, neglect, abuse, abrasion, cosmetic cracks, air pollutants, improper service or installation, impact of foreign objects, or damage caused by flood, wind, hail, lightning, fire, or acts of God are not covered by this limited warranty.

GENERAL CONDITIONS AND EXCLUSIONS:

THE LIMITED WARRANTY DOES NOT INCLUDE THE COST OF LABOR TO INSTALL THE REPLACEMENT PRODUCT OR COMPONENTS, DELIVERY CHARGES, SALES TAX OR ANY OTHER CHARGES. INSTALLATION OF THE REPLACEMENT PRODUCT OR COMPONENTS INCLUDING ANY COST RELATING THERE TO IS THE RESPONSIBILITY OF THE ORIGINAL PURCHASER. OUTDOOR DISTINCTIONS DOES NOT PROVIDE INSTALLATION SERVICES OR LABOR.

THIS LIMITED WARRANTY IS THE SOLE WARRANTY FOR THIS PRODUCT. ANY OTHER WARRANTY, EITHER VERBAL OR WRITTEN (INCLUDING BUT NOT LIMITED TO ANY VERBAL OR WRITTEN WARRANTIES BY ANY OTHER PERSON OR AGENT), REGARDING THE PRODUCT IS SUPERCEDED BY THIS LIMITED WARRANTY.

(continued)



Product Warranty Pergola and Arbor Products

COVERED BY THIS LIMITED WARRANTY: (Continued)

IN NO EVENT SHALL OUTDOOR DISTINCTIONS BE LIABLE FOR ANY CONSEQUENTIAL, SPECIAL, OR INCIDENTAL DAMAGES ARISING OUT OF OR CONNECTED WITH THE PURCHASE OR USE OF THIS PRODUCT OR FOR ANY BREACH OF THIS LIMITED WARRANTY.

SOME STATES DO NOT ALLOW LIMITATIONS ON HOW LONG AN IMPLIED WARRANTY LASTS SO THE ABOVE PROVISION MAY NOT APPLY TO YOU. SOME STATES DO NOT ALLOW THE EXCLUSION OR LIMITATION OF INCIDENTAL OR CONSEQUENTIAL DAMAGES, SO THE ABOVE LIMITATION OR EXCLUSION MAY NOT APPLY TO YOU. THIS LIMITED WARRANTY GIVES YOU SPECIFIC LEGAL RIGHTS, AND YOU MAY HAVE OTHER RIGHTS THAT VARY FROM STATE TO STATE. THIS LIMITED WARRANTY IS APPLICABLE ONLY TO PRODUCT PURCHASED AND USED WITHIN THE UNITED STATES.

HOW YOU CAN GET SERVICE:

If you discover a potential warranty issue in relation to your Product during the limited warranty period, please contact Outdoor Distinctions Customer Service at (844) 345-2424. After having a reasonable time to review the original purchase receipt and the potential warranty issue, which may, at Outdoor Distinction's option, include inspection and/or return of the Product or inspection of photographs of the Product, Outdoor Distinctions will determine whether the potential warranty issue is covered by this limited warranty. In the event of replacement under the terms of this limited warranty, the original limited warranty shall apply to the replacement Product/component and said Product/component shall be covered by this limited warranty for the time remaining on the period of five (5) years from the date of original purchase.



WARNING Statement Pergola and Arbor Products




The following Warning Statements must be reviewed and followed to avoid injury or property damage. Save these instructions for future reference. If you are installing and assembling this unit for someone else, give these instructions to them to read and save for future reference.



- ⇒ **Improper installation, adjustment, alteration service or maintenance can cause injury or property damage.**
- ⇒ **Read the installation and use and care instructions thoroughly before installing this product.**
- ⇒ **Failure to follow these instructions could result in property damage, personal injury or death.**

- Free-Standing and Attached product is meant to be installed per manufacturer installation instructions. Any deviation from the written instructions could cause bodily injury or death.
- Attaching product to an existing structure must be constructed by national building code standards.
- Product design or manufacturing was not intended to be used as a structural system for carrying or supporting excess weight.
- Product was not designed or manufactured to support a hanging swing or hammock or similar type object.
- Product was designed and manufactured to tolerate their own weight, suitable for climbing plants, or outdoor accessories such as lightweight lights or outdoor ceiling fan.
- Products such as a grill, fire pit, or any other high temperate product is not recommended under the structure.
- Always use care when operating power tools and follow manufacturer recommendations.

 **WARNING:** This product can expose you to chemicals including styrene, which is known to the State of California to cause cancer and birth defects or other reproductive harm. For more information go to www.P65Warnings.ca.gov.