

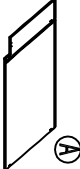
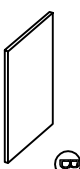
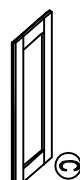
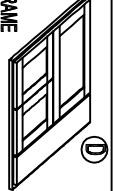




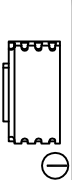
ASSEMBLY INSTRUCTIONS

This instruction applies to the following items:
VSB3621








DO NOT OVER TORQUE SCREWS WHEN ASSEMBLING
TOOL REQUIREMENTS



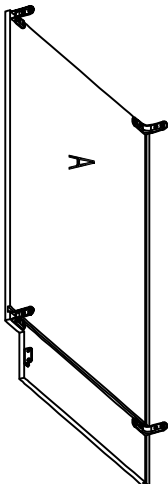
CABINET PARTS LIST

| | | |
|--|---|--|
|  A SIDE PANEL |  B BOTTOM PANEL |  C BACK PANEL |
|  D FRAME |  E SKIRTBOARD |  F DRAWER FRONT |
|  G DRAWER BOTTOM |  H DRAWER SIDE |  I DRAWER BACK |


COMPONENTS

| | | |
|---|---|--|
|  |  |  Ø3*12 |
|  Ø4*30 |  |  Ø3.5*14 |
|  | | |

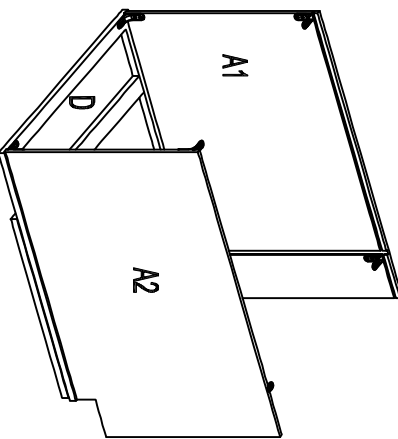
1



SCREW
Ø3*12

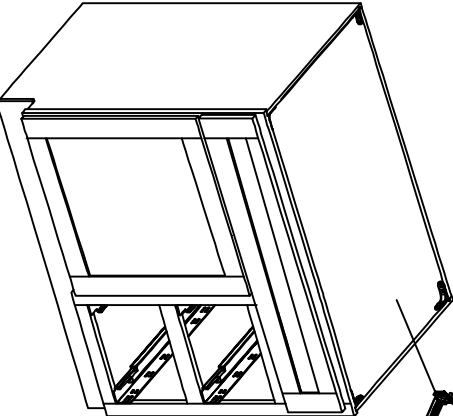



2

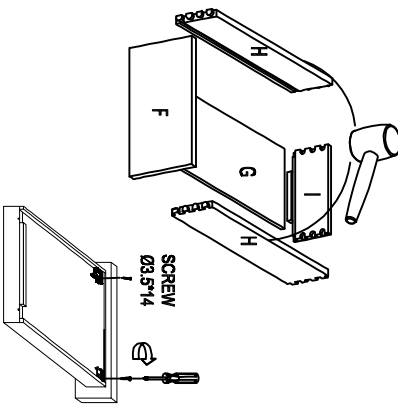


SCREW
Ø3*12


4

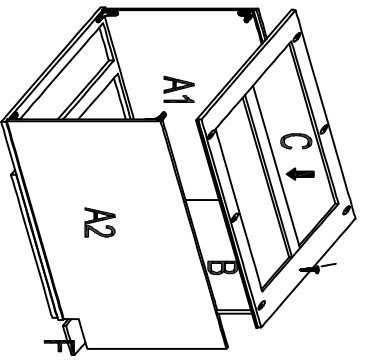
5




SCREW
Ø3.5*14



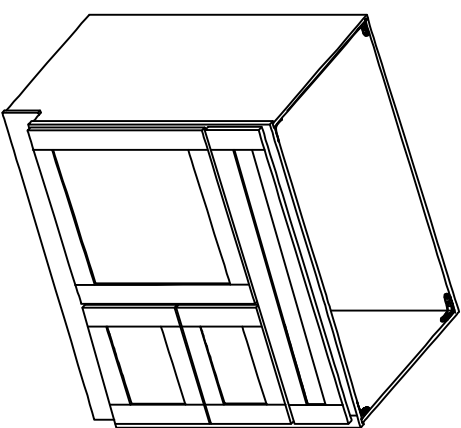

3



SCREW



6

(Tools are not included in the packaging)