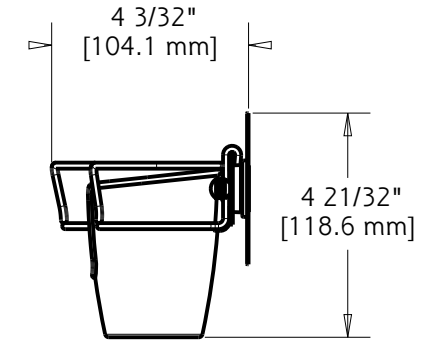
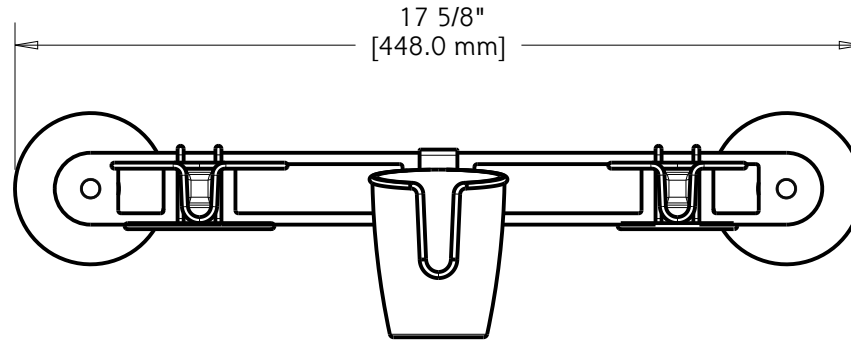
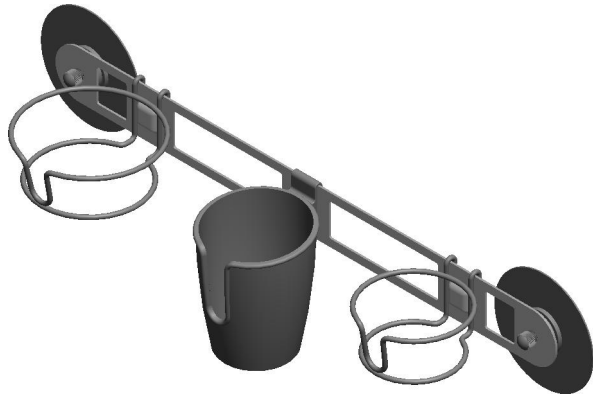


*Bath Storage - IncrediGrip™*

HAIR CARE HOLSTER



MATERIALS: Frame - CRS 1018  
 Dryer Holder - CRS 1018  
 Flat Iron Holder - CRS 1018  
 Basket - ABS

INSTALLATION: Do not position the IncrediGrip™ pads across any tile grout lines or other surface feature that could interfere with application. Clean surface areas where IncrediGrip™ pads will be installed with the provided Isopropyl Rubbing Alcohol pad or Windex® Original Glass Cleaner and a clean, lint free cloth. Firmly press on IncrediGrip™ pads and smooth the air bubbles out. Work from center towards the outer edges of the pads.

SPECIFICATION: Surface mounted Hair Care Holster shall be model \_\_\_\_\_  
 (fill in model number) by Liberty Hardware Manufacturing Corporation.

