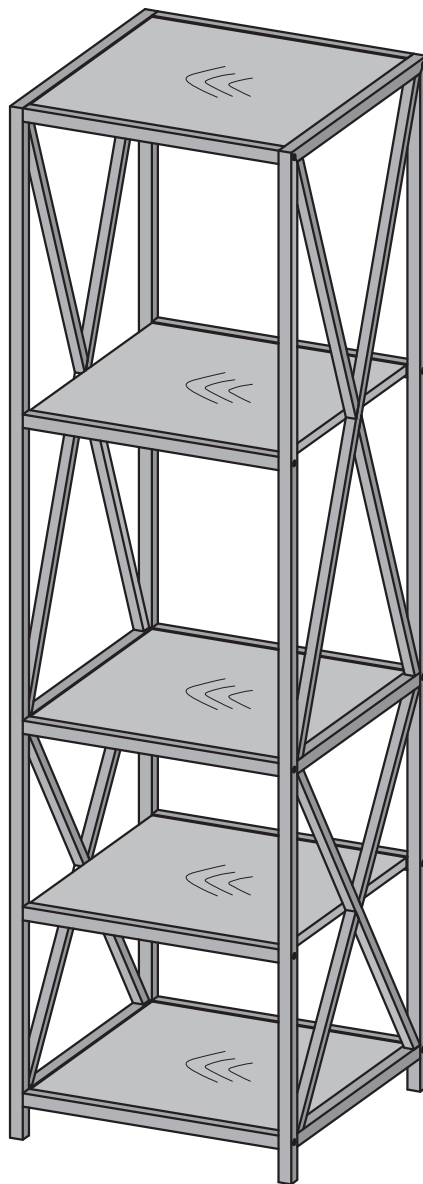


W Walker[®]
Edison
furniture company

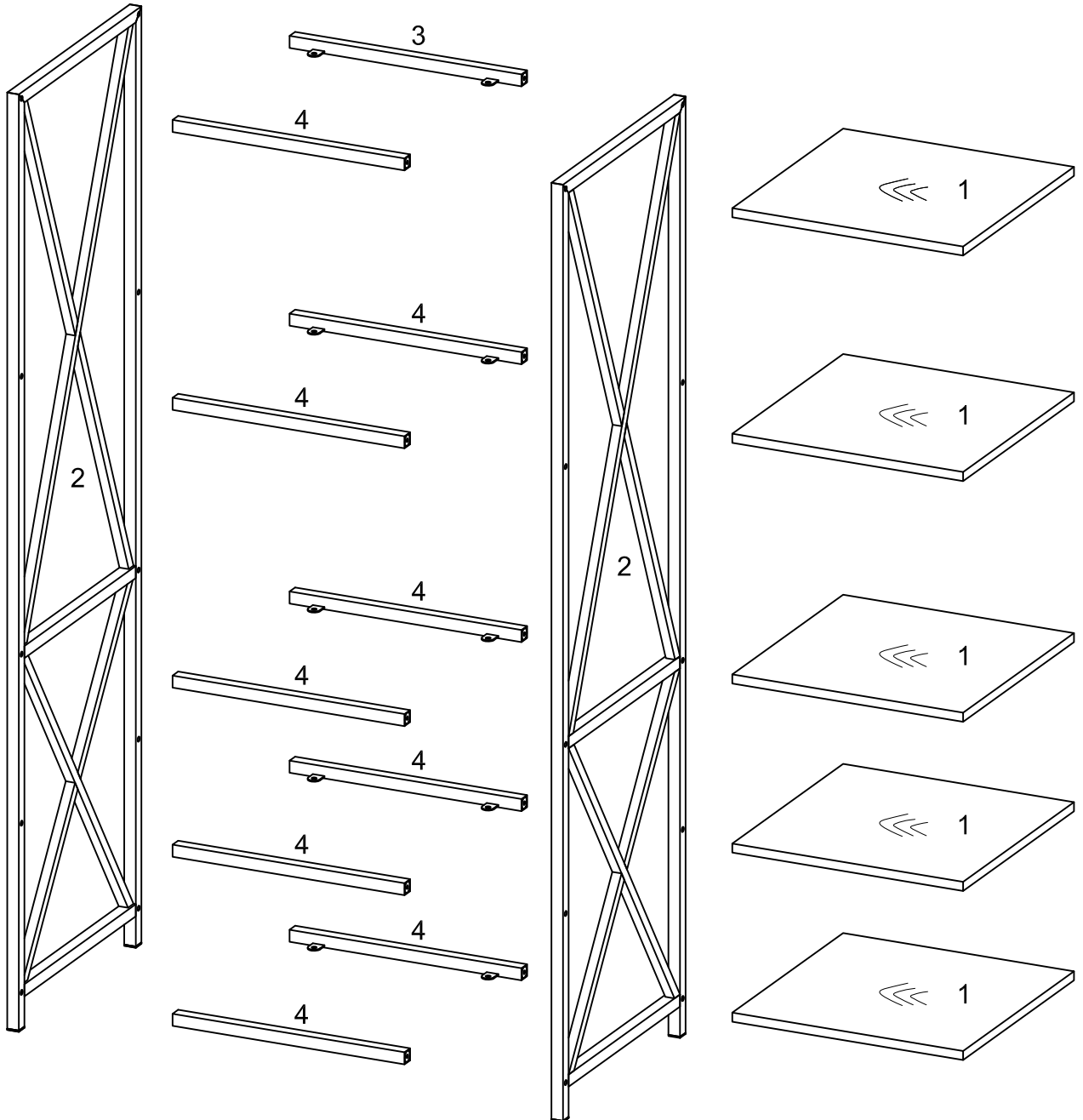
Item # : BST18XMW
Assembly Instructions




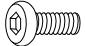
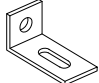
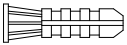
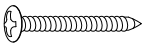

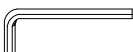
Please visit our website for the most current instructions, assembly tips, report damage, or request parts. www.walkeredison.com

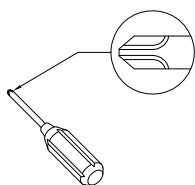
Revised 03/2017

Parts List



Hardware List

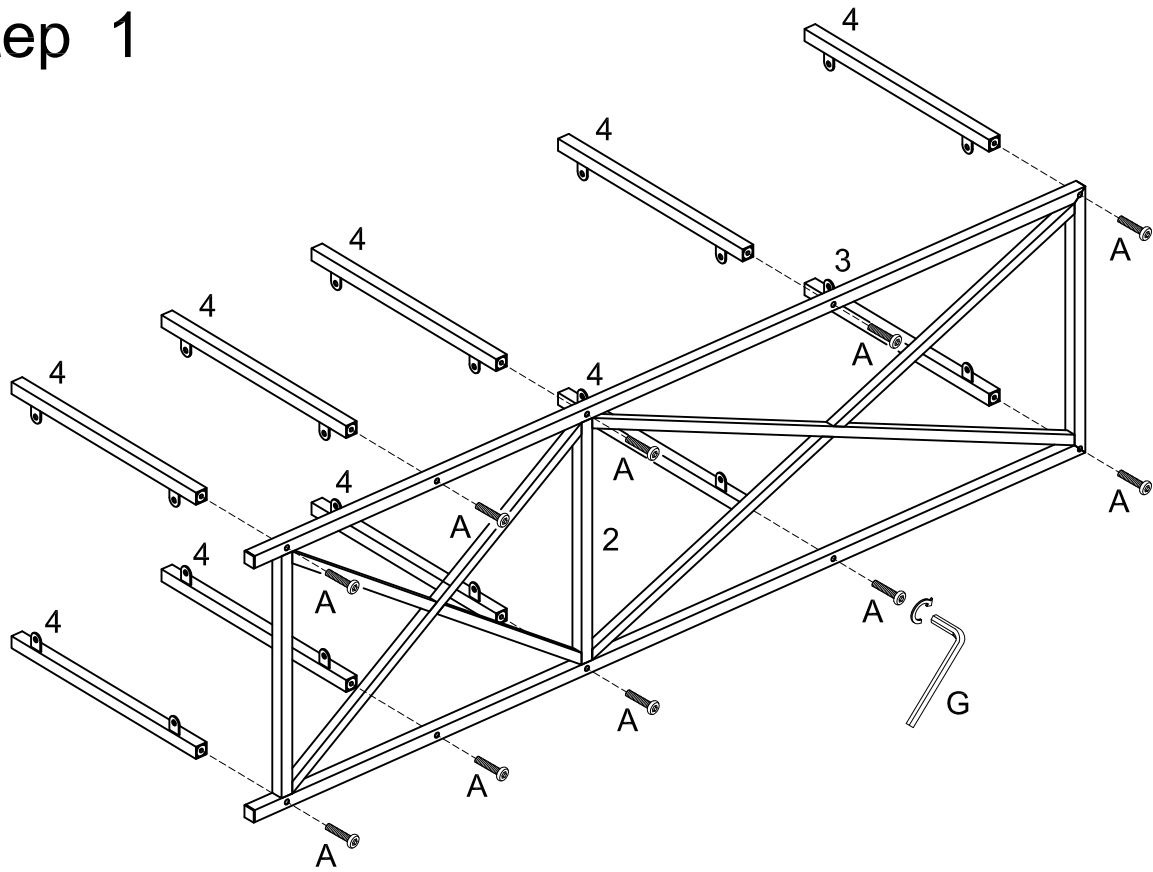
A		Ø1/4"*30mm	Bolt	20 pcs
B		Ø1/4"*12mm	Bolt	21 pcs
C		40*25*20mm	L shape bracket	1 pc
D		Ø6*30mm	Wall anchor	1 pc
E		Ø4*30mm	Screw	1 pc
F		Ø16*6.5*1.0mm	Washer	1 pc
G		M4*55mm	Wrench	1 pc



Philips head screwdriver required for assembly
(not included)

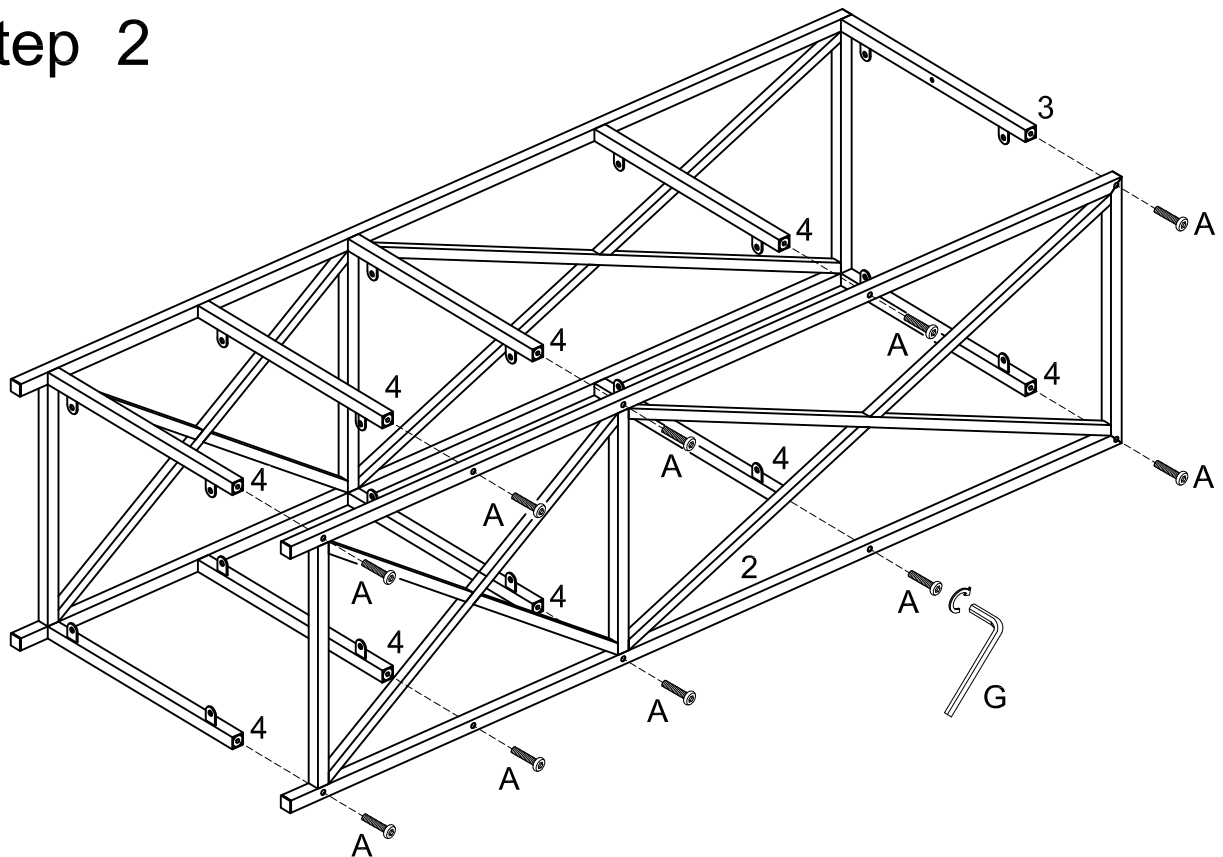
*The hardware quantities listed above are required for proper assembly.
Some extra hardware may also have been included.*

Step 1



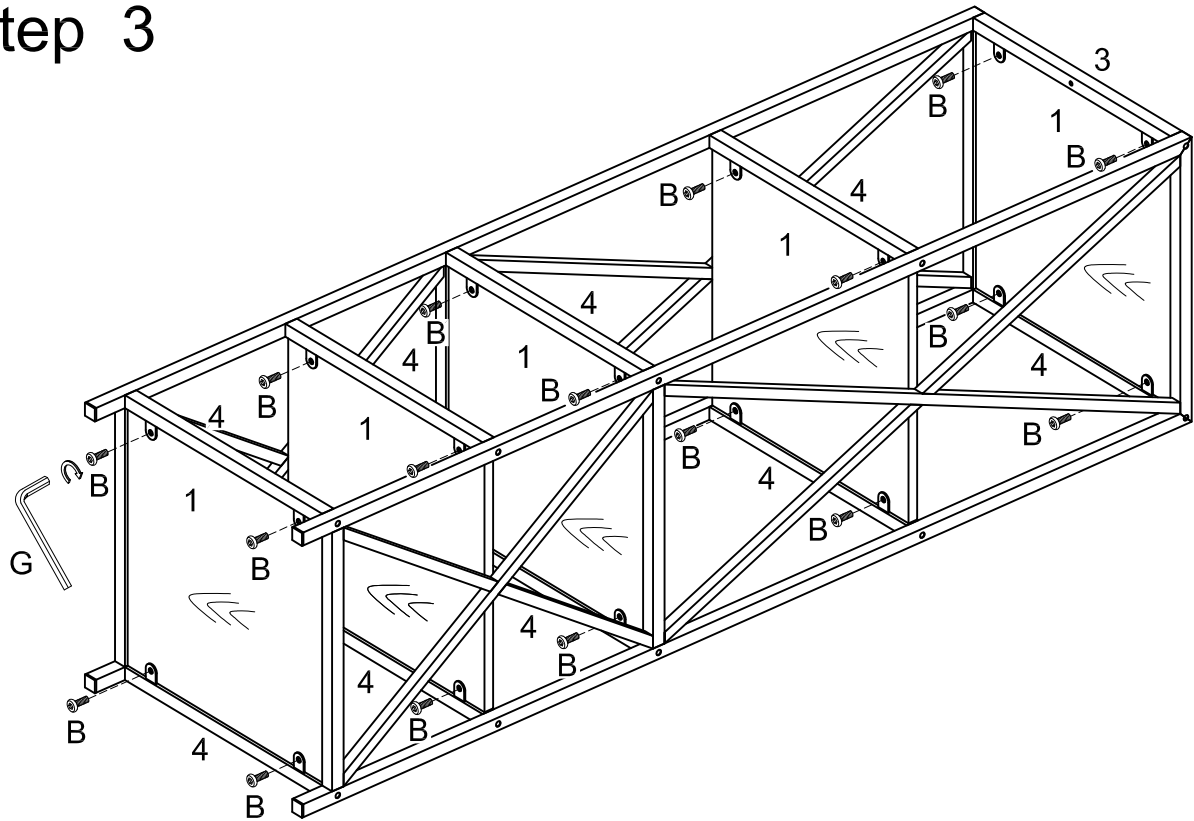
Use Wrench (G), Bolt (A) to secure the Support Bar (3, 4) to the Side Frame (2).

Step 2



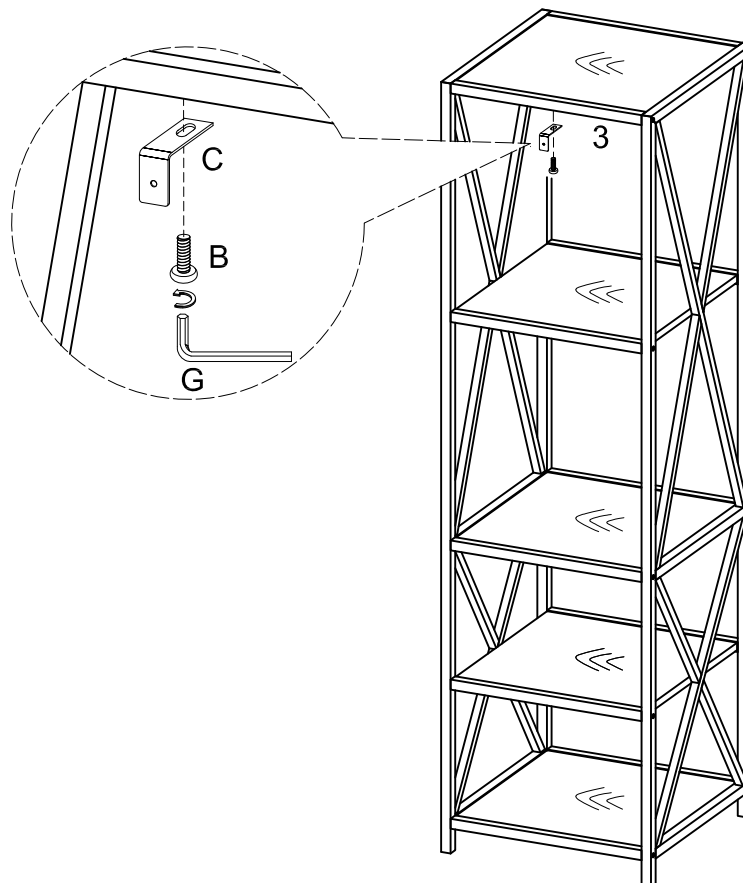
Use Wrench (G), Bolt (A) to secure the Support Bar (3, 4) to the Side Frame (2).

Step 3



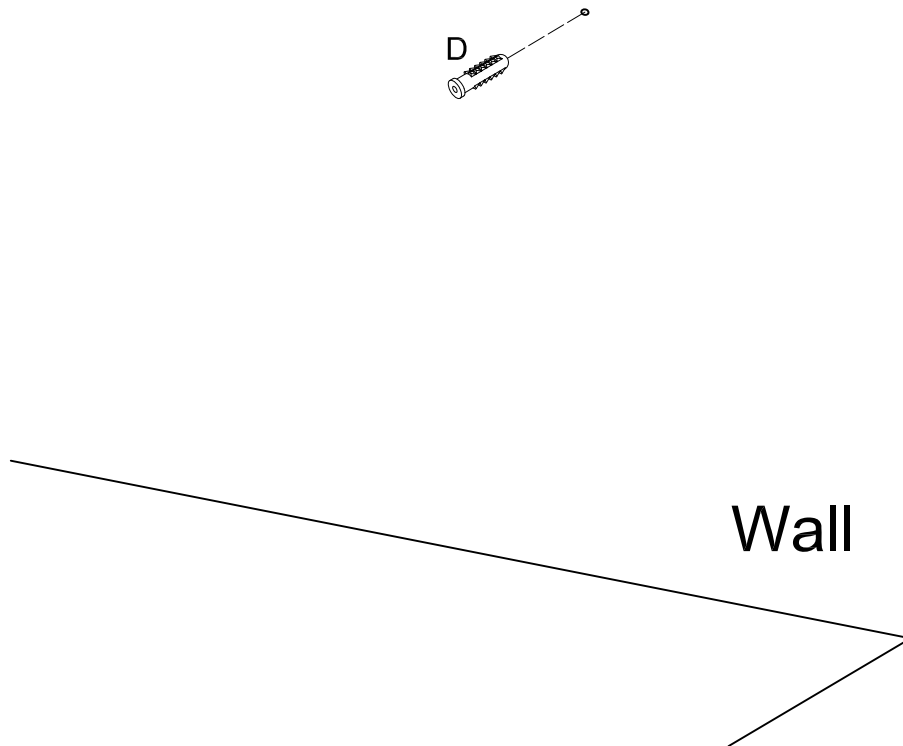
Use Wrench (G), Bolt (B) to secure the shelf (1) to the Support Bar (3, 4).

Step 4



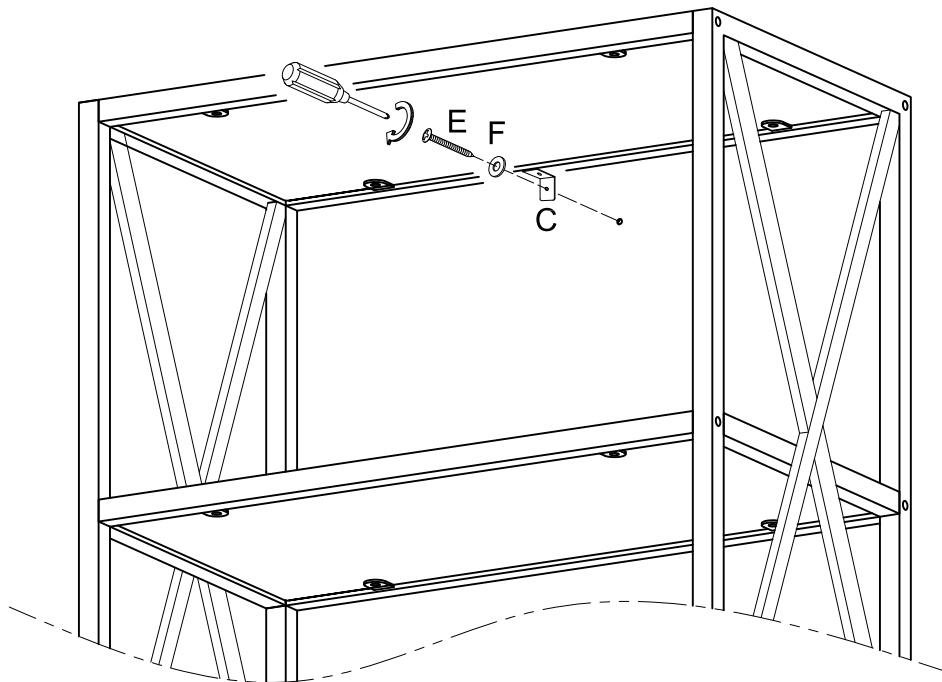
Use Wrench (G), Bolt (B) to secure the L Shape Bracket (C) to the Support Bar (3).

Step 5



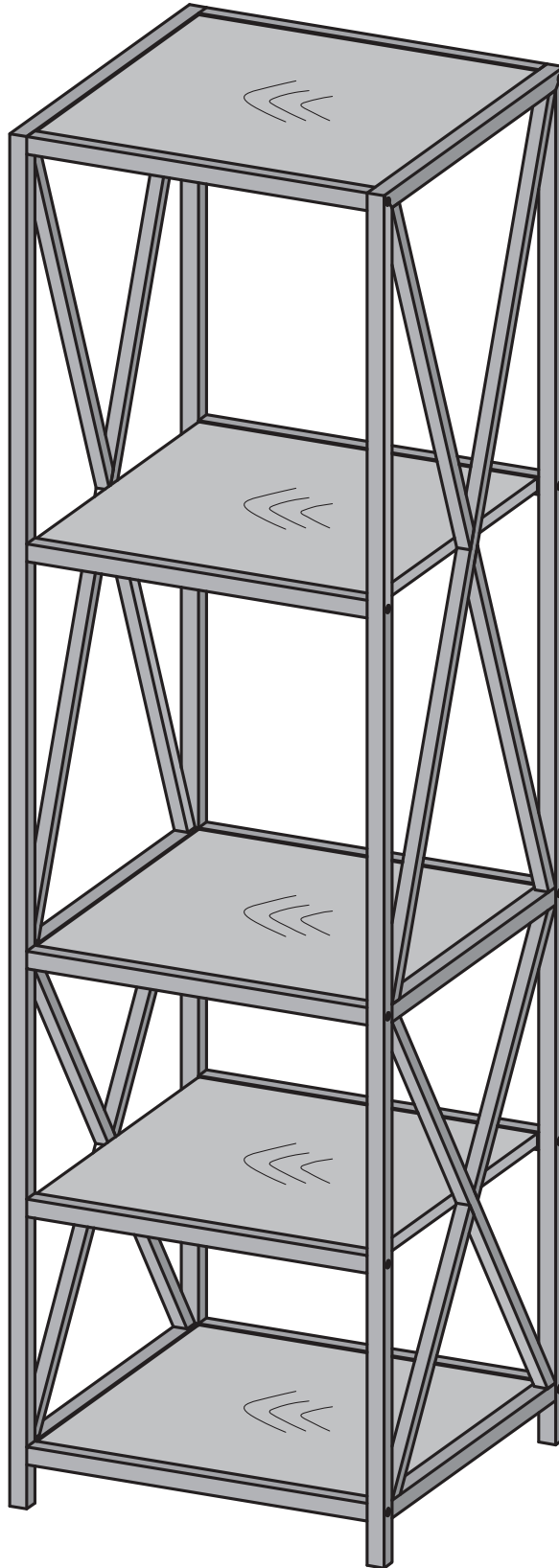
Insert the Wall Anchor (D) to the Wall.

Step 6



Secure the Screw (E), Washer (F) and L Shape Bracket (C) against the Wall as per diagram.

Step 7



Final Assembly