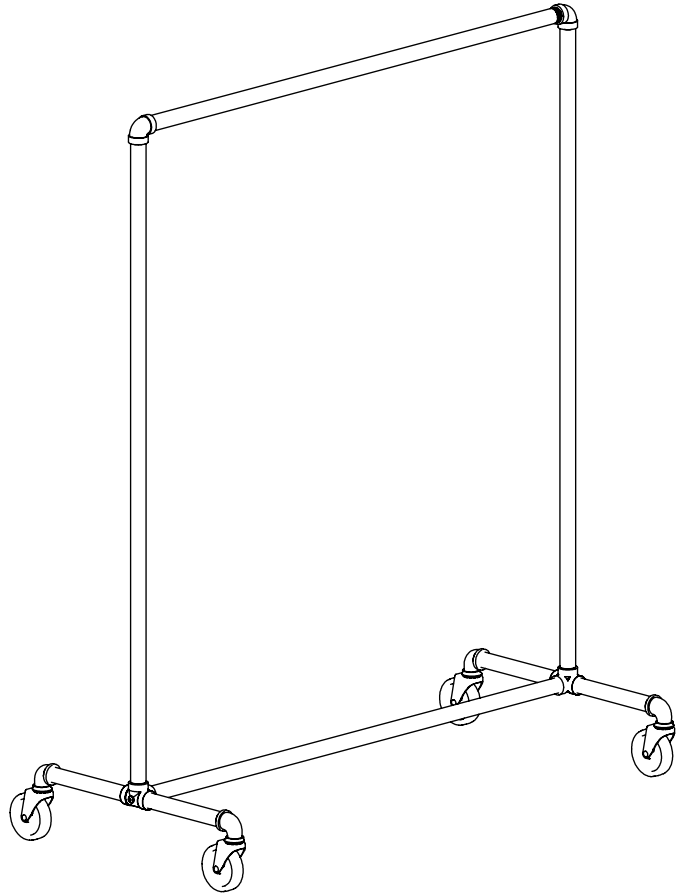
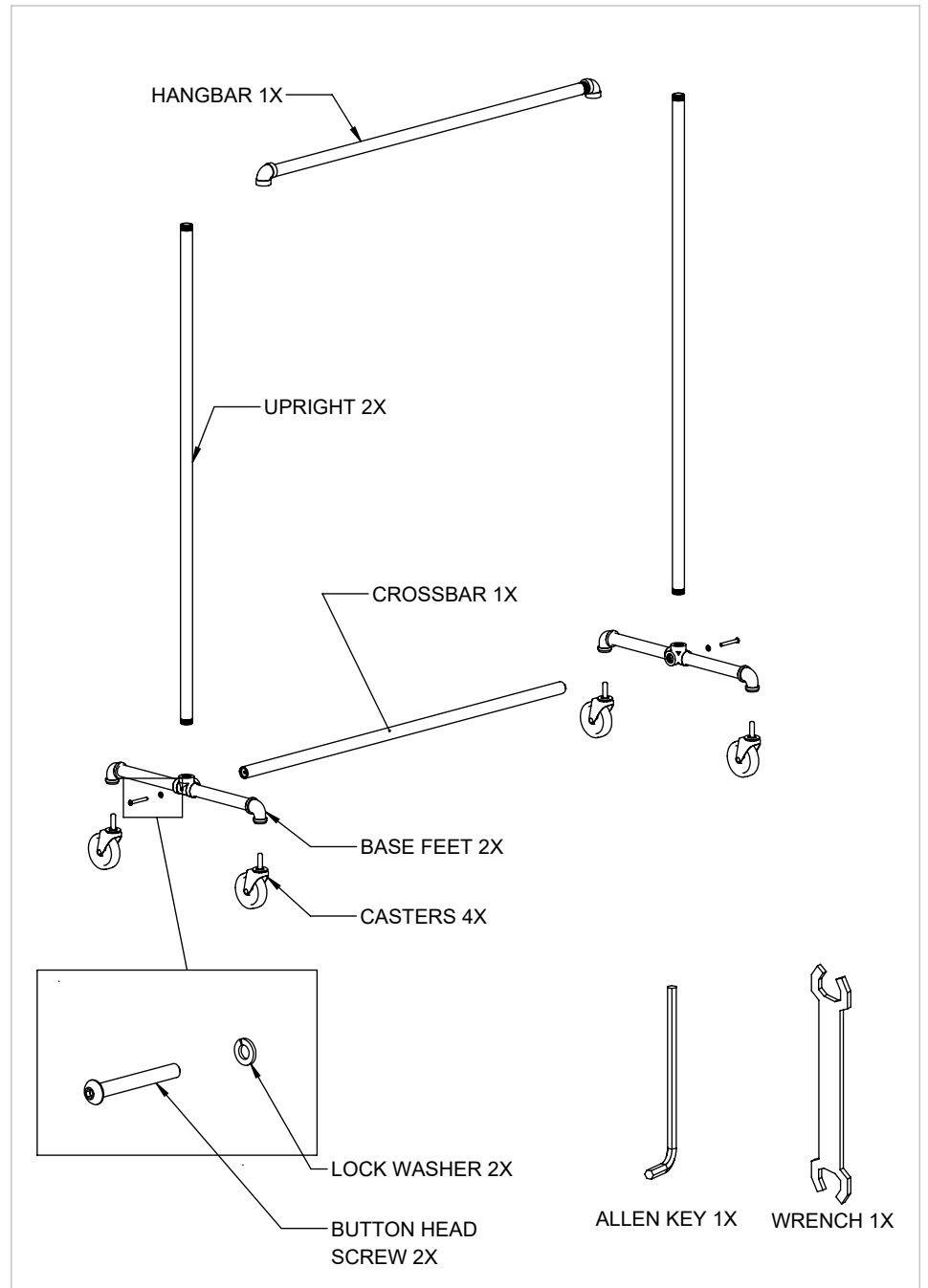


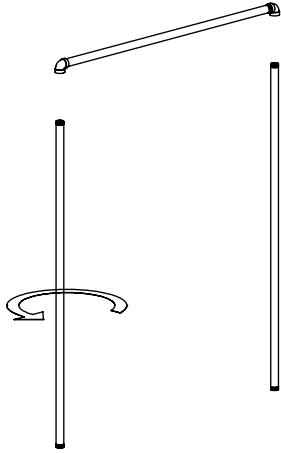
**ASSEMBLY
INSTRUCTIONS FOR:
PSBB, PSBBWTE, PSBB60**



PSBB, PSBBWTE, PSBB60

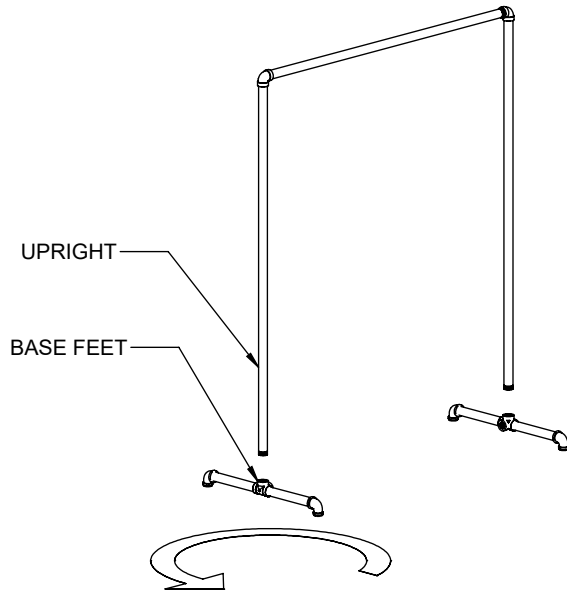


1



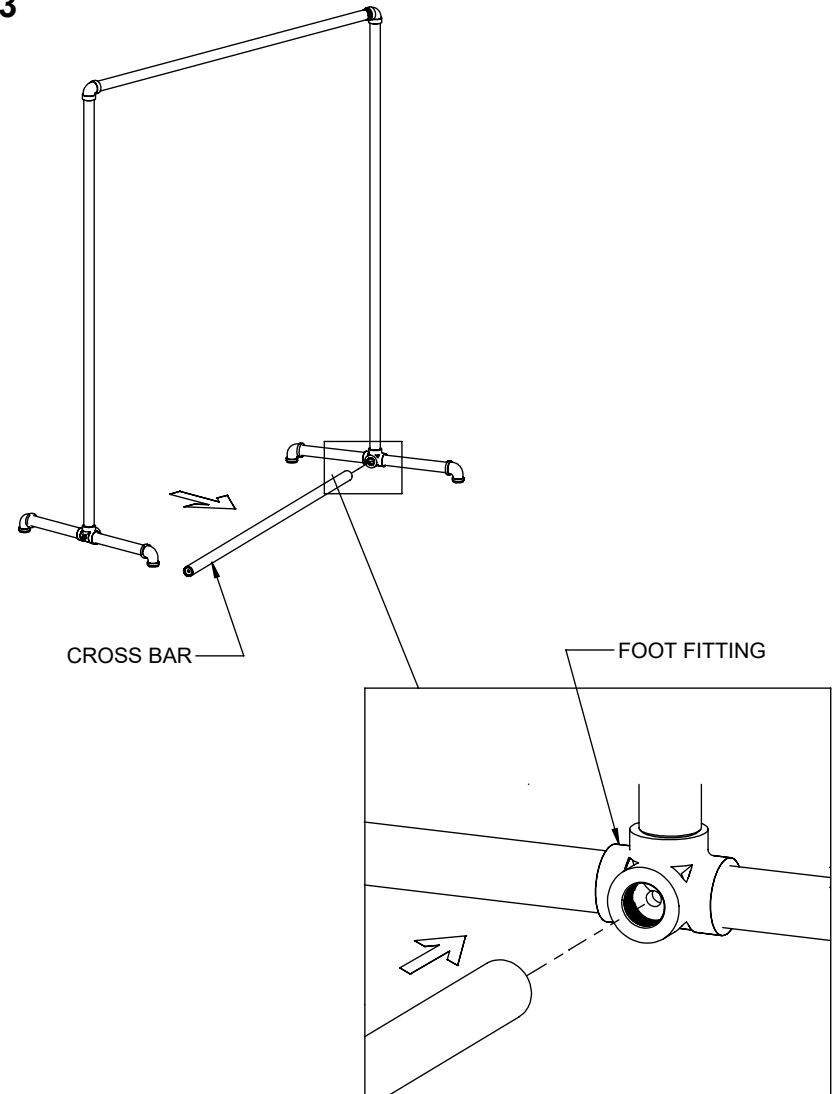
- BY HAND, SCREW BOTH UPRIGHTS INTO HANGBAR. MAKE AS TIGHT AS POSSIBLE

2



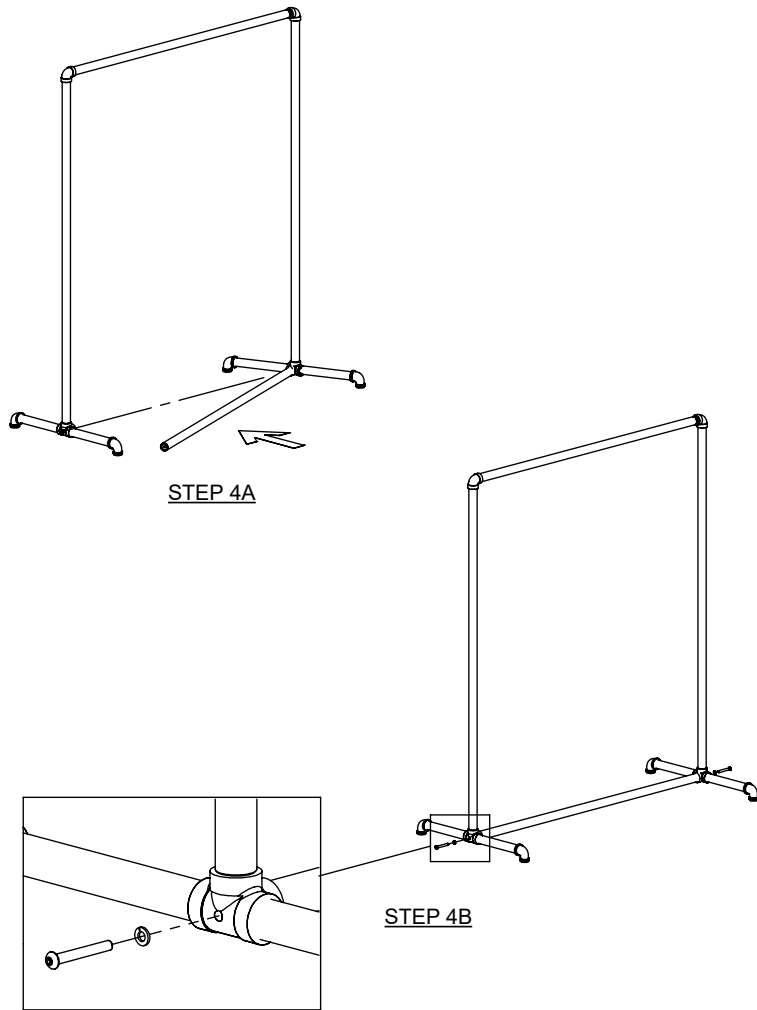
- BY HAND, SCREW BOTH BASE FEET ONTO UPRIGHTS AS TIGHT AS POSSIBLE AND ALIGN SO FOOT FITTINGS ARE FACING EACH OTHER.
- **NOTE: THE BASE FEET MAY NEED TO BE PARTIALLY UNSCREWED TO ACCOMPLISH THIS.**

3



- TURN OUT THE BASE FEET ENOUGH SO THE CROSS BAR CAN BE INSERTED INTO THE FOOT FITTING.

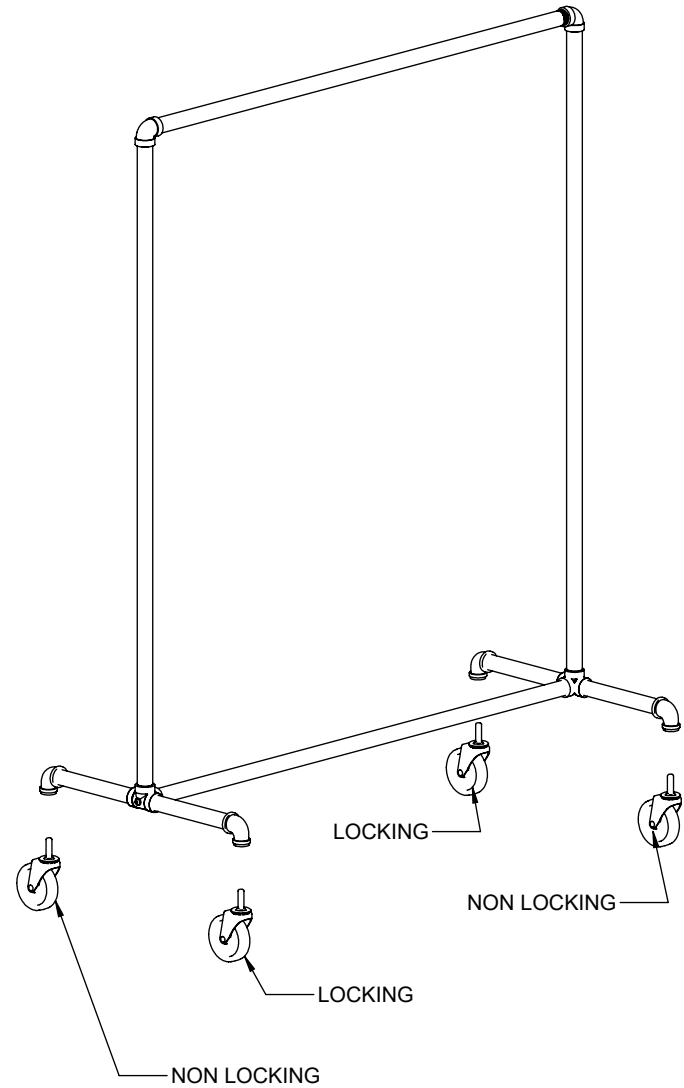
4



- STEP 4A**
- ROTATE THE BASE FOOT AND CROSSBAR BACK TO CENTER AND INSERT THE CROSS BAR INTO THE OTHER FOOT FITTING.

- STEP 4B**
- SECURE THE CROSS BAR WITH THE BUTTON HEAD SCREWS AND LOCK WASHERS AS SHOWN WITH THE INCLUDED ALLEN KEY.

5



- INSTALL CASTERS USING THE INCLUDED WRENCH.