

# STERLING®

A KOHLER COMPANY

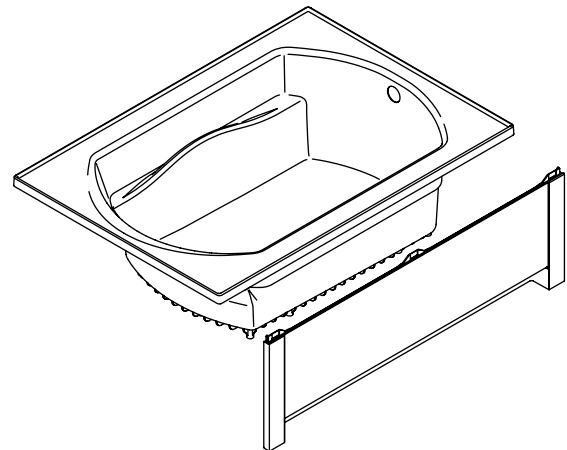
LAWSON™

## Features

- Compression molded from our exclusive solid Vikrell® material
- Shipped with a bath liner to protect product during installation
- 10-year consumer/3-year commercial limited warranty
- Durable high-gloss finish
- Optional attached apron 71268100
- 60" (1524 mm) x 42" (1067 mm) x 20-5/16" (516 mm) rough-in dimensions include flanges
- 60" (1524 mm) x 42" (1067 mm) x 20-5/16" (516 mm) finished dimensions

42" (1067 mm) DROP-IN BATH  
**71281100**

ALSO 71281300, 73281100



## Codes/Standards Applicable

Specified model meets or exceeds the following:

- ANSI Z124.1.2
- ASTM E162
- ASTM E662
- CSA B45
- CSA B45.5

## Colors/Finishes

- 0: White
- Other: Refer to Price Book for additional colors/finishes

## Specified Model

Model	Description	Colors/Finishes	
71281100	60" (1524 mm) x 42" (1067 mm) drop-in bath	<input type="checkbox"/> 0	<input type="checkbox"/> Other _____
71281500	60" (1524 mm) x 42" (1067 mm) drop-in bath, 5 pack	<input type="checkbox"/> 0	<input type="checkbox"/> Other _____

## Technical Information

Fixture*:	
Basin area:	
Bathing well	44" (1118 mm) x 25-3/4" (654 mm)
Top area	51" (1295 mm) x 32-3/4" (832 mm)
To overflow:	
Water depth	15-1/4" (387 mm)
Capacity	68 gal (257.4 L)
* Approximate measurements for comparison only.	

Model	door maximum width	door maximum height
All	60" (1524 mm)*	NA*
* Varies with alternative walls.		

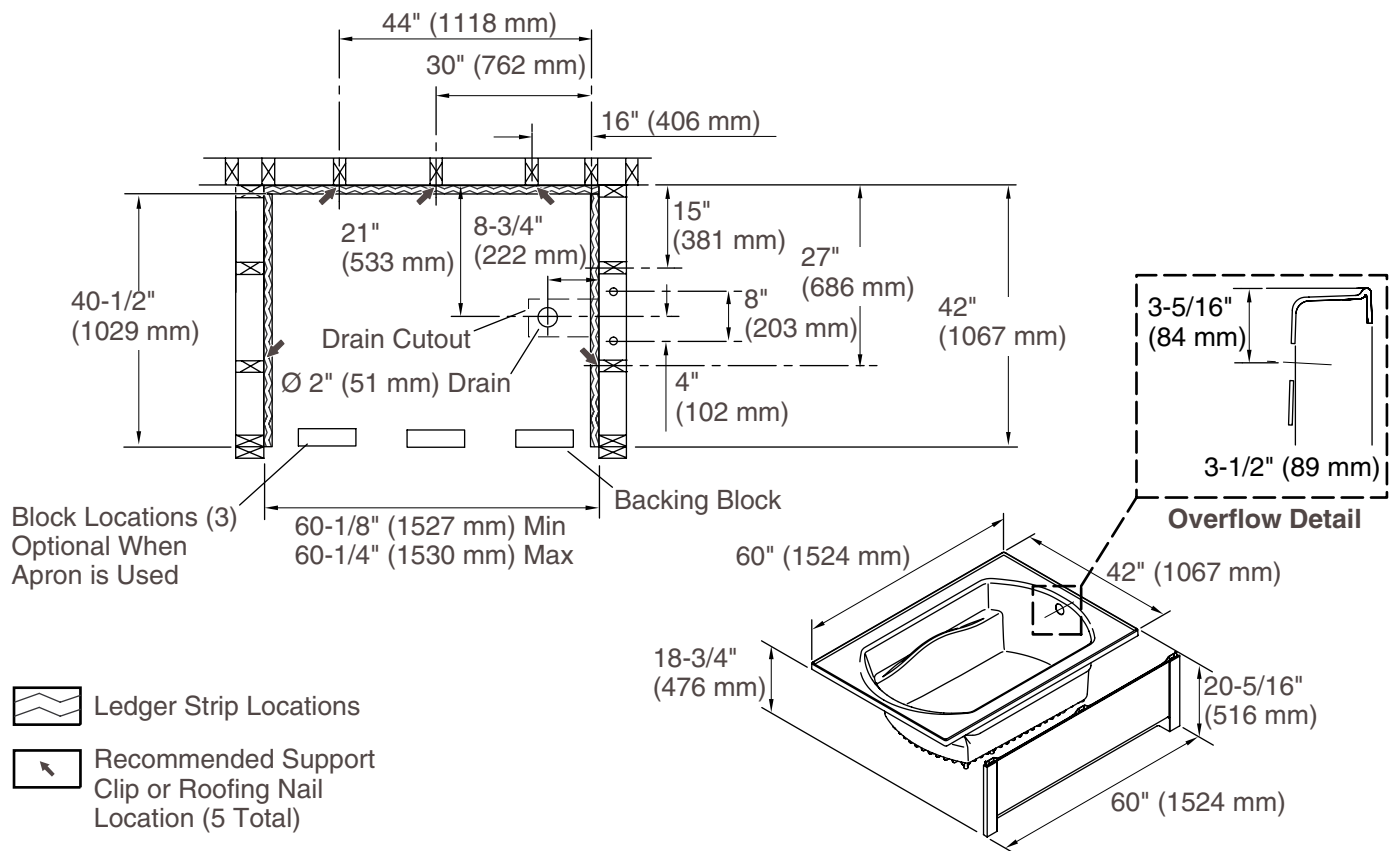
## Installation Notes

Install this product according to the installation guide.

Size the drain cutout to fit the drain assembly that will be used.

Stud positioning is critical if nailing-in flanges are to be used.

Studs should be positioned roughly as shown for support clip or roofing nail installation.



## Product Diagram