



Residential Tankless Water Heaters

Installation

Start-Up

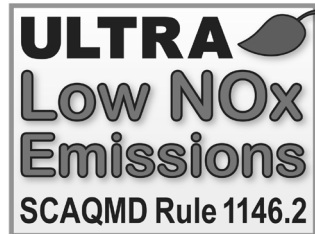
Maintenance

Parts

Warranty

WGRT150 / WGRT**199 Models**

****“NG” Denotes Natural Gas; “LP” Denotes Propane Gas**



⚠ DANGER

This manual must only be used by a qualified installer / service technician. Read all instructions in this manual before installing. Perform steps in the given order. Failure to do so could result in substantial property damage, severe personal injury, or death.

⚠ WARNING

Improper installation, adjustment, alteration, service, or maintenance could void product warranty and cause property damage, severe personal injury, or death.

California Proposition 65 Warning: This product contains chemicals known to the State of California to cause cancer, birth defects, or other reproductive harm.

NOTICE

The manufacturer reserves the right to make product changes or updates without notice and will not be held liable for typographical errors in literature.

The surfaces of these products contacted by potable (consumable) water contain less than 0.25% lead by weight as required by the Safe Drinking Water Act, Section 1417.

NOTE TO CONSUMER: PLEASE KEEP ALL INSTRUCTIONS FOR FUTURE REFERENCE.

▲ WARNING

WARNING: If the information in these instructions is not followed exactly, a fire or explosion may result causing property damage, personal injury or death.

- Do not store or use gasoline or other flammable vapors and liquids in the vicinity of this or any other appliance.

WHAT TO DO IF YOU SMELL GAS

- Do not try to light any appliance.
- Do not touch any electrical switch; do not use any phone in your building.
- Immediately call your gas supplier from a neighbor's phone. Follow the gas supplier's instructions.
- If you cannot reach your gas supplier, call the fire department.
- Installation and service must be provided by a qualified installer, service agency or the gas supplier.

Improper installation, adjustment, alteration, service, or maintenance can cause injury, property damage, or death. Refer to this manual. Installation and service must be performed by a qualified installer, service agency, or gas supplier.



FOR YOUR SAFETY READ BEFORE OPERATING



WARNING : If you do not follow these instructions exactly, a fire or explosion may result causing property damage, personal injury or loss of life."

- A. This appliance does not have a pilot. It is equipped with an ignition device which automatically lights the burner. Do not try to light the burner by hand.
- B. **BEFORE OPERATING** smell all around the appliance area for gas. Be sure to smell next to the floor because some gas is heavier than air and will settle on the floor.
- WHAT TO DO IF YOU SMELL GAS**
- Do not touch any electric switch; do not use any phone in your building.
 - Do not try to light any appliance.
 - Immediately call your gas supplier from a neighbor's phone. Follow the gas supplier's instructions.
 - If you cannot reach your gas supplier, call the fire department.
- C. Use only your hand to push in or turn the gas control knob. Never use tools. If the knob will not push in or turn by hand, don't try to repair it, call a qualified technician. Force or attempted repair may result in a fire or explosion.
- D. Do not use this appliance if any part has been under water. Immediately call a qualified technician to inspect the appliance and to replace any part of the control system and any gas control which has been under water.

OPERATING INSTRUCTIONS

1. STOP! Read the safety information above on this label.
2. Set the thermostat to lowest setting.
(Never use Water Heater unless it is completely filled with water.)
3. Turn OFF electrical power supply to the Water Heater.
4. Don't try to light the burner by hand.
5. Turn gas shut-off valve clockwise  to "OFF" position. Do not force.
6. Wait five (5) minutes to clear out any gas. If you then smell gas, STOP! Follow step "B" above on this label. If you don't smell gas, go to the next step.
7. Turn manual gas shut-off valve counterclockwise  to "ON" position.
8. Turn ON electrical power to the appliance.
9. Wait until default temperature (125°F) is displayed. Set desired water temperature. Turn on hot water faucet.
10. Set thermostat to desired setting.
11. If the appliance will not operate, follow the instructions "To Turn Off Gas To Appliance" and call your service technician or gas supplier.

TO TURN OFF GAS TO APPLIANCE

1. Set the thermostat to lowest setting.
2. Turn off all electric power to the appliance if service is to be performed.
3. Turn manual gas shutoff valve to "OFF".

SPECIAL ATTENTION BOXES

The following defined terms are used throughout this manual to bring attention to the presence of hazards of various risk levels or to important product information.

▲ DANGER

DANGER indicates an imminently hazardous situation which, if not avoided, will result in serious personal injury or death.

▲ WARNING

WARNING indicates a potentially hazardous situation which, if not avoided, could result in personal injury or death.

▲ CAUTION

CAUTION indicates a potentially hazardous situation which, if not avoided, may result in moderate or minor personal injury.

CAUTION

CAUTION used without the safety alert symbol indicates a potentially hazardous situation which, if not avoided, may result in property damage.

NOTICE

NOTICE is used to address practices not related to personal injury.

Foreword

This manual is intended to be used in conjunction with other literature provided with the water heater. This includes all related control information. It is important that this manual, all other documents included in this system, and additional publications including the *Code for the Installation of Heat Producing Appliances* and *National Fuel Gas Code - ANSI Z223.1* (latest versions), be reviewed in their entirety before beginning any work.

Installation should be made in accordance with the regulations of the Authority Having Jurisdiction, local code authorities, and utility companies which pertain to this type of water heating equipment.

Authority Having Jurisdiction (AHJ) – The AHJ may be a federal, state, local government, or individual such as a fire chief, fire marshal, chief of a fire prevention bureau, labor department or health department, building official or electrical inspector, or others having statutory authority. In some circumstances, the property owner or his/her agent assumes the role, and at government installations, the commanding officer or departmental official may be the AHJ.

NOTE: The manufacturer reserves the right to modify product technical specifications and components without prior notice.

For the Installer

This water heater must be installed by qualified and licensed personnel. The installer should be guided by the instructions furnished with the water heater, and by local codes and utility company requirements. In the absence of local codes, preference should be given to the *National Fuel Gas Code - ANSI Z223.1*, latest version.

Installations Must Comply With:

Local, state, provincial, and national codes, laws, regulations, and ordinances.

The latest version of the *National Fuel Gas Code, ANSI Z223.1*, from American Gas Association Laboratories, 8501 East Pleasant Valley Road, Cleveland, OH 44131.

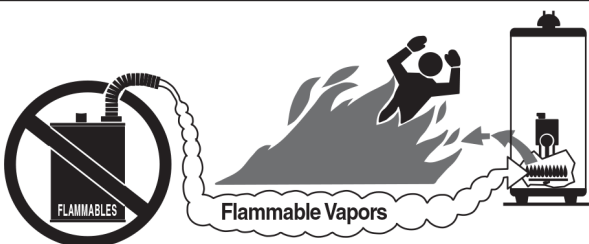
In Canada - *CGA No. B149* (latest version), from Canadian Gas Association Laboratories, 55 Scarsdale Road, Don Mills, Ontario, Canada M3B 2R3. Also, *Canadian Electrical Code, C 22.1*, from Canadian Standards Association, 5060 Spectrum Way, Suite 100, Mississauga, Ontario, Canada L4W 5N6.

Code for the Installation of Heat Producing Appliances (latest version) from American Insurance Association, 85 John Street, New York, NY 11038.

The latest version of the *National Electrical Code, NFPA No. 70*.

NOTE: The gas manifold and controls met safe lighting and other performance criteria when undergoing tests specified in *ANSI Z21.10.3* - latest edition.

⚠ DANGER



⚠ Vapors from flammable liquids will explode and catch fire causing death or severe burns.
Do not use or store flammable products such as gasoline, solvents or adhesives in the same room or area near the water heater.
Keep flammable products:

1. far away from heater,
2. in approved containers,
3. tightly closed and
4. out of children's reach.

Water heater has a main burner and pilot flame.
The pilot flame:

1. which can come on at any time and
2. will ignite flammable vapors.

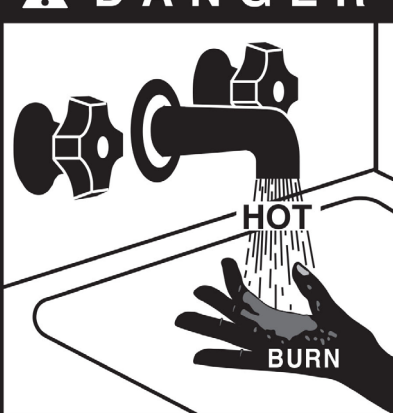
Vapors:

1. cannot be seen,
2. are heavier than air,
3. go a long way on the floor and
4. can be carried from other rooms to the pilot flame by air currents.

Installation:
Do not install water heater where flammable products will be stored or used unless the main burner and pilot flames are at least 18" above the floor. This will reduce, but not eliminate, the risk of vapors being ignited by the main burner or pilot flame.

Read and follow water heater warnings and instructions. If owners manual is missing, contact the retailer or manufacturer.

⚠ DANGER



Water temperature over 125°F can cause severe burns instantly or death from scalds.

Children, disabled and elderly are at highest risk of being scalded.

See instruction manual before setting temperature at water heater.

Feel water before bathing or showering.

Temperature limiting valves are available, see manual.

Table of Contents

Part 1 - General Safety Information	4	Part 9 - Controls	49
A. Operation and Installation Warnings	4	A. Control and Display Overviews	49
B. Improper Combustion	6	B. Start-Up Sequence	49
C. Gas	6	C. Changing the DHW Set-Point	50
D. When Servicing the Water Heating System	6	D. Changing the Temperature Indicator	50
E. Water Chemistry Requirements	6	E. Status Display	51
F. Freeze Protection	6	F. Installer Mode	52
G. Water Temperature Adjustment and Scalding	6	G. Setting Up a Cascaded System	53
H. High Elevation Installations	7	Part 10 - Troubleshooting	54
Part 2 - Before You Start	7	A. Error Code	54
A. What's in the Box	8	B. Error Tree Analysis	57
B. Optional Equipment	8	1. Flame Detection	57
Part 3 - Prepare the Water Heater Installation	9	2. Air Pressure Switch Detection	57
A. Locating the Water Heater	9	3. Inlet / DHW / Operating Temperature / Exhaust Sensors	58
B. Leveling	10	C. Suggested Corrective Actions	58
C. Clearances for Service Access	10	Part 11 - Installation Checklist	60
D. Residential Garage and Closet Installations	10	Part 12 - Maintenance	62
E. Exhaust Vent and Intake Pipe	10	Part 13 - Replacement Parts	66
1. Direct Vent of Exhaust and Intake	10	Limited Warranty for Tankless Water Heaters	71
2. Power Venting, Indoor Combustion Air in Confined or Unconfined Space	11	Notes	73
F. Carbon Monoxide Detectors	11	Customer Installation Record Form	74
G. Prevent Combustion Air Contamination	11		
H. Removing a Heater from a Common Vent System	12	Part 1 - General Safety Information	
I. Technical Specifications	13	This water heater is approved for indoor installations only and is not	
J. Wall-Mounting	16	intended for use as a pool heater. Clearance to combustible materials:	
Part 4 - Water Piping	18	0" top, bottom, sides, and back. Heater must have room for service:	
A. General Plumbing Guidelines	18	24" front, 3" left and right sides, 9" top, 12" bottom, and 0" back are	
B. Backflow Preventer	18	minimum recommended service clearances. (A combustible door	
C. Potable Expansion Tank	18	or removable panel is acceptable front clearance. A 3" minimum	
D. Piping the Water Heater	18	clearance must be provided from the appliance front cover to the	
E. Applications	19	removable panel or combustible door.) This water heater has been	
F. Circulator Sizing	19	approved for closet installation and installation on combustible	
G. Pressure Relief Valve	24	flooring. Do not install directly on carpeting. Install the water heater	
H. Filling the Heater	24	in a location where temperature and pressure relief valve discharge	
Part 5 - Venting	25	or a leak will not result in damage to the surrounding area. If such a	
A. General	25	location is not available, install an auxiliary catch pan. The appliance	
B. Approved Materials for Exhaust Vent and Intake Pipe	25	is rated Category IV (pressurized vent, likely to form condensate in	
C. Additional Requirements for Installation in Canada	26	the vent) and requires a special vent system designed for pressurized	
D. Exhaust Vent and Intake Pipe Location	27	venting. Use only Category IV vent systems.	
E. Exhaust Vent and Intake Pipe Sizing	28		
F. Tightening Water Heater Collar to Exhaust Vent and Intake Pipe	29	 WARNING	
G. Exhaust Vent and Intake Pipe Installation	29	Installer - Read all instructions in this manual before installing.	
H. Applications	30	Perform steps in the given order.	
1. Direct Vent Installation of Exhaust and Intake	30	User - This manual is for use only by a qualified installer / service	
2. Venting Through an Existing System	33	technician. Have this water heater serviced / inspected annually	
3. Power Venting, Indoor Combustion Air in Confined or Unconfined Space	34	by a qualified installer / service technician.	
I. Common Vent Piping - 199 Model Only!	35	FAILURE TO ADHERE TO THE GUIDELINES ON THIS PAGE	
1. Vent Diameter Sizing and Lengths	35	CAN RESULT IN SUBSTANTIAL PROPERTY DAMAGE, SEVERE	
2. Recommended Exhaust Pipe Transitions	36	PERSONAL INJURY, OR DEATH.	
3. Two (2) Pipe Common Direct Vent Systems	36	NOTE: Obey all local codes. Obtain all applicable permits before	
Part 6 - Installing the Condensate Drain	38	installing the water heater.	
Part 7 - Connecting Electrical Service	39	NOTE: Install all system components and piping in such a manner	
A. Wiring	39	that does not reduce the performance of any fire rated assembly.	
B. Dip Switches	39		
C. Wiring a Cascaded System	40	A. Operation and Installation Warnings	
Part 8 - Gas Connections	47	To avoid serious injury or death, read, understand, and follow all of	
A. Gas Pipe Sizing Tables	47	the precautions listed here.	
1. Gas Pipe Sizing	47	 DANGER	
2. Natural Gas Pipe Sizing	47	Vapors from flammable liquids will explode and can cause a fire,	
3. LP (Liquid Propane) Gas Pipe Sizing	47	resulting in personal injury or death. The water heater has a burner	
B. Gas Connection Requirements	47	that can come on at any time and ignite vapors. DO NOT use or	
C. Additional Precaution for Excess Flow Valve (EFV)	48	store flammable liquids around the water heater.	
D. Checking Gas Pressure at the Water Heater for Proper Operation	48		
E. Setting and Verifying the Combustion Setting	48		

DANGER

Improper venting can cause a build-up of carbon monoxide. Breathing carbon monoxide can result in brain damage or death. DO NOT operate the water heater unless it is properly vented to the outside and has an adequate fresh air supply for safe operation. Inspect the exterior exhaust gas outlet port and fresh air inlet port on a regular basis to ensure they are functioning properly.

A concentration of carbon monoxide as small as .04% (400 parts per million) in the air can be fatal. When making high fire or low fire adjustments, CO levels must be monitored using a flue gas analyzer such that a CO level of no more than 150 ppm is exceeded at any time during operation.

Adjusting the "low fire offset" or the "main flow restrictor" in small increments can result in a significant increase in CO concentration. To avoid serious injury or death, DO NOT make any adjustments to the gas valve without monitoring the exhaust gases with a fully functional and calibrated flue gas analyzer.

WARNING

This water heater must be installed by a licensed plumber, licensed gas fitter, and/or qualified installer / service technician. Improper installation and/or operation can cause a potentially hazardous situation, which, if not avoided, could result in serious injury or death, and will void the warranty.

The manufacturer cannot anticipate every circumstance that might involve a potential hazard. Each installation has its own specialized characteristics, requirements, and possible hazards. Therefore, all possible incidents are not included in these warnings. Proper and safe installation, operation, and service are the responsibility of the qualified installer / service technician.

Proper care of the water heater is the user's responsibility. Ensure the user carefully reads and understands the User's Information Manual before operating and maintaining the water heater.

Make sure the user knows the location of the gas shut-off valve and how to operate it. Immediately close the gas shut-off valve if the water heater is subjected to fire, overheating, flood, physical damage, or any other damaging condition that might affect the operation of the unit. Have the water heater checked by a qualified technician before resuming operation.

Do not power up the unit unless the gas and water supply valves are fully opened. Make sure the fresh air intake port and exhaust gas port are open and functional.

No one but a qualified installer / service technician should attempt to install, service, or repair this water heater. There are no serviceable parts which can be changed by the user / owner. User / Owner: Contact the original qualified installer / service technician if the water heater needs repair or maintenance. If the original technician is unavailable, ask your gas supplier for a list of qualified service providers.

Keep the area around the water heater clean and free of all materials that can burn. DO NOT store or place gasoline, oils, spray paint, or other flammable products near the water heater.

DO NOT use spray paint, hair spray, or any other flammable spray near the water heater or near the exterior fresh air intake port. DO NOT place any items in or around the exterior exhaust gas outlet port and/or fresh air inlet port that could restrict or block the flow in or out of the vent system.

DO NOT store or place newspapers, laundry, or other combustible items near the water heater or the exterior exhaust gas outlet and/or fresh air inlet port.

After installation, all water heater safety devices should be tested.

WARNING

The owner should inspect the system monthly for damage, water stains, signs of rust, corrosion, and exhaust vent and air intake blockage. If inspection of the unit shows signs of damage, the water heater should be shut off until the problem is repaired by a qualified technician.

This water heater is certified for indoor installations only. The water heater consists of gas ignition system components which must be protected from water (dripping, spraying, etc.) during operation and service. Carefully consider installation location and the placement of critical components (circulators, condensate neutralizers, etc.) before installing the water heater.

DO NOT allow children to operate this unit. DO NOT use this unit if it does not appear to be operating correctly. A qualified technician should service and inspect the water heater annually.

The water heater temperature is factory set to 125°F (51.7°C). To avoid scalding, always check the temperature of the hot water before bathing, showering, washing, etc. DO NOT adjust the water temperature while the water heater is being used by other persons.

NOTICE

This water heater is equipped with a three prong plug. It should only be plugged directly into a properly grounded three prong receptacle. DO NOT remove the ground plug from the plug.

Any claims for damage or shortage in shipment must be filed immediately against the transportation company by the consignee.

This water heater provides a overheat shutdown limit. In the event the water heater water exceeds the set point of the control limit, the cutoff will trip and the water heater will shut down. Certain local codes require additional temperature limits. In addition, certain types of systems may operate at temperatures below the minimum set point of the limit provided with the water heater. Contact the manufacturer for additional overheat controls.

NOTE: When inquiring about service or troubleshooting, reference the model and serial numbers from the water heater rating label.

WARNING

DO NOT USE THIS WATER HEATER IF ANY PART HAS BEEN SUBMERGED IN WATER. Immediately call a qualified installer / service technician. The water heater MUST BE replaced if it has been submerged. Attempting to operate a water heater that has been submerged could create numerous harmful conditions, such as a potential gas leakage causing a fire and/or explosion, or the release of mold, bacteria, or other harmful particulates into the air. Operating a previously submerged water heater could result in property damage, severe personal injury, or death.

NOTE: Water heater damage due to flood or submersion is considered an Act of God, and IS NOT covered under product warranty.

NOTE: If the water heater is exposed to the following, do not operate. Immediately call a qualified installer / service technician.

1. Fire
2. Damage
3. Water

Failure to follow this information could result in property damage, severe personal injury, or death.

DO NOT alter or modify the water heater or water heater controls. Altering any Westinghouse water heater with parts not manufactured by Westinghouse WILL INSTANTLY VOID the water heater warranty and could result in property damage, personal injury, or death.

WARNING

This water heater has been designed to heat potable water ONLY. Using this water heater to heat non-potable fluid WILL VOID product warranty, and could result in property damage, personal injury, or death.

CAUTION

Do not use this water heater for anything other than its intended purpose (as described in this manual). Doing so could result in property damage and WILL VOID product warranty.

B. Improper Combustion

WARNING

Do not obstruct the flow of combustion and ventilating air. Adequate air is necessary for safe operation. Failure to keep the exhaust vent and combustion air intake clear of ice, snow, or other debris could result in property damage, serious personal injury, or death.

C. Gas

Should overheating or gas supply fail to shut off, turn off the manual gas control valve to the water heater.

D. When Servicing the Water Heating System

WARNING

Be sure to disconnect electrical power before opening water heater cabinet or performing service. Label all wires while performing service to ensure proper re-wiring of the water heater. Wiring errors can cause improper or dangerous operation. Failure to do so could result in an electrical shock, improper water heater operation, property damage, serious personal injury, or death.

- To avoid electric shock, disconnect electrical supply before performing maintenance.
- To avoid severe burns, allow water heater and associated equipment to cool before servicing.
- Do not use petroleum-based cleaning or sealing compounds in a water heating system. Gaskets and seals in the system may be damaged. This can result in substantial property damage.
- Do not use "homemade cures" or "patent medicines". Damage to the water heater, substantial property damage, and/or serious personal injury may result.
- Always verify proper operation after servicing the water heater.

NOTE: When inquiring about service or troubleshooting, reference the model and serial numbers from the water heater rating label.

E. Water Chemistry Requirements

CAUTION

Chemical imbalance of the water supply may affect efficiency and cause severe damage to the appliance and associated equipment. Water quality must be professionally analyzed to determine whether it is necessary to treat the water. Various solutions are available to adjust water quality. Adverse water quality will affect the reliability of the system. In addition, operating temperatures above 135°F will accelerate the build-up of lime scale and possibly shorten appliance service life. Failure of an appliance due to lime scale build-up, low pH, or other chemical imbalance IS NOT covered by the warranty.

The water must be potable, free of corrosive chemicals, sand, dirt, and other contaminants. It is up to the installer to ensure the water does not contain corrosive chemicals or elements that can damage the heat exchanger. Potable water is defined as drinkable water supplied from utility or well water in compliance with EPA secondary maximum contaminant levels (40 CFR Part 143.3). If the water contains

contaminants higher than outlined by the EPA, water treatment is recommended and additional, more frequent maintenance may be required. See Table 1.

If you suspect that your water is contaminated in any way, discontinue use of the appliance and contact an authorized technician or licensed professional.

Contaminant	Maximum Allowable Level
Total Hardness (Commercial Use - Below 140°F water temperature)	200 mg/l (12 grains/gallon)
Total Hardness (Commercial Use - Above 140°F water temperature)	120 mg/l (7 grains/gallon)
Aluminum	0.05 to 0.2 mg/l or PPM
Chloride	100 mg/l or PPM
Copper	1 mg/l or PPM
Iron	0.3 mg/l or PPM
Manganese	0.05 mg/l or PPM
pH	6.5 - 8.5
Sulfate	205 mg/l or PPM
Total Dissolved Solids (TDS)	500 mg/l or PPM
Zinc	5 mg/l or PPM
Dissolved Carbon Dioxide (CO2)	15 mg/l or PPM

Table 1 - Water Quality Specifications

F. Freeze Protection

CAUTION

Consider piping and installation when determining heater location. Damages resulting from incorrect installation or from use of products not approved by Westinghouse ARE NOT covered by warranty.

WARNING

NEVER use any toxic chemical, including automotive, standard glycol antifreeze, or ethylene glycol made for hydronic (non-potable) systems. These chemicals can attack gaskets and seals in water systems, are poisonous if consumed, and can cause personal injury or death.

The water heater control is equipped with freeze protection that activates based on internal water temperature. See the table below for details on freeze protection operation.

NOTE: Freeze protection will not be active if the water heater loses power.

System Freeze Protection (Activates Based on Internal Water Temperature)	Freeze Protection Operation
	If control detects water temperature of 41°F (5°C) and below, it turns the ceramic heater on to meet a target temperature of 59°F (15°C).

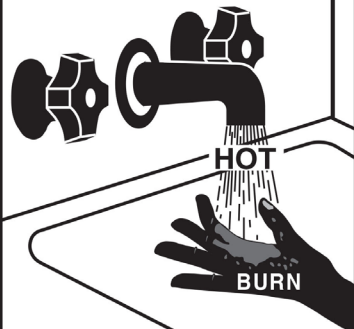
Table 2 - Freeze Protection Detail

G. Water Temperature Adjustment and Scalding

This water heater can deliver scalding water. Be careful whenever using hot water to avoid scalding injury. Certain appliances such as dishwashers and automatic clothes washers may require increased water temperatures. By setting the thermostat on this heater to obtain the increased water temperature required by these appliances you may create the potential for scald injury.

To protect against injury, install a mixing valve in the water system. This valve will reduce point of use discharge temperatures by mixing cold and hot water in branch supply lines. Such valves are available from your local plumbing supplier.

⚠ DANGER



Water temperature over 125°F can cause severe burns instantly or death from scalds.

Children, disabled and elderly are at highest risk of being scalded.

See instruction manual before setting temperature at water heater.

Feel water before bathing or showering.

Temperature limiting valves are available, see manual.

Table 3 details the relationship of water temperature and time with regard to scald injury and may be used as a guide in determining the safest water temperature for your applications.

Approximate Time / Temperature Relationships in Scalds	
120°F	More than 5 minutes
125°F	1 1/2 to 2 minutes
130°F	About 30 seconds
135°F	About 10 seconds
140°F	Less than 5 seconds
145°F	Less than 3 seconds
150°F	About 1 1/2 seconds
155°F	About 1 second

Table 3 - Time and Temperature Relationship in Scalds

⚠ WARNING

An ASSE 1017 or ASSE 1070 temperature limiting or mixing valve is recommended in installations servicing disabled or elderly persons, or children. Mixing valves do not eliminate the risk of scalding.

To avoid scalding:

- Set the water heater set point temperature as low as possible.
- Feel water before bathing or showering.
- If thermostatic valves are required, use devices specifically designed for such purpose. Install these devices in accordance with instructions provided by the manufacturer.

Failure to install a temperature limiting or mixing valve and follow these instructions could result in property damage, severe personal injury, or death due to scalds.

Households with small children, disabled, or elderly persons may require a 120°F or lower temperature setting to prevent severe personal injury or death due to scalding.

H. High Elevation Installations

⚠ WARNING

Natural gas at high elevation might contain less heating value than typical 1,000 BTU/cu ft and therefore can cause improper air / gas mix leading to improper combustion. For natural gas installations above 3,000 ft, call your gas provider to determine the heating value of the supplied natural gas.

Part 2 - Before You Start

Open the shipping crate of the water heater.

NOTICE

UNCRATING THE WATER HEATER - Any claims for damage or shortage in shipment must be filed immediately against the transportation company by the consignee.

A. What's in the Box

Components included with the water heater:







Item	Description	Quantity
Tankless Water Heater		1
Quick Reference Guide, User, and Installation Manuals		1 each
Condensate Hose (Part # - 7855P-089)		1
Anchors and Wall Mounting Bracket (7850P-084)		4
Spare Parts Kit (Gaskets and O-Rings) (7850P-087)		1
Vent Screens (2" Mesh included with 150 models - 7850P-088) (3" Mesh included with 199 Models - 7850P-085)		2 screens

Table 4 - Included with the Water Heater

B. Optional Equipment

Optional equipment available from Westinghouse (and Part #):





Optional Parts		
Cascade Communication Cable (7850P-093)		1
150 PSI Pressure Relief Valve (7850P-103)		1
3/4" Tankless DHW Isolation Valves (7850P-090)		2
Vent Screens (2") (2" Mesh - 7850P-088) (3" Mesh - 7855P-085)		2 screens

Table 5 - Optional Equipment

Other Optional Equipment

Below is a list of other optional equipment available from Westinghouse. These additional options may be purchased through your Westinghouse distributor:

- 2" PVC Concentric Vent Kit (Part # KGAVT0501CVT)
- 3" PVC Concentric Vent Kit (Part # KGAVT0601CVT)
- 2" Stainless Steel Outside Termination Vent Kit (Part # V500)
- 3" Stainless Steel Outside Termination Vent Kit (Part # V1000)
- 4" Stainless Steel Outside Termination Vent Kit (Part # V2000)
- 6" Stainless Steel Outside Termination Vent Kit (Part # V3000)
- 3" Polypro Vent Kit (Part # 8400P-001)


- 3" Polypro Pipe (33' length Part # 8400P-002, 49.5' length Part # 8400P-003)
- Condensate Neutralizer (Part # 7450P-212)
- Condensate Removal Pump (Part # 554200)

Part 3 - Prepare the Water Heater Installation


Remove all sides of the shipping crate to allow the heater to be moved into its installation location.

CAUTION
<p>COLD WEATHER HANDLING - If the water heater has been stored in a very cold location (BELOW 0°F) before installation, handle with care until the components come to room temperature. Failure to do so could result in damage to the water heater.</p> <p>Carefully consider installation when determining heater location. Please read the entire manual before attempting installation. Failure to properly take factors such as heater venting, piping, condensate removal, and wiring into account before installation could result in wasted time, money, and possible property damage and personal injury.</p>

A. Locating the Water Heater

 WARNING
<p>This water heater is certified for indoor use only. DO NOT INSTALL OUTDOORS. Outdoor installations ARE NOT covered by warranty. Failure to install the water heater indoors could result in property damage, severe personal injury, or death.</p> <p>Incorrect ambient conditions can lead to damage to the heating system and put safe operation at risk. Ensure that the installation location adheres to the information included in this manual. Failure to do so could result in property damage, serious personal injury, or death. Failure of heater or components due to incorrect operating conditions IS NOT covered by product warranty.</p> <p>This water heater must be installed upright in the vertical position as described in this manual. DO NOT attempt to install this water heater in any other orientation. Doing so will result in improper water heater operation and property damage, and could result in serious personal injury or death.</p>

1. Installation Area (Mechanical Room) Operating Conditions
 - Ensure ambient temperatures are higher than 32°F / 0°C and lower than 104°F / 40°C
 - Prevent the air from becoming contaminated by the products, places, and conditions listed in this manual
 - Avoid continuously high levels of humidity
 - Never close existing ventilation openings
 - Ensure a minimum 1" clearance around hot water and exhaust vent pipes
 - **NOTE:** To prevent condensing in the fan, it is recommended to avoid prolonged exposure to temperatures below 45°F


 WARNING
<p>This water heater has a condensate disposal system that may freeze if exposed to sustained temperatures below 32°F. Precautions should be taken to protect the condensate trap and drain lines from sustained freezing conditions. Failure to take precautions could result in property damage, severe personal injury, or death.</p>

CAUTION
<p>The service life of the water heater's exposed metallic surfaces, such as the casing, as well as internal surfaces, such as the heat exchanger, are directly influenced by proximity to damp and salty marine environments. In such areas higher concentration levels of chlorides from sea spray coupled with relative humidity can lead to degradation of water heater components. In these environments, heaters must not be installed using direct vent systems which draw outdoor air for combustion. Such heaters must be installed using room air for combustion. Indoor air will have a much lower relative humidity, and hence potential corrosion will be minimized.</p>

2. Check for nearby connections to:
 - System water piping
 - Venting connections
 - Gas supply piping
 - Electrical power
 - Condensate drain

CAUTION
<p>Locate the water heater where any leakage from the relief valve, related piping, tank, or connections will not result in damage to surrounding areas or lower floors of the building. The water heater should be located near a floor drain or installed in a drain pan. Leakage damages ARE NOT covered by warranty.</p>

3. Check area around heater. Remove any combustible materials, gasoline, and other flammable liquids.

 WARNING
<p>Failure to keep the water heater area clear and free of combustible materials, liquids, and vapors can result in substantial property damage, severe personal injury, or death.</p>

4. Gas control system components must be protected from dripping water during operation and service.
5. If the heater is to replace an existing heater, check for and correct any existing system problems, such as:
 - System leaks
 - Location that could cause the system and heater to freeze and leak
 - Incorrectly sized expansion tank
6. Clean and flush system when reinstalling a heater.

CAUTION
<p>Do not connect the water heater to any heating systems or components that have been previously used for non-potable applications.</p> <p>Do not introduce toxic chemicals, such as antifreeze or water heater treatments, into the water heater or any piping meant for potable water purposes.</p> <p>Ensure that all piping and components connected to the water heater are suitable for potable water applications.</p> <p>Do not use this water heater for space heating applications.</p> <p>Circulators suitable for DHW applications must be used.</p>

NOTE: When installing in a zero clearance location, it may not be possible to read or view some product labeling. It is recommended to make note of the heater model and serial number.

B. Leveling

CAUTION

In order for the condensate to properly flow out of the collection system, the area where you locate the heater must be level. Location must also fully support the weight of the filled water heater.

C. Clearances for Service Access

See Table 6 for recommended service clearances. If these minimum clearances are not provided, it may not be possible to service the water heater without removing it from the space.

WARNING

The space must be provided with combustion / ventilation air openings correctly sized for all other appliances located in the same space as the heater. The heater cover must be securely fastened to prevent the heater from drawing air from the heater room. This is particularly important if the heater is in a room with other appliances. Failure to comply with the above warnings could result in substantial property damage, severe personal injury, or death.

Minimum Clearances

Installation Clearances from Non-Combustibles / Combustibles		Recommended Service and Proper Operation Clearances
Top	9" (228.6 mm)	
Back	0" (0 mm)	
Bottom	12" (304.8 mm)	
Front	6" (152.4 mm)	24" (60.9 cm) or more
Right Side	3" (76.2 mm)	
Left Side		

Table 6 - Minimum Installation and Service Clearances

NOTE: For closet installations, a combustible door or removable panel is acceptable front clearance. A 3" minimum clearance must be provided from the appliance front cover to the removable panel or combustible door.

NOTE: If you do not provide the minimum clearances shown in Table 6 it might not be possible to service the heater without removing it from the space.

MINIMUM CLEARANCES FROM COMBUSTIBLE MATERIALS

- Hot water pipes - at least 1" from combustible materials
- Exhaust vent pipe - at least 1" from combustible materials

CAUTION

All water heaters eventually leak. It is recommended to install a catch pan beneath the water heater. This catch pan should be sized with a maximum depth of 2", and a minimum diameter 2" greater than the diameter of the water heater. The catch pan should empty into an open drain line. This drain line should be 3/4" ID minimum, piped to an open drain. Failure to follow these instructions could result in property damage. Such damages ARE NOT covered by product warranty.

Always take future maintenance into consideration when locating the water heater. If the water heater is located in an installation location with limited clearances, it may be necessary to remove the water heater from the space to perform maintenance. Failure to consider maintenance when determining installation location could result in property damage.

D. Residential Garage and Closet Installations

CAUTION

Check with your local Authority Having Jurisdiction for requirements when installing the water heater in a garage or closet. Please read the entire manual before attempting installation. Failure to properly take factors such as venting, piping, condensate removal, and wiring into account before installation could result in wasted time, money, and possible property damage and personal injury.

Precautions

If the heater is located in a residential garage, per ANSI Z223.1:

- Mount the bottom of the water heater a minimum of 18" above the floor of the garage to ensure the burner and ignition devices are well off the floor.
- Locate or protect the water heater so it cannot be damaged by a moving vehicle.

WARNING

The space must be provided with correctly sized combustion/ventilation air openings for all other appliances located in the space with the water heater. For power venting installations using room air for combustion, refer to the venting section, this manual, for descriptions of confined and unconfined spaces. Do not install the water heater in an attic. Failure to comply with these warnings could result in substantial property damage, severe personal injury, or death.

E. Exhaust Vent and Intake Pipe

The heater is rated Category IV (pressurized vent, likely to form condensate in the vent) and requires a special vent system designed for pressurized venting.

NOTE: The venting options described here (and further detailed in the Venting section, this manual) are the lone venting options approved for this water heater. Failure to vent the water heater in accordance with the provided venting instructions will void the warranty.

DANGER

Failure to vent the water heater properly will result in serious personal injury or death.

WARNING

Do not attempt to vent this water heater by any means other than those described in this manual. Doing so will void the warranty and may result in severe personal injury or death.

Vents must be properly supported. Heater exhaust and intake connections are not designed to carry heavy weight. Vent support brackets must be within 1' of the heater and the balance at 4' intervals. Heater must be readily accessible for visual inspection for first 3' from the water heater. Failure to properly support vents could result in property damage, severe personal injury, or death.

The exhaust discharged by this water heater may be very hot. Avoid touching or other direct contact with the exhaust gases of the vent termination assembly. Doing so could result in severe personal injury or death.

1. Direct Vent of Exhaust and Intake

If installing a direct vent option, combustion air must be drawn from the outdoors directly into the water heater intake and exhaust must terminate outdoors. There are three basic direct vent options detailed in this manual: 1. Side Wall Venting, 2. Roof Venting, and 3. Unbalanced Venting.

Be sure to locate the heater such that the exhaust vent and intake piping can be routed through the building and properly terminated.

Different vent terminals can be used to simplify and eliminate multiple penetrations in the building structure (see Optional Equipment in Venting Section). The exhaust vent and intake piping lengths, routing, and termination methods must all comply with the methods and limits given in the Venting Section, this manual. When installing a combustion air intake from outdoors, care must be taken to utilize uncontaminated combustion air. **To prevent combustion air contamination, see Table 7.**

2. Power Venting, Indoor Combustion Air in Confined or Unconfined Space

This heater requires fresh, uncontaminated air for safe operation and must be installed in a mechanical room where there is adequate combustion and ventilating air. **NOTE: To prevent combustion air contamination, see Table 7.**

Combustion air from the indoor space can be used if the space has adequate area or when air is provided through a duct or louver to supply sufficient combustion air based on the water heater input. Never obstruct the supply of combustion air to the water heater. If the water heater is installed in areas where indoor air is contaminated (see Table 7) it is imperative that the water heater be installed as direct vent so that all combustion air is taken directly from the outdoors into the water heater intake connection.

Unconfined space is space with volume greater than 50 cubic feet per 1,000 BTU/hr (4.8 cubic meters per kW) of the total input rating of all fuel-burning appliances installed in that space. Rooms connected directly to this space through openings not furnished with doors are considered part of the space. See Venting Section for details.


Confined space is space with volume less than 50 cubic feet per 1,000 BTU/hr (4.8 cubic meters per kW) of the total input rating of all fuel-burning appliances installed in that space. Rooms connected directly to this space through openings not furnished with doors are considered part of the space.

When drawing combustion air from inside a conventionally constructed building to a confined space, such space should be provided with two permanent openings: one located 6" (15cm) below the space ceiling, the other 6" (15cm) above the space floor. Each opening should have a free area of one square inch per 1,000 BTU/hr (22cm²/kW) of the total input of all appliances in the space, but not less than 100 square inches (645cm²).

If the confined space is within a building of tight construction, air for combustion must be obtained from the outdoors as outlined in the Venting section of this manual.

a hard wired carbon monoxide detector with an alarm and battery back-up is installed on each additional level of the dwelling, building, or structure served by the vented gas appliance. It shall be the responsibility of the property owner to secure the service of qualified licensed professionals for the installation of hard wired carbon monoxide detectors.


- a. In the event that the vented gas fueled appliance is installed in a crawl space or attic, the hard wired carbon monoxide detector with alarm and battery back-up shall be installed on the next adjacent floor level.
- b. In the event that these requirements cannot be met at the time of completion of installation, the owner shall have a period of thirty (30) days to comply with the above requirements; provided, however, that during said thirty (30) day period, a battery operated carbon monoxide detector with an alarm shall be installed.


 WARNING
Do not attempt to vent this water heater by any means other than those described in this manual. Doing so will void the warranty and may result in severe personal injury or death.

Approved Carbon Monoxide Detectors: Each carbon monoxide detector as required in accordance with the above provisions shall comply with NFPA 70 and be ANSI/UL 2034 listed and IAS certified.

G. Prevent Combustion Air Contamination

Install intake air piping for the heater as described in the Venting Section, this manual. Do not terminate exhaust in locations that can allow contamination of intake air.

 WARNING
Ensure that the intake air will not contain any of the contaminants in Table 7. Contaminated air will damage the heater, resulting in possible substantial property damage, severe personal injury, or death. For example, do not pipe intake air near a swimming pool or laundry facilities. These areas always contain contaminants.

CAUTION
When drawing combustion air from the outside into the mechanical room, care must be taken to provide adequate freeze protection.
 WARNING
Failure to provide an adequate supply of fresh combustion air can cause poisonous flue gases to enter the living space, resulting in severe personal injury or death. To prevent combustion air contamination, see Table 7.

F. Carbon Monoxide Detectors In the Commonwealth of Massachusetts and As Required by State and Local Codes:

Installation of Carbon Monoxide Detectors: At the time of installation or replacement of the vented gas fueled appliance, the installing plumber or gas fitter shall observe that a hard wired carbon monoxide detector with an alarm and battery back-up is installed on the floor level where the gas appliance is installed, unless the appliance is located in a detached, uninhabitable structure separate from the dwelling, building, or structure used in whole or in part for residential purposes.

In addition, the installing plumber or gas fitter shall observe that

Products to Avoid	Areas Likely to Have Contaminants
Spray cans containing fluorocarbons	Dry cleaning / laundry areas and establishments
Permanent wave solutions	Swimming pools
Chlorinated waxes / cleaners	Metal fabrication plants
Chlorine-based swimming pool chemicals	Beauty shops
Calcium chloride used for thawing	Refrigeration repair shops
Sodium chloride used for water softening	Photo processing plants
Refrigerant leaks	Auto body shops
Paint or varnish removers	Plastic manufacturing plants
Hydrochloric or Muriatic acid	Furniture refinishing areas and establishments
Cements and glues	New building construction
Antistatic fabric softeners used in clothes dryers	Remodeling areas
Chlorine-type bleaches, laundry detergents, and cleaning solvents	Garages and workshops
Adhesives used to fasten building products	

Table 7 - Products and Areas Likely to Have Contaminants

NOTE: DAMAGE TO THE HEATER CAUSED BY EXPOSURE TO CORROSIVE VAPORS IS NOT COVERED BY WARRANTY. (Refer to the limited warranty for complete terms and conditions.)

H. Removing a Heater from a Common Vent System

DANGER

Do not install the heater into a common vent with any other appliance. This will cause flue gas spillage or appliance malfunction, resulting in possible substantial property damage, severe personal injury, or death.

WARNING

Failure to follow all instructions can result in flue gas spillage and carbon monoxide emissions, causing severe personal injury or death.

When removing an existing heater, follow the steps below.

1. Seal any unused openings in the common venting system.
2. Visually inspect the venting system for proper size and horizontal pitch to determine if there is blockage, leakage, corrosion, or other deficiencies that could cause an unsafe condition.
3. If practical, close all building doors, windows, and doors between the space in which the water heater remains connected to the common venting system and other spaces in the building. Turn on clothes dryers and any appliances not connected to the common venting system. Turn on any exhaust fans, such as range hoods and bathroom exhausts, at maximum speed. Do not operate a summer exhaust fan. Close all fireplace dampers.
4. Place in operation the appliance being inspected. Follow the lighting instructions. Adjust the thermostat so the appliance will operate continuously.
5. Test for spillage at the draft hood relief opening after 5 minutes of main burner operation. Use the flame of a match or candle or smoke from a cigarette.
6. After it has been determined that each appliance remaining connected to the common venting system properly vents when tested as outlined, return doors, windows, exhaust fans, fireplace dampers, and any other gas burning appliances to their previous condition of use.
7. Any improper operation of the common venting system should be corrected to conform to the National Fuel Gas Code, ANSI Z223.1. When resizing any portion of the common venting system, the system should approach the minimum size as determined using the appropriate tables in Appendix G of ANSI Z223.1.

WARNING

Breathing Hazard - Carbon Monoxide Gas

- Do not operate heater if flood damaged.
- Install vent system in accordance with local codes and manufacturers installation instructions.
- Do not obstruct heater air intake or exhaust. Support all vent piping per manufacturers installation instructions.
- Do not place chemical vapor emitting products near unit.
- According to NFPA 720, carbon monoxide detectors should be installed outside each sleeping area.
- Never operate the heater unless it is vented to the outdoors.
- Analyze the entire vent system to make sure that condensate will not become trapped in a section of vent pipe and therefore reduce the open cross sectional area of the vent.

Breathing carbon monoxide can cause brain damage or death. Always read and understand instruction manual.

LP-304

Figure 1 - CO Warning Label

I. Technical Specifications

Model		150	199
Installation		Indoor, Wall Hung, Fully Condensing	
Minimum / Maximum Input (Btu/Hr)		15,000 / 150,000	19,900 / 199,000
Hot Water Capacity	35°F Rise	8.1 GPM	11 GPM
	45°F Rise	6.3 GPM	8.5 GPM
	77°F Rise	3.7 GPM	5 GPM
Flue System		Category IV, Sealed Combustion Direct Vent, Power Vent	
Vent Run		2" (50 feet), 3" (100 feet), Schedule 40 PVC, CPVC, PP	
Weight (lbs)		64	88
Energy Factor (EF)		0.95	0.98
Uniform Energy Factor (UEF)		0.93	0.96
Orifice Size	NG	7.7 mm (0.303")	9.5 mm (0.374")
	LP	Consult Factory	
Gas Supply Pressure	NG	3.5" to 14" WC	
	LP		
Manifold Pressure	Min (3")	NG/LP: -0.07"	NG: -0.010" / LP: -0.05" WC
	Max (3")	NG/LP: -0.366"	NG: -0.11" / LP: -0.06" WC
Power Supply	Main Supply	120V 60 Hz, 6A	
	Maximum Power Consumption	135W	
General Operating Conditions		Ambient Temperature Range: 33 – 120°F (0.6 – 49°C) Operating Relative Humidity: Up to 90% at 140°F (60°C) Shipping and Storage Temperature Range: -4 – 176°F (-20 – 80°C) Power Supply and Communication (CN4): 14V DC Product Approvals and Requirements EMC: 89/336/EEC LVD: 73/23/EEC	
Ignition System		Direct Electronic Ignition / Automatic Flame Sensing	
Burner System		Single Orifice Premixed Fuel Modulation / Metal Fiber Burner	
Gas Valve System		Air Ratio Valve	
Minimum Flow Rate		0.5 GPM	
Internal Pipe Material		Stainless Steel	
Dimensions		W 17.3" - H 27.6" - D 12.6"	W 17.3" - H 27.6" - D 14.8"
Sub Heat Exchanger Water Capacity (DHW)		Under 2 Gallons	
Control Panel / Main Controller		P-920C / NGTH-8000C	P-920C / GTH-9500C
Water Pressure		Min 15 - Max 150 PSI	
DHW Setpoint Temperature Range		95 – 140°F (35 – 60°C)	
Connection Sizes	Cold Water Inlet / Hot Water Outlet	3/4" NPT	
	Gas Inlet	3/4" NPT	
Materials	Cabinet	Cold Rolled Carbon Steel	
	Heat Exchanger	Primary and Secondary Heat Exchangers: Stainless Steel	
Safety Devices		Flame Rod, Burner Overheat Cut Off Device (302°F / 150°C), Flue High Limit Switch (190°F / 87°C), Water Temperature High Limit Switch (199°F / 93°C), Freeze Protection Ceramic Heater (Turns on at 41°F / 5°C, Turns off at 59°F / 15°C), Water Leak Detection Sensor (150 Models)	

Table 8 - Technical Specifications

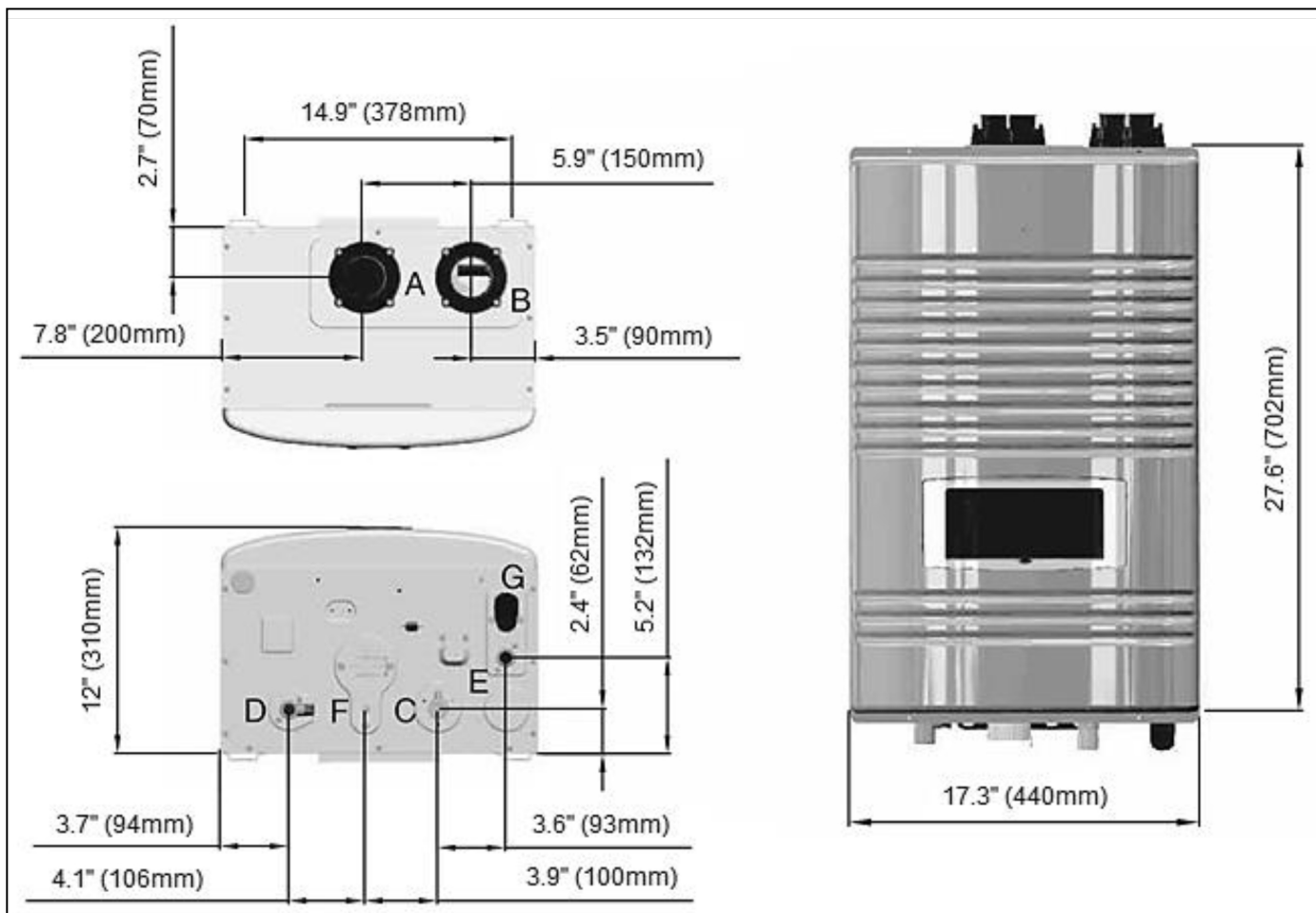


Figure 2 - 150 Model Dimensions

	Description	Diameter
A	Exhaust Outlet Adapter	2"
B	Air Intake Adapter	2"
C	Gas Inlet Adapter	3/4" NPT
D	DHW Outlet Adapter	3/4" NPT
E	DHW Inlet Adapter	3/4" NPT
F	Condensate Adapter	1/2" NPT
G	DHW Inlet Filter	N/A

Table 9 - 150 Model Adapter Specifications

How the Water Heater Operates

Condensing technology intelligently delivers water heating while maximizing efficiency. Outlined below are the features of the system and how they operate:

Stainless Steel Heat Exchanger - The highly efficient 316L stainless steel fire tube heat exchanger with internal aluminum is designed to extract all available heat from the combustion process and pass it into heat transfer fluid. The stainless steel construction provides protection for longer service life. The heat exchanger offers greater water content, providing lower system pressure and greater overall system efficiency.

10 to 1 Modulating Combustion System - The combustion system is specially designed to provide very high turn down. This combustion system will modulate the burner output to very low levels to match the system demand and achieve better overall control of the heating system for maximum efficiency and reliability.

Control - The integrated control system monitors the system and responds to internal and external signals to regulate fan speed and control output. This allows the water heater to deliver only the amount of hot water required and nothing more.

The control can regulate the output of multiple water heaters through its cascade system function by establishing one water heater as the master and the other connected water heaters as followers. The master water heater requires a sensor to provide feedback on set point temperature in order to adjust heating output from the connected water heaters. Multiple water heater cascaded systems offer greater system turndown and redundancy.

Electronic LCD Display - The high resolution display allows the user to monitor water heater functions. The display also provides the means to program the system parameters to maximize the efficiency of the system design.

Combustion System (Blower - Gas Valve - Mixer - Burner - Spark Ignition) - The highly efficient spark ignition combustion system uses a variable speed blower to adjust combustion as the system requires more or less energy. The negative regulated gas valve provides only the amount of fuel required to ensure clean combustion. The mixer accurately regulates the combination of gas and air throughout the modulating range to ensure high reliability. The burner is constructed of durable ceramic metal fiber for long service life.

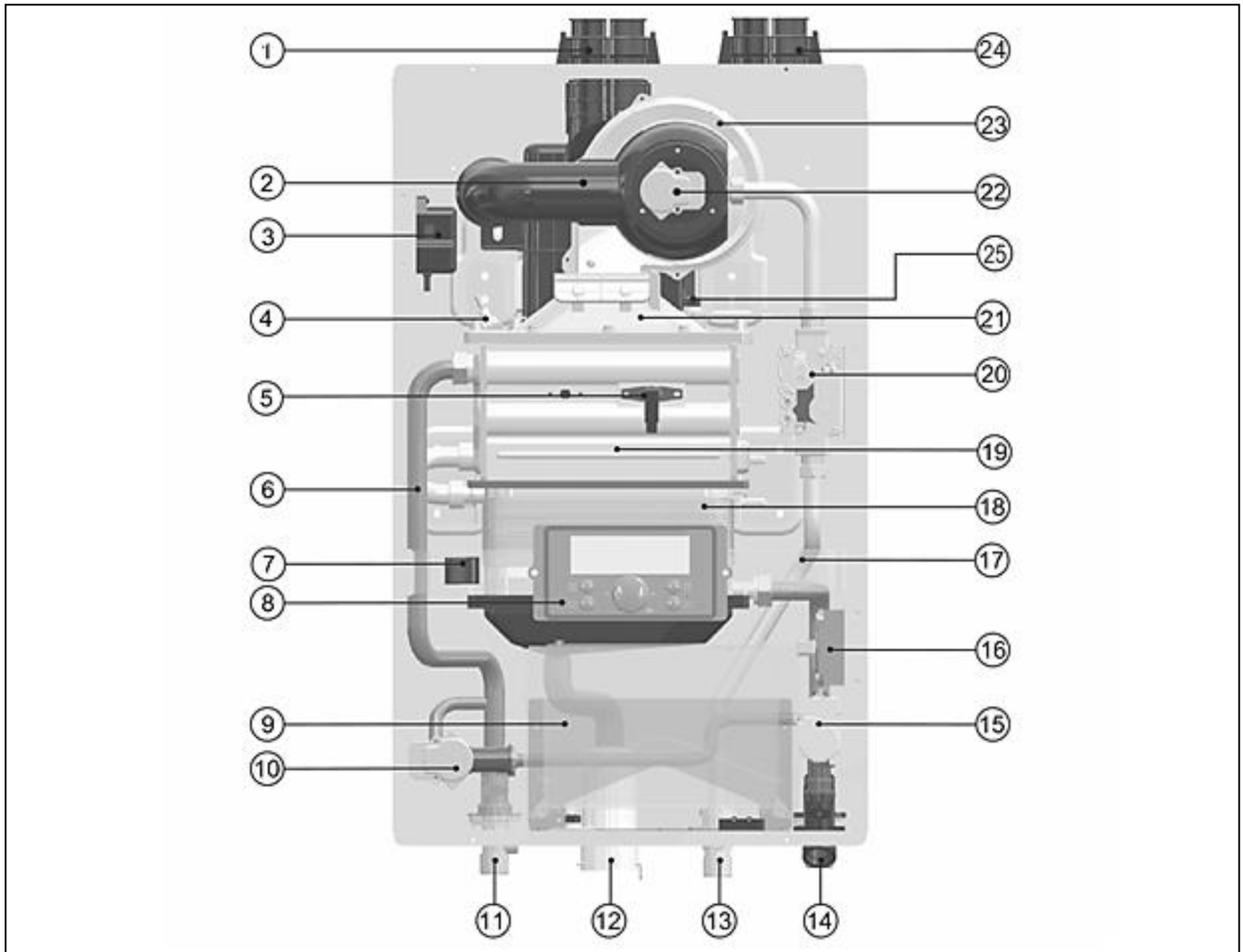


Figure 3 - 150 Model Components

Number	Component Description	Number	Component Description	Number	Component Description
1	Exhaust Vent Adapter	10	Mixing Valve	19	Secondary Heat Exchanger Assembly
2	Air Inlet Pipe	11	DHW Outlet Adapter	20	Gas Valve
3	Ignition Transformer	12	Condensate Trap	21	Burner Case
4	Igniter	13	Gas Inlet Adapter	22	AGM (Air Gas Mixer)
5	Flame Detection Sensor	14	Cold Water Inlet	23	BLDC Fan
6	Hot Water Outlet	15	Water Adjustment Valve	24	Air Intake Pipe Adapter
7	Manual Power Switch	16	Air Pressure Switch	25	Burner Overheat Switch
8	Control Panel	17	Gas Inlet Pipe		
9	Main Controller	18	Primary Heat Exchanger Assembly		

Table 10 - 150 Model Component List

Water Heater Sensors (Inlet – Outlet – Flue - Outdoor) - Sensors provide highly accurate temperature monitoring to assure accurate system control. These sensor inputs can be monitored through the water heater control system and display.

Pressure Gauge – Allows the user to monitor system pressure.

System Safeties – The water heater is provided with many safety features to ensure reliable and safe operation. Each safety is connected to the water heater control. The water heater will alert the user if an unsafe condition occurs and needs to be addressed. The following are provided safeties: Flue Pressure Switch (monitors flue pressure), Burner High Limit (monitors burner plate temperature), High Limit Water Switch (monitors water heater water temperature), Low Water Sensor (monitors water level in the heat exchanger),

optic flame sensor (monitors flame quality), Flue Sensor (monitors flue temperature), Condensate Pressure Switch (monitors pressure to ensure condensation does not back up into water heater).

Manual Air Vent – Each water heater is equipped with an air vent to discharge air from the system during start-up.

Intake and Exhaust Adapters – The water heater is equipped with adapters to ease connection to the vent system. The adapters are provided with clamps and seals to secure field supplied piping, and test ports to ease monitoring of the combustion system. Each water heater is supplied with a 6 inch piece of CPVC that must be connected into the exhaust vent adapter.

Gas Connection – The water heater is equipped with a ¾" gas connection to connect the incoming gas supply.

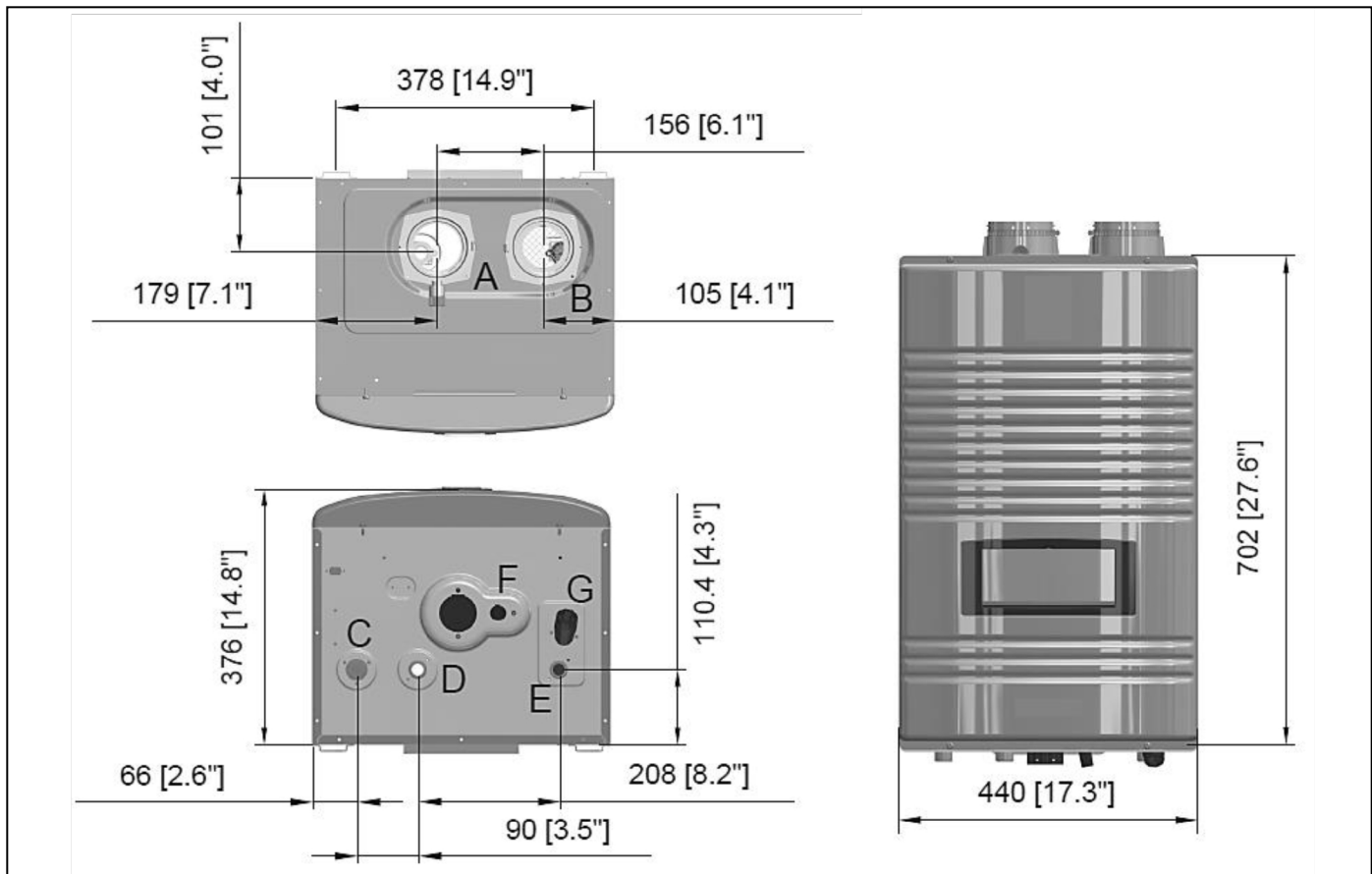


Figure 4 - 199 Model Dimensions

	Description	Diameter
A	Exhaust Outlet Adapter	3"
B	Air Intake Adapter	3"
C	Gas Inlet Adapter	3/4" NPT
D	DHW Outlet Adapter	3/4" NPT
E	DHW Inlet Adapter	3/4" NPT
F	Condensate Adapter	1/2" NPT
G	DHW Inlet Filter	N/A

Table 11 - 199 Model Adapter Specifications

Field Wiring and Power Switch – Each water heater is supplied with a power switch to cut off power. The water heater is also equipped with two front mounted terminal strips. These terminal strips are separated into low and line voltage to ease system wiring.

Condensate Trap and Hose Assembly – Each water heater has a built-in condensate trap to control the discharge of condensate produced by the water heater during normal operation. A corrugated condensate hose is also provided to ensure proper drainage of condensate into the pump or drain.

J. Wall-Mounting

WARNING

The water heater must be installed on a wall that can bear its weight (more than 88 lbs. when fully plumbed and full of water). Installing the water heater on a wall which cannot support its weight could result in property damage, personal injury, or death.

The water heater may be installed on any suitable internal wall (suitable sound-proofing may be required when installing onto a stud partition wall).

WARNING

This water heater is too heavy for one person to lift. It is highly recommended to install the water heater with two people. Use caution as to not drop the water heater, which could damage the water heater and cause property damage and/or severe personal injury. Verify that the water heater is properly and securely mounted before leaving unsupervised. Failure to comply with the above and properly mount the water heater could result in substantial property damage, severe personal injury, or death.

This wall mounting system is not seismic rated and should not be applied as such. Failure to comply with the above and properly mount the water heater could result in substantial property damage, severe personal injury, or death.

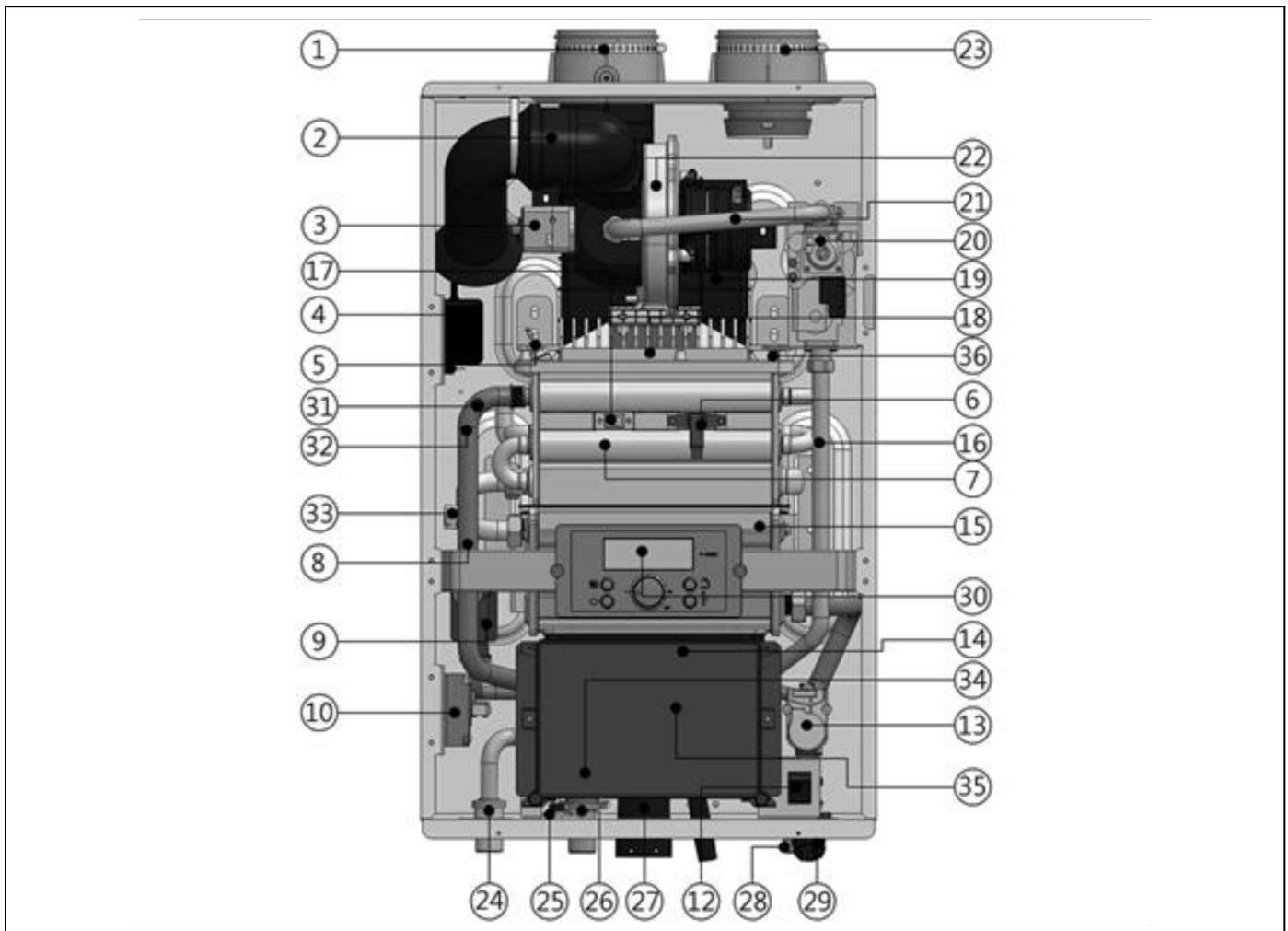


Figure 5 - 199 Model Components

Number	Component Description	Number	Component Description	Number	Component Description
1	Exhaust Vent Adapter	13	Water Adjustment Valve	25	Freeze Protector
2	Air Inlet Pipe	14	Main Controller	26	DHW Outlet Adapter
3	AGM (Air Gas Mixer)	15	Secondary Heat Exchanger Assembly	27	Condensate Trap
4	Ignition Transformer	16	Gas Inlet Pipe 1	28	Cold Water Inlet Adapter
5	Igniter	17	Flame Sight Glass	29	Cold Water Inlet Filter
6	Flame Detection Sensor	18	Burner Case	30	Control Panel
7	Primary Heat Exchanger Assembly	19	Exhaust Duct	31	Operating Temperature Sensor
8	Hot Water Outlet	20	Gas Valve	32	High Limit Overheat Switch
9	Mixing Valve	21	Gas Inlet Pipe 2	33	Ceramic Heater
10	Air Pressure Switch	22	BLDC Fan	34	DHW Sensor
11	N/A	23	Air Intake Pipe Adapter	35	Condensate Trap Hose
12	Manual Power Switch	24	Gas Inlet Adapter	36	Burner Overheat Switch

Table 12 - 199 Model Component List

Positioning the Water Heater on the Wall

1. Attach the wall bracket on the location where you want to install the water heater. Ensure it is level and on stud (16" centers) before proceeding.
2. Mark the four drill holes with a pencil or marker. Remove the wall bracket.
3. Drill four (4) holes using a 5/32 drill bit at the marked hole locations.
4. Mount the wall bracket to the wall with the four (4) included anchor bolts. Ensure the mounted bracket is level. See Figure 6A.
5. Align the heater bracket grooves on the back of the water heater with the tongues on the wall bracket and hang the water heater on the bracket. See Figure 6B.

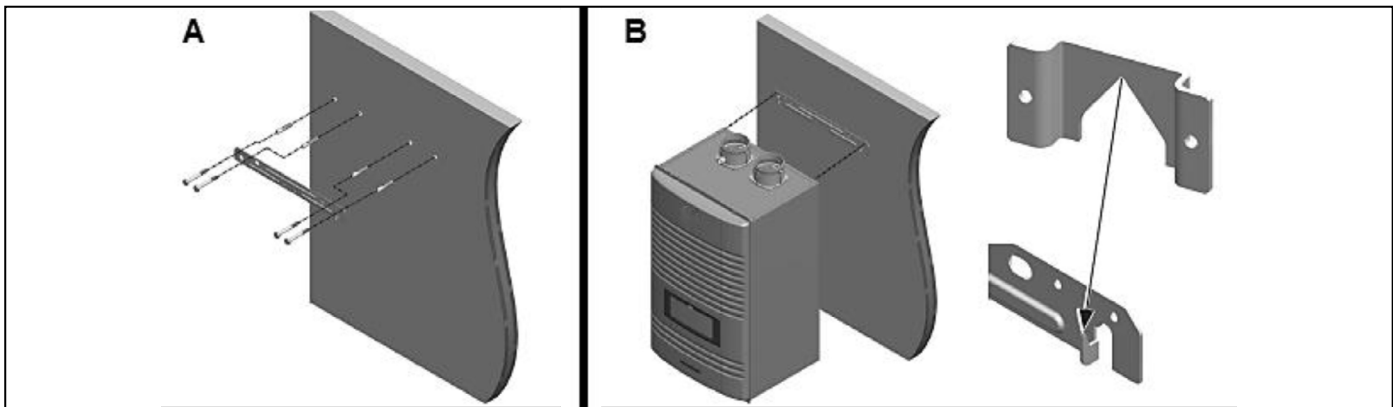


Figure 6 - Wall-Mounting the Water Heater

Part 4 - Water Piping

WARNING

Failure to follow the instructions in this section WILL VOID the warranty and may result in property damage, severe personal injury, or death.

CAUTION

DO NOT pipe this water heater with black iron, galvanized steel, steel, or lead pipe. Doing so will result in premature product failure and property damage, and WILL VOID the warranty.

Do not apply a torch within 12" of the water heater. If sweat connections are used, sweat tubing to the adapter before fitting adapter to the water connections on the heater. Damages due to improper installation practices ARE NOT covered by warranty.

Dielectric unions or galvanized steel fittings must not be used in a system with this water heater. Doing so WILL VOID the warranty. Use only copper, brass, or stainless steel fittings. Teflon thread sealant must be used on all connections.

A. General Plumbing Guidelines

CAUTION

Use two wrenches when tightening water piping at heater. Use one wrench to prevent the heater inlet or outlet line from turning. Failure to prevent piping connections from turning could cause damage to heater components.

The heater control module uses temperature sensors to provide both high limit protection and modulating temperature control. The control module also provides low water protection by sensing the water level in the tank. Some codes / jurisdictions may require additional external controls.

The domestic water connections must be installed in accordance with all local and national plumbing codes, or any applicable standard which prevails. The inlet (cold) and outlet (hot) ports are 3/4" on all models.

- Pipe material must be suitable to meet local codes and industry standards.
- The pipe must be cleaned and without blemish before any connections are made.

- Isolation (shutoff valves) should be used to ease future servicing. Westinghouse offers isolation valves (Part #7850P-090). These optional parts may be purchased separately.
- All water piping should be insulated.

It is recommended to install a sweat shut-off valve and a union in the cold inlet piping and hot outlet to ease future servicing. If there is a backflow preventer or any type of a no return valve in the system, install an additional tee here, suitable for a potable hot water expansion tank.

In the hot outlet, install a suitable adapter to match the tubing of the plumbing system. A thermal trap or heat trap loop may be installed here to provide additional energy savings and prevent the thermal siphoning of domestic hot water.

B. Backflow Preventer

Use a backflow preventer specifically designed for water heater installations. This valve should be installed on the cold water fill supply line per local codes.

C. Potable Expansion Tank

A potable hot water expansion tank is required to offset heated water expansion. In most city plumbing systems, the water meter has a no return or back flow device built into the system to prevent back flowing of water into city mains. Some local codes require back flow preventers on all incoming water supplies. The hot water expansion tank must be listed for potable water use. The expansion tank should be located on the cold inlet piping close to the water heater.

Expansion Tank

1. Ensure that the potable expansion tank is sized to correctly handle water heater, related piping, and connected storage volume and system temperature.

CAUTION

Undersized expansion tanks cause system water to be lost from the relief valve, causing make-up water to be added. Eventual heater failure can result due to excessive make-up water addition. **SUCH FAILURE IS NOT COVERED BY WARRANTY.**

The expansion tank must be suitable for hot potable water systems.

2. The expansion tank must be located as shown in Applications, this manual, or following recognized design methods. See expansion tank manufacturer's instructions for details.

D. Piping the Water Heater

CAUTION

Use at least the MINIMUM pipe size for all water heater loop piping This is to avoid the possibility of inadequate flow through the water heater. Using less than the required minimum pipe size and piping could result in system problems, property damage, and premature water heater failure. Such problems ARE NOT covered by product warranty.

Use both thread tape and pipe dope to connect to the 3/4" domestic water inlet and outlet, and recirculation inlet (if applicable). Tankless isolation valves between the city water supply and tank inlet are recommended for ease of service.

E. Applications

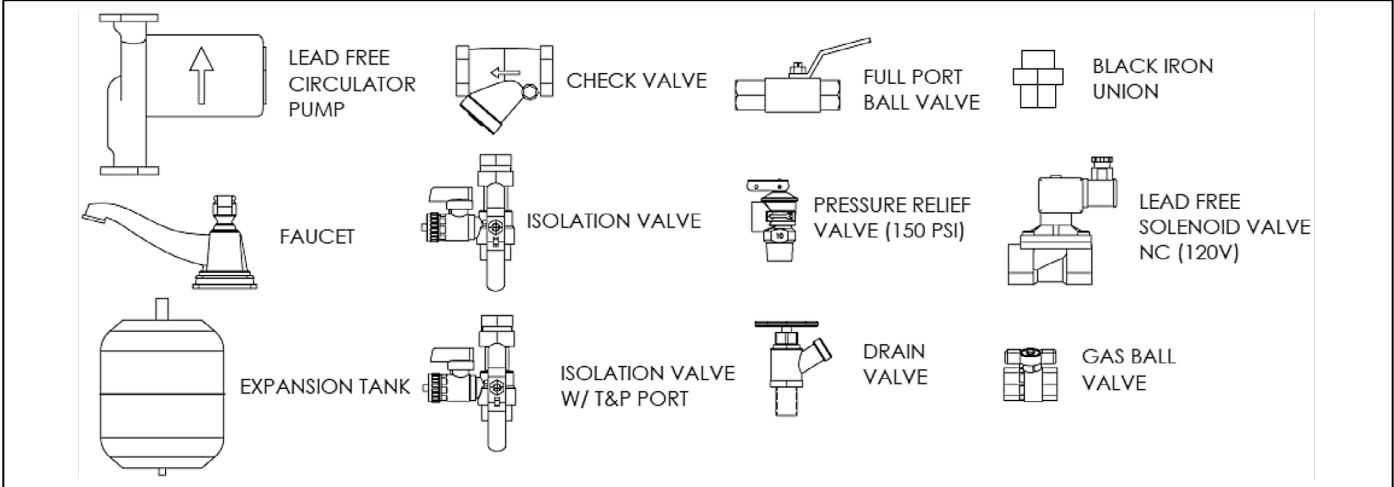


Figure 7 - Piping Symbol Legend

CAUTION

DO NOT use this water heater for high temperature (over 140°F) central heating applications. Failure to comply will result in substantial overworking of the appliance and possibly lead to early appliance failure and property damage. Use of the water heater for high temperature central heating applications WILL VOID the warranty.

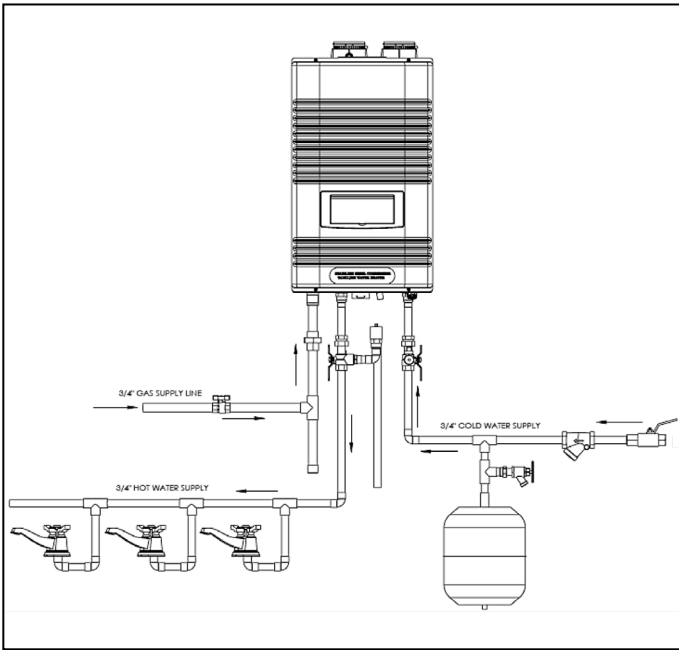


Figure 8 - DHW Piping, Single Water Heater

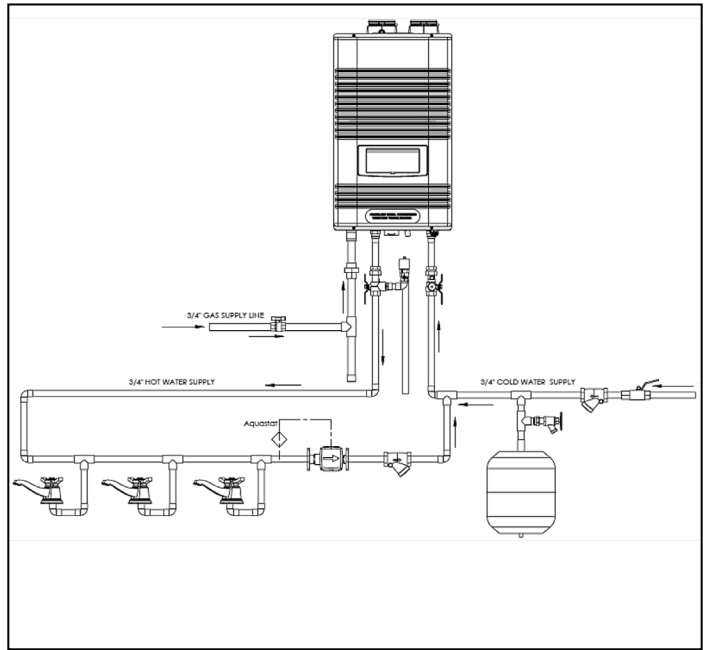


Figure 9 - DHW Piping, Single Water Heater with Recirculation

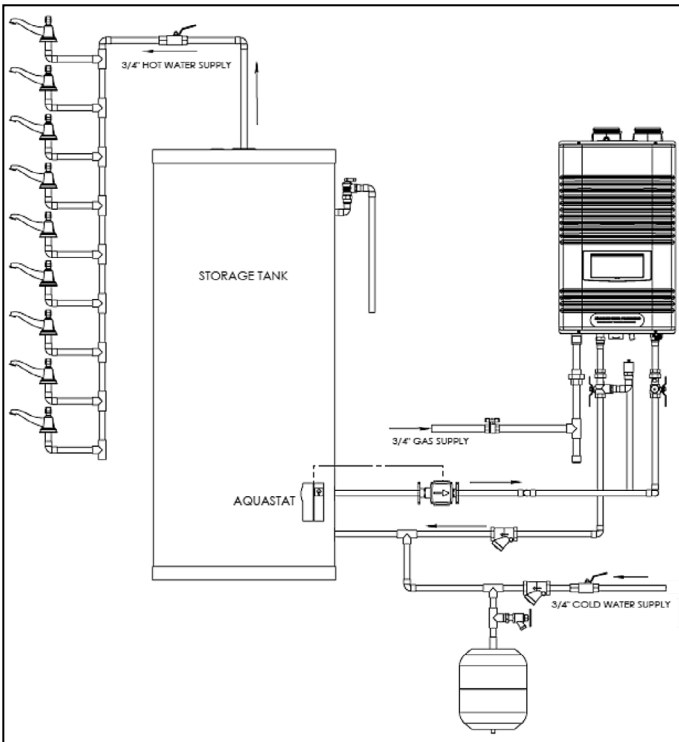


Figure 10 - DHW Piping with Storage Tank

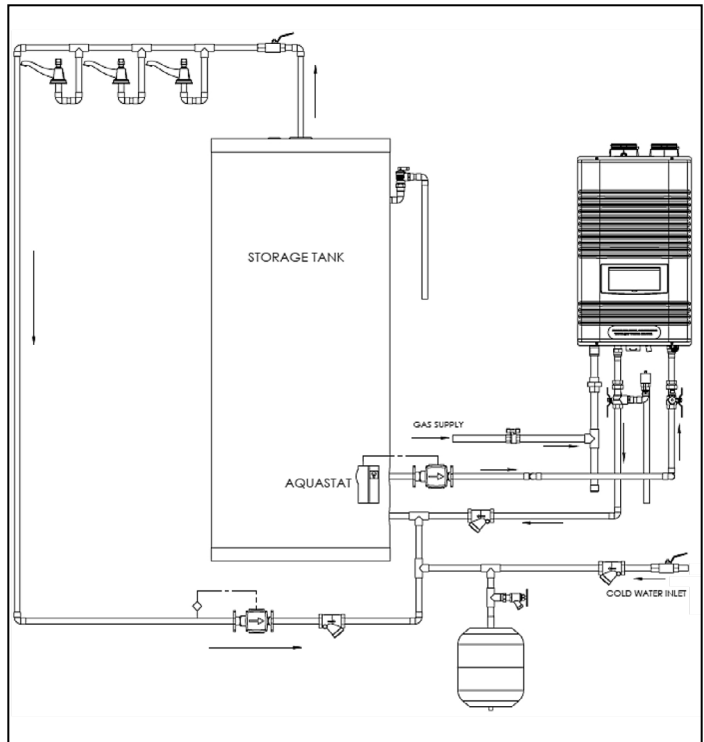


Figure 11 - DHW Piping with Storage Tank and Recirculation

NOTES:

1. Minimum pipe size should match connection size. Upsize pipe accordingly if greater flow is required.
2. A thermal expansion tank suitable for potable water must be sized and installed within this piping system between the backflow preventer and the cold water inlet.
3. All circulators should have an integral flow check.
4. Drains and check valve between water heater and piping will assist in purging air from system.
5. These drawings are meant to demonstrate system piping only. The installer is responsible for all equipment and detailing required by local codes. In Massachusetts, you must install a vacuum relief valve per 248 CMR.
6. Mixing valve application is optional, but recommended to help prevent scalding.
7. Always shut off power to the water heater or isolate the heater from the system if ANY plumbing work is to be done. Running the water heater without water will result in dry-firing.
8. When using unit with storage tank, the setpoint of the water heater needs to be at least 20°F higher than the setpoint of the Aquastat on the tank. Pump selection must meet a minimum flow rate requirement of 2 GPM.

NOTE: These drawings are meant to show system piping concept only. Installer is responsible for all equipment and detailing required by local codes.

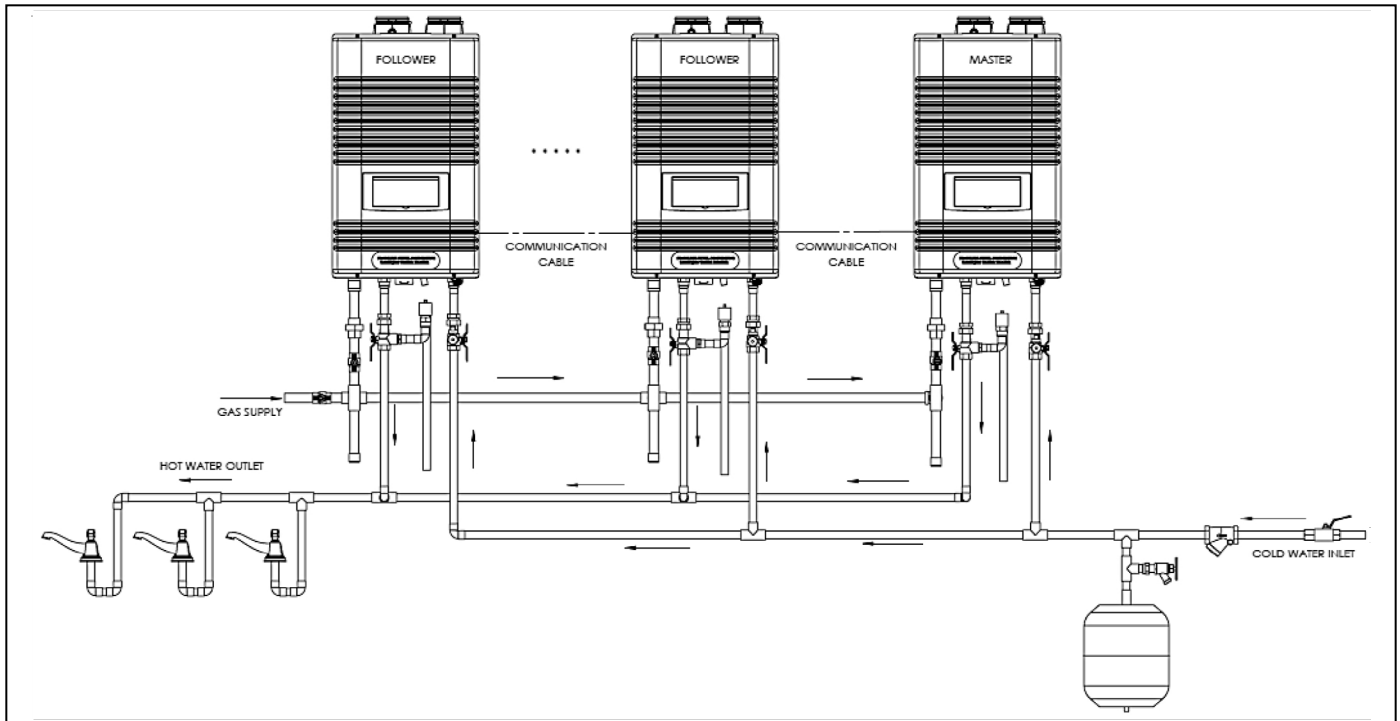


Figure 12 - Cascaded Water Heaters

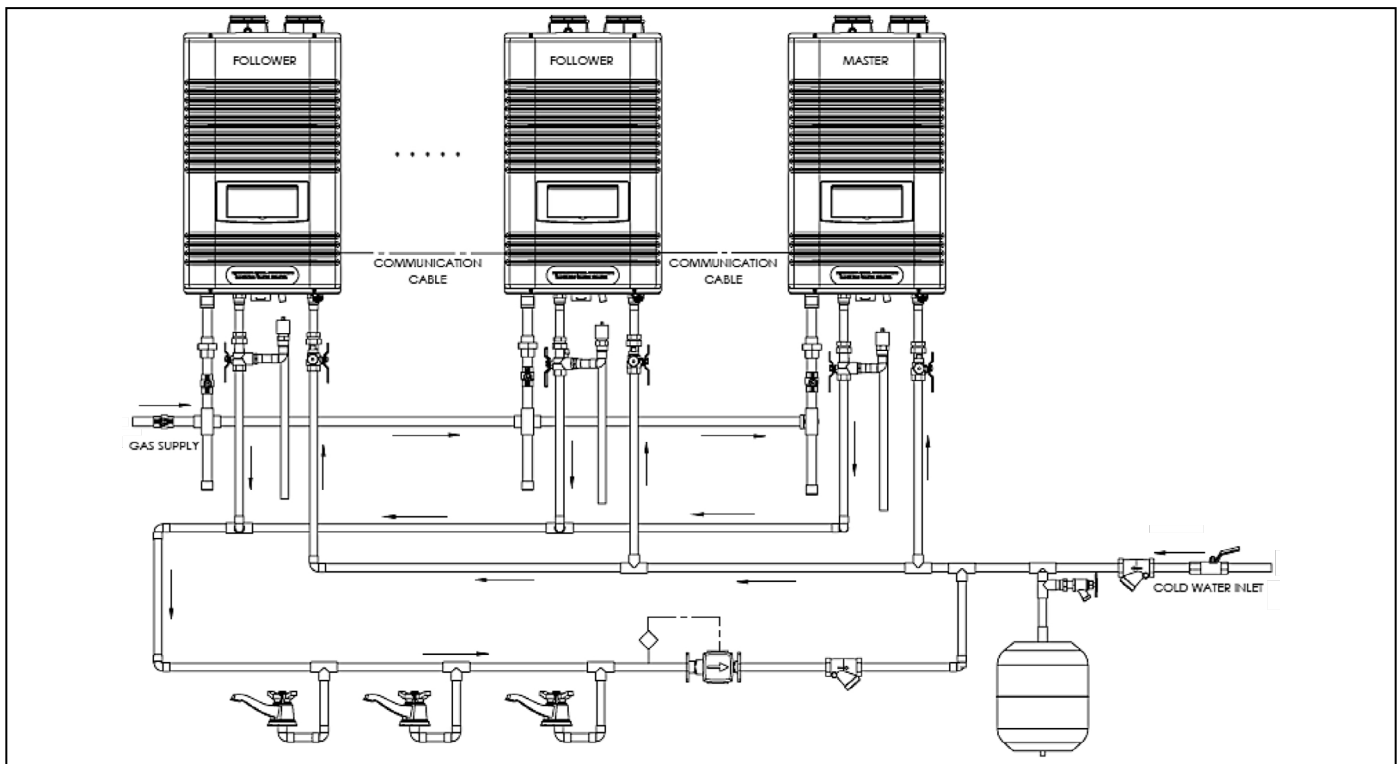


Figure 13 - Cascade Water Heaters with Recirculation

NOTES:

1. Minimum pipe size should match connection size. Upsize pipe accordingly if greater flow is required.
2. A thermal expansion tank suitable for potable water must be sized and installed within this piping system between the backflow preventer and the cold water inlet.
3. All circulators should have an integral flow check.
4. Drains and check valve between water heater and piping will assist in purging air from system.
5. These drawings are meant to demonstrate system piping only. The installer is responsible for all equipment and detailing required by local codes. In Massachusetts, you must install a vacuum relief valve per 248 CMR.
6. Mixing valve application is optional, but recommended to help prevent scalding.
7. Always shut off power to the water heater or isolate the heater from the system if ANY plumbing work is to be done. Running the water heater without water will result in dry-firing.

NOTE: These drawings are meant to show system piping concept only. Installer is responsible for all equipment and detailing required by local codes.

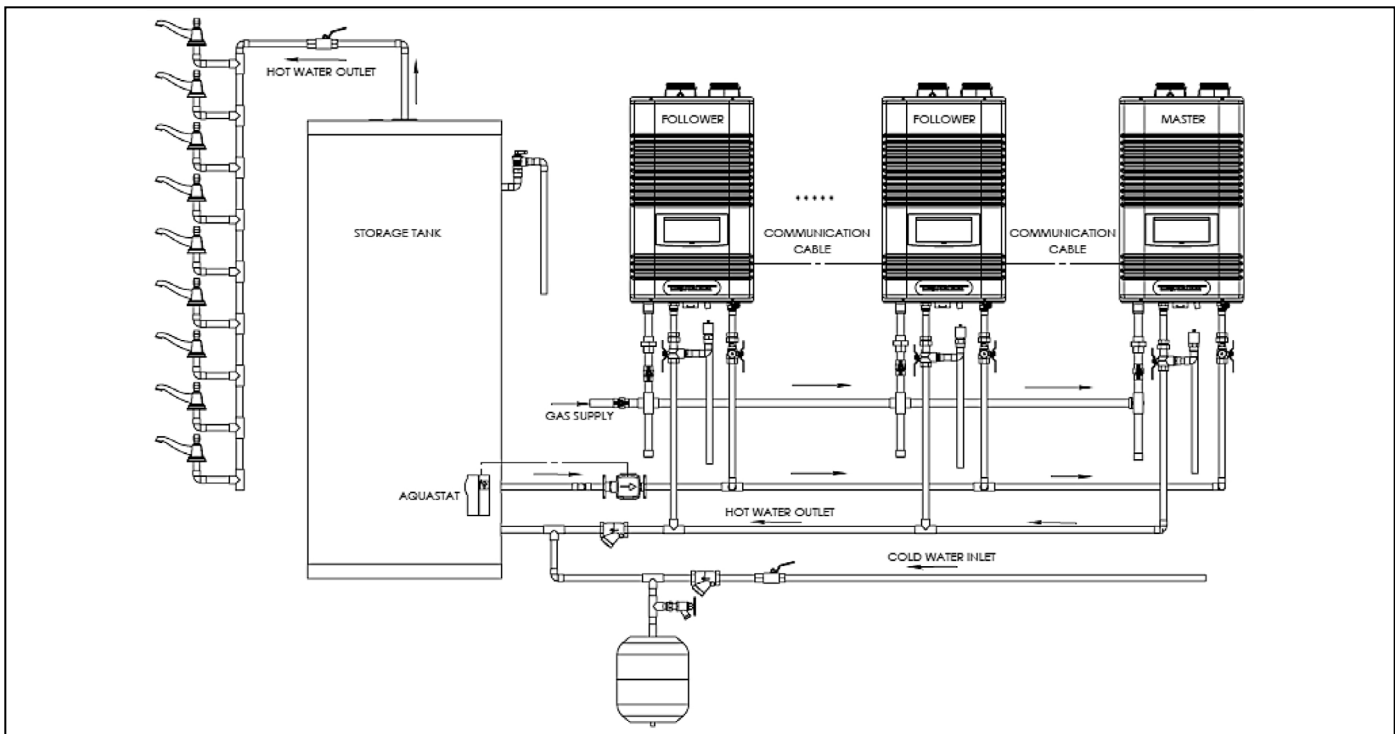


Figure 14 - Cascaded Water Heaters with Storage Tank

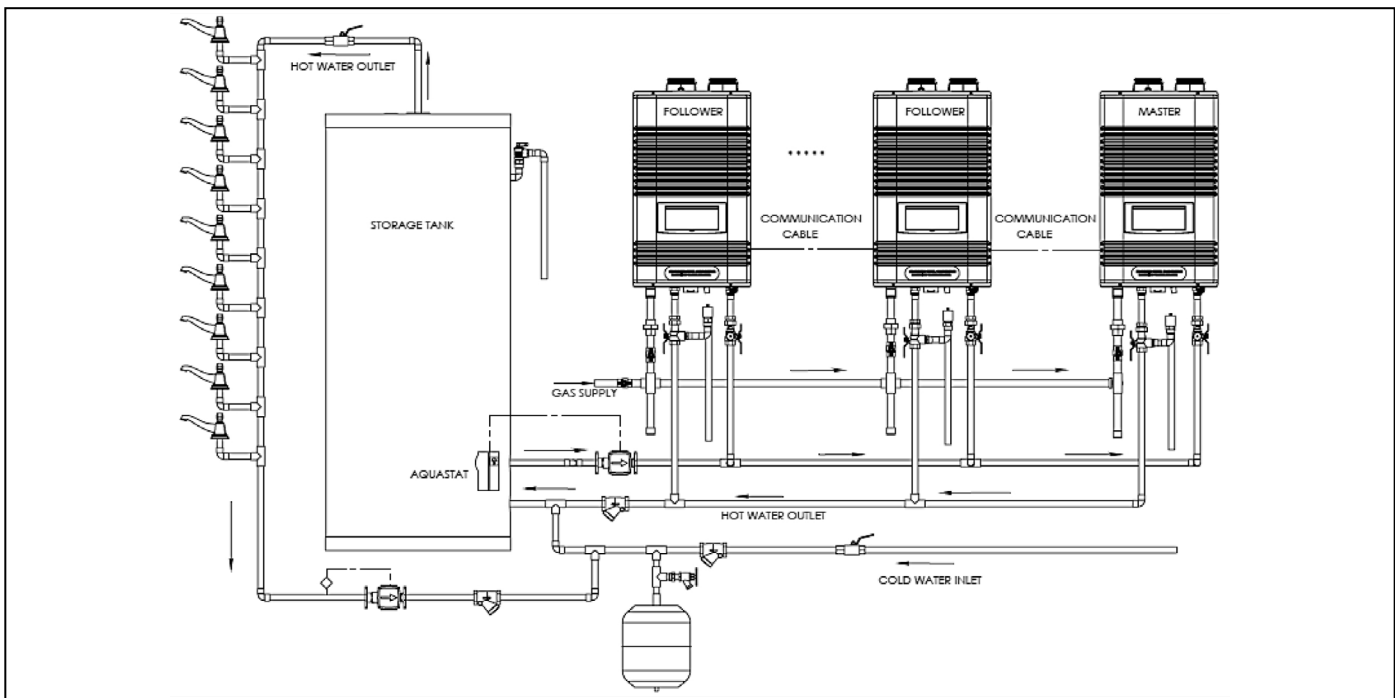


Figure 15 - Cascaded Water Heaters with Storage Tank and Recirculation

NOTES:

1. Minimum pipe size should match connection size. Upsize pipe accordingly if greater flow is required.
2. A thermal expansion tank suitable for potable water must be sized and installed within this piping system between the backflow preventer and the cold water inlet.
3. All circulators should have an integral flow check.
4. Drains and check valve between water heater and piping will assist in purging air from system.
5. These drawings are meant to demonstrate system piping only. The installer is responsible for all equipment and detailing required by local codes. In Massachusetts, you must install a vacuum relief valve per 248 CMR.
6. Mixing valve application is optional, but recommended to help prevent scalding.
7. Always shut off power to the water heater or isolate the heater from the system if ANY plumbing work is to be done. Running the water heater without water will result in dry-firing.
8. When using unit with storage tank, the setpoint of the water heater needs to be at least 20°F higher than the setpoint of the Aquastat on the tank. Pump selection must meet a minimum flow rate requirement of 2 GPM.

NOTE: These drawings are meant to show system piping concept only. Installer is responsible for all equipment and detailing required by local codes.

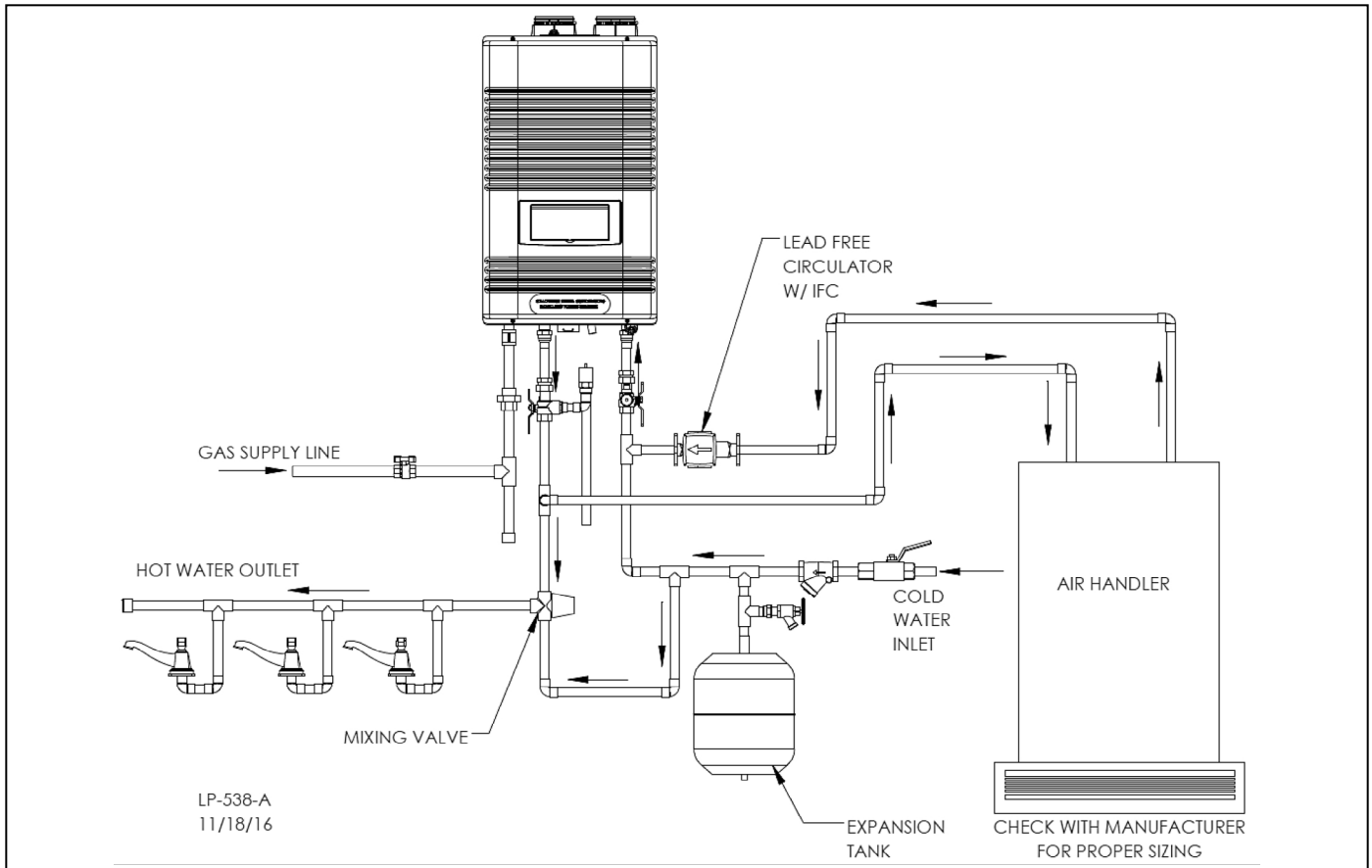


Figure 16 - Water Heater with Air Handler - NOTE: There is a Built-In Flow Check in the Air Handler Loop

NOTES:

1. Minimum pipe size should match connection size. Upsize pipe accordingly if greater flow is required.
2. A thermal expansion tank suitable for potable water must be sized and installed within this piping system between the backflow preventer and the cold water inlet.
3. All circulators should have an integral flow check.
4. Drains and check valve between unit and storage tank will assist in purging air from system.
5. These drawings are meant to demonstrate system piping only. The installer is responsible for all equipment and detailing required by local codes. In Massachusetts, you must install a vacuum relief valve per 248 CMR.
6. Mixing valve application is optional, but recommended to help prevent scalding.
7. Always shut off power to the water heater or isolate the heater from the system if ANY plumbing work is to be done. Running the water heater without water will result in dry-firing.

NOTES FOR AIR HANDLER APPLICATION:

1. MASSACHUSETTS STATE PLUMBING CODE REQUIRES A DISTANCE NO GREATER THAN 50 FEET FROM THE WATER HEATER TO THE FAN COIL IN THE AIR HANDLER.
2. MASSACHUSETTS STATE PLUMBING CODE REQUIRES AN ELECTRONICALLY TIMED CIRCULATOR PUMP TO ACTIVATE EVERY SIX HOURS FOR 60 SECONDS. THIS CIRCULATOR IS REQUIRED TO BE BRONZE OR STAINLESS.
3. ALL WATER PIPING MUST BE INSULATED.
4. YOU MUST INSTALL A VACUUM RELIEF VALVE PER 248 CMR.

NOTE: THIS DRAWING IS MEANT TO DEMONSTRATE SYSTEM PIPING ONLY. THE INSTALLER IS RESPONSIBLE FOR ALL EQUIPMENT AND DETAILING REQUIRED BY LOCAL CODES.

NOTE: These drawings are meant to show system piping concept only. Installer is responsible for all equipment and detailing required by local codes.

F. Circulator Sizing

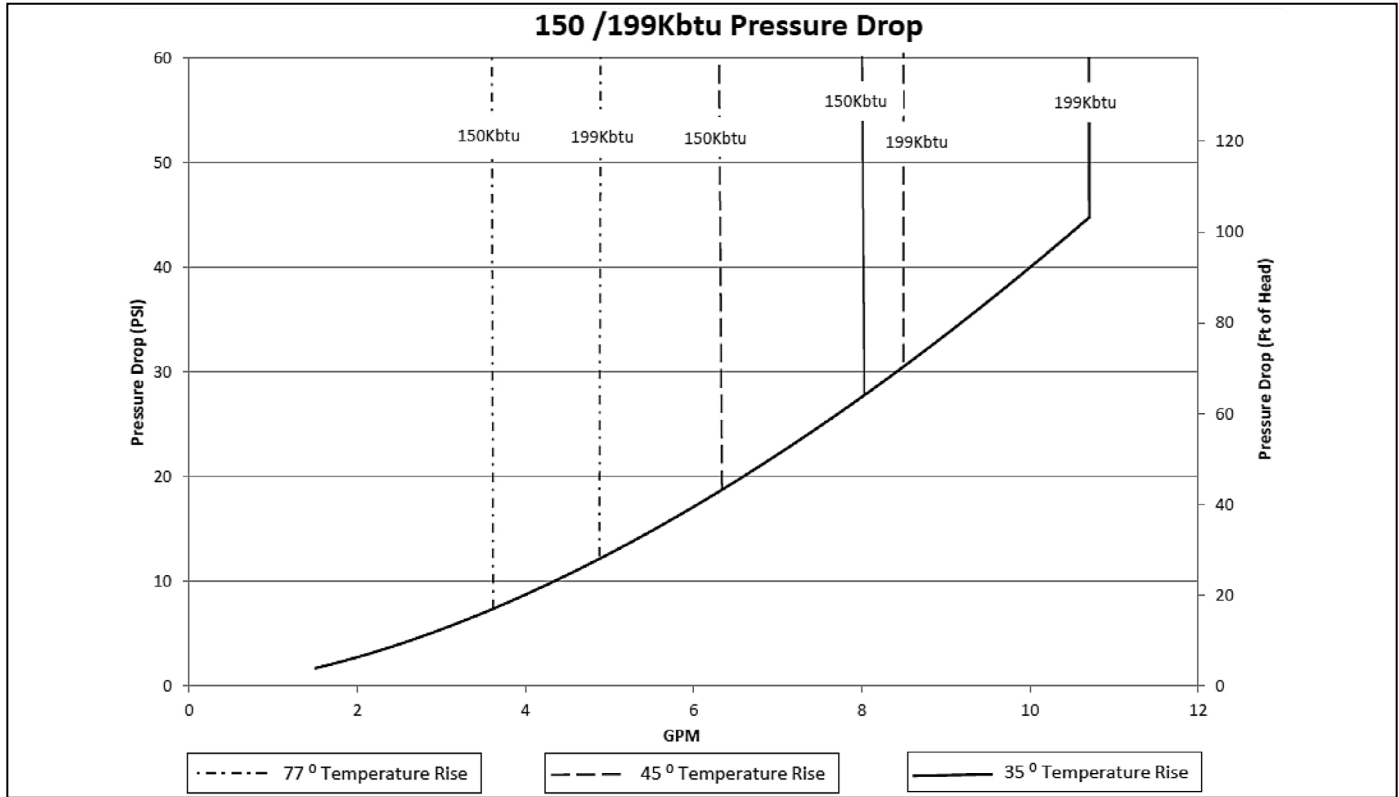


Figure 17 - Pressure Drop through the Heat Exchanger

Number of Units	ΔT = 77°F			ΔT = 45°F			ΔT = 35°F		
	Flow Rate (GPM)	Water Velocity (ft/s)	Pipe Dia. (In.)	Flow Rate (GPM)	Water Velocity (ft/s)	Pipe Dia. (In.)	Flow Rate (GPM)	Water Velocity (ft/s)	Pipe Dia. (In.)
1	5	3.75	3/4	9	3.61	1	11	4.64	1
2	10	4.22	1	18	3.21	1 1/2	23	4.13	1 1/2
3	16	4.05	1 1/4	27	4.82		34	3.48	
4	21	3.75	1 1/2	35	3.61	2	45	4.64	2
5	26	4.69		44	4.52		57	3.72	
6	31	3.17	2	53	3.47	2 1/2	68	4.46	2 1/2
7	36	3.69		62	4.05		80	3.61	
8	41	4.22		71	4.62		91	4.13	
9	47	4.75	2 1/2	80	3.61	3	102	4.64	3
10	52	3.38		88	4.01		114	3.79	
11	57	3.72		97	4.42		125	4.17	
12	62	4.05		106	4.82		136	4.55	
13	67	4.39	3	115	3.83	3 1/2	148	4.93	3 1/2
14	72	4.73		124	4.13		159	4.06	
15	78	3.52		133	4.42		171	4.35	
16	83	3.75		142	4.72		182	4.64	
17	88	3.99		150	3.84		193	4.94	
18	93	4.22	159	4.06	205	5.23	4		

Table 13 - Recommended Water Pipe Size

NOTE: The above pipe sizes are recommended based on water velocity of 5 ft/s and a maximum water temperature of 140°F.

G. Pressure Relief Valve

An external pressure relief valve must be installed on this water heater. When installing, observe the following guidelines. Failure to comply with these guidelines can result in substantial property damage, personal injury, or death.

This water heater must be provided with an approved 150 psi, 3/4" ASME HV Valve that must be installed on the DHW outlet line. The 150 psi Pressure Relief Valve must be installed on the DHW outlet line to ensure a compliant installation and safe operation.

This water heater has a high-temperature shut-off switch built in as a standard safety feature. Therefore, a "pressure only" relief valve is

required. DO NOT operate this water heater before the supplied pressure relief valve is installed with sufficient relieving capacity in accordance with the rating plate on the water heater.

Pressure relief valves must be installed as close to the water heater as possible. No other valves should be placed between the pressure relief valve and the appliance. DO NOT install a relief valve with a pressure rating greater than 150 psi. This is the maximum allowable relief valve setting for this water heater.

After installing the relief valve and filling and pressurizing the system, test the operation of the valve by lifting the lever. Make sure the valve discharges freely. If the valve fails to operate correctly, replace it with a new relief valve. Ensure that the maximum BTU/H rating on the pressure relief valve is equal to or greater than the maximum input BTU/H rating of the combination water heater.

WARNING

To avoid water damage or scalding due to relief valve operation:

- Discharge line must be connected to relief valve outlet and run to a safe place of disposal. Terminate the discharge line in a manner that will prevent possibility of severe burns or property damage should the relief valve discharge.
- Discharge line must be as short as possible and the same size as the valve discharge connection throughout its entire length.
- Discharge line must pitch downward from the valve and terminate at least 6" above the floor drain, making discharge clearly visible.
- Discharge line shall terminate plain, not threaded, with a material serviceable for temperatures of 375°F or greater.
- Do not pipe discharge to any location where freezing could occur.
- No shutoff valve may be installed between the relief valve and water heater or in the discharge line. Do not plug or place any obstruction in the discharge line.
- Test the operation of the relief valve after filling and pressurizing the system by lifting the lever. Make sure the valve discharges freely. If the valve fails to operate correctly, replace it with a new relief valve.
- Test relief valve at least once annually to ensure the waterway is clear. If valve does not operate, turn the water heater "off" and call a plumber immediately.
- Take care whenever operating relief valve to avoid scalding injury or property damage.
- For water heaters installed with only a pressure relief valve, the separate storage vessel must have a temperature and pressure relief valve installed. This relief valve shall comply with Relief Valves for Hot Water Supply Systems, ANSI Z21.22 CSA4.4.

FAILURE TO COMPLY WITH THE ABOVE GUIDELINES COULD RESULT IN FAILURE OF RELIEF VALVE OPERATION, RESULTING IN POSSIBILITY OF SUBSTANTIAL PROPERTY DAMAGE, SEVERE PERSONAL INJURY, OR DEATH.

Do not thread a cap or plug into the relief valve or relief valve line under any circumstances! Explosion and property damage, serious injury, or death may result.

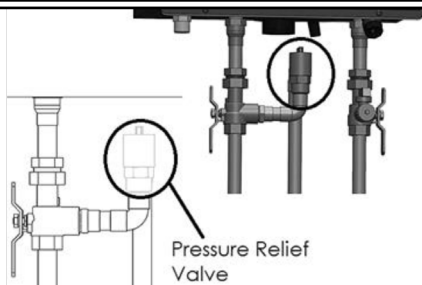


Figure 18 - Relief Valve Details

WARNING

RE-INSPECTION OF RELIEF VALVES: Valves should be inspected AT LEAST ONCE EVERY THREE YEARS, and replaced if necessary, by a licensed plumbing contractor or qualified installer / service technician to ensure that the product has not been affected by corrosive water conditions and to ensure that the valve and discharge line have not been altered or tampered with illegally. Certain naturally occurring conditions may corrode the valve and its components over time, rendering the valve inoperative. Such conditions can only be detected if the valve and its components are physically removed and inspected. **Do not attempt to conduct an inspection on your own.** Contact your plumbing contractor for a re-inspection to assure continued safety.

FAILURE TO RE-INSPECT THE RELIEF VALVE AS DIRECTED COULD RESULT IN UNSAFE TEMPERATURE AND/OR PRESSURE BUILD-UP WHICH CAN RESULT IN PROPERTY DAMAGE, SERIOUS PERSONAL INJURY, OR DEATH.

H. Filling the Heater

WARNING

The water heater must be full of water and the system fully purged BEFORE powering the water heater. When filling the water heater, open a hot water tap to release air in the water heater and piping. All air has been purged from the system when water runs freely from the faucets.

Applying power to the water heater when it is not full of water will damage the heat exchanger, and could result in property damage, serious personal injury, or death. Such damages ARE NOT covered by water heater warranty.

- Ensure any drain valves are completely closed.
- Open the shut-off valve in the cold water supply line.
- Open the hot water faucets to allow air to vent from the heater and piping.
- Allow sufficient time for the heater to completely fill with water.

Part 5 - Venting

DANGER

The heater must be vented as detailed in this section. Ensure exhaust vent and intake piping complies with these instructions regarding vent system. Inspect finished exhaust vent and intake piping thoroughly to ensure all joints are well secured, airtight, and comply with all applicable code requirements, as well as the instructions provided in this manual. Failure to properly install the vent system will result in severe personal injury or death.

A. General

DANGER

This heater is certified as a "Category IV" appliance and requires a special venting system. The vent system will operate with a positive pressure in the pipe. Exhaust gases must be piped directly outdoors using the vent materials and rules outlined in these instructions. Do not connect vent connectors serving appliances vented by natural draft into any portion of mechanical draft systems operating under positive pressure. Follow the venting instructions carefully. Failure to do so will result in substantial property damage, severe personal injury, or death.

Exhaust and intake are to be piped separately. This heater cannot share a common exhaust or intake with multiple appliances. Failure to follow these instructions will result in substantial property damage, severe personal injury, or death.

1. Installation should be made in accordance with the regulations of the Authority Having Jurisdiction, local code authorities, and utility companies which pertain to this type of water heating equipment.
2. Install the venting system in accordance with these instructions and with the National Fuel Gas Code, ANSI Z223.1/NFPA 54, CAN/CGA B149, and / or applicable provisions of local building codes.
3. This water heater must be vented with materials, components, and systems listed and approved for Category IV appliances.

NOTE: To avoid contamination often contained in indoor air, it is best to pipe all intake combustion air directly to the outdoors.

NOTE: Care must be taken to prevent condensate freezing in the exhaust vent pipe system. See local, state, provincial, and national codes for best practices to prevent condensate freezing in the exhaust vent pipe system.

B. Approved Materials for Exhaust Vent and Intake Pipe

Item	Material	Standards for Installation In:	
		United States	Canada
Pipe and Fittings Approved for Intake ONLY	ABS*	ANSI/ASTM D2661	NOT PERMITTED
Pipe Approved for Intake OR Exhaust Vent	PVC Schedule 40/80	ANSI/ASTM D1785	PVC, CPVC, and PP Venting Must be ULC-S636 Certified. IPEX is an approved manufacturer in Canada.
	PVC-DWV Schedule 40/80	ANSI/ASTM D2665	
	CPVC Schedule 40/80	ANSI/ASTM F441	
	Polypropylene	UL-1738 or ULC-S636	
	Stainless Steel AL29-4C	Certified for Category IV and Direct Vent Appliance Venting	
Pipe Fittings	PVC Schedule 40	ANSI/ASTM D2466 or D2665	PVC, CPVC, and PP Venting Must be ULC-S636 Certified. IPEX is an approved manufacturer in Canada.
	PVC Schedule 80	ANSI/ASTM D2467 or D2665	
	CPVC Schedule 40	ANSI/ASTM F438	
	CPVC Schedule 80	ANSI/ASTM F439	
Pipe Cement	ABS*	ANSI/ASTM D2235	NOT PERMITTED
	PVC	ANSI/ASTM D2564	IPEX System 636 Cements and Primers
	CPVC	ANSI/ASTM F493	
Pipe Primer	PVC / CPVC	ASTM F656	

DANGER

- The exhaust and intake components installed with this boiler must be used for near boiler piping BEFORE transitioning to the approved materials listed above. DO NOT REMOVE these installed components. Doing so WILL VOID boiler warranty.
- PVC / CPVC pipe and fittings of the same diameter are considered interchangeable.
- DO NOT use Foam Core Pipe in any portion of the exhaust piping from this boiler.
- DO NOT connect PVC/CPVC to Polypropylene without an approved vent connector.
- Any transition to Polypropylene MUST be done in the vertical within five (5) feet of the appliance.
- When installing AL29-4C vent piping, install a PVC-to-stainless adapter at the boiler vent connection, and at the termination when using a PVC termination kit. DO NOT mix AL29-4C piping from different manufacturers unless using adapters specifically designed for the purpose by the manufacturer.
- A double wall vent may be used when using stainless steel vent material in a freezing climate.
- *ABS may be used for air intake applications ONLY. ABS is NOT PERMITTED for use in Canada.
- Contact the venting material manufacturer if there is any question about the applicability of the proposed venting material.

Failure to follow these directions will result in substantial property damage, severe personal injury, or death.

Table 14 - Approved Materials for Exhaust Vent and Intake Pipe

WARNING

Exhaust vent adaptors are not designed as load-bearing devices, and must not be used to support exhaust vent piping. All vent pipes must be properly connected, supported, and the exhaust vent must be pitched a minimum of 1/4" per foot back to the heater to allow drainage of condensate. Failure to properly support vent piping and follow the information in this statement could result in product damage, severe personal injury, or death.

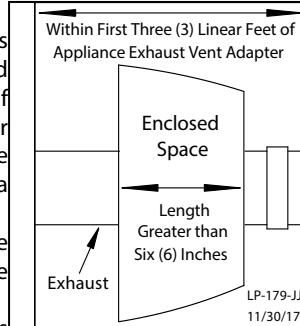
WARNING

Improper seating of vent pipe gaskets can cause eventual gasket failure and exhaust gas leakage. Ensure the exhaust vent pipe is properly beveled and seated before insertion into the flue adapter. Failure to do so could result in property damage, severe personal injury, or death.

WARNING

DO NOT mix components from different venting systems. The vent system could fail, causing leakage of flue products into the living space. Use only the approved pipe and fitting materials, and primer and cement specifically designed for the material used, as listed in the above table. Failure to do so could result in property damage, serious injury, or death.

- DO NOT insulate the first three (3) linear feet of the exhaust vent run.
- CPVC, Polypropylene, or Stainless Steel pipe material MUST be used if the first three (3) linear feet of the exhaust vent run is insulated or passes through an enclosed space greater than 6" in length, such as a wall.
- If CPVC is used to meet these requirements, the balance may be installed with approved PVC pipe.
- If Polypropylene or Stainless Steel is used to meet these requirements, the balance of the vent run must be installed with the same material.
- Failure to comply with this warning could result in property damage, severe personal injury, or death.



CAUTION

High heat sources (generating heat 100°F / 37°C or greater, such as boiler flue pipes, space heaters, etc.) may damage plastic components of the water heater as well as plastic vent pipe materials. Such damages ARE NOT covered by warranty. It is recommended to keep a minimum clearance of 8" from high heat sources. Observe heat source manufacturer instructions, as well as local, state, provincial, and national codes, laws, regulations, and ordinances when installing this water heater and related components near high heat sources.

NOTE: The use of double-wall vent or insulated material for the combustion air intake pipe is recommended in cold climates to prevent the condensation of airborne moisture in the incoming combustion air.

WARNING

It is required to insert the provided exhaust and intake screens into the vent terminations to prevent blockage caused by debris or birds. Failure to keep terminations clear could result in property damage, severe personal injury, or death.

DANGER

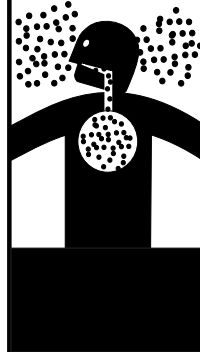
You must not use "B" vent in an exhaust application. "B" vent is for intake applications ONLY. Using "B" vent in an exhaust application will result in serious injury or death.

C. Additional Requirements for Installation in Canada

1. Installations must be made with a vent pipe system certified to ULC-S636. IPEX is an approved vent manufacturer in Canada supplying vent material listed to ULC-S636. Additionally, you may use AL29-4C stainless steel venting to comply with Canadian requirements.
2. The first three (3) feet of vent pipe from the water heater flue outlet must be readily accessible for visual inspection.
3. The components of the certified vent system must not be interchanged with other vent systems or unlisted pipe / fittings.

WARNING

Breathing Hazard - Carbon Monoxide Gas



- Do not operate heater if flood damaged.
- Install vent system in accordance with local codes and manufacturers installation instructions.
- Do not obstruct heater air intake or exhaust. Support all vent piping per manufacturers installation instructions.
- Do not place chemical vapor emitting products near unit.
- According to NFPA 720, carbon monoxide detectors should be installed outside each sleeping area.
- Never operate the heater unless it is vented to the outdoors.
- Analyze the entire vent system to make sure that condensate will not become trapped in a section of vent pipe and therefore reduce the open cross sectional area of the vent.

Breathing carbon monoxide can cause brain damage or death. Always read and understand instruction manual.

LP-304

D. Exhaust Vent and Intake Pipe Location

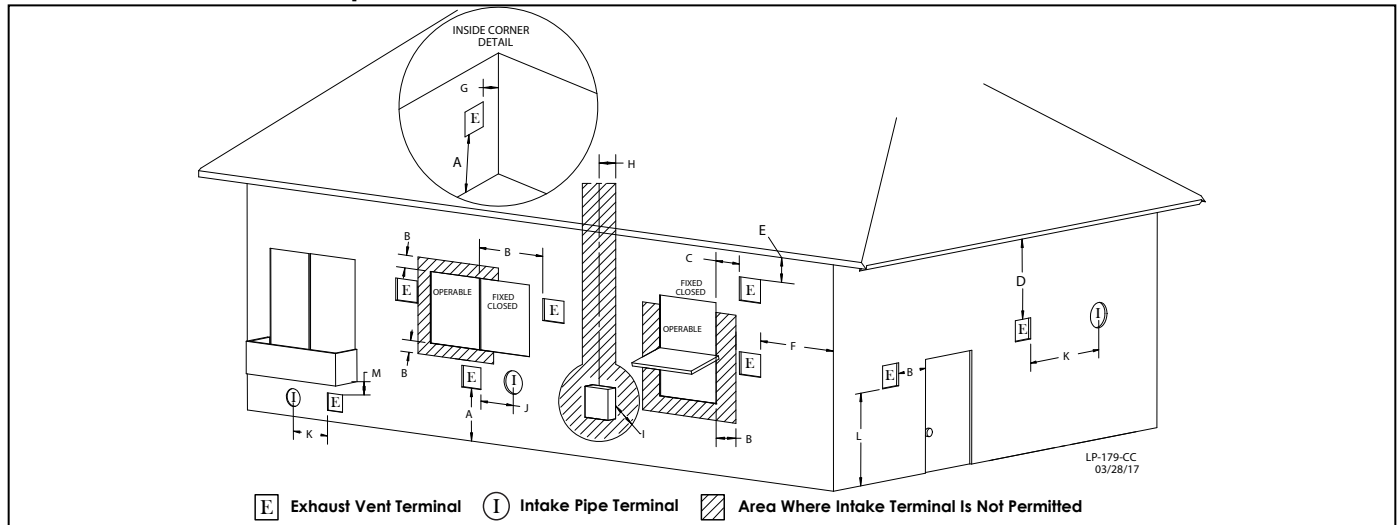


Figure 19 - Exit Terminals for Direct Vent Systems - ANSI Z223.1 / NFPA 54 for US and CAN/CSA B149.1 for Canada

DESCRIPTION		US	CANADA
A	Clearance above grade, veranda, porch, deck, or balcony	1 foot (30 cm)	
B	Clearance to window or door that may be opened	Direct Vent	3 feet (91 cm)
		Power Vent	
C	Clearance to permanently closed window	*	
D	Vertical clearance to ventilated soffit located above the terminal within a horizontal distance 2 feet (61 cm) from the center line of the terminal	*	
E	Clearance to unventilated soffit	*	
F	Clearance to outside corner	*	
G	Clearance to inside corner	*	
H	Clearance to each side of center line extended above meter / regulator assembly	*	
I	Clearance to service regulator vent outlet	*	Above a regulator within 3 feet (91 cm) horizontally of the vertical center line of the regulator vent outlet to a maximum vertical distance of 15 ft (4.5 m)
J	Clearance to nonmechanical air supply inlet to building or the combustion air inlet to any other appliance	Direct Vent	3 feet (91 cm)
		Power Vent	
K	Clearance to mechanical air supply inlet	3 feet above if within 10 feet horizontally	6 feet (1.83 m)
L	Clearance above paved sidewalk or paved driveway located on public property	Direct Vent	7 feet (2.13 m)
		Power Vent	
M	Clearance under veranda, porch deck, or balcony	*	1 foot (30 cm)

Table 15 - Vent Termination Clearances - *NOTE: For clearances not specified in ANSI Z223.1 / NFPA 54 for US and CAN/CSA B149.1 for Canada, please use clearances in accordance with local installation codes and the requirements of the gas supplier.

WARNING

The building owner is responsible for keeping the exhaust and intake terminations free of snow, ice, or other potential blockages, as well as scheduling routing maintenance. Failure to keep the vent piping terminations clear and properly maintain the heater could result in property damage, severe personal injury, or death.

For each floor containing bedroom(s), a carbon monoxide detector and alarm shall be placed in the living area outside the bedrooms, as well as in the room that houses the heater. Detectors and alarms shall comply with NFPA 720 (latest edition). Failure to comply with these requirements could result in product damage, severe personal injury, or death.

E. Exhaust Vent and Intake Pipe Sizing

- The exhaust vent and intake pipe size is 2" for 150 models, and 3" for 199 models.
- The total equivalent length of 2" exhaust vent and intake pipe **should not exceed fifty (50) feet**; 3" exhaust vent and intake pipe **should not exceed one hundred (100) feet**.
 - The equivalent length of elbows, tees, and other fittings are listed in the Friction Loss Table.
 - For example: If the 3" exhaust vent has two 90° elbows and 10 feet of PVC pipe we will calculate:
 Exhaust Vent Equivalent Length = (2x5) + 10 = 20 feet.
 Further, if the 3" intake pipe has two 90° elbows, one 45° elbow, and 10 feet of PVC pipe, the following calculation applies:
 Intake Pipe Equivalent Length = (2x5) + 3 + 10 = 23 feet.
 Finally, if a concentric kit is used we find:
 Total Equivalent Length = 20 + 23 + 3 = 46 feet.
 The total equivalent length is 46 feet, well below the maximum of 100 feet.
 - Effort should be made to keep a minimum difference in equivalent length between the exhaust vent and intake pipe.
- The minimum total equivalent length is 14 feet.

Friction Loss Equivalent in Piping and Fittings		
Fittings or Piping	Equivalent Feet	
	2"	3"
90 Degree Elbow*	5'	5'
45 Degree Elbow	3'	3'
Coupling	0'	0'
Air Inlet Tee	0'	0'
Straight Pipe	1'	1'
Concentric Kit	3'	3'
V500 2" Kit	1'	N/A
V1000 3" Kit	N/A	1'
V2000 4" Kit	N/A	1'

Table 16 - *Friction loss for long radius elbow is 1 foot less. NOTE: Consult Polypropylene venting instructions for friction loss and pressure drop equivalents.

NOTE: The intake pipe and exhaust vent lengths do not have to be of equal length. There is no balancing requirement between intake and exhaust.

2" Combined Vent Length		3" Combined Vent Length	
Minimum	Maximum	Minimum	Maximum
14' (4.2M)	50' (50M)	14' (4.2M)	100' (30M)
Maximum # of 90° Elbows (2" and 3" Vent Diameters)			
6			

Table 17 - Approved Vent Lengths

CAUTION
Do not exceed the maximum lengths for vent pipes. Excessive length could result in heater shutdown and property damage.
Failure to provide a minimum total vent length of 14 equivalent feet could result in property damage and improper product operation.

F. Tightening Water Heater Collar to Exhaust Vent and Intake Pipe

This appliance uses 2" or 3" diameter pipe for exhaust vent and intake pipe. In order to use 2" pipe, it is required to reduce pipe size in a vertical length of pipe with a 3" x 2" reducing coupling (not included). Follow the steps below to install 3" vent pipe into the appliance vent

collar. See Figure 20 for additional details.

NOTE: Clean and dry the appliance connection. DO NOT use primer or cement on the appliance connection.

- Push the length of pipe into the connection until it touches the bottom of the fitting.
- Tighten the clamps using a screwdriver.
- Ensure the pipe is secure before continuing installation.
- For 2" installations, install the reducing coupling in a vertical section of pipe. At least a 6" length of 3" pipe MUST BE INSTALLED before reducing to 2". See Figure 21.

NOTE: A reducing coupling MUST BE USED when transitioning from 3" to 2" vent pipe. DO NOT use reducing bushings.

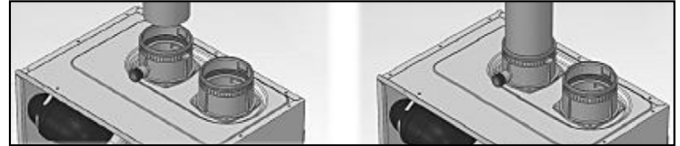


Figure 20 - Correct Installation into the Appliance Collar

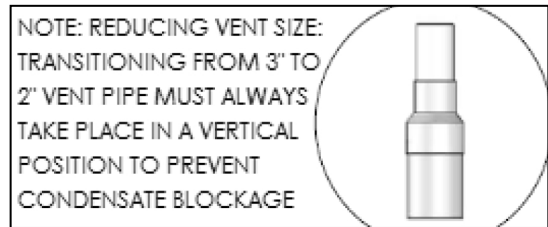


Figure 21 - Transitioning from 3" to 2" Vent Pipe

G. Exhaust Vent and Intake Pipe Installation

WARNING
All joints of positive pressure vent systems must be sealed completely to prevent leakage of flue products into the living space. Failure to do so could result in property damage, serious injury, or death.

- Use only solid PVC or CPVC pipe or a Polypropylene vent system approved for use with Category IV appliances. FOAM CORE PIPING IS NOT APPROVED FOR EXHAUST VENT APPLICATIONS. Foam core piping may be used on air inlet piping only.
- Remove all burrs and debris from joints and fittings.
- When using PVC or CPVC pipe, all joints must be properly cleaned, primed, and cemented. Use only cement and primer approved for use with the pipe material. Cement must conform to ASTM D2564 for PVC and ASTM F493 for CPVC pipe. **NOTE: DO NOT CEMENT POLYPROPYLENE PIPE.**
- Ensure the vent is located where it will not be exposed to prevailing winds.
- In all roof venting applications, exhaust discharge must point away from the pitch of the roof.
- To prevent water leakage, install adequate roof flashing where the pipe enters the roof.
- Do not locate vent over public walkways, driveways, or parking lots. Condensate could drip and freeze, resulting in a slip hazard or damage to vehicles and machinery.
- Due to potential moisture build-up, sidewall venting may not be the preferred venting option. To save time and cost, carefully consider venting installation and location.
- Horizontal lengths of exhaust vent must slope back towards the water heater not less than ¼" per foot to allow condensate to drain from the vent pipe.
- The exhaust vent must terminate where vapors cannot make accidental contact with people or pets, or damage shrubs or plants.
- In vacant chimney applications, install and seal a rain cap over existing chimney openings.
- All piping must be fully supported. Use pipe hangers at a

minimum of 4 foot intervals to prevent sagging of the pipe where condensate may form.

13. Do not use the heater to support any piping.

14. A screened straight coupling is provided with the heater for use as an outside exhaust termination.

15. A screened inlet air tee is provided with the heater to be used as an outside intake termination.

16. Maximum Snow Level Determination: These installation instructions reference snow levels in establishing a minimum height for the installation of exhaust vent or air intake terminations. Snow levels shall be determined as follows:

- a. The installation location may, by ordinance, designate how snow levels are calculated in that location; or
- b. In the absence of specific ordinances, snow levels shall be calculated from the average monthly maximum depth of snow accumulation as indicated by the National Weather Service's 10 year statistics for the installation location/geographical area.

In addition:

- Total length of vent piping shall not exceed the limits specified in this manual.
- The vent piping for this direct vented appliance is approved for zero clearance to combustible construction.
- The flue products coming from the exhaust vent will create a large plume when the heater is in operation. Avoid venting in areas that will affect neighboring buildings or be considered objectionable.
- DO NOT locate exhaust vent or intake pipe in a parking area where machinery may damage the pipe.
- DO NOT vent near soffit vents, crawl space vents, or other areas where condensate or vapor could create a nuisance or hazard or cause property damage.
- DO NOT vent where condensate vapor could cause damage or could be detrimental to the operation of regulators, relief valve, or other equipment.

In the Commonwealth of Massachusetts and as Required by State and Local Codes:

- The vented gas fueled appliance shall not be installed so its combustion, ventilation, or dilution air is obtained from a bedroom or bathroom.
- Signage: Whenever any through-the-wall (horizontal or sidewall) vent is installed less than seven feet above the finished grade, a metal or plastic identification plate shall be permanently mounted to the exterior of the building at a minimum height of eight feet above grade directly in line with the exhaust vent terminal. The sign shall read, in print no less than 0.5 inches in size, "GAS VENT DIRECTLY BELOW. KEEP CLEAR OF ALL OBSTRUCTIONS".
- Marking of Exhaust Vent and Intake Pipe: Piping used for ventilation, make-up, or combustion air intake shall be labeled as follows:
 - a. Throughout the entire developed length:
 - i. Labels must be placed every ten feet for exposed/visible piping; or
 - ii. Labels must be placed every three feet for concealed piping.
 - b. At all changes of direction;
 - c. On each side of a penetration through a partition, wall or ceiling; and
 - d. The labels shall be black lettering that:
 - i. Indicates that the piping is used for ventilation, make-up, or combustion air intake, and
 - ii. The letters shall be sized equal to a minimum of the pipe diameter. However, for piping with a diameter exceeding two inches, said lettering does not need to be larger than two inches.

This table lists optional exhaust/intake terminations available from Westinghouse:

Description	Stock Code
2" PVC Concentric Termination Kit	KGAVT0501CVT
3" PVC Concentric Termination Kit	KGAVT0601CVT
2" Stainless Steel Termination Kit	V500
3" Stainless Steel Termination Kit	V1000
3" Polypro Vent Kit	8400P-001

Table 18 - Optional Vent Kits

H. Applications

1. Direct Vent Installation of Exhaust and Intake

If installing a direct vent option, combustion air must be drawn from the outdoors directly into the water heater intake, and exhaust must terminate outside. There are three basic direct vent options detailed in this manual: 1. Side Wall Venting, 2. Roof Venting, and 3. Unbalanced Venting.

Be sure to locate the heater such that the exhaust vent and intake pipe can be routed through the building and properly terminated. Different vent terminals can be used to simplify and eliminate multiple penetrations in the building structure (see Optional Equipment in Venting Section). The exhaust vent and intake pipe lengths, routing and termination methods must all comply with the methods and limits given in the Venting section of this manual.

When installing a combustion air intake from outdoors, care must be taken to utilize uncontaminated combustion air. **NOTE:** To prevent combustion air contamination, see Table 7.

WARNING

All vent pipes must be glued, properly supported, and the exhaust pitched a minimum of 1/4" per foot back to the heater to allow drainage of condensate. When placing support brackets on vent piping, the first bracket must be within 1 foot of the water heater and the balance of 4 foot intervals on the vent pipe. Venting must be readily accessible for visual inspection from the first three feet from the heater.

Take extra precaution to adequately support the weight of vent pipes terminating through the roof. Failure to properly support roof terminated piping could result in property damage, serious injury, or death.

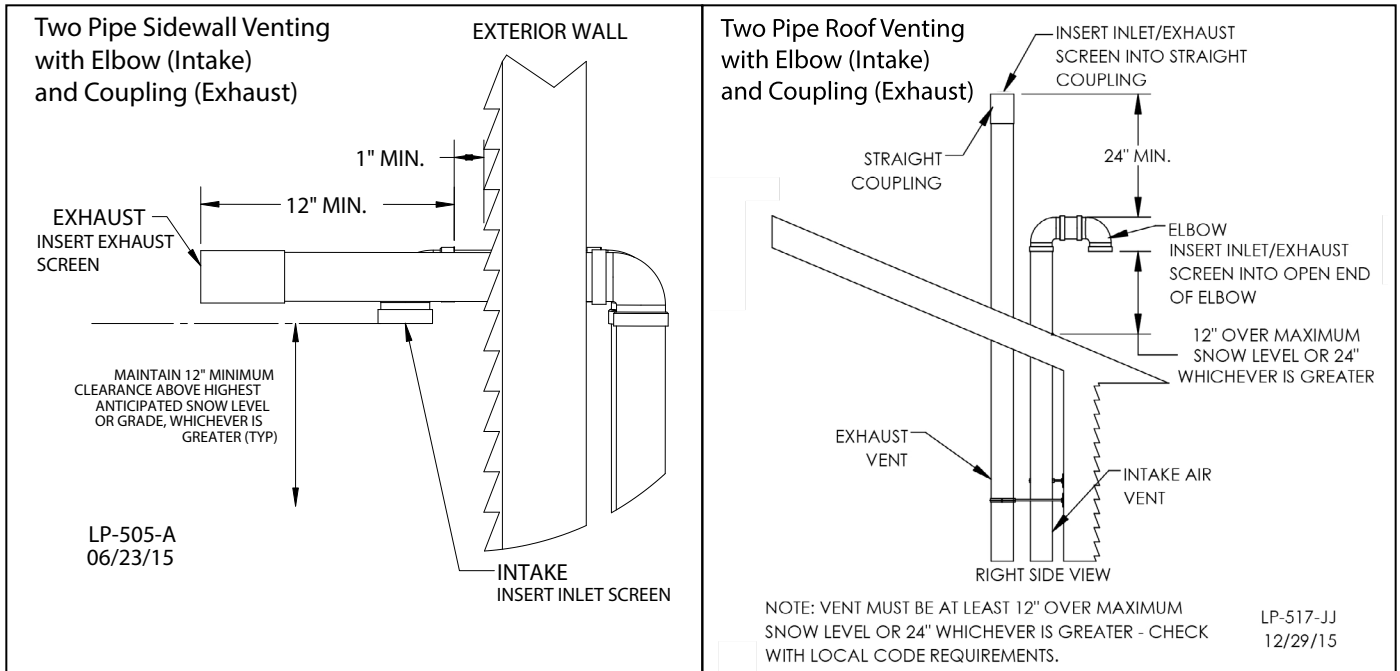


Figure 22 - Direct Vent, Roof and Sidewall Vent Terminations

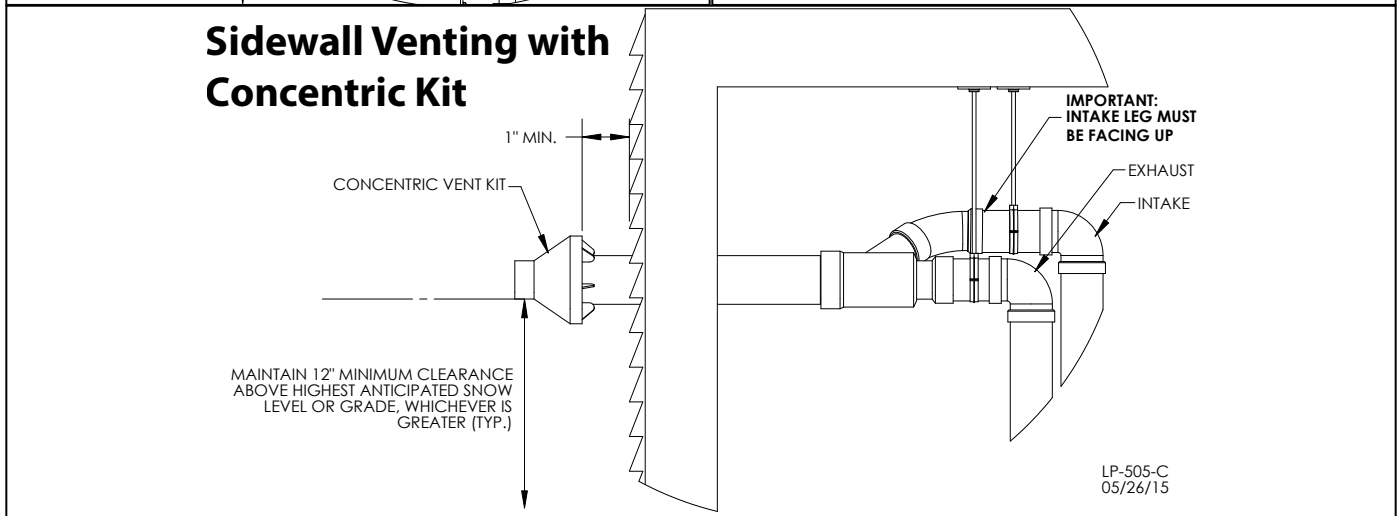
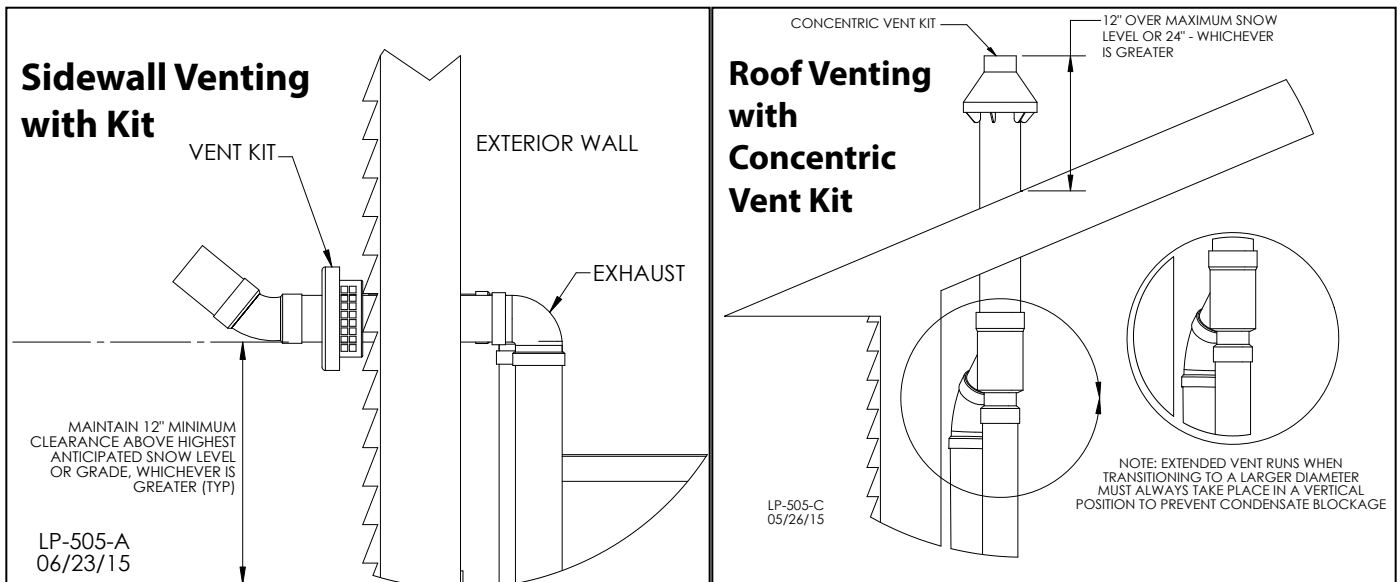


Figure 23 - Direct Vent, Vent Terminations with Optional Kits (NOT INCLUDED WITH THE APPLIANCE)

NOTE: These drawings are meant to demonstrate system venting only. The installer is responsible for all equipment and detailing required by local codes.

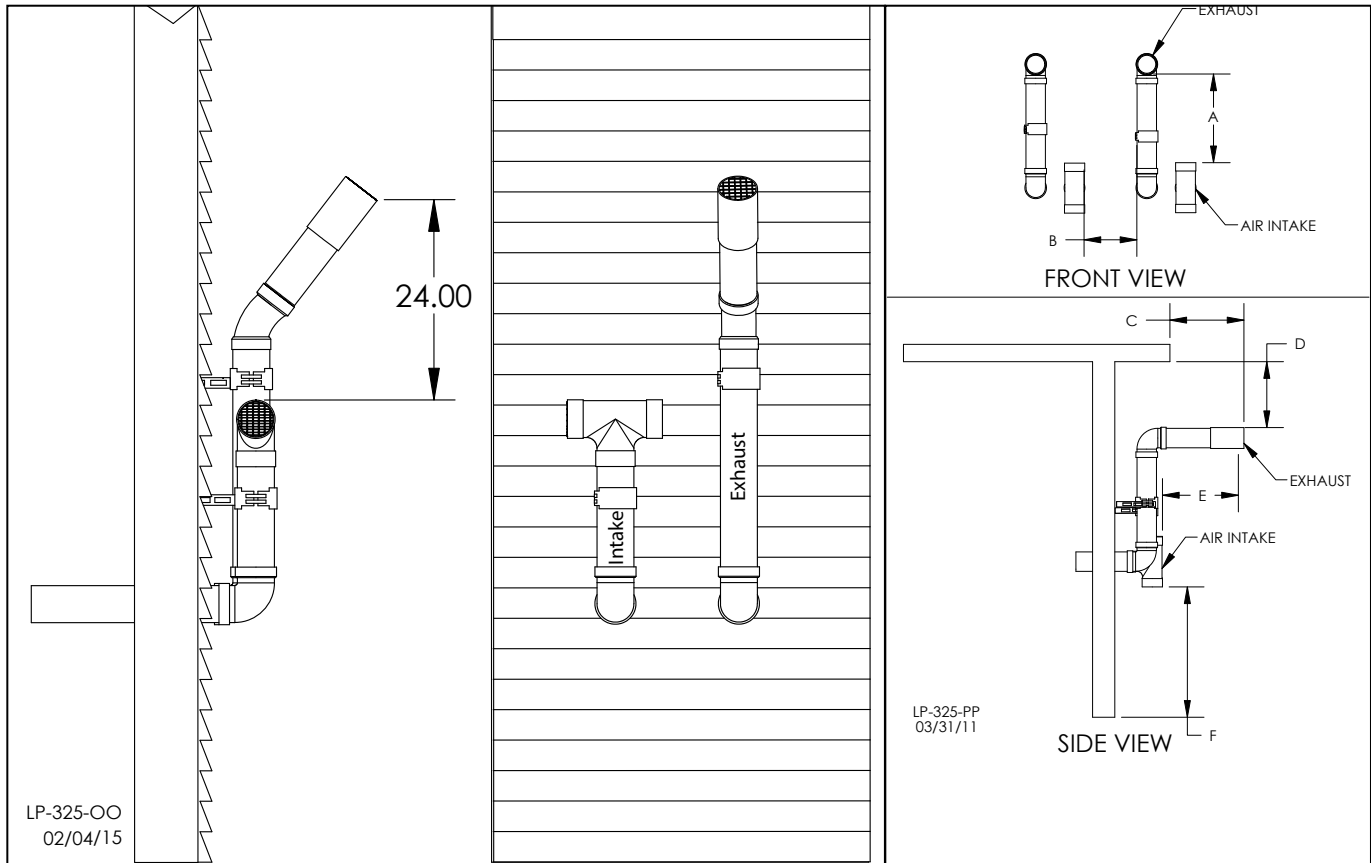


Figure 24 - Horizontal (Snorkel) Venting

NOTES:

- A. For every 1" of overhang, the exhaust vent must be located 1" vertical below overhang (overhang means top of building structure and not two adjacent walls [corner of building]).
- B. Typical installations require 12" minimum separation between bottom of exhaust outlet and top of air intake.
- C. Maintain 12" minimum clearance above highest anticipated snow level or grade (whichever is greater).
- D. Minimum 12" between vents when installing multiple vents.
- E. 12" minimum beyond air intake.

Screen Installation

After connecting the intake air and exhaust vent pipes, it is required to install the included screens into the exhaust vent and intake pipe terminations to prevent damages to the unit due to blockages. See Figure 25 for installation detail.

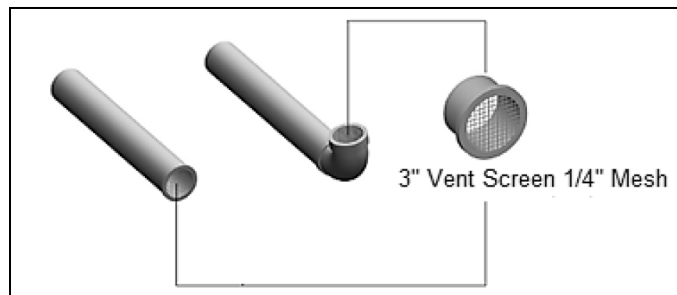


Figure 25 - Screen Installation - NOTE: Vent termination elbow is meant to be installed open end facing the ground. Orientation in Figure 25 is meant to demonstrate proper Vent Screen installation ONLY.

2. Venting Through an Existing System

This heater may be vented through an existing unused vent system. The inner diameter of the existing vent system is utilized for the combustion air source. Two methods have been approved for such venting: Concentric Venting Through an Existing System and Venting as a Chase.

⚠ DANGER
Do not install the heater into a common existing vent with any other appliance. This will cause flue gas spillage or heater malfunction, resulting in substantial property damage, serious personal injury, or death.
CAUTION
Contractors must check state and local codes before installing through an existing vent opening. State and local codes always take precedence over manufacturer's instructions. Failure to check state and local codes before installing through an existing opening could result in property damage and add significantly to installation costs.
If an existing venting system is converted for use with this heater, the installer must ensure that the existing venting system is clean and free from particulate contamination that could damage the heater. Failure to do so could result in property damage and heater failure. Such failure IS NOT covered under warranty.

Concentric Venting Through an Existing System

NOTE: The following instructions refer only to venting through an existing vent system, and not to venting with Westinghouse's optional concentric vent kits. Refer to Concentric Vent Kit installation manual (LP-166) for further information on venting with the optional

concentric vent kits.

Concentric venting through an existing system must run vertically through the roof. See Table 19 for proper minimum vent sizing. Use only the approved venting materials specified in Table 14 for piping the system. All instructions listed in this Venting section apply. See Figures 26-1 and 26-2 for venting demonstrations.

Vent / Air Inlet Size	Minimum Existing Vent / Chase Size
2"	4"
3"	5"
4"	7"

Table 19 - Minimum Existing Vent / Chase Sizing

⚠ DANGER
The upper and lower vent terminations as well as all joints in the venting system must be properly sealed to ensure that all combustion air is drawn properly and exhaust does not leak from the system. Failure to properly seal the venting system will result in property damage, serious personal injury, or death.

Chase Venting Through an Existing System

When venting as a chase, follow all instructions included in this Venting section, including those in the previous Concentric Venting Through an Existing System section. See Figure 26-3 for chase venting demonstration.

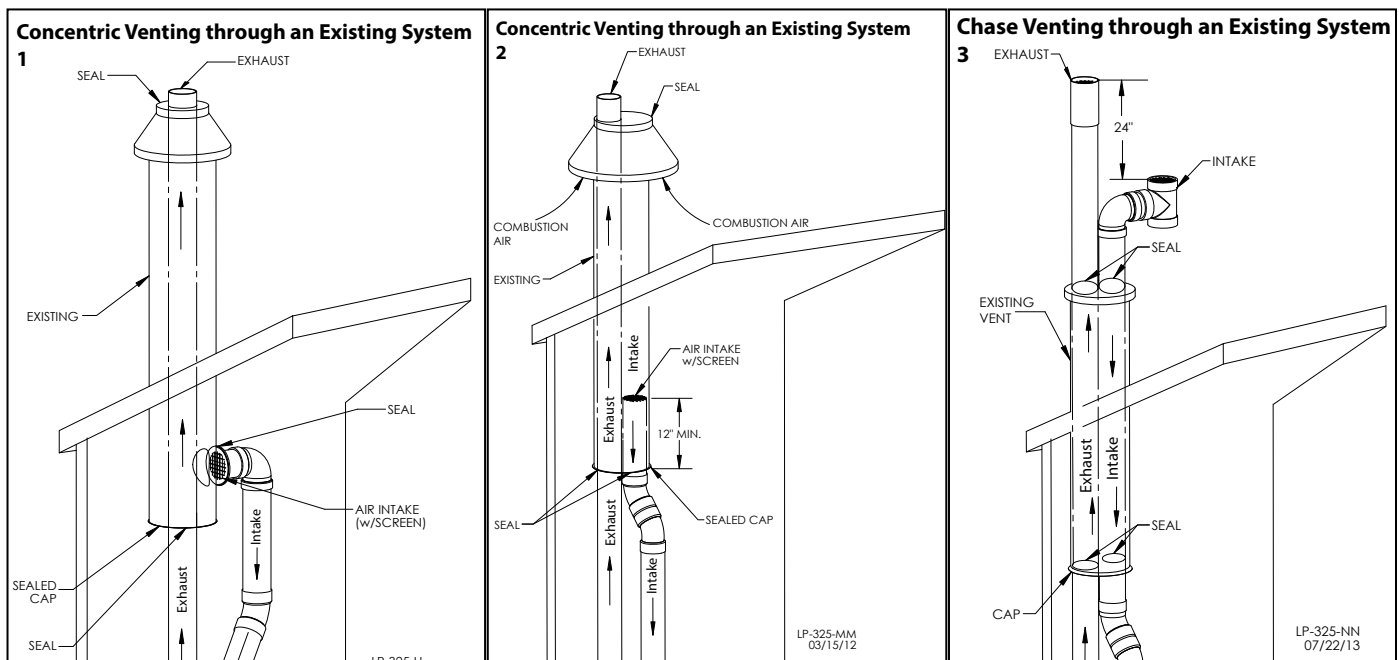


Figure 26 - 1, 2 - Concentric Venting Through an Existing System, 3, Chase Venting Through an Existing System

NOTE: These drawings are meant to demonstrate system venting only. The installer is responsible for all equipment and detailing required by local codes.

3. Power Venting, Indoor Combustion Air in Confined or Unconfined Space

This heater requires fresh, uncontaminated air for safe operation and must be installed in a mechanical room where there is adequate combustion and ventilating air. **NOTE: To prevent combustion air contamination, see Table 7.**

Combustion air from the indoor space can be used if the space has adequate area or when air is provided through a duct or louver to supply sufficient combustion air based on the water heater input.

Never obstruct the supply of combustion air to the water heater. If the water heater is installed in areas where indoor air is contaminated (see Figure 27) it is imperative that the water heater be installed as direct vent so that all combustion air is taken directly from the outdoors into the water heater intake connection.

Unconfined space is space with volume greater than 50 cubic feet per 1,000 Btu/hour (4.8 cubic meters per kW) of the total input rating of all fuel-burning appliances installed in that space. Rooms connected directly to this space, through openings not furnished with doors, are

considered part of the space.

Confined space is space with volume less than 50 cubic feet per 1,000 Btu/hour (4.8 cubic meters per kW) of the total input rating of all fuel-burning appliances installed in that space. Rooms connected directly to this space, through openings not furnished with doors, are considered part of the space.

When drawing combustion air from inside a conventionally constructed building to a confined space, such space should be provided with two permanent openings: one located 6" (15 cm) below the space ceiling, the other 6" (15cm) above the space floor. Each opening should have a free area of one square inch per 1,000 Btu/hr (22cm²/kW) of the total input of all appliances in the space, but not less than 100 square inches (645cm²).

If the confined space is within a building of tight construction, air for combustion must be obtained from the outdoors as outlined in the Venting section of this manual. See Figure 28.

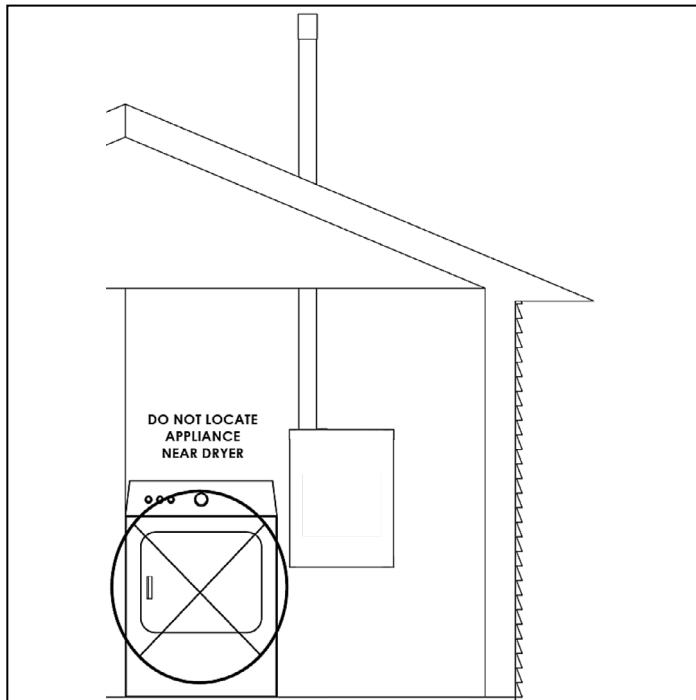
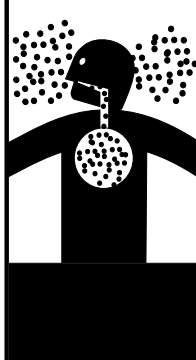


Figure 27 - Do Not Place Appliance Near Dryer

⚠ WARNING

Breathing Hazard - Carbon Monoxide Gas



- Do not operate heater if flood damaged.
- Install vent system in accordance with local codes and manufacturers installation instructions.
- Do not obstruct heater air intake or exhaust. Support all vent piping per manufacturers installation instructions.
- Do not place chemical vapor emitting products near unit.
- According to NFPA 720, carbon monoxide detectors should be installed outside each sleeping area.
- Never operate the heater unless it is vented to the outdoors.
- Analyze the entire vent system to make sure that condensate will not become trapped in a section of vent pipe and therefore reduce the open cross sectional area of the vent.

Breathing carbon monoxide can cause brain damage or death.
 Always read and understand instruction manual.

LP-304

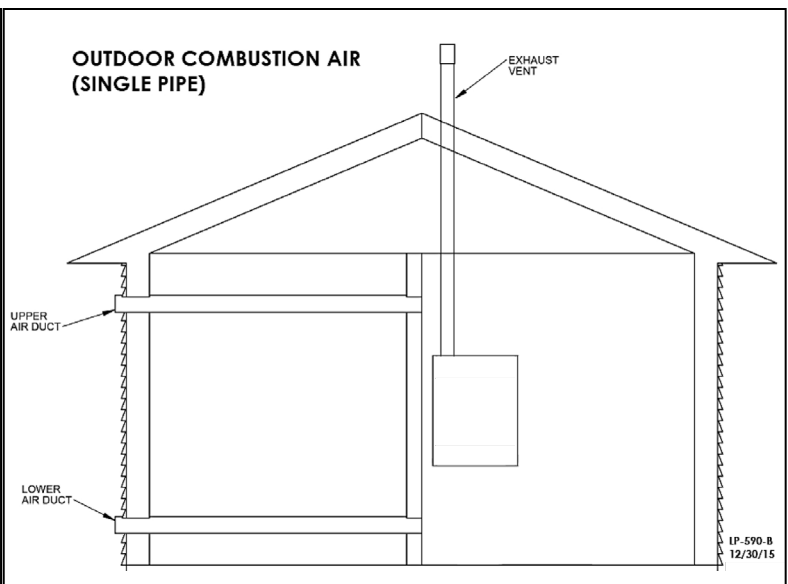
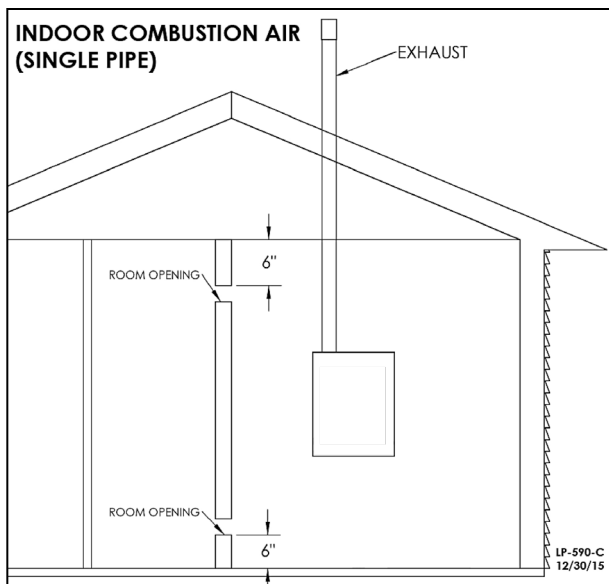



Figure 28 - Power Venting, Indoor and Outdoor Combustion Air - Single Pipe

NOTE: These drawings are meant to demonstrate system venting only. The installer is responsible for all equipment and detailing required by local codes.

I. Common Vent Piping - 199 Model Only!

 DANGER
DO NOT ATTEMPT to common vent 150 model water heaters! Doing so will result in property damage, severe personal injury, or death.
Common Vented units must be direct vented, with an exhaust vent and intake air pipe vented to the outdoors. DO NOT power vent Common Vented units! Doing so will result in property damage, severe personal injury, or death.

These units can be common vented. Connecting several units together requires proper sizing of the intake and exhaust pipes. Up to eighteen (18) units can be common vented together.

Maximum Vent Length (in Ft.) for Direct Vent (2 Pipe)							
Number of Units Common Vented	Load (BTU/Hr)	Pipe Size					
		3"	4"	6"	8"	10"	12"
1	199,000	100	100	N/A	N/A	N/A	N/A
2	398,000	50	83				
3	597,000	N/A	N/A	133	N/A	N/A	N/A
4	796,000			101			
5	995,000			75	N/A	N/A	N/A
6	1,194,000			67			
7	1,393,000			58	99	N/A	N/A
8	1,592,000			89	N/A		
9	1,791,000			79		124	
10	1,990,000			71	110	N/A	N/A
11	2,189,000			65	101		
12	2,388,000			59	92	N/A	N/A
13	2,587,000	86					
14	2,786,000	79	114	N/A	N/A		
15	2,985,000	74	107				
16	3,184,000	70	101	N/A	N/A		
17	3,383,000	65					
18	3,582,000	62	N/A				

Table 20 - Maximum Common Vent Length for Direct Vent (2 Pipe)

NOTE: Reduce the maximum equivalent length above by 5 feet per 90° elbow used and by 2 feet per 45° elbow used. DO NOT exceed the above set limits.

1. Vent Diameter Sizing and Lengths

These units are designed for 3 inch exhaust vent and intake pipes. The following chart outlines the maximum length of common venting allowable. A vent system's length is calculated by adding the length of all straight pieces used (both horizontal and vertical) and then adding the equivalent lengths of each fitting used in the system. A vent system's length must not exceed the maximum length outlined in the chart below.

2. Recommended Exhaust Pipe Transitions

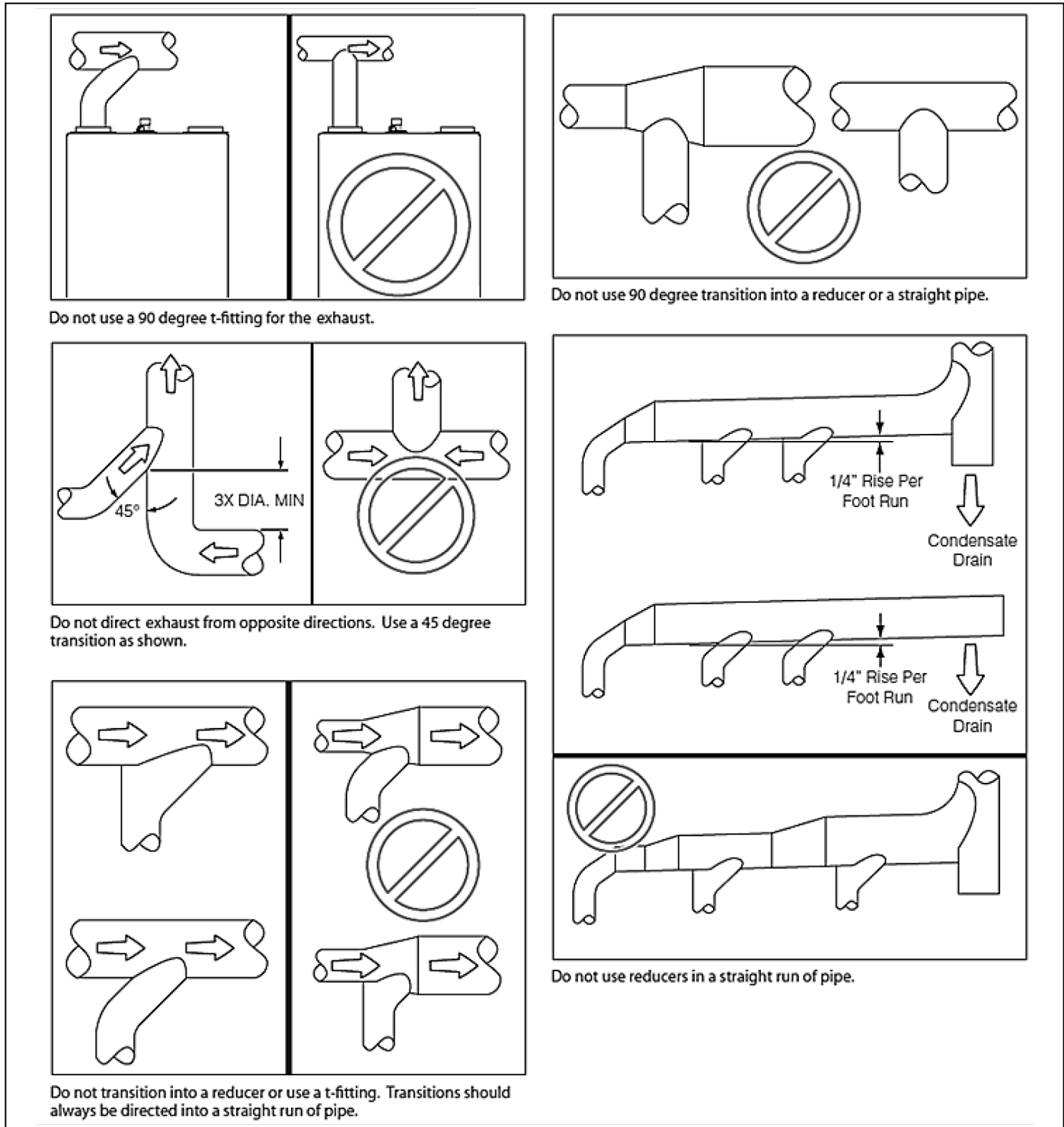


Figure 29 - Recommended Exhaust Pipe Transitions

3. Two (2) Pipe Common Direct Vent Systems

⚠ DANGER

DO NOT ATTEMPT to common vent 150 model water heaters! Doing so will result in property damage, severe personal injury, or death.

Common Vented units must be direct vented, with an exhaust vent and intake air pipe vented to the outdoors. DO NOT power vent Common Vented units! Doing so will result in property damage, severe personal injury, or death.

The unit can be direct vented without any modification using a 3 inch diameter pipe. The following diagrams represent some typical direct venting configurations and are included to assist in designing

the vent system. Possible configurations are not limited to the following diagrams. See Table 20 for trunk line sizing when common venting multiple heaters.

⚠ WARNING

For each floor containing bedroom(s), a carbon monoxide detector and alarm shall be placed in the living area outside the bedrooms, as well as in the room that houses the heater. Detectors and alarms shall comply with NFPA 720 (latest edition). Failure to comply with these requirements could result in product damage, severe personal injury, or death.

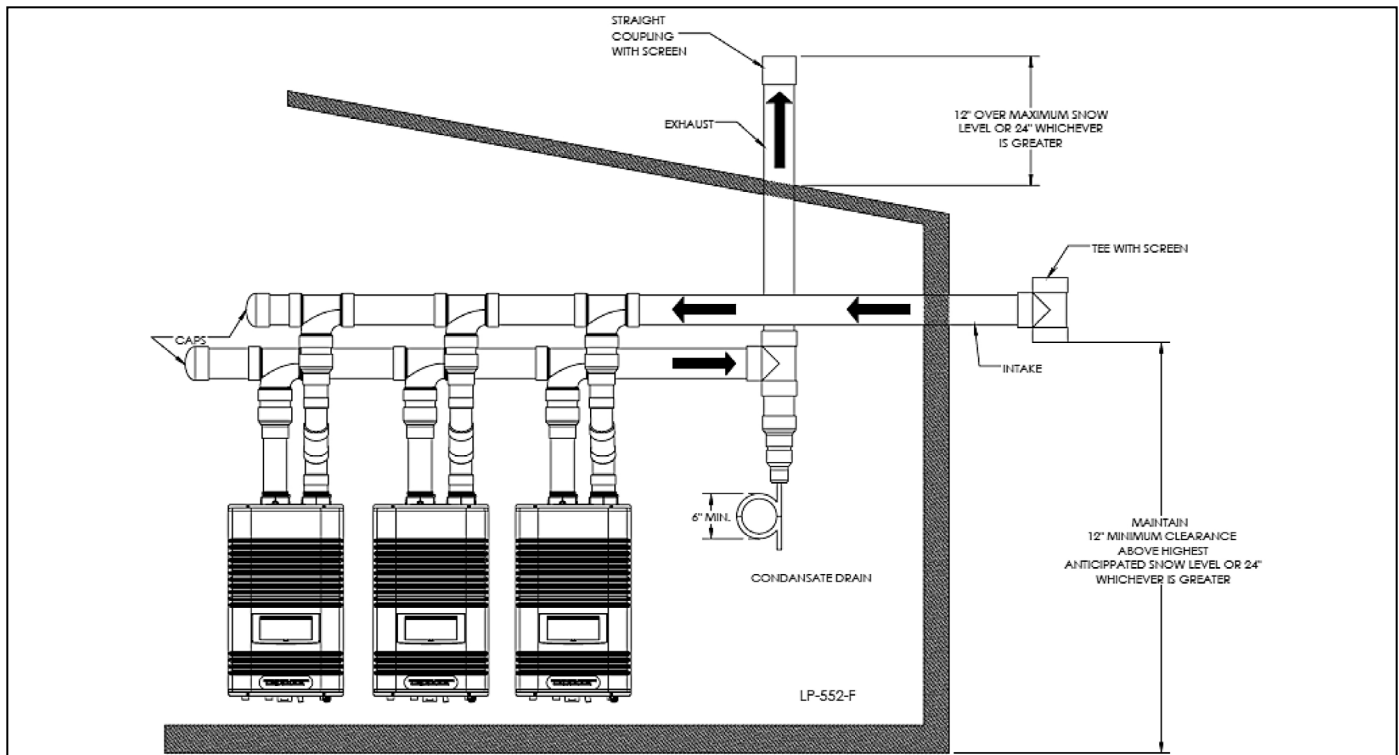


Figure 30 - Common Vented Units - Unbalanced Venting

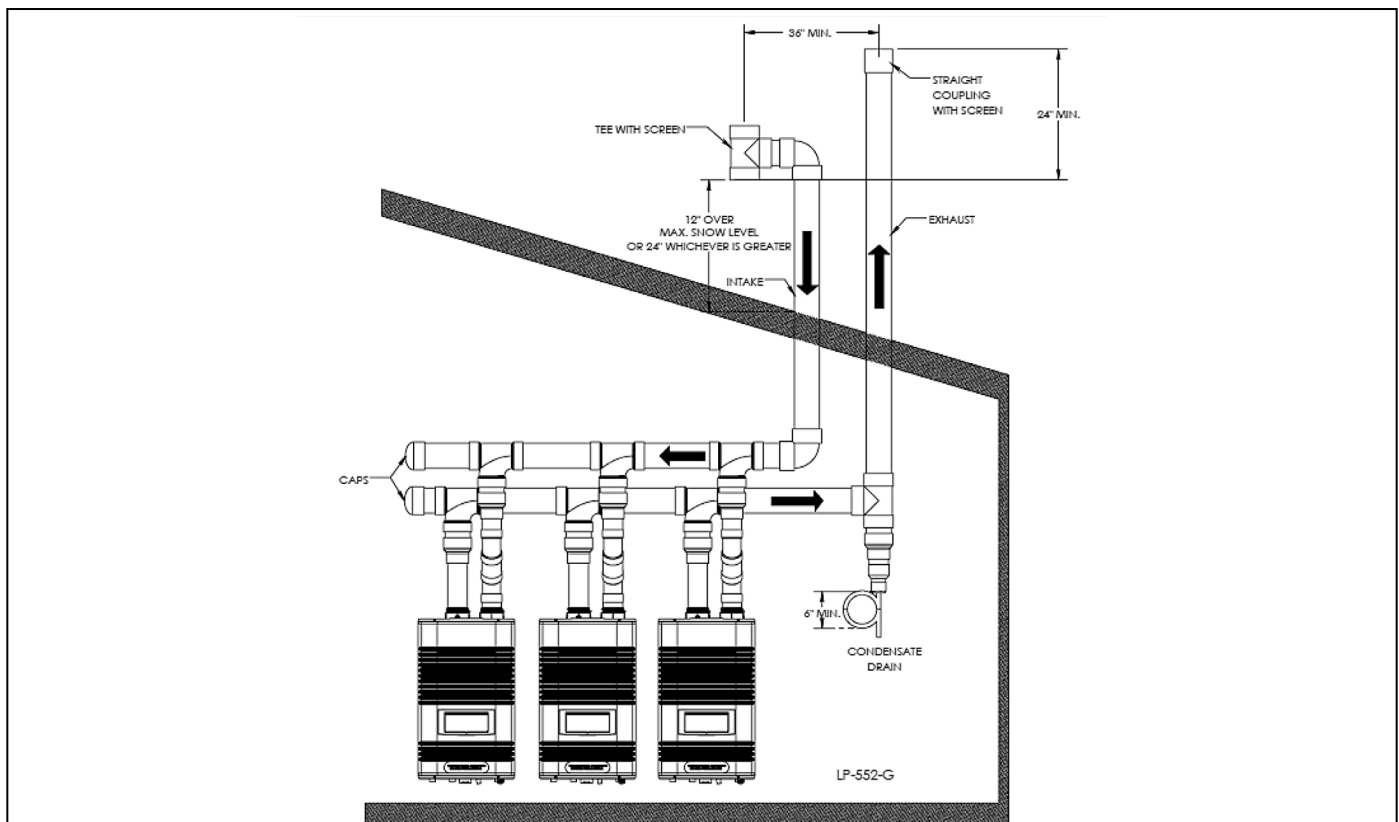


Figure 31 - Common Vented Units - Roof Venting

WARNING

All vent pipes must be glued, properly supported, and the exhaust pitched a minimum of 1/4" per foot back to the heater to allow drainage of condensate. When placing support brackets on vent piping, the first bracket must be within 1 foot of the water heater and the balance of 4 foot intervals on the vent pipe. Venting must be readily accessible for visual inspection from the first three feet from the heater.

NOTE: This drawing is meant only to demonstrate system venting. The installer is responsible for all equipment and detailing required by local codes. For sidewall applications, terminate the outlet on the exterior wall at least 12" above the ground, or as required by local building codes. In areas of high snowfall, protect both sidewall and roof vent terminations from blockage by installing at least 12" above the maximum anticipated snowfall accumulation.

Part 6 - Installing the Condensate Drain

CAUTION

This condensing high efficiency water heater has a condensate removal system. Condensate is water vapor derived from combustion products, similar to that produced by an automobile when it is initially started. It is very important that the condensate line is sloped down away from the heater and to a suitable drain. The condensate line must remain unobstructed. If allowed to freeze in the line or obstructed in any other manner, condensate can exit from the water heater tee, resulting in potential water damage to property.

When installing a condensate pump, select one approved for use with condensing heaters and furnaces. The condensate pump should have an overflow switch to prevent property damage from spillage.

Condensate from the heater will be slightly acidic (pH from 3.2 to 4.5). Check with your local gas company to determine if combustion condensate disposal is permitted in your area. Install a neutralizing filter if required by local codes.

NOTES:

1. Due to its efficient design, the water heater produces condensate (water) as a normal by-product. This condensate is acidic, with a pH level between 3 and 4. This condensate must be drained away from the water heater and disposed in accordance with all local regulations.
2. Condensate line must be pitched at least $\frac{1}{4}$ " per foot to properly drain. If this cannot be done, or a very long length of condensate hose is used, increase the condensate line to a minimum of 1" ID and place a tee in the line after the condensate neutralizer to properly reduce vacuum lock in the drain line.
3. Use corrosion-resistant materials to drain condensate. Use the included flexible plastic hose or $\frac{1}{2}$ " PVC and CPVC drain pipe complying with ASTM D1785, F441, or D2665 may be used. Cement must comply with ASTM D2564 for PVC pipe or F493 for CPVC pipe. For Canadian applications, use CSA or ULC certified PVC or CPVC pipe, fittings, and cement.
4. A frozen condensate line could result in a blocked vent condition. It is very important to protect the condensate line from freezing temperatures or any type of blockage. In installations that may encounter sustained freezing conditions, the use of heat tape is recommended to avoid freezing of the condensate line. It is also recommended to bush up the condensate line size to 1" and terminate condensate discharge as close to the unit as possible. Longer condensate runs are more prone to freezing. Damages due to frozen or blocked condensate lines ARE NOT covered by warranty.

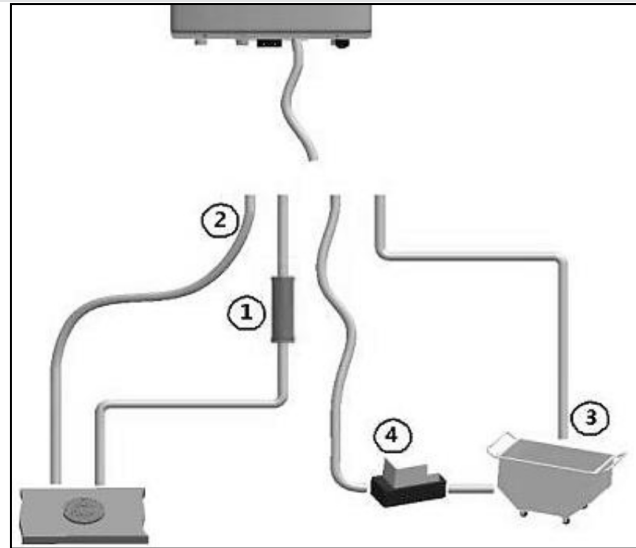


Figure 32 - Condensate Piping

5. Support of the condensate line may be necessary to avoid blockage of the condensate flow.
6. Local building codes may require an in-line neutralizer (1) to be installed (not included) to treat the condensate. If required by local authorities, a condensate filter of lime crystals, marble, or phosphate chips will neutralize slightly acidic condensate (p/n 7450P-212 available from Westinghouse). Follow all the installation instructions included with the neutralizer. If a neutralizer is installed, periodic replacement of the limestone (or neutralizing agent) will be required. The rate of depletion of the limestone varies with usage of the water heater. During the first year of water heater operation, check the neutralizer every few months for depletion.
7. Route the drain line to a nearby floor drain (2), laundry tub (3), or condensate pump (4). If the heater condensate outlet is lower than the drain, you must use a condensate removal pump (kit p/n 554200 available from Westinghouse).
- NOTE:** If a nearby laundry tub is used as a disposal for waste water from the washing machine, draining the condensate into this tub allows the soapy water discharge to neutralize the acidic condensate.
8. An error will appear on the water heater display if condensate line is blocked. The water heater will not operate with a blocked condensate line. It is extremely important to have this condition repaired by a qualified installer / service technician.

Part 7 - Connecting Electrical Service

WARNING

Install wiring and electrically ground water heater in accordance with the authority having jurisdiction or, in the absence of such an authority, follow the National Electrical Code, NFPA 70, and/or CSA C22.1 Electrical Code-Part 1 in Canada. Failure to follow all applicable local, state, and national regulations, mandates, and building supply codes for guidelines to install the electrical power supply could result in property damage, serious personal injury, or death.

ELECTRICAL SHOCK HAZARD – To ensure safety, turn off electrical power supply at service entrance panel before making any electrical connections to avoid possible electric shock hazard. Failure to do so could result in property damage, serious personal injury, or death.

Jumping out control circuits or components WILL VOID product warranty and can result in property damage, personal injury, or death.

It is of extreme importance that this unit be properly grounded. It is very important that the building system ground is inspected by a qualified electrician prior to making this connection. Electrical power must only be turned on when the heater is completely filled with cold water. Failure to follow these instructions could result in component or product failure, serious injury, or death.

CAUTION

Label all wires prior to disconnecting them when servicing the heater. Wiring errors can cause improper and dangerous operation. Failure to follow these instructions may result in property damage or personal injury.

A. Wiring

The heater is equipped with a three prong power cord. The heater is limited to a maximum of 8 amps at 120 volts in use.

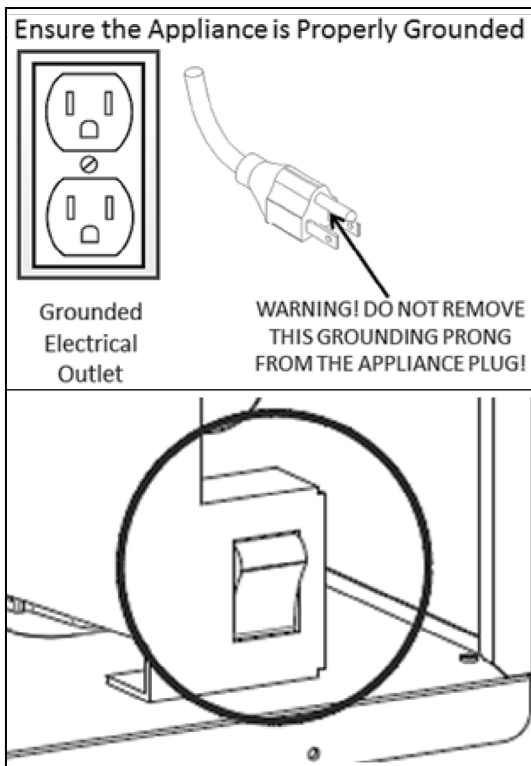


Figure 33 - Proper Grounding - Internal Manual Power Switch

1. This water heater must be properly grounded. Ensure the electrical receptacle is properly grounded. Do not remove the grounding prong from the water heater plug.
2. Do not attach the ground wire to either the gas or water piping.

3. The wiring diagrams in this manual are to be used for reference purposes only.

4. Refer to these diagrams and the wiring diagrams of any external controls used with the installation when wiring the water heater. Read, understand, and follow all wiring instructions supplied with the controls.

5. Do not disconnect the power supply when the water heater is in normal operation.

NOTE: For additional electrical protection, the use of a whole house surge protector is recommended. Damage caused by power surges IS NOT covered by the warranty.

NOTICE

If the water heater display does not turn on, first check the plug. Then check the electrical panel circuit breaker and reset if necessary. If the circuit breaker trips again, do not reset. Disconnect the plug and have a qualified technician diagnose the problem.

B. Dip Switches

There is one DIP switch. DIP switches 6 and 7 need to be set to OFF for the water heater to operate normally.

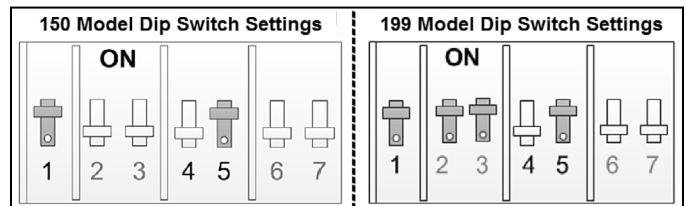


Figure 34 - DIP Switch Detail

DIP SWITCH		OFF	ON
1-3	Factory	Factory Settings - DO NOT CHANGE	
4	Flow Control Valve	On	Off
5	Gas Type	LP	NG
6	High Fire	Normal	High Fire
7	Low Fire	Normal	Low Fire

Table 21 - DIP Switch Group - NOTE: DO NOT CHANGE SWITCHES 1-3. THESE ARE FACTORY SETTINGS.

Maximum Flame Detecting Voltage	2.5V
Pre-Purge Time (Tp)	Maximum 10 seconds, minimum 1 second
Safety Time (Igniting Time) (Ts)	3.5 seconds
Igniting Interval Time	<10 seconds
Post-Purge Time (Tip)	2 minutes
Over-Heating 1, 2, 3, Protection Detection Time	<1 second
Temperature Sensor Fault Detection Time	<2 seconds
# of Ignition Attempts (Ntl)	10
DHW Setpoint Temperature Range	95 - 140°F (35 - 60°C)
DHW Off Temperature	DHW Target Temperature + DHW Differential Temperature 18°F (10°C)
DHW On Temperature	Below DHW Target Temperature 9°F (5°C)
DHW Water On Minimum Water Flow	.5 gallons (2 liters) (12Hz)
DHW Water Off Minimum Water Flow	.4 gallons (1.5 liters) (8Hz)

Table 22 - System Control Settings

C. Wiring a Cascaded System

When wiring the water heater for Cascade operation, select one as the Master water heater. The remaining water heaters will be designated Followers. See "Setting Up a Cascade System" for more details.

1. Connect the five pin connectors of the cascade communication cables to the control board of every unit. See Figures 35 and 36.
2. Connect the two pin male connector from the cascade communication cable of the first unit in the system to the open two pin female harness on the next unit in the system. Continue this for each unit in the system.

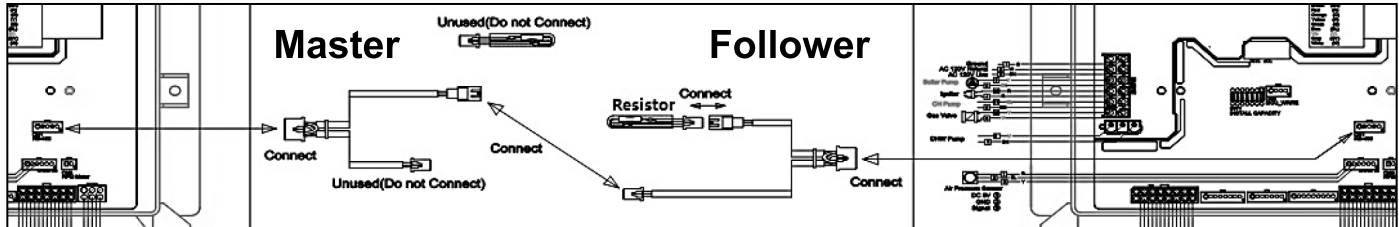


Figure 35 - Cascade Wiring Example

NOTE: The maximum distance between units is two and a half feet. See Figure 38. This maximum distance can be increased by connecting additional wire harnesses together. However, the number of units that can be cascaded will be reduced by one for every additional harness used.

3. Add a resistor to the cascade communication cable of the last unit. See Figure 37.

NOTE: Every cable comes with one resistor. Use only one resistor on the cascaded system. Discard the rest.

NOTE: After the cascaded system is set, if you manually turn off the Cascade Master at the display the entire system will shut down.

NOTE: After the cascaded system is set, DO NOT turn off a Cascade Follower at the display until you disconnect the cascade cable.

CAUTION

When installing a cascaded system, it is important that the water heaters are the same model.

Failure to follow these instructions will result in improper system operation, wasted time, money, and possible property damage and personal injury. Such damages ARE NOT covered by product warranty.



Figure 36 - Cable Wired to Board

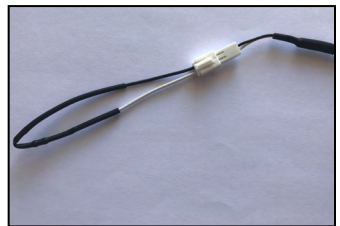


Figure 37 - Installed Resistor

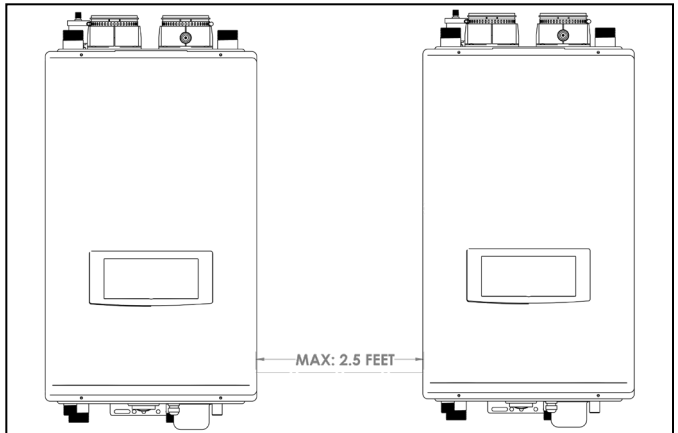


Figure 38 - Maximum Distance Between Wired Cascaded Units

CAUTION

A maximum of eighteen (18) 199 models may be installed in a cascaded system. A maximum of four (4) 150 models may be installed in a cascaded system. Installing more than the maximum amount of water heaters in a cascaded system will result in system problems, property damage, and premature water heater failure. Such problems ARE NOT covered by product warranty.

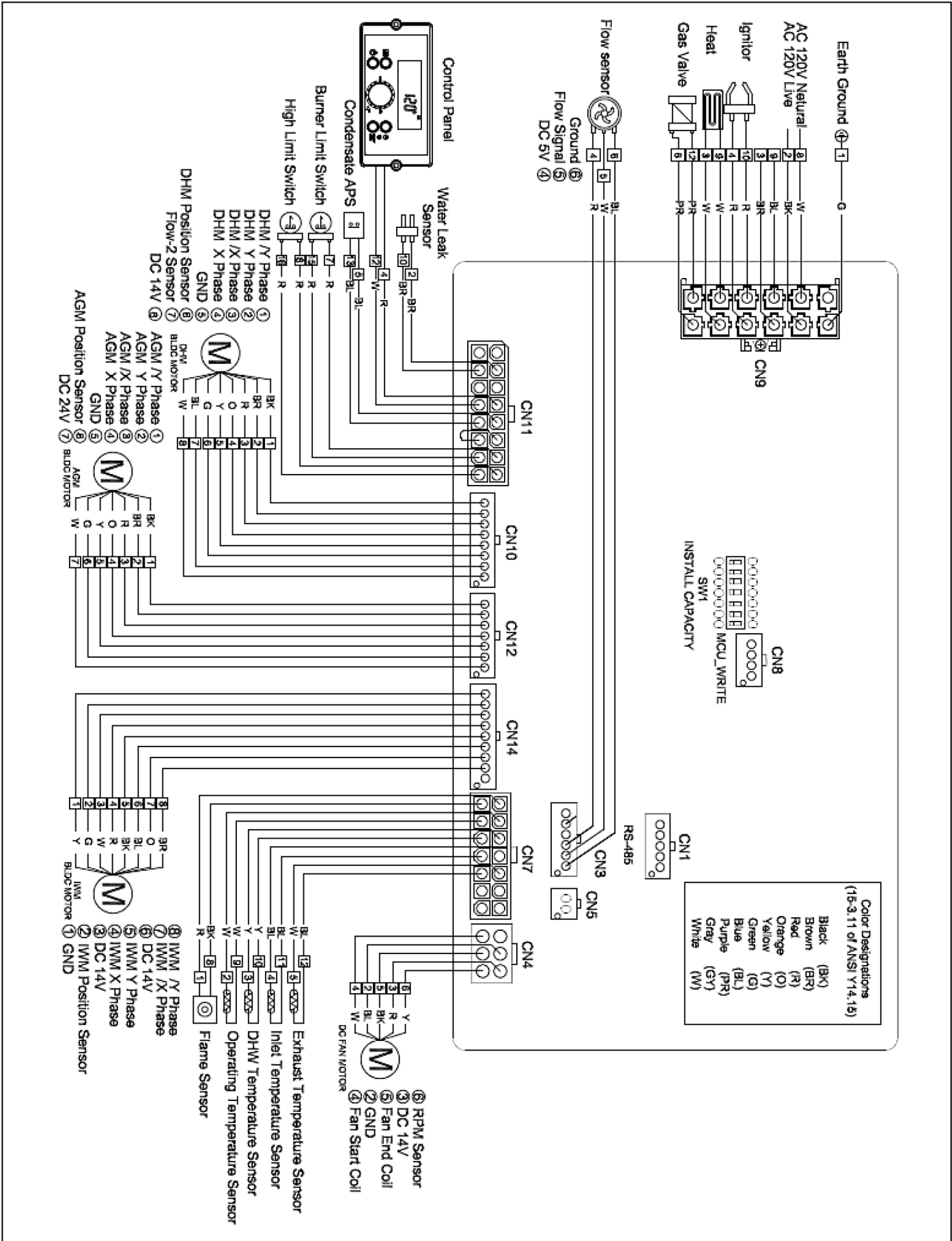


Figure 39 - 150 Model Electrical Wiring Diagram

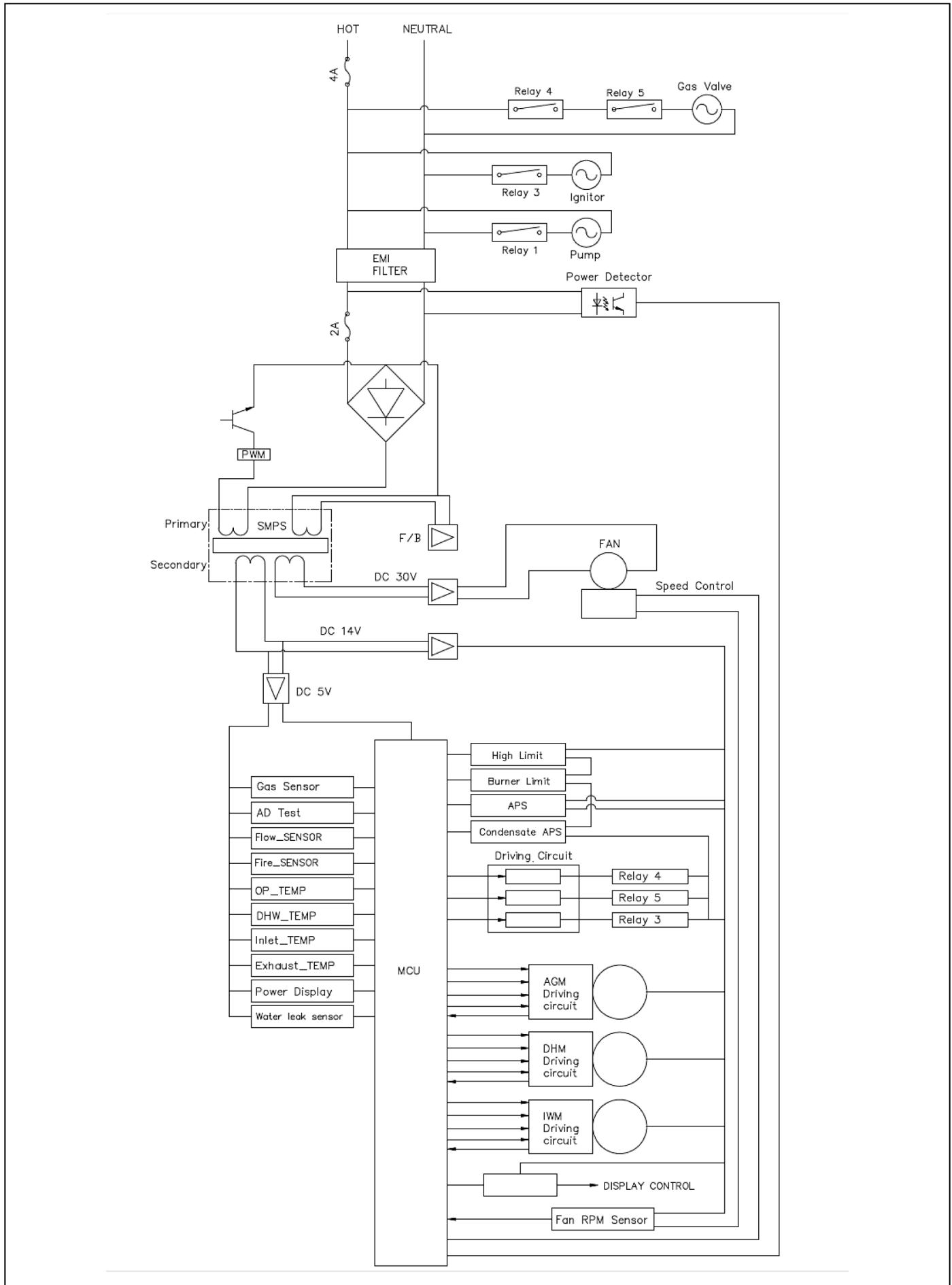


Figure 40 - 150 Model Ladder Diagram

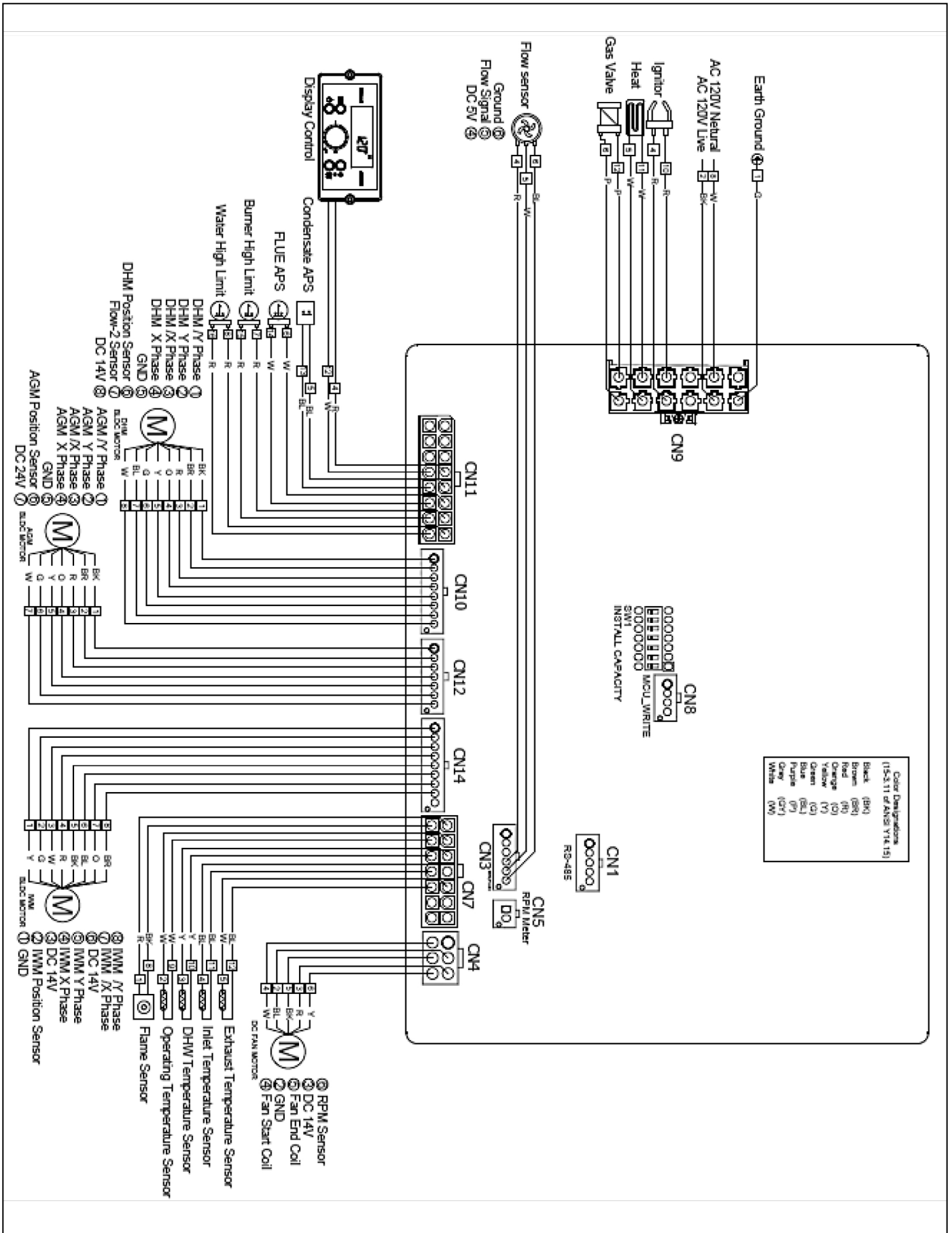


Figure 41 - 199 Model Electrical Wiring Diagram

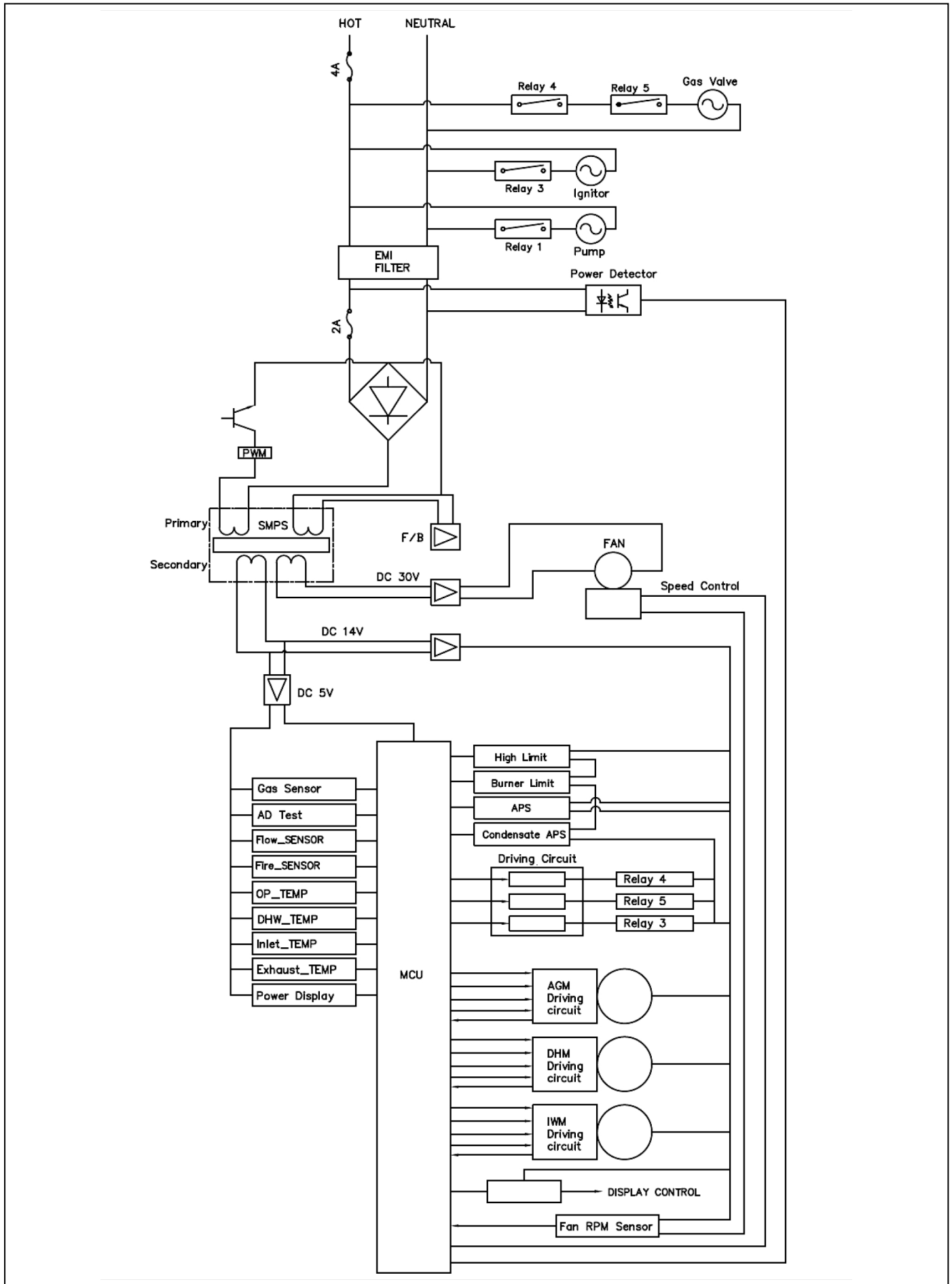


Figure 42 - 199 Model Ladder Diagram



Connector			Description	HT Selv
No. of Location	Pin	Board Silk		
CN9 65001WS-12	1	-	UNUSED	HT (120V~)
	2	L	Power Supply Line	
	3	CP1	UNUSED	
	4	IT	Ignitor Power Supply	
	5	L/HT	Ceramic Heater (Freeze Protection)	
	6	GV	Gas Valve Power Supply	
	7		GROUND	
	8	N	Power Supply (Neutral)	
	9-12		AC Power COM Line	
CN1 SMW250-03	1	RS-485	RS-485 +	SELV (5V)
	2		GND	
	3		RS-485 -	
CN4 LWD1140-06	1	FAN	UNUSED	-
	2		GND	SELV (30V)
	3		VDD	SELV (14V)
	4		Fan power (start coil)	SELV (30V)
	5		Fan power (end coil)	
	6		Fan speed feedback signal	SELV (14V)
CN8 LWD250-04	1	MCU ISP	GND	SELV (5V) DC
	2		ISP / Reset Port	
	3		ISP TOOL0 Data Port	
	4		VCC	
CN11	1	HWL	UNUSED	-
	8			
	2	LWL	Water Leak Sensor (150 Model Only)	
	10			
	3	HD	UNUSED	
	11			
	4	TH	Connect to the Display Control (Thermostat)	
	12			
	5	Condensate APS	Condensate Air Pressure Switch	
	13			
	6	Flue APS	Flue Air Pressure Switch	
	14			
	7	BL	Burner High Limit	
	15			
	8	HL	Water Temperature High Limit	
	16			

Table 23 - Water Heater Wiring 1

Connector			Description	HT SELV
No. of Location	Pin	Board Silk		
CN7 LWD1140-14	1	F.S	Flame Sensor	SELV (5V)
	8			
	2	O.P.S	Outlet Operating Water Temperature Sensor	
	9			
	3	D.H.S	DHW Temperature Sensor	
	10			
	4	I.S	Inlet Water Temperature Sensor	
	11			
	5	B.G.S	Exhaust Temperature Sensor	
	12			
	6	S.T.S	UNUSED	
	13			
	7	S.P.S	UNUSED	
	14			
CN12 SMW250-07	1	AGM	AGM Stepper Motor Coil / Y Phase	SELV (24V)
	2		AGM Stepper Motor Coil / X Phase	
	3			
	4		GND	
	5		AGM Stepper Motor Position	SELV (14V)
	6		VDD	SELV (24V)
	7			
CN10 SMW250-08	1	DHM (Mixing Valve)	DHM Stepper Motor Coil / Y Phase	SELV (14V)
	2		DHM Stepper Motor Coil / X Phase	
	3			
	4		GND	
	5		DHM Stepper Motor Position	
	6		UNUSED	
	7		VDD	
	8			
CN14 SMW250-09	1	IWM (Flow Control Valve)	GND	SELV (14V)
	2		IWM Stepper Motor Position	
	3		VDD	
	4		IWM Stepper Motor Coil X Phase	
	5		IWM Stepper Motor Coil Y Phase	
	6		VDD	
	7		IWM Stepper Motor Coil X Phase	
	8		IWM Power IWM Stepper Motor Coil Y Phase	
	9		UNUSED	
CN3 SMW250-06	1	WPS	UNUSED	-
	2			
	3			
	4	FLUX1	VCC	
	5		Water Flow Sensor	
	6		GND	
CN5 SMW250-10	1	RPM	Fan RPM Check	SELV (5V)
	2		GND	

Table 24 - Water Heater Wiring 2

Part 8 - Gas Connections

WARNING

FIRE AND/OR EXPLOSION HAZARD

To avoid serious injury or death, the gas line installation and the gas line inlet pressure test must be done by a licensed professional.

Ensure the gas on which the water heater will operate is the same type specified on the rating plate (natural gas or LP gas). This water heater must be converted into propane operation unless specifically manufactured for use with propane. Follow Gas Conversion Manual instructions (separate document). Propane ready water heaters have the suffix "LP" after the model serial number. Failure to follow these instructions could result in property damage, personal injury, or death.

Make sure the gas line pressures are within normal limits. Pressures outside normal limits can result in poor performance and hazardous operating conditions. Failure to do so could result in property damage, personal injury, or death.

A. Gas Pipe Sizing Tables

1. Gas Pipe Sizing

This information is for reference use only. Refer to gas pipe manufacturer specifications for actual delivery capacity. The DOE standard for Natural Gas is 1100 BTU/ft³. Contact the local gas supplier for actual BTU/ft³ rating.

2. Natural Gas Pipe Sizing

The following table lists maximum capacity of pipe in cubic feet of gas per hour for gas pressures of 14" or less and a pressure drop of 0.5 inches water column, based on a 0.60 specific gravity for natural gas.

Pipe Size (in.)	Length of Pipe (Feet)										BTU's Per Hour x 1,000
	10	20	30	40	50	60	80	100	150	200	
3/4	360	247	199	170	151	137	117	104	83	71	Schedule 40 Metallic Pipe (0.60 Specific Gravity, 0.5 WC Pressure Drop)
1	678	466	374	320	284	257	220	195	157	134	
1 1/4	1390	957	768	657	583	528	452	400	322	275	
1 1/2	2090	1430	1150	985	873	791	677	600	482	412	
2	4020	2760	2220	1900	1680	1520	1300	1160	928	794	
3	11300	7780	6250	5350	4740	4290	3670	3260	2610	2240	
4	23100	15900	12700	10900	9660	8760	7490	6640	5330	4560	

Table 25 - Natural Gas Delivery Capacity - Refer to ANSI Z223.1 - National Fuel Gas Code, Latest Edition

3. LP (Liquid Propane) Gas Pipe Sizing

Contact gas supplier to size pipes, tanks, and 100% lockup gas pressure regulator. Adjust propane supply regulator provided by the gas supplier for 14 inches w.c. maximum pressure.

B. Gas Connection Requirements

1. The gas connection fitting on the water heater is 3/4" NPT. **NOTE:** The pipe size must not be less than 3/4".
2. The supply line must be sized for the maximum output of the water heater being installed. If there are additional gas appliances from the main supply line, measure the size of the supply line according to the COMBINED total maximum BTUH draw for the appliances as if they were operating at the same time.
3. Measure the length of the gas supply line from the gas meter to the water heater. Water heater must be installed downstream of the gas meter to ensure adequate gas supply. Use the tables in this manual or refer to the gas line manufacturer's sizing information to determine the correct supply pipe size.
4. The National Fuel Gas Code (NFPA 54) requires that a sediment trap (drip leg) be installed in the gas line on appliances not so equipped. The drip leg must be accessible, a minimum of 3" in length, and not subject to freezing conditions. See Figure 43.
5. A manual gas shut-off valve should be installed in the gas supply line close to the water heater. See Figure 43 for detail.
6. To facilitate any future maintenance, it is also recommended that an approved gas union fitting be installed in the supply line between the shut-off valve and the 3/4" NPT connection on the water heater.
7. Use a manometer to test the gas pressure to make sure it meets the minimum standards and does not exceed the maximum standards of the water heater.
8. Leak test the gas line pipe before placing the water heater in operation. Only use approved leak detector liquid solutions to check for leaks.
9. Do not operate the water heater until all connections have been completed and the heat exchanger is filled with water.

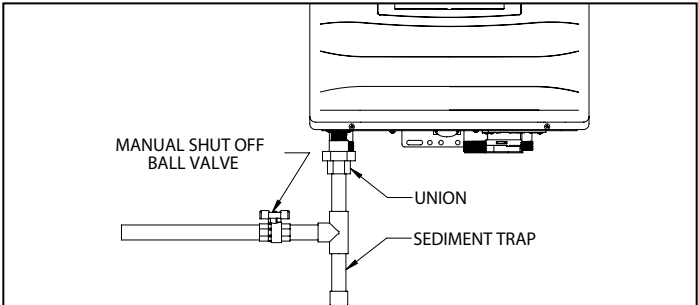


Figure 43 - Gas Line with Shut-Off and Sediment Trap Detail

C. Additional Precaution for Excess Flow Valve (EFV)

If an excess flow valve (EFV) is in the gas line, check the manufacturer's minimum and maximum flow capacity ratings. An improperly sized EFV will not allow for a full flow of gas to the water heater and will cause the water heater to malfunction. See Figure 44.

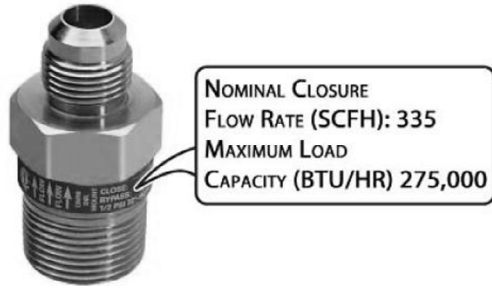


Figure 44 - Excess Flow Valve (EFV)

D. Checking Gas Pressure at the Water Heater for Proper Operation

NOTE: Refer to Figures 45 and 46 when checking gas pressure. Loosen the bolts before checking the gas inlet pressure.

1. The water heater and its individual shutoff valve must be disconnected from the gas supply piping system during any pressure testing of the system at test pressures greater than 1/2 psi (3.5 kPa).
 2. The water heater must be isolated from the gas supply piping system by closing its individual manual shutoff valve during any pressure testing of the gas supply piping system at test pressures equal to or less than 1/2 psi (3.5 kPa).
- The minimum and maximum inlet gas line pressures must meet the requirements shown in Table 26.

Natural or LP Gas	
Minimum Pressure	3.5" WC
Maximum Pressure	14" WC

Table 26 - Gas Pressure Requirements

NOTICE
Do not fire (operate) the water heater until all connections have been completed and the heat exchanger is filled with water. Doing so will damage the water heater and void the warranty.

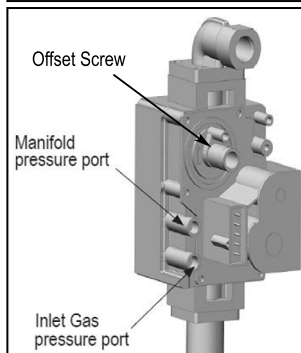


Figure 45 - 150 Model - Gas Valve Detail

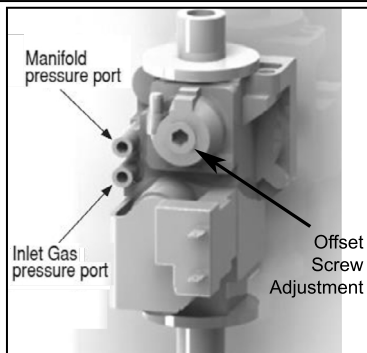


Figure 46 - 199 Model - Gas Valve Detail

E. Setting and Verifying the Combustion Setting

1. After the water heater has fired, flip DIP switch seven (7) to the ON position (low fire). Proceed to check heater combustion values.

NOTE: Use a calibrated combustion analyzer to ensure CO and CO2 values are within the range shown in Table 27.

If the readings obtained are lower or higher than the combustion readings in Table 27, use a 4mm Allen key to adjust the offset screw in a clockwise (positive) or counterclockwise (negative) direction (approximately 1/4 turn). See Figures 45 and 46. Check your

combustion values. Repeat this procedure until the values obtained on the calibrated combustion analyzer agree with those stated in Table 27.

WARNING
It is required to use a calibrated combustion analyzer to verify final adjustment according to the combustion chart (Table 27). Failure to do so could result in serious personal injury or death.

NOTE: If the heater makes a whistling sound (harmonics) at low fire, adjust the offset screw in a clockwise (positive) direction (approximately 1/8 turn). Check your combustion values and ensure they agree with those stated in Table 27 before proceeding.

2. When low fire settings have been obtained, flip DIP switch seven (7) to its original (OFF) position. This will return the heater to normal operation.
 3. Flip DIP switch six (6) to ON (high fire). Again check combustion readings with a calibrated combustion analyzer.
- NOTE:** DO NOT adjust the gas valve offset screw at high fire. The offset screw is only used to adjust combustion values at low fire.
4. When complete, flip DIP switch six (6) to its original (OFF) position. This will return the heater to normal operation.
 5. Allow heater to operate normally. Ensure it is operating properly.
 6. Reinstall the heater front cover.
 7. Use a Phillips Head screwdriver to reinstall the heater top cover.

WARNING
It is very important that the combustion system be set within the recommended CO measurements listed in Table 27. Visually looking at the burner does not determine combustion quality. Failure to measure combustion with a calibrated Combustion Analyzer and set the throttle within the recommended CO measurements could result in property damage, severe personal injury, or death.

	Natural Gas		LP Gas	
Fan Speed	Low	High	Low	High
CO PPM	≤60	≤200	≤60	≤200
CO ₂ (%)	8 - 10	8 1/2 - 10 1/2	9 - 10 1/2	9 1/2 - 10 1/2

Table 27 - Combustion Settings

WARNING
Breathing Hazard - Carbon Monoxide Gas

- Do not operate heater if flood damaged.
- Install vent system in accordance with local codes and manufacturers installation instructions.
- Do not obstruct heater air intake or exhaust. Support all vent piping per manufacturers installation instructions.
- Do not place chemical vapor emitting products near unit.
- According to NFPA 720, carbon monoxide detectors should be installed outside each sleeping area.
- Never operate the heater unless it is vented to the outdoors.
- Analyze the entire vent system to make sure that condensate will not become trapped in a section of vent pipe and therefore reduce the open cross sectional area of the vent.

Breathing carbon monoxide can cause brain damage or death. Always read and understand instruction manual.

LP-304

Part 9 - Controls

A. Control and Display Overviews

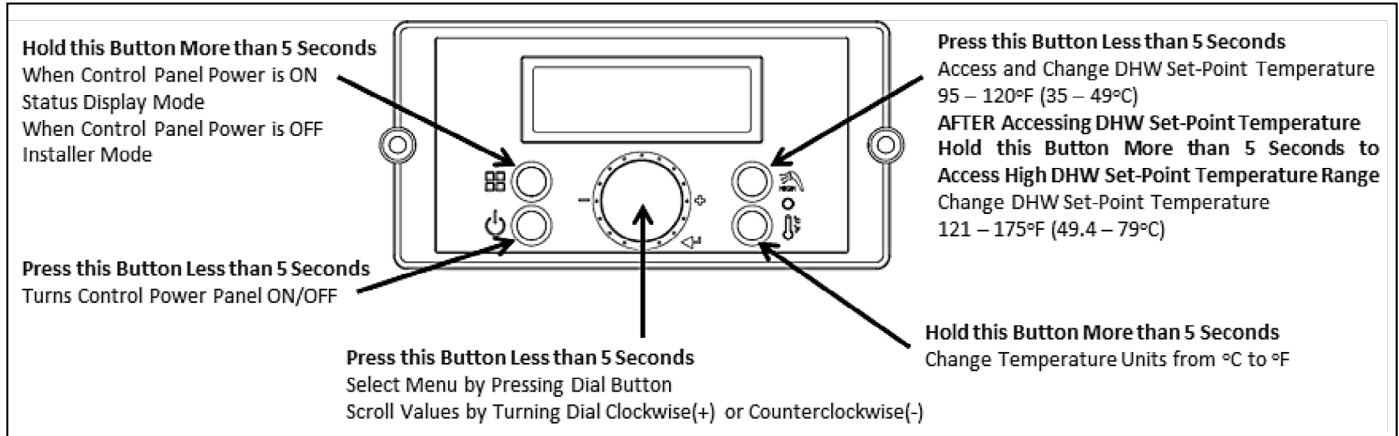


Figure 47 - Control Panel Detail

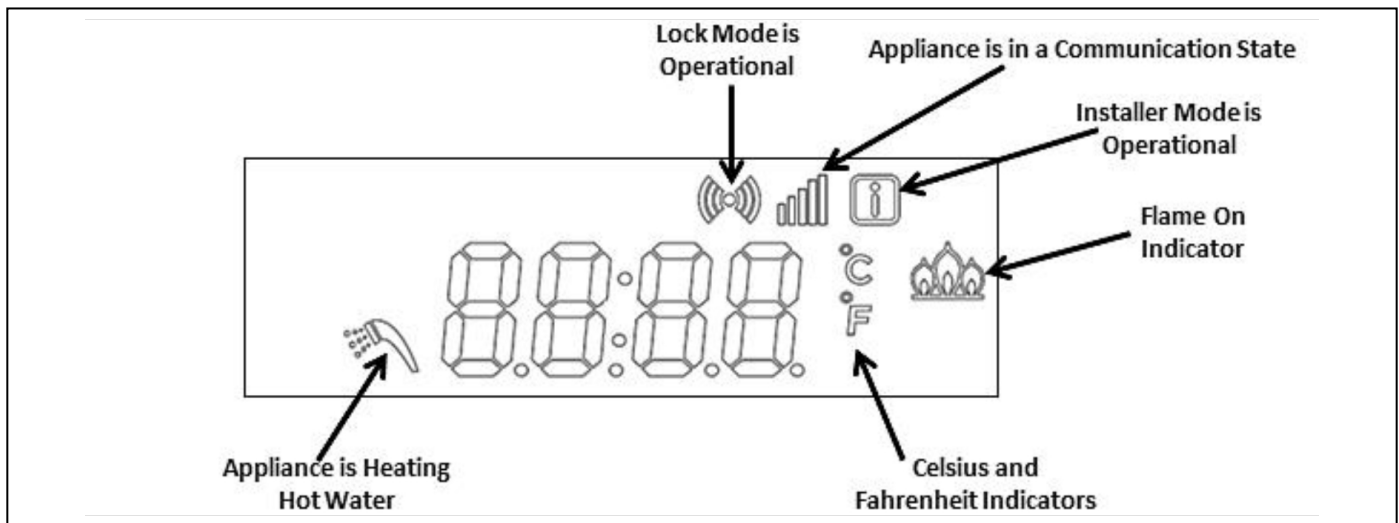


Figure 48 - LCD Display

LCD also features a backlit lamp that will illuminate:

- When a user action is detected (a button is pressed)
- The display has timed out for approximately 2 minutes

B. Start-Up Sequence

After the appliance is powered ON, the LCD display shows a sequence of information. The icons will flash, followed by various indicators that describe the appliance controller and software versions. It will take the appliance roughly 15 seconds to cycle through the Start-Up Sequence.

Display Items	Time for Display	Remarks
LCD Test	1 sec	All segments "ON"
	0.5 sec	All segments "OFF"
Category Tankless Water Heater	1 sec	Pdn
	1 sec	0061
Software Version for Front Panel	1 sec	SPn
	1 sec	00.xx
Software Version for Water Heater	1 sec	SFn
	1 sec	xx.xx
Hardware Version for Water Heater	1 sec	Hdn
	1 sec	00xx

Table 28 - Start-Up Sequence

After start-up, the display appears as follows.

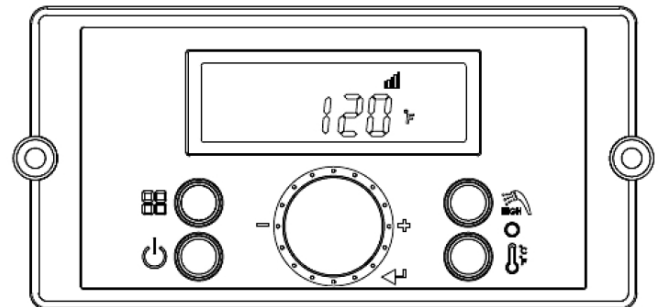



Figure 49 - Initial Display Screen


The Control System can operate through user and service modes that have specific LCD outputs and dedicated controls, including:

- Changing the DHW Set-Point Temperature
- Status Display
- Installer Mode
- Error Mode
- High Elevation Mode
- Cascade Mode
- High Temperature Mode

NOTE: The Control System will not allow changes if Lock Mode is activated. Press and hold the  button is pressed for five seconds to unlock the control.

C. Changing the DHW Set-Point

NOTE: The setpoint cannot be changed if water is flowing through the unit. Ensure there is no demand on the water heater when changing the setpoint.

The display shows the  icon when the DHW set-point can be changed.

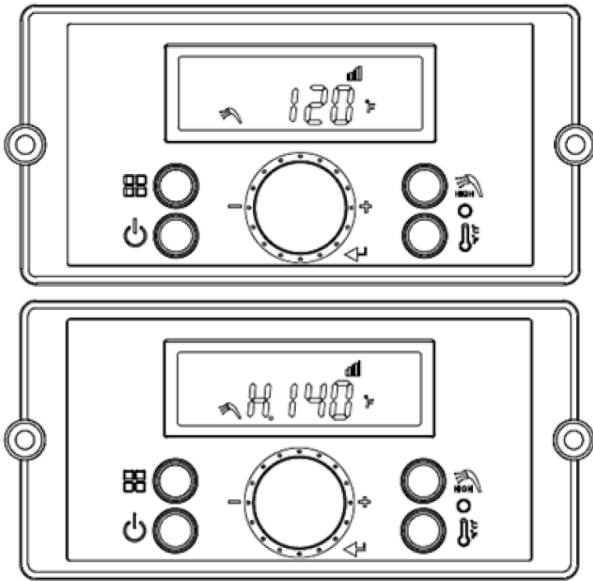









Figure 50 - DHW Set-Point Screens

Press the  button when the display panel is powered ON to change the DHW Set-Point. The DHW icon and current set-point will display and flash. This indicates that the DHW Set-Point can be changed. Factory DHW Set-Point is 125°F (51°C). Initial DHW Set-Point range is 95 – 120°F (35 – 49°C).

Turn the dial  counterclockwise to lower and clockwise to raise the DHW set-point. After changing the temperature, press the  button to save the set-point.


To change the DHW Set-Point above 121°F (49.5°C) press, then press and hold the  button when the display panel is powered ON. The DHW icon and current set-point will display and flash. Then press and hold the  button for five seconds. The scald warning symbol “H” (high temperature) will display. High temperature DHW Set-Point range is 121 – 140°F (49.5 – 60°C).

Turn the dial  counterclockwise to lower and clockwise to raise the DHW set-point. After changing the temperature, press the  button to save the set-point.


DANGER

Hotter water increases the risk of scald injury. Scalding may occur within 5 seconds at a setting of 140°F (60°C). Water temperature over 125°F can instantly cause severe burns, or death, from scalds. Children, disabled, and elderly are at the highest risk of being scalded. See instruction manual before setting temperature at appliance. Feel water before bathing or showering!

D. Changing the Temperature Indicator

To change the temperature indicator from Fahrenheit to Celsius, press and hold the  button for more than five (5) seconds when the display panel is powered ON. This will toggle the temperature unit indicated on the display.

E. Status Display

Status Display will activate when button  is pressed and held for five seconds at Standby Mode.

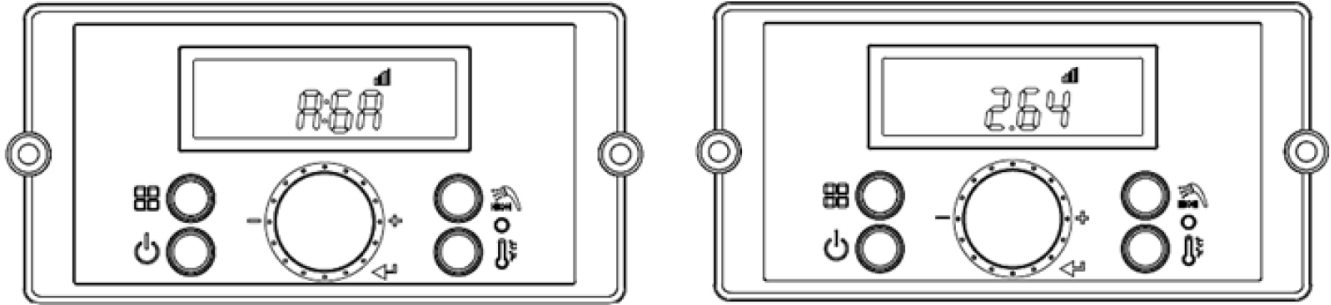



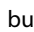



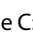

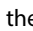
Figure 51 - Status Display Screens


Display (Main Menu)	Display (Sub Menu)	Detail		Description	
A:GA or A:LI		Flow Unit		Current Flow Unit (LI: Liters/min, GA: Gallons/min)	
b:Fr		Fan Speed (RPM)		Current Fan Speed (RPM)	
C:Lc		Lock Mode		Lock Mode is In Use (On) or Unused (Off) Allows user to lock out any temperature change	
d:oP		Heat exchanger operating temperature		Current heat exchanger operating temperature	
E:dH		DHW outlet water temperature		Current DHW outlet temperature	
F:Eh		Exhaust temperature		Current exhaust temperature	
h:In		Inlet water temperature		Current inlet water temperature	
L:rt	1:PH	Burner Operation Time	Power supply	L:rt on display on sub menu	Time water heater has been powered in 100 hour units
	2:rh		Burner operating time		Time burner has operated in 1 hour units
	3:rH		Burner operating time		Time burner has operated in 1000 hour units
	4:It		Ignition attempts		Number of ignition attempts: 10 times the displayed unit
	5:IH		Ignition attempts		Number of ignition attempts: 10,000 times the displayed unit
J:AG		AGM Value Correction		AGM Value Correction Range: -50 to 50 Default: 00	

Table 29 - Status Display Screen Descriptions

Turn the dial  counterclockwise and clockwise to scroll through the displayed parameters. To view parameter details, press the  button at the appropriate screen. Press the  or  buttons to leave the parameter.


Press the  button again to return to Operation Mode.

To turn on Lock Mode, press the  button at the C:Lc parameter. Turn the dial  counterclockwise and clockwise to scroll On or Off. Press the  button to save the selection and return to the parameters.

Press the  button again to return to Operation Mode.

NOTE: The control system will not allow the changes if Lock Mode is activated. Lock Mode will have to be turned off before making further changes.

F. Installer Mode

Installer Mode will activate when button  is pressed and held for five seconds while the water heater display is powered Off.

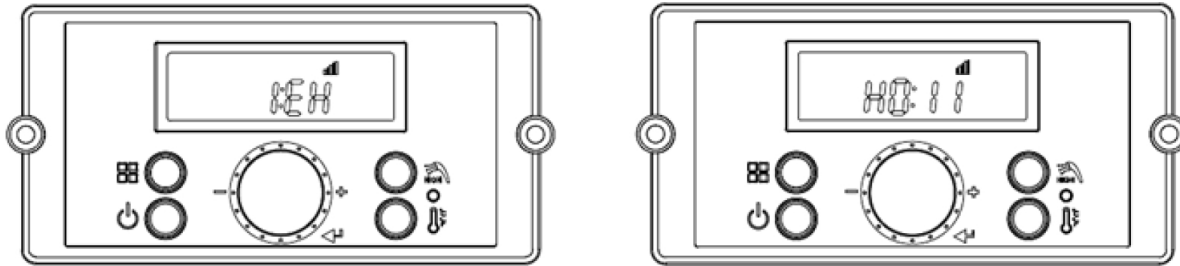







Figure 52 - Installer Mode Screens

Display	Default	Detail	Description
1:EH	E0.00	Error history up to 10	Check ten most recent Error Codes (H0 - H9)
2:cE	OFF	Clear Error History	Select "ON" to Clear Error History. Range: ON or OFF
3:In	OFF	System Reset (Factory Setting)	Select "ON" to restore system to default factory settings (Burner operation time, Ignition cycles, and Supply power time will not be reset.) Range: ON or OFF
4:Fu	GA	Flow Unit	Displays Flow Rate in Liters/Minute or Gallons/Minute Range: GA or Li
5:FH	00	Maximum Fan Speed	Adjusts maximum fan speed. Range: -30 to +30
6:FL	00	Minimum Fan Speed	Adjusts minimum fan speed. Range: -30 to +30
7:dr	NO	Reset Burner Operation Time	Select "YES" to Reset Burner Operation Time Range: YES or NO
8:dl	NO	Reset Ignition Cycle	Select "YES" to Reset Ignition Cycles Range: YES or NO
9:HA	0-2	High Elevation Mode	This water heater may be installed at elevations up to 10,000 feet and operate on either Natural or LP. The appliance will de-rate by 4% for each 1000 feet above sea level. Select the appropriate installation location as described below. Selects Installation Location for Proper Water Heater Operation at Altitude: 0-2 for installation locations from sea level to 1999 feet 2-5 for locations from 2000 to 4999 feet 5-8 for locations from 5000 to 7999 feet, 8-10 for locations from 8000 to 10000 feet Default: 0 - 2 NOTE: Use a calibrated combustion analyzer to ensure CO and CO2 are within the ranges shown in this manual. Adjust the offset screw in the clockwise (positive) or counterclockwise (negative) directions (approximately 1/8 turn) if the measured CO2 value on LOW FIRE is out of range.
10:Cn	00	Cascade Address	Chooses water heater cascade address. Range: 01 (Master), 02 (follower 1, ..., 17 (follower 18); Default: 00 NOTE: The Master water heater must always be addressed 01.
11:Cl	01	Number of Water Heaters to Run During Initial DHW Demand	Selects total number of units to run during the first DHW demand (01-18). Default: 01 NOTE: Selecting 01 is recommended to avoid issue with low flows
12:Eh	ON	Vent Setup (Common/Individual Vent)	Vent setup (Range: ON/OFF) ON = Common Vent, OFF = Individual Vent WARNING: DO NOT COMMON VENT 150 MODEL APPLIANCES! WARNING: DO NOT turn this function OFF when Common Venting 199 model appliances. Doing so could result in property damage, serious personal injury, or death.
13:Ct	01	Cascade Parameter	Selects the total number of cascaded units. (Set this on Cascade Master ONLY.) NOTE: A maximum of eighteen (18) 199 models may be installed in a cascaded system. A maximum of four (4) 150 models may be installed in a cascaded system. NOTE: 13:Ct will not appear on Follower appliances once it has been selected on the Master. Range: 01 - 18; Default: 01

Table 30 - Installer Mode Descriptions

Turn the dial  counterclockwise and clockwise to scroll through the displayed parameters. To view parameter details, press the  button at the appropriate screen. Turn the dial  counterclockwise and clockwise to change the selected parameter. To save the setting press the  button.

To leave Installer Mode, press the  button again. The display will return to power off mode.

G. Setting Up a Cascaded System

CAUTION
A maximum of eighteen (18) 199 models may be installed in a cascaded system. A maximum of four (4) 150 models may be installed in a cascaded system. Installing more than the maximum amount of water heaters in a cascaded system will result in system problems, property damage, and premature water heater failure. Such problems ARE NOT covered by product warranty.
DANGER
Only 199 Model water heaters may be common vented. DO NOT ATTEMPT to common vent 150 models! Doing so will result in property damage, severe personal injury, or death.
Common Vented units must be direct vented, with an exhaust vent and intake air pipe vented to the outdoors. DO NOT power vent Common Vented units! Doing so will result in property damage, severe personal injury, or death.
When installing a Common Vented system, it is important that the water heaters are the same model. Common Venting appliances of different models will result in property damage, severe personal injury, or death.
WARNING
For each floor containing bedroom(s), a carbon monoxide detector and alarm shall be placed in the living area outside the bedrooms, as well as in the mechanical room that houses the water heater. Detectors and alarms shall comply with NFPA 720 (latest edition). Failure to comply with these requirements could result in product damage, severe personal injury, or death.

When setting up a cascade system, each individual water heater control must be programmed for cascade operation.

Program the Master Water Heater:

To program the cascade system, first enter the Installer Mode. Scroll down to and select the following parameters on each boiler in the system:

1. **10:cn** – Set the cascade address on the Master water heater (Master should always be addressed 01) [range from 0-19].
2. **11:Cl** – This option dictates the numbers of units that will operate during every demand (during start-up, it is recommended to leave 01 [default] to avoid issues with low flows).
3. **12:Eh** - Choose the vent option (ON - Common Vent; OFF - Individual Vent) - It is very important to choose the proper settings to avoid safety issues. **NOTE:** When common vent is selected, there will be a safety shutdown if one of the units loses power, or if there is an error with fan and/or control board.
WARNING: DO NOT attempt to Common Vent 150 model appliances.
WARNING: DO NOT turn this function OFF when Common Venting the appliance. Doing so could result in property damage, serious personal injury, or death.
4. **13:Ct** - Choose the total number of units in the cascade system (if incorrect number of units is selected, Er:78 will occur).

Program the Follower Water Heaters:

10:Cn – Select the cascade address for each follower (repeat this step for all followers). Range: 02 - 18.

NOTE: The other settings will be automatically applied to connected followers after programming the Master.

NOTE: When you set the temperature set point on the Master appliance it will automatically be applied to the followers.

Master Rotation

- The Master and Followers can rotate or back up each other in case of error

- The Master appliance rotates after a cumulative combustion of 10 hours

	Unit 1	Unit 2	Unit 3	Unit 4	Unit 5	Unit 6
Sequence Before Rotation	CA 01	CA 02	CA 03	CA 04	CA 05	CA 06
Sequence After Rotation (10 Hours of Operation)	CA 06	CA 01	CA 02	CA 03	CA 04	CA 05

Table 31 - Master Rotation - CA - Cascade Address

Follower Rotation

The first unit to turn on during a DHW demand is the unit that ran the least amount of time during previous DHW demand. In order for a follower to rotate it needs to be run at least once (based on burner on time).

Cascade Transition - Up Transition

Transition	1	2	3	4	5	-
Over Capacity	The control valve reduces the flow when the load is over 80% of total capacity.					
5 to MAX	100%	100%	100%	100%	100%	
5	61%	61%	61%	61%	61%	!
4-5	76%	76%	76%	76%		
4	57%	57%	57%	57%	@	
3-4	76%	76%	76%			
3	51%	51%	51%	#		
2-3	76%	76%				
2	38%	38%	*			
1-2	76%					
1	0%					

Table 32 - Cascade Up Transition - * Two units split the previous load in half, # Three units split the previous load in third, @ Four units split the previous load in fourth, ! Five units split the previous load in fifth

NOTE: If the amount of heat needed to reach 70 - 80% of the total is needed, another unit comes ON.

Cascade Transition - Down Transition

Transition	1	2	3	4	5	-
Over Capacity	The control valve reduces the flow when the load is over 80% of total capacity.					
5 to MAX	100%	100%	100%	100%	100%	
5	32%	32%	32%	32%	32%	!
4-5	40%	40%	40%	40%		
4	32%	32%	32%	32%	@	
3-4	43%	43%	43%			
3	32%	32%	32%	#		
2-3	48%	48%				
2	32%	32%	*			
1-2	64%					
1	0%					

Table 33 - Cascade Up Transition - * Two units split the previous load in half, # Three units split the previous load in third, @ Four units split the previous load in fourth, ! Five units split the previous load in fifth

NOTE: If the amount of heat needed to reach 20 - 30% of the total is needed, another unit comes ON.

Part 10 - Troubleshooting

A. Error Code

When the water heater encounters an error, the display will flash "Er" followed by a numerical code. The water heater shall enter a soft lockout condition if the error is such that it can return to normal operation once the condition relieves itself (overheat conditions, NTC open or shorts, etc.). The water heater shall enter a hard lockout if the condition indicates something more serious (flame, ignition, condensate line, etc.) To clear a hard lockout Error Code, press the Power button. See Figure 53.

The following screen will display when the water heater encounters an error.

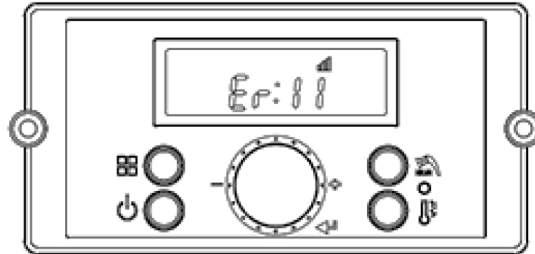


Figure 53 - Error Screen

Error Code	Error Code Description	Possible Remedies
Er:10	Flame has extinguished 8 (eight) times	Press the Power button to clear the Error Code. The Code will also automatically reset after one hour (up to three (3) times). If Error happens again: 1. Monitor the gas pressure to the water heater while in operation. Ensure pressure is between 3.5 and 14" WC. 2. Check gas valve wire. Ensure connection is secure. 3. Check flame detection sensor. Ensure connections are secure. Normal operating settings are more than 2.5DC before ignition, less than 2.5DC after ignition. 4. Check vent terminations. Ensure there are no blockages. 5. Assure that the flame is stable when lit. 6. If the problem persists, replace the main control.
Er:11	Ignition has failed 10 (ten) times	Press the Power button to clear the Error Code. The Code will also automatically reset after one hour (up to three (3) times). If Error happens again: 1. Monitor the gas pressure to the water heater while in operation. Ensure pressure is between 3.5 and 14" WC. 2. Check gas valve wire. Ensure connection is secure. 3. Check flame detection sensor. Ensure connections are secure. Normal operating settings are more than 2.5DC before ignition, less than 2.5DC after ignition. 4. Check igniter transformer for proper connection. 5. Clean the spark igniter with steel wool to remove oxides. Ensure proper separation (3-4 mm). 6. Replace the spark igniter if damaged. 7. Assure that the flame is stable when lit. 8. If the problem persists, replace the main control.
Er:16	Operating Temperature Sensor or DHW Sensor Detects Water Temperature Greater than 199°F (93°C)	This Error Code will go away when the DHW temperature decreases. If Error happens again: 1. Check if dip switch High Fire setting is ON. Switches 6 and 7 should be OFF for normal operation. 2. Check if DHW inlet pipe is blocked. Ensure there is enough water flowing to the water heater. 3. Check DHW sensor at DHW outlet. If resistance is zero, replace the sensor. 4. Check Operating Temperature sensor at the heat exchanger. If resistance is zero, replace the sensor. 5. If the problem persists, replace the main control.
Er:20	Temperature High Limit Overheat Switch - Closed is Normal, Open is Fault	Press the Power button to clear the Error Code. 1. Inspect the High Limit Overheat switch. Ensure proper connections. 2. Check High Limit Overheat switch resistance. If resistance is not zero, replace the switch. 3. If the problem persists, replace the main control.
Er:29	APS/Condensate - Closed is Normal, Open is Fault (Condensate Drain Trap)	Press the Power button to clear the Error Code. 1. Check APS/Condensate and main controller connections. Ensure all are secure. 2. Check APS/Condensate resistance. If resistance is not zero, replace the switch. 3. Check APS/Condensate hose. Ensure it is connected and in good condition. 4. Check condensate line and termination for blockages. 5. Check exhaust vent for blockages. 6. If the problem persists, replace the main control.
Er:31	Water Inlet Sensor Open or Short	This Error Code will go away when inlet water temperature decreases. If Error happens again: 1. Check inlet water temperature sensor. Ensure connections are secure. 2. Check sensor resistance. If resistance is zero, replace the sensor. 3. If the problem persists, replace the main control.

Error Code	Error Code Description	Possible Remedies
Er:32	Water Outlet Sensor Open or Short	This Error Code will go away when outlet water temperature decreases. If Error happens again: 1. Check DHW outlet temperature sensor. Ensure connections are secure. 2. Check sensor resistance. If resistance is zero, replace the sensor. 3. If the problem persists, replace the main control.
Er:33	H/X Temperature Sensor Open or Short	This Error Code will go away when outlet water temperature decreases. If Error happens again: 1. Check operating temperature sensor. Ensure connections are secure. 2. Check sensor resistance. If resistance is zero, replace the sensor. 3. If the problem persists, replace the main control.
Er:35	Exhaust Sensor Open or Short	This Error Code will go away when exhaust temperature decreases. If Error happens again: 1. Check exhaust temperature sensor. Ensure connections are secure. 2. Check sensor resistance. If resistance is zero, replace the sensor. 3. Check exhaust vent for blockage. 4. If the problem persists, replace the main control.
Er:38	Error Appears When Control Stores Data, but Data is not Saved	Press the Power button to clear the Error Code. Replace the main control.
Er:39	Flame Detected after Exiting a Flame On Condition	This Error Code will go away when the false flame condition is remedied. If Error happens again: 1. Check the water heater cover. Ensure it is secure. Flame detection sensor can detect an external light source. 2. Check flame detection sensor. Ensure connections are secure. Normal operating settings are more than 2.5DC before ignition, less than 2.5DC after ignition. 3. If the problem persists, replace the main control.
Er:41	Fan Speed too high with flame on	The Error Code will go away unless it occurs five (5) times in ten (10) minutes. Press the Power button to clear the Error Code. If Error happens again: 1. Check the vent connections for blockages. 2. Check the burner assembly. 3. Check fan operation. If fan appears to be operating normally but RPMs are too low or too high, replace the fan. 4. If the problem persists, replace the main control.
Er:42	Flue APS - Closed is Normal, Open is Fault (Condensate Drain Trap)	Press the Power button to clear the Error Code. 1. Check FLUE APS and main controller connections. Ensure all are secure. 2. Check FLUE APS resistance. If resistance is zero, replace the switch. 3. Check FLUE APS hose. Ensure it is connected and in good condition. 4. Check exhaust vent for blockages. 5. If the problem persists, replace the main control.
Er:43	Burner overheat switch open	Press the Power button to clear the Error Code. If Error happens again: 1. Check burner overheat switch connections. Ensure connections are secure. 2. Check switch resistance. If resistance is not zero, replace the switch. 3. If the problem persists, replace the main control.
Er:45	Water Leak (150 Models ONLY)	1. Turn power off to water heater. 2. Valve off the water heater to isolate it from the system. 3. Call a qualified installer / service technician to diagnose and repair the source of the leak.
Er:61	Fan Speed Feedback Signal Abnormal	This Error Code will go away when the condition is remedied. If Error happens again: 1. Check the connections to the fan. Ensure all are secure. 2. If the fan does not rotate during the ignition sequence, check for 120V power at the fan connection. If 120V power is present at the control, replace the fan. If the blower does not have 120V power, check power at the control. If 120V power is not present at the control, replace the control. 3. If the problem persists, replace the main control.
Er:65	Supply Water Valve Error	Press the Power button to clear the Error Code. If Error happens again: 1. Turn power OFF and ON at the main power switch internal to the water heater. 2. Check wiring connections to supply water valve. Ensure all are secure. 3. Replace supply water valve. 4. If the problem persists, replace the main control.
Er:66	Mixing Valve Error	Press the Power button to clear the Error Code. If Error happens again: 1. Turn power OFF and ON at the main power switch internal to the water heater. 2. Check wiring connections to mixing valve. Ensure all are secure. 3. Replace mixing valve. 4. If the problem persists, replace the main control.

Error Code	Error Code Description	Possible Remedies
Er:67	AGM Error	Press the Power button to clear the Error Code. If Error happens again: 1. Turn power OFF and ON at the main power switch internal to the water heater. 2. Ensure fan inlet hole is completely open after turning the power OFF and ON. 3. Check wiring connections to the AGM. Ensure all are secure. 4. Check AGM operation. 5. Replace AGM components. 6. If the problem persists, replace the main control.
Er:70	Register, Ram, Rom, I/O Port, AD Abnormal, Important EPROM Data or Safe Data Abnormal	This Error Code will go away when the condition is remedied. If Error happens again: 1. Turn power OFF and ON at the main power switch internal to the water heater. 2. If the problem persists, replace the main control.
Er:72	Flame Signal Detected before Ignition	This Error Code will go away when the condition is remedied. If Error happens again: 1. Check the water heater cover. Ensure it is secure. Flame detection sensor can detect an external light source. 2. Check flame detection sensor. Ensure connections are secure. Normal operating settings are more than 2.5DC before ignition, less than 2.5DC after ignition. 3. If the problem persists, replace the main control.
Er:73	DIP Switch is Abnormal	This Error Code will go away when the condition is remedied. If Error happens again: 1. Check dip switches. Ensure switches match the ratings plate requirements of the water heater. See dip switch details, this manual, for default settings. 2. If the problem persists, replace the main control.
Er:76	Poor Communication	This Error Code will go away when the condition is remedied. If Error happens again: 1. Check connections from main control to display panel. 2. If the problem persists, replace the display and/or the main control.
Er:78	Cascade Communication Error	NOTE: This error will only appear in a cascaded system. 1. Turn power OFF and ON at the appliance display panel. 2. If error reappears, ensure all cascaded appliances are powered ON. 3. If error reappears, check Installer Mode parameter 13 at the Master appliance. Ensure the number of cascaded units chosen in this parameter matches the number of cascaded units in the system. 4. If error reappears, check Installer Mode parameter 10 at all cascaded appliances. Ensure the address number matches that of the connected appliance (01 for Master, 02 for Follower 1, etc.) and that no numbers are skipped or repeated. 5. Ensure every unit in the cascade system is connected properly. Inspect the cascade cables and ensure all are connected without damage or defect. Repair or replace any damaged cables. 6. If the problem persists, replace the main control.
Er:94	Exhaust NTC detects Vent Temperature is Greater than 149°F (65°C) (190°F [87.8°C] when High Temp set point is Selected)	This Error Code will go away when the condition is remedied. If Error happens again: 1. Check if dip switch High Fire setting is ON. Switches 6 and 7 should be OFF for normal operation. 2. Check exhaust temperature sensor. Ensure connections are secure. 3. Check sensor resistance. If resistance is zero, replace the sensor. 4. Check exhaust vent for blockage. 5. If the problem persists, replace the control. 6. If the problem persists, replace the heat exchanger.

Table 34 - Error Codes and Suggested Corrective Actions

WARNING

This water heater is equipped with a blocked vent shutoff system. If Error Codes Er:29, Er:41, Er: 42, or Er:94 occur, turn off the gas valve at the manual shutoff. Check the vent terminations for obstructions. If no obstructions are found, reset the water heater by pressing the power button. If the error continues to occur, call a qualified installer / service technician or the gas supplier to check the water heater. Failure to follow these instructions could result in property damage, personal injury, or death.

B. Error Tree Analysis
1. Flame Detection

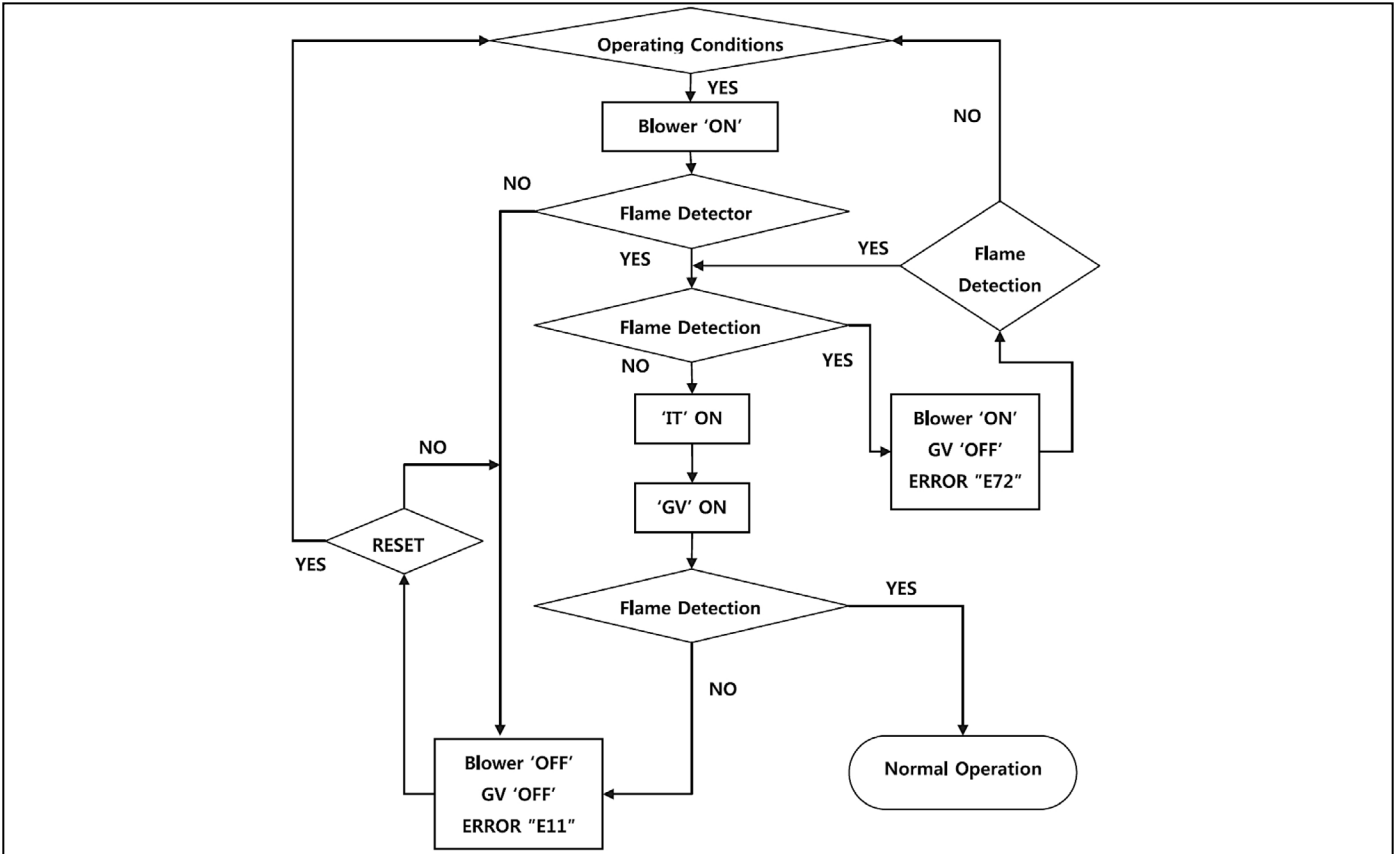


Figure 54 - Flame Detection Error Analysis Tree

2. Air Pressure Switch Detection

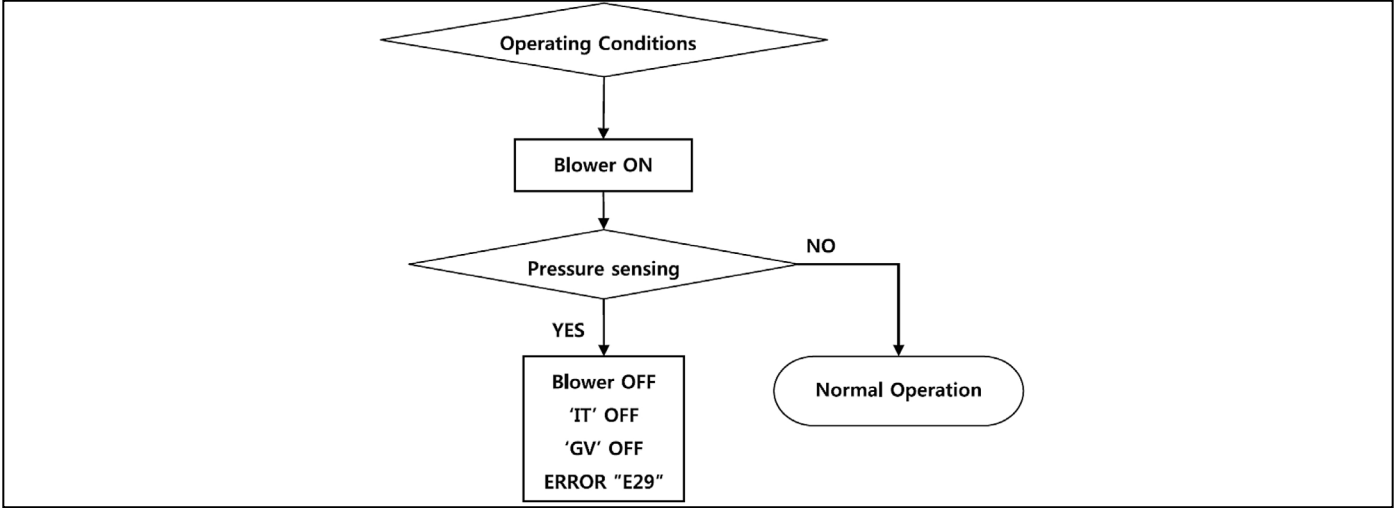


Figure 55 - Air Pressure Switch Analysis Tree

3. Inlet / DHW / Operating Temperature / Exhaust Sensors

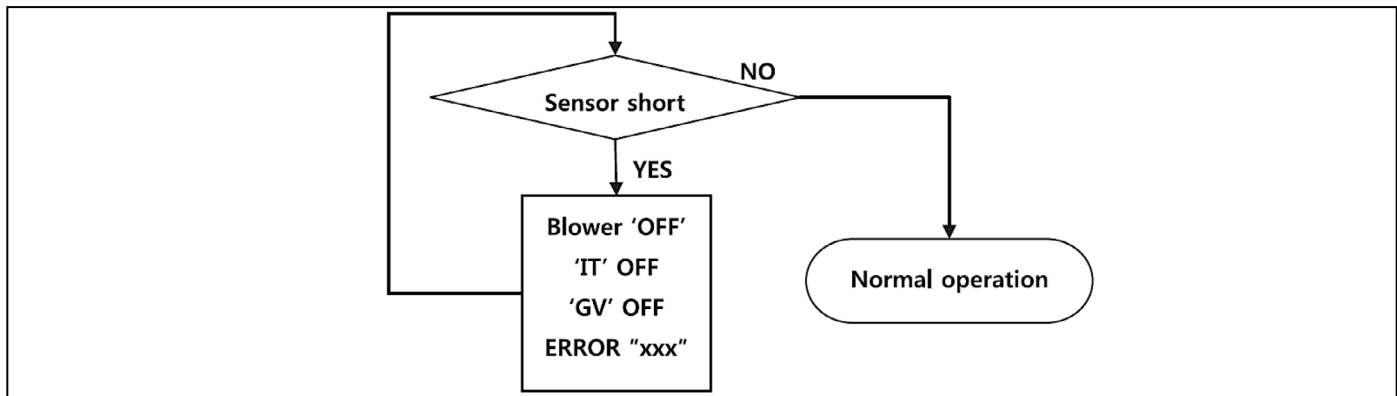


Figure 56 - Inlet / DHW / Operating Temperature Sensors Error Analysis Tree

C. Suggested Corrective Actions

Problem	Possible Causes	Possible Remedies
No electrical power to the water heater	<ol style="list-style-type: none"> 1. Is the plug on the power supply cord unplugged from the electrical outlet? 2. Is electrical panel's 10 Amp circuit breaker tripped? 3. Is the fuse on the circuit board good? 4. Is there a power outage to the home? 	<ol style="list-style-type: none"> 1. Reset the plug. 2. Reset the circuit breaker. 3. If the display panel is blank, unplug the unit or contact a qualified installer / service technician. 4. Contact the power company.
No water available when faucet is opened	<ol style="list-style-type: none"> 1. Is the water supply valve shut off at the meter (do cold water faucets work)? 2. Is the water supply valve near the unit open? 3. Is the water pipe frozen? 4. Is an error code flashing on the display panel (leak detected)? 	<ol style="list-style-type: none"> 1. Open the closed supply valve. 2. Open the water supply valve. 3. Turn OFF the unit, close all water valves and the gas valve. Contact a qualified installer / service technician. 4. Refer to error code information and contact a qualified installer / service technician.
Hot water is not available when a faucet is opened	<ol style="list-style-type: none"> 1. Does the water heater have power (plugged in)? 2. Is the water heater turned ON? 3. Is an error code flashing on the display panel? 4. Is the gas supply valve open or shut off at the meter (do other gas devices work)? 	<ol style="list-style-type: none"> 1. Restore electrical power to the unit. 2. Press and hold the Power button to turn the unit ON. 3. Refer to the Diagnostic and Error Codes section in this manual. 4. Open the gas supply valve.
The water temperature is not hot enough or turns cold during use	<ol style="list-style-type: none"> 1. Is the faucet open enough to draw at least 0.5 gallons (2.2L) per minute through the water heater? 2. Is an error code flashing on the display panel? 3. Is the outlet water temperature set too low? 	<ol style="list-style-type: none"> 1. Open the faucet to allow more water flow. 2. Refer to the Diagnostic and Error Codes section in this manual. 3. Adjust the outlet water temperature (refer to the procedure in this manual).
It takes a long time before hot water flows from the faucet	Is the faucet some distance from the water heater?	<ol style="list-style-type: none"> 1. Have recirculation valves and/or plumbing return line(s) installed and program the unit for external recirculation mode. 2. Allow time for the cold water already in the pipes to flow from the faucet.
The water is not hot enough	Is the water temperature set too low?	Adjust the temperature setting.
The water at the faucet is too hot	Is the water temperature set too high?	Adjust the temperature setting.
A fan can be heard even when the unit is not operating	<ol style="list-style-type: none"> 1. The fan continues to operate after the burner shuts off to clear the exhaust vent of combustion gases. 2. The fan may run to help prevent freezing. 	<ol style="list-style-type: none"> 1. This is normal operation – no action is required. 2. Protect the water heater from freezing temperatures or shut off and drain the unit.
White "smoke" can be seen coming out of the exterior exhaust gas vent	Depending on the outside temperature, water vapor can be produced as the exhaust is vented.	This is normal operation – no action is required.

Table 35 - Troubleshooting Chart

DIAGNOSTICS AND SUGGESTED CORRECTIVE ACTIONS

The water heater control is able to record information about the water heater's condition at the time of the ten previous faults or errors. This information is available to view in the Installer Mode under the History screen.

The following screens may be displayed when reviewing the water heater history. The table below also includes diagnostic information and possible corrective actions.

Display	Condition	Diagnostic	Possible Corrective Actions
Nothing appears on the display control panel but the fan runs at full speed	Control is not receiving power	Check wiring for short circuit or incorrect wiring	Correct wiring per wiring diagram including connection of transformer to the control.
		Check transformer connection to the control per wiring diagram. Check for 14V output of panel wire.	Push the Power button on the control panel
Nothing appears on the display control panel and no other water heater components are operating	Control is not receiving 120V power	Ensure service switch and/or circuit breaker to water heater is turned ON	Turn on service switch or circuit breaker to power water heater
		Is there 120V at the service switch	Troubleshoot and correct the power supply to the manual switch
		Is the ON/OFF switch inside the water heater cabinet is turned on	Turn ON the manual power switch inside the water heater cabinet
		Check for 120V at the line voltage terminal block located inside the water heater cabinet	Correct wiring inside the water heater cabinet using the wiring diagram in the installation manual
		Inspect the fuse. Replace as necessary	Replace the fuse with the proper part found in the replacement part section of this manual. If fuse blows again, recheck the wiring per diagram
Nothing appears on the display control panel, but the water heater is operating	Occurs when communications is lost from the control to the display	Check for loose connections and proper pin alignment / engagement on the control's plug	Check for continuity on the wire harness from the display to the control. See repair parts section for proper replacement part.
		Cycle power off and on using water heater power switch and check for operation	Replace with new display module. See repair parts section for proper replacement part.
Display repeatedly goes through initialization sequence	Occurs when control does not receive signal from fan	Cycle power off and on using appliance power switch and check for operation	Replace fan

Table 36 - Diagnostics and Suggested Corrective Actions

DHW Inlet Temperature Sensor (7850P-015) Exhaust Temperature Sensor (7850P-070)		DHW Outlet Temperature Sensor (7850P-019) HX (OP) Temperature Sensor (7850P-081)	
Temperature (°F)	Resistance (Ω)	Temperature (°F)	Resistance (Ω)
-4	62162	-4	28409
5	48440	5	22152
14	38045	14	17408
23	30107	23	13782
32	23998	32	10990
41	19261	41	8824
50	15562	50	7131
59	12655	59	5800
68	10353	68	4747
77	8520	77	3906
86	7051	86	3233
95	5867	95	2690
104	4908	104	2250
113	4125	113	1891
122	3485	122	1598
131	2957	131	1356
140	2520	140	1155
149	2157	149	989
158	1854	158	850
167	1600	167	733
176	1386	176	635
185	1205	185	552
194	1051	194	482
203	920	203	421
212	808	212	370

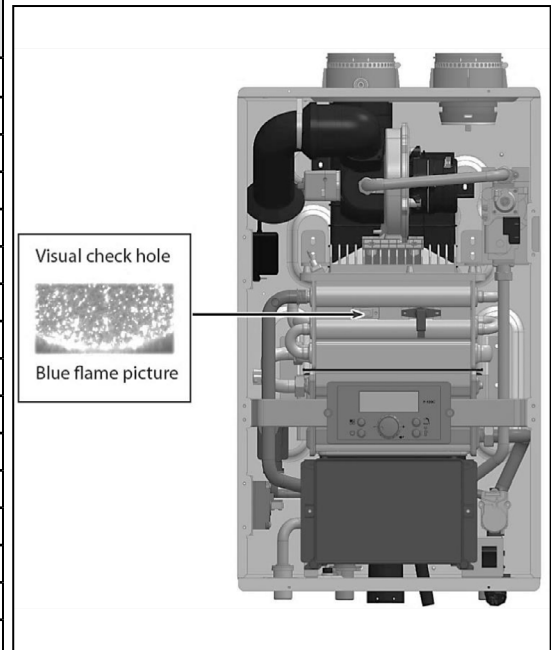


Figure 57 - Flame Sight Glass

Table 37 - Temperature Sensor Resistance

Part 11 - Installation Checklist

Before Installing	Yes	No
Is there enough space to ensure proper installation?		
Does installation location allow for proper service clearances?		
Are water and gas lines properly sized and set at proper pressures for the installation?		
Is water heater location as near the exhaust vent / intake pipe terminations as possible?		
Have combustible materials been cleared from the installation location?		
Is there a drain close to the water heater?		
Water Piping	Yes	No
Does water heater loop piping meet the minimum sizing requirements listed? NOTE: Smaller piping will cause performance problems.		
Has water chemistry been checked?		
Does water chemistry meet requirements?		
If water chemistry does not meet requirements, have treatment measures been put in place?		
Has the system been cleaned and flushed?		
Install Exhaust Vent and Intake Piping	Yes	No
Has the water heater been vented with the approved materials listed in this manual or to meet local codes?		
Is air supply sufficient for proper water heater operation?		
Is total vent piping length within the maximum vent length restriction listed in this manual?		

Install Exhaust Vent and Intake Piping	Yes	No
Have venting lengths been minimized?		
Are terminations properly spaced from windows, doors, and other intake vents?		
Have all vent terminations been installed at least one foot above exterior grade and one foot above normal snow accumulation level?		
Is vent piping properly supported?		
Has vent piping been checked for leaks?		
Has the exhaust vent line been pitched back to the water heater at a rate of 1/4" per foot?		
Have the exhaust vent and intake pipes been properly installed to the water heater?		
Install Condensate Piping / Tubing and Components	Yes	No
Have all condensate components included with the water heater been installed?		
Is the condensate line piped with the approved materials listed in this manual?		
Has the condensate line been routed to a laundry tub or other drain?		
Install Gas Piping	Yes	No
Is the gas supply line a minimum of 3/4" in diameter?		
Is the gas supply line length and diameter adequate to deliver the required BTUs?		
Has gas supply line pressure been measured?		
Does the gas type match the type indicated on the water heater rating plate?		
Has a union and shut-off valve been installed?		
Relief Valve	Yes	No
Is the Pressure Relief Valve properly installed and discharge line run to open drain?		
Is the discharge line at least 3/4" in diameter and protected from freezing?		
Wiring	Yes	No
Has the power and control been wired per water heater wiring diagram, this manual?		
Have all DIP switches been set on the main water heater board?		
Is the electrical connection polarity within water heater requirements?		
Does the power supply voltage agree with the water heater rating plate? 120V AC?		
Start-Up, Adjust, and Test	Yes	No
Has the water heater been started?		
If necessary, has the water heater gas valve been adjusted?		
Has the installation been customized per installation location requirements?		
Have all customized system parameters been tested?		
Has proper water heater operation been confirmed?		
Burner Flame	Yes	No
Has the burner flame been checked?		
Have combustion values been verified with a meter?		
If the flame does not appear normal, it may need to be cleaned by a qualified installer / service technician. See Figure 57 for flame sight glass window location.		
Final Installation Approvals		
Signed by Technician	Date	

Table 38 - Installation Checklist

Part 12 - Maintenance

! DANGER

The water heater must be inspected and serviced annually, preferably at the start of the heating season, by a qualified installer / service technician. In addition, the maintenance and care of the water heater as outlined in this manual must be performed by the user/owner to assure maximum efficiency and reliability. Follow the maintenance procedures given throughout this manual. Failure to perform the service and maintenance or follow the directions in this manual could damage the water heater or system components, resulting in substantial property damage, severe personal injury, or death.

Check the Surrounding Area

! DANGER

To prevent the potential of substantial property damage, severe personal injury, or death, eliminate all the materials listed in Table 7. from the area surrounding the water heater and the vicinity of the combustion air intake. If contaminates are found:

- Remove products immediately from area.
- If contaminates have been there for an extended period, call a qualified installer / service technician to inspect the water heater for possible damage from acid corrosion.

If products cannot be removed, immediately call a qualified installer / service technician to re-pipe the combustion air intake piping away from the contaminated areas.

Combustible/Flammable Materials

Do not store combustible materials, gasoline, or other flammable vapors or liquids near the water heater. If found, remove these materials immediately.

Air Contaminates

If allowed to contaminate combustion air, products containing chlorine or fluorine will produce acidic condensate that will cause significant damage to the water heater. Read the list of potential contaminates and areas likely to have these contaminates in Table 7. If any of these contaminates are in the room where the water heater is located, or combustion air is taken from one of the areas listed, the contaminants must be removed immediately or the intake pipe must be relocated to another area.

Ensure the Water Heater Cabinet is Closed

Ensure the water heater cabinet is closed. Tighten the two upper and lower screws to secure it. The cabinet must be closed while the water heater is running.

Check the Power Source

Make sure the power cord is properly connected. The main power line is connected to the manual switch box inside the water heater.

Check the Status of the Control Panel

Observe the Control Panel to ensure the water heater is powered on, and to check for any error codes. Clear any debris from the panel.

Check Exhaust Vent and Intake Pipe Terminations

Verify that the water heater exhaust vent and intake pipe terminations are clean and free of obstructions. Remove any debris from the exhaust vent or intake pipe openings. If removing the debris does not allow the water heater to operate correctly, contact your qualified installer / service technician to inspect the water heater and the vent system.

Check Exhaust Vent and Intake Piping

Visually inspect the exhaust vent for any signs of blockage, leakage, or deterioration of the piping. Inspect the exhaust vent bracing. Ensure bracing is undamaged and in good condition. Notify a qualified installer / service technician immediately if any problems are found.

! WARNING

Failure to inspect the venting system and have it repaired by a qualified installer / service technician can result in vent system failure, causing severe personal injury or death.

Visually inspect the intake piping for any signs of blockage. Inspect the entire length of the intake pipe to ensure piping is intact and all joints are properly sealed. Inspect the intake pipe bracing. Ensure bracing is undamaged and in good condition. Notify a qualified installer / service technician if any problems are found.

Check Pressure Relief Valve

- Visually inspect the primary pressure relief valve and discharge pipe for signs of weeping or leakage.
- If the pressure relief valve often weeps, the expansion tank may not be operating properly. Immediately contact a qualified installer / service technician to inspect the water heater and system.

Check the Condensate Drain System

- While the water heater is running, check the discharge end of the condensate drain tubing. Ensure no flue gas is leaking from the condensate drain tubing by holding your fingers near the opening.
- If you notice flue gas leaking from the opening, this indicates a dry condensate drain trap. If problem persists, contact a qualified installer / service technician to inspect the water heater and condensate line and refill the condensate trap.
- If applicable, check the condensate neutralizer and ensure it is full of condensate neutralizing marble chips.

Cleaning the Air Intake Filter

The air intake filter should be cleaned once a month. If not, the water heater could encounter combustion problems.

To clean the air intake filter:

1. Press the Power button on the control panel to turn off the water heater.
2. Disconnect the power supply from the water heater.
3. If water heater has been operating, wait for it to cool before continuing.
4. Remove the front cover of the water heater cabinet.
5. Pull the filter out of the air intake adapter.
6. Remove the filter from the plastic assembly and clean it with a toothbrush and clean running water. See Figure 58.

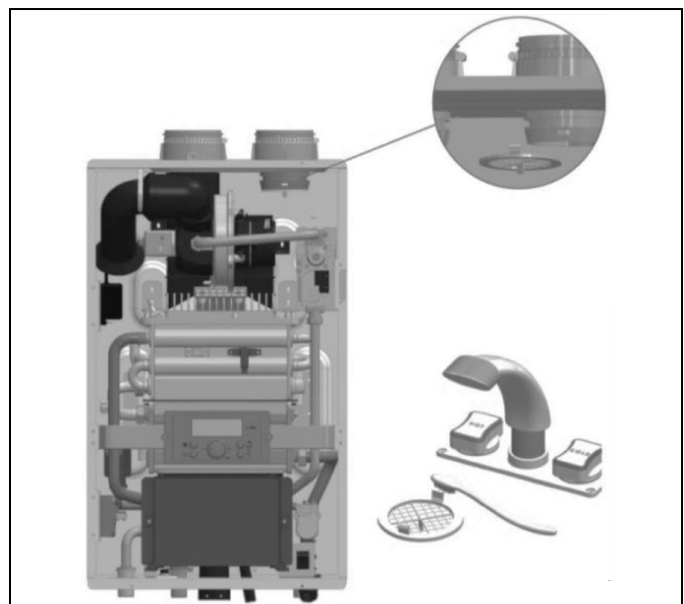


Figure 58 - Cleaning the Air Intake Filter

7. Dry the filter completely. Then reinsert the filter into the plastic assembly.
8. Replace the front cover of the water heater cabinet. Reconnect power supply to the water heater.
9. Press the Power button on the control panel to turn on the water heater.

Check Primary and Gas Piping

- Remove the water heater cover and perform a gas leak inspection following Operating Instructions, page 2, this manual. If gas odor or leak is detected, follow procedures on page 2. Call a qualified installer / service technician.
- Visually inspect for leaks around the internal water heater water connections and around the heat exchanger. Visually inspect the external system piping, circulators, and system components and fittings. Immediately call a qualified installer / service technician to repair any leaks

WARNING

Have leaks fixed at once by a qualified installer / service technician. Failure to comply could result in substantial property damage, severe personal injury, or death.

Operate Pressure Relief Valve

- Before proceeding, verify that the relief valve outlet has been piped to a safe place of discharge, avoiding any possibility of scalding from hot water.
- Shut power off to the water heater. To avoid scalding, wait for water heater to cool before operating the relief valve.

WARNING

To avoid water damage or scalding due to relief valve operation, a discharge line must be connected to the valve outlet and directed to a safe place of disposal. This discharge line must be installed by a qualified installer / service technician in accordance with the water heater installation manual. The discharge line must be terminated so as to eliminate possibility of severe burns or property damage should the valve discharge.

- Lift the relief valve lever. If water flows freely, release the lever and allow the valve to seat. Watch the end of the relief valve discharge pipe to ensure that the valve does not weep after the line has had time to drain. If the valve weeps, lift the lever again to attempt to clean the valve seat. If the valve does not properly seat and continues to weep, contact a qualified installer / service technician to inspect the valve and system.
- If water does not flow from the valve when you completely lift the lever, the valve or discharge line may be blocked. Immediately shut the water heater down per instructions on page 2 and call a qualified installer / service technician to inspect the valve and system.
- If relief valve seats properly, restore power to the water heater. Observe operation for five minutes and ensure it operates properly.

Check the Burner

Clean the exterior of the burner.

Cleaning the Cold Water Inlet Filter (Draining the Water Heater)

1. Place a bucket under the appliance to collect the residual water inside the water heater.
2. Press the Power button on the control panel to turn off the electrical power to the water heater. Then turn off the gas valve.
3. Valve off the water heater from the system. If the water heater cannot be isolated from the system, turn off the main water valve. Open the hot water faucets in the system to aid in draining the system.
5. Remove the cold water inlet filter. Then clean it with a toothbrush and clean running water. See Figure 59.

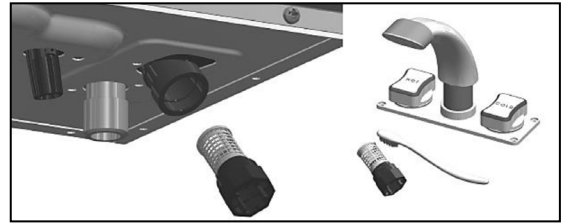


Figure 59 - Draining the Water Heater; Cleaning the Filter

6. Reinstall the cold water inlet filter.
7. Restore water service to the water heater by opening the isolation valves, or turning on the main water valve.
8. Turn on the gas valve. Turn on electrical power to the water heater and press the Power button to turn the water heater on.

Flushing the Water Heater

Flushing the heat exchanger is a complicated procedure that should only be performed by a qualified installer / service technician.

NOTE: Improper maintenance WILL VOID water heater warranty.

1. Disconnect electrical power to the water heater.
2. Close the shutoff valves on both hot water outlet and cold water inlet lines (V1 and V2). See Figure 60.
3. Connect one hose (D1, Figure 60) to the valve (V3) and place the free end in a bucket. Connect one of the hoses (D3) to the circulation pump outlet and the cold water inlet line to valve V4. Connect the other hose (D2) to the circulation pump inlet and place the free end in the bucket.
4. Pour tankless water heater cleaning solution into the bucket. Ensure the cleaning solution is approved for potable water systems. Place the drain hose (D1) and hose D2 to the pump inlet in the cleaning solution.
5. Open service valves (V3 and V4) on the hot water outlet and cold water inlet lines.
6. Turn on the pump. Operate the pump and allow the cleaning solution to circulate through the water heater for at least 1 hour at a rate of 4 gallons per minute. This will remove any possible harmful scale deposits.
7. Rinse the cleaning solution from the water heater as follows:
 - a. Remove the free end of drain hose D1 from the bucket.
 - b. Close service valve V4 and open shutoff valve V2.
 - c. Do not open shutoff valve V1.
 - d. Allow water to flow through the water heater for 5 minutes.
 - e. Close shutoff valve V2.

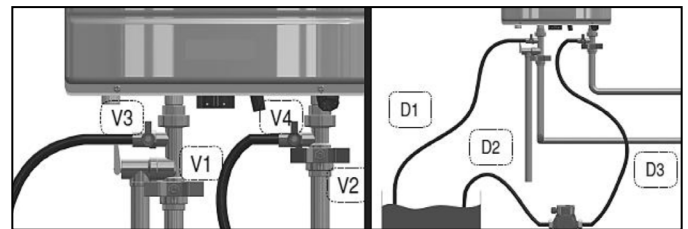


Figure 60 - Flushing the Water Heater

8. Disconnect all hoses.
9. Remove the cold water inlet filter from the water heater and clean out any residues.
10. Reinsert the filter and ensure the filter cap is securely tightened.
11. Connect electrical power to the water heater.
12. Open a hot water faucet. Run the water heater continuously for five minutes to ensure all cleaning solution is purged from the system. Check for leaks and ensure the water heater is operating properly.

Maintenance Report**CAUTION**

In unusually dirty or dusty conditions, care must be taken to keep water heater cabinet door in place at all times. Failure to do so VOIDS WARRANTY!

WARNING

Allowing the water heater to operate with a dirty combustion chamber will hurt operation. Failure to clean the heat exchanger as needed by the installation location could result in water heater failure, property damage, personal injury, or death. Such product failures ARE NOT covered under warranty.

The combustion chamber insulation in this product contains ceramic fiber material. Ceramic fibers can be converted to cristobalite in very high temperature applications. The International Agency for Research on Cancer (IARC) has concluded, "Crystalline silica inhaled in the form of quartz or cristobalite from occupational sources is carcinogenic to humans (Group 1)."

- Avoid breathing dust and contact with skin and eyes.
- Use a NIOSH certified dust respirator (N95). This type of respirator is based on the OSHA requirements for cristobalite at the time this document was written. Other types of respirators may be needed depending on job site conditions. Current NIOSH recommendations can be found on the NIOSH website: <http://www.cdc.gov/niosh/homepage.html>. NIOSH approved respirators, manufacturers, and phone numbers are also listed on this website.
- Wear long-sleeved, loose fitting clothing, gloves, and eye protection.
- Apply enough water to the combustion chamber lining to prevent dust.
- Wash potentially contaminated clothes separately from other clothing. Rinse clothes washer thoroughly.

NIOSH stated First Aid.

- Eye: Irrigate immediately.
- Breathing: Fresh air.

The water heater requires minimal periodic maintenance under normal conditions. However, in unusually dirty or dusty conditions, periodic vacuuming of the cover to maintain visibility of the display and indicators is recommended.

Periodic maintenance should be performed once a year by a qualified installer / service technician to assure that all the equipment is operating safely and efficiently. The owner should make necessary arrangements with a qualified heating contractor for periodic maintenance of the water heater. Installer must also inform the owner that the lack of proper care and maintenance of the water heater may result in a hazardous condition.

INSPECTION ACTIVITIES		DATE LAST COMPLETED			
PIPING		1st YEAR	2nd YEAR	3rd YEAR	4th YEAR*
Near water heater piping	Check water heater and system piping for any sign of leakage. Leaking pipes could cause property damage. Make sure all piping is properly supported. Flush tankless heat exchanger annually (more in hard water conditions). See User's Information manual for instructions.				
Vent	Check condition of all vent pipes and joints. Ensure all vent piping is properly supported. Check for obstructions exhaust and intake termination points.				
Gas	Check Gas piping, test for leaks and signs of aging. Make sure all pipes are properly supported.				
SYSTEM					
Visual	Do a full visual inspection of all system components.				
Functional	Test all functions of the system (Heat, Safeties)				
Temperatures	Verify safe settings on water heater or Anti-Scald Valve				
Temperatures	Verify programmed temperature settings				
ELECTRICAL					
Connections	Check wire connections. Make sure they are tight.				
Smoke and CO detector	Verify devices are installed and working properly. Change batteries if necessary.				
Circuit Breakers	Check to see that the circuit breaker is clearly labeled. Exercise circuit breaker.				
Switch and Plug	Verify ON/OFF switch and convenience plug are both functional				
CHAMBER/BURNER					
Combustion Chamber	Check burner tube and combustion chamber coils. Clean according to maintenance section of manual. Vacuum combustion chamber.				
Spark Electrode	Clean. Set gap at 1/8".				
CONDENSATE					
Condensate Trap	Clean debris from the condensate trap. Fill with clean water.				
Neutralizer	Check condensate neutralizer. Replace if necessary.				
Condensate hose	Disconnect condensate hose. Clean out dirt and re-install. (NOTE: Verify the flow of condensate, making sure that the hose is properly connected during final inspection.)				
GAS					
Pressure	Measure incoming gas pressure (3.5" to 14"W.C.)				
Pressure Drop	Measure drop in pressure on light off (no more than 1"W.C.)				
Check gas pipe for leaks	Check piping for leaks. Verify that all are properly supported.				
COMBUSTION					
CO/CO2 Levels	Check CO and CO2 levels in Exhaust. Record at high and low fire.				
SAFETIES					
ECO (Energy Cut Out)	Check continuity on Flue and Water ECO. Replace if corroded.				
FINAL INSPECTION					
Check list	Verify that you have completed entire check list. WARNING: FAILURE TO DO SO COULD RESULT IN SERIOUS INJURY OR DEATH.				
Homeowner	Review what you have done with the homeowner.				
TECH SIGN OFF					

Table 39 - *Continue annual maintenance beyond the 4th year as required.

Part 13 - Replacement Parts

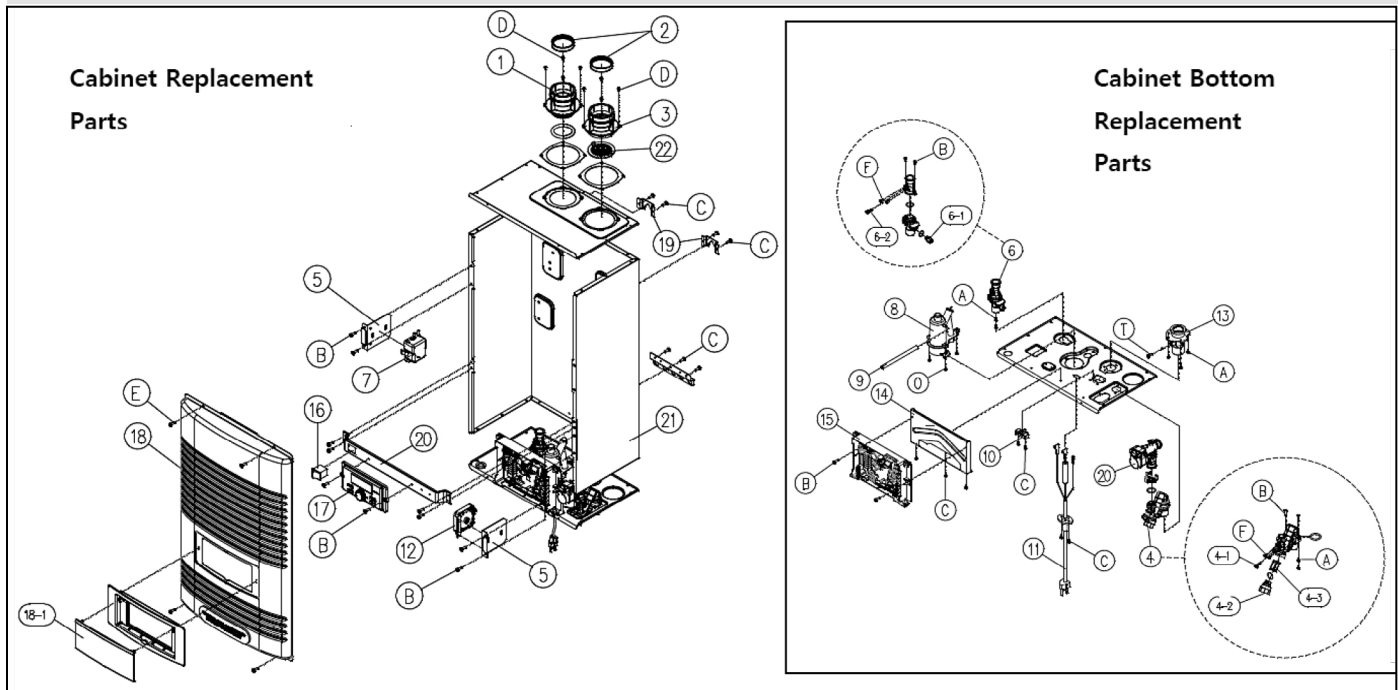


Figure 61 - 150 Model Cabinet Replacement Parts

NUMBER	DESCRIPTION	PART NUMBER	NUMBER	DESCRIPTION	PART NUMBER
1	Exhaust Assembly	7850P-117	10	Water Leak Detector	7850P-215
2	Exhaust and Intake Packing	7850P-118	11	Power Cord	7850P-123
3	Air Intake Assembly	7850P-119	12	Air Pressure Switch	7850P-047
4	Water Inlet Valve Assembly	7850P-018	13	Gas Inlet Connection	7850P-043
4-1	Cold Water Temperature Sensor	7850P-015	14	Control Board Bracket	7850P-124
4-2	Water Inlet Filter Cap	7850P-016	15	PCB (Control Board)	7850P-125
4-3	Cold Water Filter	7850P-017	16	Power Switch	7850P-059
5	Bracket (Igniter, Air Pressure Switch)	7850P-214	17	Control Panel	7850P-057
6	Hot Water Pipe Assembly	7850P-121	18	Front Cover Assembly	7850P-025
6-1	Hot Water Plug	7850P-202	18-1	Control Panel Window	7850P-023
6-2	Hot Water Temperature Sensor	7850P-019	19	Case Bracket	7850P-127
7	Igniter	7850P-045	20	Flow Control Valve	7850P-053
8	Condensate Trap	7850P-014	21	Case	7850P-130
9	Siphon Air Pressure Hose	7850P-112	22	Air Intake Filter	7850P-120

Table 40 - 150 Model Cabinet Replacement Parts

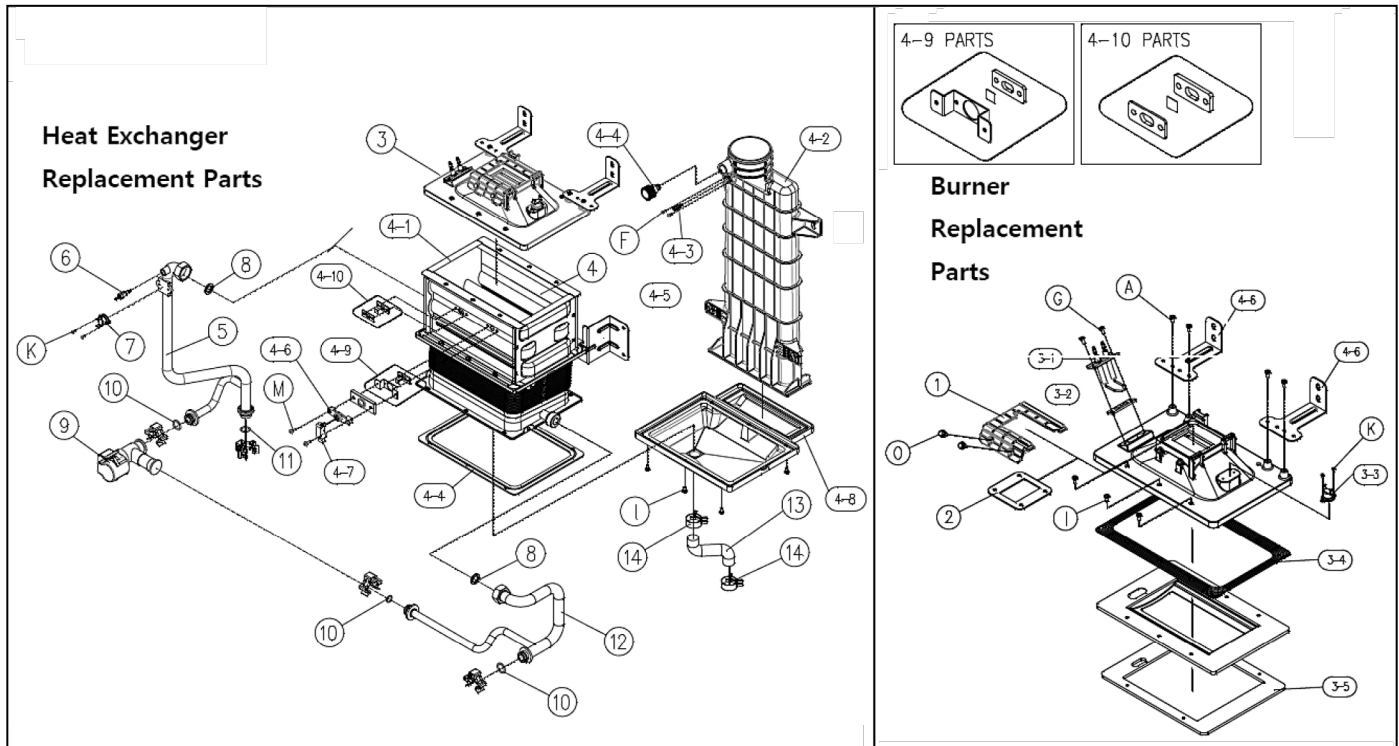


Figure 62 - 150 Model Heat Exchanger Replacement Parts

NUMBER	DESCRIPTION	PART NUMBER	NUMBER	DESCRIPTION	PART NUMBER
1	Burner Fixing Bracket	7850P-133	4-6	Flame Detector Sensor Bracket	7850P-030
2	Blower Connector Packing	7850P-225	4-7	Flame Detector Sensor	7850P-031
3	Burner Assembly	7850P-134	4-8	Exhaust Pipe Assembly (Upper)	7850P-139
3-1	Ignition Rod	7850P-008	4-9	Flame Glass Kit	7850P-144
3-2	Ignition Rod Gasket	7850P-010	4-10	Sight Glass Kit	7850P-145
3-3	Overheat Switch (Burner)	7850P-009	5	Hot Water Outlet Pipe	7850P-146
3-4	Burner Head Packing	7850P-135	6	HX Water Temperature (OP)	7850P-081
3-5	Burner Head Gasket	7850P-136	7	Overheat Sensor	7850P-147
4	Heat Exchanger Assembly	7850P-137	8	3/4" Pipe Gasket	7855P-073
4-1	Heat Exchanger Semi Assembly	7850P-138	9	Mixing Valve	7850P-054
4-2	Condensate Bay	7850P-140	10	O-Ring (P15)	7855P-044
4-3	Exhaust Temperature Sensor	7850P-070	11	Condensate Outlet O-Ring (P16)	7855P-075
4-4	Secondary Heat Exchanger Packing	7850P-141	12	Water Inlet Pipe	7850P-148
4-5	Heat Exchanger Brackets (Left)	7850P-142	13	Condensate Hose	7850P-149
	Heat Exchanger Brackets (Right)	7850P-143	14	Internal Condensate Hose Clip	7850P-038

Table 41 - 150 Model Heat Exchanger Replacement Parts

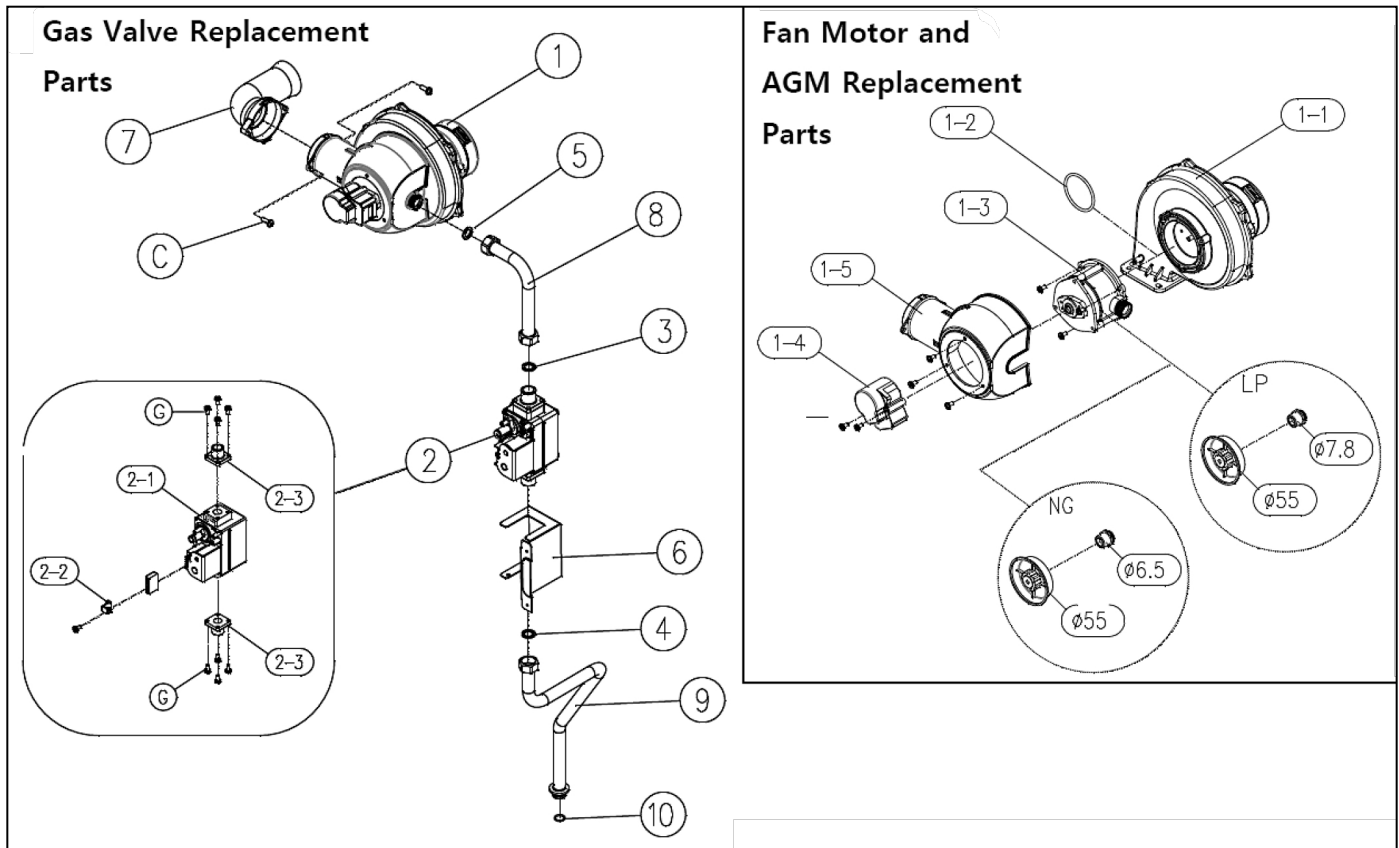


Figure 63 - 150 Model Combustion System Replacement Parts

NUMBER	DESCRIPTION	PART NUMBER	NUMBER	DESCRIPTION	PART NUMBER
1	Fan and AGM Assembly NG	7850P-150	2-2	Gas Valve Plug Bracket	7850P-157
	Fan and AGM Assembly LP	7850P-151	2-3	Gas Valve Adapter -90	7850P-079
1-1	Fan	7850P-002	3	1/2" Pipe Gasket (15A)	7855P-072
1-2	O-Ring	7850P-003	4	15A Packing (Non-Asbestos)	7855P-221
1-3	N/A	N/A	5	Gas Mixer Bracket	7850P-242
			6	Gas Valve Bracket	7850P-158
1-4	AGM (Actuator)	7850P-152	7	Silencer Elbow	7850P-159
1-5	Silencer Body	7850P-155	8	Gas Pipe (Upper)	7850P-160
2	Gas Valve Assembly	7850P-156	9	Gas Pipe (Lower)	7850P-161
2-1	Gas Valve	7850P-034	10	O-Ring (P18)	7850P-047

Table 42 - 150 Model Combustion System Replacement Parts

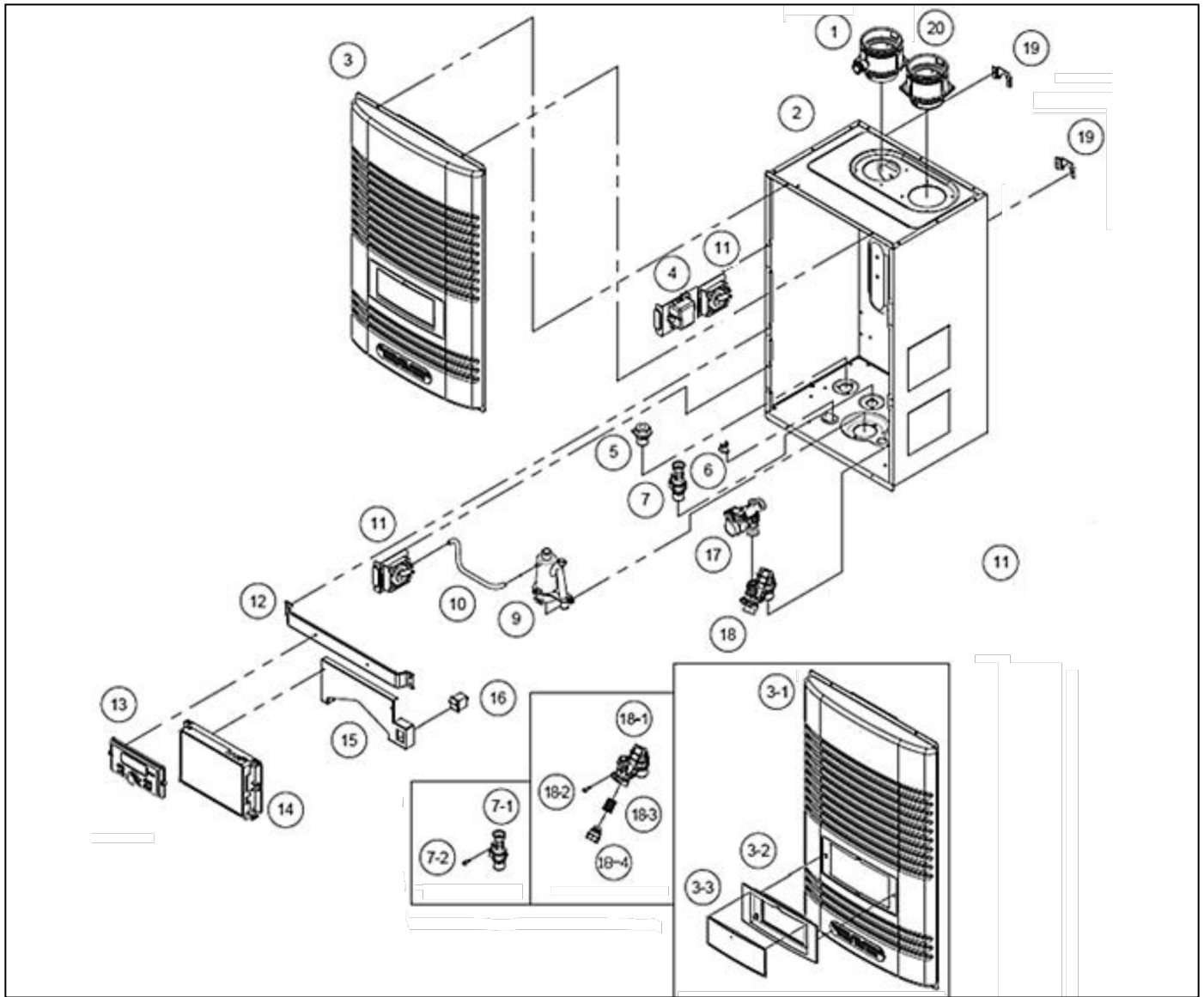


Figure 64 - 199 Model Cabinet Replacement Parts

NUMBER	DESCRIPTION	PART NUMBER	NUMBER	DESCRIPTION	PART NUMBER
1	Exhaust Assembly	7850P-021	11	Air Pressure Switch	7850P-047
2	Case	7850P-044	12	Display Bracket	7850P-065
3	Door Assembly	7850P-025	13	Display	7850P-057
3-1	Front Cover	7850P-062	14	PCB (Control Board)	7850P-058
3-2	Display Panel Bracket	7850P-024	15	Control Board Bracket	7850P-066
3-3	Display Panel	7850P-023	16	Rocker Switch	7850P-059
4	Ignition Transformer	7850P-045	17	Flow Control Valve	7850P-053
5	Gas Inlet Nipple	7850P-043	18	Water Inlet Valve Assembly	7850P-018
6	Overheat Sensor	7850P-050	18-1	Water Inlet Valve Body	7850P-067
7	DHW Supply Pipe Assembly	7850P-020	18-2	Water Inlet Sensor	7850P-015
7-1	DHW Supply Pipe	7850P-063	18-3	Water Inlet Filter	7850P-017
7-2	Water Outlet Sensor	7850P-019	18-4	Water Inlet Filter Cap	7850P-016
8	N/A	N/A	19	Case Bracket (Right or Left)	7850P-068
9	Siphon Assembly	7850P-014	20	Intake Air Assembly	7850P-022
10	Siphon Air Pressure Hose	7850P-064			

Table 43 - 199 Model Cabinet Replacement Parts

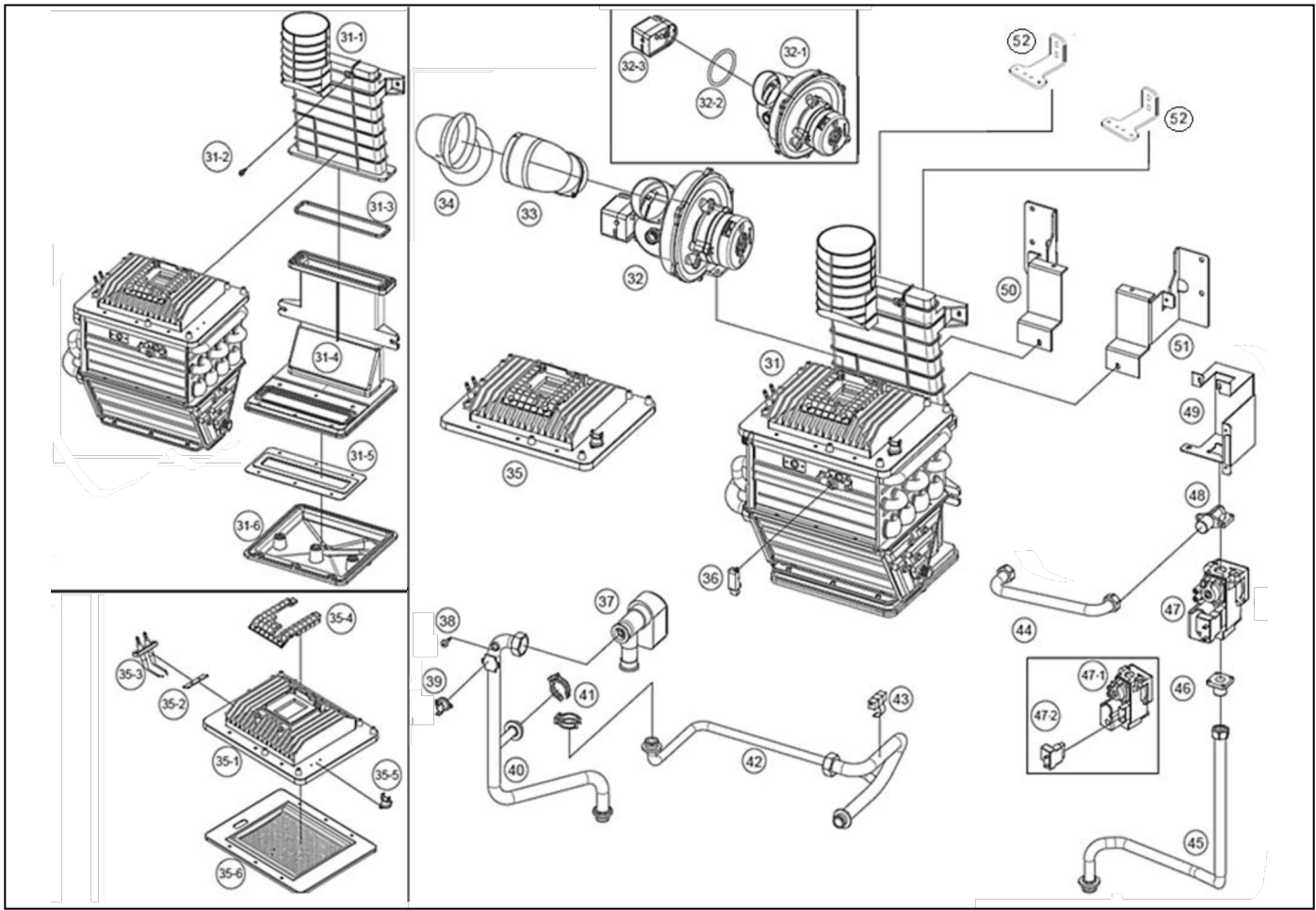


Figure 65 - 199 Model Heat Exchanger Replacement Parts

NUMBER	DESCRIPTION	PART NUMBER	NUMBER	DESCRIPTION	PART NUMBER
31	Heat Exchanger Assembly	7850P-032	36	Flame Detector Sensor	7850P-031
31-1	Exhaust Pipe Assembly (Upper)	7850P-033	37	Mixing Valve	7850P-054
31-2	Exhaust Temperature Sensor	7850P-070	38	HX Temperature Sensor	7850P-081
31-3	Exhaust Gasket 1	7850P-071	39	HX Overheat Switch	7850P-051
31-4	Exhaust Pipe Assembly (Down) w/ Condensate Collector Pan	7850P-034	40	DHW Outlet Pipe	7850P-049
31-5	Exhaust H/X Gasket	7850P-072	41	Water Piping Clip	7850P-055
31-6	N/A	N/A	42	DHW Inlet Pipe	7850P-048
32	Fan Assembly	7850P-006	43	Ceramic Heater	7850P-076
32-1	Fan	7850P-002	44	Gas Valve Pipe (Upper)	7855P-039
32-2	Blower O-Ring	7850P-003	45	Gas Valve Pipe (Lower)	7850P-040
32-3	AGM (Actuator)	7850P-004	46	Gas Valve Adapter (Straight)	7850P-077
33	Silencer Elbow	7850P-036	47	Gas Valve Assembly w/ Plug	7850P-078
34	Silencer Body	7850P-035	47-1	Gas Valve	7850P-012
35	Burner Assembly	7850P-011	47-2	Gas Valve Plug	7850P-013
35-1	Burner Head	7850P-007	48	Gas Valve Adapter (90 Degree)	7850P-079
35-2	Ignition Rod Bracket	7850P-010	49	Gas Valve Bracket	7850P-080
35-3	Ignition Rod	7850P-008	50	Bottom Heat Exchanger Brackets (Left)	7850P-028
35-4	Blower Head Bracket	7850P-074	51	Bottom Heat Exchanger Brackets (Right)	7850P-091
35-5	Overheat Sensor (Burner)	7850P-009	52	Top Heat Exchanger Brackets	7850P-082
35-6	Metal Fiber Assembly	7850P-075			

Table 44 - 199 Model Heat Exchanger Replacement Parts

Limited Warranty for Tankless Water Heaters

Westinghouse warrants this instantaneous water heater and its components to be free from defects in material and workmanship according to the following terms, conditions, and time periods. UNLESS OTHERWISE NOTED THESE WARRANTIES COMMENCE ON THE DATE OF INSTALLATION. This limited warranty is only available to the **original consumer purchaser** (hereinafter "Owner") of this water heater, and is non-transferable.

Residential Use Warranty
Twelve (12) years – Heat Exchanger, Five (5) Years – Components
Commercial Use Warranty
Five (5) years – Heat Exchanger, One (1) Year – Components
Use Definitions - Residential Heating means potable water heating a single family dwelling. This dwelling must be either: a) owned and resided in by the original purchaser; or b) a residential rental property that services a single dwelling in which the original purchaser resides on a permanent basis. Commercial Use refers to all other applications.

COVERAGE

- A. During the first year after the original date of installation, Westinghouse warrants that it will repair or replace, at its option, any defective or malfunctioning component of the water heater with a component of equivalent size and current model. Replacement components will be warranted for ninety (90) days.
- B. Should a defect or malfunction result in a leakage of water from the water heater within the above-stated warranty periods due to defective material or workmanship, malfunction, or failure to comply with the above warranty, with such defect or malfunction having been verified by an authorized Westinghouse representative, Westinghouse will replace the defective or malfunctioning water heater with a replacement of the nearest comparable model available at the time of replacement. The replacement water heater will be warranted for the unexpired portion of the applicable warranty period of the original water heater.
- C. In the event of a leakage of water of a replacement water heater due to defective material or workmanship, malfunction, or failure to comply with the above warranty, Westinghouse reserves the right to refund to the Owner the published wholesale price available at the date of manufacture of the original water heater.
- D. If government regulations, industry certification, or similar standards require the replacement water heater or component(s) to have features not found in the defective water heater or component(s), the Owner will be charged the difference in price represented by those required features. If the Owner pays the price difference for those required features and/or to upgrade the size and/or other features available on a new replacement water heater or component(s), the Owner will also receive a complete new limited warranty for that replacement water heater or component(s).
- E. If at the time of a request for service the Owner cannot provide a copy of the original sales receipt or the warranty registration, the warranty period for the water heater shall then be deemed to have commenced thirty (30) days after the date of manufacture of the water heater and NOT the date of installation of the water heater.
- F. This warranty extends only to water heaters utilized in heating applications that have been properly installed by qualified professionals based upon the manufacturer's installation instructions.
- G. It is expressly agreed between Westinghouse and the Owner that repair, replacement, or refund are the exclusive remedies of the Owner.
- H. Westinghouse will not accept claims from the Owner for labor costs incurred by any person as a result of the repair, replacement, removal, or reinstallation of a water heater or any component thereof.

OWNER RESPONSIBILITIES

The Owner or Qualified Installer / Service Technician must:

1. Have a relief valve bearing the listing marks of the American Society of Mechanical Engineers (ASME) installed with the water heater assembly in accordance with federal, state, and local codes.
2. Have a vacuum relief valve certified to ANSI Z21.22 - Relief Valves for Hot Water Supply Systems installed with the water heater assembly in accordance with federal, state, and local codes and in installations prone to vacuum related damages.
3. Maintain the water heater in accordance with the maintenance procedure listed in the manufacturer's provided instructions. Preventive maintenance can help avoid any unnecessary breakdown of the water heater and keep it running at optimum efficiency.
4. Maintain all related system components in good operating condition.
5. Use the water heater in an open system, or in a closed system with a properly sized and installed thermal expansion tank.
6. Use the water heater at water pressures not exceeding the working pressure shown on the rating plate.
7. Keep the water heater free of damaging scale deposits.
8. Make provisions so if the water heater or any component or connection thereto should leak, the resulting flow of water will not cause damage to the area in which it is installed.

WARRANTY EXCLUSIONS

This limited warranty will not cover:

1. Any water heater purchased from an unauthorized dealer.
2. Any water heater not installed by a qualified installer / service technician, or installations that do not conform to ANSI, CSA, and/or UL standards, as well as any applicable national or local building codes.
3. Service trips to teach the Owner how to install, use, maintain, or to bring the water heater installation into compliance with local building codes and regulations.
4. Failure to locate the water heater in an area where leakage of the water heater or water line connections and the relief valve will not result in damage to the area adjacent to the water heater or lower floors of the structure.
5. Any failed components of the system not manufactured by Westinghouse as part of the water heater.
6. Water heaters repaired or altered without the prior written approval of Westinghouse.
7. Damages, malfunctions, or failures resulting from failure to install the water heater in accordance with applicable building codes/ordinances or good plumbing and electrical trade practices.
8. Damages, malfunctions, or failures resulting from improper installation, failure to operate the water heater at firing rates or pressures not exceeding those on the rating plate, or failure to operate and maintain the water heater in accordance with the manufacturer's provided instructions.
9. Failure to operate the water heater in an open system, or in a closed system with a properly sized and installed thermal expansion tank.
10. Failure or performance problems caused by improper sizing of the water heater, expansion device, piping, or the gas supply line, the venting connection, combustion air openings, electric service voltage, wiring or fusing.
11. Damages, malfunctions, or failures caused by improper conversion from natural gas to LP gas or LP gas to natural gas.
12. Damages, malfunctions, or failures caused by operating the water heater with modified, altered, or unapproved components, or any component / attachment not supplied by Westinghouse.
13. Damages, malfunctions, or failures caused by abuse, accident, fire, flood, freeze, lightning, acts of God and the like.
14. Failures (leaks) caused by operating the water heater in a corrosive or contaminated atmosphere.
15. Damages, malfunctions, or failures caused by operating an empty

or partially empty water heater (“dry firing”), or failures caused by operating the water heater when it is not supplied with water, free to circulate at all times.

16. Any damage or failure of the water heater due to the accumulation of solid materials or lime deposits.

17. Any damage or failure resulting from improper water chemistry, or heating anything other than potable water. **DEFINITION OF POTABLE WATER** - Potable water is defined as drinkable water supplied from utility or well water in compliance with EPA secondary maximum contaminant levels (40 CFR Part 143.3) as shown in the table.

Contaminant	Level
Total Hardness (Residential Use - Below 140°F water temperature)	200 mg/l (12 grains/gallon)
Total Hardness (Commercial Use - Above 140°F water temperature)	120 mg/l (7 grains/gallon)
Aluminum	0.05 to 0.2 mg/l
Chloride	100 mg/l
Color	15 color units
Copper	1.0 mg/l
Corrosivity	Non-corrosive
Fluoride	2.0 mg/l
Foaming Agents	0.5 mg/l
Iron	0.3 mg/l
Manganese	0.05 mg/l
Odor	3 threshold odor number
pH	6.5 – 8.5
Silver	0.1 mg/l
Sulfate	250 mg/l
Total Dissolved Solids (TDS)	500 mg/l
Zinc	5 mg/l
Dissolved Carbon Dioxide (CO ₂)	15 mg/l or ppm

18. Any damages, malfunctions, or failures resulting from the use of dielectric unions.

19. Water heaters replaced for cosmetic reasons.

20. Components of the water heater that are not defective, but must be replaced during the warranty period as a result of reasonable wear and tear.

21. Components of the water heater that are subject to warranties, if any, given by their manufacturers; Westinghouse does not adopt these warranties.

22. Damages, malfunctions, or failures resulting from the use of any attachment(s) not supplied by Westinghouse.

23. Water heaters installed outside the fifty states (and the District of Columbia) of the United States of America and Canada.

24. Water heaters moved from the original installation location.

25. Water heaters that have had their rating labels removed.

26. Any labor charges incurred by any person in connection with the examination or replacement of a water heater or parts claimed by the Owner to be defective.

PROCEDURES FOR WARRANTY SERVICE REQUESTS

Any claim for warranty assistance must be made promptly. Determine if the water heater is “in-warranty” (that is, within the applicable warranty period) by reviewing a copy of the original sales receipt or warranty registration. The Owner must present a copy of the original

sales receipt or warranty registration for a warranty service request. If the water heater is “in-warranty”, contact the retailer from whom the water heater was purchased (or the installer) for assistance. Be prepared to provide the retailer or installer with a copy of the original receipt, complete model and serial numbers, and the date of installation of the water heater, in addition to an explanation of the water heater problem.

Warranty coverage is subject to validation of “in-warranty” coverage by Westinghouse claims department personnel. All alleged defective or malfunctioning components must be returned to Westinghouse via the local distribution channels where the original purchase was made. **NOTE: Any components or water heaters returned to Westinghouse for warranty analysis will become the property of Westinghouse and will not be returned, even if credit is denied.** If all warranty conditions are satisfied, Westinghouse will provide replacement components to the retailer.

For questions about the coverage of this warranty, please contact Westinghouse at the following phone number: 1-774-417-6000.

SERVICE, LABOR AND SHIPPING COSTS

This limited warranty does not extend to any shipping charges, delivery expenses, or administrative fees incurred by the Owner in repairing or replacing the water heater or component(s). This warranty does not extend to any labor costs incurred by any person as a result of the repair, replacement, removal, or reinstallation of a water heater or any component thereof. All such expenses are the Owner’s responsibility.

LIMITATIONS OF YOUR WESTINGHOUSE WARRANTY AND REMEDIES

THE FOREGOING WARRANTIES ARE EXCLUSIVE AND ARE GIVEN AND ACCEPTED TO THE FURTHEST EXTENT UNDER APPLICABLE LAW IN LIEU OF ANY AND ALL OTHER WARRANTIES, EXPRESS OR IMPLIED, INCLUDING WITHOUT LIMITATION THE IMPLIED WARRANTIES OF MERCHANTABILITY AND FITNESS FOR A PARTICULAR PURPOSE AND ANY OBLIGATION, LIABILITY, RIGHT, CLAIM OR REMEDY IN CONTRACT OR TORT, WHETHER OR NOT ARISING FROM WESTINGHOUSE’S NEGLIGENCE, ACTUAL OR IMPUTED. THE REMEDIES OF THE OWNER SHALL BE LIMITED TO THOSE PROVIDED HEREIN TO THE EXCLUSION OF ANY OTHER REMEDIES INCLUDING WITHOUT LIMITATION, INCIDENTAL OR CONSEQUENTIAL DAMAGES, SAID INCIDENTAL AND CONSEQUENTIAL DAMAGES INCLUDING, BUT NOT LIMITED TO, PROPERTY DAMAGE, LOST PROFIT OR DAMAGES ALLEGED TO HAVE BEEN CAUSED BY ANY FAILURE OF WESTINGHOUSE TO MEET ANY OBLIGATION UNDER THIS AGREEMENT INCLUDING THE OBLIGATION TO REPAIR AND REPLACE SET FORTH ABOVE. NO AGREEMENT VARYING OR EXTENDING THE FOREGOING WARRANTIES, REMEDIES OR THIS LIMITATION WILL BE BINDING UPON WESTINGHOUSE. UNLESS IN WRITING AND SIGNED BY A DULY AUTHORIZED OFFICER OF WESTINGHOUSE. THE WARRANTIES STATED HEREIN ARE NOT TRANSFERABLE AND SHALL BE FOR THE BENEFIT OF THE ORIGINAL OWNER ONLY.

NO OTHER WARRANTIES

This warranty gives the Owner specific legal rights. The Owner may also have other rights that vary from state to state. Some states do not allow the exclusion or limitation of incidental or consequential damages so this limitation or exclusion may not apply to the Owner. These are the only written warranties applicable to this water heater manufactured and sold by Westinghouse. Westinghouse neither assumes nor authorizes anyone to assume for it any other obligation or liability in connection with said water heaters.

Westinghouse reserves the right to change specifications or discontinue models without notice.

Customer Installation Record Form

The following form should be completed by the installer for you to keep as a record of the installation in case of a warranty claim. After reading the important notes at the bottom of the page, please also sign this document.

Customer's Name	
Date of Installation	
Installation Address	
Product Name / Serial Number(s)	
Comments	
Installer's Code / Name	
Installers Phone Number	
Signed by Installer	
Signed by Customer	
Installation Notes	

IMPORTANT

Customer: Please only sign after the installer has fully reviewed the installation, safety, proper operation, and maintenance of the system. If the system has any problems please call the installer. If you are unable to make contact, please call your sales representative.

Distributor / Dealer: Please insert contact details.