



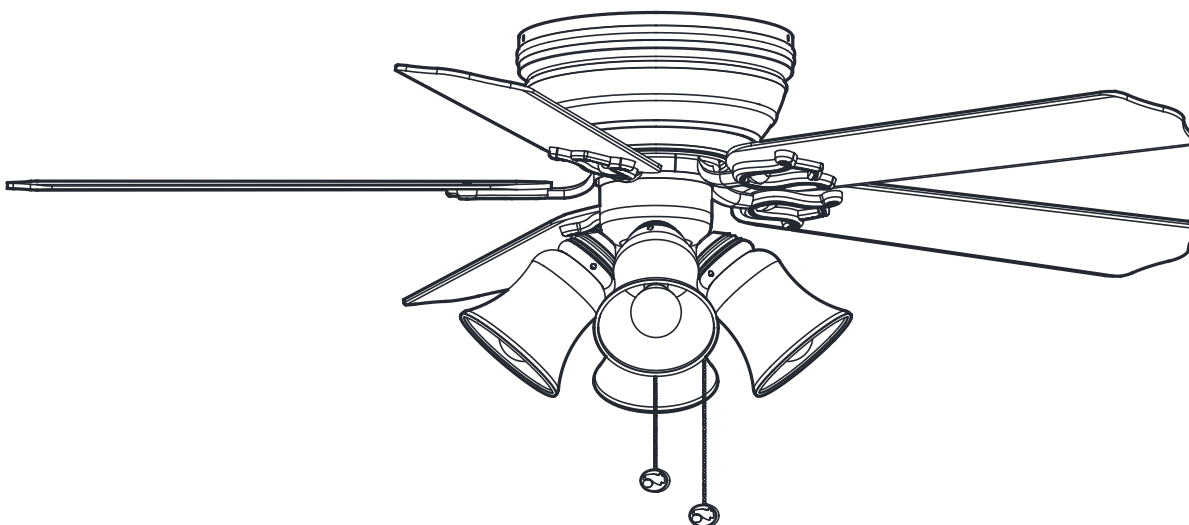
Item #762 333, 762 331, 762 329

Model #91110, 91111, 91108

UL Model #52-CL

USE AND CARE GUIDE

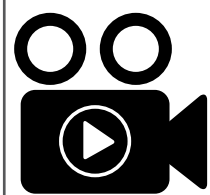
CARRIAGE HOUSE 52-INCH CEILING FAN



Questions, problems, missing parts? Before returning to the store,
call Hampton Bay Customer Service
8 a.m. - 7 p.m., EST, Monday - Friday, 9 a.m. - 6 p.m., EST, Saturday

1-855-HD-HAMPTON

HAMPTONBAY.COM



To view an instructional video on how to install this product:

1. Go to www.homedepot.com and enter either the Item or Model number, found in the top right corner of the cover of this instruction manual, in the search field.
2. Click on your product from the list of search results and click on the video link in the "Product Overview" section.

THANK YOU

We appreciate the trust and confidence you have placed in Hampton Bay through the purchase of this ceiling fan. We strive to continually create quality products designed to enhance your home. Visit us online to see our full line of products available for your home improvement needs.

Thank you for choosing Hampton Bay!

Table of Contents

Table of Contents	2	Assembly	7
Safety Information	2	Operation	11
Warranty	3	Care and Cleaning	12
Pre-Installation	3	Troubleshooting	12
Installation.....	6		

Safety Information

READ AND SAVE THESE INSTRUCTIONS

1. To reduce the risk of electric shock, ensure the electricity has been turned off at the circuit breaker or fuse box before you begin.
2. All wiring must be in accordance with the National Electrical Code ANSI/NFPA 70-1999 and local electrical codes. Electrical installation should be performed by a qualified licensed electrician.
3. The outlet box and support structure must be securely mounted and capable of reliably supporting 35 lbs. (15.9 kg). Use only UL Listed outlet boxes marked "Acceptable for Fan Support of 35 lbs. (15.9 kg) or less."
4. The fan must be mounted with a minimum of 7 ft (2.1 m) clearance from the trailing edge of the blades to the floor.
5. Do not operate the reversing switch while the fan blades are in motion. You must turn the fan off and stop the blades before you reverse the blade direction.
6. Do not place objects in the path of the blades.
7. To avoid personal injury or damage to the fan and other items, use caution when working around or cleaning the fan.
8. Electrical diagrams are for reference only. Light kits that are not packed with the fan must be UL listed and marked suitable for use with the model fan you are installing. Switches must be UL General Use Switches. Refer to the instructions packaged with the light kits and switches for proper assembly.
9. After making electrical connections, spliced conductors should be turned upward and pushed carefully up into the outlet box. The wires should be spread apart with the grounded conductor and the equipment-grounding conductor on one side of the outlet box.
10. All setscrews must be checked and retightened where necessary before installation.



WARNING: To reduce the risk of personal injury, do not bend the blade brackets (also referred to as flanges) during assembly or after installation. Do not insert objects in the path of the blades.



WARNING: To reduce the risk of fire or electric shock, do not use this fan with any solid-state speed control device.



WARNING: To reduce the risk of fire, electric shock or personal injury, mount to outlet box marked "Acceptable for fan support of 35 lbs. (15.9 kg) or less", and use screws provided with the outlet box.



WARNING: To avoid possible electrical shock, turn the electricity off at the main fuse box before wiring. If you feel you do not have enough electrical wiring knowledge or experience, contact a licensed electrician.



WARNING: Electrical diagrams are for reference only. Optional use of any light kit shall be UL-listed and marked suitable for use with this fan.



CAUTION: To reduce the risk of personal injury, use only the screws provided with the outlet box.



CAUTION: To avoid personal injury or damage to the fan and other items, use caution when working around or cleaning the fan.

Warranty

The supplier warrants the fan motor to be free from defects in workmanship and material present at time of shipment from the factory for a life-time after the date of purchase by the original purchaser. The supplier also warrants that all other fan parts, excluding any glass or acrylic blades, to be free from defects in workmanship and material at the time of shipment from the factory for a period of one year after the date of purchase by the original purchaser. We agree to correct such defects without charge or at our option replace with a comparable or superior model if the product is returned. To obtain warranty service, you must present a copy of the receipt as proof of purchase. All costs of removing and reinstalling the product are your responsibility. Damage to any part such as by accident or misuse or improper installation or by affixing any accessories, is not covered by this warranty. Because of varying climatic conditions this warranty does not cover any changes in brass finish, including rusting, pitting, corroding, tarnishing, or peeling. Brass finishes of this type give their longest useful life when protected from varying weather conditions. A certain amount of "wobble" is normal and should not be considered a defect. Servicing performed by unauthorized persons shall render the warranty invalid. There is no other express warranty. Hampton Bay hereby disclaims any and all warranties, including but not limited to those of merchantability and fitness for a particular purpose to the extent permitted by law. The duration of any implied warranty which cannot be disclaimed is limited to the time period as specified in the express warranty. Some states do not allow a limitation on how long an implied warranty lasts, so the above limitation may not apply to you. The retailer shall not be liable for incidental, consequential, or special damages arising out of or in connection with product use or performance except as may otherwise be accorded by law. Some states do not allow the exclusion of incidental or consequential damages, so the above exclusion or limitation may not apply to you. This warranty gives specific legal rights, and you may also have other rights which vary from state to state. This warranty supersedes all prior warranties. Shipping costs for any return of product as part of a claim on the warranty must be paid by the customer.

Contact the Customer Service Team at 1-855-HD-HAMPTON or visit www.HamptonBay.com.

Pre-Installation

SPECIFICATIONS

Size	Speed	Volts	Amps	Watts	RPM	CFM	Net Weight	Gross Weight	Cu. Ft.
52 in.	Low	120	0.25	15	70	1883	20.72 lbs. (9.4 kg)	23.58 lbs. (10.7 kg)	1.83 cu. ft.
	Medium		0.38	32	115	2848			
	High		0.54	62	170	4072			



NOTE: These are approximate measures. They do not include the amps and wattage used by the light kit.



TOOLS REQUIRED



Phillips screwdriver



Flat blade screwdriver



Adjustable wrench



Electrical tape



Wire cutter



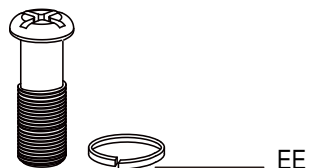
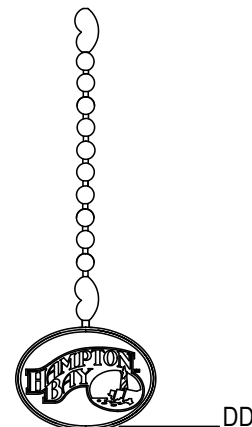
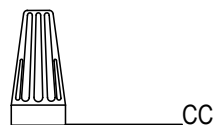
Step ladder

Pre-Installation (continued)

HARDWARE INCLUDED



NOTE: Hardware not shown to actual size.

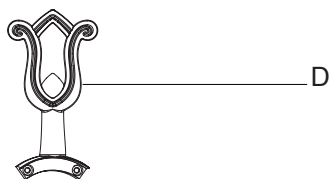
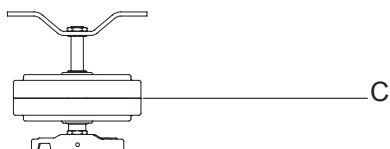
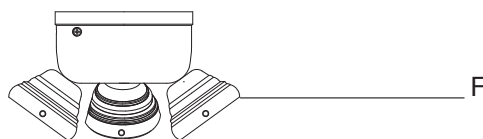
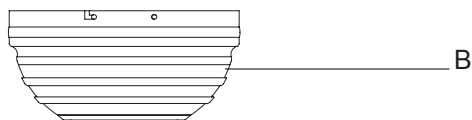
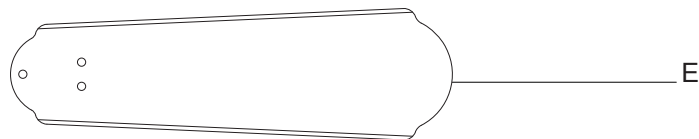
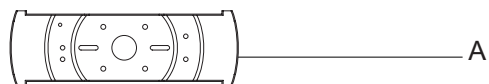


Part	Description	Quantity
AA	Blade attachment screw	16
BB	Locknut	3
CC	Plastic wire connector	3

Part	Description	Quantity
DD	Pull chain	2
EE	Extra blade bracket hardware (screw and lockwasher)	1

Pre-Installation (continued)

PACKAGE CONTENTS



Part	Description	Quantity
A	Mounting plate	1
B	Motor housing	1
C	Fan-motor assembly	1
D	Blade bracket (flange), screws pre-installed	5

Part	Description	Quantity
E	Blade	5
F	Light kit fitter assembly	1
G	Glass shade	4
H	LED bulbs (9.5-Watt maximum)	4



IMPORTANT: This product and/or components are governed by one or more of the following U.S. Patents: 5,947,436; 5,988,580; 6,010,110; 6,046,416, 6,210,117 and other patents pending.

Installation

MOUNTING OPTIONS

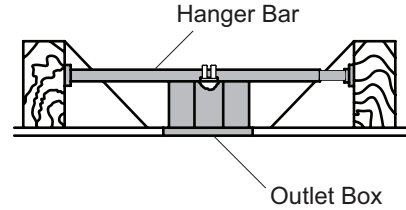
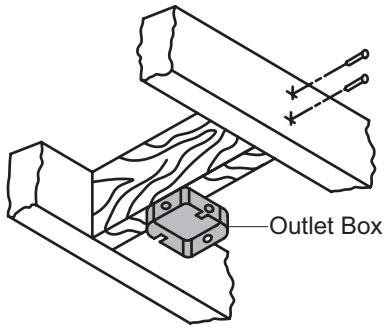


WARNING: To reduce the risk of fire, electric shock or personal injury, mount to outlet box marked "Acceptable for fan support of 35 lbs. (15.9 kg) or less", and use screws provided with the outlet box. An outlet box commonly used for the support of lighting fixtures may not be acceptable for fan support and may need to be replaced. If in doubt, consult a qualified electrician.

If your ceiling fan does not have an existing UL-listed mounting box, then install one using the following instructions:

- Disconnect the power by removing the fuses or turning off the circuit breakers.
- Secure the outlet box directly to the building structure. Use the appropriate fasteners and materials. The outlet box and support structure must be securely mounted and capable of reliably supporting 35 lbs. (15.9 kg). Use only UL Listed outlet boxes marked "Acceptable for Fan Support of 35 lbs. (15.9 kg) or less." Do not use a plastic outlet box.

The illustrations below show two different ways to mount the outlet box.



To hang your fan where there is an existing fixture but no ceiling joist, you may need an installation hanger bar as shown above (available at any Home Depot store).

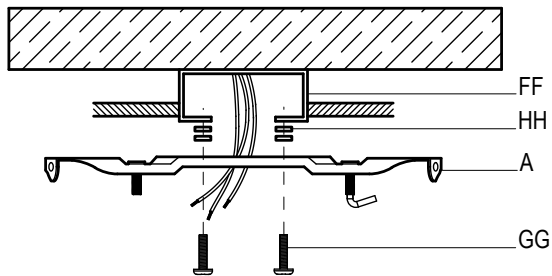
Assembly - Hanging the Fan

1 Attaching the fan to the electrical box



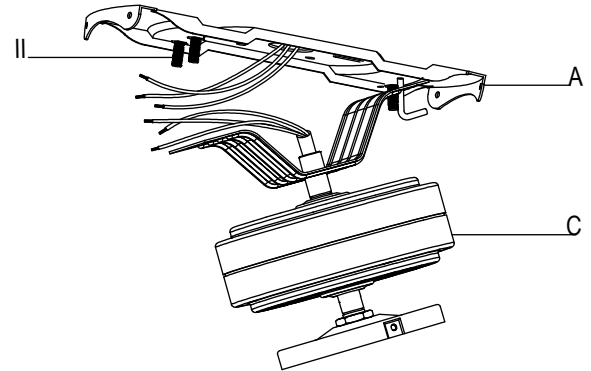
NOTE: For better fan performance, make sure the mounting plate is level. Additional washers (HH) (not included) may be needed to insert between the outlet box and mounting plate.

- Turn the power off.
- Securely attach the mounting plate (A) to the outlet box (FF) using the two screws (GG) supplied with the outlet box (FF). Pull the 120-volt supply wires (the black, white and ground wires) out of the outlet box (FF) and through the hole in the mounting plate (A) and lay them to the side.

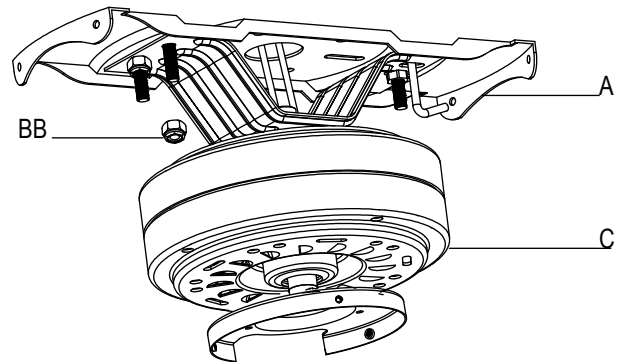


2 Hanging the fan-motor assembly

- Carefully lift the fan-motor assembly (C) and engage the slot in the motor bracket on the top of the fan-motor assembly (C) with the hook on the mounting plate (A) so that it is securely suspended. Then connect the wiring to your fan according to step 3 "Making the Electrical Connections".



- Once wiring is completed, lift the motor bracket on the top of the fan-motor assembly (C) so that the threaded studs (II) on the mounting plate (A) protrude through the slot in the motor bracket. Securely tighten the three locknuts (BB) onto the threaded studs (II), then try to shake the fan-motor assembly (C) to ensure that the assembly is tight.



Assembly - Hanging the Fan (continued)

3 Making the electrical connection

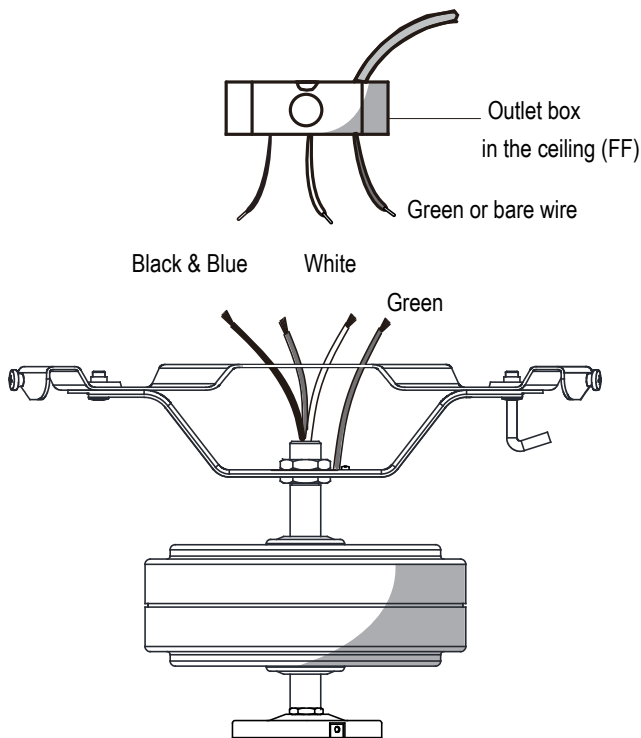


WARNING: Each wire nut supplied with this fan is designed to accept up to one 12-gauge house wire and two wires from the fan. If you have larger than 12-gauge house wiring or more than one house wire to connect to the fan wiring, consult an electrician for the proper size wire nuts to use.



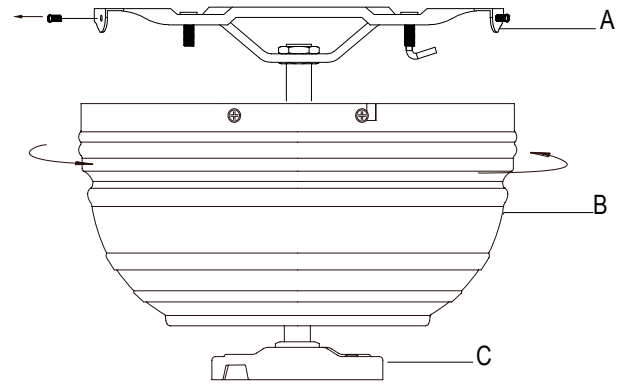
IMPORTANT: Use the plastic wire connectors (CC) supplied with your fan. Secure the connectors with electrical tape and ensure there are no loose strands or connections.

- Connect the fan motor green wires to the household green or bare wire using a wire connecting nut (CC).
- Connect the fan motor white wire to the household white wire using a wire connecting nut (CC).
- Connect the fan motor black and blue wires to the household black wire using a wire connecting nut (CC).
- Secure each wire connecting nut (CC) using electrical tape.
- Turn the wire connecting nut (CC) upward and push the wiring into the outlet box (FF).



4 Completing the fan assembly

- Remove the two screws on two diagonal sides from the top of the mounting plate (A) and loosen the other two screws.
- Align the two key slots on the top of the motor housing (B) with the two screws on the mounting plate (A). Push the motor housing (B) up and turn it clockwise to lock in the mounting plate (A). Tighten the two screws.
- Install the two screws that were removed at the beginning of this step into the remaining two holes and tighten the four screws firmly.



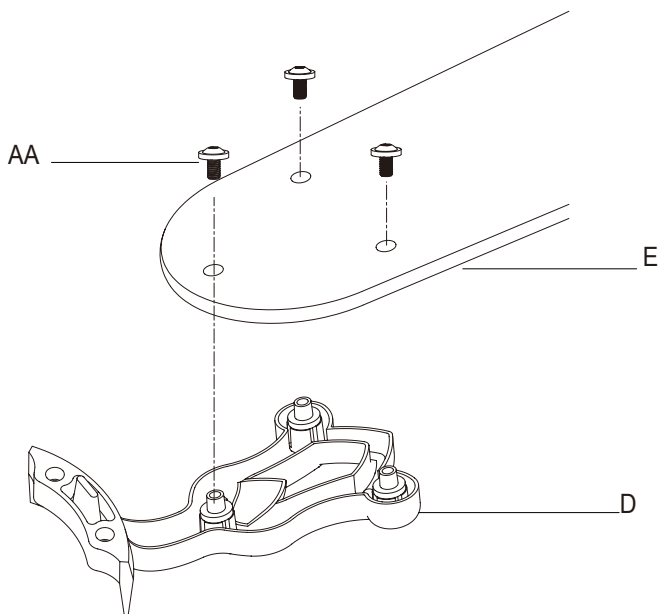
Assembly - Attaching the Fan Blades and Brackets

5 Attaching the blades to the blade brackets



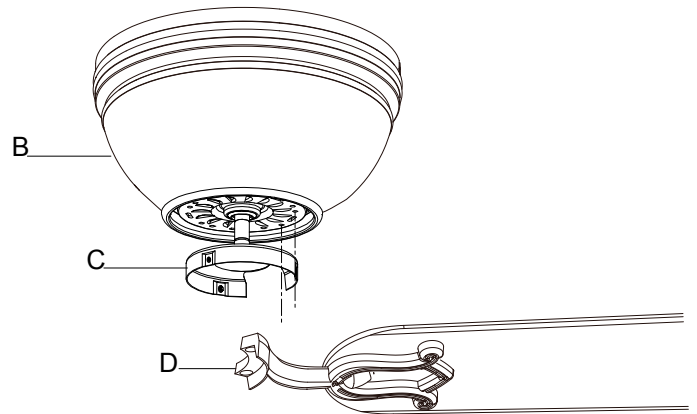
NOTE: Your fan blades are reversible. Select the blade side finish which best accentuates your decor.

- Attach a blade (E) to a blade bracket (D) by inserting the blade attachment screws (AA) into the holes in the blade (E) and through the blade bracket. The rubber washers are preattached to the blade bracket.
- Tighten each screw securely.
- Repeat these steps for each blade (E) and blade bracket (D).



6 Fastening the blade assemblies to the motor

- Fasten the blade assembly to the fan-motor assembly (C) by inserting the alignment post into the slot on the bottom of the motor and tightening the blade bracket (D) screws. The blade bracket screws are pre-installed into the blade bracket (D).
- Repeat this step for the remaining blade assemblies.



Assembly - Attaching the Light Kit Fitter Assembly

7 Attaching the light kit fitter assembly

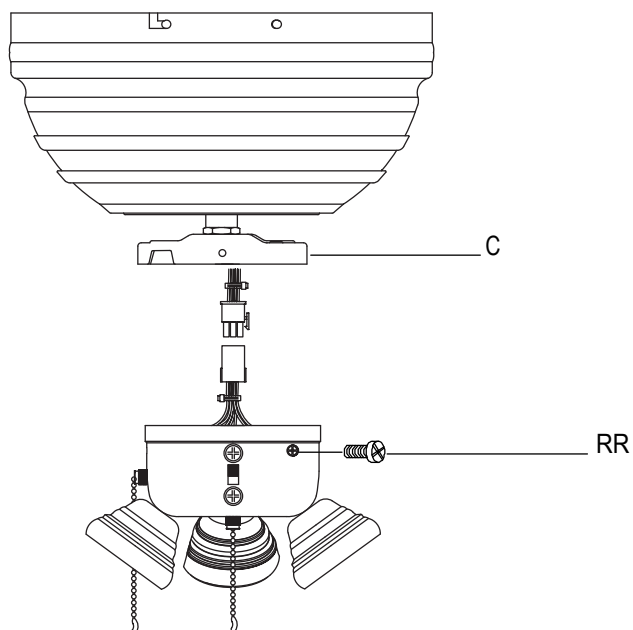


IMPORTANT: It is critical to attach the light kit using the quick connector. The fan will not operate unless the light kit is connected to the fan.



CAUTION: To reduce the risk of electric shock, disconnect the electrical supply circuit to the fan before installing the light kit.

- Remove the three screws (RR) on the black bracket below the fan-motor assembly (C).
- Connect the wires from the light kit fitter assembly (F) to the wires from the black bracket below the fan-motor assembly (C) by connecting the molded adaptor plugs together.
- Carefully tuck all wires and splices in the switch cup.
- Position the switch cup of the light kit fitter assembly (F) on the black bracket below the fan-motor assembly (C) and align the three holes in the black bracket.
- Re-install the three screws removed at the beginning of this step to secure the light kit fitter assembly (F).



8 Installing the glass shades and bulbs

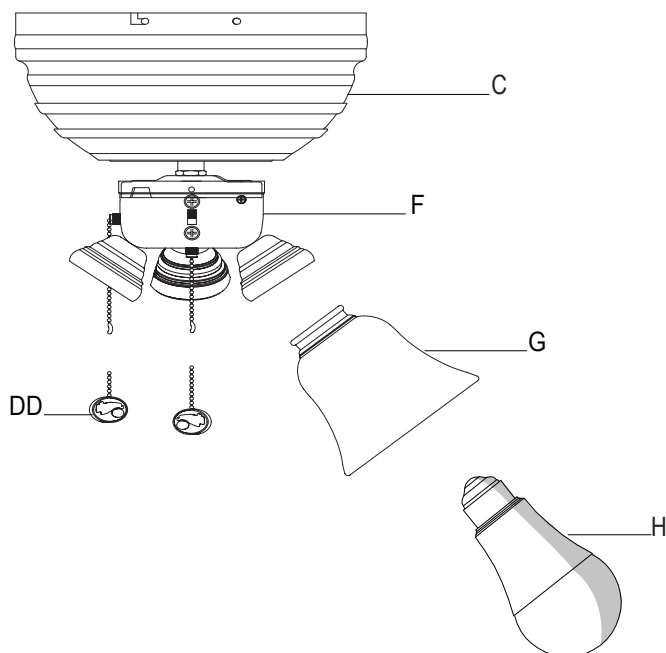


WARNING: Allow the glass shades to cool completely before removing.



CAUTION: Make sure the power is off before attaching or removing the glass shades.

- Loosen, but do not remove, the three knurled screws on the glass shade holder.
- Slide the glass shade (G) into the glass shade holder, then finger tighten the knurled screws until the three screws touch the glass shade (G) and hold it in place.
- With the power off, screw the light bulbs (H) into the light sockets, Max. 9.5W.
- Attach the pull chain extensions (DD) to the light pull chain and the fan pull chain.



Operation

Turn on the power and check the operation of the fan. The pull chain controls the fan speeds as follows:

1 pull - High, 2 pulls - Medium, 3 pulls - Low, 4 pulls - off

The appropriate speed settings for warm or cool weather depends on factors such as the room size, ceiling height, and number of fans.

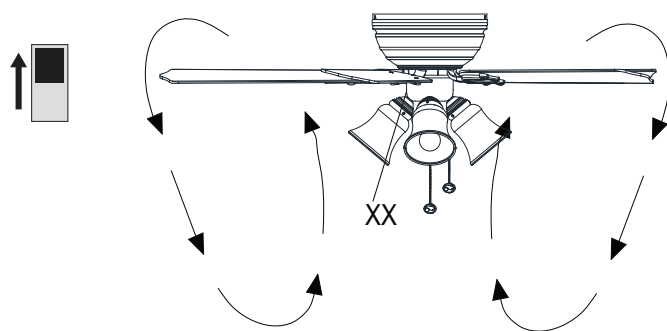
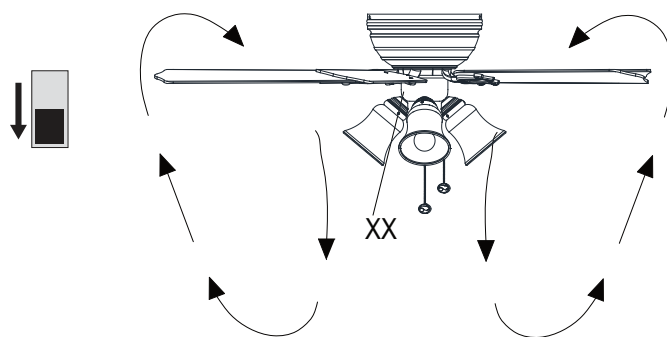
The slide switch (XX) controls the direction of the blades: forward (switch down) or reverse (switch up).



NOTE: Wait for the fan to stop before reversing the direction of the blade rotation.

Warm weather - (Forward) A downward airflow creates a cooling effect. This allows you to set your air conditioner on a warmer setting without affecting your comfort.

Cool weather - (Reverse) An upward airflow moves warm air off of the ceiling. This allows you to set your heating unit on a cooler setting without affecting your comfort.



Care and Cleaning



WARNING: Make sure the power is off before cleaning your fan.

- Because of the fan's natural movement, some connections may become loose. Check the support connections, brackets, and blade attachments twice a year. Make sure they are secure. It is not necessary to remove the fan from the ceiling.
- Clean your fan periodically to help maintain its new appearance over the years. Do not use water when cleaning, as this could damage the motor, or the wood, or possibly cause an electrical shock. Use only a soft brush or lint-free cloth to avoid scratching the finish. The plating is sealed with a lacquer to minimize discoloration or tarnishing.
- You can apply a light coat of furniture polish to the wood for additional protection and enhanced beauty. Cover small scratches with a light application of shoe polish.
- You do not need to oil your fan. The motor has permanently-lubricated sealed ball bearings.

Troubleshooting

Problem	Solution
The fan will not start.	<ul style="list-style-type: none">□ Check the main and branch circuit fuses or breakers.□ Check the line wire connections to the fan and switch wire connections in the switch housing.
The fan is noisy.	<ul style="list-style-type: none">□ Ensure all motor housing screws are snug.□ Ensure the screws that attach the fan blade bracket to the motor hub are tight.□ Ensure the wire nut connections are not rattling against each other or the interior wall of the switch housing.□ Allow a 24-hour "breaking in" period. Most noises associated with a new fan disappear during this time.□ Ensure your outlet box is secure and rubber isolator pads were used between the mounting plate and outlet box.
The fan wobbles.	<ul style="list-style-type: none">□ Check that all blade and blade arm screws are secure.□ Most fan wobble problems are caused when blade levels are unequal. Check this level by selecting a point on the ceiling above the tip of one of the blades. Measure from a point on the center of the blade to the point on the ceiling. Rotate the fan until the next blade is positioned for measurement, and measure from the same point on each blade to the ceiling. Repeat for each blade. Any measurement deviation should be within 1/8 in. Run the fan for ten minutes.



Questions, problems, missing parts? Before returning to the store,
call Hampton Bay Customer Service
8 a.m. - 7 p.m., EST, Monday - Friday, 9 a.m. - 6 p.m., EST, Saturday

1-855-HD-HAMPTON

HAMPTONBAY.COM

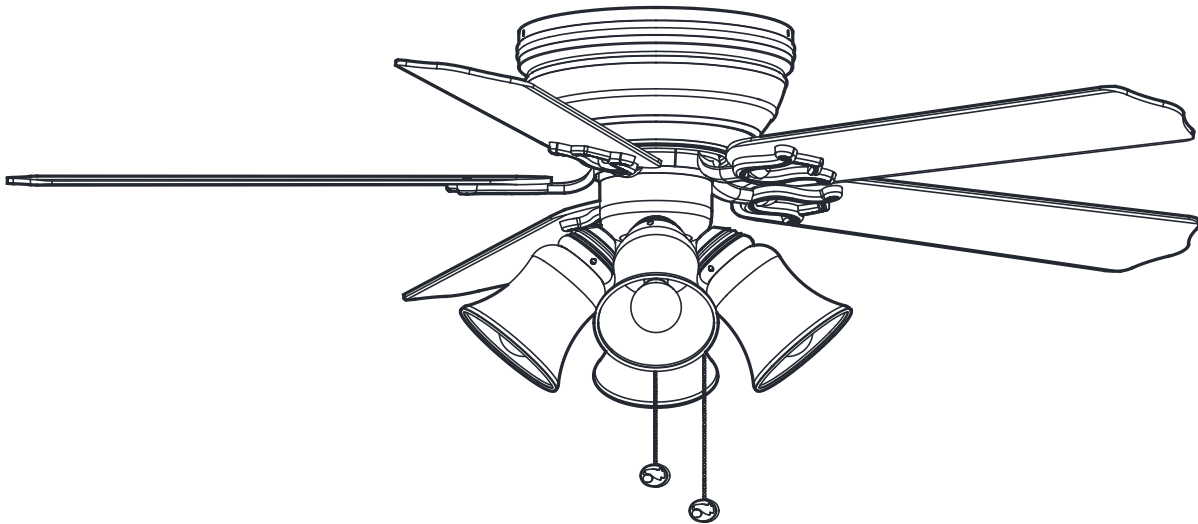
Retain this manual for future use.



Artículos #762 333, 762 331, 762 329
Modelos #91110, 91111, 91108
Modelo #52-CL aprobado por UL

GUÍA DE USO Y MANTENIMIENTO

VENTILADOR DE TECHO CARRIAGE HOUSE, DE 1.3 M



¿Preguntas, problemas o piezas faltantes? Antes de devolver a la tienda,
llama al servicio al cliente de Hampton Bay
entre 8:00 a.m. y 7:00 p.m. (Este), de lunes a viernes, y los sábados de 9:00 a.m. a 6:00 p.m. (Este).

1-855-HD-HAMPTON

HAMPTONBAY.COM



Para ver un video instructivo sobre cómo instalar este producto:

1. Visita www.homedepot.com e ingresa en el campo de búsqueda el número de modelo o artículo, que aparece en la esquina superior derecha de la portada de este manual de instrucciones.
2. Haz clic sobre tu producto en la lista de resultados de la búsqueda y sobre el enlace de video en la sección "Información general del producto".

GRACIAS POR TU COMPRA

Apreciamos la confianza que has depositado en Hampton Bay al comprar este ventilador de techo. Nos esforzamos continuamente en crear productos de calidad diseñados para mejorar tu hogar. Visítanos por Internet para ver nuestra línea completa de productos disponibles a fin de satisfacer tus necesidades de mejoras del hogar.

¡Gracias por elegir Hampton Bay!

Tabla de contenido

Tabla de contenido	2	Ensamblaje.....	7
Información de seguridad.....	2	Funcionamiento	11
Garantía	3	Mantenimiento y limpieza.....	12
Preinstalación	3	Solución de problemas	12
Instalación.....	6		

Información de seguridad

LEE Y GUARDA ESTAS INSTRUCCIONES

1. Para disminuir el riesgo de descarga eléctrica, asegure cortar la electricidad en el cortacircuitos o la caja de fusibles antes de comenzar.
2. Todo el cableado debe cumplir con el Código Nacional de Electricidad ANSI/NFPA 70-1999 y con los códigos locales de electricidad. La instalación eléctrica debe hacerse por un electricista con licencia y calificado.
3. La caja eléctrica y estructura de soporte tienen que montarse de forma segura para poder sostener con confianza 35 lb (15.9 kg). Usa solo cajas eléctricas aprobadas por UL y marcadas como “apropiadas para sostener ventiladores de 35 lb (15.9 kg) o menos”.
4. El ventilador tiene que montarse con separación mínima de 7 pies (2.1 m) entre el borde de salida de las aspas y el piso.
5. No uses el interruptor de reversa mientras las aspas del ventilador estén en movimiento. Tienes que apagar el ventilador y detener las aspas antes de invertir su sentido de giro.
6. No coloques objetos en la trayectoria de las aspas.
7. Para evitar lesiones físicas o daños al ventilador y otros artículos, ten cuidado al limpiarlo o al trabajar cerca de él.
8. Los diagramas eléctricos son sólo para referencia. Los kits de luces no empaquetados con el ventilador tienen que estar aprobados por UL y marcados como apropiados para usar con el modelo de ventilador que estás instalando. Los interruptores tienen que estar clasificados de uso general por UL. Para ensamblar bien, consulta las instrucciones adjuntas a los kits de luces e interruptores.
9. Después de concluir las conexiones eléctricas, debes voltear los conductores empalmados hacia arriba y meterlos con cuidado en la caja eléctrica. Los cables deben estar separados con el cable a tierra y el conductor a tierra del equipo a un lado de la caja eléctrica.
10. Antes de la instalación, todos los tornillos de fijación deben comprobarse y reajustarse donde sea necesario.



ADVERTENCIA: Para reducir el riesgo de lesiones personales, no dobles los soportes de las aspas (también llamados “bridas”) durante el ensamblaje ni después de la instalación. No coloques objetos en la trayectoria de las aspas.



ADVERTENCIA: Para reducir el riesgo de incendio o descarga eléctrica, no utilices este ventilador con ningún dispositivo de estado sólido para control de velocidad.



ADVERTENCIA: Para reducir el riesgo de incendio, descarga eléctrica o lesiones personales, instala solo en una caja eléctrica clasificada como “apropiada para sostener ventiladores de 35 lb (15.9 kg) o menos” y usa los tornillos que vienen con esta.



ADVERTENCIA: Para evitar una posible descarga eléctrica, corta la energía eléctrica en la caja principal de fusibles antes de cablear. Si crees que no tienes suficiente experiencia o conocimientos sobre cableado eléctrico, contrata a un electricista con licencia.



ADVERTENCIA: Los diagramas eléctricos son sólo para referencia. Cualquier juego de luces opcional estará aprobado por UL y marcado como adecuado para usar con este ventilador.



PRECAUCIÓN: Para reducir el riesgo de lesiones personales, usa solo los tornillos incluidos con la caja eléctrica.



PRECAUCIÓN: Para evitar lesiones físicas o daños al ventilador y otros artículos, ten cuidado al limpiarlo o al trabajar cerca de él.

Garantía

El proveedor garantiza de por vida, a partir de la fecha de adquisición por el comprador original, que el motor del ventilador no presenta defectos de fabricación ni de materiales al momento del envío desde la fábrica. El proveedor también garantiza, por un año a partir de la fecha de adquisición por el comprador original, que ninguna de las demás piezas del ventilador, sin incluir las aspas de vidrio o acrílico, presenta defectos de fabricación ni de materiales al momento del envío desde la fábrica. Si el producto es devuelto, aceptamos reparar sus defectos sin cargo alguno o, a nuestra discreción, reemplazarlo por un modelo similar o superior. Para obtener servicio de garantía tienes que presentar una copia del recibo como comprobante de compra. Todos los costos de retiro y reinstalación del producto correrán por tu cuenta. No están cubiertos bajo esta garantía los daños a ninguna de las piezas como resultado de accidentes, instalación o uso incorrectos ni por instalación de cualquier accesorio. Puesto que las condiciones climáticas pueden variar, esta garantía no cubre ningún cambio del acabado en latón, como óxido, perforación, corrosión, manchas o descascamiento. Este tipo de acabados en latón alargan la vida útil al proteger contra las condiciones climáticas cambiantes. Cierta "oscilación" es normal y no debe considerarse un defecto. Cualquier servicio prestado por personal no autorizado invalidará la garantía. No hay ninguna otra garantía expresa. Por este medio Hampton Bay se exime de toda garantía, incluyendo, pero sin limitarse a, aquellas de comercialización e idoneidad para un fin particular, en el alcance permitido por la ley. La duración de cualquier garantía implícita que no pueda exonerarse se limita al período especificado en la garantía explícita. Algunos estados no permiten limitar la duración de la garantía, así que la limitación anterior pudiera no aplicarse a su caso. El minorista no será responsable por daños directos, indirectos o especiales que resulten o deriven del uso o funcionamiento del producto, excepto en los casos estipulados de otro modo por la ley. Algunos estados no permiten excluir ni limitar daños directos o indirectos, así que la limitación o exclusión anterior pudiera no aplicarse a su caso. Esta garantía otorga derechos legales específicos y es posible que usted tenga también otros derechos, que varían de un estado a otro. Esta garantía sustituye todas las anteriores. Los costos de envío en cualquier devolución de productos como parte de una reclamación de garantía corren por cuenta del cliente.

Comuníquese con el equipo de servicio al cliente por el teléfono 1-855-HD-HAMPTON o visite www.HamptonBay.com.

Preinstalación

ESPECIFICACIONES

Tamaño	Velocidad	Voltios	Amperios	Vatios	RPM	CFM	Peso neto	Peso bruto	Pies cúbicos
1.3 m	Baja	120	0.25	15	70	1883	20.72 lb (9.4 kg)	23.58 lb (10.7 kg)	1.83 pies ³
	Media		0.38	32	115	2848			
	Alta		0.54	62	170	4072			



NOTA: Estas medidas son aproximadas. No se incluyen ni el amperaje ni el vataje consumidos por el kit de luces.



HERRAMIENTAS NECESARIAS



Destornillador
Phillips



Destornillador
plano



Llave
ajustable



Cinta de
electricista



Cortacables



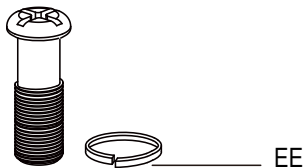
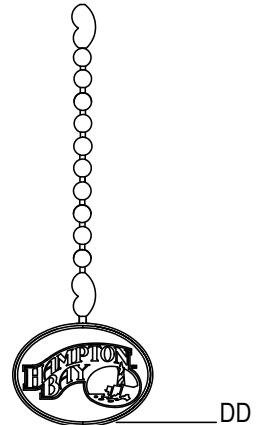
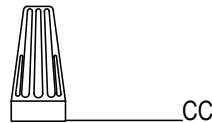
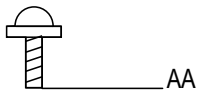
Escalera de tijera

Preinstalación (continuación)

SE INCLUYEN LOS HERRAJES



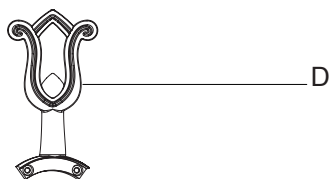
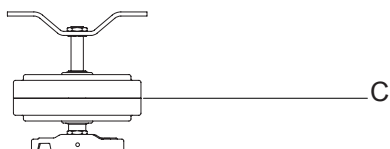
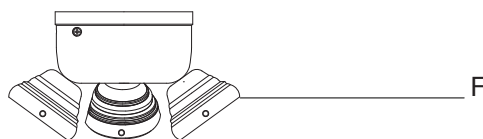
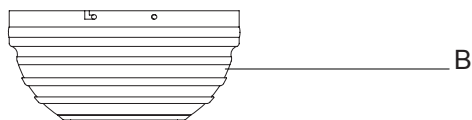
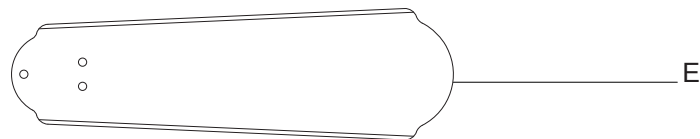
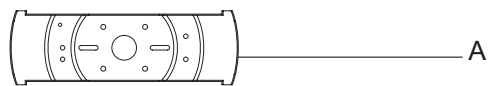
NOTA: Los herrajes no se muestran en tamaño real.



Pieza	Descripción	Cantidad
AA	Tornillo para montar aspas	16
BB	Contratuerca	3
CC	Conector plástico para cables	3

Pieza	Descripción	Cantidad
DD	Interruptor de cadena	2
EE	Herrajes adicionales para sujetar aspas (tornillo y arandela de seguridad)	1

CONTENIDO DEL PAQUETE



Pieza	Descripción	Cantidad
A	Placa de montaje	1
B	Carcasa del motor	1
C	Conjunto motor-ventilador	1
D	Soporte del aspa (brida), tornillos preinstalados	5

Pieza	Descripción	Cantidad
E	Aspa	5
F	Ensamblaje del soporte del kit de luces	1
G	Pantalla de vidrio	4
H	Bombillas LED (9.5 W como máximo)	4



IMPORTANTE: Este producto o sus componentes se rigen por una o más de las siguientes patentes de los EE. UU.: 5,947,436; 5,988,580; 6,010,110; 6,046,416, 6,210,117, así como otras patentes pendientes.

OPCIONES DE MONTAJE

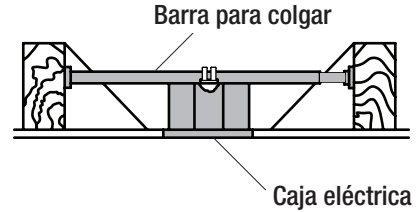


ADVERTENCIA: Para reducir el riesgo de incendio, descarga eléctrica o lesiones personales, instala solo en una caja eléctrica clasificada como “apropiada para sostener ventiladores de 35 lb (15.9 kg) o menos” y usa los tornillos que vienen con esta. Las cajas eléctricas utilizadas comúnmente para el soporte de lámparas pudieran no servir como soporte de ventilador y tal vez deban reemplazarse. En caso de duda, consulta a un electricista calificado.

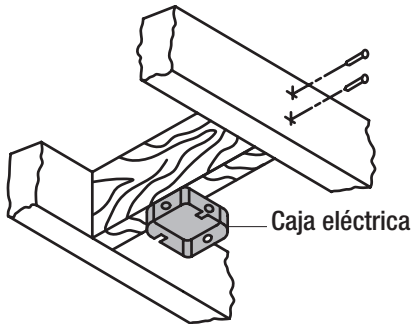
Si tu ventilador de techo no tiene una caja de montaje aprobada por UL, instala una siguiendo las instrucciones a continuación:

- Desconecta la energía retirando los fusibles o apagando los cortacircuitos.
- Asegura la caja eléctrica directamente a la estructura de la edificación. Usa sujetadores y materiales apropiados. La caja eléctrica y estructura de soporte tienen que montarse de forma segura para poder sostener con confianza 35 lb (15.9 kg). Usa solo cajas eléctricas aprobadas por UL y marcadas como “apropiadas para sostener ventiladores de 35 lb (15.9 kg) o menos”. No uses una caja eléctrica de plástico.

Las ilustraciones a continuación muestran dos maneras diferentes de montar la caja eléctrica.



Para colgar el ventilador donde haya una lámpara, pero ninguna viga de techo, tal vez necesites una barra colgante como se muestra más arriba (disponible en cualquier tienda de The Home Depot).

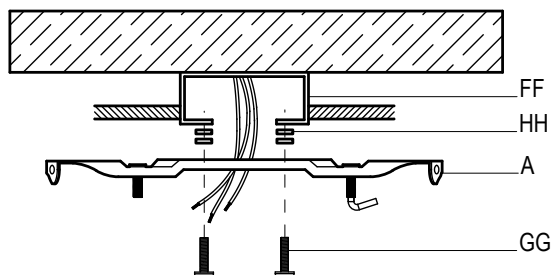


1 Cómo fijar el ventilador a la caja eléctrica



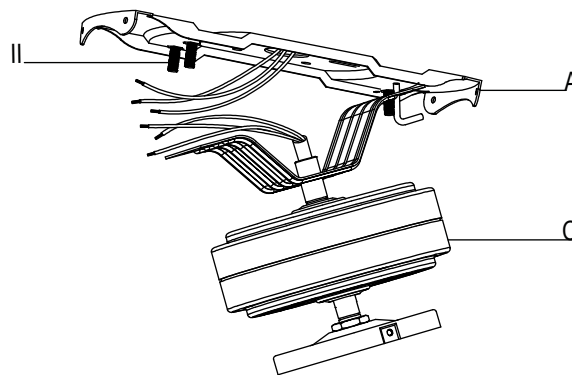
NOTA: Asegúrate de que la placa de montaje esté nivelada para garantizar mejor funcionamiento del ventilador. Pueden necesitarse arandelas adicionales (HH) (no incluidas) para insertar entre la caja eléctrica y la placa de montaje.

- Corta la electricidad.
- Fija la placa de montaje (A) firmemente a la caja eléctrica (FF) usando los dos tornillos (GG) incluidos con esta (FF). Saca los cables de alimentación de 120 V (negro, blanco y a tierra) fuera de la caja eléctrica (FF) y a través del orificio en la placa de montaje (A); ponlos a un lado.

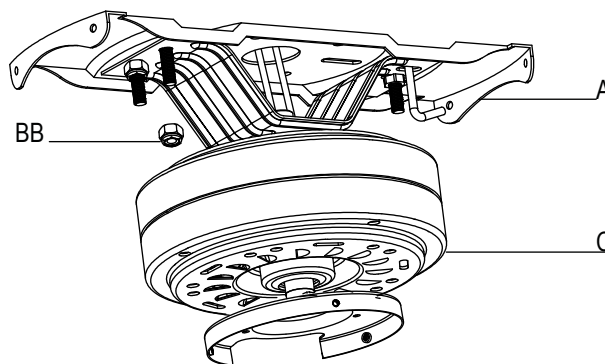


2 Cómo colgar el conjunto motor-ventilador

- Con cuidado alza el conjunto motor-ventilador (C) y engancha la ranura del soporte del motor en la parte superior del conjunto (C) con el gancho de la placa de montaje (A), para que quede suspendido de forma segura. Enseguida conecta el cableado a tu ventilador según indica el paso 3 "Cómo hacer las conexiones eléctricas".



- Una vez finalizado el cableado, alza el soporte del motor sobre la superficie del conjunto motor-ventilador (C) para que los pernos roscados (II) en la placa de montaje (A) sobresalgan por la ranura en el soporte del motor. Aprieta firmemente las tres contratuercas (BB) en los pernos roscados (II) y trata de mover el conjunto motor-ventilador (C) para asegurarte de que el ensamblaje está bien ajustado.



3 Cómo hacer las conexiones eléctricas

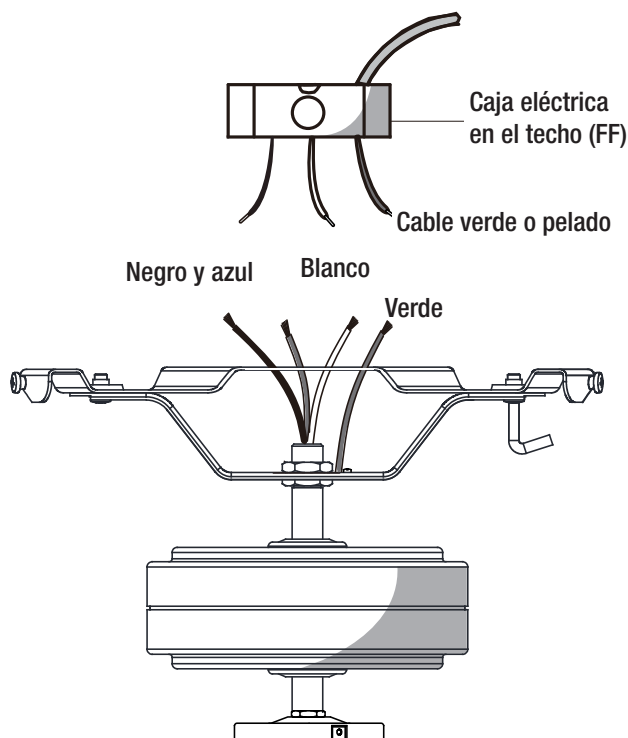


ADVERTENCIA: Cada tuerca para cable suministrada con este ventilador está diseñada para aceptar hasta un cable doméstico de calibre 12 o menor y dos cables del ventilador. Si tu cableado doméstico tiene calibre mayor de 12, o más de un cable para conectar al cableado del ventilador, consulta a un electricista para saber el tamaño adecuado de las tuercas a usar para los cables.



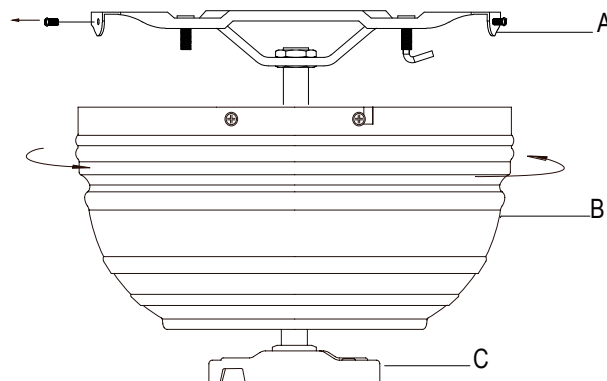
IMPORTANTE: Usa los conectores de cables plásticos (CC) incluidos con tu ventilador. Sujeta los conectores con cinta de electricista y asegura que no haya conexiones ni cables sueltos.

- Conecta los cables verdes del motor del ventilador a los cables verde o pelado del hogar usando una tuerca de conexión de cables (CC).
- Conecta el cable blanco del motor del ventilador al cable blanco del hogar usando una tuerca de conexión de cables (CC).
- Conecta los cables negro o azul del motor del ventilador al cable negro del hogar usando una tuerca de conexión de cables (CC).
- Asegura cada tuerca de conexión de cables (CC) con cinta de electricista.
- Gira la tuerca de conexión de cables (CC) hacia arriba y coloca el cableado dentro de la caja eléctrica (FF).



4 Cómo completar el ensamblaje del ventilador

- Quita los dos tornillos en dos extremos en diagonal desde la parte superior de la placa de montaje (A) y afloja los otros dos.
- Alinea las dos ranuras en forma de ojo de llave en la parte superior de la carcasa del motor (B) con los dos tornillos en la placa de montaje (A). Presiona la carcasa de motor (B) hacia arriba y gírala de izquierda a derecha para trazarla en la placa de montaje (A). Aprieta los dos tornillos.
- Instala los dos tornillos retirados al inicio de este paso en los dos orificios libres y aprieta firmemente los cuatro tornillos.

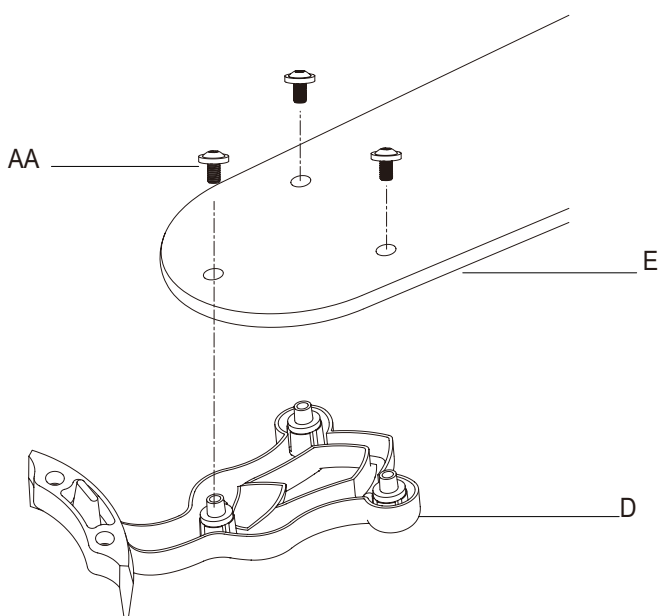


5 Cómo fijar las aspas a sus soportes



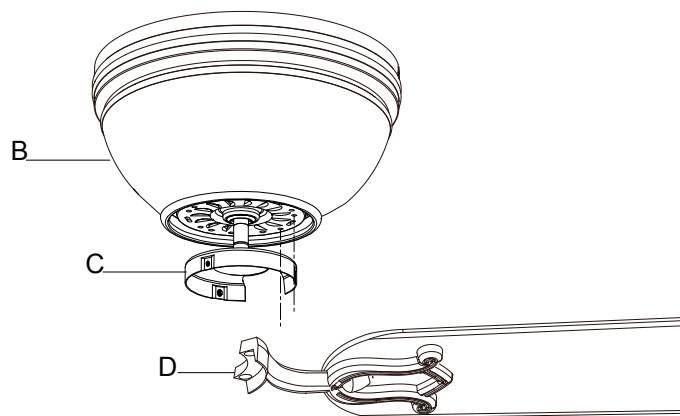
NOTA: Las aspas de tu ventilador son reversibles. Elige el acabado del aspa por el lado que mejor resalte tu decoración.

- Monta un aspa (E) en su soporte (D) colocando los tornillos para asegurarla (AA) en los orificios del aspa (E) y a través del soporte. Las arandelas de goma están fijadas en el soporte del aspa.
- Aprieta firmemente todos los tornillos.
- Repite estas instrucciones para cada aspa (E) y su soporte (D).



6 Cómo ajustar los ensamblajes de las aspas al motor

- Ajusta el ensamblaje de las aspas al conjunto motor-ventilador (C) insertando el poste de alineación dentro de la ranura de la parte inferior del motor y apretando los tornillos del soporte del aspa (D). Los tornillos del soporte de aspa vienen preinstalados en el soporte (D).
- Repite este paso para ensamblar las aspas restantes.



7 Cómo instalar el ensamblaje del soporte del kit de luces

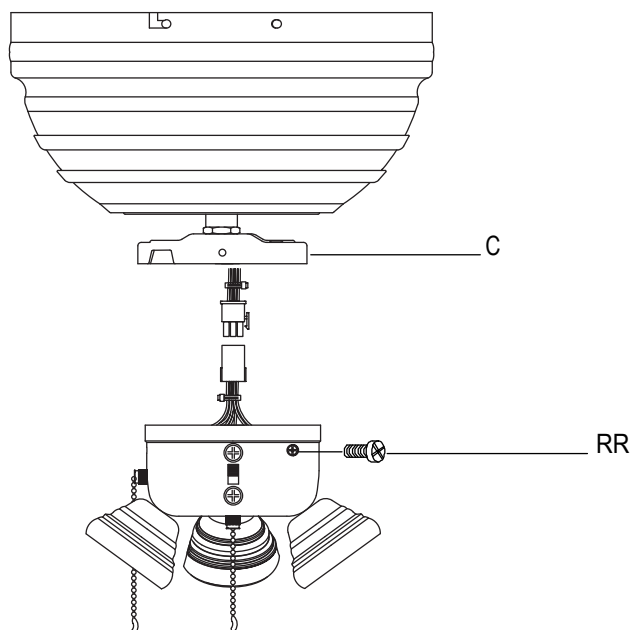


IMPORTANTE: Es fundamental instalar el kit de luces usando el conector rápido. El ventilador funcionará sólo si el kit de luces está conectado a él.



PRECAUCIÓN: Para disminuir el riesgo de descarga eléctrica, desconecta el circuito de energía del ventilador antes de instalar el kit de luces.

- ❑ Quita los tres tornillos (RR) en el soporte negro debajo del conjunto motor-ventilador (C).
- ❑ Conecta los cables del ensamblaje del soporte del kit de luces (F) a los cables del soporte negro debajo del conjunto motor-ventilador (C), conectando juntos los enchufes con adaptadores moldeados.
- ❑ Coloca con cuidado todos los cables y empalmes dentro de la caja del interruptor.
- ❑ Coloca la caja del interruptor del ensamblaje del soporte del kit de luces (F) sobre el soporte negro debajo del conjunto motor-ventilador (C) y alinea los tres orificios del soporte negro.
- ❑ Vuelve a instalar los tres tornillos que fueron quitados al inicio de este paso para asegurar el ensamblaje del soporte del kit de luces (F).



8 Cómo instalar las pantallas de vidrio y las bombillas

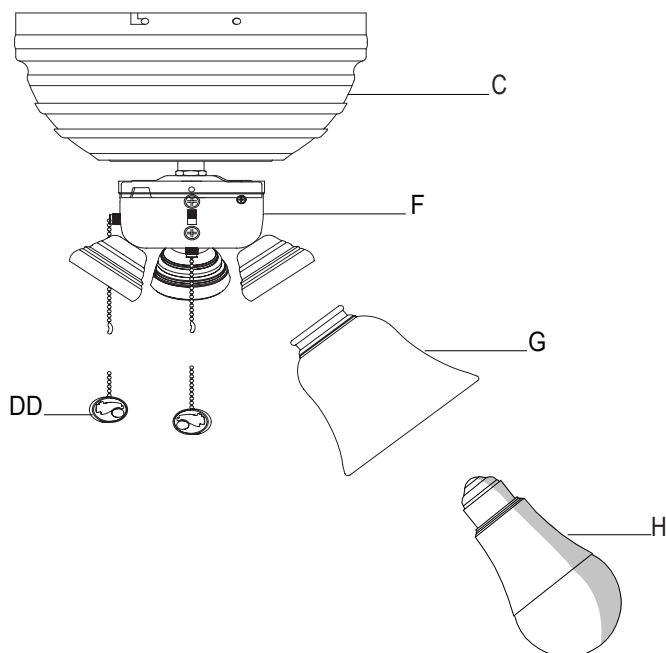


ADVERTENCIA: Espera a que las pantallas de vidrio se enfríen por completo antes de retirarlas.



PRECAUCIÓN: Asegúrate de que la corriente esté cortada antes de montar o retirar las pantallas de vidrio.

- ❑ Afloja, pero no quites, los tres tornillos de cabeza estriada del soporte de la pantalla de vidrio.
- ❑ Desliza la pantalla de vidrio (G) en el soporte y aprieta enseguida manualmente los tornillos de cabeza estriada hasta que los tres tornillos toquen la pantalla de vidrio (G) para sostenerla en su lugar.
- ❑ Con la electricidad desconectada, enrosca en los portabombillas las bombillas (H) de 9.5 W máx.
- ❑ Sujeta las extensiones de los interruptores de cadena (DD) al interruptor de cadena del kit de luces y al del ventilador.



Funcionamiento

Enciende la electricidad y verifica el funcionamiento del ventilador. El interruptor de cadena controla las velocidades del ventilador de la siguiente manera:

1 vez: alta, 2 veces: media, 3 veces: baja y 4 veces: apagado.

Las configuraciones de velocidad apropiadas para clima cálido o frío dependen de factores como el tamaño de la habitación, la altura del techo y la cantidad de ventiladores.

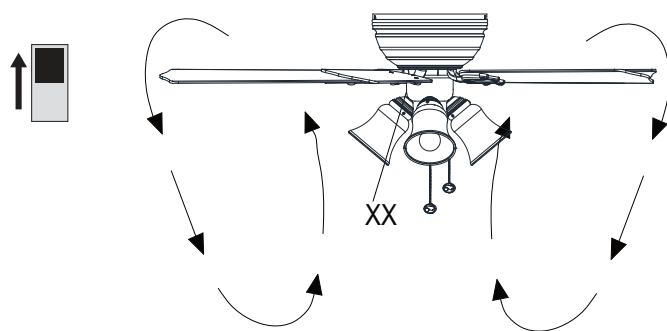
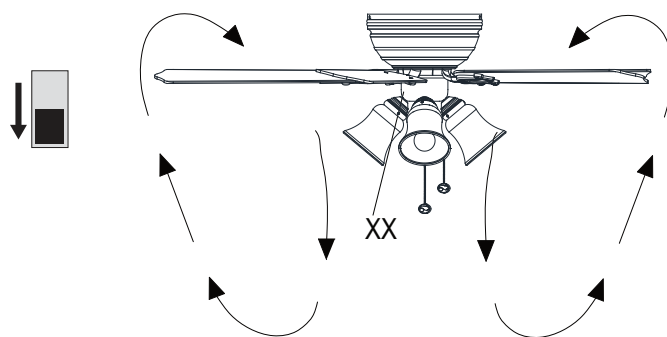
El interruptor deslizante (XX) controla el sentido de giro de las aspas: adelante (hacia abajo) o en reversa (hacia arriba).



NOTA: Espera a que se detenga el ventilador antes de invertir la dirección de giro de las aspas.

Clima cálido - (Hacia adelante) Un flujo de aire descendente surte un efecto refrescante. Esto te permite configurar tu aire acondicionado a temperatura más alta sin afectar tu comodidad.

Clima frío - (Reversa) Un flujo de aire hacia arriba desplaza el aire cálido lejos del techo. Esto te permite configurar la unidad de calefacción a temperatura más baja sin afectar tu comodidad.



Mantenimiento y limpieza



ADVERTENCIA: Asegúrate de que la corriente esté apagada antes de limpiar el ventilador.

- Debido al movimiento natural del ventilador, algunas conexiones pueden aflojarse. Revisa dos veces al año las conexiones de soporte, los soportes y los accesorios de las aspas. Comprueba que estén seguros. No es necesario desmontar el ventilador del techo.
- Limpia el ventilador con frecuencia para que luzca como nuevo al paso de los años. No uses agua al limpiar. Esto puede dañar el motor o la madera e incluso provocar descarga eléctrica. Usa sólo un cepillo suave o un paño sin pelusas para evitar arañar el acabado. El revestimiento está sellado con laca para minimizar la decoloración u opacidad.
- Puedes aplicar a la madera una fina capa de pulimento para muebles y asegurar así mayor protección y superior belleza. Cubre los arañazos pequeños con una leve aplicación de lustrador para calzado.
- No necesitas lubricar tu ventilador. El motor tiene cojinetes de bola sellados y permanentemente lubricados.

Solución de problemas

Problema	Solución
El ventilador no enciende.	<ul style="list-style-type: none"><input type="checkbox"/> Verifica los fusibles o cortacircuitos principales y secundarios.<input type="checkbox"/> Verifica las conexiones de cables tanto en línea con el ventilador como en el interruptor de la caja correspondiente.
El ventilador hace ruido.	<ul style="list-style-type: none"><input type="checkbox"/> Asegura que todos los tornillos de la carcasa del motor estén ajustados.<input type="checkbox"/> Asegura que los tornillos que unen el soporte de aspa al cuerpo del motor estén bien apretados.<input type="checkbox"/> Asegura que las conexiones de tuerca de cable no choquen unas con otras ni con la pared interior de la caja del interruptor.<input type="checkbox"/> Deja que transcurra un período de “adaptación” de 24 horas. La mayoría de los ruidos asociados con un ventilador nuevo desaparecen en ese período.<input type="checkbox"/> Garantiza que la caja eléctrica esté bien segura y que las almohadillas aislantes de goma se hayan instalado entre la placa de montaje y la caja eléctrica.
El ventilador oscila.	<ul style="list-style-type: none"><input type="checkbox"/> Verifica que todas las aspas y los tornillos de sus brazos estén bien ajustados.<input type="checkbox"/> La mayoría de los problemas de oscilación del ventilador se deben a que las aspas no están al mismo nivel. Verifica este nivel seleccionando un punto en el cielo raso sobre la punta de una de las aspas. Mide desde un punto en el centro de cada aspa a un punto en el techo. Rota el ventilador hasta que la siguiente aspa esté en posición para medir y mide desde el mismo punto en cada aspa hasta el cielo raso. Repite el procedimiento para cada aspa. Las desviaciones de la medición no deben pasar de 0.3 cm. Mantén funcionando el ventilador durante diez minutos.



¿Preguntas, problemas o piezas faltantes? Antes de devolver a la tienda,
llama al servicio al cliente de Hampton Bay
entre 8:00 a.m. y 7:00 p.m. (Este), de lunes a viernes, y los sábados de 9:00 a.m. a 6:00 p.m. (Este).

1-855-HD-HAMPTON

HAMPTONBAY.COM

Conserva este manual para uso futuro.