

**PULL-OUT SPRAY KITCHEN SINK
FAUCET
K-15160**

ADA

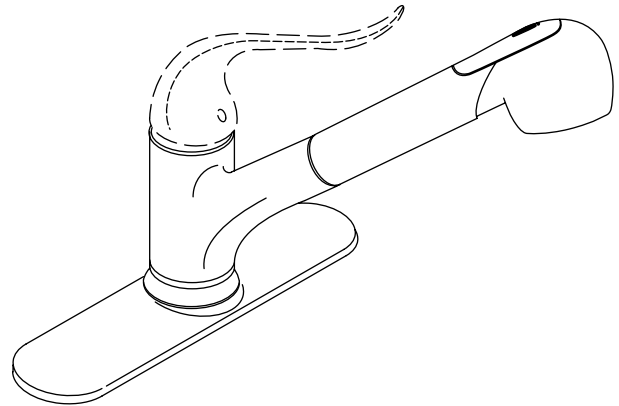
Features

- Metal construction
- One-piece, self-contained ceramic disc valve allows both volume and temperature control
- Temperature memory allows faucet to be turned on and off at any temperature setting
- High-temperature limit setting for added safety
- Loop handle or lever handle
- Touch control for stream-to-spray water flow
- Integral vacuum breaker
- For single-hole or three-hole installation when included 10" (25.4 cm) escutcheon plate is used
- 9" (22.9 cm) spout reach with rotating spout
- 2.2 gallon (8.3 L) per minute maximum flow rate

Codes/Standards Applicable

Specified model meets or exceeds the following at date of manufacture:

- ADA
- ASME A112.18.1/CSA B125.1
- ICC/ANSI A117.1
- NSF 61
- Energy Policy Act of 1992
- All applicable US Federal and State material regulations







Colors/Finishes

- CP: Polished Chrome
- Other: Refer to Price Book for additional colors/finishes

Accessories

- NA: None applicable

Specified Model

Model	Description	Lever Handle		Loop Handle	
		 ADA	 ADA	 ADA	 ADA
K-15160	Pull-out spray kitchen faucet – matching color sprayhead	<input type="checkbox"/> CP	<input type="checkbox"/> Other		
K-15160-AP	Pull-out spray kitchen faucet – polished chrome body and white sprayhead	<input type="checkbox"/> CP			
K-15160-L	Pull-out spray kitchen faucet – matching color sprayhead			<input type="checkbox"/> CP	<input type="checkbox"/> Other
K-15160-LA	Pull-out spray kitchen faucet – polished chrome body and white sprayhead			<input type="checkbox"/> CP	

Product Specification

The single-control pull-out spray kitchen sink faucet shall be of metal construction. Product shall feature a 2.2 gallon (8.3 L) per minute maximum flow rate. Product shall feature a one-piece, self-contained ceramic disc valve, which allows both volume and temperature control. Product shall feature temperature memory, allowing the faucet to be turned on and off at any temperature setting. Product shall feature a high-temperature limit stop for added safety, 9" (22.9 cm) spout reach with rotating spout, integral vacuum breaker, and touch control for stream-to-spray water flow. Product shall be for single-hole or three-hole installation when included 10" (25.4 cm) escutcheon plate is used. Product shall be available with a loop handle or lever handle. Faucet shall be Kohler Model K-15160-____-____

CORALAIS®

Optional Accessories

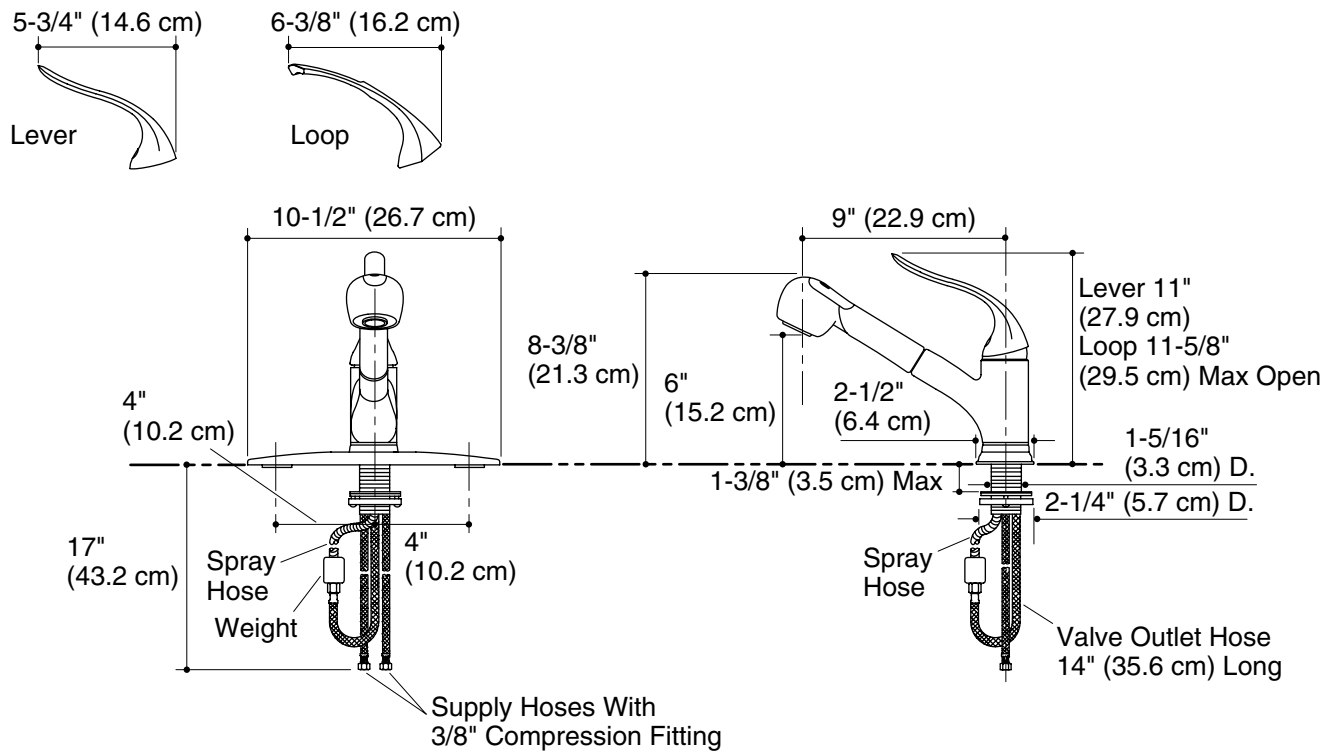
1012715	Deep rough-in kit <i>Requires 1-7/16" (3.7 cm) to 1-1/2" (3.8 cm) diameter hole to accommodate 1-1/2" (3.8 cm) to 3-3/8" (8.6 cm) thick installations.</i>	<input type="checkbox"/> NA
---------	---------------------------------------------------------------------------------------------------------------------------------------------------------------	-----------------------------

Installation Notes

Install this product according to the installation guide.

This product meets all local plumbing codes for vacuum breaker requirements.

All necessary parts included for both single-hole and three-hole installation.



Product Diagram