



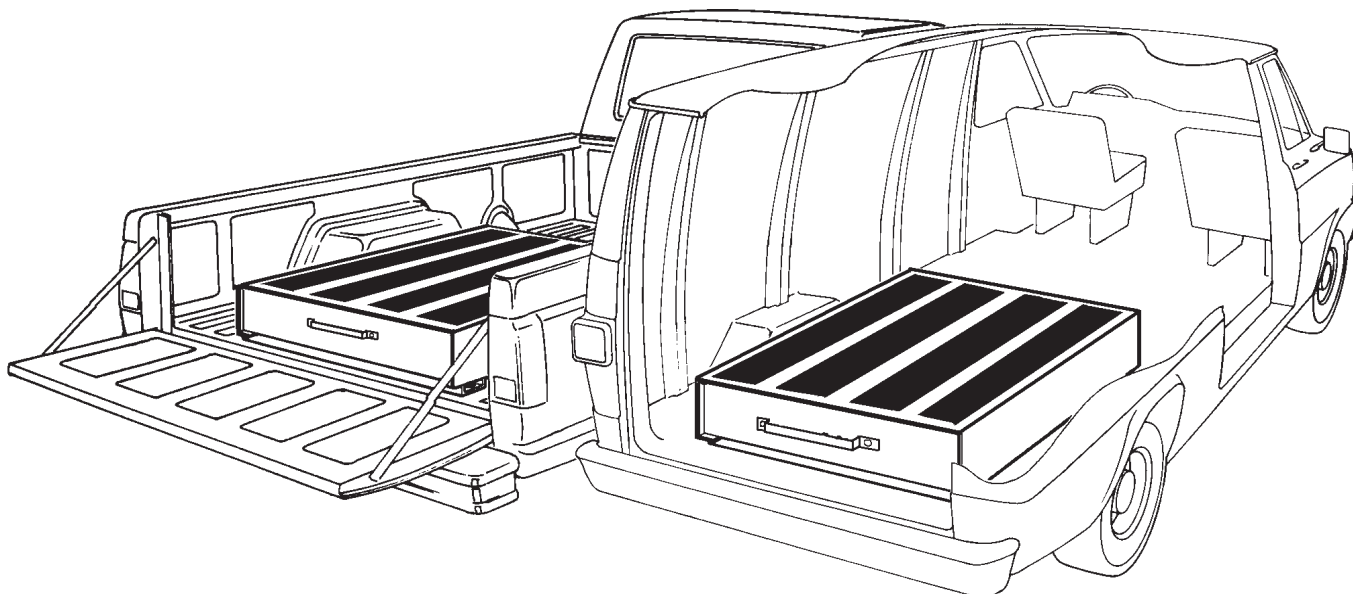
TRUCK AND VAN STORAGE SOLUTIONS  
SECURING YOUR REPUTATION®

# INSTALLATION MANUAL PACK RAT® DRAWER UNITS

ATTENTION: PLEASE READ AND UNDERSTAND ALL INSTRUCTIONS AND WARNINGS  
BEFORE ASSEMBLING, INSTALLING OR USING THIS PRODUCT.

**MODELS** 300, 301-X, 302, 303-X, 304-X, 305-X, 306-X, 307-X, 308-X, 312-X, 334-X, 335-X, 336-X, 337-X, 338-X

**Note:** X represents the color code for your model: 3 = White | 5 = Black



## ▲ NOTICE

Use specific aluminum upfit components when installing WEATHER GUARD® products to aluminum truck beds. Follow additional instructions if mounting to an aluminum truck bed. There may be left over components depending on upfit.

Any modification or unintended use of this product shall immediately void all manufacturers warranties. Manufacturer disclaims all liability for injuries to persons or property resulting from any modification to, or unintended use of this product.

## ▲ DANGER

Danger of explosion. Do not use this product for storing or transporting flammables, explosives, hazardous materials, or hazardous waste, such as containers of gasoline, solvents, gun powder, dynamite, propane tanks, acetylene tanks and cutting torches. This product is only intended and safe for use in storing and transporting small tools, equipment and other similar materials. Any modifications made to, or unintended use of this product, could create a hazardous condition that can cause death, serious personal injury or property damage.

## ▲ WARNING

Prior to drilling, so as not to cut or puncture fuel tanks, fuel lines, electric wires, etc., check under vehicle for locations. All floor mounting bolts near the gas tank area should be installed from the underside of the vehicle, to guard against the gas tank being punctured in the event of a collision. This would mean not using Blind Fastener in this area. Holes drilled in this area should be 3/8".

## ▲ CAUTION






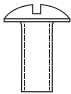

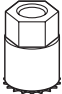
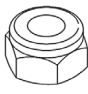

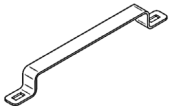
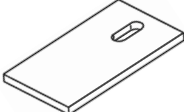
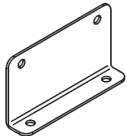
To keep debris out of your eyes when checking the underside of the vehicle, or when drilling, always wear protective eyewear.

Some of the larger drawers would best be handled by two people, so as not to cause injury to your person.

## TOOLS REQUIRED

- Screwdriver (common)
- Electric Drill
- Drill Bits - 3/8" & 1/2"
- 1/2" Open or Box End Wrench
- 9/16" Open or Box End Wrench
- Ratchet Wrench
- 1/2" Socket

## PARTS LIST

 (4) 5/16-18 x 1" Hex Head Bolt	 (6) 5/16-18 x 1-1/2" Hex Head Bolt	 (1) 5/16-18 x 2-1/4" Black Oxide Bolt	 (6) 5/16" Lock Washer	 (10) 5/16" Flat Washer
 (2) 5/16-18 x 3/4" Truss Head Screw	 (6) 5/16-18 Blind Fastener	 (1) Installation Tool	 (4) 5/16-18 Nylon Lock Nut	 (2) 5/16-18 Whiz Lock Nut
 (1) Handle	 (4) Mounting Plates	 (1) Rear Mounting Bracket		

## ALUMINUM BED UPFIT KIT PARTS LIST - 32-0244

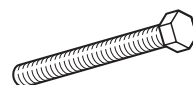
 (4) Vinyl Tape	 (1) Zinc Rich Primer	 (28) 1/2" x 1" Plastic Washer	 (4) 11/32" x 7/8" Plastic Washer	
--	--	---	--	--

## BLIND FASTENER INSTALLATION

Place a drop of oil on black oxide bolt for lubrication before assembling.

Place the Blind Fastener in the hole and use 1/2" or 7/16" wrench to tighten black oxide bolt until fastener is fully seated (it will start out hard and get easier as fastener "bulbs" out).

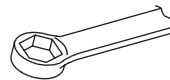
Make sure the Blind Fastener and Installation Tool do not turn during installation.



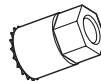
**Black Oxide Bolt**



**Flat Washer**



**9/16" Wrench**



**Installation Tool**



**Blind Fastener**

## ALUMINUM TRUCK BED INSTALLATION

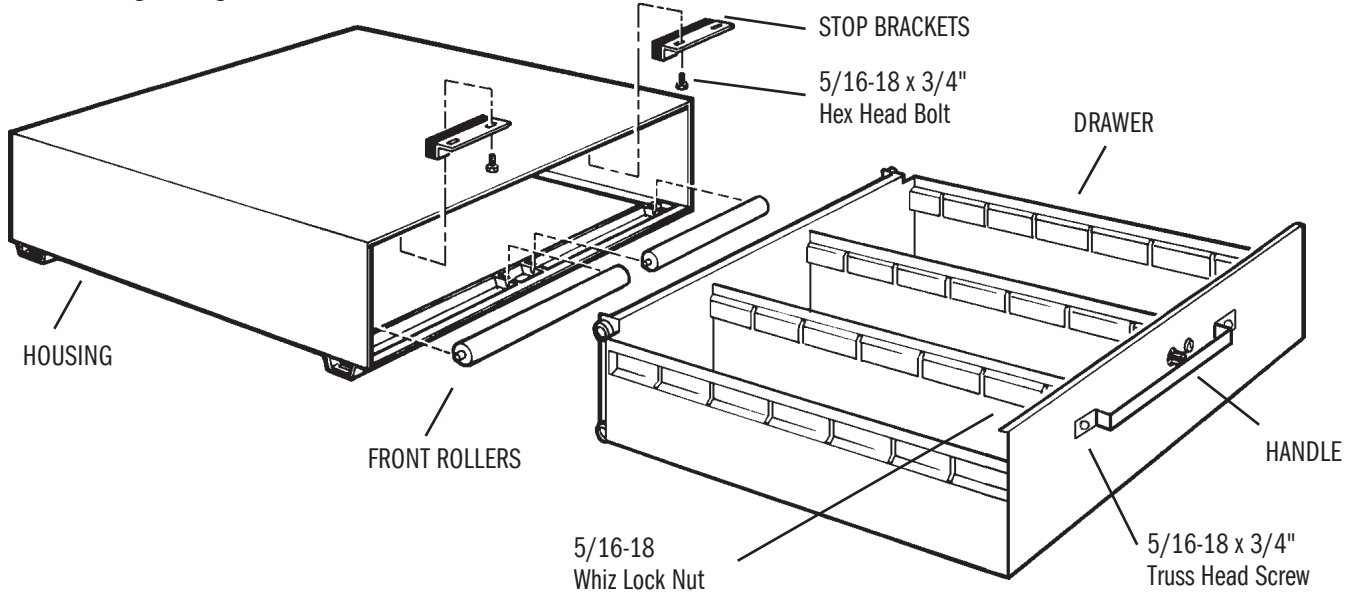
Coat drilled holes with Zinc Rich Primer. Insert Blind Fastener through one 1/2" x 1" plastic washer. Insert Blind Fastener into drilled hole. Place second 1/2" x 1" plastic washer through the bottom of the Blind Fastener. Continue following installation instructions above to install Blind Fasteners.

# INSTALLATION INSTRUCTIONS

**Note:** If your truck bed is constructed of aluminum, use zinc rich primer to coat drilled holes.

## STEP 1 Drawer Removal

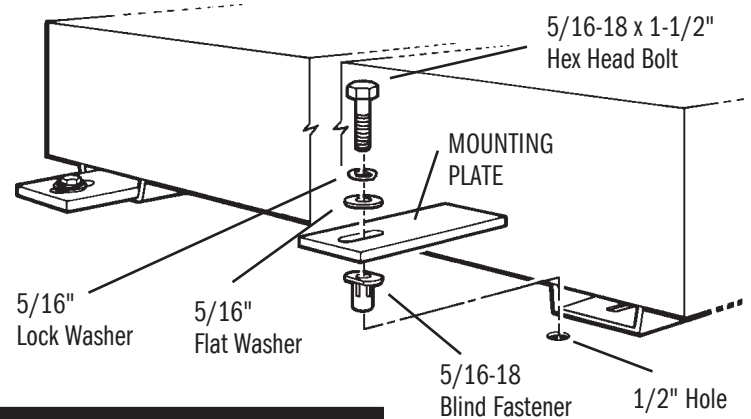
Open the drawer until it reaches the internal stop brackets. Remove the stop brackets from each upper inside location. Put the brackets and bolts into the drawer for later installation. Install the drawer handle. Carefully pull the drawer completely out of the housing, setting it aside. Lift out the front rollers.



## STEP 2 Drawer Installation (preferred)

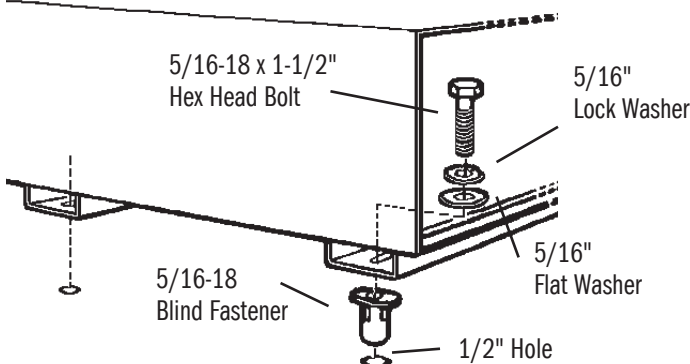
Place the housing in position. Slide a mounting plate into each open end of the front and rear skids, but no farther than the leading edge of the slotted hole in the mounting plate. Mark through the hole for drilling. See Blind Fastener Installation Instructions and cautions before drilling. With Blind Fasteners installed, secure by placing the mounting plate as you had for marking.

Note: Follow figure to the right as a guide.



### ALUMINUM TRUCK BED INSTALLATION:

Follow additional instructions if mounting to an aluminum truck bed as explained in the Blind Fastener Installation on page 2.



## STEP 2A Drawer Installation (alternate)

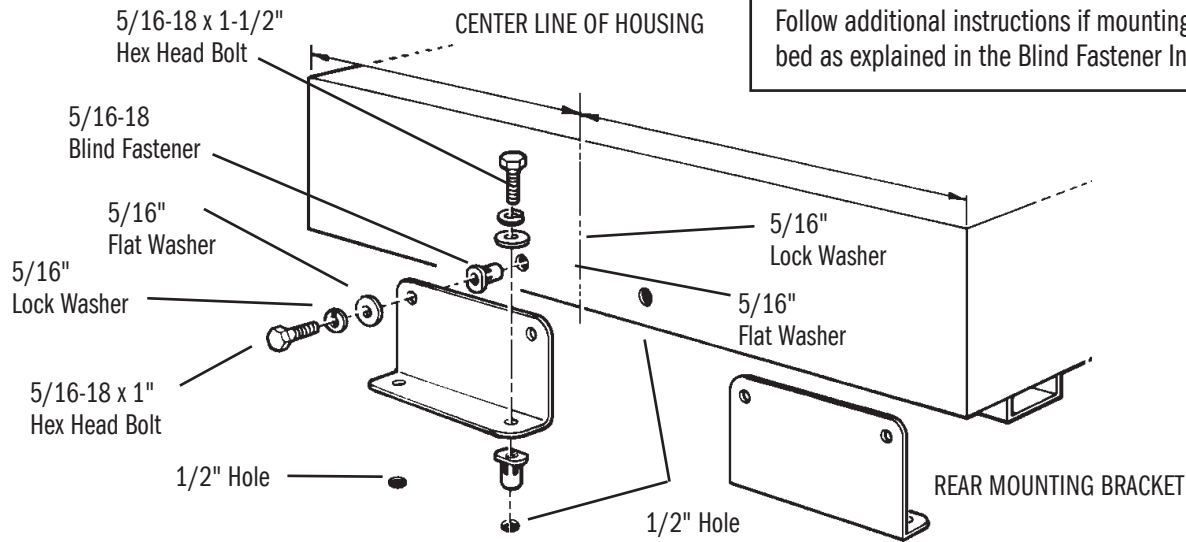
Place the housing into the position, and mark through the outer slotted holes of each skid. Remove the housing and read the Blind Fastener Installation Instructions and cautions before drilling each of the hole locations. With all Blind Fasteners installed, secure the housing. Reinstall the drawer to the unit by reversing the removal steps shown.

## STEP 2B Rear Mount Bracket Installation (alternate)

If space is critical and/or for some reason you cannot mount the rear in either the preferred method or use the mounting plates at the rear, you may use the rear mounting bracket. Locate the center line of the housing and place the bracket flush against the back and flush to the floor. If necessary, you may turn the bracket so the floor flange is under the rear overhang of the housing. Hole marking will be more difficult. Mark **only the two floor holes** for drilling. See Blind Fastener Installation Instructions and cautions before drilling. With Blind Fasteners installed, fasten the bracket to the floor. Mark and drill holes on the back of the housing for Blind Fastener installation. With Blind Fasteners installed, replace the housing and secure to the bracket.

### ALUMINUM TRUCK BED INSTALLATION:

Follow additional instructions if mounting to an aluminum truck bed as explained in the Blind Fastener Installation on page 2.

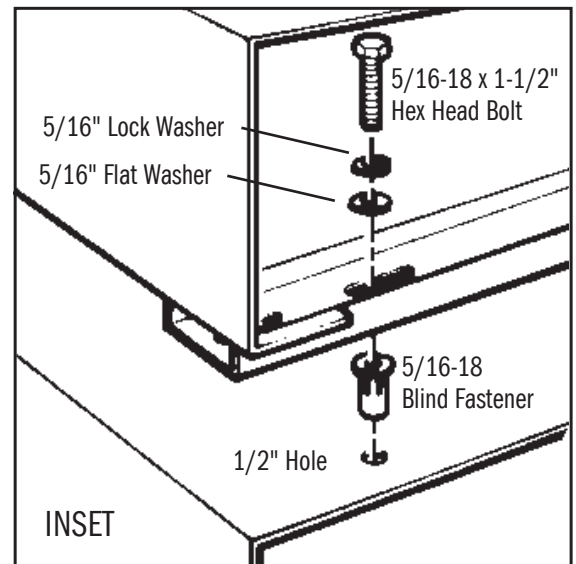
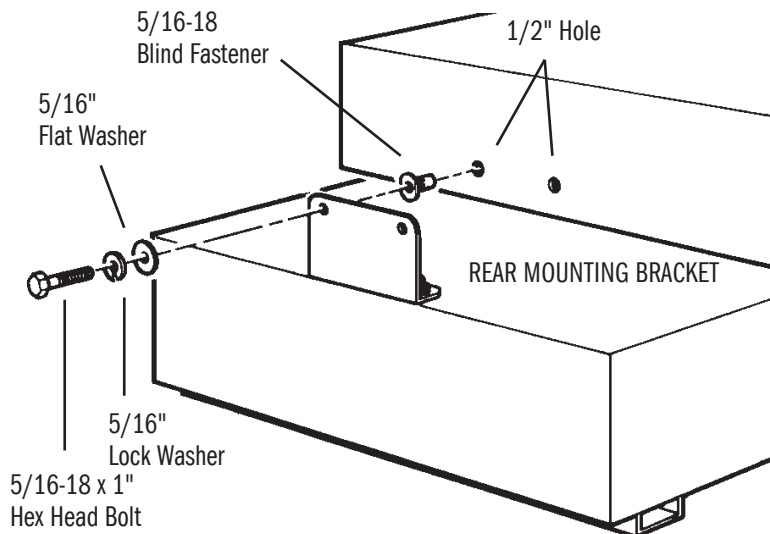


## STEP 3 Stacking PACK RAT® Drawer Units

**Note:** · Do not install bolts in the rear of the upper housing at this time.

- See Inset below for installation details. Do not use outer-most obround holes, fasteners would obstruct lower unit drawer travel. When stacking PACK RAT® units in an open vehicle, apply sealant (local purchase) to drilled holes in the drawer unit bodies.

With the lower PACK RAT® unit properly bolted in place, mount the rear mounting bracket to the top rear edge of the unit as shown. The bracket will be mounted to the bottom first. Put the upper PACK RAT® unit in position on top of the lower and mark the back mounting holes for blind fastener installation. With the upper housing in proper bolting position (with drawer and rollers removed), mark through inner two obround holes in the front mounting skid for Blind Fastener installation. With front Blind Fasteners installed, fasten the upper housing to the lower.



# KNAACK LLC LIMITED LIFETIME WARRANTY FOR WEATHER GUARD® PRODUCTS

## WEATHER GUARD® Products – Limited Lifetime Warranty (Purchased on or after 1/1/2009)

KNAACK LLC (the “Manufacturer”) warrants to the original purchaser only that WEATHER GUARD® Truck and Van Products (the “WEATHER GUARD® Product”) will be free from defects in material and workmanship from the date of purchase and continuing for the expected lifetime of the WEATHER GUARD® Product. A copy of the original sales receipt must be supplied to the Manufacturer at the time a warranty claim is made. This warranty terminates if the original purchaser transfers the WEATHER GUARD® Product to any other person.

### What is Covered

All WEATHER GUARD® Products identified above that are purchased on or after January 1, 2009.

### What We Will Do To Correct Problems

Subject to the limitations and exclusions described in this limited warranty, the Manufacturer will remedy defects in materials or workmanship by providing one of the following remedies at its option and without charge to the original purchaser for parts or labor: (a) repairing the defective portion of the WEATHER GUARD® Product or (b) replacing the entire WEATHER GUARD® Product. In addition, the Manufacturer may elect at its option, not to repair or replace the WEATHER GUARD® Product, but rather issue to the original purchaser a refund equal to the purchase price paid for the WEATHER GUARD® Product or a credit to be used toward the purchase of a new WEATHER GUARD® Product.

### What is Not Covered

This limited warranty expressly excludes:

- Defects caused by normal wear and tear, cosmetic rust, scratches, accidents, unlawful vehicle operation, or modification to the product, or any types or repair of a WEATHER GUARD® Product other than those authorized or provided by the Manufacturer.
- Defects resulting from conditions beyond the Manufacturer’s control including, but not limited to misuse, overloading, or failure to assemble, mount or use the WEATHER GUARD® Product in accordance with the Manufacturer’s written instructions or guidelines included with the WEATHER GUARD® Product or made available to the original purchaser.
- Damage to the contents of the box or vehicle.
- TO THE EXTENT PERMITTED BY LAW, IN NO EVENT SHALL THE MANUFACTURER BE LIABLE FOR ANY INCIDENTAL, SPECIAL, INDIRECT, OR CONSEQUENTIAL DAMAGES, INCLUDING ANY ECONOMIC LOSS, WHETHER RESULTING FROM NONPERFORMANCE, USE, MISUSE OR INABILITY TO USE THE WEATHER GUARD® PRODUCT OR THE MANUFACTURER’S NEGLIGENCE.

### No Other Express Warranty Applies

This Limited Lifetime Warranty is the sole and exclusive warranty for WEATHER GUARD® Products. No employee, agent, dealer, or other person is authorized to alter this warranty or make any other warranty on behalf of KNAACK LLC.

### Notification Procedures

If the WEATHER GUARD® Product does not conform with the terms of this limited warranty, the original owner must promptly notify the Manufacturer in writing upon discovery of the nonconformity. In order to receive the remedies under this limited warranty, the warranty claim must describe the nature of the nonconformity, and a copy of the original sales receipt, invoice, bill or other proof of purchase must accompany the claim. Repairs or modifications made to the WEATHER GUARD® Product by other than the Manufacturer or its authorized agent will nullify this limited warranty. Coverage under this limited warranty is conditioned at all times upon the owner’s compliance with these required notification and repair procedures. Warranty claims must include reciprocal contact information and may be made via certified mail to:

KNAACK LLC  
ATTN: Warranty Claims  
420 E. Terra Cotta Avenue  
Crystal Lake, IL 60014



If you have any questions,  
please call toll free at 1-800-456-7865

WEATHER GUARD® Products are protected by one or more of the following trademarks:  
U.S. - 842268, 1367500, 1661625, 1663369, 1676545, 1882062, 2228051, 2362167; Canada - 282725, 297499; U.K. - 1400720, 1402476; N.Z. - 296049; AUS - 761964.  
Other trademarks pending.

