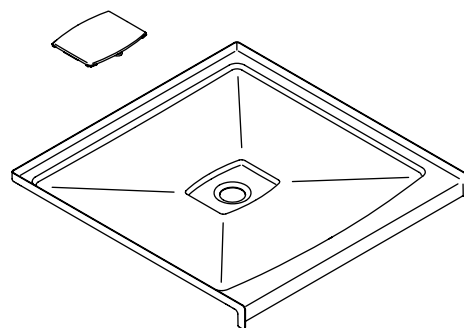


### Features

- *Fiberglass (FRP)*
- *One-piece construction*
- *For alcove installations*
- *Removable cover*
- *Drain hole at center*
- *42" (106.7 cm) x 42" (106.7 cm) x 3-11/16" (9.4 cm)*

### FRP SHOWER RECEPTOR WITH REMOVABLE COVER **K-9393**



### Codes/Standards Applicable

Specified model meets or exceeds the following:

- *IAPMO/UPC*
- *CSA B45*
- *ANSI Z124.1.2*

### Colors/Finishes

- 0: White
- Other: Refer to Price Book for additional colors/finishes

#### Accessories:

- CP: Polished Chrome
- PB: Polished Brass
- Other: Refer to Price Book for additional colors/finishes

### Specified Model

Model	Description	Colors/Finishes		
K-9393	42" (106.7 cm) receptor	<input type="checkbox"/> 0	<input type="checkbox"/> Other_____	
<b>Recommended Accessory</b>				
K-9132	Drain	<input type="checkbox"/> CP	<input type="checkbox"/> PB	<input type="checkbox"/> Other_____
<b>Optional Accessories</b>				
Refer to the Fixtures Price Book for shower door selections, glass options, and color information.				

### Product Specification:

The fiberglass (FRP) shower receptor with removable cover shall be 42" (106.7 cm) in length, 42" (106.7 cm) in width, and 3-11/16" (9.4 cm) in height. Shower receptor shall be for alcove installations. Shower receptor shall be one-piece configuration with drain hole at center. Shower receptor shall be Kohler Model K-9393-\_\_\_\_\_.

# ARCHER™

## Technical Information

Fixture*:	
Weight	44 lbs (19.9 kg)
Configuration	one-piece
Drain hole	3-3/8" (8.6 cm) D.
* Approximate measurements for comparison only.	
Included components:	
Removable cover	1062356

## Installation Notes

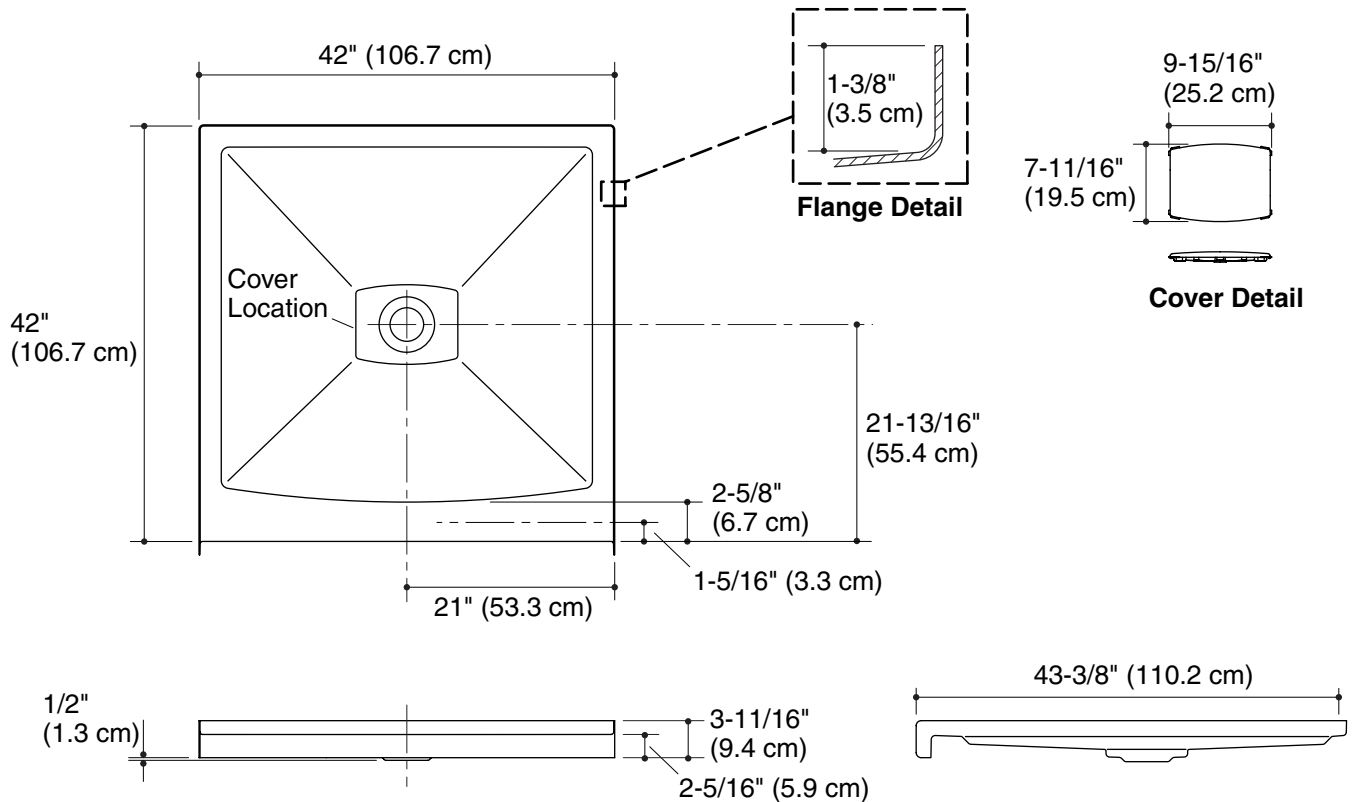
Install this product according to the installation guide.

Shimming may be required to level the fixture.

Shimming may be required between the stud frame and the fixture.

The stud opening tolerance is +1/4" (6 mm), -0" (0 mm).

When fire rated construction is specified, dimensions are to the inside of the fire-rated wall.



## Product Diagram

ARCHER™ FRP SHOWER RECEPTOR WITH REMOVABLE COVER

Page 2 of 2  
1066255-4-A

THE BOLD LOOK  
OF **KOHLER**®