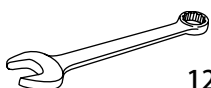
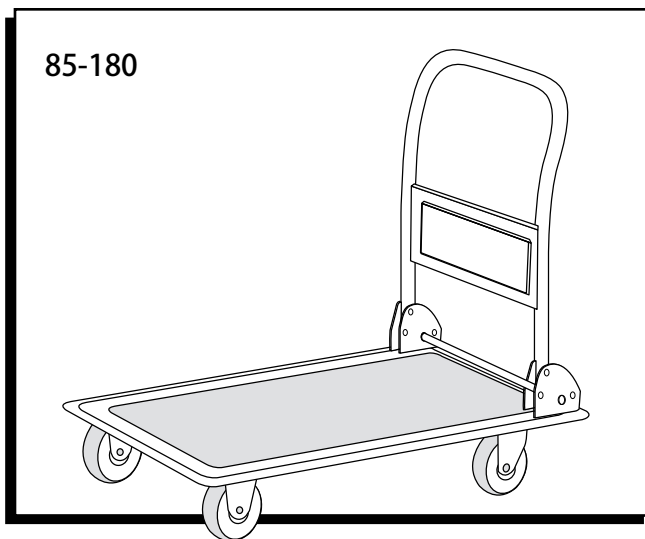


Folding Platform Cart

TOOLS NEEDED

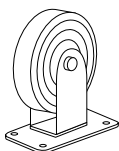


12mm Wrench



85-180

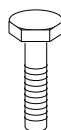
PARTS



Fixed Caster x 2



Swivel Caster x 2



Bolt x 16



Lock Washer x 16

OPERATION

1. Install swivel casters front side and fixed casters on handle side. (See Figure 1)
2. To raise the handle, pull the handle up until it locks in place.

3. To fold handle flat, press down on the bottom bar to release lock. (See Figure 2)

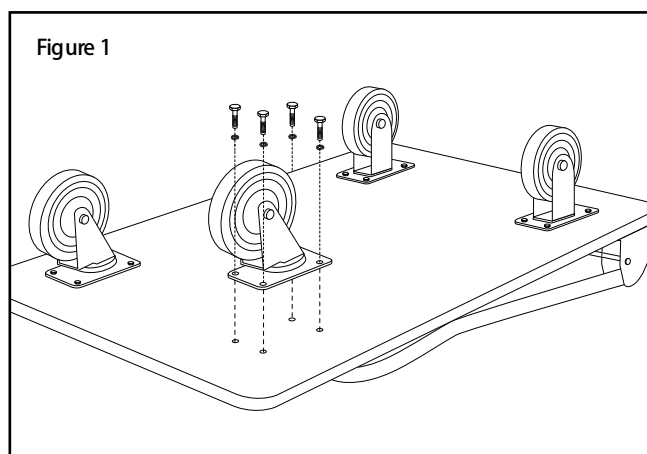


Figure 1

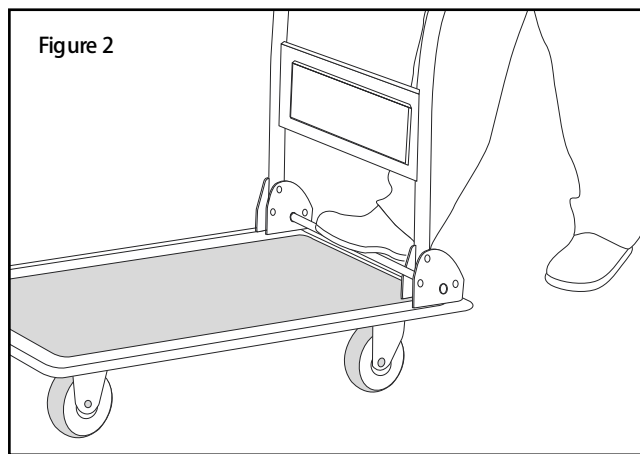


Figure 2

85-180