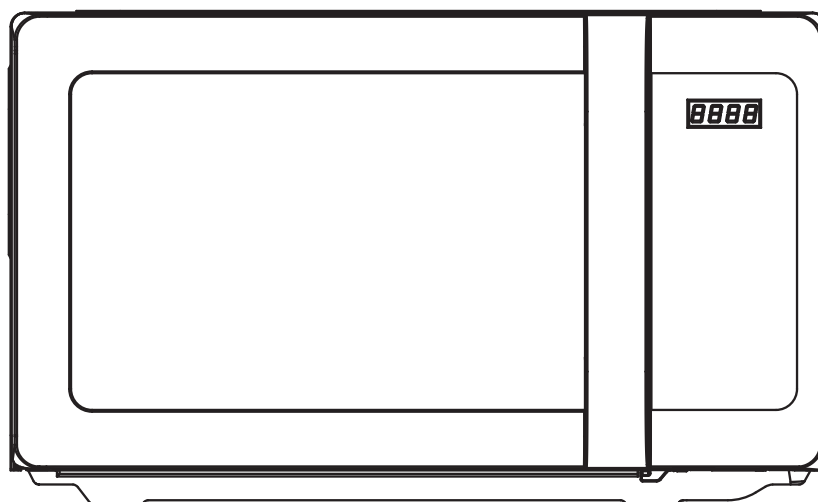




0.9 Cu. Ft. Countertop Microwave Oven

User's Manual



Model MCD993W/MCD993B/ MCD993R

**PLEASE READ THIS MANUAL CAREFULLY BEFORE USING YOUR
MICROWAVE OVEN AND KEEP IT FOR FUTURE REFERENCE.**



Product Registration

Thank you for purchasing a Magic Chef product. The first step to protect your new product is to complete the product registration on our website: www.mcappliance.com/register. The benefits of registering your product include the following:

1. Registering your product will allow us to contact you regarding a safety notification or product update.
2. Registering your product will allow for more efficient warranty service processing when warranty service is required.
3. Registering your product could act as your proof of purchase in the event of insurance loss.

Once again, thank you for purchasing a Magic Chef product.

PRECAUTIONS TO AVOID POSSIBLE EXPOSURE TO EXCESSIVE MICROWAVE ENERGY

- (a) **Do not attempt to operate this oven with the door open** since open-door operation can result in harmful exposure to microwave energy. It is important not to defeat or tamper with the safety interlocks.
- (b) **Do not place any object** between the oven front face and the door or allow soil or cleaner residue to accumulate on sealing surfaces.
- (c) **Do not operate the oven if it is damaged.** It is particularly important that the oven door close properly and that there is no damage to the: (1) door (bent), (2) hinges and latches (broken or loosened), (3) door seals and sealing surfaces.
- (d) The oven should not be adjusted or repaired by anyone except properly qualified service personnel.

TABLE OF CONTENTS

• PRECAUTIONS TO AVOID POSSIBLE EXPOSURE TO EXCESSIVE MICROWAVE ENERGY	1
• IMPORTANT SAFETY INSTRUCTIONS	2
• FEDERAL COMMUNICATIONS COMMISSION RADIO FREQUENCY INTERFERENCE STATEMENT	3
• GROUNDING INSTRUCTIONS	3
• INSTALLATION	4
• SPECIFICATIONS	5
• FEATURES DIAGRAM	6
• FEATURES DIAGRAM (continued)	7
• OPERATION PROCEDURE	8
• CONTROLS	9
SETTING THE CLOCK.....	9
+30SEC	9
WEIGHT DEFROSTING	10
TIME DEFROSTING.....	10
MICROWAVE COOK.....	11
COOKING IN TWO STAGES	11
AUTO COOK	12
KITCHEN TIMER	13
CHILD SAFETY LOCK	13
TO STOP THE OVEN WHILE THE OVEN IS OPERATING	13
• CARE OF YOUR MICROWAVE OVEN	14
• BEFORE YOU CALL FOR SERVICE	15
• CARE AND CLEANING	15
• QUESTIONS AND ANSWERS	16
• COOKING INSTRUCTIONS	17
• USE YOUR MICROWAVE OVEN SAFELY	18
• ARCING	18

IMPORTANT SAFETY INSTRUCTIONS

When using electrical appliances, basic safety precautions should be followed, including the following:

WARNING-To reduce the risk of burns, electric shock, fire, injury to persons or exposure to excessive microwave energy:

1. Read all instructions before using the appliance.
2. Read and follow the specific "PRECAUTIONS TO AVOID POSSIBLE EXPOSURE TO EXCESSIVE MICROWAVE ENERGY" found on page 1.
3. This appliance must be grounded. Connect only to properly grounded outlet. See "GROUNDING INSTRUCTIONS" found on page 3.
4. Install or locate this appliance only in accordance with the provided installation instructions.
5. Some products such as whole eggs and sealed containers - for example, closed glass jars are able to explode and should not be heated in this oven.
6. Use this appliance only for its intended use as described in this manual. Do not use corrosive chemicals or vapors in this appliance. This type of oven is specifically designed to heat, cook, or dry food. It is not designed for industrial or laboratory use.
7. As with the appliance, close supervision is necessary when used by children.
8. Do not operate this appliance if it has a damaged cord or plug, if it is not working properly, or if it has been damaged or dropped.
9. This appliance should be serviced only by qualified service personnel.
Contact nearest authorized service facility for examination, repair or adjustment.
10. Do not cover or block any openings on the appliance.
11. Do not store this appliance outdoors. Do not use this product near water — for example, near a kitchen sink, in a wet basement, near a swimming pool, or similar locations.
12. Do not immerse cord or plug in water.
13. Keep cord away from heated surfaces.
14. Do not let cord hang over edge of table or counter.
15. When cleaning surfaces of door and oven that comes together on closing the door, use only mild, non-abrasive soaps or detergents applied with a sponge or soft cloth.
16. To reduce the risk of fire in the oven cavity:
 - a) Do not overcook food. Carefully attend appliance when paper, plastic, or other combustible materials are placed inside the oven to facilitate cooking.
 - b) Remove wire twist-ties from paper or plastic bags before placing bag in oven.
 - c) If materials inside the oven ignite, keep oven door closed, turn oven off, and disconnect the power cord, or shut off power at the fuse or circuit breaker panel.
- d) Do not use the cavity for storage purposes. Do not leave paper products, cooking utensils, or food in the cavity when not in use.
17. Liquids, such as water, coffee, or tea are able to be overheated beyond the boiling point without appearing to be boiling due to surface tension of the liquid. Visible bubbling or boiling when the container is removed from the microwave oven is not always present. **THIS COULD RESULT IN VERY HOT LIQUIDS SUDDENLY BOILING OVER WHEN A SPOON OR OTHER UTENSIL IS INSERTED INTO THE LIQUID.**

To reduce the risk of injury to persons:

 - a) Do not overheat the liquid.
 - b) Stir the liquid both before and halfway through heating it.
 - c) Do not use straight-sided containers with narrow necks.
 - d) After heating, allow the container to stand in the microwave oven for a short time before removing the container.
 - e) Use extreme care when inserting a spoon or other utensil into the container.
18. Do not use this microwave oven to heat corrosive chemicals (for example, sulfides and chlorides). Vapors from such corrosive chemicals may interact with the contact and springs of the safety interlock switches thereby rendering them inoperable.
19. Keep the waveguide cover clean at all times. Wipe the oven interior with a soft damp cloth after each use. If you leave grease or fat anywhere in the cavity it may overheat, smoke or even catch fire when next using the oven.
20. Never heat oil or fat for deep frying as you cannot control the temperature and doing so may lead to overheating and fire.
21. Do not operate the oven without the glass tray in place. Be sure it is properly sitting on the rotating base.

SAVE THESE INSTRUCTIONS

FEDERAL COMMUNICATIONS COMMISSION RADIO FREQUENCY INTERFERENCE STATEMENT

WARNING:

This equipment generates and uses ISM frequency energy and if not installed and used properly, that is in strict accordance with the manufacturer's instructions, may cause interference to radio and television reception.

It has been type-tested and found to comply with limits for an ISM Equipment pursuant to part 18 of FCC Rules, which are designed to provide reasonable protection against such interference in a residential installation.

However, there is no guarantee that interference will not occur in a particular installation.

If this equipment does cause interference to radio or television reception, which can be determined by turning the equipment off and on, the user is encouraged to try to correct the interference by one or more of the followings.

- Reorient the receiving antenna of radio or television.
- Relocate the Microwave oven with respect to the receiver.
- Move the microwave oven away from the receiver.
- Plug the microwave oven into a different outlet so that microwave oven and receiver are on different branch circuits.

THE MANUFACTURER is not responsible for any radio or TV interference caused by UNAUTHORIZED MODIFICATION to this microwave oven. It is the responsibility of the user to correct such interference.

GROUNDING INSTRUCTIONS

This appliance must be grounded. In the event of an electrical short circuit, the grounding plug reduces the risk of electric shock by providing an escape wire for electric current. This appliance is equipped with a cord having a grounding wire with a grounding plug. The plug must be plugged into an outlet that is properly installed and grounded.

WARNING:

Improper use of the grounding can result in a risk of electric shock.

Consult a qualified electrician or serviceman if the grounding instructions are not completely understood, or if doubt exists as to whether the appliance is properly grounded, and either :

- (1) If it is necessary to use an extension cord, use only a 3-wire extension cord that has a 3-blade grounding plug, and a 3-slot receptacle that will accept the plug on the appliance. The marked rating of the extension cord shall be equal to or greater than the electrical rating of the appliance.

WARNING:

Do not cut or remove the third (ground) prong from the power cord under any circumstances.

INSTALLATION

1. Examine the oven after unpacking.

Check for damage such as a misaligned door, broken door or dent in the cavity.
If any damage is visible, DO NOT INSTALL, and notify your dealer immediately.

2. Level, flat location.

Install the microwave oven on a level, flat surface.

3. Ventilation.

Do not block air vents. If they are blocked during operation, the oven may overheat and eventually cause a failure.

For proper ventilation, allow 3 inches of space between oven top, sides, rear and adjacent surfaces.

4. Away from radio and TV sets.

Poor television reception and radio interference may result if the oven is located close to a TV, radio, antenna, feeder, etc.

Place the oven as far from them as possible.

5. Away from heating appliances and water taps.

Keep the oven away from heat, steam or splashing liquids. These things can adversely affect oven wiring and contacts.

6. Power supply.

- Check your local power source.

This microwave oven requires a current of approximately 12.5 amperes, 120Volts, 60Hz grounded outlet.

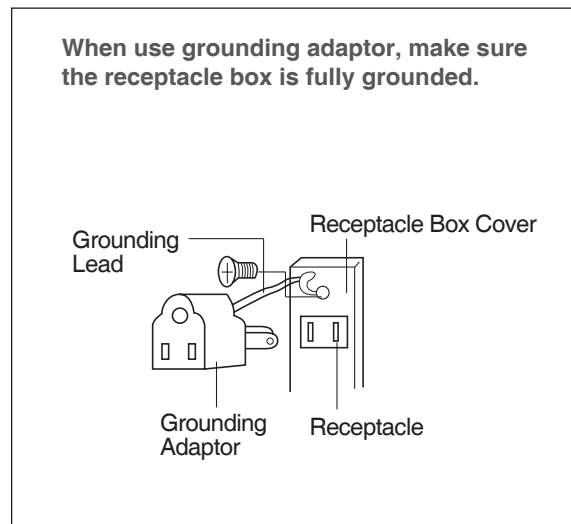
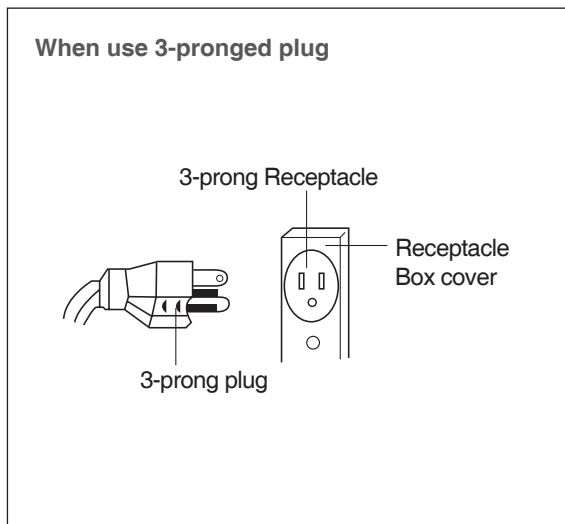
1. A short power-supply cord is provided to reduce the risks resulting from becoming entangled in or tripping over a longer cord.

2. Longer cord sets or extension cords are available and may be used if care is exercised in their use.

3. If a long cord or extension cord is used:

- The marked electrical rating of the cord set or extension cord should be at least as great as the electrical rating of the appliance.
- The extension cord must be a grounding type 3-wire cord.
- The longer cord should be arranged so that it will not drape over the counter top or tabletop where it can be pulled on by children or tripped over unintentionally.

7. The minimum height of free space necessary above the top surface of the oven is about 4 inches.

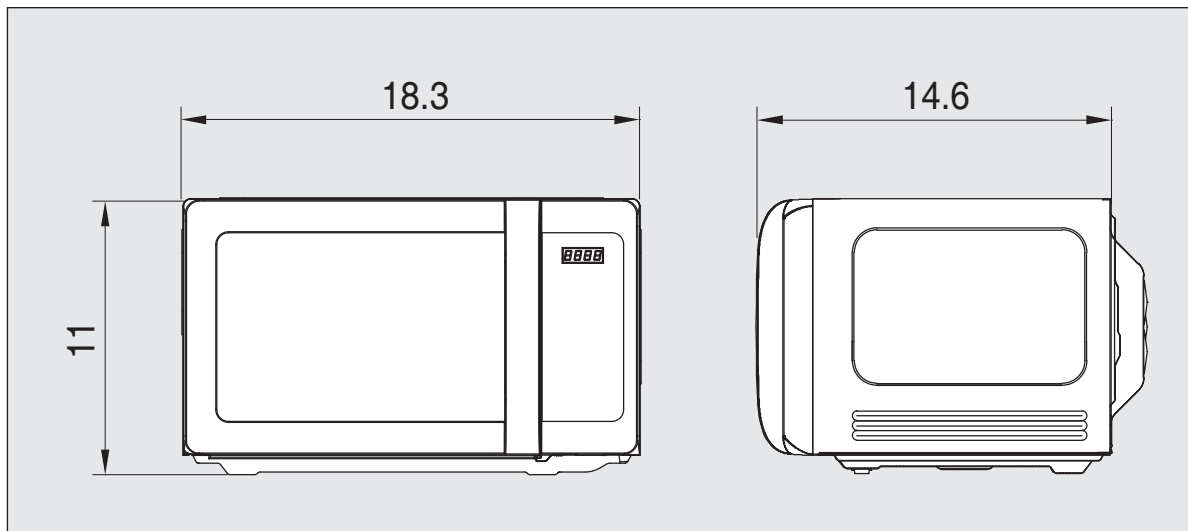


“THE CANADIAN ELECTRICAL CODE DOES NOT ALLOW THE USE OF THE GROUNDING ADAPTOR”

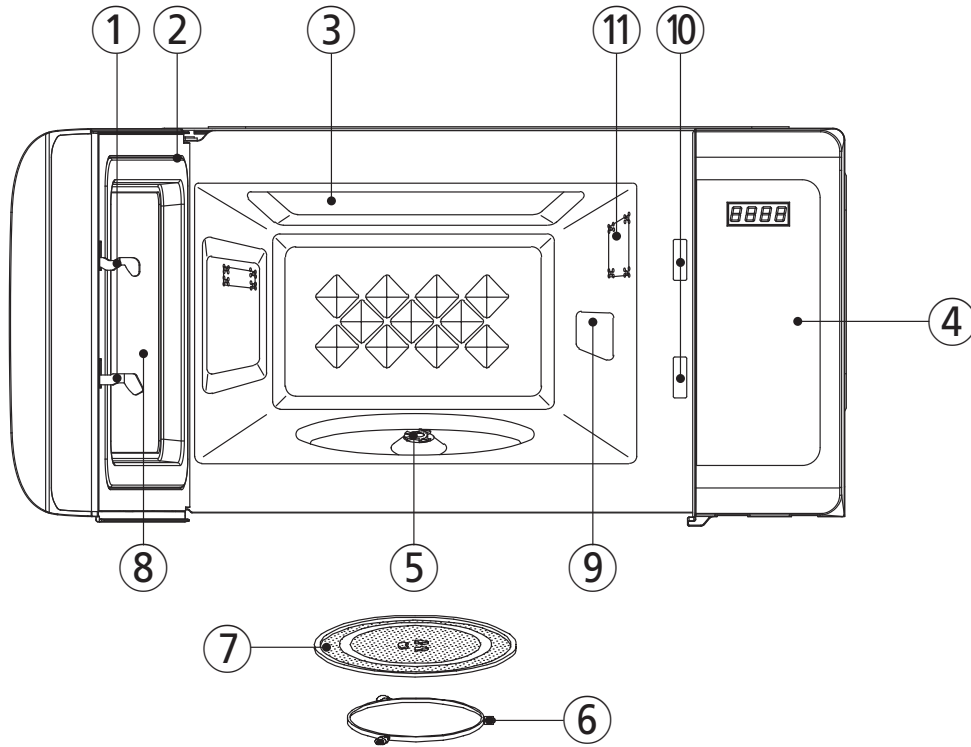
SPECIFICATIONS

POWER SUPPLY		120V AC, 60Hz SINGLE PHASE WITH GROUNDING
MICROWAVE	INPUT POWER	1350 W
	ENERGY OUTPUT	900 W
	FREQUENCY	2,450MHz
OUTSIDE DIMENSIONS (W x H x D)		18.3 x 11 x 14.6 in.
CAVITY DIMENSIONS (W x H x D)		12.4 x 9.3 x 13.6 in.
CAVITY VOLUME		0.9 cu.ft (26 Liters)
NET WEIGHT		APPROX. 24.7 lbs.
TIMER		59 min. 99 sec.
POWER SELECTIONS		10 Levels

* Specifications are subject to change without notice.

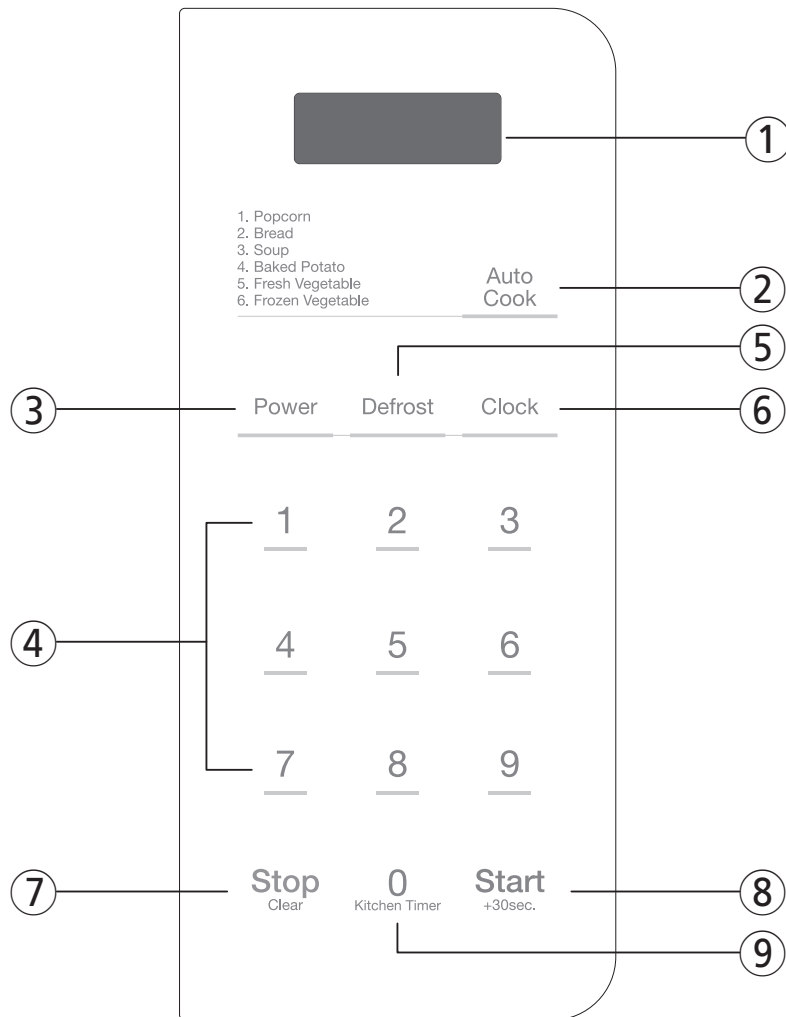


FEATURES DIAGRAM



- ① **Door latch** - When the door is closed, it will automatically shut off. If the door is opened while the oven is operating, the magnetron will automatically shut off.
- ② **Door seal** - The door seal surfaces prevent microwaves escaping from the oven cavity.
- ③ **Oven cavity**
- ④ **Control panel**
- ⑤ **Coupler** - This fits over the shaft in the center of the oven cavity floor. This is to remain in the oven for all cooking.
- ⑥ **Roller guide** - This must always be used for cooking together with the glass cooking tray.
- ⑦ **Glass cooking tray** - Made of special heat resistant glass. The tray must always be in proper position before operating. Do not cook food directly on the tray.
- ⑧ **Viewing screen** - Allows viewing of food. The screen is designed so that light can pass through, but not the microwave.
- ⑨ **Waveguide cover** - Protects the microwave outlet from splashes of cooking foods.
- ⑩ **Safety interlock system**
- ⑪ **Oven lamp** - Automatically turns on during oven operating.

FEATURES DIAGRAM (continued)



- ① **DISPLAY** - Cooking time, power level, indicators and current time are displayed.
- ② **AUTO COOK** - Used to cook some kind of popular food easily and automatically.
- ③ **POWER** - Used to set power level.
- ④ **TIME SET PAD** - Used to set the cooking time and the current time.
- ⑤ **DEFROST** - Used to defrost foods for weight and time.
- ⑥ **CLOCK** - Used to set clock.
- ⑦ **STOP / CLEAR** - Used to stop the oven operation or to delete the cooking data.
- ⑧ **START / +30 SEC** - Used to start the oven and also used to set a reheat time.
- ⑨ **KITCHEN TIMER** - Press and hold number "0" pad for 3 seconds to set the kitchen timer.

OPERATION PROCEDURE

This section includes useful information about oven operation.

- 1** Plug power supply cord into a standard 3-pronged 12 Amp, 120V AC 60Hz power outlet.
- 2** After placing the food in a suitable container, open the oven door and put it on the glass tray. The glass tray and roller guide must always be in place during cooking.
- 3** Close the door. Make sure that it is firmly closed.
- 4** The oven light is on when the microwave oven is operating.
- 5** The oven door can be opened at any time during operation by pulling the handle of door. The oven will automatically shut off.
- 6** Each time a pad is touched, a BEEP will sound to acknowledge the touch.
- 7** The oven automatically cooks on full power unless set to a lower power level.
- 8** The display will show “ : 0” when the oven is plugged in.
- 9** Time clock returns to the present time when the cooking time ends.
- 10** When the STOP/CLEAR pad is touched during the oven operation, the oven stops cooking and all information retained. To erase all information(except the present time), touch the STOP/CLEAR pad once more. If the oven door is opened during the oven operation, all information is retained.
- 11** If the START pad is touched and the oven does not operate, check the area between the door and door seal for obstructions and make sure the door is closed securely. The oven will not start cooking until the door is completely closed or the program has been reset.

Make sure the oven is properly installed and plugged into the electrical outlet.

WATTAGE OUTPUT CHART

- The power-level is set by touching the POWER LEVEL pad. The chart shows the display, the power level and the percentage of power.

Touch the POWER LEVEL pad	Power level (Display)	Approximate Percentage of Power
once	P-HI	100%
twice	P-90	90%
3 times	P-80	80%
4 times	P-70	70%
5 times	P-60	60%
6 times	P-50	50%
7 times	P-40	40%
8 times	P-30	30%
9 times	P-20	20%
10 times	P-10	10%
11 times	P-00	0%

CONTROLS

SETTING THE CLOCK

When the oven is first plugged in, the display will flash “:0” and a tone will sound. If the AC power ever turns off, the display shows “:0” when the power comes back on.

Clock

1. Touch the CLOCK pad.
This is a 12 hour clock system.
2. Touch the CLOCK pad once more.
This is a 24 hour clock system.

NOTE : This oven has multiple clock systems.
If you want 12 hour clock system, omit this step.

3. Enter the correct time of day by touching the TIME SET pads in sequence.
4. Touch the CLOCK pad.
The display stops blinking, and the colon starts blinking. If you selected 12 hour clock system, this digital clock allows you to set from 1:00 to 12:59. If you selected 24 hour clock system, this digital clock allows you to set from 0:00 to 23:59.

NOTE: If you attempt to enter an incorrect time, the time will not be set and a error signal tone will sound. Touch the CLOCK pad and re-enter the time.

+30 sec

+30 sec allows you to reheat for 30 seconds at full power by simply touching the Start/+30sec. pad. By repeatedly touching the Start/+30sec. pad, you can also extend reheating time to 5 minutes by 30 second increments.

Start +30sec.

1. Touch the Start/+30sec. pad.
When you touch the +30 sec pad, “:30” is displayed.
After 1.5 seconds, the oven starts reheating.
-

WEIGHT DEFROSTING

When DEFROST is selected, the automatic cycle divides the defrosting time into periods of alternating defrost and stand times by cycling on and off.

Defrost

1. Touch the DEFROST pad.
This is the weight defrosting mode.
The display will show you " 0.0 " .
2. Touch the TIME SET pads for inputing the desired weights.
The display will show you what you touched.

NOTE: Your oven can be programmed for 0.4 lb. ~ 3.5lb. in Weight defrosting mode.

3. Touch the Start/+30sec. pad.

The defrosting time is automatically determined by the weight inputed.
When you touch the Start/+30sec. pad, the display counts down the time to show you how much defrosting time is left. The oven beeps during the defrosting cycle to signal that the food needs to be turn over or rearranged. When the defrosting time ends, you will hear 3 beeps.

TIME DEFROSTING

When DEFROST is selected, the automatic cycle divides the defrosting time into periods of alternating defrost and stand times by cycling on and off.

Defrost

1. Touch the DEFROST pad twice.
This is the time defrosting mode.
The display will show you " : 0 " .
2. Touch the TIME SET pads for inputing the desired time.
The display will show you what you touched.

NOTE: Your oven can be programmed for 59minutes 99seconds.(59:99).

3. Touch the Start/+30sec. pad.

When you touch the Start/+30sec. pad, the display counts down the time to show you how much defrosting time is left. The oven beeps during the defrosting cycle to signal that the food needs to be turn over or rearranged. When the defrosting time ends, you will hear 3 beeps.

MICROWAVE COOK

Power

1. Touch the POWER pad.
(Please refer to the wattage output chart in page 8.)
The display will show what you touched.
Touch the Power level pad repeatedly to select the power level you want.

NOTE: If step 1 is omitted, the oven will cook at full power.

2. Touch the TIME SET pads for the cooking time.
The display will show what you touched.

NOTE: Your oven can be programmed for 59 minutes 99 seconds.(59:99)

3. Touch the Start/+30sec. pad.

When you touch the Start/+30sec. pad.

The display counts down the time to show how much cooking time is left. When the cooking time ends, you will hear 3 beeps.

NOTE : Using lower power levels increases the cooking time which is recommended for foods such as cheese, milk and slow cooking of meats.

COOKING IN TWO STAGES

All recipes require frozen foods to be defrosted fully before cooking.

Defrost

1. Touch the DEFROST pad.
(Select the weight defrosting mode or the time defrosting mode.)
2. Touch the TIME SET pads for the defrosting time or weight you want.
The display will show what you touched.

Power

3. Touch the POWER pad.
(Select the desired power level.)
The display will show what you touched.
4. Touch the TIME SET pads for the desired cooking time.
The display will show what you touched.
5. Touch the Start/+30sec. pad.

The display counts down the remaining time in defrosting. When the oven beeps, turn over or rearrange foods. When the defrosting ends, oven will beep and start microwave cook. The display counts down the remaining time in microwave cook. When M/W cook ends, you will hear 3 beeps.

AUTO COOK

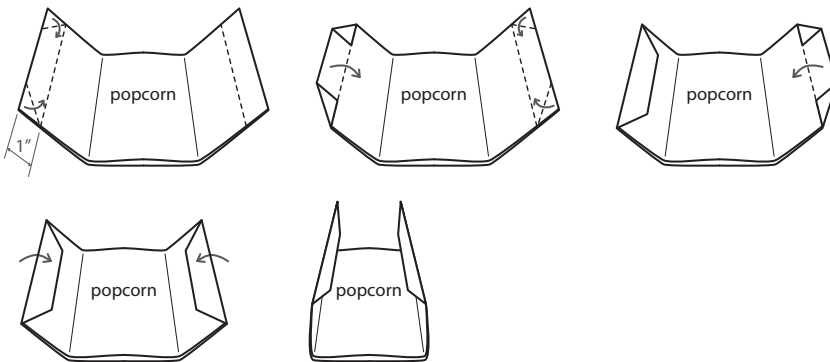
AUTO COOK allows you to cook or reheat many of your favorite foods by repeatedly touching the AUTO COOK pad.

When you touch the AUTO COOK pad once, "AC-1" will be displayed. By repeatedly touching this pad, you can select other food category as shown in below.

Auto Cook

1. Touch the AUTO COOK pad once for 3.5 oz. of POPCORN. AC-1 will be displayed.
2. Touch the AUTO COOK pad twice for 4PCS of BREAD. AC-2 will be displayed.
3. Touch the AUTO COOK pad three times for 12 oz. of SOUP. AC-3 will be displayed.
4. Touch the AUTO COOK pad four times for 3ea of BAKED POTATO. AC-4 will be displayed.
5. Touch the AUTO COOK pad five times for 8 oz. of FRESH VEGETABLE. AC-5 will be displayed.
6. Touch the AUTO COOK pad six times for 10 oz. of FROZEN VEGETABLE. AC-6 will be displayed.
Then touch the Start/+30sec. pad. The display will be changed into cooking time of quantity and the oven starts cooking.

When you use the AC-1, place the popcorn bag carefully so bag does not touch oven walls. The bag may be foled down as follows.



- NOTE:**
1. Use prepackaged room-temperature microwave popcorn.
 2. Place bag in oven according to manufacturer's directions.
 3. Pop only one bag at a time.
 4. After popping, open bag carefully: popcorn and steam are extremely hot.
 5. Do not reheat unpopped kernels or reuse bag.
 6. Do not leave oven unattended while popping popcorn.

CAUTION : If prepackaged popcorn is of a different weight than the recommended weight, do not use the AUTO COOK pad. Follow the manufacturer instruction.

Kitchen Timer

This feature operates as a kitchen timer.



1. Press and hold number 0 pad for 3 seconds.
The display will show you " - - : - -".
2. Touch the TIME SET pads to set the timer.

NOTE: Your oven can be programmed for 59minutes 99seconds (59:99).

3. Touch the Start/+30sec. Pad.

When you touch the Start/+30sec. Pad, the display counts down the timer to show how much time is left.

When the timer ends, you will hear 3 beeps.

CHILD SAFETY LOCK

The safety lock prevents unwanted oven operation such as by small children.

To set, touch and hold the STOP/CLEAR pad for 3 seconds, a beep sounds.

To cancel, touch and hold the STOP/CLEAR pad for 3 seconds, a beep sounds.

TO STOP THE OVEN WHILE THE OVEN IS OPERATING

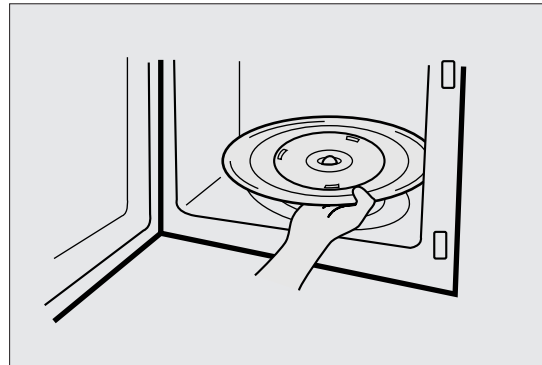
1. Touch the STOP/CLEAR pad.
 - You can restart the oven by touching the Start/+30sec. pad.
 - Touch the STOP/CLEAR pad once more to erase all instructions.
 - You must enter in new instructions.
2. Open the door.
 - You can restart the oven by closing the door and touching the Start/+30sec. pad.

NOTE: Oven stops operating when door is opened.

CARE OF YOUR MICROWAVE OVEN

The oven should be cleaned regularly and any food deposits removed. Failure to maintain the oven in a clean condition could lead to deterioration of the surface that could adversely affect the life of the appliance and possibly result in a hazardous situation.

- 1 Turn the oven off before cleaning.
- 2 Keep the inside of the oven clean. When food spatters or spilled liquids adhere to oven walls, wipe with a damp cloth. Mild detergent may be used if the oven gets very dirty. The use of harsh detergent or abrasives is not recommended.
- 3 The outside oven surface should be cleaned with soap and water, rinsed and dried with a soft cloth. To prevent damage to the operating parts inside the oven, water should not be allowed to seep into the ventilation openings.
- 4 If the Control Panel becomes wet, clean with a soft, dry cloth. Do not use harsh detergents or abrasives on Control Panel.
- 5 If steam accumulates inside or around the outside of the oven door, wipe with a soft cloth. This may occur when the microwave oven is operated under high humidity conditions and in no way indicates malfunction of the unit.
- 6 It is occasionally necessary to remove the glass tray for cleaning. Wash the tray in warm sudsy water or in a dishwasher.
- 7 The roller guide and oven cavity floor should be cleaned regularly to avoid excessive noise. Simply wipe the bottom surface of the oven with mild detergent water or window cleaner and dry. The roller guide may be washed in mild sudsy water.

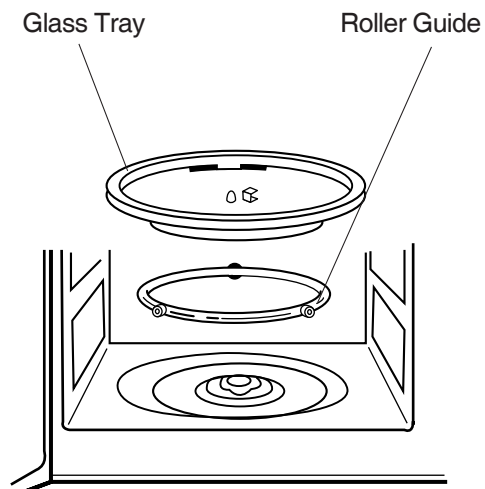


ROLLER GUIDE

- 1 The ROLLER GUIDE and oven floor should be cleaned frequently to prevent excessive noise.
- 2 The ROLLER GUIDE MUST ALWAYS be used for cooking together with the Glass Tray.

GLASS TRAY

- 1 DO NOT operate the oven without the Glass Tray in place.
- 2 DO NOT use any other Glass Tray with this oven.
- 3 If Glass Tray is hot, ALLOW TO COOL before cleaning or placing it in water.
- 4 DO NOT cook directly on the Glass Tray. (Except for popcorn)



BEFORE YOU CALL FOR SERVICE

Refer to following checklist, you may prevent an unnecessary service call.

*** The oven doesn't work :**

1. Check that the power cord is securely plugged in.
2. Check that the door is firmly closed.
3. Check that the cooking time is set.
4. Check for a blown circuit fuse or tripped main circuit breaker in your house.

*** Sparking in the cavity;**

1. Check utensils. Metal containers or dishes with metal trim should not be used.
2. Check that metal skewers or foil does not touch the interior walls.
3. Check if there is dirt or grease on waveguide cover.

If there is still a problem, contact the service station.
A list of these stations is included in the oven.

CARE AND CLEANING

Although your oven is provided with safety features, it is important to observe the following:

1. It is important not to defeat or tamper with safety interlocks.
2. Do not place any object between the oven front face and the door or allow residue to accumulate on sealing surfaces. Wipe the sealing area frequently with a mild detergent, rinse and dry. Never use abrasive powders or pads.
3. When opened, the door must not be subjected to strain, for example, a child hanging on an opened door or any load could cause the oven to fall forward to cause injury and also damage to the door. Do not operate the oven if it is damaged, until it has been repaired by a competent service technician. It is particularly important that the oven closes properly and that there is no damage to the:
 - i) Door(bent)
 - ii) Hinges and Hookes(broken or loosened)
 - iii) Door seals and sealing surfaces.
4. The oven should not be adjusted or repaired by anyone except a properly competent service technician.
5. The oven should be cleaned regularly and any food deposits removed;
6. Failure to maintain the oven in a clean condition could lead to deterioration of the surface that could adversely affect the life of the appliance and possibly result in a hazardous situation.

QUESTIONS AND ANSWERS

*** Q : I accidentally ran my microwave oven without any food in it. Is it damaged?**

A : Running the oven empty for a short time will not damage the oven. However, it is not recommended.

*** Q : Can the oven be used with the glass tray or roller guide removed?**

A : No. Both the glass tray and roller guide must always be used in the oven before cooking.

*** Q : Can I open the door when the oven is operating?**

A : The door can be opened anytime during the cooking operation. Then microwave energy will be instantly switched off and the time setting will maintain until the door is closed.

*** Q : Why do I have moisture in my microwave oven after cooking?**

A : The moisture on the side of your microwave oven is normal. It is caused by steam from cooking food hitting the cool oven surface.

*** Q : Does microwave energy pass through the viewing screen in the door?**

A : No. The metal screen bounces back the energy to the oven cavity. The holes are made to allow light to pass through. They do not let microwave energy pass through.

*** Q : Why do eggs sometimes pop?**

A : When baking or poaching eggs, the yolk may pop due to steam build-up inside the yolk membrane. To prevent this, simply pierce the yolk with a toothpick before cooking. Never cook eggs without piercing their shells.

*** Q : Why this standing time recommended after the cooking operation has been completed?**

A : Standing time is very important. With microwave cooking, the heat is in the food, not in the oven. Many foods build up enough internal heat to allow the cooking process to continue, even after the food is removed from the oven. Standing time for joints of meat, large vegetables and cakes is to allow the inside to cook completely, without overcooking the outside.

*** Q : What does "standing time" mean?**

A : "Standing time" means that food should be removed from the oven and covered for additional time to allow it to finish cooking. This frees the oven for other cooking.

*** Q : Why does my oven not always cook as fast as the microwave cooking guide says?**

A : Check your cooking guide again, to make sure you've followed directions exactly ; and to see what might cause variations in cooking time. Cooking guide times and heat settings are suggestions, to help prevent over-cooking... the most common problem in getting used to a microwave oven. Variations in the size, shape and weights and dimensions could require longer cooking time. Use your own judgement along with the cooking guide suggestions to check whether the food has been properly cooked just as you would do with a conventional cooker.

*** Q : Will the microwave oven be damaged if it operates while empty?**

A : Yes. Never run it empty.

*** Q : Can I operate my microwave oven without the turntable or turn the turntable over to hold a large dish?**

A : No. If you remove or turn over the turntable, you will get poor cooking results. Dishes used in your oven must fit on the turntable.

*** Q : Is it normal for the turntable to turn in either direction?**

A : Yes. The turntable rotates clockwise or counterclockwise, depending on the rotation of the motor when the cooking cycle begins.

*** Q : Can I pop popcorn in my microwave oven? How do I get the best results?**

A : Yes. Pop packaged microwave popcorn following manufacture's guidelines. Do not use regular paper bags. Use the "listening test" by stopping the oven as soon as the popping slows to a "pop" every 1 or 2 seconds. Do not repop unpopped kernels. Do not pop popcorn in glass cookware.

COOKING INSTRUCTIONS

Utensil Guide

Only use utensils that are suitable for use in microwave ovens.

To cook food in the microwave oven, the microwaves must be able to penetrate the food, without being reflected or absorbed by the dish used. Care must therefore be taken choosing the utensil. If the utensil is marked microwave-safe, you do not need to worry. The following table lists various of utensil and indicates whether and how they should be used in a microwave oven.

Utensil	Safe	Comments
Aluminium foil	▲	Can be used in small quantities to protect areas against overcooking. Arcing can occur if the foil is too close to the oven wall or if too much foil is used.
Crust plate	●	Do not preheat for more than 8minutes.
China and earthenware	●	Porcelain, pottery, glazed earthenware and bone china are usually suitable, unless deco-rated with a metal trim.
Disposable polyester cardboard dishes	●	Some frozen foods are packaged in these dishes.
Fast-food packaging • Polystyrene cups containers • Paper bags or newspaper • Recycled paper or metal trims	● × ×	Can be used to warm food. Overheating may cause the polystyrene to melt. May catch fire. May cause arcing.
Glassware • Oven-to-table ware • Fine glassware • Glass jars	● ● ●	Can be used, unless decorated with a metal trim. Can be used to warm foods or liquids. Delicate glass may break or crack if heated suddenly. Must remove the lid. Suitable for warming only.
Metal • Dishes • Freezer bag twist ties	× ×	May cause arcing or fire.
Paper • Plates, cups, napkins and Kitchen paper • Recycled paper	● ×	For short cooking times and warming. Also to absorb excess moisture. May cause arcing.
Plastic • Containers • Cling film • Freezer bags	● ● ▲	Particularly if heat-resistant thermoplastic. Some other plastics may warp or discolour at high temperatures. Do not use Melamine plastic. Can be used to retain moisture. Should not touch the food. Take care when removing the film as hot steam will escape. Only if boilable or oven-proof. Should not be airtight. Prick with a fork, if necessary.
Wax or grease-proof paper	●	Can be used to retain moisture and prevent spattering.

● : Recommended use

▲ : Limited Use

× : Not Recommended

USE YOUR MICROWAVE OVEN SAFELY

General Use

Do not attempt to defeat or tamper with safety interlocks.

Do not place any object between the oven front frame and the door or allow residue to build up on sealing surfaces. Wipe with a mild detergent, rinse and dry. Never use abrasive powders or pads.

Do not subject the oven door to strain or weight such as a child hanging on an open door.

This could cause the oven to fall forward resulting in injury to you and damage to the oven.

Do not operate the oven if door seals or sealing surfaces are damaged; or if door is bent; or if hinges are loose or broken.

Do not operate the oven empty. This will damage the oven.

Do not attempt to dry clothes, newspapers or other materials in the oven. They may catch on fire.

Do not use recycled paper products as they may contain impurities which may cause sparks or fires.

Do not hit or strike the control panel with hard objects. This can damage the oven.

Food

Never use your microwave oven for home canning. The oven is not designed for proper home canning. Improperly canned food may spoil and be dangerous to consume.

Always use the minimum recipe cooking time. It is better to undercook rather than overcook foods.

Undercooked foods can be returned to the oven for more cooking. If food is overcooked, nothing can be done.

Heat small quantities of food or foods with low moisture carefully. These can quickly dry out, burn or catch on fire.

Do not heat eggs in the shell. Pressure may build up and eggs can explode.

Potatoes, apples, egg yolks and sausages are examples of food with non-porous skins.

These must be pierced before cooking to prevent bursting.

Do not attempt to deep fat fry in your microwave oven. Always allow a standing time of at least 20 seconds after the oven has been switched off to allow the

temperature to even out, stir during heating, if necessary, and ALWAYS stir after heating. To prevent eruptive boiling and possible scalding, you should put a spoon or glass stick into the beverages and stir before, during and after heating.

Do not leave the oven unattended while popping corn. Do not pop corn in a paper bag unless it is the commercially prepared Microwave Popcorn product. The kernels can overheat and ignite a brown paper bag.

Do not put packaged Microwave Popcorn bags directly on the oven tray. Place the package on a microwave safe glass or ceramic plate to avoid overheating and cracking the oven tray.

Do not exceed the Microwave Popcorn manufacturers suggested popping time.

Longer popping does not yield more popcorn but it can result in scorch, burn or fire. Remember, the Popcorn bag and tray can be too hot to handle. Remove with caution and use pot holders.

ARCING

If you see arcing, open the door and correct the problem.

Arcing is the microwave term for sparks in the oven.

Arcing is caused by:

- Metal or foil touching the side of the oven.
- Foil not molded to food (upturned edges act like antennas).
- Metal, such as twist-ties, poultry pins, or gold rimmed dishes, in the microwave.
- Recycled paper towels containing small metal pieces being used in the microwave.



Limited Warranty

MC Appliance Corporation warrants each new Microwave Oven to be free from defects in material and workmanship, and agrees to remedy any such defect or to furnish a new part(s), at the company's option, for any part(s) of the unit that have failed during the warranty period. Parts and labor expenses are covered on this unit for a period of one year from the date of purchase. A copy of the dated sales receipt or invoice is required to receive warranty service by an authorized service agent.

In addition, MC Appliance Corporation warrants the magnetron (parts only) to be free from defects in material and workmanship for a period of eight years.

The consumer is responsible for all labor and transportation expenses related to the diagnosis and replacement of the magnetron after the initial one-year warranty expires. In the event the unit requires replacement or refund under the terms of this warranty, the consumer is responsible for all transportation expenses to return the unit to our factory prior to receiving a replacement unit or refund. A copy of the dated sales receipt/invoice is required to receive warranty service, replacement or refund.

This warranty covers appliances in use within the continental United States, Alaska, Hawaii and Puerto Rico. This warranty does not cover the following:

- Damages due to shipping damage or improper installation.
- Damages due to misuse or abuse.
- Content losses due to failure of the unit.
- Inside components such as turntable, roller guide, light bulbs, etc.
- Repairs performed by unauthorized service agents.
- Service calls that do not involve defects in material and workmanship such as instructions on proper use of the product or improper installation.
- Replacement or resetting of house fuses or circuit breakers.
- Failure of this product if used for other purposes than its intended purpose.
- Disposal costs for any failed unit not returned to our factory.
- Any delivery/installation costs incurred as the result of a unit that fails to perform as specified.
- Expenses for travel and transportation for product service if your appliance is located in a remote area where service by an authorized service technician is not available.
- The removal and reinstallation of your appliance if it is installed in an inaccessible location or is not installed in accordance with published installation instructions.
- Refunds for non repairable products are limited to the price paid for the unit per the sales receipt.

Limitations of Remedies and Exclusions:

Product repair in accordance with the terms herein, is your sole and exclusive remedy under this limited warranty. Any and all implied warranties including merchantability and fitness for a particular purpose are hereby limited to one year or the shortest period allowed by law. MC Appliance Corporation is not liable for incidental or consequential damages and no representative or person is authorized to assume for us any other liability in connection with the sale of this product. Under no circumstances is the consumer permitted to return this unit to the factory without the prior written consent of MC Appliance Corporation.

Some states prohibit the exclusion or limitation of incidental or consequential damages, or limitations on implied warranties. This warranty gives you specific legal rights, and you may also have other rights which vary from state to state.

Model	Parts & Labor	Magnetron (Parts Only)	Type of Service
MCD993W / MCD993B / MCD993R	One Year	Eight Years	Carry In

For Service or Assistance please call 888-775-0202 or visit us on the web at www.mcappliance.com to request warranty service or order parts.



**CNA International, Inc. d/b/a MC Appliance Corporation. All rights reserved.
Magic Chef® logo is a registered trademark of CNA International, Inc.**

www.mcappliance.com

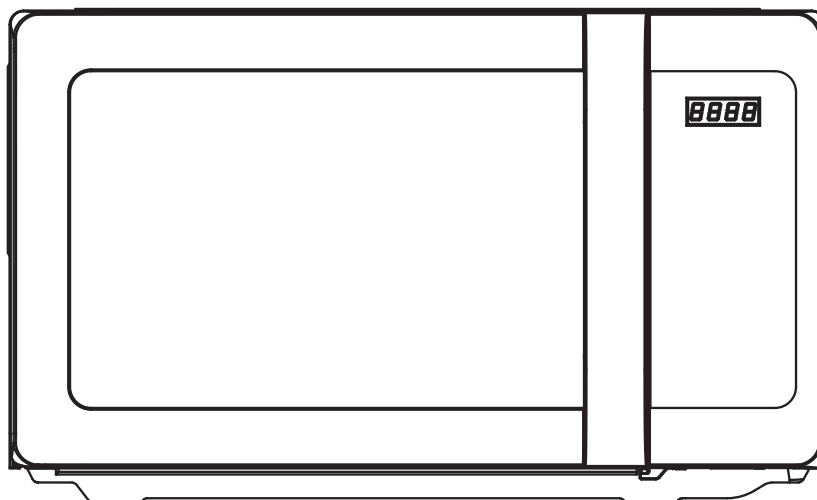
Printed in China



Magic Chef®

0.9 Cu. Ft. Encimera horno de microondas

Manual del usuario



Modelo MCD993W/MCD993B/ MCD993R

**LEA ESTE MANUAL ANTES DE UTILIZAR SU HORNO DE
MICROONDAS Y GUÁRDELO PARA FUTURA REFERENCIA.**



Registración del producto

Gracias por comprar el producto Magic Chef. El primer paso para proteger su nuevo producto es completar la forma de registración en nuestra página web: www.mcappliance/register. Los beneficios de registrar su producto incluyen lo siguiente:

1. Al registrar su producto nos permite contactarle para notificarle de un cambio de seguridad o actualización del producto.
2. Si llegara a necesitar servicio bajo garantía, registrando su producto nos permite ser más eficiente en procesar el servicio.
3. En el evento que usted tenga una pérdida que esta cubierto por un seguro, registrando su producto puede servir como prueba de su compra.

Una vez más gracias por comprar un producto marca Magic Chef.

PRECAUCIONES QUE DEBEN TENERSE PARA EVITAR QUEDAR EXPUESTO A LA ENERGIA DIRECTA DE MICROONDAS.

- (a) **No intente operar el horno con la puerta abierta**, ya que la operación en tal condición puede causarle un daño muy grave debido a la exposición directa con la energía de microondas. Es importante no obstruir los orificios de sujeción de los ganchos de seguridad de la puerta.
- (b) **No coloque ningún objeto** entre la puerta y el gabinete tampoco permita la acumulación de grasa e impurezas en los orificios de sujeción de los seguros de la puerta.
- (c) **No opere el horno en caso de estar dañado**. Es particularmente importante que la puerta del horno cierre adecuadamente y que no esté floja, así mismo que las bisagras y los ganchos del seguro de la puerta no estén rotos, retorcidos o flojos. Si así fuese, acuda al centro de servicio autorizado.
- (d) El horno deberá repararse únicamente por el personal de servicio técnico capacitado.

TABLA DE CONTENIDO

• PRECAUCIONES.....	1
• INSTRUCCIONES IMPORTANTES DE SEGURIDAD	2
• DECLARACIÓN SOBRE INTERFERENCIA DE RADIOFRECUENCIAS DE LA COMISION FEDERAL DE COMUNICACIONES	3
• INSTRUCCIONES DE CONEXIÓN A TIERRA	3
• INSTALACIÓN.....	4
• ESPECIFICACIONES	5
• DIAGRAMA DE CARACTERÍSTICAS	6
• DIAGRAMA DE CARACTERÍSTICA (CONTINUACIÓN).....	7
• PROCEDIMIENTO DE OPERACIÓN	8
• FUNCIONES DEL PANEL DE CONTROL	9
CÓMO CONFIGURAR EL RELOJ.....	9
+30 SEG	9
DESCONGELAR POR PESO	10
DESCONGELAR POR TIEMPO	10
COCCIÓN CON MICROONDAS	11
CÓMO COCINAR EN DOS ETAPAS	11
COCCIÓN AUTOMÁTICA	12
TEMPORIZADOR DE LA COCINA	13
SEGURO DE NIÑOS	13
DETENER EL HORNO MIENTRAS ESTA EN FUNCIONAMIENTO	13
• CUIDADO DE SU HORNO DE MICROONDAS.....	14
• ANTES DE LLAMAR AL SERVICIO TECNICO.....	15
• CUIDADO Y LIMPIEZA	15
• PREGUNTAS Y RESPUESTAS	16
• INSTRUCCIONES DE COCCIÓN	17
• UTILICE SU HORNO DE MICROONDAS CON SEGURIDAD	18
• ARCO ELÉCTRICO.....	18

INSTRUCCIONES IMPORTANTES DE SEGURIDAD

Cuando se usan equipos eléctricos deben seguirse ciertas reglas básicas de seguridad, incluyendo lo siguiente: **ADVERTENCIA - Para reducir el riesgo de quemaduras, descargas eléctricas, incendio, daños a personas o exposición excesiva a la energía de microondas:**

1. Lea todas las Instrucciones antes de usar el equipo.
 2. Lea y siga las recomendaciones en:
“PRECAUCIONES QUE DEBEN TENERSE PARA EVITAR QUEDAR EXPUESTO A LA ENERGÍA EXCESIVA DE MICROONDAS” señalado en la pág. 1.
 3. Este equipo debe tener una conexión de tierra, lea las “INSTRUCCIONES DE CONEXION A TIERRA”, encontradas en la pág. 3.
 4. Instale o coloque este aparato de acuerdo únicamente con las instrucciones de instalación proporcionadas.
 5. Algunos productos como los huevos de ave y algunos contenedores como frascos de vidrio cerrados, pueden estallar y no deben ser calentados en este horno.
 6. Utilice este equipo sólo para el propósito por el cual fue diseñado, especificado en este manual. No use químicos corrosivos en este equipo. Este tipo de horno ha sido diseñado exclusivamente para calentar, cocinar o descongelar alimentos. No está diseñado para uso industrial o de laboratorio.
 7. Permita solamente que los niños utilicen el horno bajo la supervisión de un adulto y que las instrucciones les sean explicadas de modo que el niño pueda utilizar el horno de forma segura y entienda los riesgos de utilizarlo de una manera incorrecta.
 8. No use el horno si tiene dañado el cable de alimentación o clavija, si funciona de manera inapropiada o si ha sufrido alguna caída.
 9. Este equipo debe ser revisado, ajustado o reparado solamente por el personal autorizado de servicio. Contacte al centro de servicio autorizado más cercano para facilitar, la reparación y ajuste.
 10. No cubra o bloquee ninguna salida de ventilación del equipo.
 11. No almacene el equipo en el exterior. No utilice este producto cerca de agua- Por ejemplo, cerca de un lavaplatos, en un sótano mojado, o cerca de un estanque, o las ubicaciones semejantes.
 12. No sumerja en agua el cable de alimentación o clavija.
 13. Mantenga el cable de alimentación alejado de superficies calientes.
 14. No deje el cable de alimentación colgado sobre el borde de la mesa o mostrador.
 15. Cuando se limpien las superficies que entran en contacto al cerrar la puerta, use jabones o detergentes suaves aplicados con esponja o paño suave.
 16. Para reducir el riesgo del fuego en la cavidad del horno:
 - a) No recueza los alimentos. Tenga especial cuidado con el equipo cuando papel, plástico u otras materias combustibles se colocan dentro del horno para facilitar la cocción
 - b) Quite las ataduras de alambre de las bolsas de plástico o papel antes de introducir las en el horno.
 - c) Si los materiales dentro del horno se encienden, mantenga la puerta del horno cerrada, apague el horno y desconecte el cable de alimentación.
 - d) No utilice el horno para almacenar, no deje productos de papel, utensilios de cocina o comida en el interior del horno cuando éste se encuentre sin operar.
17. Los líquidos, tal como agua, el café, o el té pueden ser calentados más allá del punto de ebullición sin que parezcan que hierven debido a la tensión de superficie del líquido. No siempre se visualiza el burbujeo en los líquidos cuando se retiran de horno de microondas.
- ESTO PODRIA TENER COMO RESULTADO QUE LIQUIDOS MUY CALIENTES REPENTINAMENTE HIERVAN CUANDO SE LES INTRODUCE UNA CUCHARA U OTRO UTENSILIO.**
- Para reducir el riesgo de lesión a las personas:
- a) No recaliente el líquido.
 - b) Revuelva los líquidos antes y durante del calentamiento.
 - c) No utilice directamente contenedores de lados con cuellos estrechos.
 - d) Después de calentar, permita que el envase esté parado en el horno de microondas por un tiempo corto antes de quitar el envase.
 - e) Tenga especial cuidado cuando mete una cuchara u otro utensilio en el contenedor.
18. No use el horno para calentar corrosivos químicos como por ejemplo: sulfatos y cloratos, los vapores de tales corrosivos pueden interactuar con los contactos y resortes de las cerraduras dañandolos de forma permanente.
19. Mantenga limpia la cubierta de la salida de microondas. Limpie el interior del horno con un trapo suave después de usarlo. Si usted deja grasa en cualquier parte de el interior del horno, está podría sobrecalentarse, o prenderse cuando el horno sea utilizado nuevamente.
20. Nunca caliente aceite o grasa para freír en el horno ya que no podrá controlar la temperatura y pueden sobrecalentarse, y provocar fuego.
21. No opere el horno sin la bandeja de cristal en su lugar. Asegúrese que este puesta correctamente en la base que gira.

CONSERVE ESTE MANUAL DE INSTRUCCIONES

DECLARACIÓN SOBRE INTERFERENCIA DE RADIOFRECUENCIAS DE LA COMISIÓN FEDERAL DE COMUNICACIONES

ADVERTENCIA:

Este equipo genera y utiliza energía de frecuencia ISM, por lo que si no es instalado y utilizado apropiadamente, conforme a las instrucciones del fabricante, podría causar interferencia en la recepción de la radio y televisión.

Este producto ha sido clasificado y probado; encontrándose que satisface los términos para un equipo ISM, según la sección 18 del reglamento FCC, que está planteada para ofrecer protección apropiada contra aquella interferencia en instalaciones residenciales.

No obstante, no se garantiza que la interferencia no llegue a ocurrir en alguna instalación en particular. Si este equipo ocasiona interferencia en la recepción de radio o televisión, la cual puede suceder al momento de encender o apagar el equipo, entonces será preciso que el usuario intente corregir dicha interferencia mediante alguna de las siguientes indicaciones:

- Reoriente la antena de recepción de radio o televisión.
- Reubique el horno de microondas con respecto al receptor.
- Aleje el horno de microondas del equipo receptor.
- Conecte el horno de microondas en una toma de corriente diferente, de forma que el horno de microondas y el receptor se alimenten de distintos circuitos eléctricos.

EL FABRICANTE no es responsable por cualquier interferencia de radio o TV causada por una MODIFICACION NO AUTORIZADA al horno de microondas.

Es responsabilidad del usuario corregir dicha interferencia.

INSTRUCCIONES DE CONEXIÓN A TIERRA

Este equipo debe de estar conectado a tierra; ya que en caso de un corto circuito, el cable a tierra reduce el riesgo de sufrir una descarga eléctrica al proporcionar una trayectoria de escape a la corriente eléctrica.

Por lo tanto este aparato está equipado con una clavija polarizada que contiene una terminal para la conexión a tierra, la cual debe de conectarse a un contacto que esté propiamente instalado y conectado a tierra.

ADVERTENCIA:

La conexión inapropiada a tierra puede ser un factor de riesgo de sufrir una descarga eléctrica.

Consulte a un electricista calificado o al personal de servicio, si las instrucciones de instalación no son completamente entendibles o si existe alguna duda de que el equipo esté conectado adecuadamente a tierra, cuide también:

- (1) Si es necesario utilizar una extensión de corriente, entonces use únicamente extensiones de tres cables, con clavija polarizada con contacto a tierra, y que a su vez el contacto de la extensión se ajuste a la clavija del equipo. La capacidad eléctrica de la extensión debe de ser cuando menos de la misma que la del cable del horno.

ADVERTENCIA:

No retire la tercera pata (tierra) del cable de alimentación bajo ninguna circunstancia.

INSTALACIÓN

1. Examine el horno después de abrirlo.

Revise que no esté dañado, no tenga abolladuras, que la puerta esté alineada y que la cavidad no esté rayada o abollada. Si existe algún desperfecto visible, NO INSTALE EL HORNO y notifíquelo inmediatamente a su vendedor.

2. Superficie regular y estable.

Coloque el microondas sobre una superficie plana y estable.

3. Ventilación.

No obstruya las rejillas de ventilación. Si estas son bloqueadas durante la operación, el horno se puede calentar excesivamente y eventualmente tener alguna falla.

Para proporcionarle la adecuada ventilación, mantenga como mínimo 7 cm de espacio entre cualquier costado del horno y el lugar en donde va a instalarse.

4. Manténgalo alejado de equipos de radio y televisión.

Una mala recepción de televisión e interferencia en la radio pueden presentarse si el horno está colocado cerca de la TV, radio, antena, etc., Mantenga alejado el horno de microondas de estos equipos lo más que se pueda.

5. Manténgalo alejado de equipos generadores de calor y de llaves de agua.

No coloque el equipo en lugares calurosos y húmedos, para prevenir el riesgo de incendio o de sufrir una descarga eléctrica. Asimismo no lo instale cerca de la tarja.

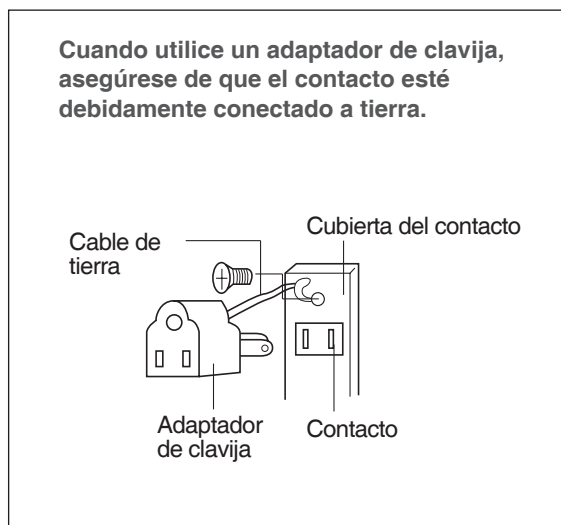
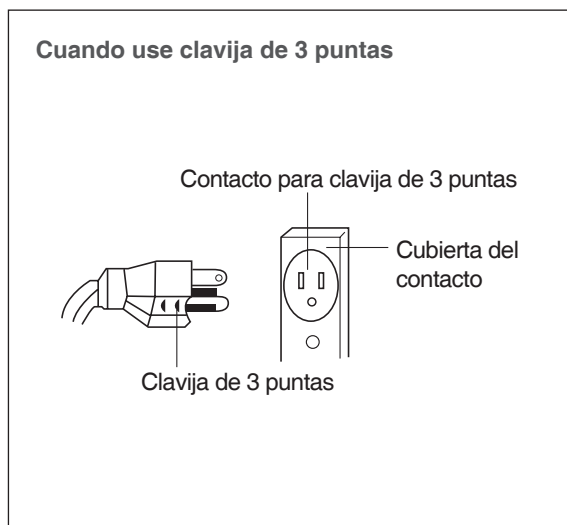
6. Suministro de Energía - Revise el voltaje de su domicilio.

Este horno de microondas requiere una corriente aproximada de 12.5 A a 120V~ 60 Hz y con contacto polarizado con conexión a tierra. Este horno tiene suministrado un cable de corriente corto; esto es con la intención de prevenir el riesgo de llegar a enredarse o tropezar con él. Se puede llegar a utilizar juegos de cable más largos o extensiones de corriente, siempre y cuando se tenga el debido cuidado en su uso.

Si se utiliza un cable largo o una extensión, entonces el rango eléctrico del cable (calibre) o de la extensión debe de ser por lo menos del mismo tipo que el usado en el horno.

El cable de extensión debe de ser del tipo de 3 conductores. El cable largo debe de acomodarse de forma que no se pueda producir un accidente, debido al tropezar o enredarse con él y a su vez de no quedar al alcance de los niños.

7. El espacio mínimo necesario que debe haber sobre la parte superior del horno es de 10 cm.



“EL REGLAMENTO ELECTRICO CANADIENSE NO PERMITE EL USO DE ADAPTADORES DE TIERRA”

ESPECIFICACIONES

ALIMENTACIÓN		120V~ 60Hz EN FASE SENCILLA CON CONEXIÓN TIERRA
MICROONDAS	CONSUMO	1350 W
	ENERGÍA DE SALIDA	900 W
	FRECUENCIA	2,450MHz
DIMENSIONES EXTERNAS APROX. (An.X Al.XFond.)		18.3 x 11.0 x 14.6 pulgadas
DIMENSIONES DE LA CAVIDAD APROX. (An.X Al.XFond.)		12.4 x 9.3 x 13.6 pulgadas
CAPACIDAD		0,9 pies cúbicos
PESO NETO		24.7 lbs
CRONOMETRO		59 min. 99 seg
NIVELES DE POTENCIA		10 niveles

**Las especificaciones pueden cabiar sin previo aviso para mejoras del equipo.*

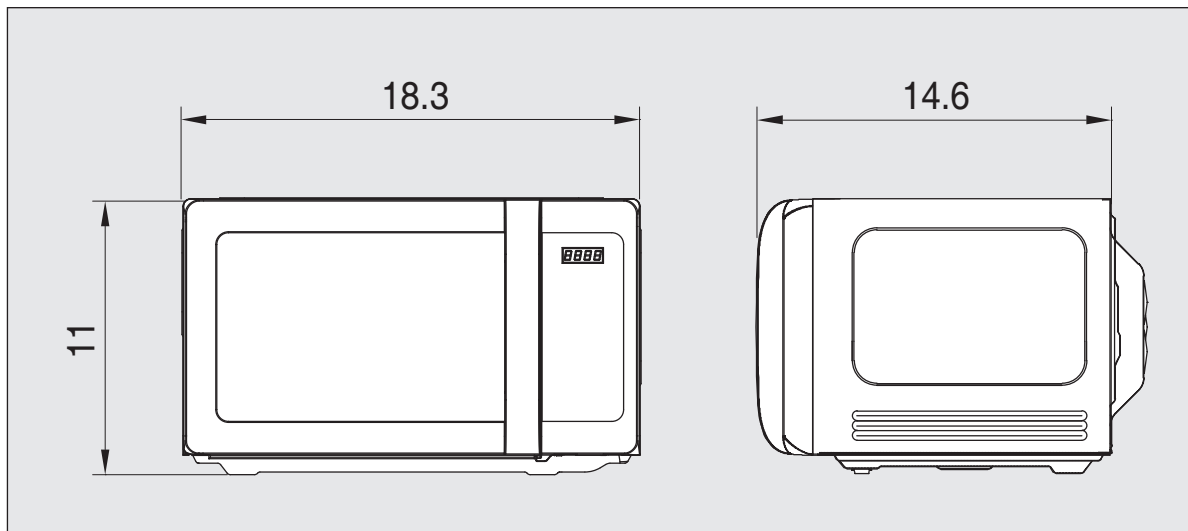
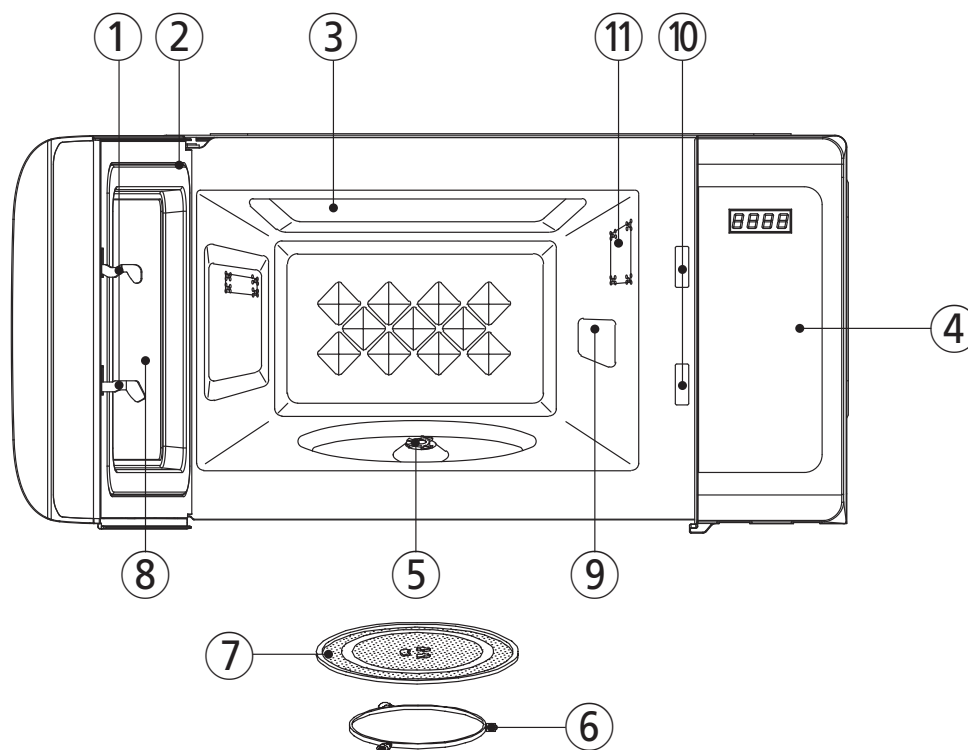
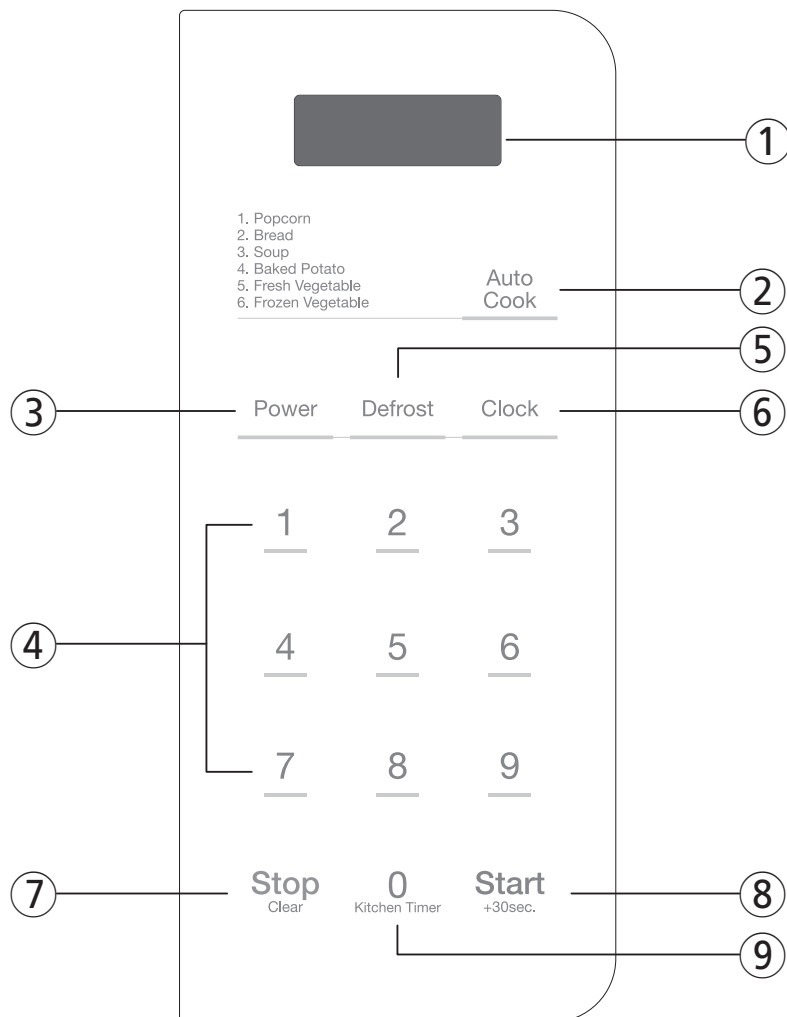


DIAGRAMA DE CARACTERÍSTICAS



- ① **Seguro de cierre de la puerta** - Al cerrarse la puerta, éste se apagará automáticamente. Si la puerta se abre mientras el horno esté funcionando, el magnetrón se apagará automáticamente.
- ② **Sello de la puerta** - Las superficies de sellado de la puerta impiden que las microondas escapen del interior del horno.
- ③ **Interior del horno**
- ④ **Panel de control**
- ⑤ **Acoplador** - Se fija sobre el eje en el centro del fondo interior del horno. Debe permanecer en él en toda cocción.
- ⑥ **Guía de rodillo** - Siempre tendrá que usarse para cocinar junto con la bandeja de vidrio correspondiente.
- ⑦ **Bandeja de vidrio para cocinar** - Hecha de vidrio especial resistente al calor. Esta bandeja tiene que estar siempre bien colocada antes de echar a andar el equipo. No cocinar alimentos directamente en la bandeja.
- ⑧ **Pantalla para visualizar** - Permite visualizar los alimentos. La pantalla está diseñada de manera que pase la luz y no pasen las microondas.
- ⑨ **Cubierta de la guía de ondas** - Protege la salida de las microondas contra las salpicaduras de los alimentos que se cocinan.
- ⑩ **Sistema de bloqueo de seguridad**
- ⑪ **Lámpara del horno** - Se enciende automáticamente durante el funcionamiento del horno.

DIAGRAMA DE CARACTERÍSTICA (CONTINUACIÓN)



- ① **Pantalla** - Muestra el tiempo de cocinado, nivel de potencia, indicadores y el reloj.
- ② **COCCIÓN AUTOMÁTICA** - Se usa para cocinar fácil y automáticamente ciertos tipos de alimentos comunes.
- ③ **POTENCIA** – Ajusta el nivel de potencia.
- ④ **Botones numéricos** - Use para ajustar el tiempo de cocinado y el tiempo actual.
- ⑤ **DESCONGELAR** - Se usa para descongelar alimentos en función del peso y del tiempo.
- ⑥ **Reloj** - Use para ajustar el reloj.
- ⑦ **PARAR / BORRAR** - Se usa para parar el funcionamiento del horno o borrar los datos de cocción.
- ⑧ **INICIAR / +30 SEG** - Se usa para echar a andar el horno y también para fijar un tiempo de recalentamiento.
- ⑨ **TEMPORIZADOR DE LA COCINA** - Presionar y mantener presionada la tecla del número "0" por 3 segundos para configurar el temporizador de la cocina.

PROCEDIMIENTO DE OPERACIÓN

Esta sección presenta información importante sobre el manejo del horno:

- 1** Revise que el suministro de energía sea monofásico de 120V ~ 60Hz con conexión a tierra y que de una corriente de 12 A.
- 2** Ponga los alimentos en un recipiente adecuado para microondas. Después, abra la puerta del horno y coloque el recipiente sobre el plato de cristal. El plato de cristal deberá girar y permanecer en su lugar durante la cocción de los alimentos.
- 3** Cierre la puerta. Asegúrese que esté bien cerrada.
- 4** La luz interior se enciende solamente cuando el horno de microondas está en operación.
- 5** La puerta puede abrirse en cualquier momento para hacerlo oprima el pad de apertura del panel de control. El horno se detendrá automáticamente.
- 6** Cada vez que oprima alguno de los botones de las funciones del panel de control, se oír un sonido para reconocer la función.
- 7** El horno cocina automáticamente en potencia máxima, a menos que se indique algún nivel de potencia inferior.
- 8** La pantalla muestra “ : 0” cuando el horno es conectado a la toma de corriente.
- 9** Al término de algún proceso de cocción, en la pantalla se volverá a mostrar la hora del reloj.
- 10** Cuando se oprima la función PARAR/Borrar durante el funcionamiento del horno; éste suspenderá el cocinado pero conservará la información del tiempo de cocción restante. Para borrar toda la información (excepto de la hora actual) oprima la función PARAR/Borrar una vez más. Si la puerta se abre durante el funcionamiento del horno, la información también se detendrá.
- 11** Si oprime el pad INICIO y el horno no opera, verifique que el área entre la puerta y el sello de la puerta no esté obstruida y revise que la puerta se encuentre bien cerrada. El horno no comenzará a cocinar hasta que la puerta se haya cerrado completamente o que el programa de cocción haya sido seleccionado nuevamente.

Asegúrese de instalar adecuadamente el horno y verifique que se encuentre bien conectado en la toma de corriente.

TABLA DE NIVELES DE POTENCIA

- El nivel de potencia se ajusta por medio del pad de POTENCIA.
La siguiente tabla muestra la indicación en la pantalla y su respectivo nivel y porcentaje de potencia.

Oprimir el pad de POTENCIA	Nivel de Potencia (Indicado en pantalla)	Porcentaje aproximado de Potencia
Una vez	P-HI	100%
Dos veces	P-90	90%
3 veces	P-80	80%
4 veces	P-70	70%
5 veces	P-60	60%
6 veces	P-50	50%
7 veces	P-40	40%
8 veces	P-30	30%
9 veces	P-20	20%
10 veces	P-10	10%
11 veces	P-00	0%

FUNCIONES DEL PANEL DE CONTROL

CÓMO CONFIGURAR EL RELOJ

Cuando el horno se conecte por primera vez a la toma de corriente, la pantalla digital desplegará “: 0” y se escuchará un beep. Si la energía se suspende momentáneamente, y luego regresa, la pantalla digital volverá a desplegar “: 0”.

Clock

1. Presione el pad RELOJ.
Se muestra el modo de 12 horas.
2. Presione el pad RELOJ una vez más.
Se muestra el modo de 24 horas.
3. Ingrese el tiempo correcto presionando los botones numéricos en la secuencia correcta.
4. Presione el pad RELOJ.

NOTA : Este horno cuenta con sistema dual de horario. Si usted desea dese el sistema de 12 horas, omite este paso.

La pantalla parpadeara y el indicador comenzará a parpadear. Si usted el sistema de 12 horas, el reloj digital permite ajustar la hora de 1:00 a 12:59.
Si usted desea el sistema de 24 horas, el reloj digital permite ajustar la hora de 0:00 a 23:59. .

NOTA: Si usted ingresa un valor incorrecto, la hora no podrá ajustars y se escuchará un beep.
Presione el pad RELOJ una vez más para ajustar la hora.

+30 SEG

+30 sec permite recalentar por segundos a plena potencia simplemente al pulsar la tecla Iniciar/+30sec.

Al pulsar repetidamente la tecla Iniciar/+30sec. se puede extender también el tiempo de recalentamiento hasta 5 minutos en incrementos de 30 segundos.

Start +30sec.

1. Pulsar la tecla Iniciar/+30sec.
Al pulsar la tecla Iniciar/+30sec., se muestra “:30”
Luego de 1.5 segundos, el horno comienza a recalentar

DESCONGELAR POR PESO

Al seleccionar DESCONGELAR, el ciclo automático divide el tiempo de descongelar en períodos alternos de descongelación e inactividad encendiéndose y apagándose.

Defrost

1. Pulsar la tecla DEFROST (DESCONGELAR). Este es el modo para descongelar por peso. La pantalla mostrará "0.0"
2. Pulsar las teclas TIME SET (CONFIGURACIÓN DEL TIEMPO) para ingresar los pesos deseados. La pantalla mostrará qué se pulsó.

NOTA: El horno puede programarse para el rango de 0.4 lb. a 3.5 lb. en el modo de descongelar por peso.

3. Pulsar la tecla Iniciar/+30sec.
-

El tiempo de descongelación se determina automáticamente por el peso introducido. Al pulsar la tecla Iniciar/+30sec., la pantalla inicia el conteo regresivo para mostrar cuánto tiempo queda. El horno emitirá pitidos durante el ciclo de descongelación para avisar que el alimento necesita voltearse o acomodarse. Al finalizar el tiempo de descongelación se escucharán 3 pitidos.

DESCONGELAR POR TIEMPO

Al seleccionar DESCONGELAR, el ciclo automático divide el tiempo de descongelar en períodos alternos de descongelación e inactividad encendiéndose y apagándose.

Defrost

1. Pulsar dos veces la tecla DEFROST (DESCONGELAR). Este es el modo para descongelar por tiempo. La pantalla mostrará ": 0".
2. Pulsar las teclas TIME SET (CONFIGURACIÓN DEL TIEMPO) para ingresar el tiempo deseado. La pantalla mostrará qué se pulsó.

NOTA: El horno puede programarse hasta por 59 minutos 99 segundos. (59:99).

3. Pulsar la tecla Iniciar/+30sec.
-

Al pulsar la tecla Iniciar/+30sec., la pantalla inicia el conteo regresivo del plazo para mostrar cuánto tiempo queda. El horno emitirá pitidos durante el ciclo de descongelación para avisar que el alimento necesita voltearse o acomodarse. Al finalizar el tiempo de descongelación se escucharán 3 pitidos.

COCCIÓN CON MICROONDAS

Power

1. Pulsar la tecla POWER (POTENCIA).
(Por favor, consulte la tabla de potencia nominal de vatiaje de la página 8.)
La pantalla mostrará qué se pulsó.
Pulsar repetidamente el nivel de potencia para seleccionar el nivel deseado.

NOTA: Si se omite el paso 1, el horno cocinará a plena potencia.

2. Pulsar las teclas TIME SET (CONFIGURACIÓN DEL TIEMPO) para ingresar el tiempo de cocción deseado. La pantalla mostrará qué se pulsó.

NOTA: El horno puede programarse hasta por 59 minutos 99 segundos.(59:99)

3. Pulsar la tecla Iniciar/+30sec.

Al pulsar la tecla Iniciar/+30sec.

La pantalla inicia el conteo regresivo para mostrar cuánto tiempo queda.

Al finalizar el tiempo de cocción se escucharán 3 pitidos.

NOTA: Usar niveles más bajos de potencia incrementa el tiempo de cocción y se recomienda para alimentos tales como queso, leche y las carnes que se cocinen a fuego lento.

CÓMO COCINAR EN DOS ETAPAS

Todas las recetas requieren descongelar los alimentos congelados antes de cocinarlos.

Defrost

1. Pulsar la tecla DEFROST (DESCONGELAR).
(Seleccionar el modo de descongelar por peso o por tiempo).
2. Pulsar las teclas TIME SET (CONFIGURACIÓN DEL TIEMPO) para ingresar el tiempo o el peso deseado. La pantalla mostrará qué se pulsó.

Power

3. Pulsar la tecla POWER (POTENCIA).
(Seleccionar el nivel de potencia deseado)
La pantalla mostrará qué se pulsó.
4. Pulsar las teclas TIME SET (CONFIGURACIÓN DEL TIEMPO) para ingresar el tiempo de cocción deseado. La pantalla mostrará qué se pulsó.
5. Pulsar la tecla Iniciar/+30sec.

La pantalla inicia el conteo regresivo para mostrar cuánto tiempo queda para descongelar.

Si el horno emite pitidos, hay que voltear o reacomodar los alimentos. Al terminar de descongelar, el horno emitirá pitidos y arrancará la cocción con microondas. La pantalla inicia el conteo regresivo para mostrar cuánto tiempo queda para cocinar con microondas. Al finalizar la función de microondas, se escucharán 3 pitidos.

COCCIÓN AUTOMÁTICA

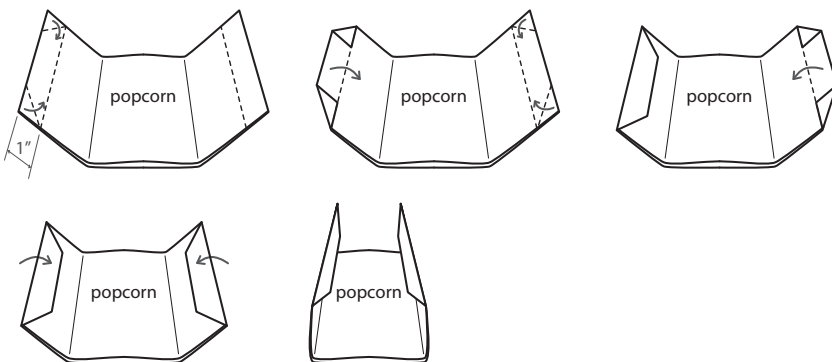
LA COCCIÓN AUTOMÁTICA permite cocinar o recalentar muchos alimentos favoritos al pulsar repetidamente la tecla AUTO COOK.

Al pulsar la tecla AUTO COOK una vez, la pantalla mostrará "AC-1". Al pulsar repetidamente esta tecla se puede seleccionar otra categoría de alimentos, como se muestra más abajo.

Auto Cook

1. Pulsar la tecla AUTO COOK una vez, para 3.5 oz de POPCORN (Palomitas de maíz).
La pantalla mostrará AC-1.
2. Pulsar la tecla AUTO COOK dos veces para 4 pedazos de PAN.
La pantalla mostrará AC-2.
3. Pulsar la tecla AUTO COOK tres veces para 12 oz de SOPA.
La pantalla mostrará AC-3.
4. Pulsar la tecla AUTO COOK cuatro veces para 3 PATATAS ASADAS.
La pantalla mostrará AC-4.
5. Pulsar la tecla AUTO COOK cinco veces para 8 oz de VEGETALES FRESCOS.
La pantalla mostrará AC-5.
6. Pulsar la tecla AUTO COOK seis veces para 10 oz de VEGETALES CONGELADOS.
La pantalla mostrará AC-6. Enseguida pulsar la tecla Iniciar/+30sec. La pantalla cambiará la cantidad de tiempo de cocción y el horno comienza a funcionar.

Al usar AC-1 hay que colocar cuidadosamente la bolsa de palomitas de maíz para que no tenga contacto con las paredes del horno. La bolsa puede plegarse como sigue.



- NOTA:**
1. Usar palomitas de maíz pre-empaquetadas a temperatura ambiente para usar en microondas.
 2. Colocar la bolsa en el horno de acuerdo con las instrucciones del fabricante.
 3. Procesar tan sólo una bolsa a la vez.
 4. Luego de procesar las palomitas de maíz hay que abrir la bolsa con cuidado: las palomitas de maíz y el vapor estarán extremadamente calientes.
 5. No recalentar granos que no se abrieron ni usar la bolsa de nuevo.
 6. No dejar el horno sin atención mientras se procesan palomitas de maíz.

PRECAUCIÓN: Si las palomitas de maíz pre-empaquetadas tienen peso diferente al recomendado, no usar la tecla AUTO COOK. Seguir las instrucciones del fabricante.

TEMPORIZADOR DE LA COCINA

Este dispositivo funciona como tal.



1. Presionar y mantener presionada la tecla del número "0" por 3 segundos. La pantalla mostrará " - - : - -".
2. Pulsar las teclas TIME SET (CONFIGURACIÓN DEL TIEMPO) para configurar el temporizador.

NOTA: El horno puede programarse hasta por 59 minutos 99 segundos. (59:99).

3. Pulsar la tecla Iniciar/+30sec.
-

Al pulsar la tecla Iniciar/+30sec. La pantalla inicia el conteo regresivo del temporizador para mostrar cuánto tiempo queda.

Al finalizar el temporizador se escucharán 3 pitidos.

SEGURO DE NIÑOS

El seguro con bloqueo previene el uso indebido del horno como podría serlo por niños pequeños.

Para ajustarlo , presione y mantenga presionado el pad PARAR/BORRAR por 3 segundos, hasta escuchar un beep. Para cancelar el bloqueo, presione y mantenga presionado el pad PARAR/BORRAR por 3 segundos, hasta escuchar un beep.

DETENER EL HORNO MIENTRAS ESTA EN FUNCIONAMIENTO

1. Presione el pad PARAR / BORRAR.
 - Usted puede reiniciar el horno con sólo presionar INICIO.
 - Presione PARAR / BORRAR una vez más para borrar todas las instrucciones.
 - Entonces usted puede ajustar nuevas instrucciones de operación.
2. Abra la puerta.
 - Usted puede reiniciar el horno cerrando la puerta y oprimiendo el pad INICIO.

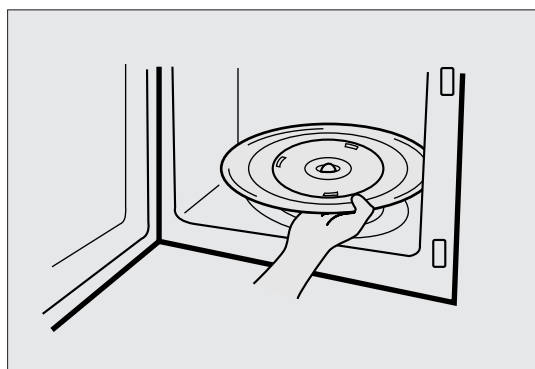
NOTA: El horno dejará de operar cada vez que se abra la puerta

CUIDADO DE SU HORNO DE MICROONDAS

El horno se debe limpiar regularmente y quitar cualquier depósito del alimento.

La falta de cuidado y limpieza del horno, puede propiciar el deterioro de la superficie que podría afectar la vida de operación del horno y dar lugar a una situación peligrosa.

- 1** Desconecte el horno antes de limpiarlo.
- 2** Mantenga limpio el interior del horno. Cuando los alimentos salpiquen las paredes o se derramen en el interior, limpie el interior con un paño húmedo. Puede usar un detergente suave si el horno se encuentra demasiado sucio. No es recomendable usar detergentes fuertes o abrasivos.
- 3** La parte exterior del horno debe limpiarse con agua y jabón, y enjuagarse y secarse con un paño suave. Para evitar daños a las partes que operan dentro del horno, no permita que entre agua por la abertura de ventilación.
- 4** Si el panel de control se moja, límpielo con un paño suave. No use detergentes o abrasivos fuertes en el panel de control.
- 5** Si se acumula vapor en el interior del horno o el borde de la puerta, límpielo con un paño suave. Esto suele ocurrir cuando el horno de microondas está siendo operado bajo condiciones de alta humedad, sin embargo, esto no es un indicio de mal funcionamiento.
- 6** Ocasionalmente es necesario retirar el plato de cristal para limpiarlo. Lávelo en agua tibia con jabón o en lavaplatos automático.
- 7** El arillo y la base de la cavidad, deben limpiarse regularmente para evitar que hagan demasiado ruido. Simplemente limpie la superficie con agua y detergente suave o con limpiador de ventanas y seque. El eje puede lavarse con agua tibia.

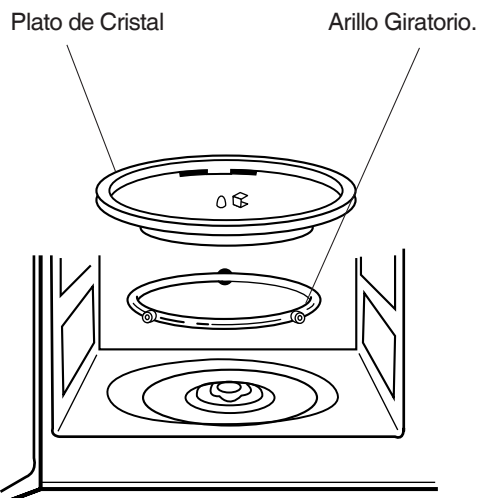


ARO GIRATORIO

- 1** El ARILLO y la base de la cavidad, deben limpiarse regularmente para evitar que hagan demasiado ruido.
- 2** El Plato de Cristal siempre debe colocarse sobre el ARILLO para cocinar.

PLATO DE CRISTAL

- 1** No opere el horno si el Plato de Cristal, no está en su lugar
- 2** No use ningún otro plato de cristal en este horno.
- 3** Si el plato de cristal está caliente, permita que se enfríe antes de limpiarlo o colocarlo en agua.
- 4** No cocine directamente sobre el Plato de Cristal (Excepto para palomitas.)



ANTES DE LLAMAR AL SERVICIO TECNICO

Revisando la siguiente lista, usted podría evitar una llamada innecesaria al servicio técnico.

* El horno no funciona:

1. Revise que el cable de alimentación eléctrica esté bien conectado.
2. Revise que la puerta esté firmemente cerrada.
3. Revise que el tiempo de cocción esté seleccionado.
4. Revise si los fusibles de su casa se encuentran en perfecto estado o si hay algún corto circuito.

* Chispas en el interior:

1. Revise que los utensilios empleados no sean de metal o no tengan algún borde metálico.
2. Revise que las brochetas metálicas o el papel aluminio no estén rozando en las paredes internas del horno.
3. Verificar si hay suciedad o grasa sobre la cubierta de la guía de ondas.

Si el problema persiste, llame al centro de servicio más cercano a su domicilio.

La lista de centros de servicio se encuentra en el certificado de garantía que viene en el interior del horno.

CUIDADO Y LIMPIEZA

Aunque en su horno se proporcionan características de seguridad, es importante observar lo siguiente:

1. Es importante no bloquear o tapar los dispositivos de seguridad.
2. No coloque ningún objeto entre la parte frontal del horno y la puerta ni permita que el residuo se acumule en las superficies internas o en los engranes de seguridad. Limpie el área de seguridad frecuentemente con un detergente neutro, Nunca utilice detergentes en polvo ni corrosivos.
3. Cuando abra la puerta, cerciórese de cerrarla, ya que dejarla abierta podría ocasionar vuelque de ésta o que cualquier peso pueda causar que el horno caiga y ocasione algún accidente o que la puerta se dañe. No opere el horno si se encuentra dañado hasta que haya sido reparado por un técnico especialista. Es particularmente importante que el horno se cierre correctamente y que no tenga daños en:
 - i) Puerta (doblada)
 - ii) Bisagras y ganchos (rotos o sueltos)
 - iii) Sellos de la puerta y de la superficie.
4. El horno no debe de ser reparado o ajustado por cualquier persona solo por un técnico especializado.
5. El horno se debe de limpiar regularmente y remover los depósitos de comida.
6. La falta de cuidado y limpieza del horno, puede propiciar al deterioro de la superficie que podría afectar la vida de operación del horno y dar lugar a una situación peligrosa.

PREGUNTAS Y RESPUESTAS

*** P: Accidentalmente puse a funcionar el horno sin comida. ¿Lo habré dañado?**

R: Operar el horno sin alimentos en el interior durante un corto período no llega a dañarlo. Sin embargo, no se recomienda hacerlo.

*** P: ¿Puedo operar el horno sin el plato de cristal o sin la guía giratoria?**

R: No. Ambos utensilios deben de utilizarse en el horno antes de cocinar algún alimento.

*** P: ¿Puedo abrir la puerta cuando el horno está operando?**

R: Sí, la puerta puede abrirse en cualquier momento durante la operación. El magnetrón se detiene automáticamente y la energía se desconecta, además, que el tiempo de cocción restante se mantiene para su reinicio.

*** P: ¿Porqué se acumula vapor en el horno de microondas después de cocinar?**

R: La acumulación de humedad es normal que ocurra. Esto sucede, porque la comida produce vapor al cocinarse.

*** P: ¿La energía de las microondas puede traspasar la ventanilla de la puerta?**

R: No. La pantalla de metal de la ventanilla hace regresar la energía de las microondas dentro de la cavidad del horno. Los orificios están hechos para permitir el paso de la luz a través de ellos pero no deja pasar la energía.

*** P: ¿Porque los huevos en ocasiones estallan?**

A: Cuando se cocinan huevos en el horno de microondas los huevos pueden estallar por la acumulación de vapor dentro de la membrana de la yema. Para prevenir esto, perfora la yema del huevo antes de cocinar. Nunca cocine huevos sin antes perforarlos.

*** P: ¿Por qué se recomienda el tiempo de reposo después de haber completado la cocción?**

R: El tiempo de reposo es muy importante. Cocinando con el microondas, el calor está en la comida, no en el horno. Muchos alimentos pueden acumular mucho calor para permitir que el proceso de cocción continúe, incluso cuando la comida se retira después de la cocción. El tiempo de reposo permite que en el interior se cocinen los trozos de carne, los vegetales y el pan completamente sin sobre calentarlo de afuera.

*** P: ¿Que significa “tiempo de reposo”?**

R: “Standing time” o tiempo de reposo significa retirar los alimentos del horno y tapanlos, para agregar tiempo de cocción final. Esto deja libre al horno para otra cocción.

*** P: ¿Por qué mi horno no siempre cocina tan rápido como lo indica la guía de cocción del microondas?**

R: Verifique su guía de cocción una vez más, para asegurarse que ha seguido las instrucciones; y ver cuál podría ser la causa de variación del tiempo de cocción. Los tiempos de cocción y los ajustes de potencia se sugieren como ayuda para prevenir sobre-calentamiento...el problema más común al usar el horno de microondas. Variaciones en el tamaño, forma, peso y dimensiones pueden requerir más tiempo de cocción. Use su criterio junto con las sugerencias de la guía rápida de cocción para verificar cual es la mejor forma de cocinar en el horno de microondas y que se asemeje a la manera de cocinar de manera convencional.

*** P: ¿El horno de microondas puede dañarse si se opera cuando está vacío?**

R: Sí, nunca lo haga funcionar vacío.

*** P: ¿Puedo operar el horno de microondas sin el plato de cristal o cambiarlo por un plato grande?**

R: No. Si usted quita el plato de cristal puede obtener resultados pobres. Los utensilios utilizados deben colocarse sobre el plato.

*** P: ¿Es normal que el plato de cristal cambie de dirección al girar?**

R: Sí. El plato de cristal gira en el sentido de las manecillas del reloj y al revés, dependiendo del motor cuando empieza el ciclo de cocción.

*** P: ¿Puedo cocinar palomitas de maíz dentro del horno? Como obtengo el mejor resultado?**

R: Sí. Siguiendo las instrucciones del fabricante de los empaques para palomitas. No utilice las bolsas regulares de papel. Detenga el horno tan pronto como el tiempo entre un tronido de grano de maíz sea entre 1 y 2 segundos. No recaliente las mismas palomitas. No cocine los granos dentro de un recipiente. No cocine los granos dentro de un recipiente.

INSTRUCCIONES DE COCCIÓN

UTENSILIOS DE COCINA

Los utensilios de cocina deben ser revisados para asegurarse de que son adecuados para el uso en hornos de microondas.

Los utensilios y recipientes usados en los microondas deben estar fabricados de materiales que no funcionen como barrera a la energía de las microondas. Esto significa que, generalmente, se deberá cocinar en plástico, vidrio o cerámica. Los recipientes de metal reflejan la energía de las microondas e inhiben la cocción. Además del material también se debe considerar la forma del recipiente.

Material	Seguridad	Comentarios
Hojas de aluminio	▲	Se pueden utilizar en pequeñas cantidades contra el sobrecalentamiento. arqueos pueden ocurrir si las hojas de aluminio están muy cerca de las paredes del horno.
Plato	●	No caliente por más de 8 minutos.
Barro y Porcelana china	●	Porcelana, alfarería, barro esmaltado y porcelana china se pueden utilizar, a menos que tengan metal.
Platos desechables	●	Algunos alimentos congelados son guardados en este tipo de material
Comida rápida • Poliestireno • Bolsas de papel o periódico • Papel reciclado o de metal	● × ×	Se pueden usar para calentar. El sobrecalentamiento puede derretir el material Se pueden incendiar Puede causar incendios
Cristal • Recipientes de vidrio • Cristalería fina • Jarra de vidrio	● ● ●	Se pueden utilizar, sin que tengan adornos de metal. Se pueden utilizar para calentar alimentos o líquidos. Cristalería delicada puede reventarse por el calor. Quite la tapa.
Metal • Vajilla • Termos	× ×	Puede causar arqueos.
Papel • Platos, vasos, servilletas y papel para la cocina • Papel reciclable	● ×	Para tiempos cortos de cocción. Pueden absorber exceso de humedad Pueden causar arqueos
Plástico • Recipientes • Película adherible • Bolsas para congelar	● ● ▲	Particularmente resistentes al calor. Algunos plásticos se pueden deformar o decolorar a altas temperaturas. No utilice plástico tipo "melamine" Se puede utilizar para retener la humedad. No debe tocar los alimentos. Tenga cuidado al retirar el plástico protector, puede escapar algo de vapor. Si no son volátiles. No se deben cerrar herméticamente. Piquelas si es necesario.
Papel encerado	●	Se puede utilizar para retener humedad y prever salpicaduras

● : Uso recomendado

▲ : Uso limitado

× : No recomendado

UTILICE SU HORNO DE MICROONDAS CON SEGURIDAD

Uso General

Procure no obstruir los orificios o forzar los dispositivos de seguridad de la puerta.

No coloque ningún objeto entre la parte frontal y la puerta del horno, ni permita que se acumulen residuos en la superficie. Limpie continuamente la superficie con detergentes suaves, enjuague y seque. Nunca use polvos o limpiadores abrasivos. No permita que la puerta se deforme o sufra algún daño al estar abierta, por ejemplo cuando un niño se cuelgue o se apoye alguna carga ocasionando que el horno se caiga y cause daños a las personas o al horno.

No opere el horno si los sellos de la puerta están dañados o si la puerta está doblada o si las bisagras están dobladas o dañadas.

No opere el horno si esta vacío. Esto dañaría el horno. No intente utilizar el horno para secar ropa, trapos, papel u otros materiales. Esto puede causar fuego. No use productos de papel reciclado, ya que estos pueden contener impurezas, las cuales pueden reflejar las microondas y producir fuego. No maltrate o golpee el panel de control, esto puede dañar al horno.

Alimentos

Nunca utilice su horno de microondas para esterilizar comida en casa. El horno no está diseñado para esterilizar.

La comida mal esterilizada puede descomponerse y ser peligrosa para su consumo.

Siempre procure utilizar el menor tiempo de cocción de la receta.

Recuerde que es mejor dejar un poco crudo que bien cocido. Si la comida quedó cruda puede regresarse al horno para volverla a cocinar. Si la comida está muy cocida y se ha quemado, entonces ya nada se puede hacer.

Las pequeñas cantidades de alimento o la comida con bajo contenido de humedad puede llegar a quemarse, secarse o inflamarse si el tiempo de cocción es demasiado largo. No cocine huevos con cascarrón o con la yema entera, ya que la presión podría hacer que el huevo explote. Revuélvalos antes de cocinarlos.

Papas, manzanas, yemas de huevo, pollo, jitomates y salchichas son ejemplos de comidas con pieles no porosas, las cuales se deben perforar antes de cocinarse para evitar que estallen.

No intente freír en el horno de microondas.

Siempre de un plazo de por lo menos 20 segundos después de que el horno haya dejado de operar y se apague para que la temperatura se iguale a la del ambiente, revuelva durante el recalentado si es necesario y siempre después de recalentar.

para prevenir un estallido por ebullición, usted debe poner un palillo o un aguitador de vidrio dentro de bebidas y revolver antes, durante y después de cocinar. No descuide el horno mientras se cocinan las palomitas. No cocine el maíz palomero en bolsas de papel común y corriente a menos que se trate de un producto especial para preparar palomitas en microondas. Las semillas de maíz se pueden sobrecalentar e incendiar las bolsas de papel estraza.

No coloque la bolsa de palomitas directamente sobre el plato.

Póngalas en un recipiente especial para microondas. No use aceite al menos que esto se halle especificado por el fabricante.

No exceda el tiempo de cocción indicado por el fabricante de las palomitas. La cocción prolongada no hará que estalle más el maíz y sólo ocasionará que se quemen e incendien. Recuerde que después de hacer las palomitas, el plato y la bolsa estarán muy calientes. Tome la bolsa con cuidado usando pinzas para cocinar y utilice guantes para retirar el plato del horno.

ARCO ELÉCTRICO

Si nota la presencia de un arco eléctrico, oprima PARAR/BORRAR y arregle el problema.

Arco es el término utilizado cuando hay chispas eléctricas dentro del horno.

El arco eléctrico es causado por:

- Alguna parte metálica o aluminio tocan algún lado del equipo
- Alimentos envueltos en aluminio (las esquinas puntiagudas funcionan como antenas).
- Rebabas de metal, rejillas o vajillas con bordes de oro dentro del horno.
- Las toallas de papel reciclado contienen algunas piezas de metal.



Garantía limitada

MC Appliance Corporation garantiza que todas las Encimera horno de microondas carecen de defectos en el material y la mano de obra y acuerda solucionar cualquiera de estos defectos o instalar la(s) parte(s) nueva(s) (a elección de la compañía) en caso de que la unidad haya fallado durante el periodo de garantía. Las partes y gastos de reparación están cubiertos en esta unidad por un periodo de un año a partir de la fecha de compra. Se requiere una copia de la factura o recibo de compra para recibir el servicio de garantía por parte de un agente de servicio autorizado.

Además MC Appliance corporation autoriza el magnetrón (piezas solamente) para estar libre de defectos en material y la ejecución por un período de ocho años. El consumidor es responsable de todo el trabajo y los costos del transporte relacionados con la diagnosis y el reemplazo del magnetrón después de las uno garantías inicial del año expiran. Si en el acontecimiento la unidad requiere el reemplazo o el reembolso bajo términos de esta garantía el consumidor es responsable de todos los costos del transporte volver la unidad a nuestra fábrica antes de recibir una unidad o un reembolso del reemplazo.

Esta garantía cubre los aparatos que se usen dentro de los Estados Unidos continentales, Alaska, Hawái y Puerto Rico. La garantía no cubre lo siguiente:

- Daños debido al daño del envío o a la instalación incorrecta.
- Daños debido al mal uso o abuso.
- Pérdidas de contenido debido a falla de la unidad.
- Componentes internos como platos giratorio, guía de rodillos, bombillas, etc.
- Las reparaciones se realizaron por los agentes desautorizados del servicio.
- Llamadas de servicio que no implican defectos en material y la ejecución tal como instrucción en el uso apropiado del producto o de la instalación incorrecta.
- Reemplazo o reajuste de los fusibles o de los interruptores de la casa.
- Falla de este producto si se usa con fines distintos a los que fue diseñado.
- Costes de la disposición de unidades falladas no vueltas a nuestra fábrica.
- Todos los gastos de entrega/instalación incurridos como resultado de una unidad que no cumple con lo especificado.
- Gastos de viajes y el transporte de los productos principales de servicio si su aparato está situado en una zona remota donde el servicio por un técnico de servicio no está disponible.
- La remoción y reinstalación de su gran aparato, si está instalado en un lugar inaccesible o no está instalado de conformidad con las instrucciones de instalación publicadas.
- Restituciones por productos no reparables se limita al precio pagado por la unidad por el recibo de compra.

Limitaciones de remedios y exclusiones:

La reparación del producto de acuerdo con los términos de este documento, es el único y exclusivo remedio determinado en esta garantía limitada. Todas y cada una de las garantías implicadas, incluyendo la calidad de comerciable y capacidad para un propósito particular, se limitan mediante la presente a un año o el periodo más corto permitido por la ley. MC Appliance Corporation no es responsable por daños incidentales ni resultantes y ningún representante o persona alguna están autorizados para asumir de parte nuestra ninguna otra responsabilidad en relación con la venta de este producto. Bajo ninguna circunstancia se le permite al consumidor regresar esta unidad a la fábrica sin consentimiento previo por escrito de MC Appliance Corporation.

Algunos estados prohíben la exclusión o limitación por daños incidentales o resultantes, o limitaciones en las garantías implícitas. Esta garantía le otorga a usted derechos legales específicos, y usted puede también tener otros derechos que varían según la entidad federal/va donde se encuentre.

Modelo	Piezas & Trabajo	Magnetrón (Parte solamente)	Tipo de servicio
MCD993W / MCD993B/ MCD993R	Uno año	Ocho años	Lleve adentro

Para servicio o asistencia, llame por favor al 888-775-0202. O visítenos en www.mcpliance.com para solicitar el servicio de garantía o repuestos.



CNA International, Inc. realiza negocios bajo el nombre de MC Appliance Corporation. Derechos reservados.

El logotipo Magic Chef® es una marca registrada de CNA International, Inc.

www.mcappliance.com

Impreso en China