

## FAQs

### Q. Can it hold a countertop dishwasher?

A. Sure! Table top holds up to 500 lbs. per shelf and up to 1000 lbs. evenly distributed across the shelves and top. Its's perfect for appliances.

### Q. Can I use it in a restaurant?

A. Yes, our stainless-steel worktable is certified by the NSF to NSF/ANSI Standard 2 - Food Equipment for use in dry environments like restaurant storage rooms.

### Q. Can I change the order of shelves?

A. Yes! Feel free to install the basket or the shelf first at any height of your choosing.

## Safety

Do not tip the table over or place upside down.  
Do not place more than 1000 lbs. on the desk top.

## Specifications

Dimensions: 24" L x 20" W x 36" H

Weight capacity (top): 300 lbs

Weight capacity (basket): 50 lbs

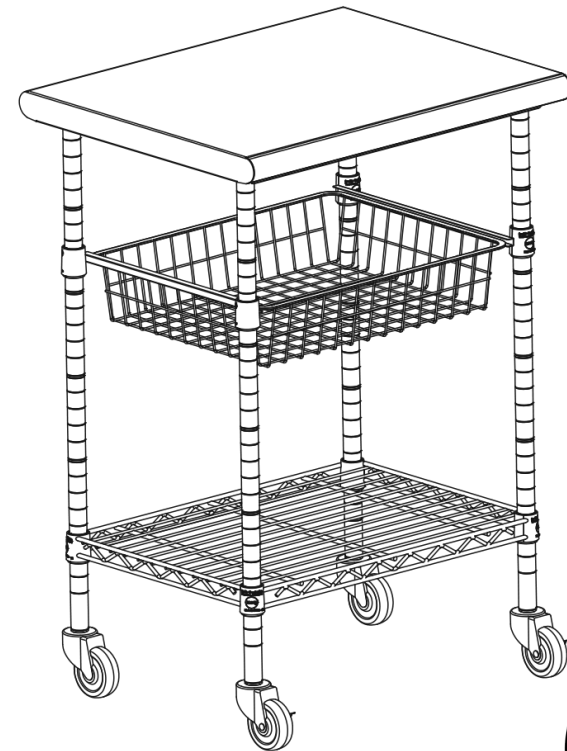
Weight capacity (bottom shelf): 100 lbs

Weight Capacity: 450 lbs. evenly distributed

Weight: 32.3 lbs.

# seville classics<sup>®</sup>

## Stainless-Steel Top NSF Kitchen Work Table Cart



## Customer Service Information

**Telephone:** (800) 323-5565

**Fax:** (310) 533-3899

**Hours:** 8:30 AM – 4:30 PM (PST)

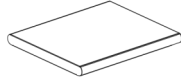
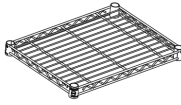





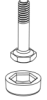
**Email:** [Support@SevilleClassics.com](mailto:Support@SevilleClassics.com)

**Homepage:** [www.SevilleClassics.com](http://www.SevilleClassics.com)

**Model:** SHE18321B

Thank you for choosing Seville Classics! We hope that you enjoy your new stainless-steel table. Please read through this user guide for parts list, assembly instructions, frequently asked questions and contact information.

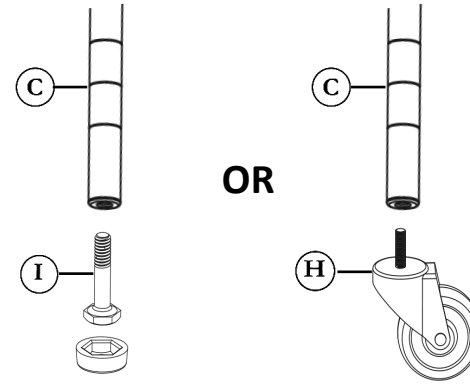
# Parts List

A. Top (1)	
B. Shelf (1)	
C. Poles (4)	
E. Track (2)	
F. Basket (1)	
G. Sleeves (24)	
H. Wheels (4)	
I. Feet (4)	

**Please make sure you have all the parts on this list.**

If you're missing parts, contact us for replacements at (800) 323-5565 or send an email to [Support@SevilleClassics.com](mailto:Support@SevilleClassics.com)

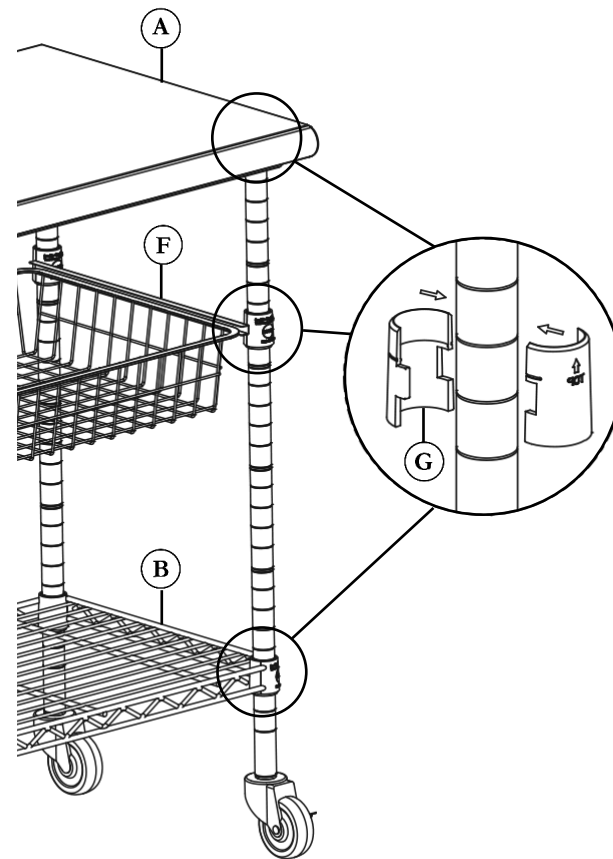
# Assembly Instructions



## STEP 1.

Fit caps to the bottom of **LEVELING FEET (I)** and screw into **POLES (C)**.

Or, screw **WHEELS (H)** into the base of **POLES (C)**.



## STEP 2

Clip **SLIP SLEEVES (G)** around bottom grooves.

**IMPORTANT:** Count up from bottom grooves to make sure all slip sleeves are at the same height.

Fit **SHELF (B)** over slip sleeves and press down.

## STEP 3.

Repeat STEP 2 at the desired height for the **BASKET (F)**.

## STEP 4

Clip **SLIP SLEEVES (G)** around top grooves.

Fit **TOP (A)** over slip sleeves and press down.

**CONGRATULATIONS!**  
Enjoy your new stainless-steel worktable!