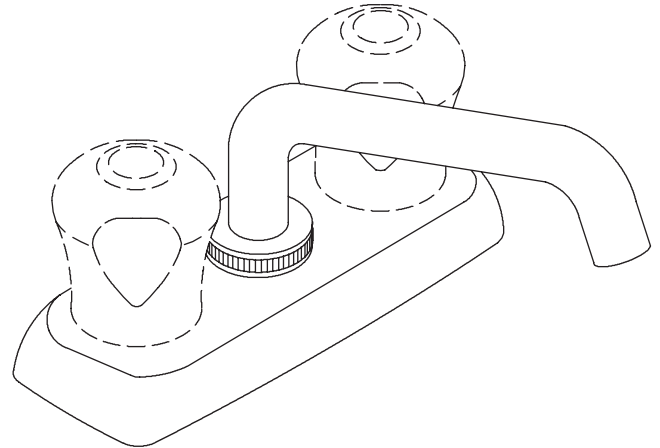


**LAUNDRY SINK FAUCET  
K-15270**

**Features**

- Metal construction
- Reversible quarter-turn washerless ceramic disc valves
- For 4" (10.2 cm) centers
- 6" (15.2 cm) plain end swing spout reach
- Available with sculptured acrylic, blade or lever handles
- Lower flow aerator options available (refer to the Kohler Price Book)
- 2.2 gallons (8.3 L) per minute maximum flow rate



**Codes/Standards Applicable**




Specified model meets or exceeds the following at date of manufacture:

- ADA
- ASME A112.18.1/CSA B125.1
- ICC/ANSI A117.1
- Energy Policy Act of 1992
- NSF 61
- All applicable US Federal and State material regulations

**Colors/Finishes**

- CP: Polished Chrome

**Specified Model**

| Model     | Description         | Sculptured Acrylic<br> | Blade<br> ADA | Lever<br> ADA |
|-----------|---------------------|---|--|--|
| K-15270   | Laundry sink faucet | <input type="checkbox"/> CP   |  |  |
| K-15270-B | Laundry sink faucet |   | <input type="checkbox"/> CP  |  |
| K-15270-4 | Laundry sink faucet |   |  | <input type="checkbox"/> CP  |

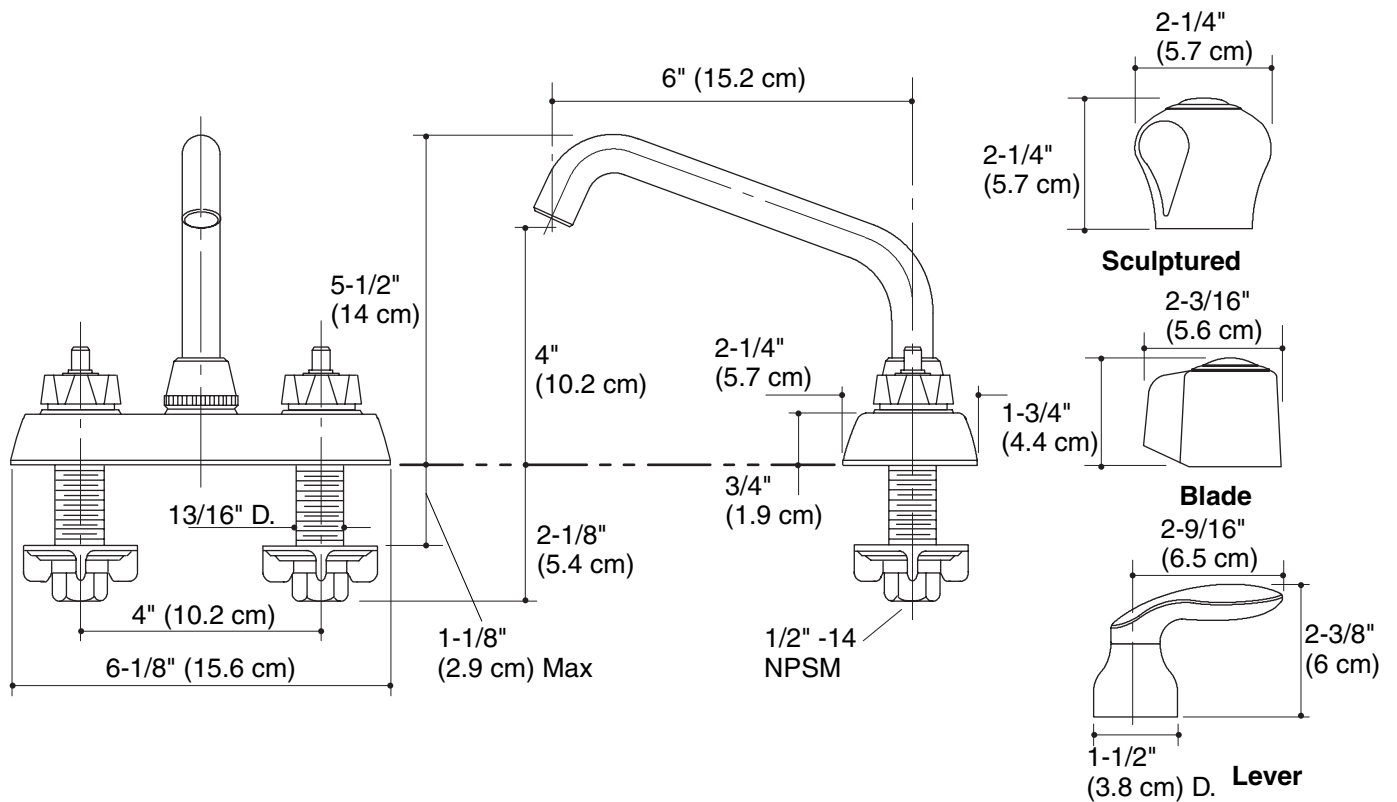
**Product Specification**

The two-handle centerset laundry sink faucet shall be of metal construction. Product shall have a maximum flow rate of 2.2 gallons (8.3 L) per minute with lower flow aerator options available (refer to the Kohler Price Book). Product shall feature reversible quarter-turn washerless ceramic disc valves and a 6" (15.2 cm) plain end swing spout reach. Product shall be for 4" (10.2 cm) centers. Product shall be available with sculptured acrylic, blade, or lever handles. Faucet shall be Kohler Model K-15270-\_\_\_\_-CP.

# CORALAIS®

## Installation Notes

Install this product according to the installation guide.



## Product Diagram