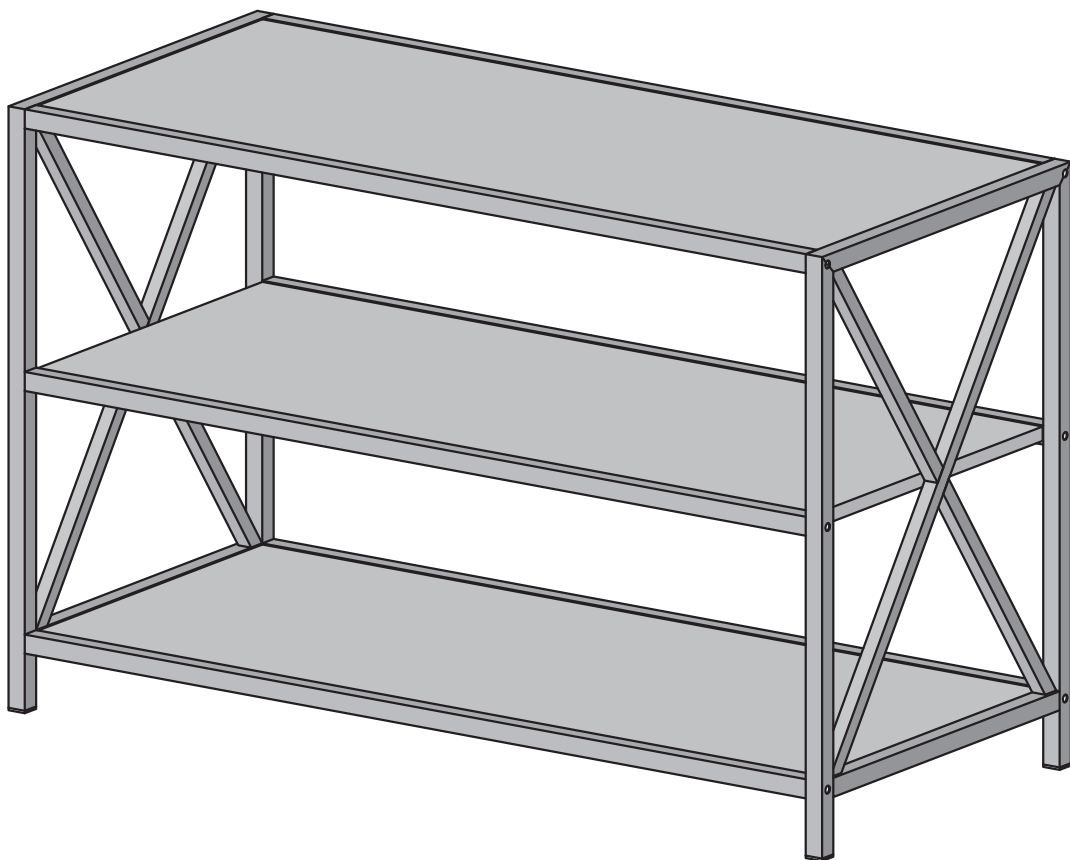




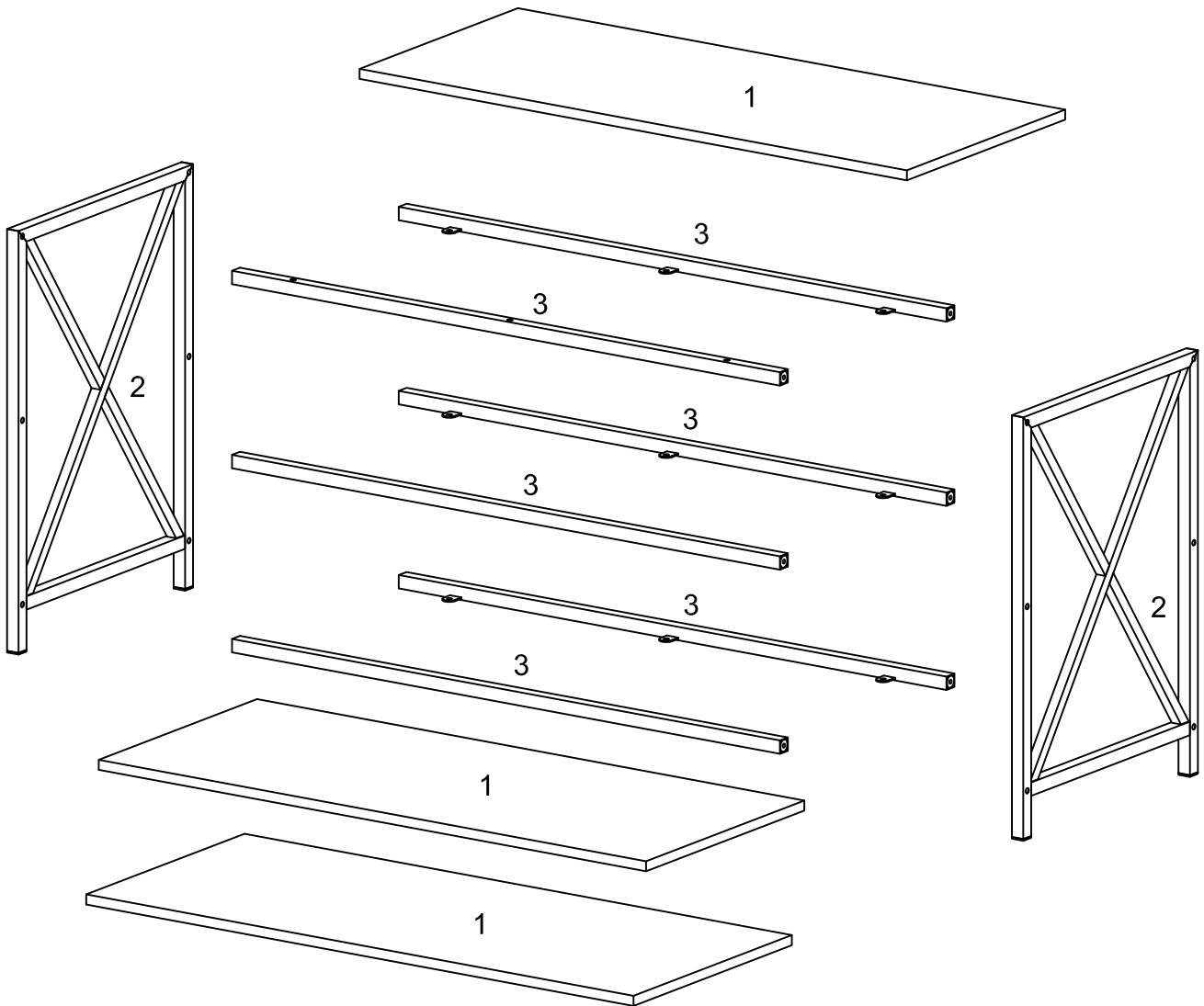
Item # : BS40XMW
Assembly Instructions




Please visit our website for the most current instructions, assembly tips, report damage, or request parts. www.walkeredison.com

Revised 03/2017

Parts List

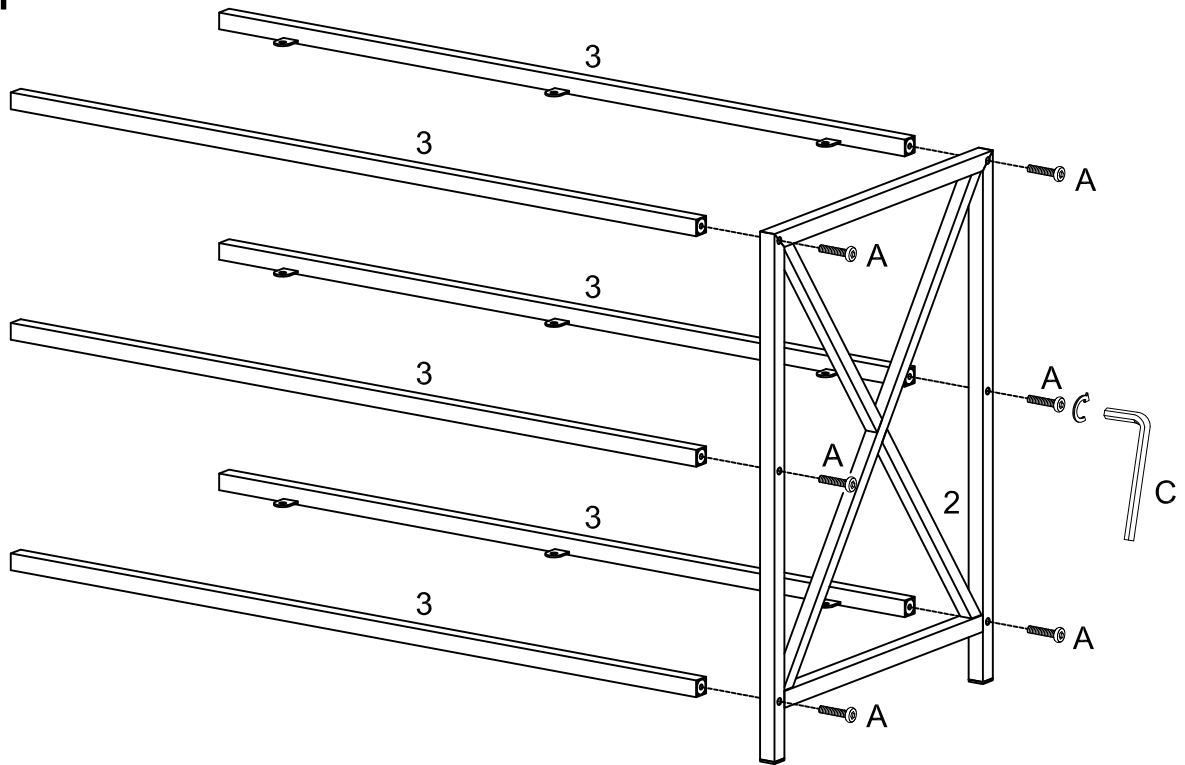


Hardware List

A		Ø1/4"*30mm	Bolt	12 pcs
B		Ø1/4"*12mm	Bolt	18 pcs
C		M4*55mm	Wrench	1 pc

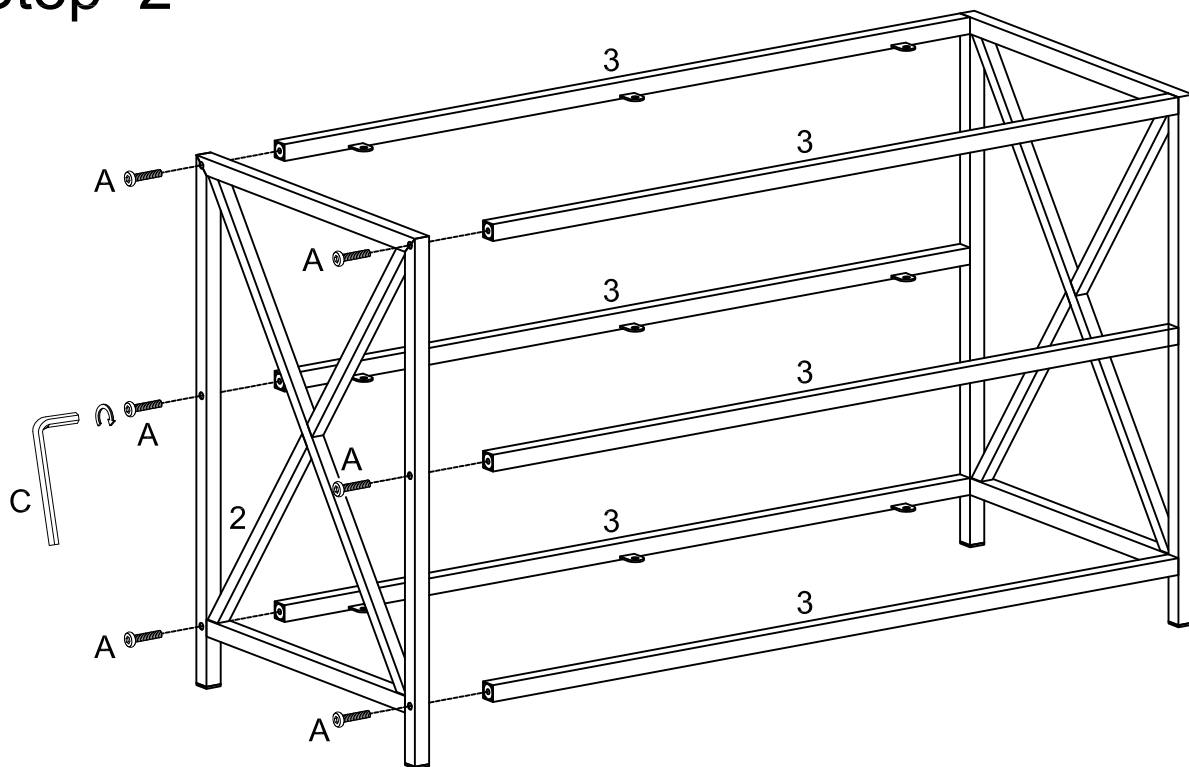
*The hardware quantities listed above are required for proper assembly.
Some extra hardware may also have been included.*

Step 1



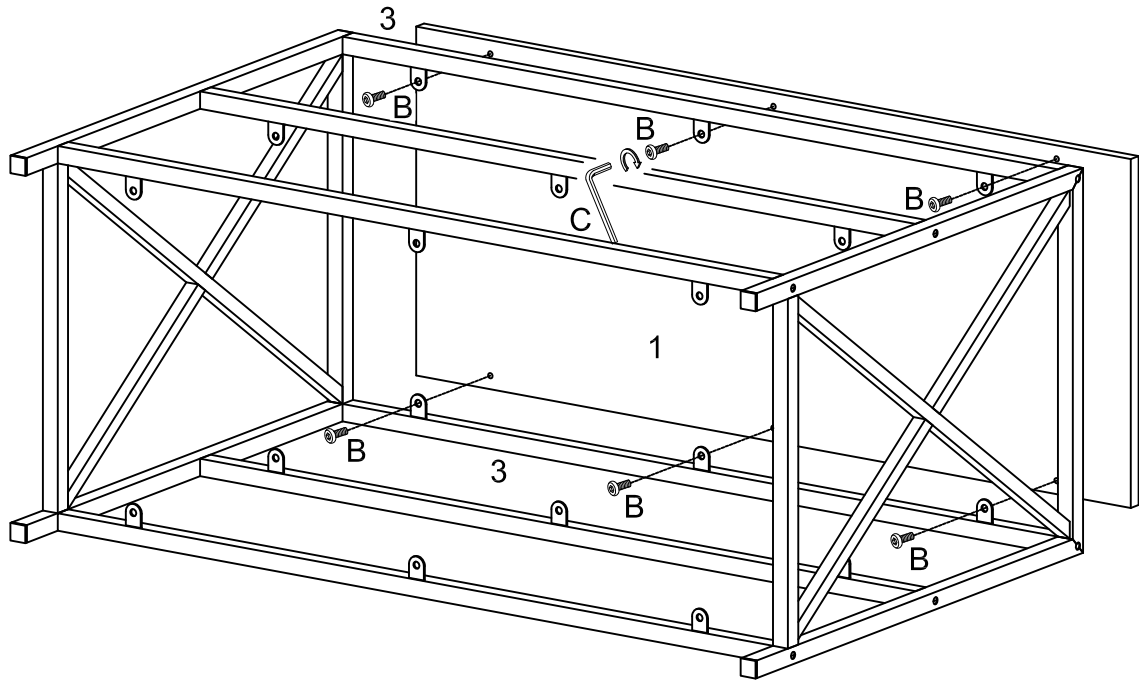
Attach supports (3) to legs (2) using bolts (A) as shown.

Step 2



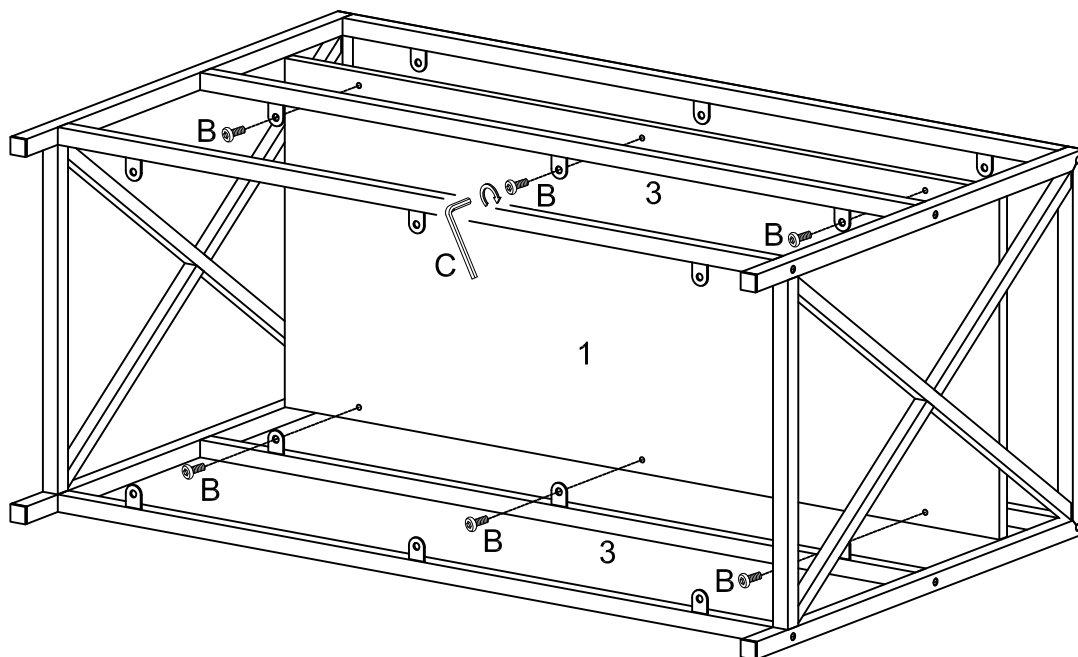
Attach supports (3) to legs (2) using bolts (A) as shown.

Step 3



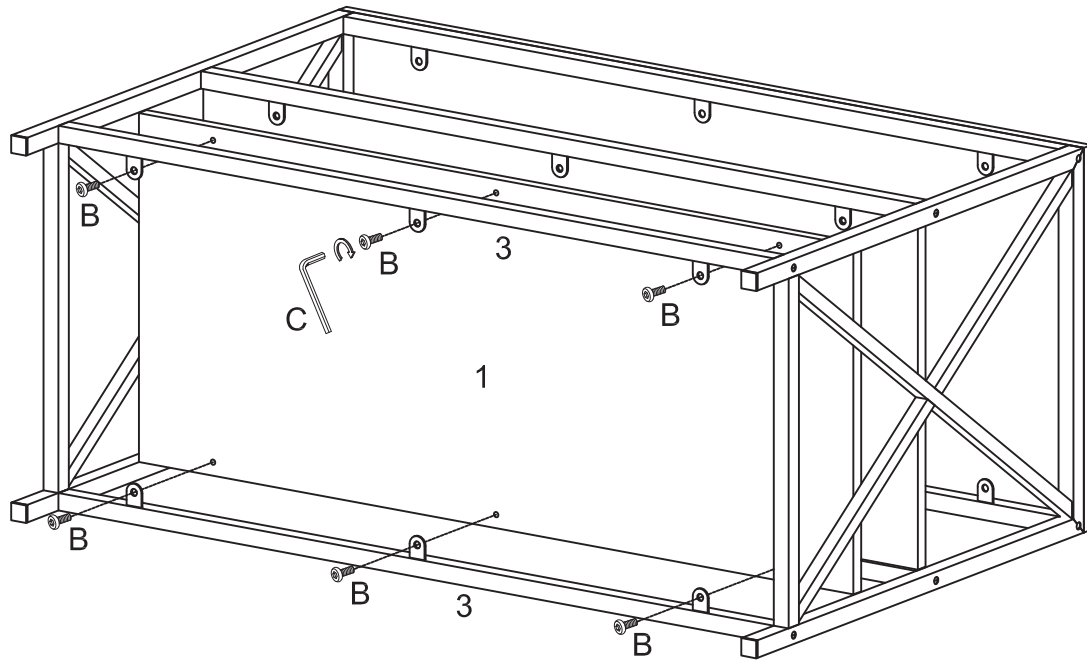
Secure top (1) to frame assembly using bolts (B) as shown in the diagram.

Step 4



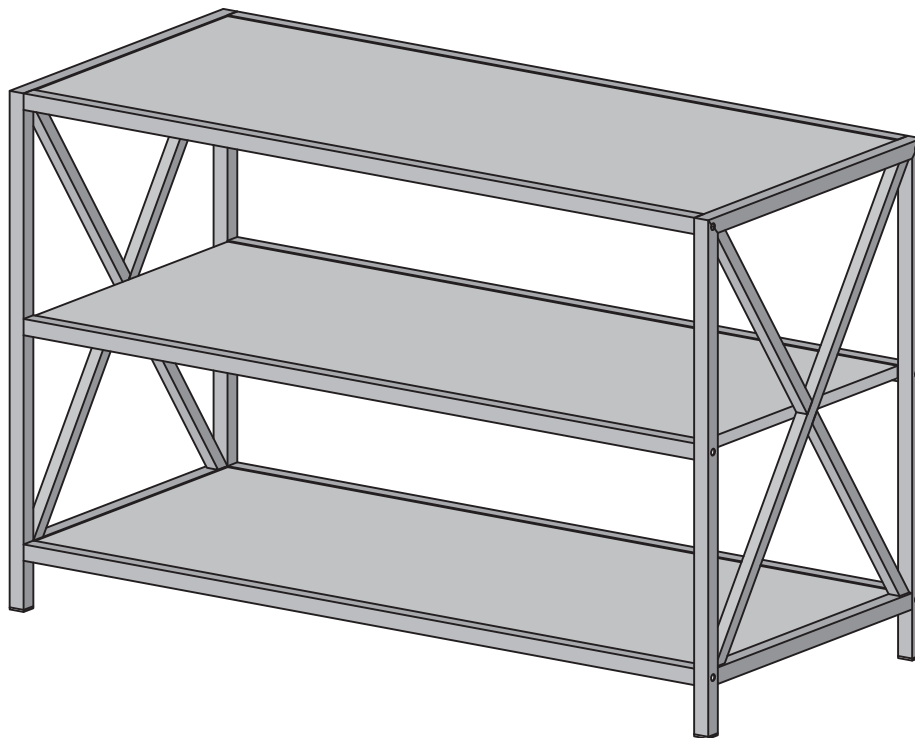
Secure middle shelf (1) to supports (3) using bolts (B) as shown in the diagram.

Step 5



Secure bottom shelf (1) to supports (3) using bolts (B) as shown in the diagram.

Step 6



Final Assembly