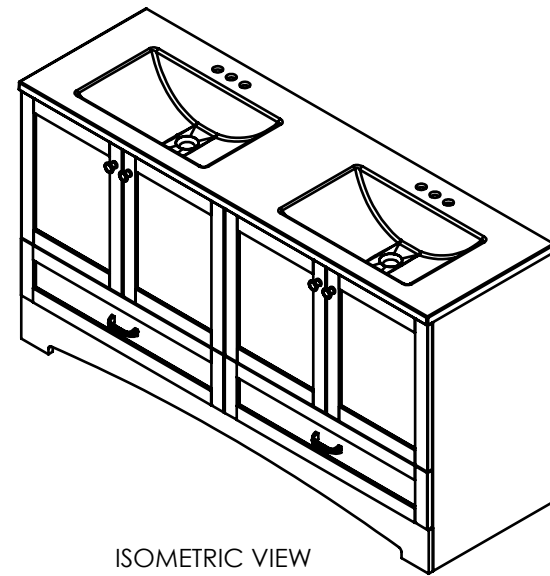
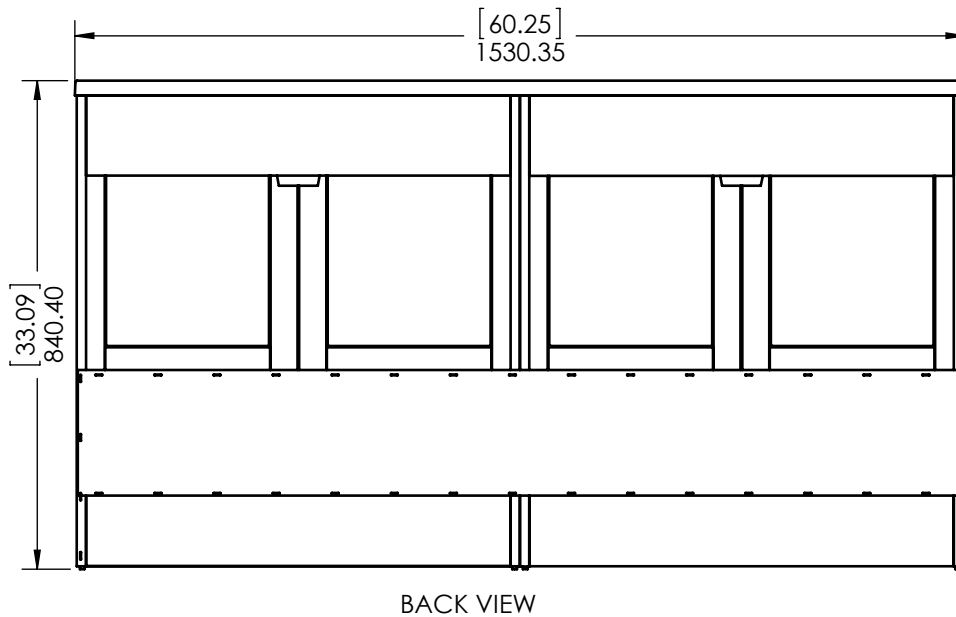
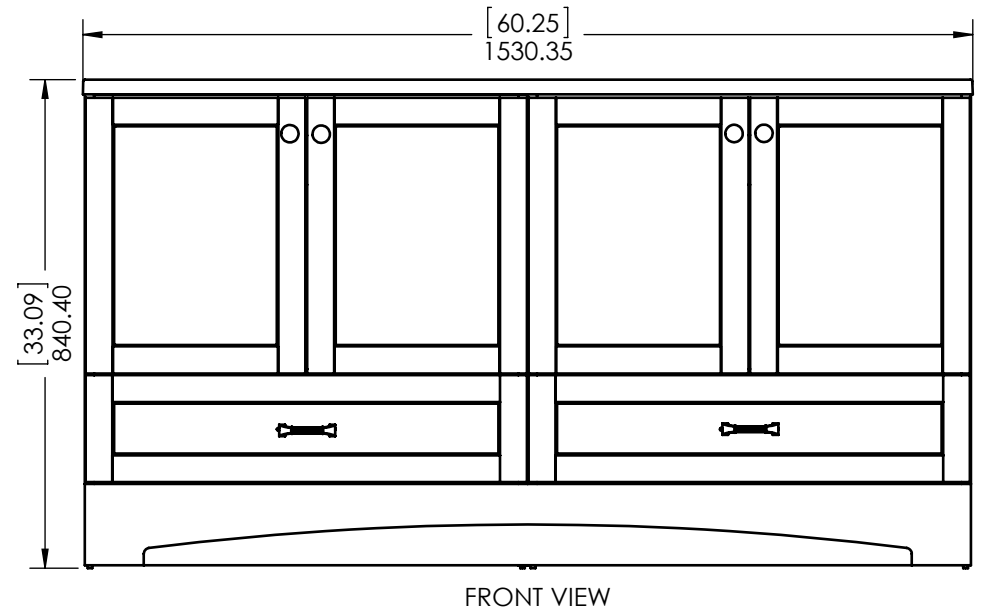
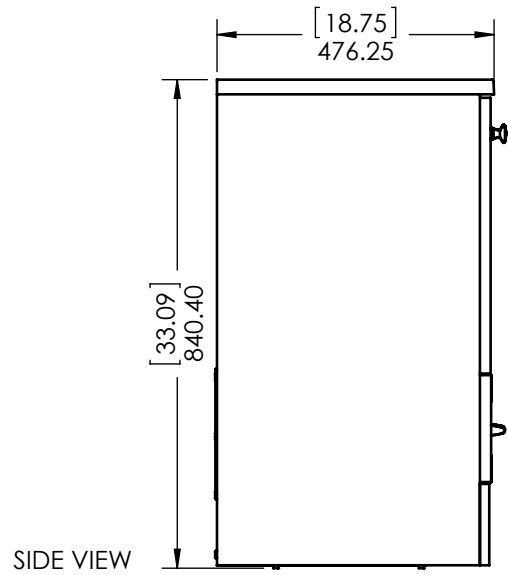


ITEM ID	DESCRIPTION
LC60P2-PG	Lancaster 60in Vanity w/VTop - Pearl Gray

REV	ECO#	DESCRIPTION	REV'D BY DATE	CHK'D BY DATE	APRV'D BY DATE
0		New Release	IASV 7/5/18	IASV 7/5/18	IASV 7/5/18



PROPRIETARY AND CONFIDENTIAL
 THE INFORMATION CONTAINED IN THIS DRAWING IS THE SOLE PROPERTY OF WOODCRAFTERS HOME PRODUCTS L.L.C. ANY REPRODUCTION IN PART OR AS A WHOLE WITHOUT THE WRITTEN PERMISSION OF WOODCRAFTERS HOME PRODUCTS L.L.C. IS PROHIBITED.

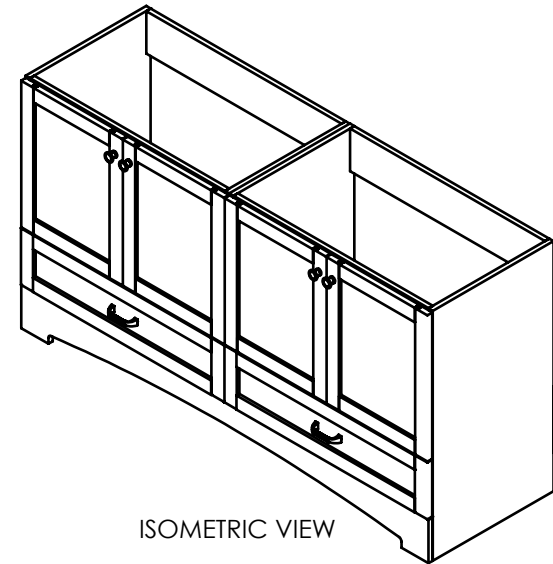
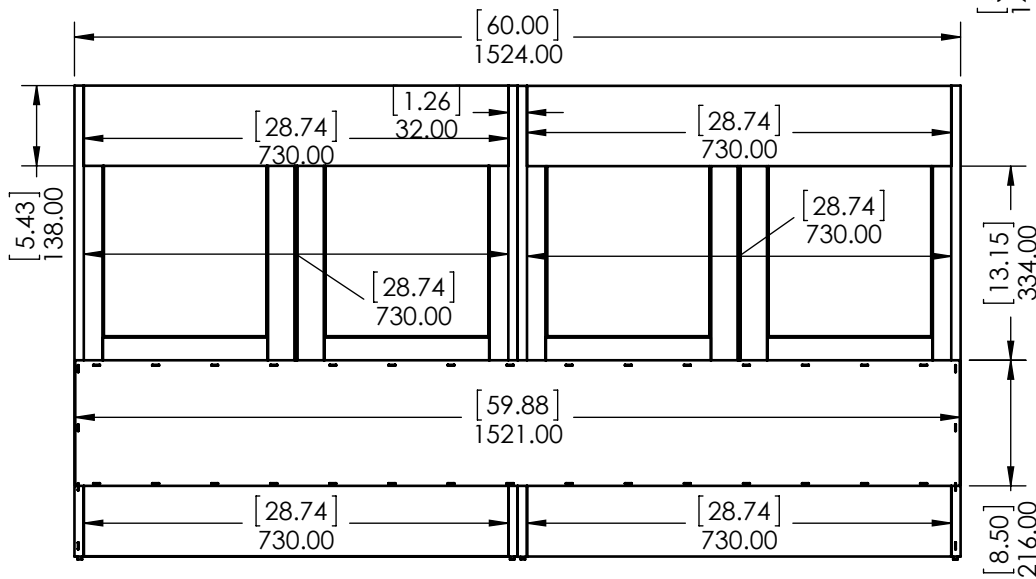
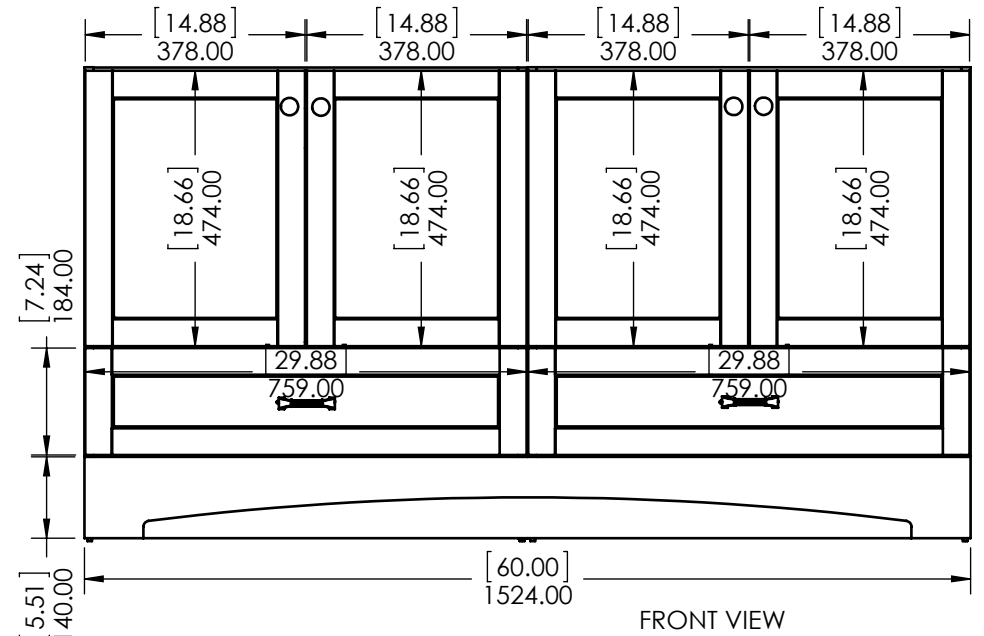
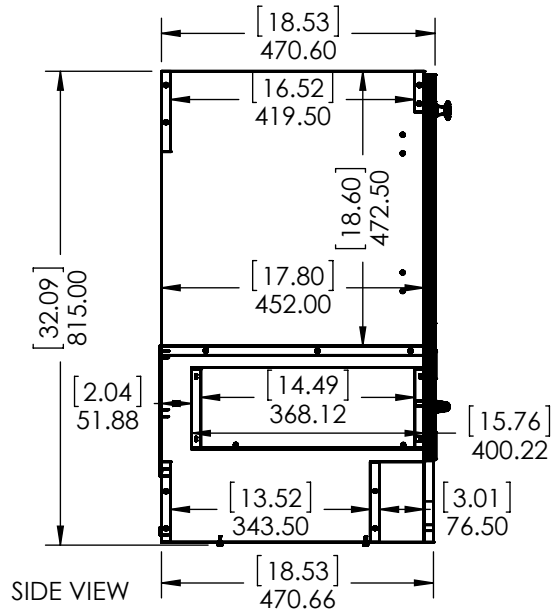
UNLESS OTHERWISE SPECIFIED
 DIMENSIONS ARE IN mm and [inches] AND TOLERANCES ARE +/- 1.0 [0.04]

DRAWN BY:	IASV	7/5/18
CHECKED BY:	IASV	7/5/18
APPROVED BY:	IASV	7/5/18
DO NOT SCALE DRAWING	SCALE: 1:10	SIZE: A

TITLE:	LANCASTER 60" PEARL GREY ASSEMBLY	
PART NO:	PAGE 1 OF 1	REV: 0

ITEM ID	DESCRIPTION
LC60P2-PG	Lancaster 60in Vanity w/VTop - Pearl Gray

REV	ECO#	DESCRIPTION	REV'D BY DATE	CHK'D BY DATE	APRV'D BY DATE
0		New Release	IASV 7/5/18	IASV 7/5/18	IASV 7/5/18



BACK VIEW

FRONT VIEW

ISOMETRIC VIEW

PROPRIETARY AND CONFIDENTIAL
 THE INFORMATION CONTAINED IN THIS DRAWING IS THE SOLE PROPERTY OF WOODCRAFTERS HOME PRODUCTS L.L.C. ANY REPRODUCTION IN PART OR AS A WHOLE WITHOUT THE WRITTEN PERMISSION OF WOODCRAFTERS HOME PRODUCTS L.L.C. IS PROHIBITED.

UNLESS OTHERWISE SPECIFIED
 DIMENSIONS ARE IN mm and [inches] AND TOLERANCES ARE +/- 1.0 [0.04]

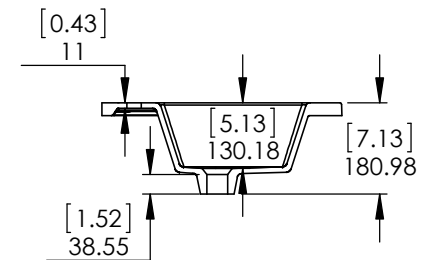
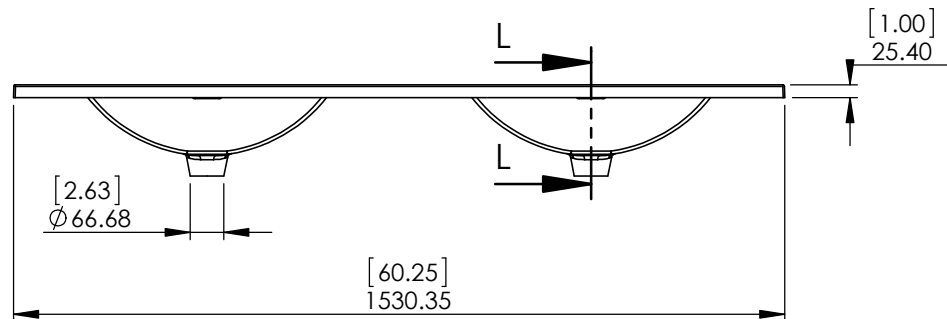
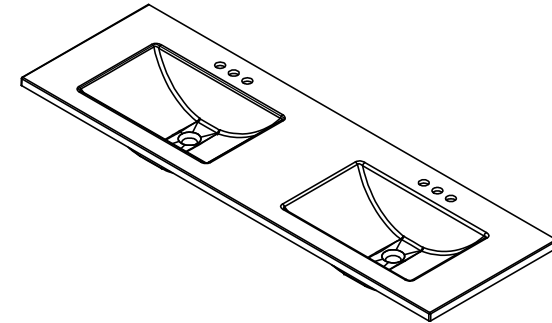
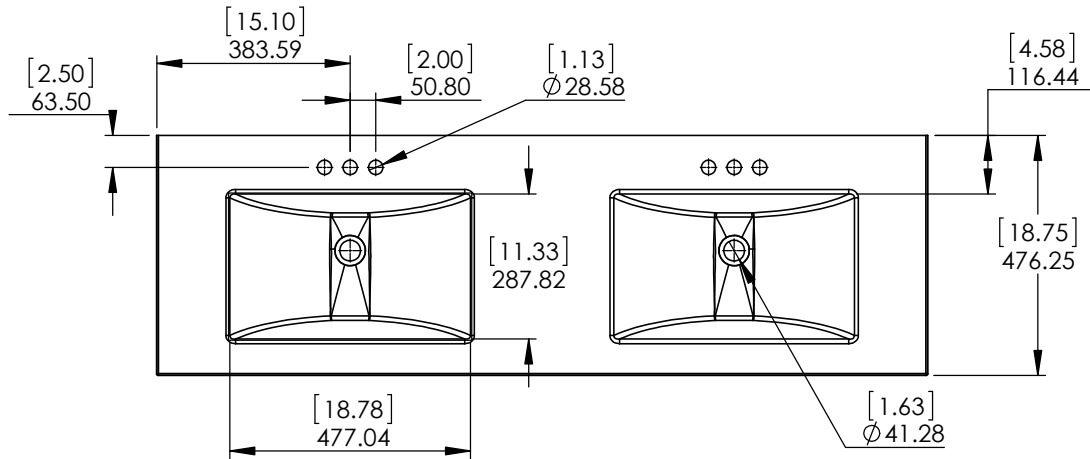
DRAWN BY:	IASV	7/5/18
CHECKED BY:	IASV	7/5/18
APPROVED BY:	IASV	7/5/18
DO NOT SCALE DRAWING	SCALE: 1:10	SIZE: A



TITLE:	LANCASTER 60" PEARL GREY ASSEMBLY		
PART NO:	PAGE	1 OF 1	REV: 0

ID	Description	Technology	Status
59XXXX	Vtop Alpine 60.25x18.75 4in White	Solid Colors	Approved for production

Rev #	Approved by	Change
0	O. Razo	Released



NOTE: MAX. WARPAGE
TOLERANCE 1/8"

PROPRIETARY AND CONFIDENTIAL

THE INFORMATION CONTAINED IN THIS DRAWING IS THE SOLE PROPERTY OF WOODCRAFTERS. ANY REPRODUCTION IN PART OR AS A WHOLE WITHOUT THE WRITTEN PERMISSION OF WOODCRAFTERS IS PROHIBITED.

UNLESS OTHERWISE SPECIFIED

DIMENSIONS ARE IN MM. AND (INCHES)

TOLERANCES ARE
+ 0.125 [3.175] - 0.125 [-3.175]

SCALE:1:15

	NAME	DATE
DRAWN	O. Razo	2/27/17
CHECKED	R. Rubio	2/27/17
ENG APPR.	R. Rubio	2/27/17
MFG APPR.	C. Leal	2/27/17

		SIZE	DWG. NO.	SHEET 1 OF 1
		A	Alpine 60.25 x 18.75 White 4 in	REV: 0