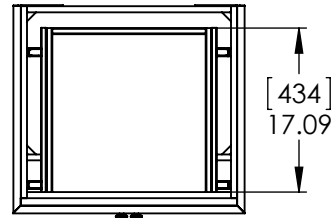
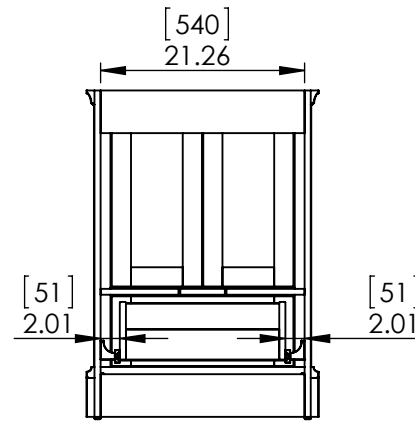


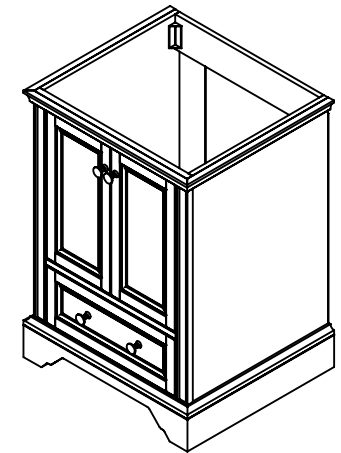
Top view  
with bottom



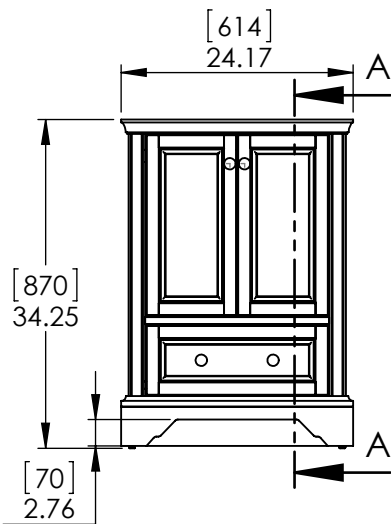
Topview  
without bottom



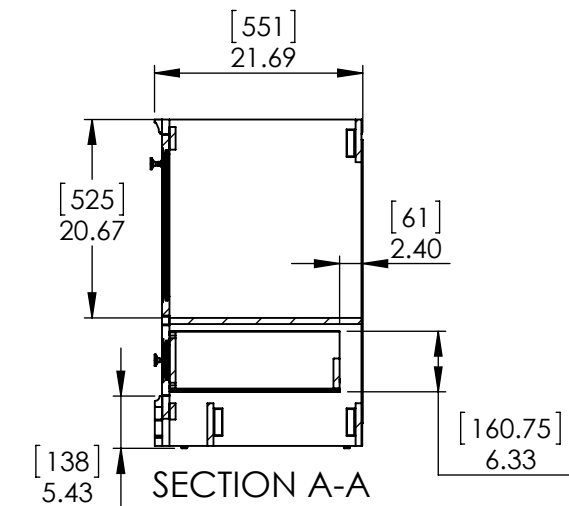
Back view  
without backing



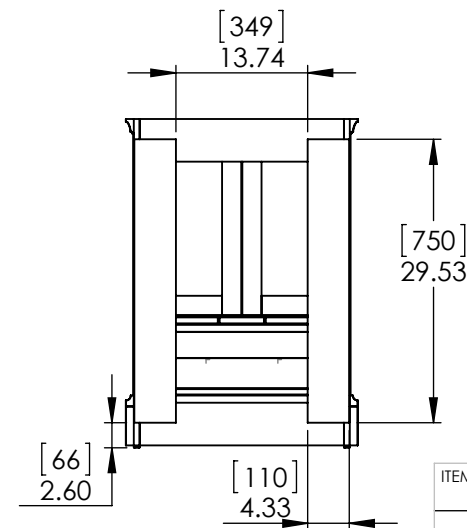
Isometric view



Front view



Side View



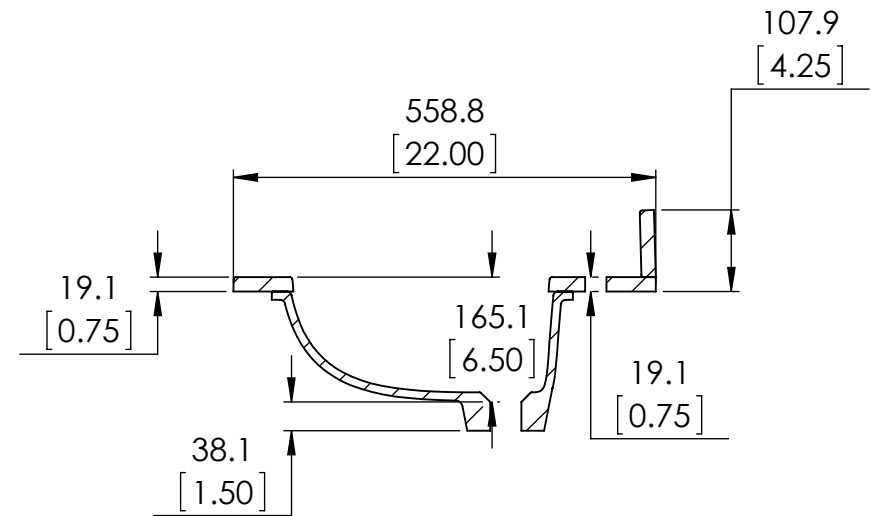
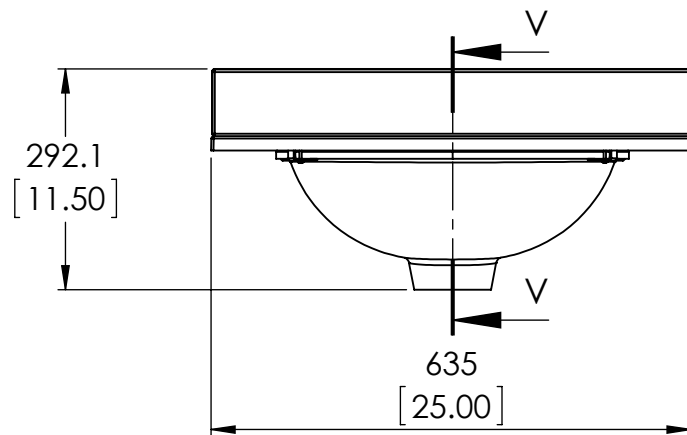
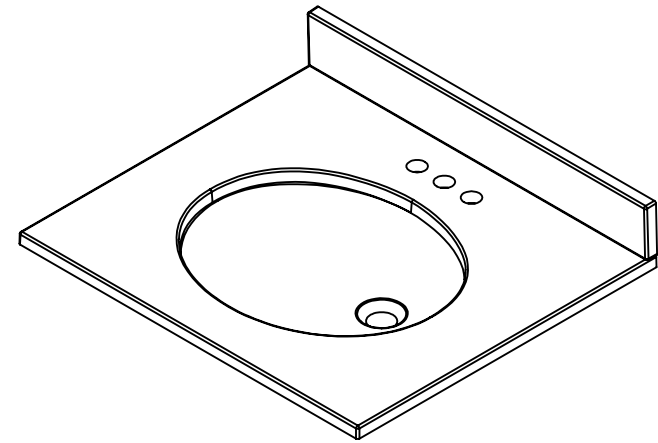
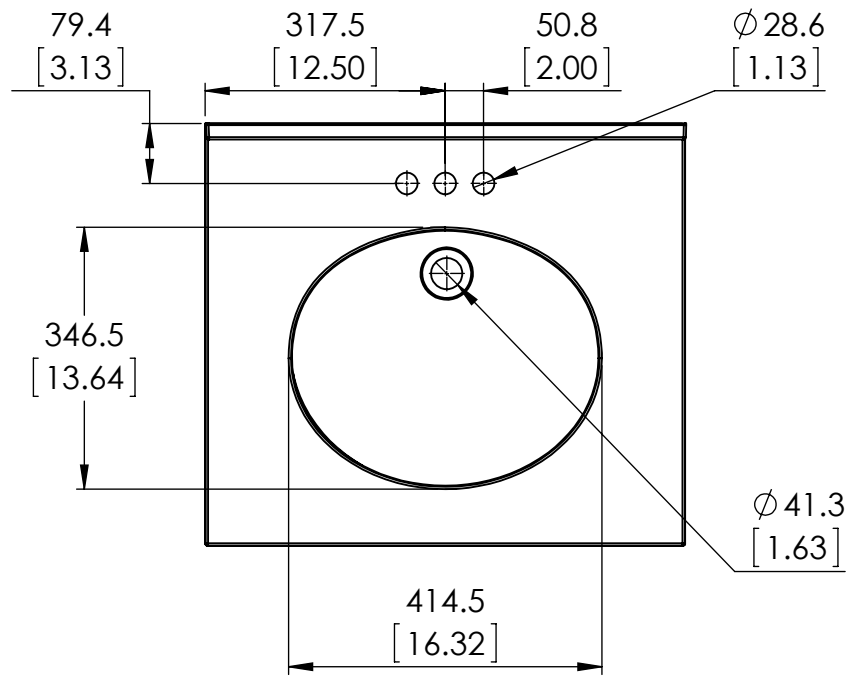
Back view  
with backing

ITEM:		<b>SF24-CH</b>
		<b>SF24-CR</b>
		<b>SF24-WH</b>
		<b>SF24-ST</b>
NAME:	REV:	
<b>Abbotsford 36in</b>	<b>A</b>	

<b>Propiedad y Confidencialidad</b> La información contenida en este dibujo es puramente propiedad de Woodcrafters Home Products LLC. Queda prohibida cualquier reproducción parcial o total sin el permiso por escrito de Woodcrafters Home Product LLC.	DRAWING	ARB	01/20/20	MATERIAL: <b>German beech 4/4 Laminated Particle Board</b> <b>Stratfield 24</b>
	REVIEW	ING	01/20/20	
	APPROVED	R&D	01/20/20	
	SCALE:	1:20	MODEL:	



REV	CHANGE	DATE	APPROVAL
0	Released	11/25/19	E. SANDOVAL



**PROPRIETARY AND CONFIDENTIAL**  
 THE INFORMATION CONTAINED IN THIS DRAWING IS THE SOLE PROPERTY OF WOODCRAFTERS. ANY REPRODUCTION IN PART OR AS A WHOLE WITHOUT THE WRITTEN PERMISSION OF WOODCRAFTERS IS PROHIBITED.

UNLESS OTHERWISE SPECIFIED  
 DIMENSIONS ARE IN MM. AND [INCHES]  
 TOLERANCES ARE  
 + 3.175 [0.125] - 3.175 [0.125]  
 SCALE: 1:10

	NAME	DATE
DRAWN	O. Razo	11/25/2019
CHECKED	E. Sandoval	11/25/2019
ENG APPR.	W. Amaya	11/25/2019
MFG APPR.	A. Casiano	11/25/2019

**Wood Crafters**

SIZE DWG. NO.


A

SHEET 1 OF 2

FG

ITEM TYPE	ITEM ID	ITEM DESCRIPTION	DRAWING STATUS
FG	SE25O-CO	Vtop SE Oval 25x22 Cold Fusion 4in	Approved for production
FG	SE25O-DN	Vtop SE Oval 25x22 Dune 4in	Approved for production
FG	SE25O-MG	Vtop SE Oval 25x22 Mineral Gray 4in	Approved for production
FG	SE25O-PR	Vtop SE Oval 25x22 Pulsar 4in	Approved for production
FG	SE25O-WM	Vtop SE Oval 25x22 Winter Mist 4in	Approved for production
FG	SE25O-RU	Vtop SE Oval 25x22 Rustic Gold 4in	Approved for production

REV	CHANGE	DATE	APPROVAL
0	Released	11/25/19	E. SANDOVAL

<b>PROPRIETARY AND CONFIDENTIAL</b> THE INFORMATION CONTAINED IN THIS DRAWING IS THE SOLE PROPERTY OF WOODCRAFTERS. ANY REPRODUCTION IN PART OR AS A WHOLE WITHOUT THE WRITTEN PERMISSION OF WOODCRAFTERS IS PROHIBITED.	UNLESS OTHERWISE SPECIFIED DIMENSIONS ARE IN MM. AND [INCHES] TOLERANCES ARE + 3.175 [.125] - 3.175 [0.125] SCALE:1:10		NAME	DATE	 WOODCRAFTERS	SIZE	DWG. NO.	SHEET 2 OF 2
		DRAWN	O. Razo	11/25/2019				
		CHECKED	E. Sandoval	11/25/2019				
		ENG APPR.	W. Amaya	11/25/2019				
		MFG APPR.	A. Casiano	11/25/2019	<b>A</b>		FG	