

# LED DLC4SQ-2000e



Part #: EFDLC4DM/1/9W/750/120D/50K/JB/E Fixture Class: 4" Slim Fixed

## Product Description

**LED** DLC4SQ-2000e, recessed downlight, replaces conventional 60 Watt incandescent bulbs delivering more brightness (lumens) for less energy (Watts). Its slim body design allows compatibility with 4" cans, as well as, reduction of internal bulb heat providing greater durability and constant fixture performance. Enjoy features such as: instant on, dimming options, shatter resistance, and mercury free.



**Estimated Energy Cost: \$1.08 per year**

\*Note: Design, features and specifications subject to change without notice. Some features may not be available on all models. Please visit [www.eurilighting.com](http://www.eurilighting.com) or call 1-888-743-5766 for more information.



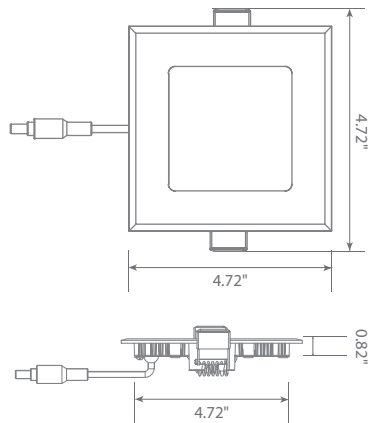
## Specifications

Input Power	Input Voltage	Lumen Output	Beam Angle	Center Beam	CCT
9 W	120V/60Hz	600 lm	120°	NA cd	3000 K
CRI	Luminous Efficacy	Power Factor	Input Current	Base	Lamp Lifespan
80	66 lm/W	0.9	0.075 A	Junction Box	30,000 Hrs.

### Product Features

- Dimmable
- Instant-On/Off
- Mercury Free
- Wet Rated

### Product Dimensions



### Product Photometric Data

