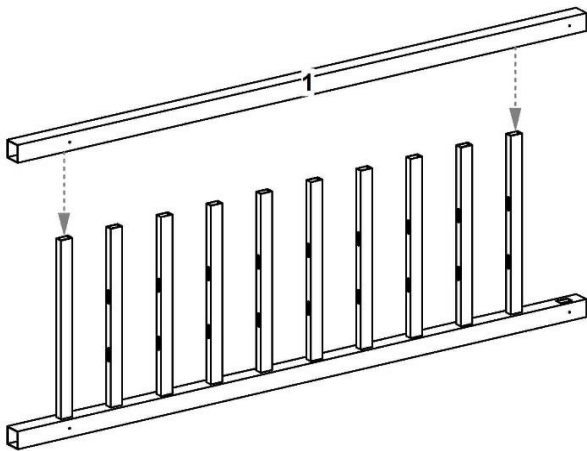


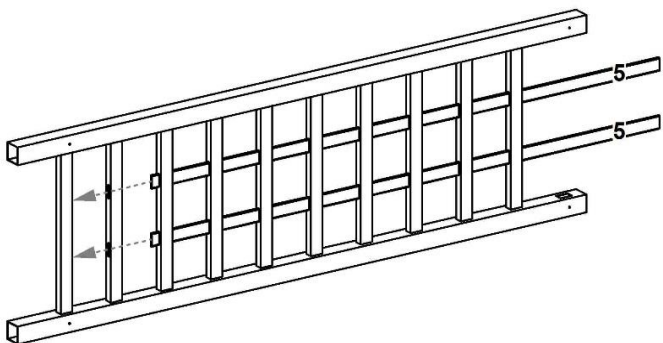
1

Lay out one right post (part 2). Starting at bottom, insert one top/bottom cross rail (part 3) and nine center cross rails (part 4).



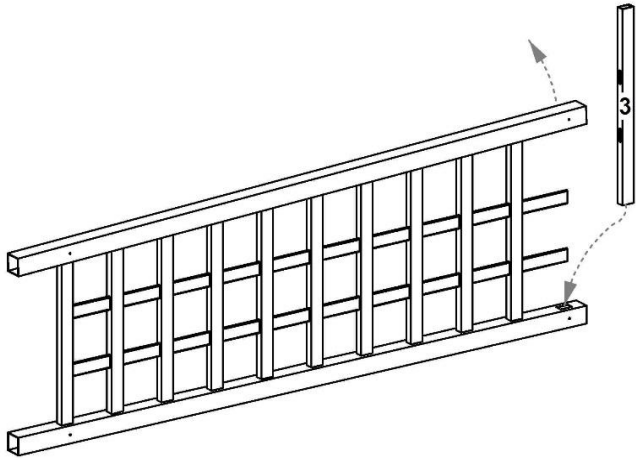
2

Slide left post (part 1) over corresponding cross rails.



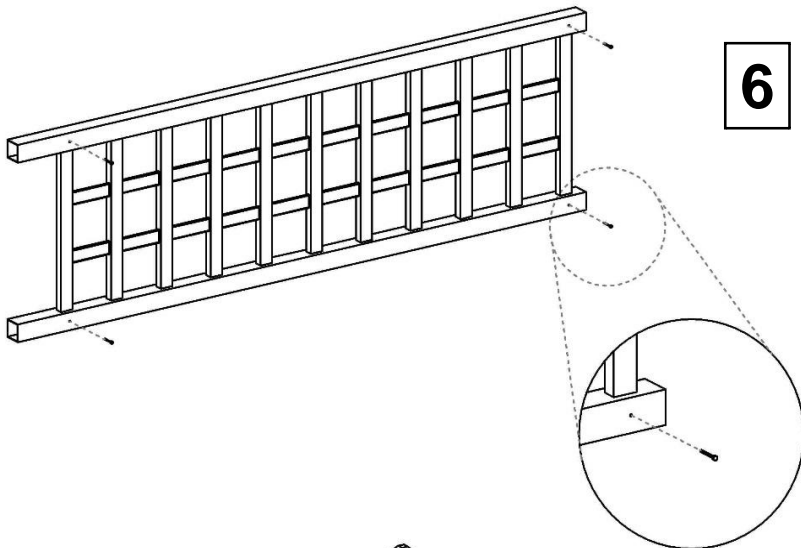
3

Insert vertical slats (part 5) through center cross rails and into bottom cross rail.



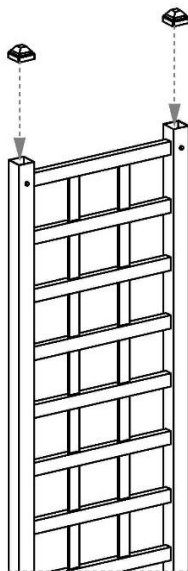
5

Separate top of post just enough to insert remaining top/bottom rail (part 3).



6

Using 1 1/4" screws, screw together trellis. Be sure that all parts are fully inserted into posts before securing.



7

Using PVC, super or crazy glue; glue post caps onto posts.