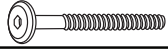

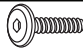



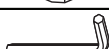
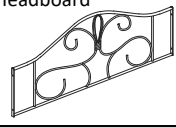
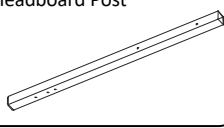
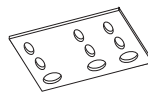
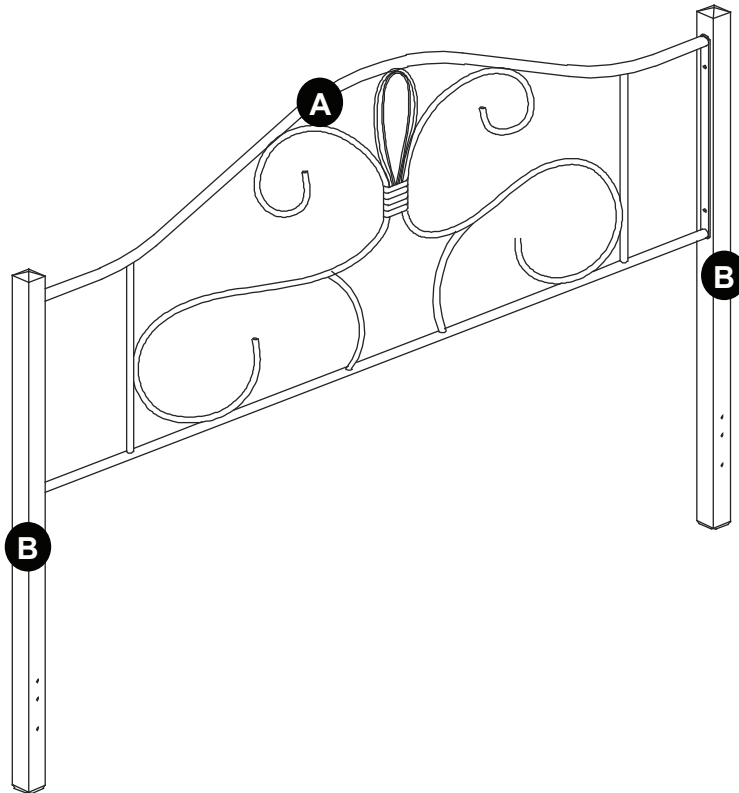


Examine all packaging material for small parts that may have come loose during shipment. Periodic checks are recommended to insure that all components are in proper position, tight and free from damage. Keep this assembly instruction for future reference. Adult assembly is required. The product of Hillsdale Furniture, LLC is designed for residential use only. Customer Service Phone Number: 502-562-0000 HDFKC

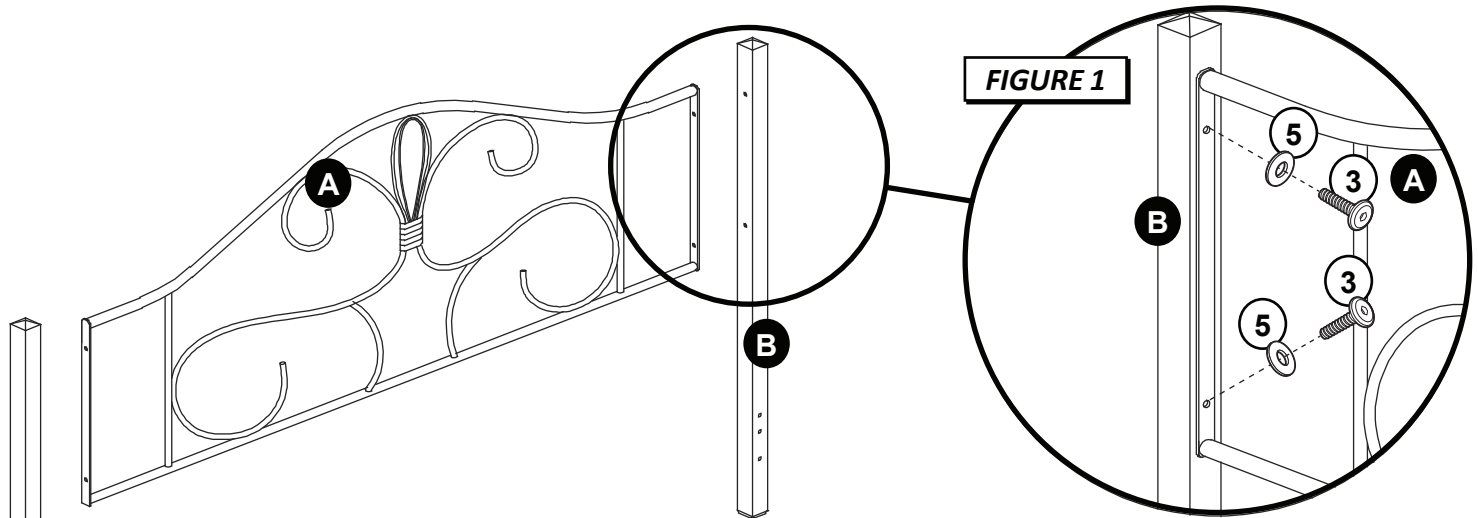
CODE	QTY	HARDWARE
1	4	M6 x 60 Allen Bolts 
2	4	M6 x 25mm Allen Bolts 
3	4	M6 x 16mm Allen Bolts 
4	8	Spring Washers 
5	12	Flat Washers 
6	8	Hex Nuts 
7	1	M4 Allen Wrench 

CODE	QTY	COMPONENTS	CODE	QTY	COMPONENTS
A	1	Headboard 	B	2	Headboard Post 
C	2	Adapter Plate 			



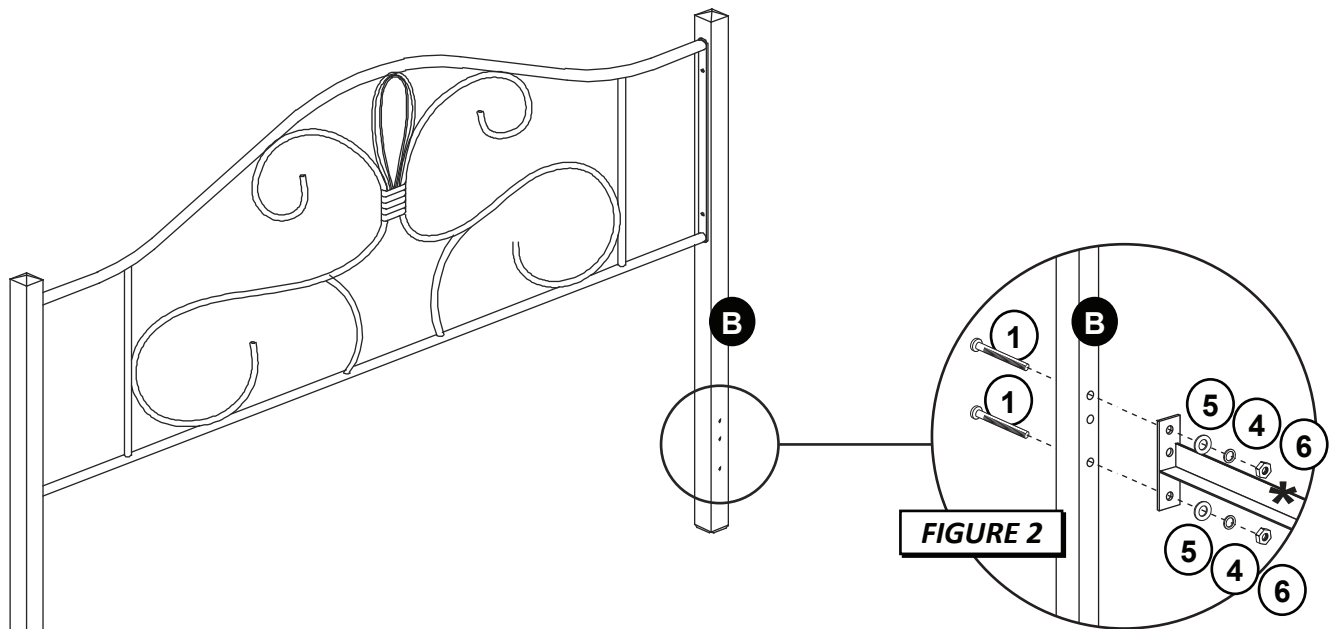
## WARNING

- Do not let any sharp objects touch or rub the surface of the product.
- When assembling, do not let children play around the working area.
- Please confirm all parts are correct before starting the assembly process.
- Do not tighten all bolts and screws completely until the entire unit has been assembled and set up.
- Be careful if using power tools as they can over tighten screws and strip threads.



**STEP 1 - Figure 1**

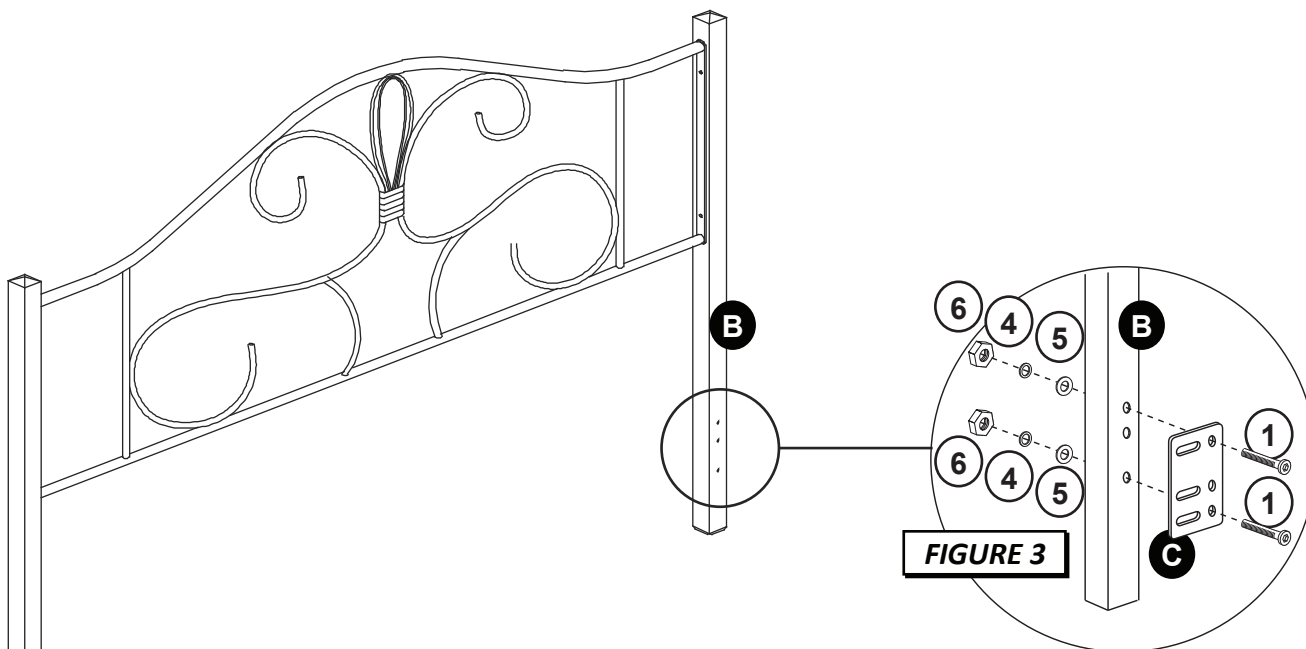
Begin assembly by attaching Headboard Posts (B) to Headboard (A) using 2 Allen Bolts (3) and 2 Flat Washers (5) per side. Tighten bolts using Allen Wrench (7) provided.



**\* Bed Frame  
not included**

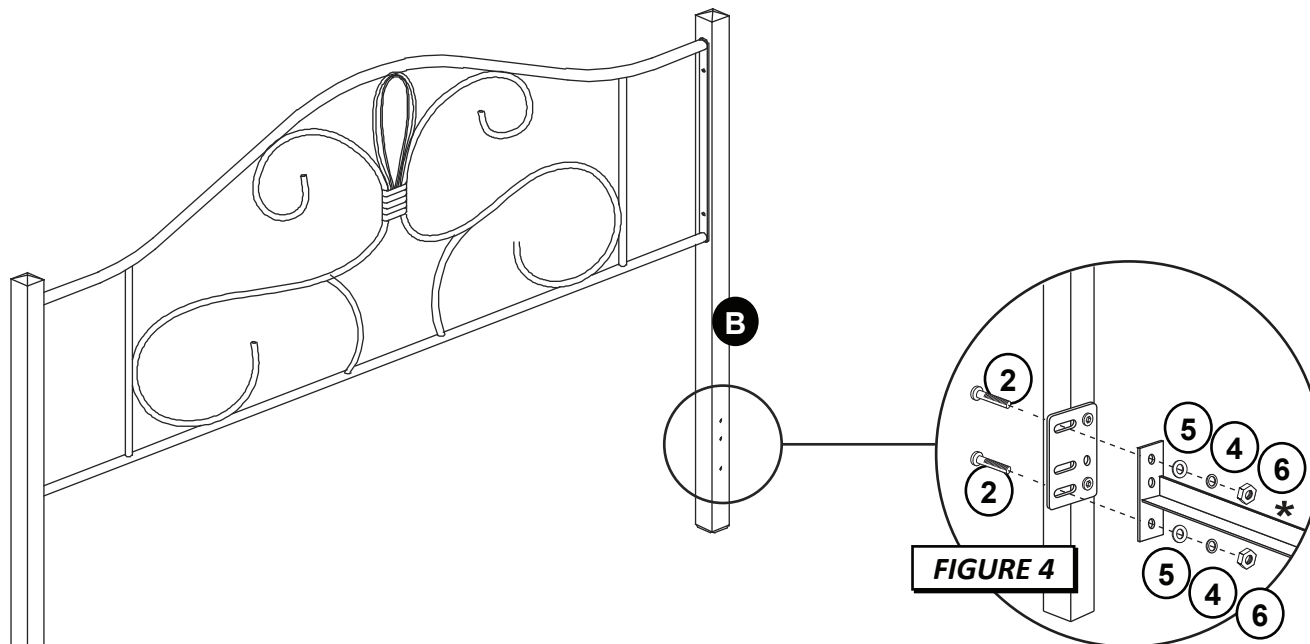
**STEP 2 - Figure 2 (For Queen Size Only)**

Attach Bed Frame (\*Not Included) to each Headboard Post (B) using 2 Allen Bolts (1) from the back side, 2 Flat Washers (5), 2 Spring Washers (4) & 2 Hex Nuts (6) per each side. Tighten all bolts only using Allen Wrench (7) provided. **Discard remaining hardware ONLY IF this for Queen Size Headboard. See Steps 3 & 4 for Full Size Assembly ONLY.**



**STEP 3 - Figure 3 (For Full Size Bed Only)**

Attach adapter Plate (C) to each Headboard Post (B) using 2 Long Allen Bolts (1), 2 Flat Washers (5), 2 Spring Washers (4) & 2 Hex Nuts (6) per each plate. Tighten All Bolts.



**STEP 4 - Figure 4 (For Full Size Bed Only)**

Attach Bed Frame (\*Not included) to each Adapter Plate (C) using 2 Allen Bolts (2), 2 Flat Washers (5), 2 Spring Washers (4) & 2 Hex Nuts (6) per each plate. Tighten All Bolts. The assembly is now complete.