

LIFAN
POWER
USA

WWW.LIFANPOWERUSA.COM

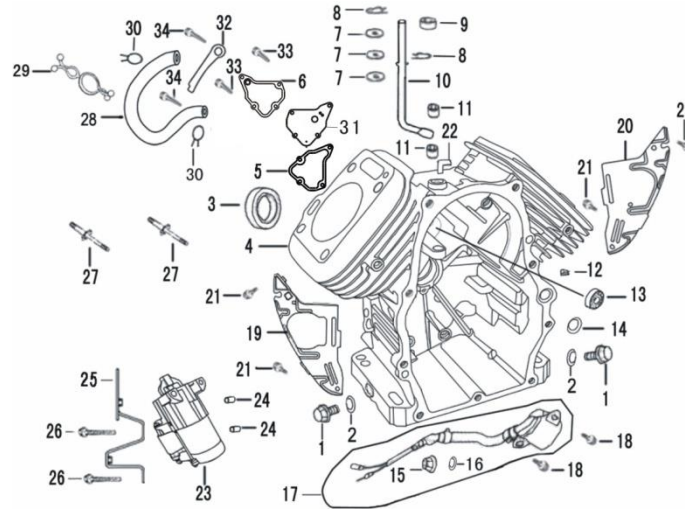
LF2V78-F ENGINE

EXPLODED VIEWS & PARTS LISTS



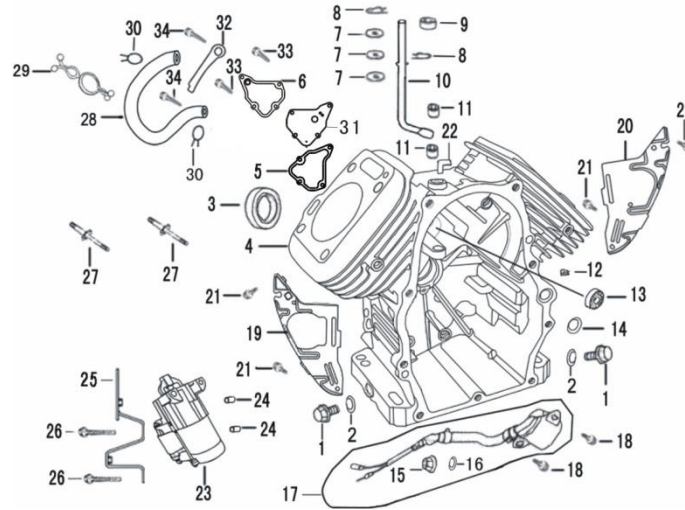
2205 Industrial Park Road Van Buren, AR 72956
(866) 471-7464 www.lifanpowerusa.com

E-1 CRANKCASE ASSY



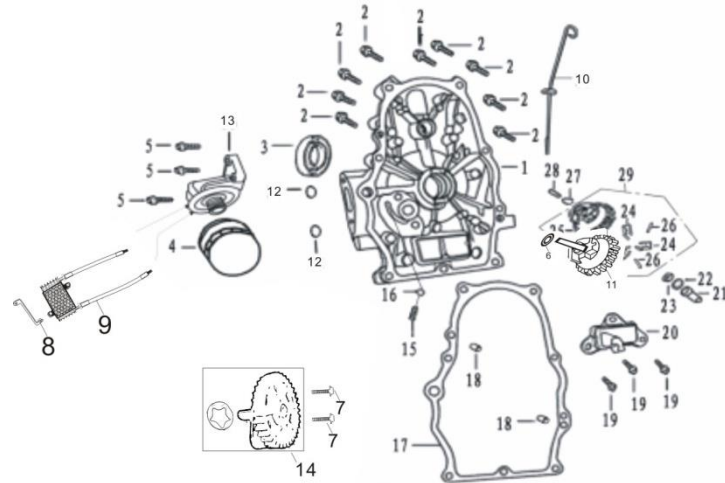
S/N	Part No.	Description	Quantity	Remark
1	11115-A1310-0001	Drain plug	2	
2	11116-A0710-0001	Washer drain plug	2	
3	11120-A1310-0001	Oil seal, crankshaft38×58×8	1	
4	11110-A2410-0007	Crankcase	1	
5	12217-A1310-0004	Gasket, labyrinth gland	2	
6	12213-A1310-0002	Gland, labyrinth	1	
7	26113-A1310-0001	Washer	3	
8	26112-A0710-0001	Split pin	2	
9	11130-A1010-0001	Oil seal, regulating sway bar8X14X5	1	
10	26111-A1310-0001	Regulating sway bar	1	
11	T912-0001	Roller bearing 8X10X12	2	
12	11214-A1310-0001	Plug, oil passage	1	
13	T910-0042	Bearing 6003	1	
14	11119-A1310-0002	O-ring 13 X 2.5	1	
15	T311-0008	Nut M10	1	
16	GB/T3452.1	O-ring 13 X 1.4	1	
17	27400-A1310-0001	Oil sensor	1	

E-1 CRANKCASE ASSY



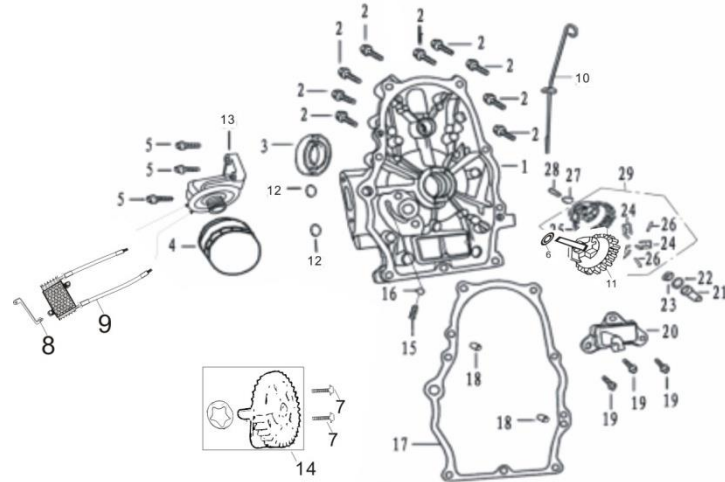
S/N	Part No.	Description	Quantity	Remark
18	T152-0054	Bolt M6×16	2	
19	19311-A1310-0001	Slide plate, crankcase I	1	
20	19315-A1310-0001	Slide plate, crankcase II	1	
21	T151-0002	Bolt M6×12	4	
22	19140-A1310-0001	Nipple, exhaust	1	
23	24100-A1310-0001	Motor, starting	1	
24	24143-A1310-0001	Dowel pin, Motor, starting	2	
25	24141-A1310-0001	Connecting member set, starting motor	1	
26	24144-A1310-0001	Bolt M8×110	2	
28	19143-A1310-0001	Pipe, exhaust	1	
29	19144-A1310-0002	Clamp set, exhaust pipe	1	
30	19144-A1310-0003	Clamp, exhaust pipe	2	
31	12250-A1310-0001	Valve piece	1	
32	24145-A1310-0001	Wire holder	1	
33	T152-0054	Bolt M6×16	2	
34	T152-0031	Bolt M6×30	2	

E-2 CRANKCASE COVER ASSY



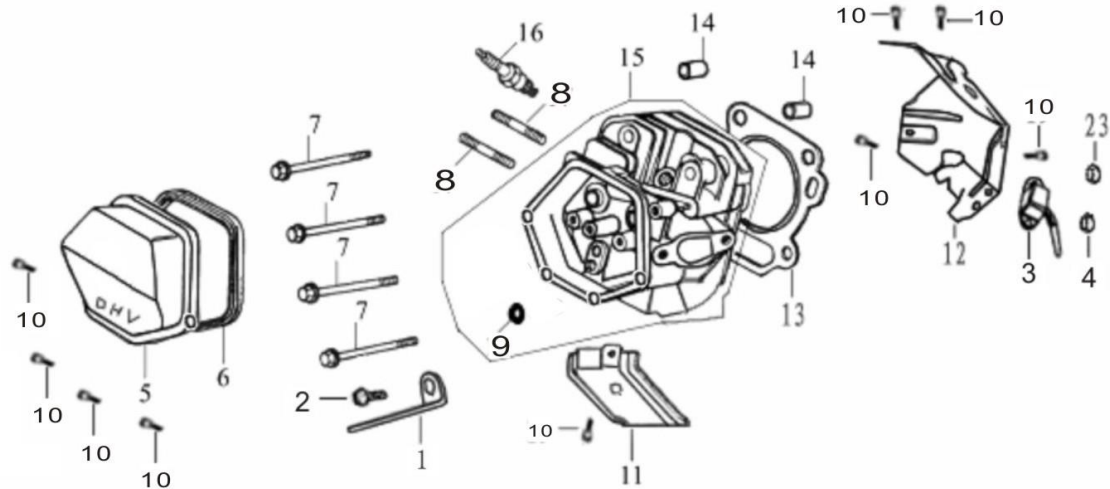
S/N	Part No.	Description	Quantity	Remark
1	11211-A1310-0001	Crankcase cover	1	
2	12118-A1710-0001	Bolt M8×50	9	
3	11120-A1310-0001	Oil seal, crankshaft 38X58X8	1	
4	15200-A1310-0001	Oil filter Assy	1	
5	GB/T16674.1	Bolt M6×25	3	
6	25118-A0810-0001	Washer, driven gear	1	
7	GB/T70.1	Screw M6×16	2	
8	19620-A2410-0001	Cooler mounting support	1	
9	19630-A2410-0002	Oil cooler	1	
10	15510-A1310-0001	Dipstick with seal	1	
11	25100-A1310-0001	Driven gear, regulator assy	1	
12	15248-A1310-0002	O-ring	2	
13	15211-A2410-0001	Oil filter mount	1	
14	15100-A1310-0001	Oil pump Assy	1	
15	15118-A1310-0001	Spring	1	
16	T962-0001	Ball S φ 9.5	1	
17	11114-A1310-0001	Gasket, crankcase	1	

E-2 CRANKCASE COVER ASSY



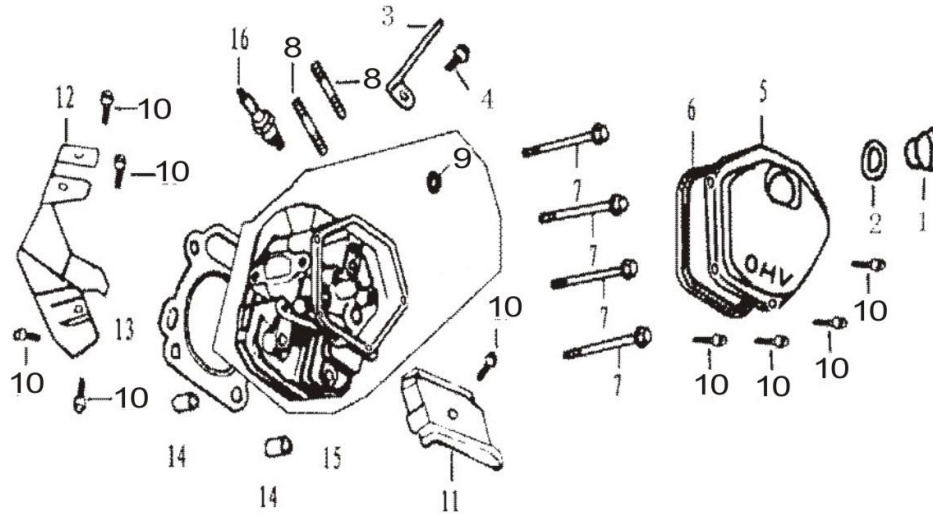
S/N	Part No.	Description	Quantity	Remark
18	11113-A0810-0001	Set pin	2	
19	T152-0054	Bolt M6×16	3	
20	15250-A1310-0002	Gauze set	1	

E-3 I CYLINDER HEAD & CYLINDER HEAD COVER ASSY I



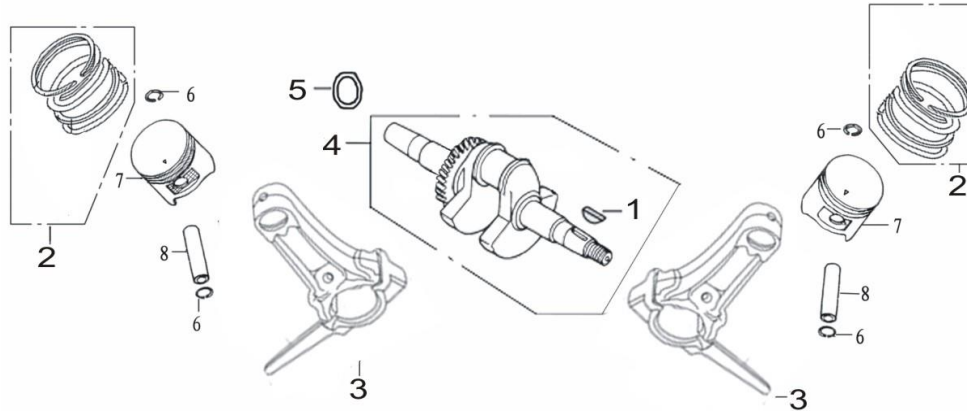
S/N	Part No.	Description	Quantity	Remark
1	24146-A1310-0001	Lifting bale support	1	
2	T151-0005	Bolt M8×16	1	
3	27500-A1310-0001	Diode	1	
4	T311-0002	Nut M6	2	
5	12132-A1310-0001	Cylinder head cover Assy I	1	
6	12212-A1310-0002	Gasket, cylinder head cover	1	
7	12118-A0810-0001	Bolt	4	
8	18214-A1310-0001	Stud	2	
9	14420-A0810-0001	Seal	1	
10	T151-0002	Bolt M6×12	9	
11	19114-A1310-0001	Deflector	1	
12	19121-A1310-0001	Lead wind cover I	1	
13	12120-A2410-0001	Gasket, cylinder head	1	
14	12117-A1310-0001	Set pin 12X16	2	
15	12131-A1310-0001	Cylinder head Assy I	1	
16	27100-A0710-0001	Spark plug F6TC	1	

E-4 气缸头 气缸头盖总成 II CYLINDER HEAD & CYLINDER HEAD COVER ASSY II



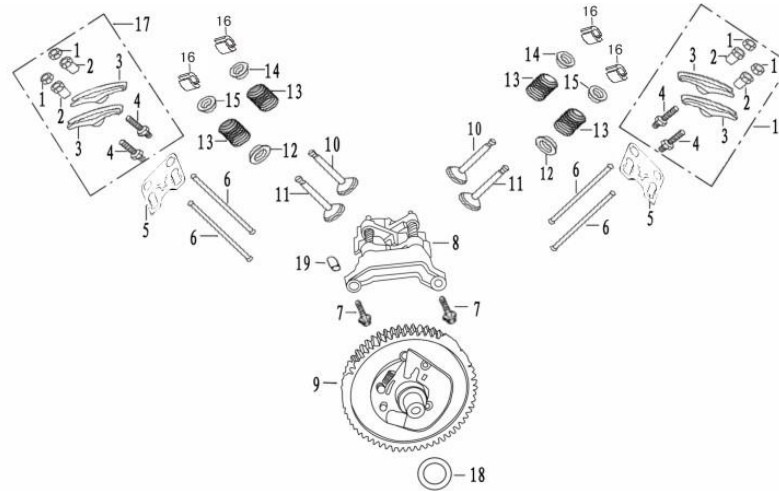
S/N	Part No.	Description	Quantity	Remark
1	15651/2V77F	Oil plug	1	
2	15652/2V77F	Seal	1	
3	24146-A1310-0001	Lifting bale support	1	
4	GB/T16674.1	Bolt M8×16	1	
5	12142-A1310-0001	Cylinder head cover Assy II	1	
6	12212-A1310-0002	Gasket, cylinder head cover	1	
7	12118-A0810-0001	Bolt	4	
8	18214-A1310-0001	Stud	2	
9	14730/173F	Seal	1	
10	GB/T16674.1	Bolt M6×12	10	
11	19114-A1310-0001	Deflector	1	
12	19131-A1310-0001	Lead wind cover II	1	
13	12120-A2410-0001	Gasket, cylinder head	1	
14	12117-A1310-0001	Set pin 12X16	2	
15	12141-A1310-0001	Cylinder head Assy II	1	
16	27100-A0710-0001	Spark plug F6TC	1	

E-5 CRANKSHAFT, PISTON, CONNECTING



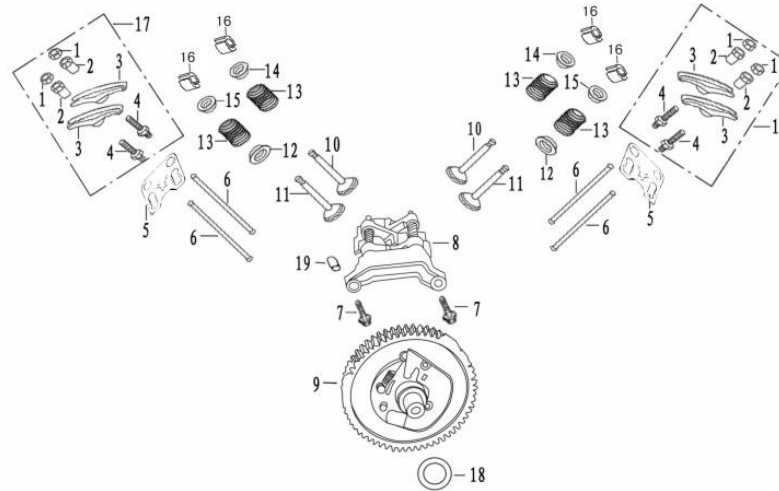
S/N	Part No.	Description	Quantity	Remark
1	13112-A0710-0001	Wood ruff key	1	
2	13400-A2410-0001	Piston ring set	2	
3	13120-A2410-0001	Connecting rod assy	2	
4	13110-A2410-0007	Crankshaft assy	1	
5	13115-A1310-0001	Adjusting washer	1	
6	13313-A0710-0001	Piston pin circlip	4	
7	13311-A2410-0001	Piston	2	
8	13312-A1310-0001	Piston pin	2	

E-6 COMBINATION OF CAM SHAFT & VALVE ROCKER



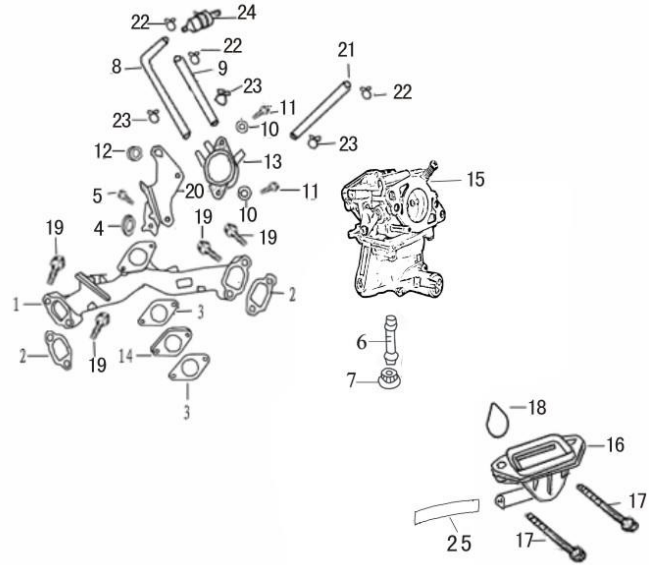
S/N	Part No.	零 部 件 名 称	Description	Quantity	Remark
1	14314-A0710-0001		Lock nut	4	
2	14312-A0710-0001		Sleeve	4	
3	14311-A0810-0001		Valve rocker	4	
4	14313-A0710-0001		Adjusting bolt for valve gap	4	
5	14220-A0810-0002		Pusher guide	2	
6	14210-A1310-0001		Pusher	4	
7	T152-0013		Bolt M6×20	2	
8	14500-A1310-0002		Rocker arm Assy,lower	1	
9	14100-A1310-0001		Camshaft assy	1	
10	14411-A1010-0003		Intake valve	2	
11	14412-A1010-0003		Exhaust valve	2	
12	14417-A0810-0001		Spring retainer, exhaust valve	2	
13	14414-A0810-0001		Valve spring	4	
14	14415-A0810-0001		Spring seat, exhaust valve	2	
15	14413-A0810-0001		Spring seat, intake valve	2	
16	14418-A1010-0001		Valve lock clamp	8	
17	14310-A0810-0001		Valve rocker assy	2	

E-6 COMBINATION OF CAM SHAFT & VALVE ROCKER



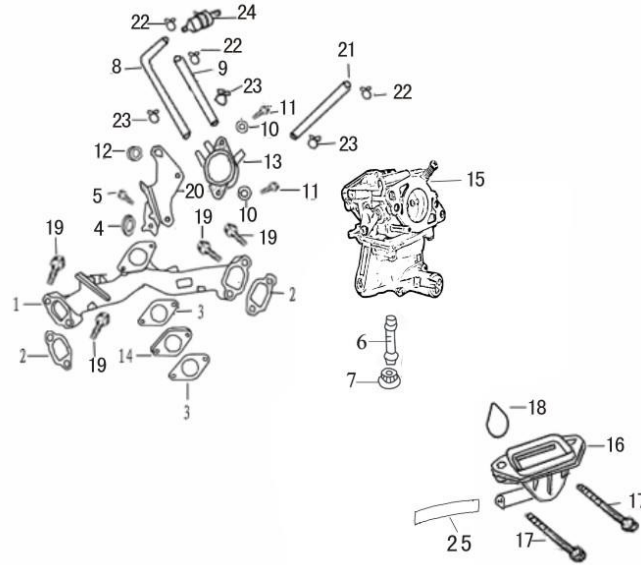
S/N	Part No.		Description	Quantity	Remark
18	14114-A1310-0001		Adjusting washer	1	
19	11113-A0810-0001		Set pin $\Phi 8 \times 12$	1	

E-7 CARBURETOR ASSY & INLET PIPE ASSY



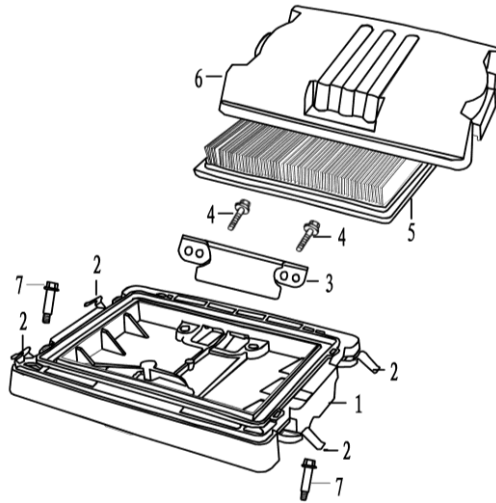
S/N	Part No.	Description	Quantity	Remark
1	17211-A1310-0001	Inlet pipe	1	
2	17219-A1310-0001	Inlet gasket	2	
3	16113-A1310-0001	Carburetor gasket	2	
4	16717-A1310-0001	Washer II	1	
5	T152-0054	Bolt M6×16	1	
6	16244-A1310-0001	Main nozzle	1	
7	16243-A1210-0001	Main jet	1	
8	16714-A1310-0003	Inlet pipe, fuel pump	1	
9	16716-A1310-0001	Vacuum pipe, fuel pump	1	
10	16713-A1310-0001	Washer, fuel pump	2	
11	T152-0054	Screw M6×12	2	
12	16712-A1310-0001	Washer I	1	
13	16700-A1310-0001	Fuel pump Assy	1	
14	16120-A1310-0001	Connecting block	1	
15	16100-A2410-0001	Carburetor Assy	1	

E-7 CARBURETOR ASSY & INLET PIPE ASSY



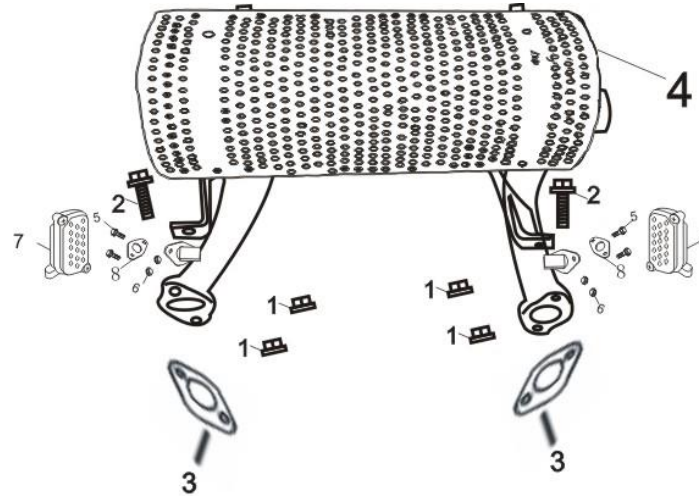
S/N	Part No.	Description	Quantity	Remark
16	17230-A1310-0002	Bracket, air cleaner	1	
17	T151-0038	Bolt M6×120	2	
18	17212-A1310-0001	gasket, inlet pipe	1	
19	GB/T16674.1	Bolt M8×50	4	
20	16711-A1310-0001	Gas pump support	1	
21	16715-A1310-0003	Outlet pipe, fuel pump	1	
22	16622-A0710-0002	Clamp, pipe I	3	
23	16622-A0710-0003	Clamp, pipe II	3	
24	16660-A1713-0001	Gas filter		
25	17211-A1310-0001	Air inlet hose		

E-8 AIR CLEANER ASSY



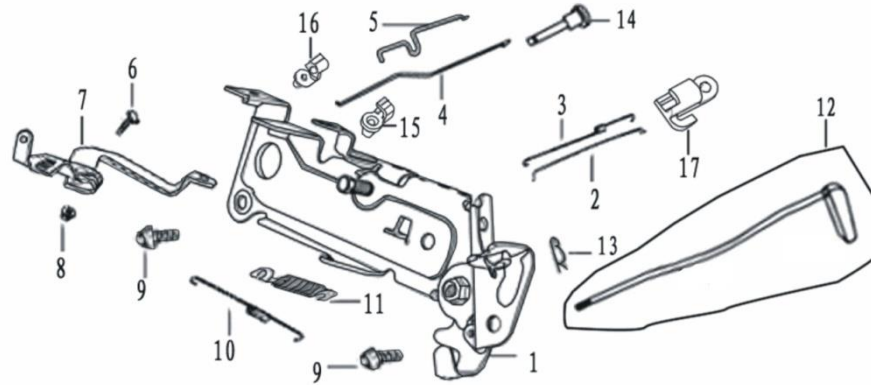
Ref.No.	Part No	Description	Quantity	Remark
1	17131/2V77F	Air cleaner housing	1	
2	17119-A1310-0001	Clamp, air cleaner	4	
3	17115-A1310-0001	Air filter cover	1	
4	T152-0034	Bolt M6×25	2	
5	17120-A1310-0001	Filter element	1	
6	17112-A1310-0001	Air cleaner cover	1	
7	17117-A1310-0001	Bolt, air cleaner	2	

E-9 MUFFLER



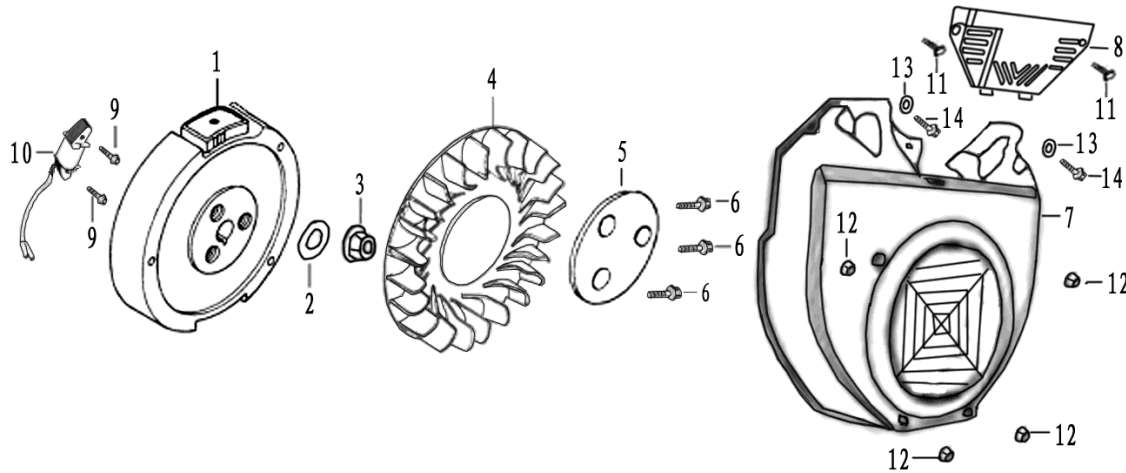
Ref.No.	Part No	Description	Quantity	Remark
1	T310-0001	Nut M8	4	
2	T151-0005	Bolt M8X16	2	
3	18215-A1310-0001	Screw M8×16	2	
4	18000-A1310-0005	Muffler	1	
5	T152-0013	Bolt M6X20	4	
6	T314-0001	Nut M6	4	
7	18171-A0710-0001	Secondary air valve	2	
8	18172-A0710-0001	Secondary air valve gasket	2	
9				
10				
11				

E-10 REGULATING CONTROL SYSTEM



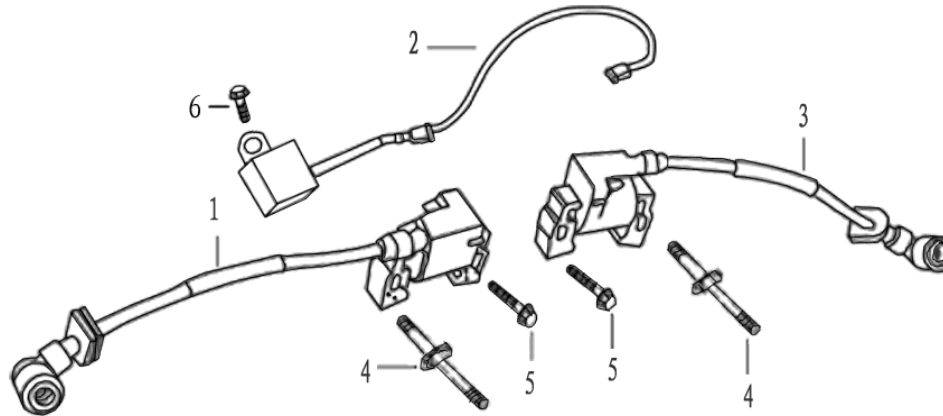
Ref.No.	Part No	Description	Quantity	Remark
1	26200-A1310-0001	Regulating board	1	
2	26115-A1310-0001	Pulling rod	1	
3	26117-A1310-0001	Back spring	1	
4	26119-A1310-0001	Choke link I	1	
5	26121-A1310-0002	Choke link II	1	
6	26116-A1310-0001	Lock bolt	1	
7	26114-A1310-0001	Regulating arm	1	
8	T314-0001	Nut M6	1	
9	T151-0005	Bolt M8×16	2	
10	26215-A1310-0001	Regulating spring	1	
11	26118-A1310-0001	Fine regulating spring	1	
12	26262-A1310-0002	Handle	1	
13	26112-A0710-0001	Clamp, regulating sway bar	1	
14	26114-A1310-0001	Switch, choke	1	
15	26123-A1310-0001	Clamp, Choke link II	1	
16	26122-A1310-0001	Clamp, Choke link I	1	
17	26124-A1310-0001	Clamp, pulling rod	1	

E-11 FLYWHEEL



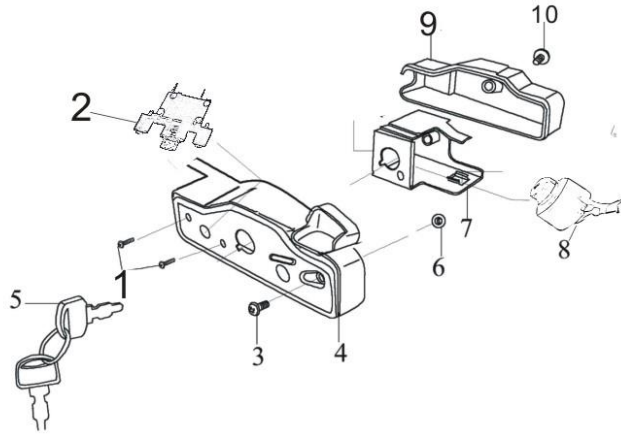
Ref.No.	Part No	Description	Quantity	Remark
1	23300-A1310-0001	Flywheel	1	
2	23319-A1310-0001	Washer, flywheel	1	
3	23317-A1310-0001	Nut M20×2	1	
4	19111-A1310-0001	Flywheel fan	1	
5	19151-A1310-0001	Fly wheel wire holder	1	
6	T151-0005	Bolt M8×16	3	
7	19210-A1310-0007	Fan hood assy	1	
8	19221-A1310-0003	Wind plate	1	
9	GB/T16674.1	Bolt M6×30	2	
10	24130-A1310-0001	CHarging coil	1	
11	T240-0001	Screw st4.2×19	2	
12	T314-0001	Nut M6	4	
13	16713-A1310-0001	Gas pump gasket	2	
14	T152-0054	Bolt M6×16	2	

E-12 IGNITION COIL



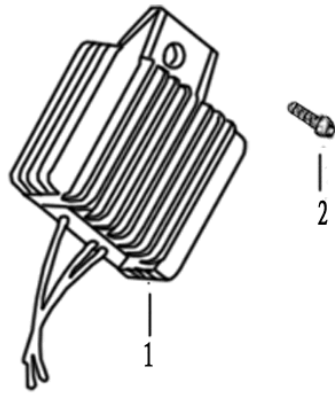
Ref.No.	Part No	Description	Quantity	Remark
1	27200-A1310-0002	Ignition coil assy I	1	
2	27330-A1310-0001	Off diode	1	
3	27600-A1310-0002	Ignition coil assy II	1	
4	34911/2V77F	Stud	2	
5	T152-0034	Bolt M6×25	2	
6	T151-0002	Bolt M6×12	1	

E-13



Ref.No.	Part No	Description	Quantity	Remark
1	T210-0021	Bolt M3×12 GB/T818	2	
2	24220-B9130-0001	Protector assy	1	
3	T151-0051	Bolt M4×10	1	
4	24211-A1310-0001	Control front cover	1	
5	31258-B9140-0001	Key	1	
6	T314-0008	Nut M4 GB187-86	1	
7	24212-A0814-0001	Fixed mount	1	
8	24215-A1014-0001	Key switch	1	
9	24213-A1014-0001	Control rear cover	1	
10	24214-A0814-0001	Attachment bolt	1	

E-14 Rectifier



Ref.No.	Part No	Description	Quantity	Remark
1	35318-A1310-0001	Rectifier	1	
2	T151-0002	Bolt M6×12	1	