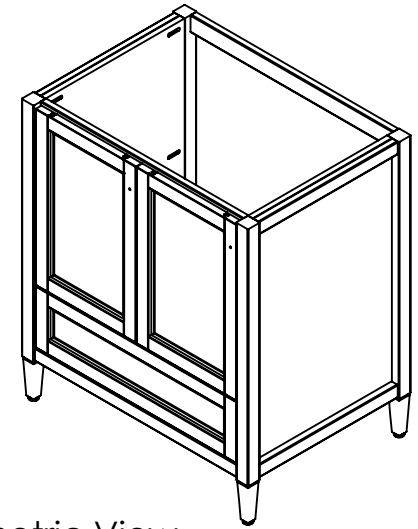
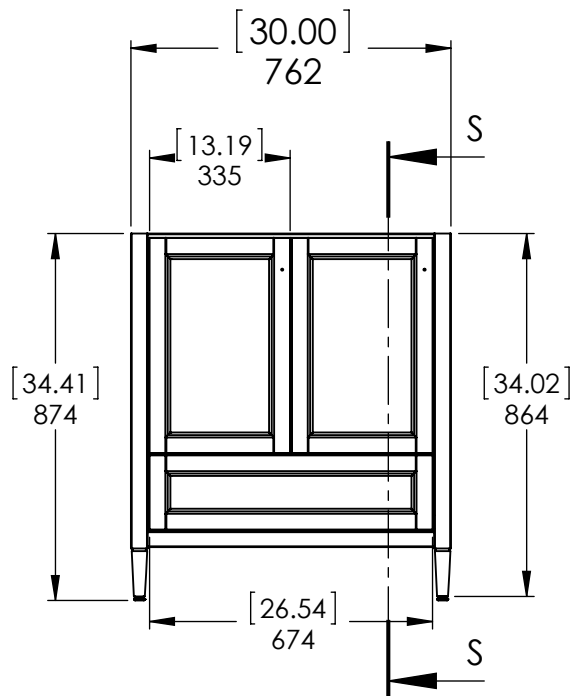


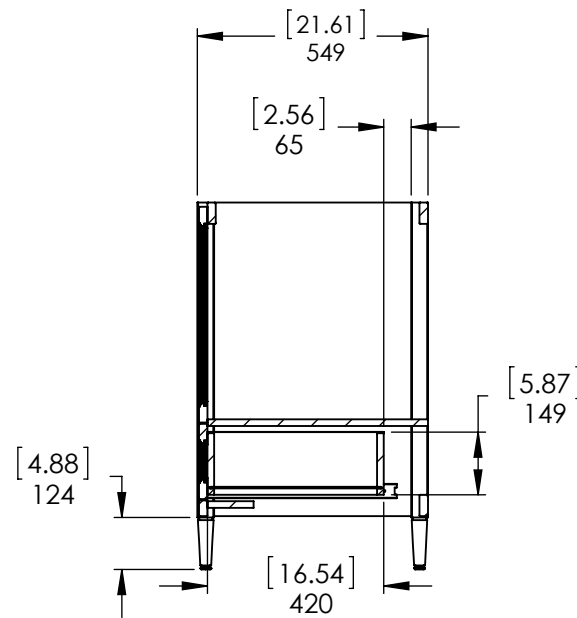
Top View



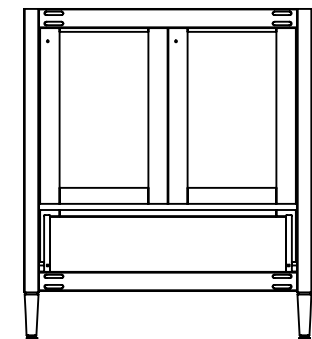
Isometric View



Front View



Section S-S
Scale 1 : 18



Back View

ITEM:	CB30-ST CBB30-CR	REV
	CB30-WH CBB30-FG	A
	CBB30-CH	

NAME: **Claxby 30in Vanity**



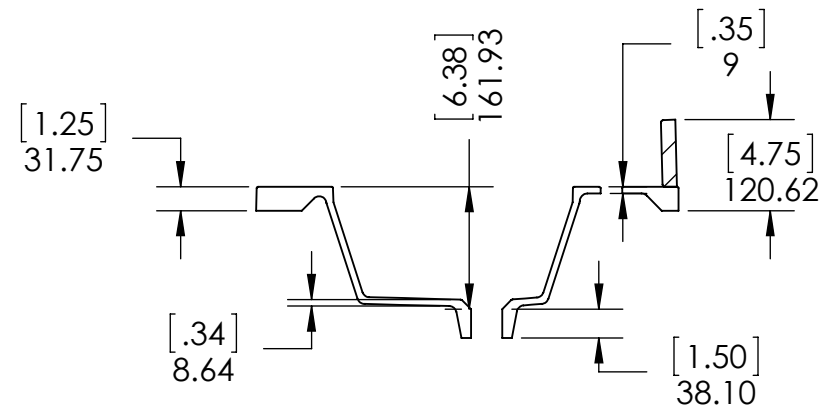
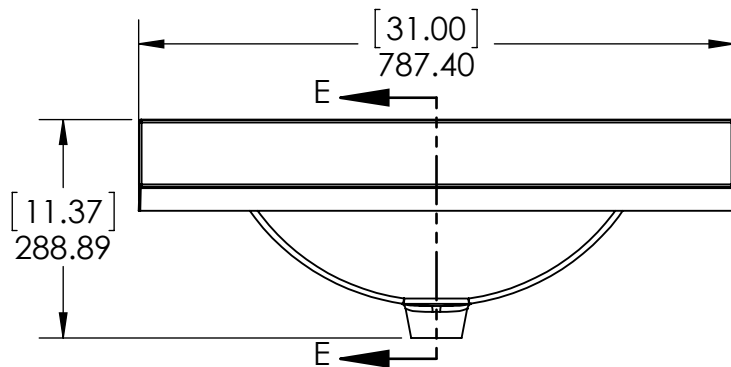
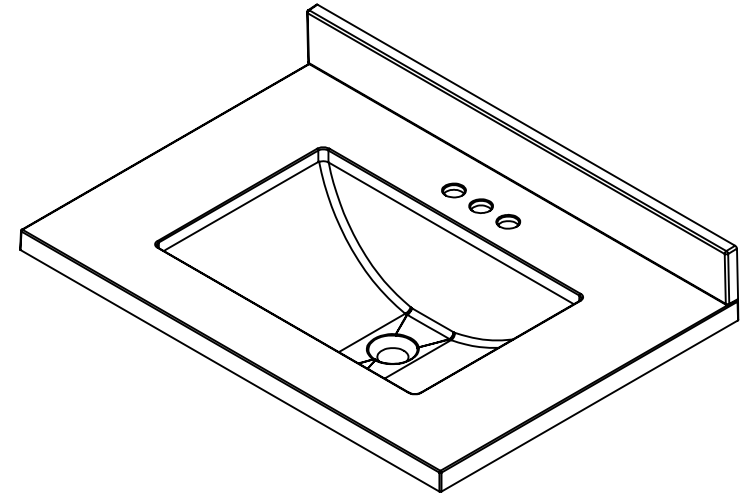
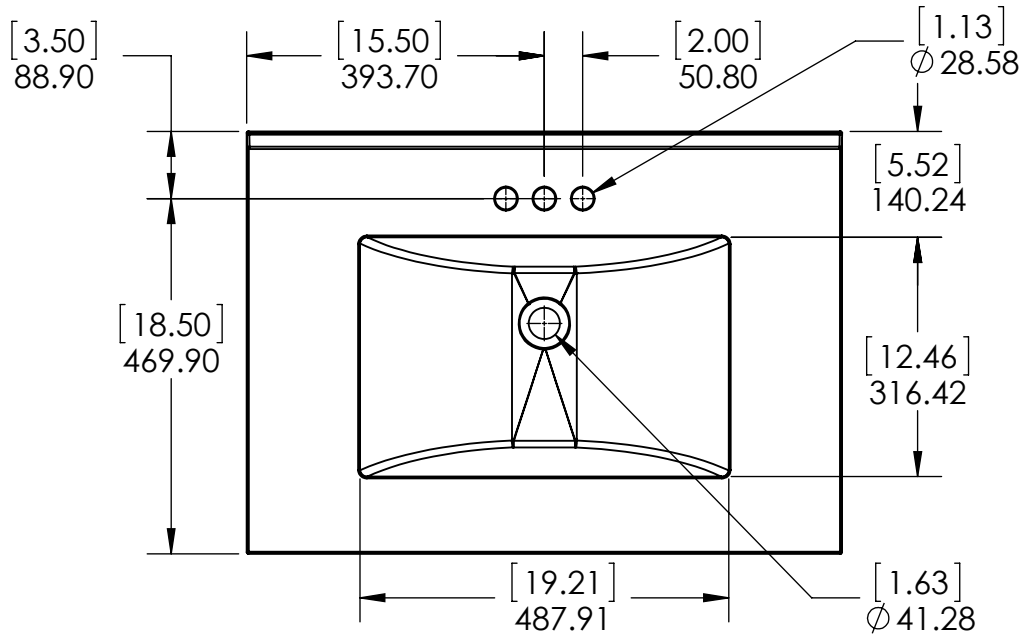
DRW:	ARB	05/21/18
REV:	ING	05/21/18
APP:	R&D	05/21/18

MATERIAL: **German Beech 4/4
Laminated particle board (2 Colours)**

SCALE: 1:13 MODEL: **Vanity Claxby 30in**

DRAWING TYPE	ITEM ID	ITEM DESCRIPTION	TECHNOLOGIES	DRAWING STATUS
Finish Good	SS3122R-TI	Vtop Rect 31x22 SS Titanium	Solid Surface	Design Process
Finish Good	SS31R-AH	Vtop Rect 31x22 SS Silver Ash Shark tank	Solid Surface	Ready for production

REV	ECO #	DESCRIPTION	REV'D BY DATE	CHK'D BY DATE	APRV'D BY DATE
1		Original	4/05/16	4/05/16	4/05/16
2		New color	1/31/18	1/31/18	1/31/18



PROPRIETARY AND CONFIDENTIAL
 THE INFORMATION CONTAINED IN THIS DRAWING IS THE SOLE PROPERTY OF WOODCRAFTERS. ANY REPRODUCTION IN PART OR AS A WHOLE WITHOUT THE WRITTEN PERMISSION OF WOODCRAFTERS IS PROHIBITED.

UNLESS OTHERWISE SPECIFIED
 DIMENSIONS ARE IN MM. AND (INCHES)
 TOLERANCES ARE
 +0.125 [3.175] -0.125 [-3.175]
 SCALE:1:10

	NAME	DATE
DRAWN	R. Rubio	1/31/18
CHECKED	O. Razo	1/31/18
ENG APPR.	R. Rubio	1/31/18
MFG APPR.	C. Leal	1/31/18

Wood Crafters

SIZE DWG. NO. **A** Vtop Rect 31x22 Solid Surface

SHEET 1 OF 1 REV. **2**