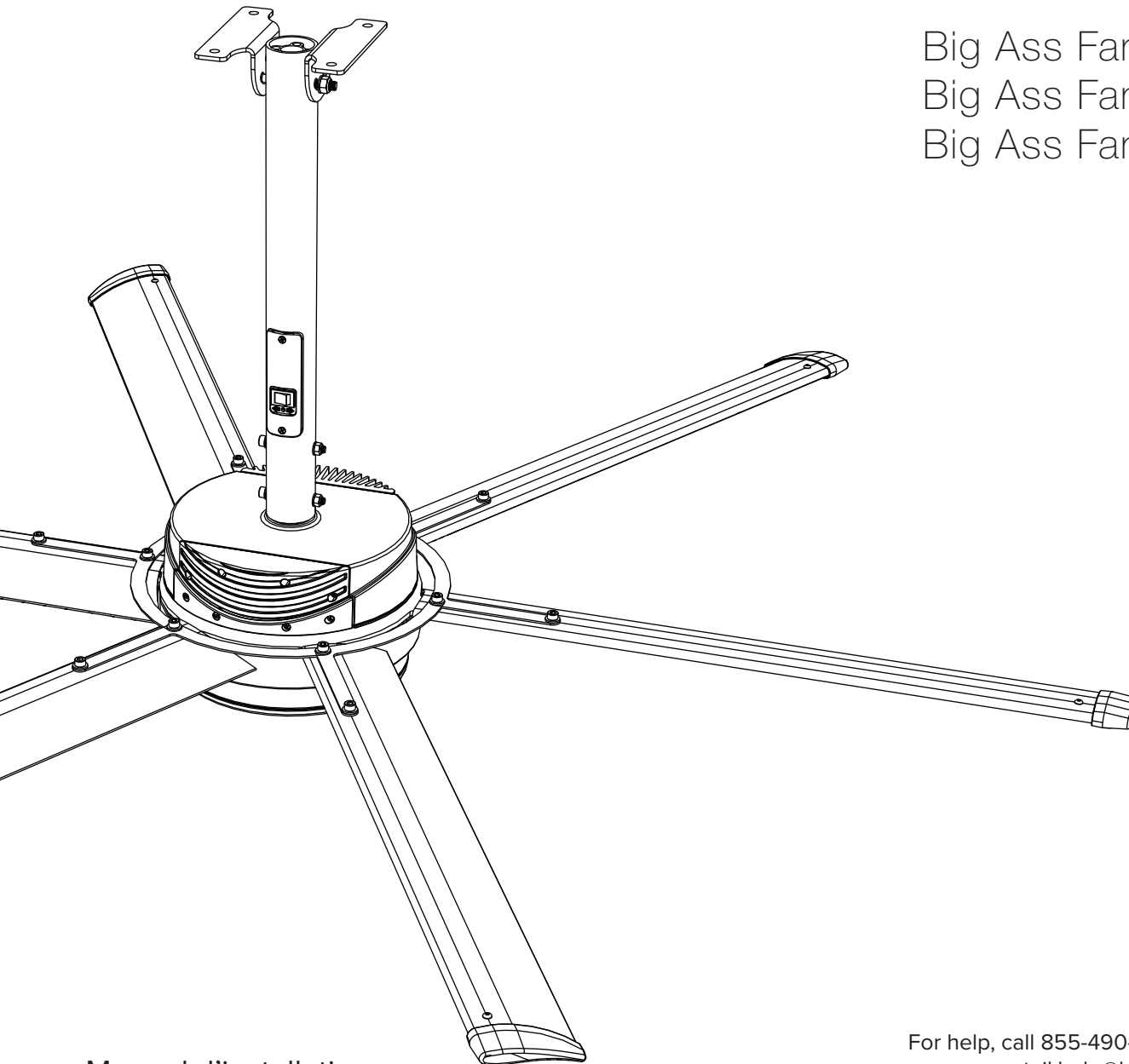




INSTALLATION GUIDE

Big Ass Fan® 2025
Big Ass Fan® 3025
Big Ass Fan® 3600



Manuel d'installation

For help, call 855-490-3048 or email
retail.help@bigassfans.com

PRE-INSTALLATION CHECKLIST

A structural engineer approved the mounting structure.

I am familiar with the function of the safety cable.

The fan will be installed so that the airfoils are at least 10 ft (3.05 m) above the floor.

The fan will be installed so that the airfoils have a minimum of 2 ft (0.61 m) of clearance from obstructions and the building structure.

The distance of the fan from the ceiling should be measured from the top of the airfoil tips to the ceiling.

The fan will be installed so that it is not subjected to high winds such as from an HVAC system or near a large garage door.

If the fan is mounted at the same level or higher than a diffuser, the airfoil tips must be at a distance that is at least 1x the measure of the fan's diameter. If the fan is mounted at the same height or below a diffuser, the airfoil tips must be at a distance that is at least 2x the measure of the fan's diameter.

The distance between multiple fans will be at least 2.5x the fans' diameter when measured from the centers of the fans.

The airfoils and other fan components are those that were shipped with the motor unit.

If installing multiple fans, do not mix and match fan components.

READ AND SAVE THESE INSTRUCTIONS



WARNING AND CAUTION SYMBOL

Indicates a hazard with a medium level of risk that could result in injury or death or damage to property if not avoided.



ELECTRICAL WARNING SYMBOL

Indicates an electrical hazard with a medium level of risk that could result in death or serious injury if not avoided.



Installation Guide
December 2018
Rev. I
12/18/2018

Original English Instructions



Conforms to UL STD 507–Electric Fans
Conforms to CSA C22.2 No.113–Fans & Ventilators

This product was manufactured in a plant whose Management System is certified as being in conformity with ISO 9001.

Legal

Improper installation, delivery, or maintenance, including, but not limited to, any of the following actions by the customer or agent of the customer will constitute a breach of and will void all warranties:

- Failure to follow the required installation procedures specified in this Installation Guide and in all other documentation supplied with the fans and related equipment including documentation provided by the manufacturers of the individual fan and control components;
- Failure to follow all relevant codes and ordinances, including, but not limited to, the National Electric Code (United States), applicable national and local electrical codes, and state and local building codes;
- Failure to follow electrical engineering industry standards regarding the approved method of installing solid-state electrical equipment having the characteristics of the fans, the fan controls, and their related components, even if such standards are not specifically referenced in any instructions or literature supplied by Big Ass Fans or provided by manufacturers.

All trademarks used herein are the properties of their respective owners. No part of this document may be reproduced or translated into a different language without the prior written consent of Big Ass Fans. The information contained in this document is subject to change without notice. For the most up-to-date information, see the online installation guide at www.bigassfans.com.

www.bigassfans.com/patents ▪ www.bigassfans.com/product-warranties

IMPORTANT SAFETY INSTRUCTIONS

TO REDUCE THE RISK OF FIRE, ELECTRIC SHOCK, OR INJURY TO PERSONS, OBSERVE THE FOLLOWING:

CAUTION: Installation work and electrical wiring must be done by qualified person(s) in accordance with all applicable codes and standards.

CAUTION: When cutting or drilling into wall or ceiling, do not damage electrical wiring and other hidden utilities.

CAUTION: Use this unit only in the manner intended by the manufacturer. If you have questions, contact the manufacturer.

WARNING: Before servicing or cleaning unit, switch power off at service panel and lock the service disconnecting means to prevent power from being switched on accidentally. When the service disconnecting means cannot be locked, securely fasten a prominent warning device, such as a tag, to the service panel.

CAUTION: The installation of a Big Ass Fan must be in accordance with the requirements specified in this installation manual and with any additional requirements set forth by the National Electric Code (NEC), ANSI/NFPA 70-2014, and all local codes. Code compliance is ultimately YOUR responsibility! Failure to comply with these codes could result in personal injury or property damage.

CAUTION: Exercise caution and common sense when powering the fan. Do not connect the fan to a damaged or hazardous power source. Do not attempt to resolve electrical malfunctions or failures on your own. Contact Big Ass Fans if you have any questions regarding the electrical installation of this fan.

WARNING: To reduce the risk of fire, electric shock, and injury to persons, Big Ass Fans must be installed with Big Ass Fan supplied controllers that are marked (on their cartons) to indicate the suitability with this model. Other parts cannot be substituted.

CAUTION: When service or replacement of a component in the fan requires the removal or disconnection of a safety device, the safety device is to be reinstalled or remounted as previously installed.

WARNING: Risk of fire, electric shock, or injury to persons during cleaning and user-maintenance! Disconnect the fan from the power supply before servicing.

CAUTION: Do not bend the airfoils when installing, adjusting, or cleaning the fan. Do not insert foreign objects in between rotating airfoils.

WARNING: Stay alert, watch what you are doing, and use common sense when installing fans. Do not install fans if tired or under the influence of drugs, alcohol, or medication. A moment of inattention while installing fans may result in serious personal injury.

CAUTION: The installation of this fan requires the use of some power tools. Follow the safety procedures found in the owner's manual for each of these tools and do not use them for purposes other than those intended by the manufacturer.

CAUTION: The Big Ass Fans product warranty will not cover equipment damage or failure caused by improper installation.

WARNING: This appliance is not intended for use by persons (including children) with reduced physical, sensory or mental capabilities, or lack of experience and knowledge, unless they have been given supervision or instruction concerning use of the appliance by a responsible person. Children should be supervised to ensure that they do not play with the appliance.

Leave this installation guide with the owner of the fan after installation is complete.

CONTENTS

Introduction	Safety Instructions.....	ii
Technical Specifications	Technical Specifications	1
Before Installing Your Fan	Tools.....	2
	Electrical Guidelines	2
	Location and Clearance Guidelines	2
	Clearance from HVAC Equipment and Radiant Heaters	3
	Hardware.....	4
	Parts	5
Fan Diagram	Fan Diagram	6
Installation	Overview	7
	1. Prepare the Bar Joists.....	8
	2. Route Wiring and Safety Cable into Extension Tube.....	11
	3. Attach Upper Mount and Upper Mounting Brace	11
	4. Attach Upper Mount to Angle Irons	12
	5. Secure the Safety Cable	13
	6. Secure Safety Cable to Main Fan Unit	14
	7. Attach Main Fan Unit to Extension Tube.....	15
	8. Tighten Hardware	15
	9. Connect Power and Wall Controller Wiring.....	16
	10. Install the Cover Plate	17
	11. Install the Lower Cover Mounting Bracket.....	17
	12. Install the Lower Cover.....	18
	13. Install the Trim Ring	18
	14. Mount the Wall Controller	19
	15. Wire the Fan and Wall Controller.....	20
	16. Install the Airfoils	20
Wiring Diagrams & Electrical Guidelines	Electrical Safety Instructions	22
	Wiring Diagram	22
	Wiring: Fire Signal Relay.....	23
Operating the Fan	Starting and Stopping the Fan.....	24
	Adjusting Fan Speed.....	24
	Changing the Fan Direction	24
	Heating Season & Cooling Season	25
Preventive Maintenance	Annual & General Preventive Maintenance	26
	Annual Maintenance Checklist.....	27
Troubleshooting	General Troubleshooting	29
	Electrical Troubleshooting	30
	Replacing Fuses	32
Contact Us	Contact Us.....	33

TECHNICAL SPECIFICATIONS

Model	Diameter	Input Power	Minimum Circuit Size	Rated Current	Maximum Speed	Airfoil Length
Big Ass Fan® 2025	7 ft (2.13 m)	110–125 VAC, 50/60 Hz, 1 Φ	10 A	5.1 A	198 RPM	35.5" (90.2 cm)
Big Ass Fan® 3025	10 ft (3.05 m)	110–125 VAC, 50/60 Hz, 1 Φ	10 A	6.0 A	124 RPM	50.8" (129 cm)
Big Ass Fan® 3600	12 ft (3.66 m)	110–125 VAC, 50/60 Hz, 1 Φ	10 A	4.1 A	85 RPM	62.8" (159.5 cm)



BEFORE INSTALLING YOUR FAN

Read the following pre-installation procedures and checks to ensure you have all necessary items for installation.

Tools

The main fan unit is heavy. A suitable means for lifting the weight of the fan, such as a scissor lift, at least two personnel, and the following tools will be required. *Note: Depending on your application, additional tools may be required.*

- Standard and metric wrench sets
- Standard and metric socket and ratchet sets
- Torque wrench capable of 40 ft·lb (54.2 N·m) & 3/4" socket
- Phillips and flat head screwdrivers
- Metric allen wrench set
- Metric allen head sockets
- Drill
- Hacksaw
- Level
- Tape measure
- #10 to #14 AWG strippers
- Medium channel locks
- Multimeter

Electrical guidelines

If you are unfamiliar or uncomfortable with the installation of electrical components, do not attempt to install the fan without an electrician. This guide is merely a recommendation of proper installation.

- Ensure power wiring is routed to a junction box at the fan location prior to installation.
- Refer to the Technical Specifications section and fan label for appropriate circuit requirements for your fan.
- To reduce the risk of electric shock, wiring should be performed by a qualified electrician. Incorrect assembly can cause electric shock or damage to the motor or controller.
- The electrical installation of the fan must be in accordance with the National Electrical Code, ANSI/NFPA 70-2014, if applicable, and all local codes.
- See the Wiring Diagrams & Electrical Guidelines section for detailed electrical requirements.

Location and clearance guidelines

Before beginning installation, check that the building structure and fan location meet Big Ass Fans' safety guidelines by confirming the below requirements. *If a fan application does not meet these requirements, contact Customer Service to discuss alternative installations or other fan options.*

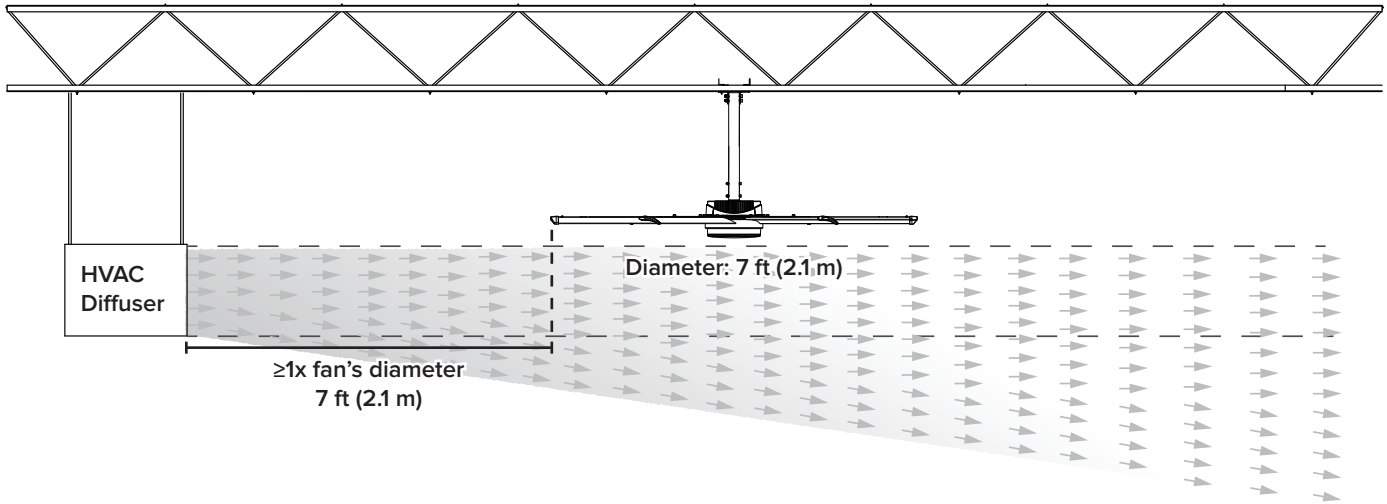
- The fan must be installed so that it is plumb to the ground.
- All fan parts must be ≥ 2 ft (61 cm) from all obstructions and ≥ 3 ft (91 cm) below sprinklers. The fan installation area must be free of obstructions such as lights, cables, or other building structure components.
- The fan must be installed so that it is ≥ 10 ft (3 m) above the finished floor.
- Multiple fans must be spaced at a center-to-center distance that is no less than 2.5x the fan diameter.
- If mounting the fan in the vicinity of an infrared/radiant heater, Big Ass Fans recommends that the fan be mounted outside of the clearances recommended by the manufacturer of the heater and at a height equal to or above the shielding on the heating element with the controller on the opposite side of the heater. If mounting the fan below the heater shielding, all fan elements must be outside of the clearances recommended by the heater manufacturer. The installation manual for the specific model of heater will typically provide the minimum clearance to combustibles (MCC).

Clearance from HVAC equipment and radiant heaters

The fan must be installed at the minimum distances shown below in relation to HVAC (Heating, Ventilation, and Cooling) systems. See the manufacturer's requirements for the minimum clearance to combustibles.

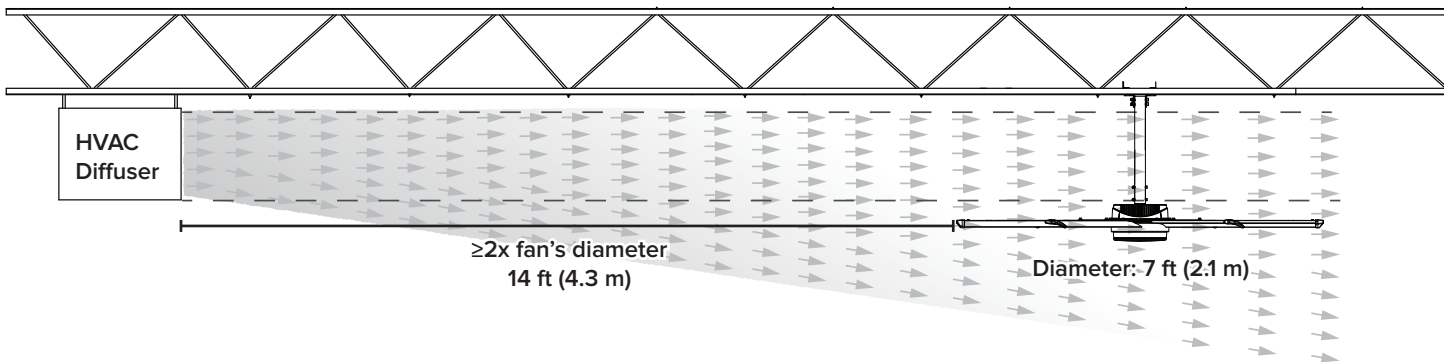
Fan located at or above HVAC discharge or intake

If the fan is at the same level or above the HVAC diffuser, it must have a clearance of $\geq 1x$ fan's diameter.



Fan located below HVAC discharge or intake

If the fan is located below the HVAC diffuser, it must have a clearance of $\geq 2x$ the fan's diameter.



Hardware

Verify you have all of the following required hardware before beginning the installation process. If you are missing any piece required for installation, contact Big Ass Fans Customer Service.

Mounting Hardware

Mounting Hardware^{1,2}

- (5) M10 x 40 mm Hex Head Cap Screws
- (9) M10 Flat Washers
- (5) M10 Nylock Nuts

Extension Tube Hardware²

- (3) M10 x 90 mm Socket Head Cap Screws
- (5) M10 Flat Washers
- (3) M10 Nylock Nuts

Main Fan Unit Hardware²

- (3) M8 x 75 mm Socket Head Cap Screws
- (5) M8 Flat Washers
- (3) M8 Nylock Nuts

Airfoil Hardware

Airfoil Hardware²

- (13) M8 x 18 mm Socket Head Cap Screws
- (13) 8 mm Belleville Washers

Airfoil Tip Hardware²

- (7) M5 x 12 mm Button Head Screws

Safety Cable, Cover Plate, & Lower Cover Hardware

Safety Cable Hardware

- 5/16" Clevis Pin
- Cotter Pin
- Gripple[®]

Cover Plate Hardware²

- (3) 8-32 x 1/2" Flat Head Screws

Lower Cover Hardware²

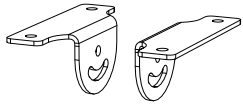
- (4) 8-32 x 3/8" Pan Head Screws
- (9) 6-32 x 3/8" Pan Head Screws

1. Square washers are included for mounting the fan to angle irons. The number of square washers used depends on the number of angle irons used.

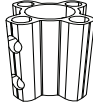
2. One extra of each piece of hardware is included.

Parts

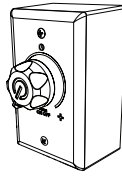
Check that the fan boxes have all the parts before beginning installation. If you ordered multiple fans, be sure to keep the components of each fan together. The fans each have differently rated components that are not interchangeable. Do not remove the main fan unit from its protective packaging or place it on a flat surface prior to hanging it. *Note: Illustrations are not to scale.*



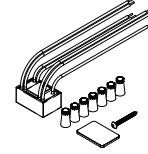
Upper Mount



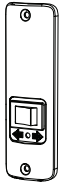
Upper Mounting Brace¹



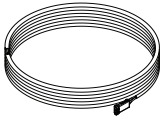
Wall Controller



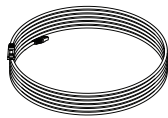
Fire Relay²



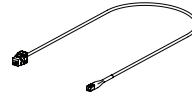
Cover Plate



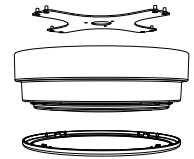
20-ft (6-m) Power Supply Cable



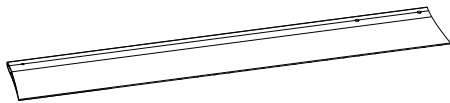
50-ft (15-m) CAT5 Cable³



5-ft (152-cm) Controller Input Cable



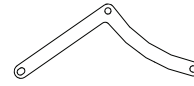
Lower Cover, Mounting Bracket, & Trim Ring



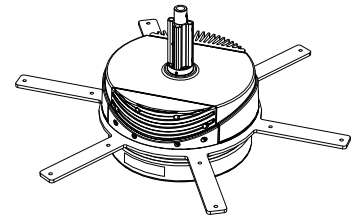
(6) Airfoils



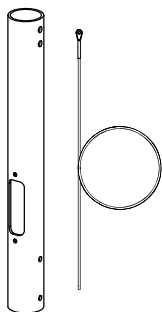
(6) Airfoil Tips



(6) Airfoil Retainers



Main Fan Unit



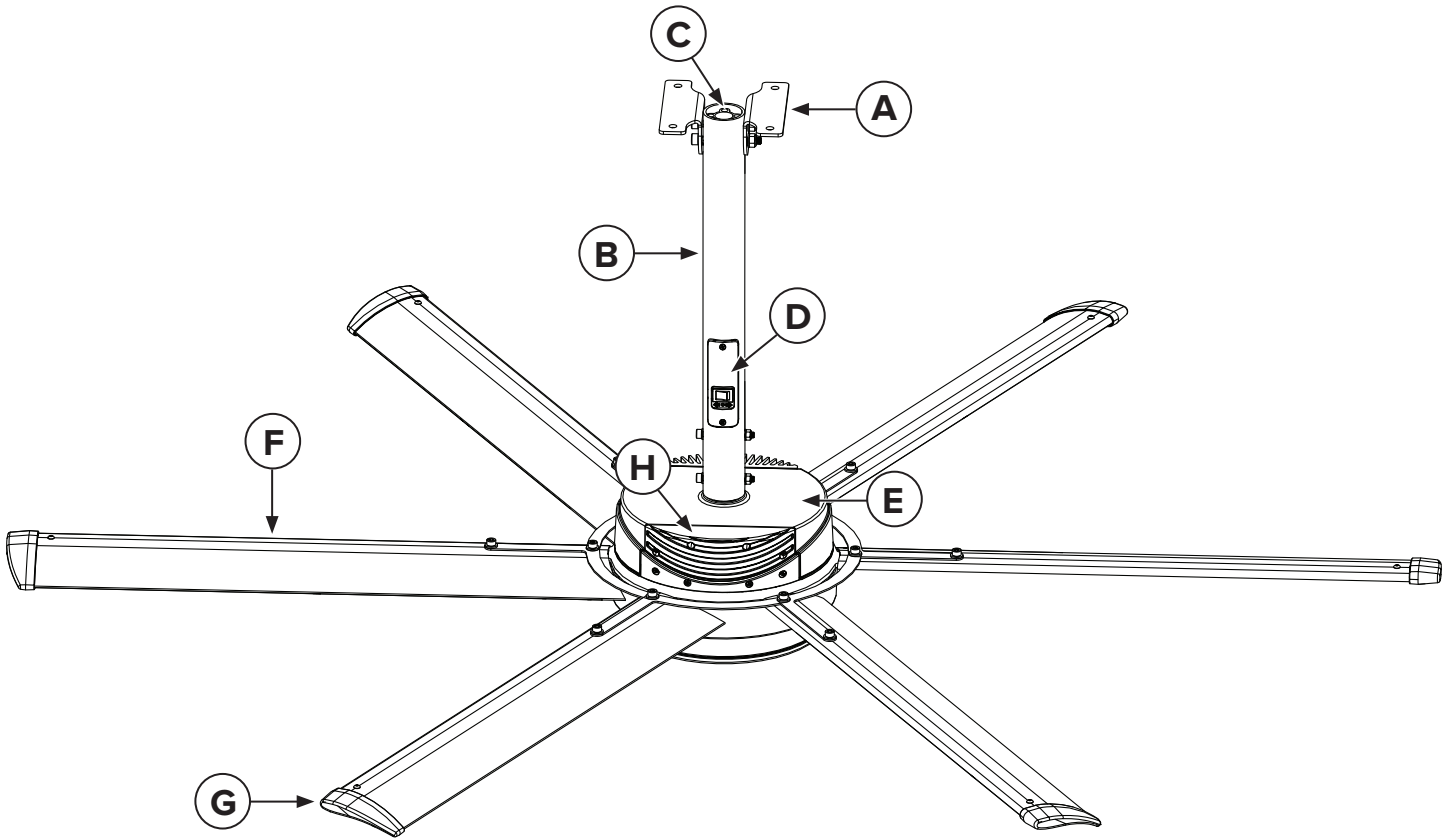
Extension Tube & Safety Cable⁴

1. The upper mounting brace strengthens the upper mounting system and must be installed inside the top of the extension tube.
2. The fire relay is provided for fans that will be installed in buildings with a fire sprinkler system. See the Wiring Diagrams & Electrical Guidelines section for fire relay wiring details.
3. The CAT5 cable connects the wall controller to the fan. One end plugs into the wall controller, and the other end plugs into the controller input cable. See the Wiring Diagrams & Electrical Guidelines section for wiring details. A longer CAT5 cable can be used if needed (installer-supplied).
4. Two safety clips and two carabiners are provided for safety cable installation in locations where the top of the mounting structure is inaccessible. Contact Customer Service if you need assistance installing the safety cable.

FAN DIAGRAM

- A. Upper Mount.** Secures the fan to the mounting structure.
- B. Extension Tube.** Extends the fan from the ceiling and provides a path for wiring.
- C. Upper Mounting Brace.** Strengthens the upper mounting system.
- D. Cover Plate.** Provides access to wiring and includes a fan status LED and a switch used to change the direction of fan rotation. The LED will flash an error code if there is a problem with the fan. See the Troubleshooting section for LED error codes. See the Operating the Fan section for information on changing the fan direction.
- E. Main Fan Unit.** Includes the motor, hub, and power wiring.
- F. Airfoil.** Provides air movement. The unique, patented design provides effective air movement.
- G. Airfoil Tip.** Ensures quiet fan operation.
- H. Electronics Cover.** Provides access to the fan electronics and fuses. See the Troubleshooting section for information on replacing fuses.

Note: The safety cable is not pictured below; however, it is an important part of the installation.



INSTALLATION

⚠ WARNING: The fan should not be installed unless the structure on which the fan is to be mounted is of sound construction, undamaged, and capable of supporting the loads of the fan and its method of mounting. A structural engineer should verify that the structure is adequate prior to fan installation. Verifying the stability of the mounting structure is the sole responsibility of the customer and/or end user, and Big Ass Fans hereby expressly disclaims any liability arising therefrom, or arising from the use of any materials or hardware other than those supplied by Big Ass Fans or otherwise specified in these installation instructions.

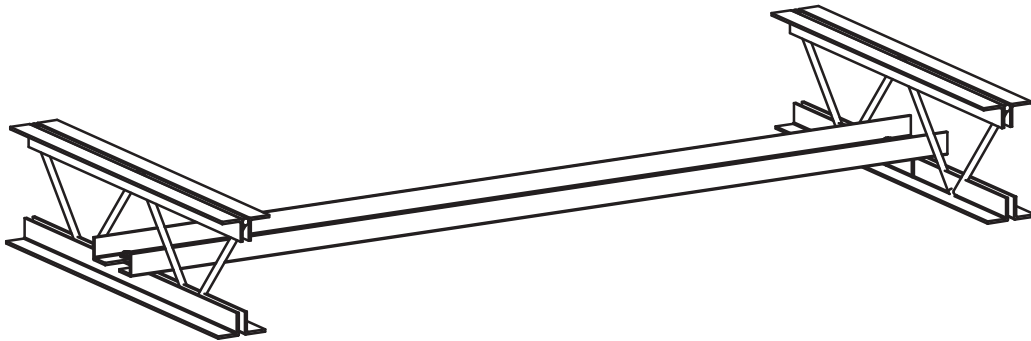
⚠ WARNING: Ensure there are no persons below the fan unit during installation!

Overview

The fan can only be hung from bar joists using angle irons. Consult a structural engineer for installation methods not covered in this manual. Follow the steps on the following pages to install your fan.

Angle Iron Requirements

- The minimum dimensions of the angle irons must be 2-1/2" × 2-1/2" × 1/4" (6.4 cm × 6.4 cm × 0.6 cm).
- Unsupported angle iron spans should not exceed 12 ft (3.7 m).
- Do not install the fan from a single purlin, truss, bar joist, or junction box.
- The angle irons must be fastened to the roof structure at each end.



1. Prepare the Bar Joists

- ⚠ **CAUTION:** Do not install the fan from a single purlin, truss, bar joist, or junction box.
- ⚠ **CAUTION:** Unsupported angle iron spans should not exceed 12 ft (3.7 m).
- ⚠ **CAUTION:** The angle irons must be fastened to the roof structure at each end.

Consult a structural engineer for installation methods not covered in this manual.

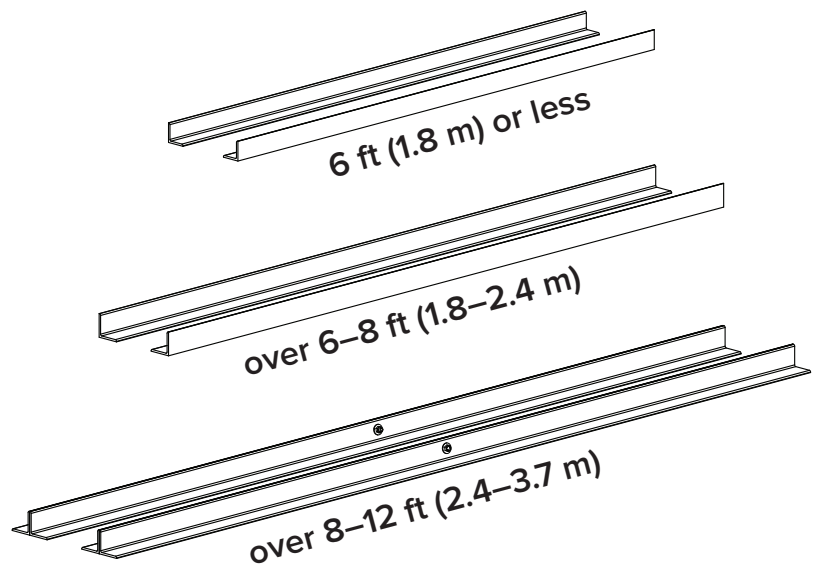
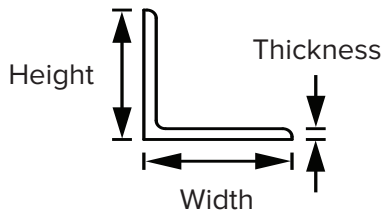
A. Select proper angle irons

Follow the table below when selecting angle irons for fan installation. *Note: Angle irons and angle iron hardware are not included with the fan.*

Angle Iron Span (between mounting points)	Minimum Angle Iron Dimensions (W x H x T)	Number of Angle Irons Needed
6 ft (1.8 m) or less	2.5" x 2.5" x 0.25" (6.4 cm x 6.4 cm x 0.6 cm)	2
6 ft to 8 ft (1.8 m to 2.4 m)	3" x 3" x 0.25" (7.6 cm x 7.6 cm x 0.6 cm)	2
8 ft to 12 ft (2.4 m to 3.7 m)	3" x 3" x 0.25" (7.6 cm x 7.6 cm x 0.6 cm)	4*

*Two pairs of angle irons needed.

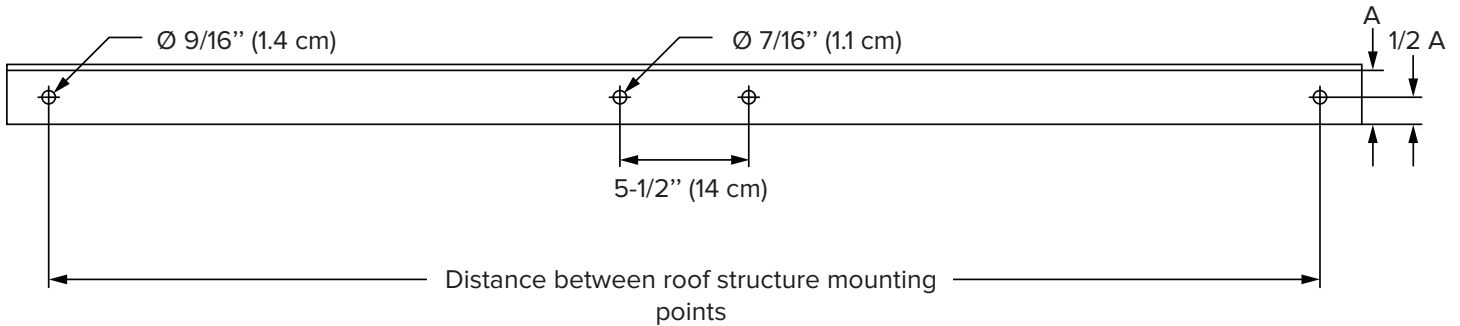
Angle Iron Side View
(see table for dimensions)



B. Pre-drill angle irons

Drill two $\text{Ø}7/16''$ (1.1 cm) holes exactly $5\text{-}1/2''$ (14 cm) apart in the centers of two angle irons.

Measure the distance between the mounting points of the roof structure that the angle irons will span. Measure the same distance on the angle irons and drill $\text{Ø}9/16''$ (1.4 cm) holes through each end of the angle irons. Drill holes in two angle irons if the span is 8 ft (2.4 m) or less. Drill holes in four angle irons if span is greater than 8 ft (2.4 m).



C. Fasten angle irons together (if span is longer than 8 ft [2.4 m])

If the angle iron span is 8 ft (2.4 m) or less, skip this step and proceed to step D.

If the angle iron span is longer than 8 ft (2.4 m), use double angle irons. Locate the center of the angle iron length. Drill a $\text{Ø}9/16''$ (1.4 cm) hole through the center of the vertical wall of the angle iron. Drill a total of four angle irons.

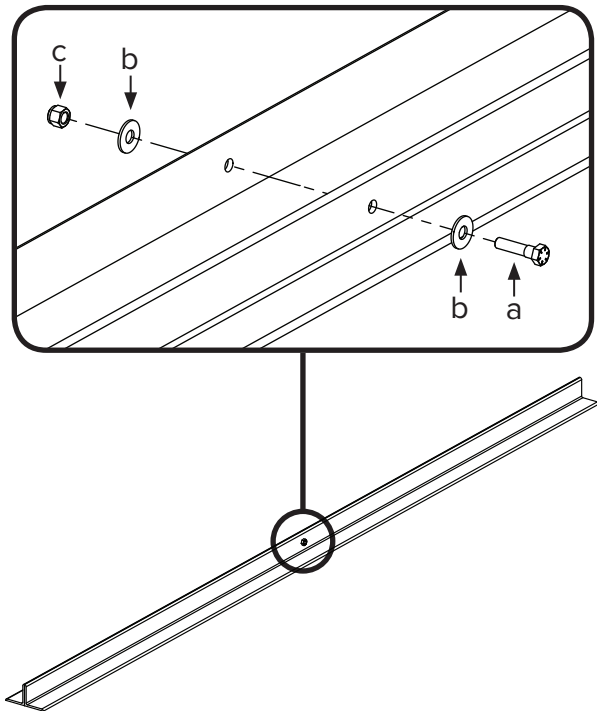
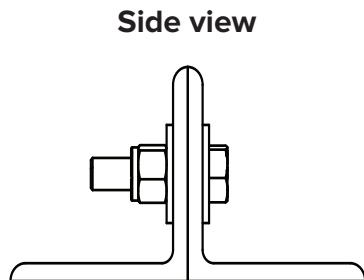
Place two drilled angle irons back to back. Fasten the angle irons together with Grade 8 hardware. Align the angle irons to each other and tighten the bolts to 25 ft·lb (33.9 N·m) using a torque wrench and $3/4''$ or 19 mm socket.

Repeat this step for the remaining two angle irons.

Proceed to step D.

Grade 8 Hardware (Installer-Supplied):

- a. (2) $1/2\text{-}13$ or M12 Bolt
- b. (4) $1/2''$ or M12 Washer
- c. (2) $1/2''$ or M12 Nut



D. Fasten angle irons to roof structure mounting points

Single Angle Iron

Fasten the angle irons to the roof structure mounting points at each end with Grade 8 hardware as shown. **Tighten the hardware so that it is snug, but do not torque until the fan has been mounted to the angle irons.** We recommend orienting the angle irons so that the horizontal legs are facing each other (or the vertical legs are on the outside).

Grade 8 Hardware (Installer-Supplied):

- (4) 1/2-13 or M12 Bolt
- (8) 1/2" or M12 Washer
- (4) 3" Square Washer (supplied; see diagram)
- (4) 1/2" or M12 Nut

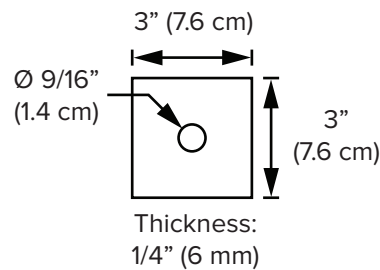
Double Angle Iron

Fasten the angle irons to the roof structure mounting points at each end with Grade 8 hardware as shown. The angle irons with fan mounting holes should be positioned on the inside, facing each other. **Tighten the hardware so that it is snug, but do not torque until the fan has been mounted to the angle irons.**

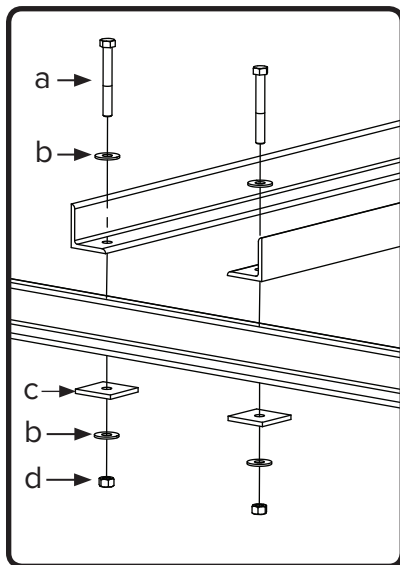
Grade 8 Hardware (Installer-Supplied):

- (8) 1/2-13 or M12 Bolt
- (16) 1/2" or M12 Washer
- (8) 3" Square Washer (supplied; see diagram)
- (8) 1/2" or M12 Nut

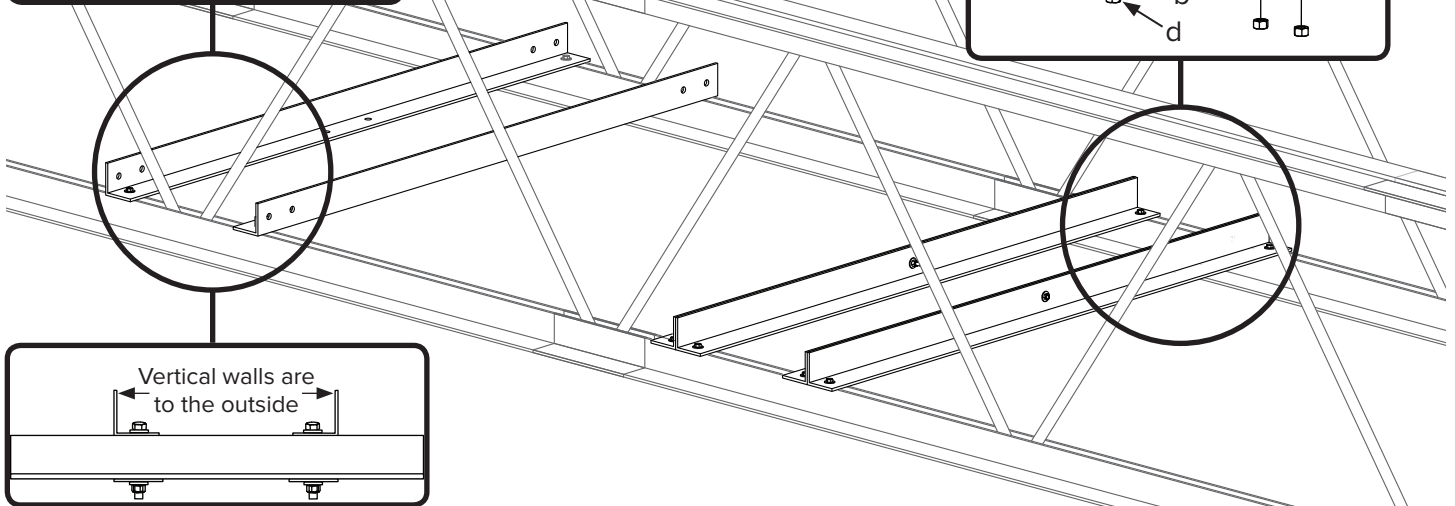
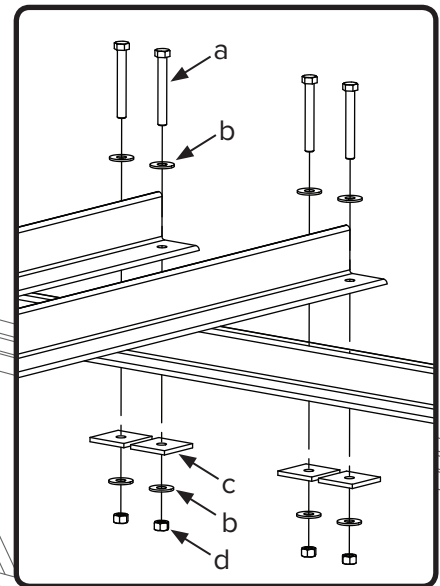
Square Washer



Single Angle Irons



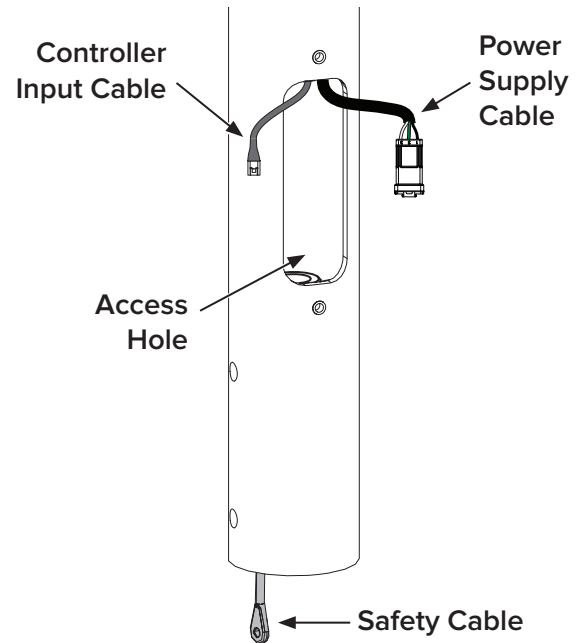
Double Angle Irons



2. Route Wiring and Safety Cable into Extension Tube

Note: To facilitate installation, Big Ass Fans recommends that the extension tube is horizontal with the rectangular access hole facing up during this step.

- Route the end of the controller input cable with the wiring harness on it (the end *without* the three loose wires) down into the top of the extension tube and out the rectangular access hole as shown.
- Route the end of the power supply cable with the wiring harness on it down into the top of the extension tube and out the rectangular access hole as shown.
- Route the end of the safety cable with the lug on it down into the top of the extension tube and out the bottom of the tube as shown.



3. Attach Upper Mount and Upper Mounting Brace

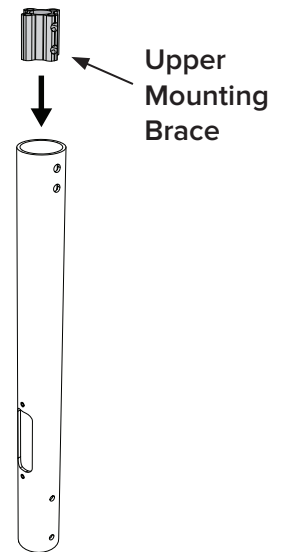
Note: To facilitate installation, Big Ass Fans recommends that the extension tube is horizontal with the rectangular access hole facing up during this step. Wiring and the safety cable are not shown in the illustrations.

Insert the upper mounting brace into the top of the extension tube and align the four mounting holes in the brace with the four mounting holes at the top of the tube as shown on the right. Position the power supply cable, controller input cable, and safety cable in any of the four spaces between the upper mounting brace and the extension tube as shown below. *Note: The cables can go in any of the four spaces. They do not all need to be in the same space.*

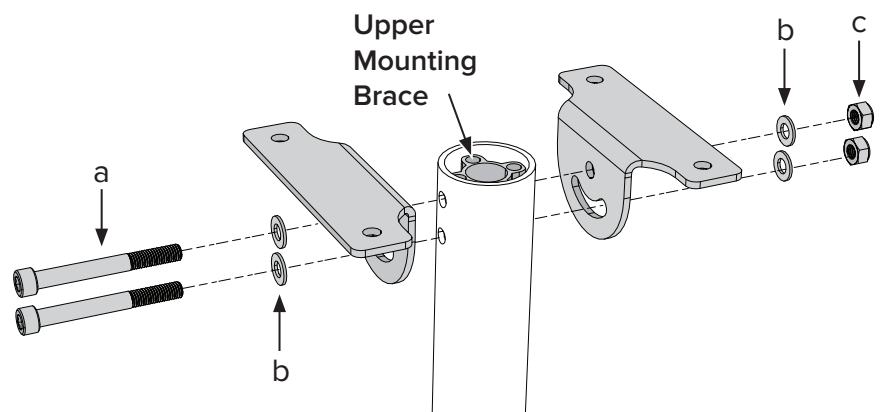
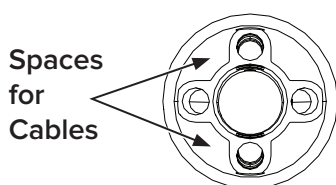
Attach the upper mounting brace (inside the extension tube) and the upper mount to the extension tube using the Extension Tube Hardware as shown below. **Tighten the hardware so that it is snug, but do not torque.**

Extension Tube Hardware:

- (2) M10 x 90 mm Socket Head Cap Screw
- (4) M10 Flat Washer
- (2) M10 Nylock Nut



View from Above

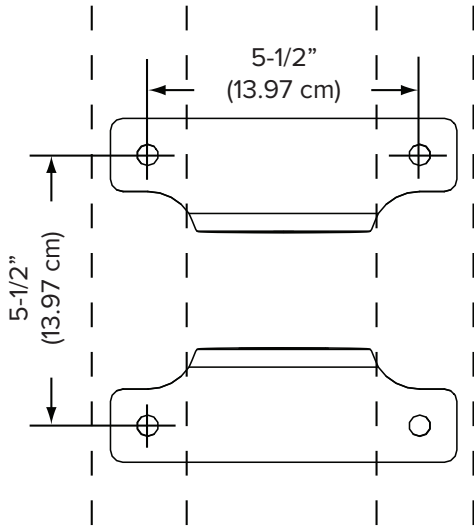


4. Attach Upper Mount to Angle Irons

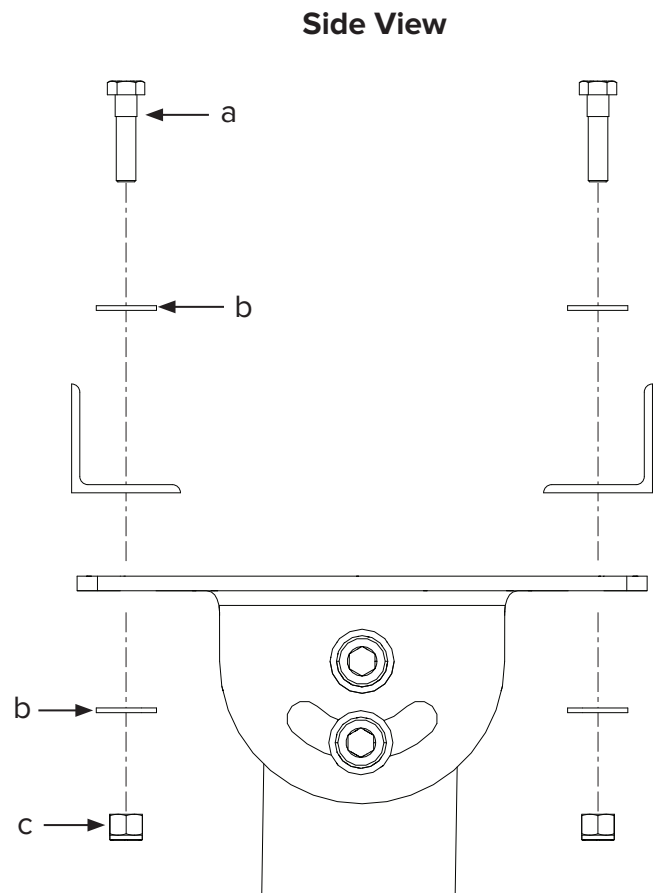
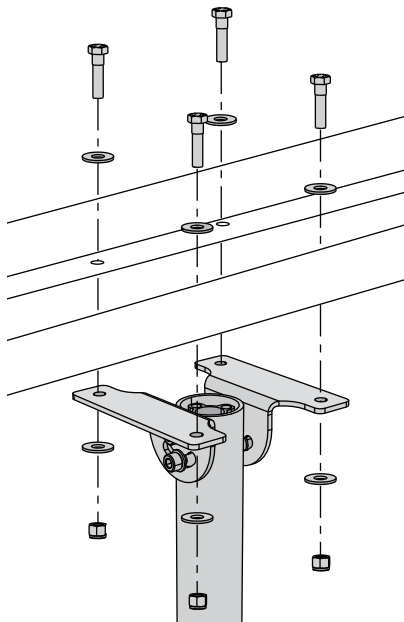
Secure the upper mount (with the extension tube and upper mounting brace attached) directly to the angle irons using the Mounting Hardware as shown. Consult the diagrams below for distances between the angle irons. Tighten the hardware so that it is snug, but do not torque.

Mounting Hardware:

- (4) M10 x 40 mm Hex Head Cap Screw
- (8) M10 Flat Washer
- (4) M10 Nylock Nut



Note: Dashed lines represent angle irons.

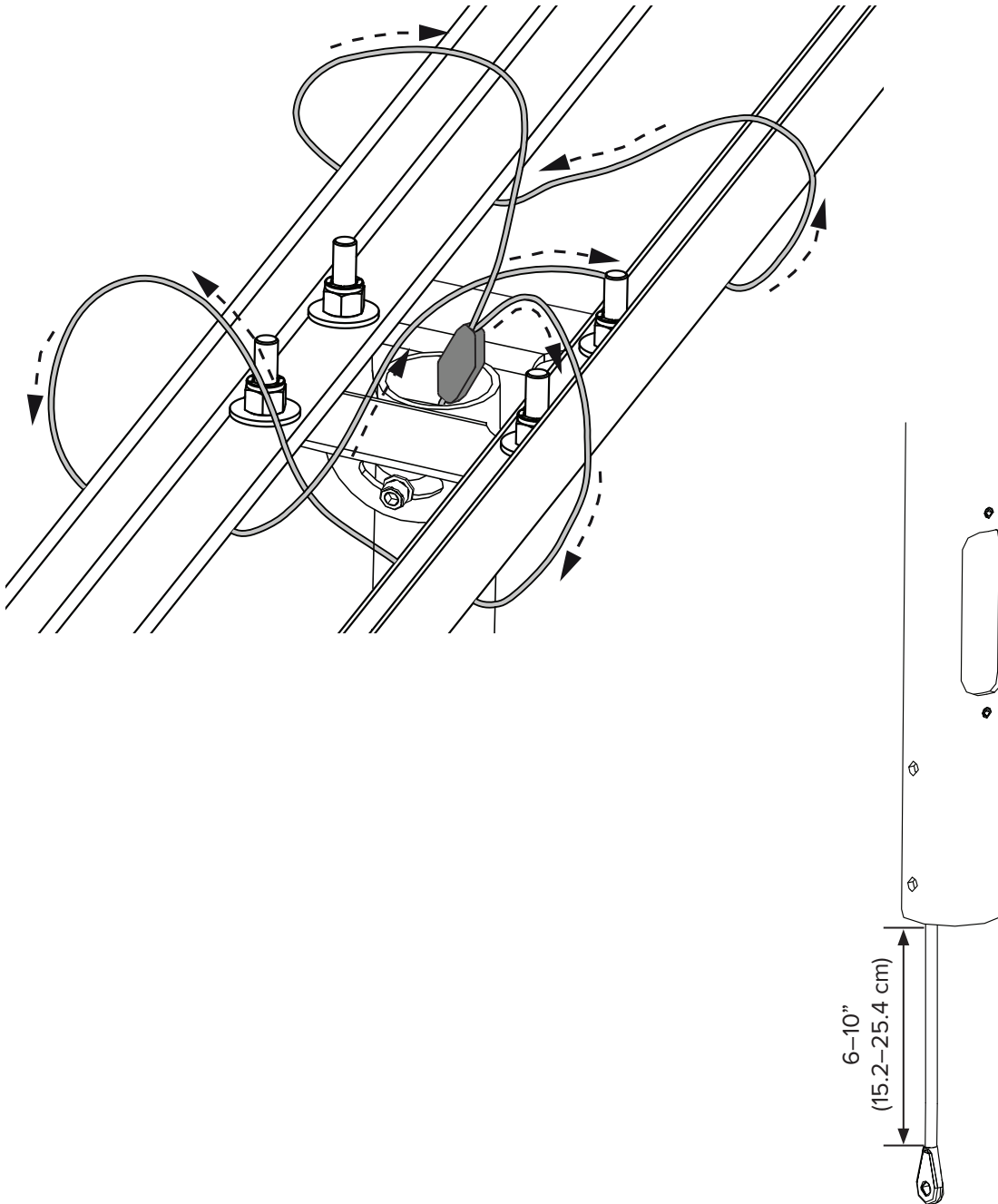


5. Secure the Safety Cable

ATTENTION

The safety cable is a crucial part of the fan and must be installed correctly. If you have any questions, call Customer Service for assistance.

- A. Route the free end of the safety cable into one of the two holes in the Gripple®, and then pull the cable through the Gripple until the Gripple rests at the top of the extension tube.
- B. Wrap the safety cable around the angle irons, leaving 6–10 in. (15.2–25.4 cm) of slack.
- C. Route the loose end of the safety cable through the remaining hole in the Gripple and pull to tighten.



6. Secure Safety Cable to Main Fan Unit

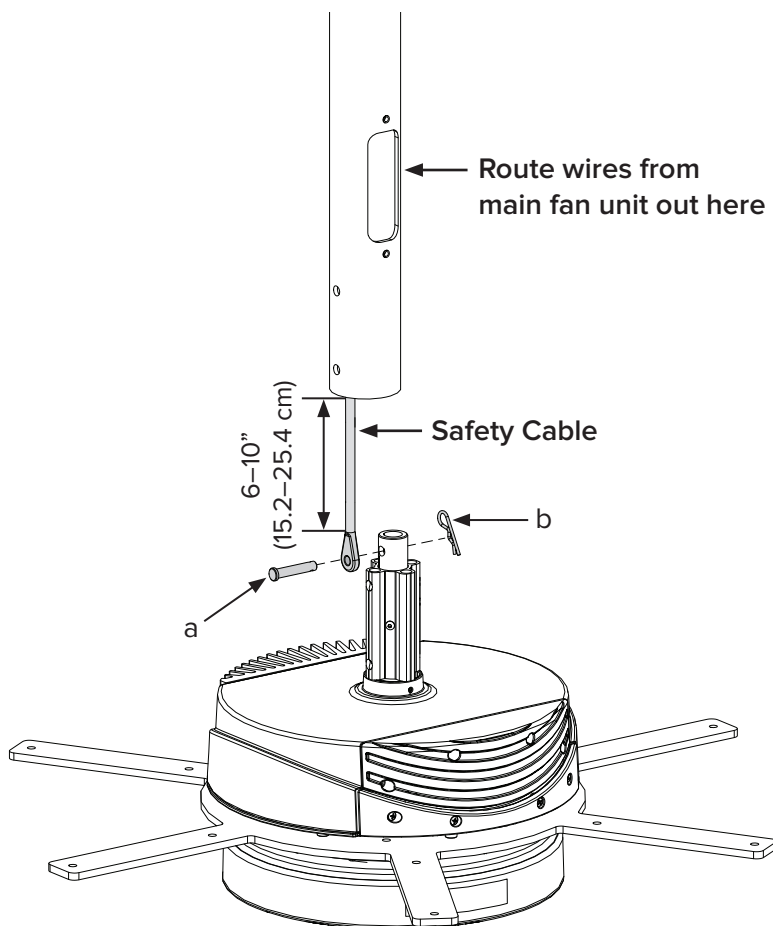
- ⚠ **CAUTION:** Do not remove the main fan unit from its protective packaging or place it on a flat surface prior to hanging it.
- ⚠ **CAUTION:** To prevent damage, avoid contact with the stator wires located on the bottom of the main fan unit.
- ⚠ **CAUTION:** The main fan unit is heavy. Use caution when raising it.

Raise the main fan unit directly from its packaging to the extension tube. Route the three sets of wires from the main fan unit up into the bottom of the extension tube and out the rectangular access hole near the bottom of the tube. Ensure the wires are positioned inside the grooves on the motor shaft. *Note: Wiring not shown in the illustrations below.*

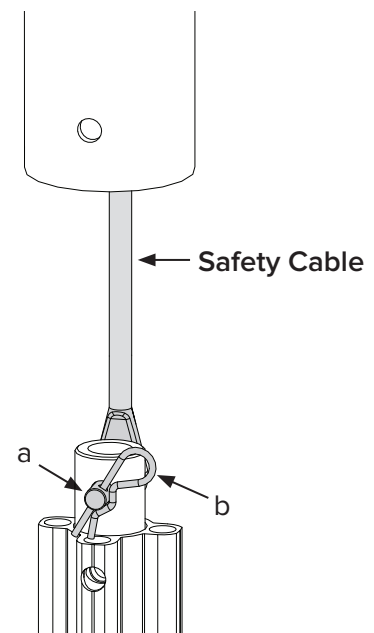
While supporting the main fan unit, secure the safety cable to the motor shaft using the Safety Cable Hardware as shown. Insert the clevis pin through the safety cable lug and motor shaft, and then insert the straight leg of the cotter pin into the small hole on the clevis pin.

Safety Cable Hardware:

- a. 5/16" Clevis Pin
- b. Cotter Pin



Cotter Pin Inserted into Clevis Pin



7. Attach Main Fan Unit to Extension Tube

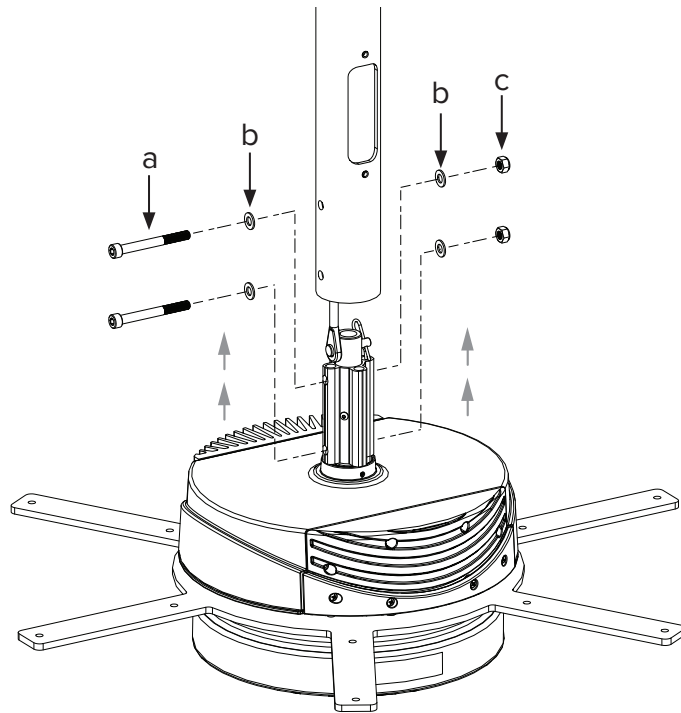
- ⚠ **CAUTION:** The main fan unit is heavy. Use caution when raising it.
- ⚠ **CAUTION:** Be careful not to pinch the fan wiring between the extension tube and main fan unit during installation.
- ⚠ **CAUTION:** Do not discard the main fan unit packaging and foam. It should be used if the fan is ever moved or relocated.

Attach the main fan unit to the extension tube using the Main Fan Unit Hardware as shown. *Note: Wiring not shown in the illustration below.*

Tighten the hardware to 25 ft·lb (33.9 N·m) using a 6 mm allen wrench and a torque wrench with a 13 mm socket.

Main Fan Unit Hardware:

- a. (2) M8 x 75 mm Socket Head Cap Screw
- b. (4) M8 Flat Washer
- c. (2) M8 Nylock Nut

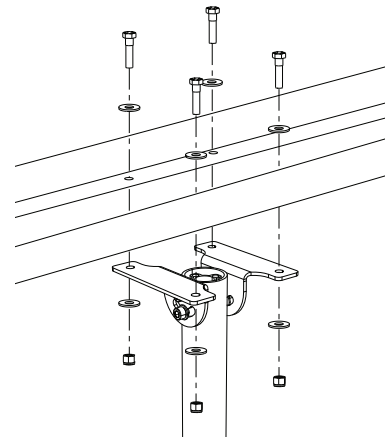


8. Tighten Hardware

After attaching the main fan unit to the extension tube, tighten the following hardware to the specified torque.

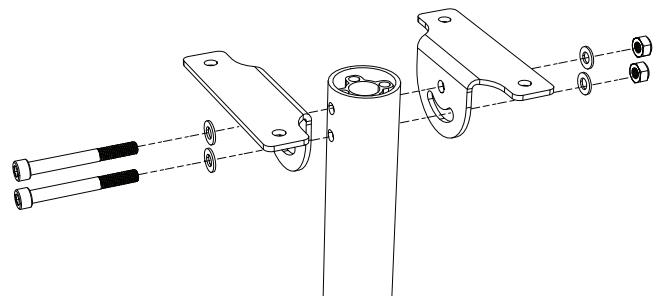
Tighten the Mounting Hardware to 25 ft·lb (33.9 N·m) using a 17 mm wrench and a torque wrench with a 17 mm socket.

Mounting Hardware



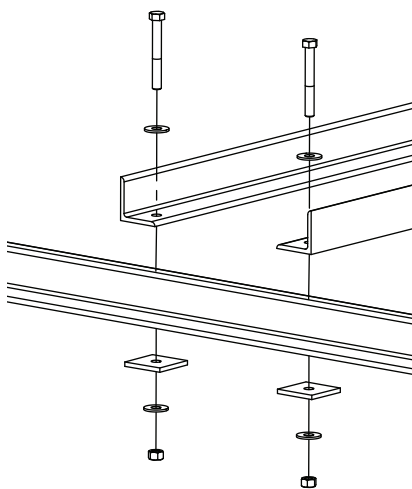
Allow the extension tube to hang freely and balance itself, and then tighten the Extension Tube Hardware to 25 ft·lb (33.9 N·m) using an 8 mm allen wrench and a torque wrench with a 17 mm socket.

Extension Tube Hardware

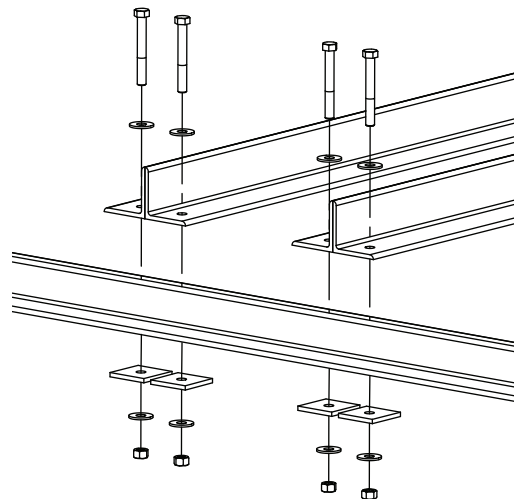


Tighten all hardware securing the angle irons to the roof structure to 40 ft·lb (54.2 N·m) using a 3/4" or 19 mm wrench and a torque wrench with a 3/4" or 19 mm socket.

Single Angle Irons

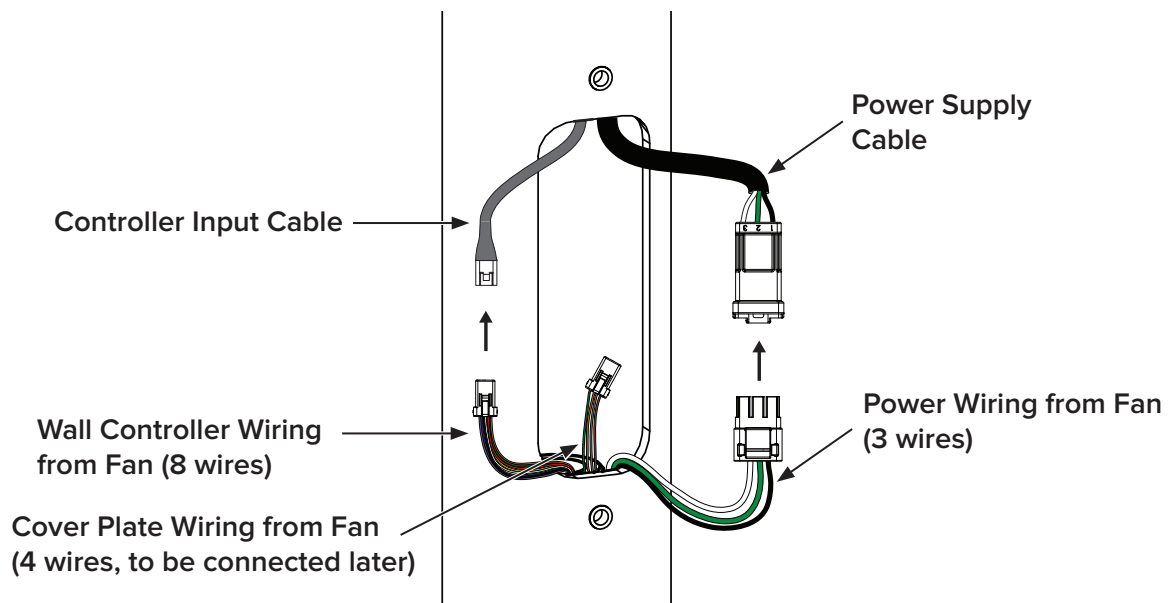


Double Angle Irons



9. Connect Power and Wall Controller Wiring

Plug the male wiring harnesses on the fan wiring into the female wiring harnesses on the power supply cable and the controller input cable as shown. Carefully tuck the wiring into the extension tube.



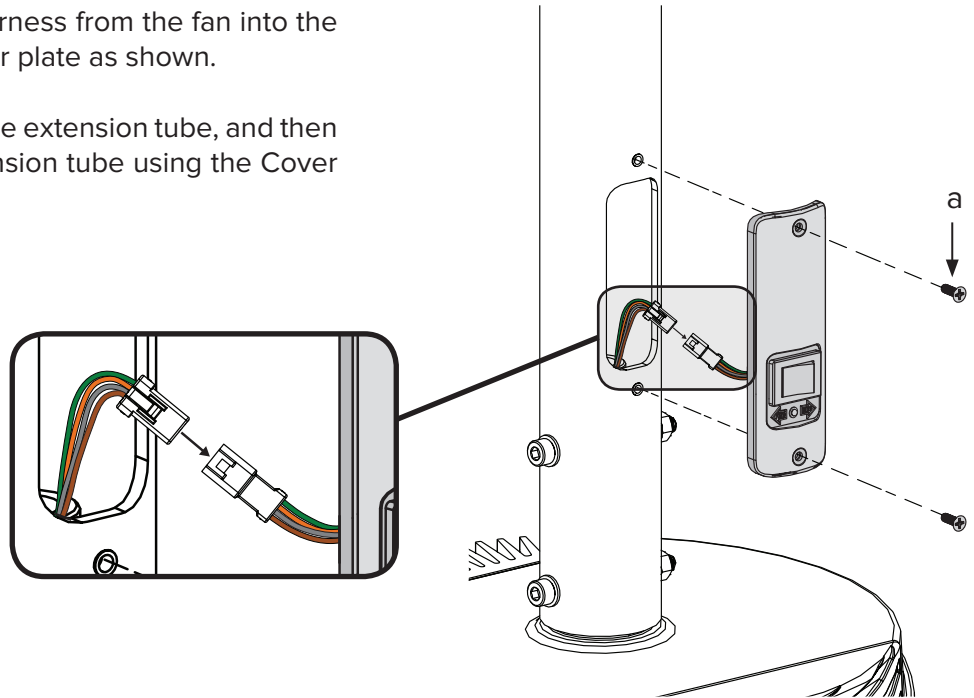
10. Install the Cover Plate

Plug the remaining male wiring harness from the fan into the female wiring harness on the cover plate as shown.

Ensure all wiring is tucked inside the extension tube, and then attach the cover plate to the extension tube using the Cover Plate Hardware as shown.

Cover Plate Hardware:

- a. (2) 8-32 x 1/2" Flat Head Screw



11. Install the Lower Cover Mounting Bracket

ATTENTION

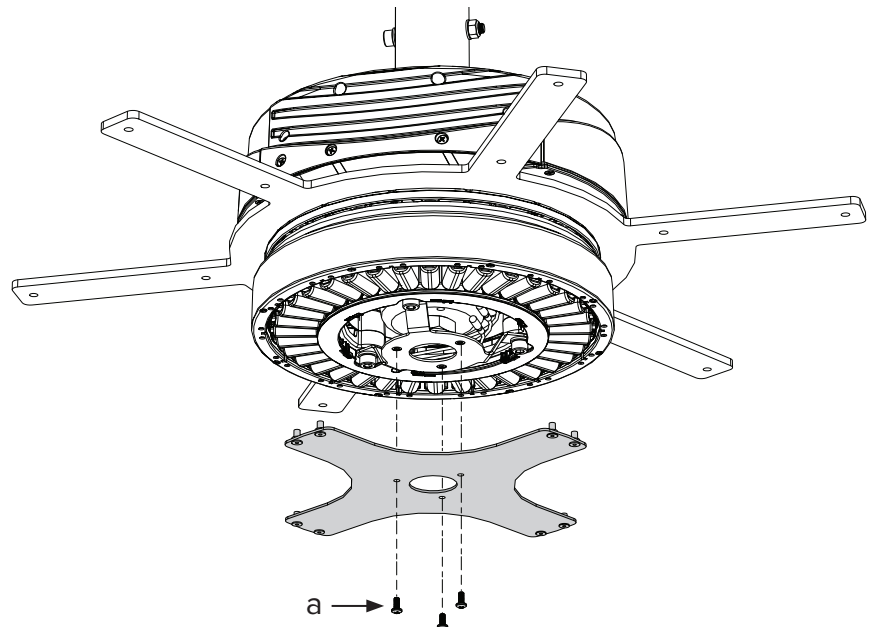
Remove the protective plastic cover from the bottom of the main fan unit and ensure that the three stator wires on the bottom of the main fan unit are tucked in securely before installing the mounting bracket. Be careful not to damage the stator wires while installing the mounting bracket and lower cover.

⚠ WARNING: Disconnect power to the fan before installing the lower cover mounting bracket and lower cover.

Attach the lower cover mounting bracket to the bracket on the bottom of the main fan unit using the Lower Cover Hardware as shown. Loosely attach all three screws, and then tighten them.

Lower Cover Hardware:

- a. (3) 8-32 x 3/8" Pan Head Screw



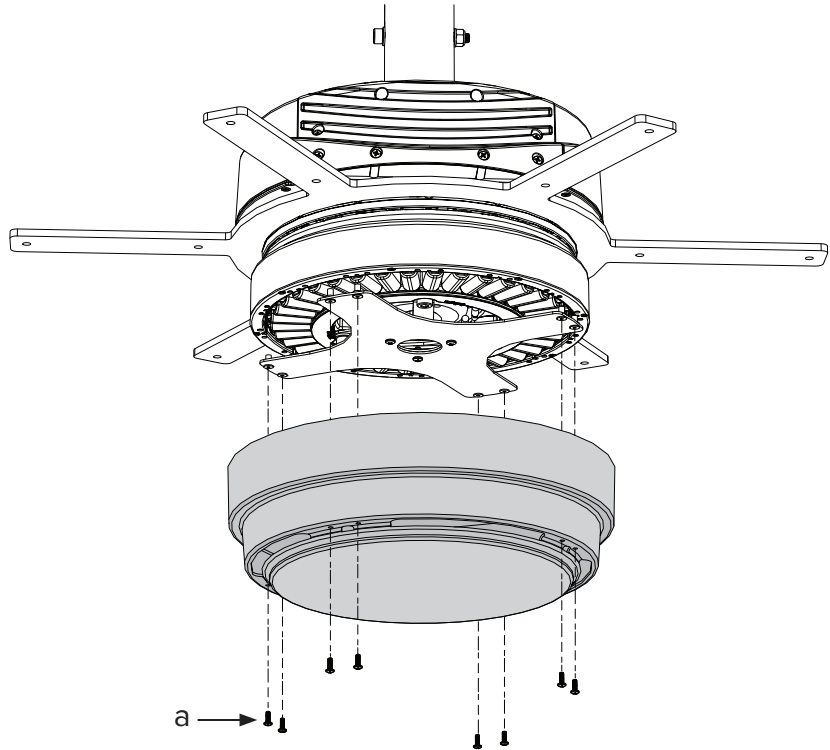
12. Install the Lower Cover

⚠ WARNING: Disconnect power to the fan before installing the lower cover mounting bracket and lower cover.

Attach the lower cover to the lower cover mounting bracket using the Lower Cover Hardware as shown. Loosely attach all eight screws, and then tighten them.

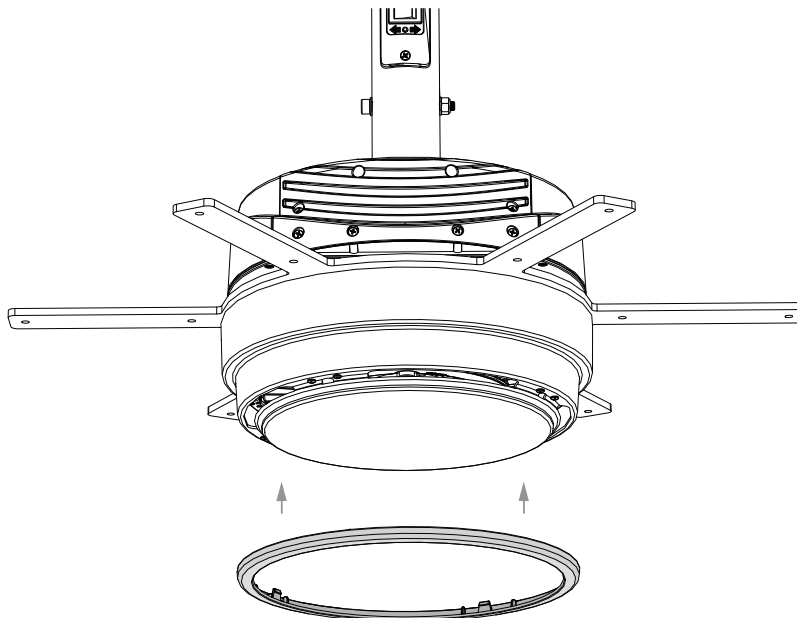
Lower Cover Hardware:

- a. (8) 6-32 x 3/8" Pan Head Screw



13. Install the Trim Ring

Snap the trim ring onto the lower cover as shown.



14. Mount the Wall Controller

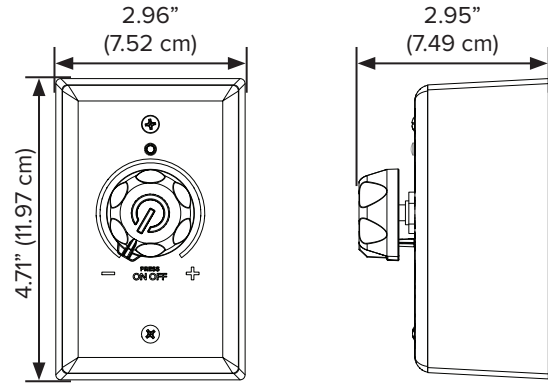
⚠ WARNING: To reduce the risk of electric shock, wiring should be performed by a qualified electrician! Incorrect assembly can cause electric shock or damage the motor and the controller! Hazard of electrical shock!

⚠ WARNING: The installation of a Big Ass Fan must be in accordance with the requirements specified in this installation manual and with any additional requirements set forth by the National Electric Code (NEC), ANSI/NFPA 70-2014, and all local codes. Code compliance is ultimately YOUR responsibility!

A. Select a Mounting Location

Adhere to the following guidelines when selecting the wall controller location:

- Mount the controller so that the fan it controls is visible from the controller location.
- Install the controller on a flat surface that is readily accessible, free from vibration, and where there is adequate distance from foreign objects or moving equipment.

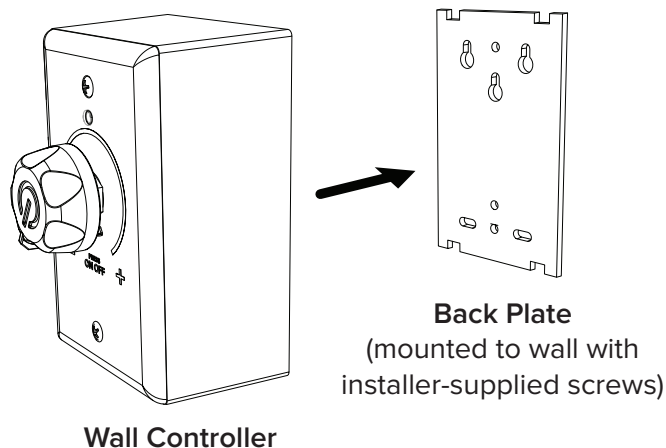


B. Mount the Wall Controller

The wall controller can be surface-mounted to a wall or mounted to an installer-supplied junction box.

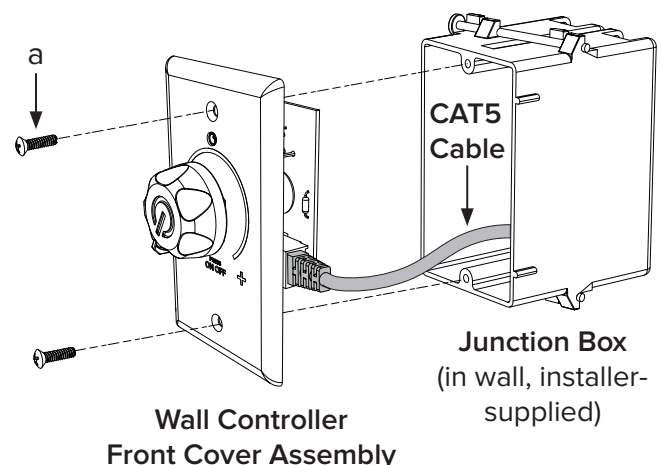
Mounting to a Wall

1. Attach the back plate of the wall controller to the wall using suitable installer-supplied mounting screws. Use any of the available mounting holes on the back plate.
2. Route the provided CAT5 cable through any of the available knockouts on the wall controller and connect it to the CAT5 connector inside the controller. *Note: Knockouts and the CAT5 cable are not shown in the illustration below.*
3. Snap the controller onto the back plate as shown.



Mounting to a Junction Box

1. Remove the wall controller's front cover assembly by unscrewing the two screws on the front cover. Set the screws aside in a safe location.
2. Route the provided CAT5 cable into the junction box and connect it to the CAT5 connector on the front cover assembly.
3. Mount the front cover assembly to the junction box using the two 6-32 x 1/2" Oval Head Screws (a) as shown.



15. Wire the Fan and Wall Controller

⚠ WARNING: To reduce the risk of electric shock, wiring should be performed by a qualified electrician! Incorrect assembly can cause electric shock or damage the motor and the controller!

Make sure power wiring is routed to the installation site. Minimum supply circuit size is 10 A @ 110–125 V, 1 Φ . See *Wiring Diagrams & Electrical Guidelines* in the following section for instructions and guidelines on wiring your fan.

16. Install the Airfoils

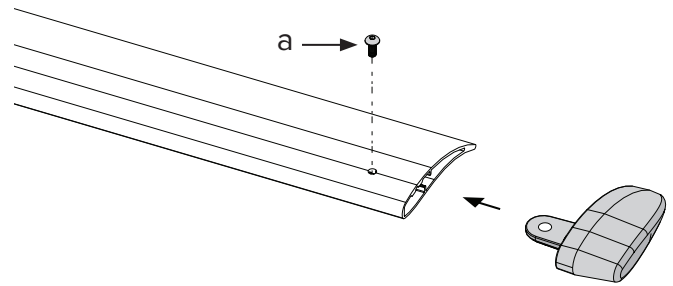
⚠ WARNING: Disconnect power to the fan before installing the airfoils.

A. Attach airfoil tips to airfoils

Attach an airfoil tip to each airfoil using the Airfoil Tip Hardware as shown. Securely tighten the screws using a 3 mm allen wrench. Attach airfoil tips to all six airfoils before attaching the airfoils to the fan.

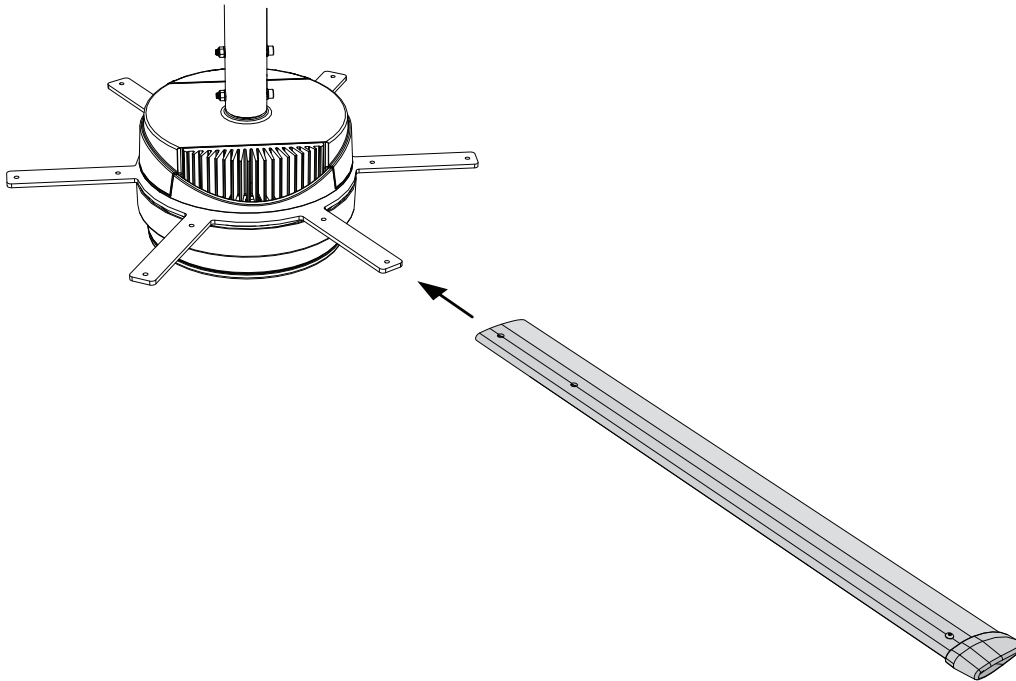
Airfoil Tip Hardware:

- a. (6) M5 x 12 mm Button Head Screw



B. Position airfoils

Slide the airfoils onto the tabs of the fan hub as shown.



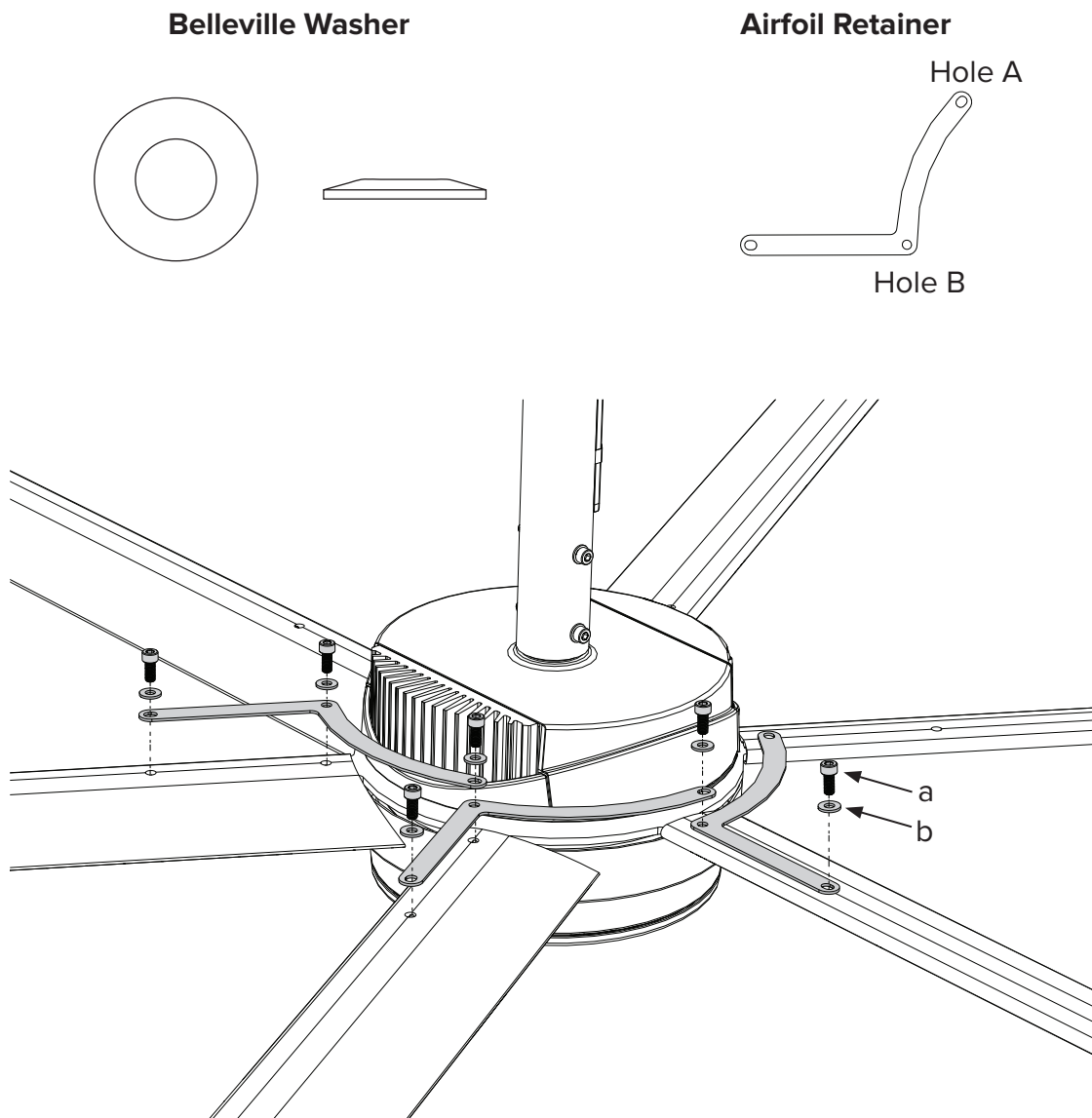
C. Attach airfoils to main fan unit

Attach the six airfoil retainers using the Airfoil Hardware. Moving clockwise around the fan hub, position the airfoil retainers end over end as shown. Hole A of the retainer should be positioned over top of Hole B. Do not tighten the bolts until all airfoil retainers have been attached!

Tighten the bolts along the outer perimeter to 29 ft·lb (39.3 N·m) using a torque wrench with a 6 mm allen head socket. After the outer perimeter bolts are torqued, tighten the bolts along the inner perimeter to 29 ft·lb (39.3 N·m).

Airfoil Hardware:

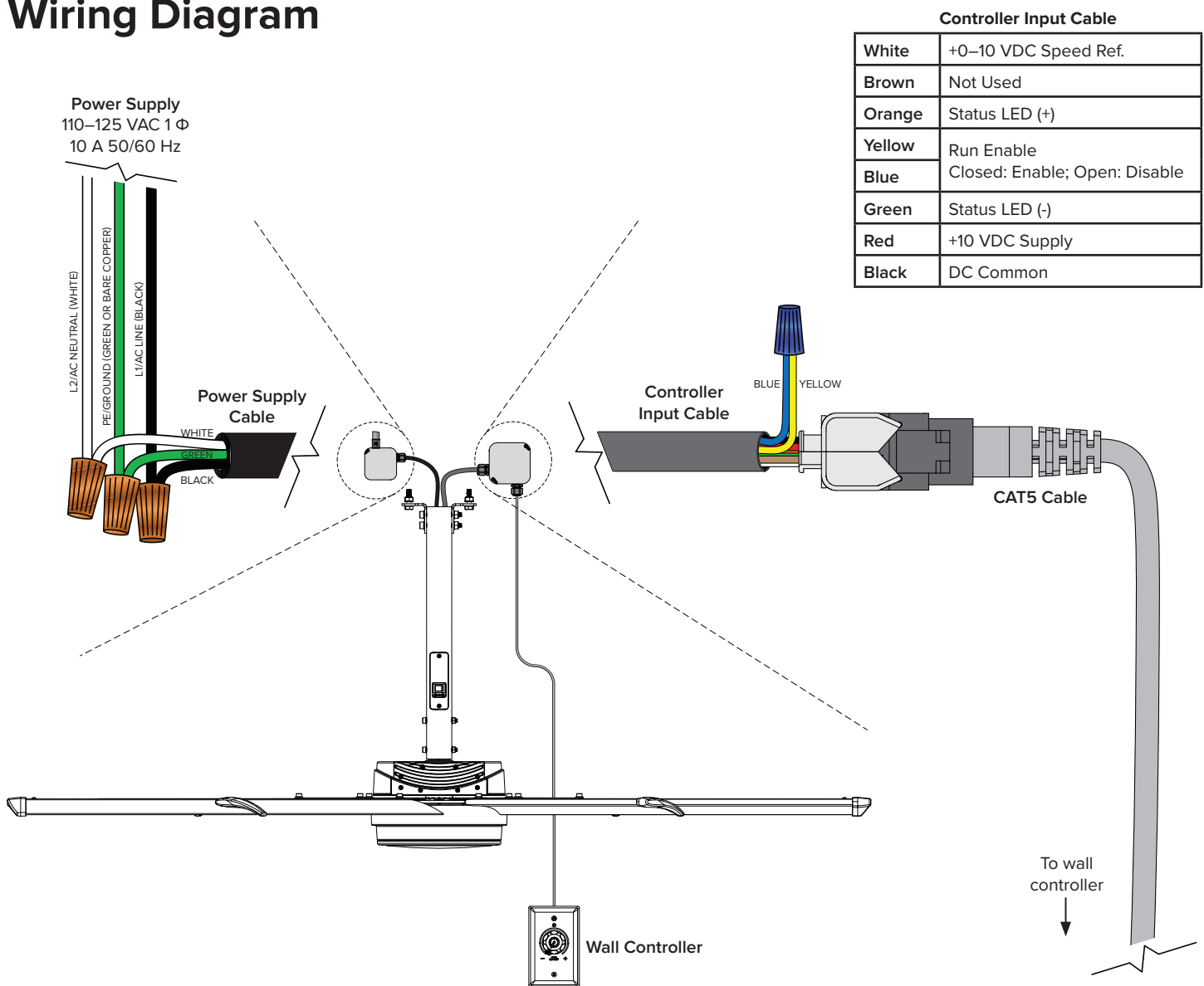
- a. (12) M8 x 18 mm Socket Head Cap Screw
- b. (12) 8 mm Belleville Washer



WIRING DIAGRAMS & ELECTRICAL GUIDELINES

- ⚠ **WARNING:** To reduce the risk of electric shock, wiring should be performed by a qualified electrician! Incorrect assembly can cause electric shock or damage the motor and the controller! Hazard of electrical shock!
- ⚠ **WARNING:** The installation of a Big Ass Fan must be in accordance with the requirements specified in this installation manual and with any additional requirements set forth by the National Electric Code (NEC), ANSI/NFPA 70-2014, and all local codes. Code compliance is ultimately YOUR responsibility!
- ⚠ **CAUTION:** The product warranty will not cover damage or failure caused by improper installation.
- ⚠ **WARNING:** Exercise caution and common sense when powering the fan. Do not connect the fan to a damaged or hazardous power source. Do not attempt to resolve electrical malfunctions or failures on your own. Contact Big Ass Fans if you have any questions regarding the electrical installation of this fan.

Wiring Diagram



Wiring: Fire Signal Relay

⚠ WARNING: Improper installation can cause electric shock or damage to the motor and controller. A qualified electrician should perform the installation.

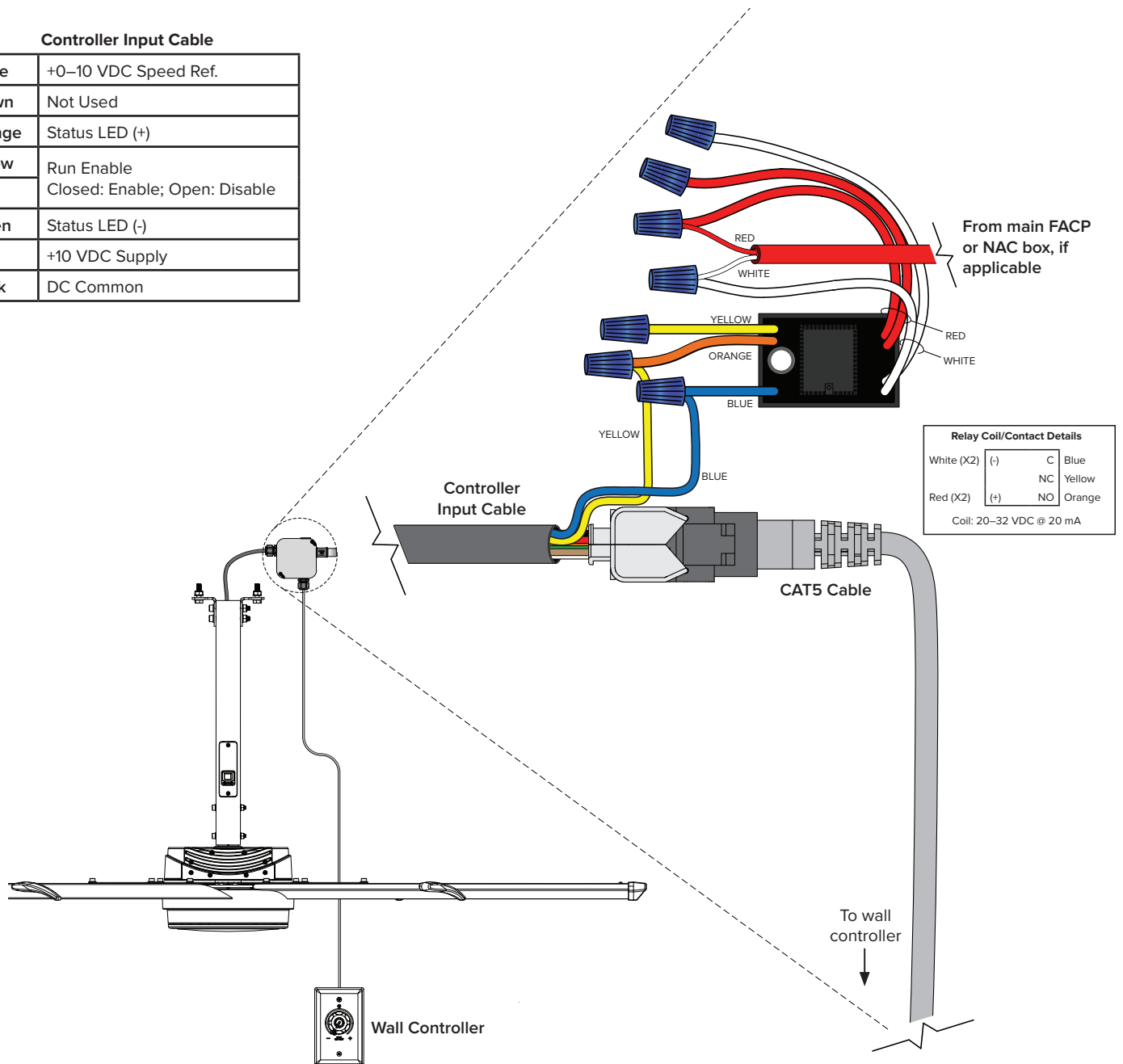
If installing the fan in the United States, the fan must be installed per the following National Fire Protection Association (NFPA) guidelines:

- The fan must be centered approximately between four adjacent sprinklers.
- The vertical distance from the fan to the sprinkler deflector must be at least 3 ft (91.4 cm).
- The fan must be interlocked to shut down immediately upon receiving a waterflow signal from the alarm system.

The fire relay is provided for fans that will be installed in buildings that have a fire sprinkler system. The fire relay integrates the fan with the sprinkler system and shuts down the fan upon receiving an alarm signal from the system. *Note: In the configuration shown, power must be applied to the fire relay to enable fan operation.*

Controller Input Cable

White	+0–10 VDC Speed Ref.
Brown	Not Used
Orange	Status LED (+)
Yellow	Run Enable
Blue	Closed: Enable; Open: Disable
Green	Status LED (-)
Red	+10 VDC Supply
Black	DC Common



OPERATING THE FAN

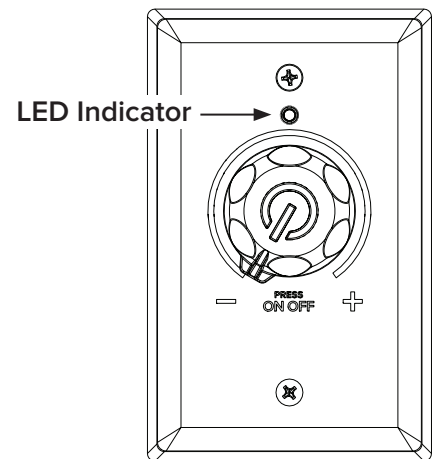
To start the fan, press the control knob on the wall controller. *Note: The LED indicator at the top of the controller is lit when power is applied. The LED indicator will flash an error code if there is a problem with the fan. See the Troubleshooting section for LED error codes.*

To stop the fan, press the control knob.

To increase fan speed, turn the control knob clockwise toward **+**.

To decrease fan speed, turn the control knob counterclockwise toward **-**.

Note: The fan may take 30–60 seconds to start rotating after it is turned on. It is normal to see an initial slight jerking forward and backward upon startup as the fan positions itself relative to the motor stator.

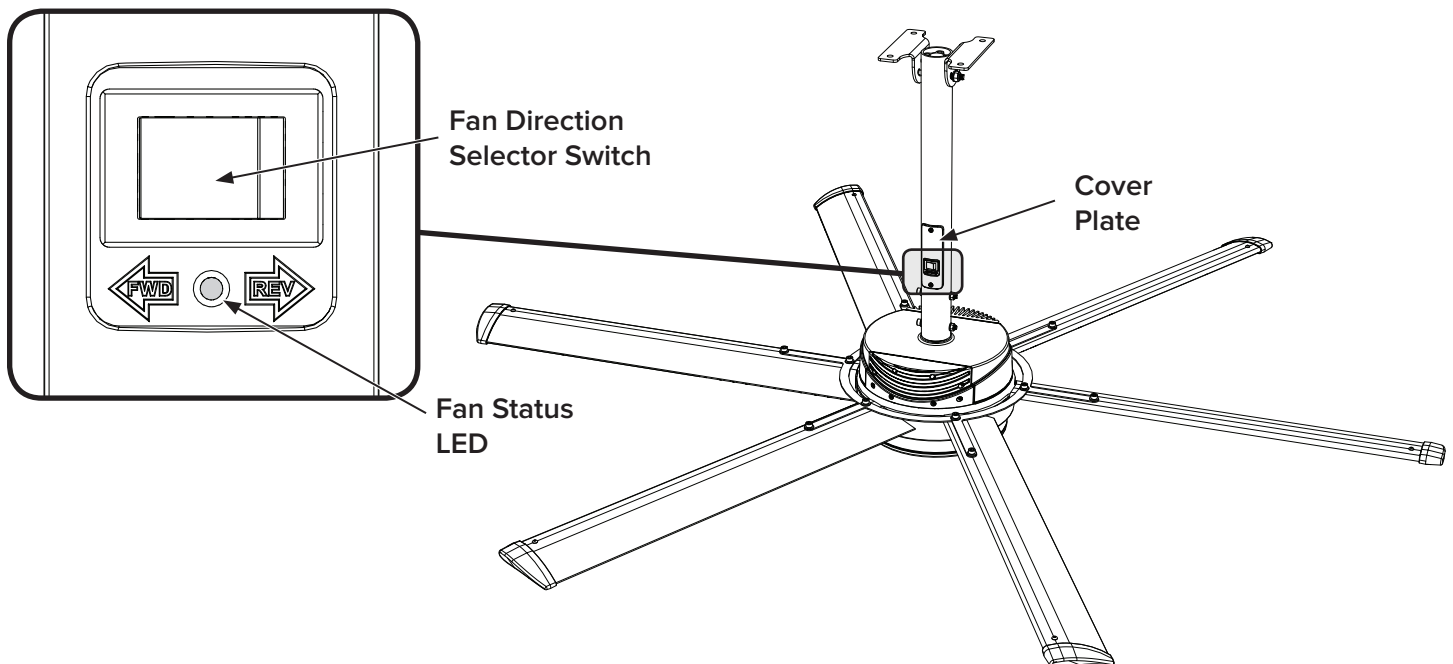


Changing the Fan Direction

ATTENTION

Big Ass Fans recommends operating the fan in the forward (FWD) direction. The fan should be rotating counterclockwise when viewed from below.

To reverse the direction of the fan, remove power from the fan. Select the direction of the fan using the fan direction selector switch located on the fan's cover plate. Reapply power to the fan. For fan status LED definitions, see the Troubleshooting section.



Moving at a low speed means less energy used for operation, translating into more energy savings year-round. Follow the procedures below to ensure the most efficient operation of your Big Ass Fan.

To ensure proper fan rotation:

1. Turn on the fan.
2. Verify that the fan is rotating in the counterclockwise direction (when viewed from below).
3. If the fan is not rotating counterclockwise, reverse the fan direction. See the previous page for instructions on changing the direction of rotation.

Heating season

In spaces with higher ceilings, Big Ass Fan 2025, Big Ass Fan 3025, and Big Ass Fan 3600 fans return heat from the ceiling to floor level more efficiently than smaller ceiling fans. For maximum energy savings, the fan should be operated continuously during the heating season and should not be operated in reverse (clockwise). Big Ass Fans are designed to operate efficiently at very low speeds, so turning the fan very slowly in the forward direction (counterclockwise) will provide enough air movement to circulate the hot air at the ceiling down to the floor without causing a draft.

Stand directly below the tips of the airfoils with hand outstretched. If you feel a draft, slightly decrease the fan speed. Repeat until the draft is no longer noticeable.

Cooling season

The cooling effect created by the breeze from Big Ass Fan 2025, Big Ass Fan 3025, and Big Ass Fan 3600 fans keeps occupants comfortable with the thermostat at a higher setting. During the cooling season, every degree higher that the thermostat is reset reduces the energy consumed by the air conditioner by 1.5–2%. To minimize energy usage during the cooling season, operate the fan only when building occupants are present.

Increase the speed of the fan until desired air speed or maximum fan speed is reached. In air conditioned facilities, increase the thermostat setting by 2–7°F to reduce energy consumption and save energy.

PREVENTIVE MAINTENANCE

⚠ WARNING: Before servicing or cleaning unit, switch power off at service panel and lock the service disconnecting means to prevent power from being switched on accidentally. When the service disconnecting means cannot be locked, securely fasten a prominent warning device, such as a tag, to the service panel.

⚠ WARNING: When service or replacement of a component in the fan requires the removal or disconnection of a safety device, the safety device must be reinstalled or remounted as previously installed.

Please take a few moments each year to perform the following preventive maintenance inspection on your fan to ensure its safe and efficient operation. Before contacting Customer Service, try resolving the issue using the procedures in the Troubleshooting section. If you have any questions, contact Customer Service.

Annual preventive maintenance

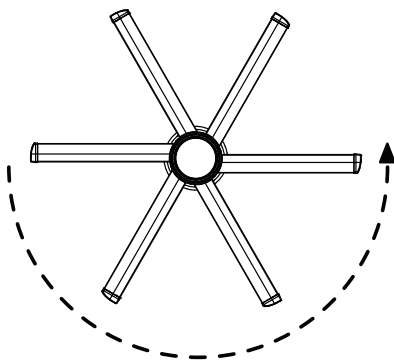
Perform the following maintenance procedures each year using the Annual Maintenance Checklist.

1. Ensure all upper mounting bolts are present and torqued to 25 ft-lb (33.9 N·m).
2. Ensure airfoils are secured to one another by airfoil retainers.
3. Ensure all 12 bolts securing the airfoils to the fan are present and torqued to 29 ft-lb (39.3 N·m).
4. Ensure the two bolts securing the extension tube to the main fan unit are present and torqued to 25 ft-lb (33.9 N·m).
5. Ensure all airfoil tip hardware is secure.

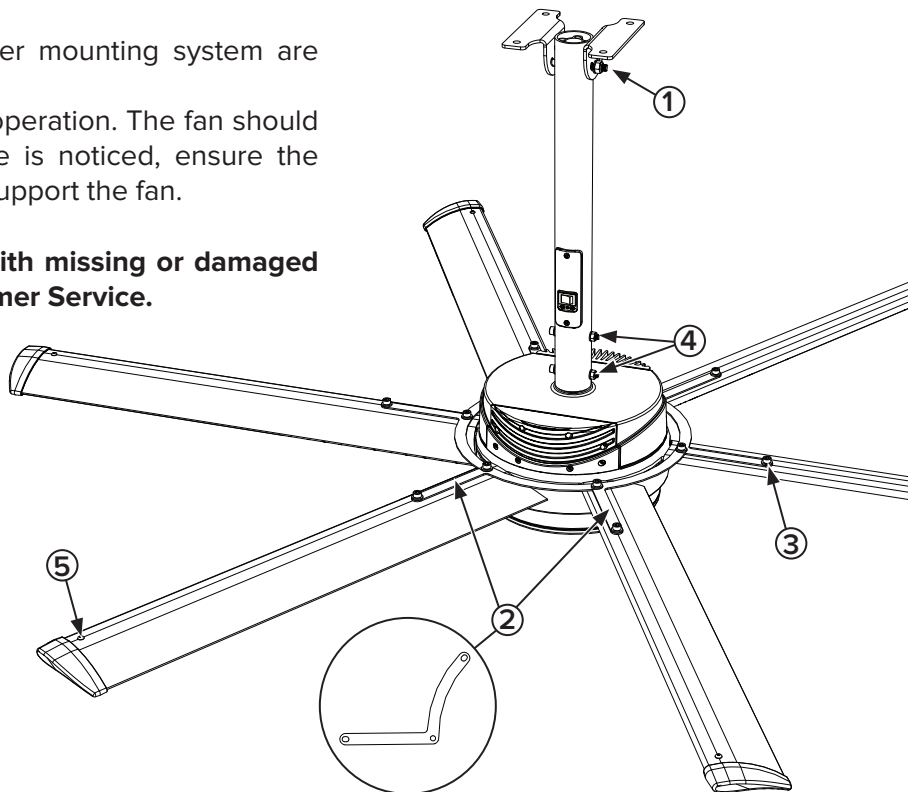
General preventive maintenance

- Verify proper fan rotation. To be effective, the fan must be turning counterclockwise when viewed from the floor.
- Dust airfoils and motor. If desired, use a gentle cleaner or degreasing agent to polish the airfoils. Do not use Clorox® or other chlorine based cleaners! This could result in the release of toxic/fatal fumes. Do not use cleansers on the electronics enclosure.
- Check that the safety cable and upper mounting system are secure.
- Observe the motion of the fan during operation. The fan should not wobble or precess. If any wobble is noticed, ensure the mounting structure is rigid enough to support the fan.

⚠ WARNING: Do not operate a fan with missing or damaged components. Please contact Customer Service.



View from Below



TROUBLESHOOTING

⚠ WARNING: When servicing or replacement of a component in the fan requires the removal or disconnection of a safety device, the safety device is to be reinstalled or remounted as previously installed.

⚠ CAUTION: Use this unit only in the manner intended by the manufacturer. If you have questions, contact the manufacturer.

⚠ WARNING: Before servicing or cleaning unit, switch power off at the service panel and lock the service disconnecting means to prevent power from being switched on accidentally. When the service disconnecting means cannot be locked, securely fasten a prominent warning device, such as a tag, to the service panel.

General troubleshooting

For questions about your product or customer service inquiries, please call our toll free number (855-490-3048).

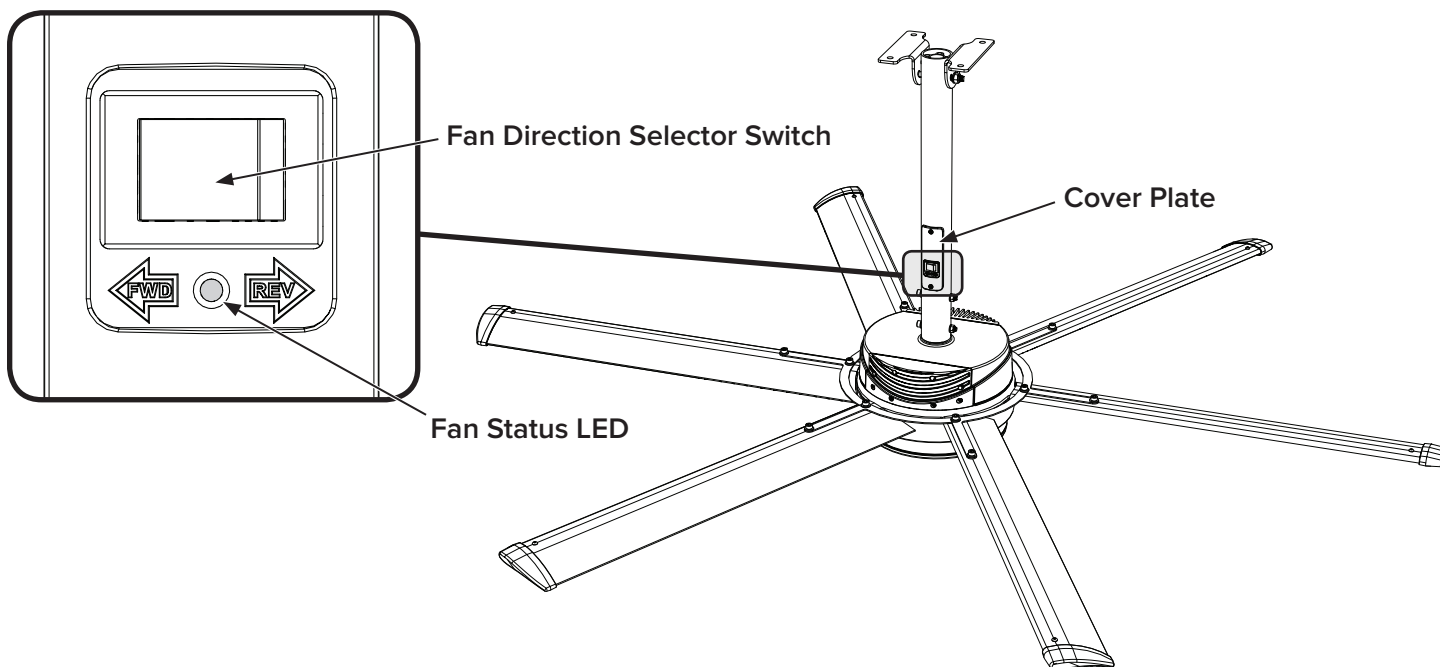
Some issues can be resolved before requesting service. Review the below troubleshooting tips before contacting Customer Service for support.

Symptom	Possible solution(s)
<p><i>A popping noise is coming from the fan.</i></p> <p>Airfoil noise comes from airfoils that are not tightened to the specified torque.</p>	<p>Switch off power at the service panel and lock the service disconnecting means. If it cannot be locked, fasten a prominent warning device. Tighten the airfoil hardware to 29 ft-lb (39.3 N·m). If popping still occurs, verify that the airfoils are not contacting each other. If they are, please contact Customer Service.</p>
<p><i>The fan will not start.</i></p>	<p>Verify the following:</p> <ul style="list-style-type: none"> • All wires are securely connected. • The blue wire and the yellow wire on the controller input cable are wired together. See the Wiring Diagrams & Electrical Guidelines section for wiring details. • The wall controller has power. • Supply power is adequate and functional. • All fuses are functional. If a fuse is blown, see the Replacing Fuses section. <p>If the fan still does not start, contact Customer Service.</p>
<p><i>The LED indicator on the wall controller is flashing.</i></p> <p>The LED indicator will flash an error code if there is a problem with the fan.</p>	<p>See the following page for fan error code descriptions and possible solutions.</p>
<p><i>The fan jerks upon startup.</i></p>	<p>This is normal and may happen occasionally upon startup as the fan positions itself relative to the motor stator. An initial slight jerking forward and backward does not affect fan operation.</p>

Electrical troubleshooting

Fan status LED definitions

The fan direction selector switch and fan status LED are located on the cover plate at the bottom of the fan's extension tube. *Note: For information on changing the fan direction, see the Operating the Fan section.*



LED status	Definition
One 1/2-Second Flash/4 Seconds Off	Over Temperature
Two 1/2-Second Flashes/4 Seconds Off	Motor Stall
Three 1/2-Second Flashes/4 Seconds Off	Output Device Failure
Four 1/2-Second Flashes/4 Seconds Off	Internal Communication Error
Five 1/2-Second Flashes/4 Seconds Off	DC Buss Undervoltage
Six 1/2-Second Flashes/4 Seconds Off	DC Buss Over Voltage
Seven 1/2-Second Flashes/4 Seconds Off	Run Enable Jumper Open
Eight 1/2-Second Flashes/4 Seconds Off	Motor Overload/Thermal Trip
Nine 1/2-Second Flashes/4 Seconds Off	Current Limit/Short Circuit

Fan status LED troubleshooting

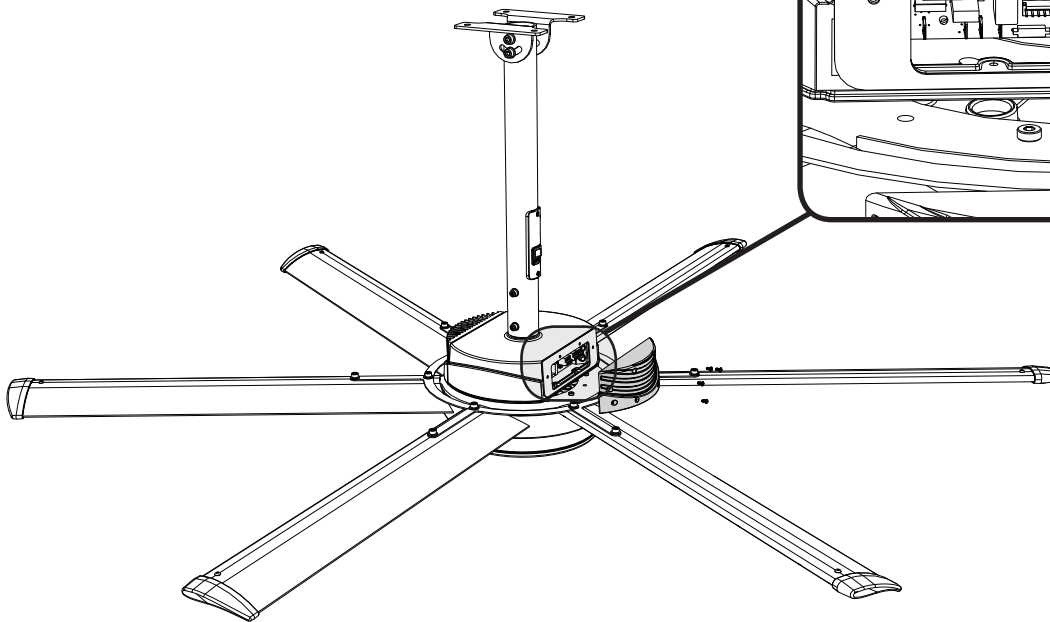
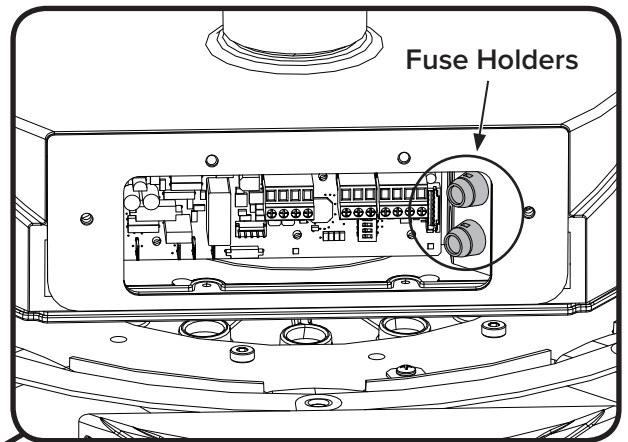
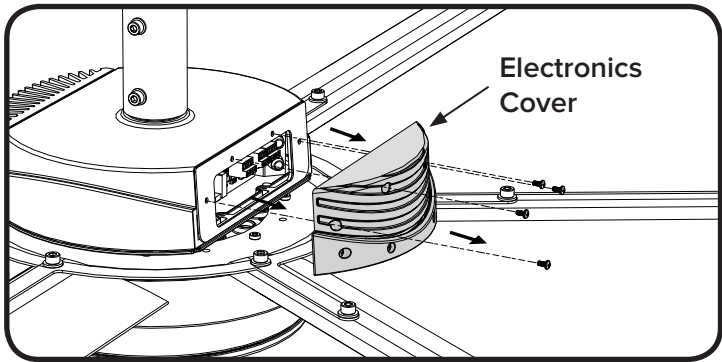
LED code	Description/Possible cause(s)	Possible solution(s)
Over Temperature	The fan drive electronics have exceeded safe operating temperature limits.	The fan will shut down for five minutes and then attempt to restart two times. If the fan does not restart after two attempts, reset power to the fan. If the fan still does not restart, contact Customer Service.
Output Device Failure	The fan drive electronics have failed or output phase loss has occurred.	
Internal Communication Error	The main fan drive has failed to respond to the command source (daughterboard, etc.).	
DC Buss Undervoltage	Buss voltage has fallen below 255 VDC.	
DC Buss Over Voltage	Buss voltage has exceeded 373 VDC.	
Motor Overload/Thermal Trip	Thermal motor overload protection has been activated.	
Current Limit/Short Circuit	The hardware current limit has been reached. A severe overload or short circuit condition exists on the fan drive output.	
Motor Stall	The fan failed to accelerate to the target RPM within one minute of startup.	The fan will shut down and will not attempt to restart. Contact Customer Service.
Run Enable Jumper Open	The run enable circuit is open and motor operation is disabled.	Make sure the blue wire and the yellow wire on the controller input cable are wired together. See the Wiring Diagrams & Electrical Guidelines section for wiring details.

Replacing fuses

⚠ WARNING: Ensure power is disconnected before replacing fuses.

⚠ CAUTION: Do not touch the fan's electronics unless necessary!

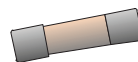
To replace the fuses on the main fan unit, remove the electronics cover from the fan as shown. The electronics cover is attached to the fan with four screws. Gently twist and pull out the appropriate fuse holder, and then replace the fuse. Reinstall the fuse holder, and then reattach the fan's electronics cover. See below for fuse recommendations.



Suitable Fuse Replacements

250 VAC, 10 A (AC Mains Supply)

- Bussman S505 Series
- Littelfuse 215 Series
- Mersen Fuse GSF
- Bel Fuse 5HT



CONTACT US

Talk to a Big Ass Fan Expert. Call us at one of the numbers below or visit www.bigassfans.com



Customer Service

U.S.A & Rest of the World

2348 Innovation Drive
Lexington, KY 40511
USA
855-490-3048
retail.help@bigassfans.com

Canada

6300 Northwest Dr, Unit 3
Mississauga, ON L4V 1J7
Canada
1-844-924-4277



Manufacturing and Warranty

Manufacturing

2251 Innovation Drive
Lexington, KY 40511
USA

Warranty Returns

2251 Innovation Drive
Lexington, KY 40511
USA
855-490-3048

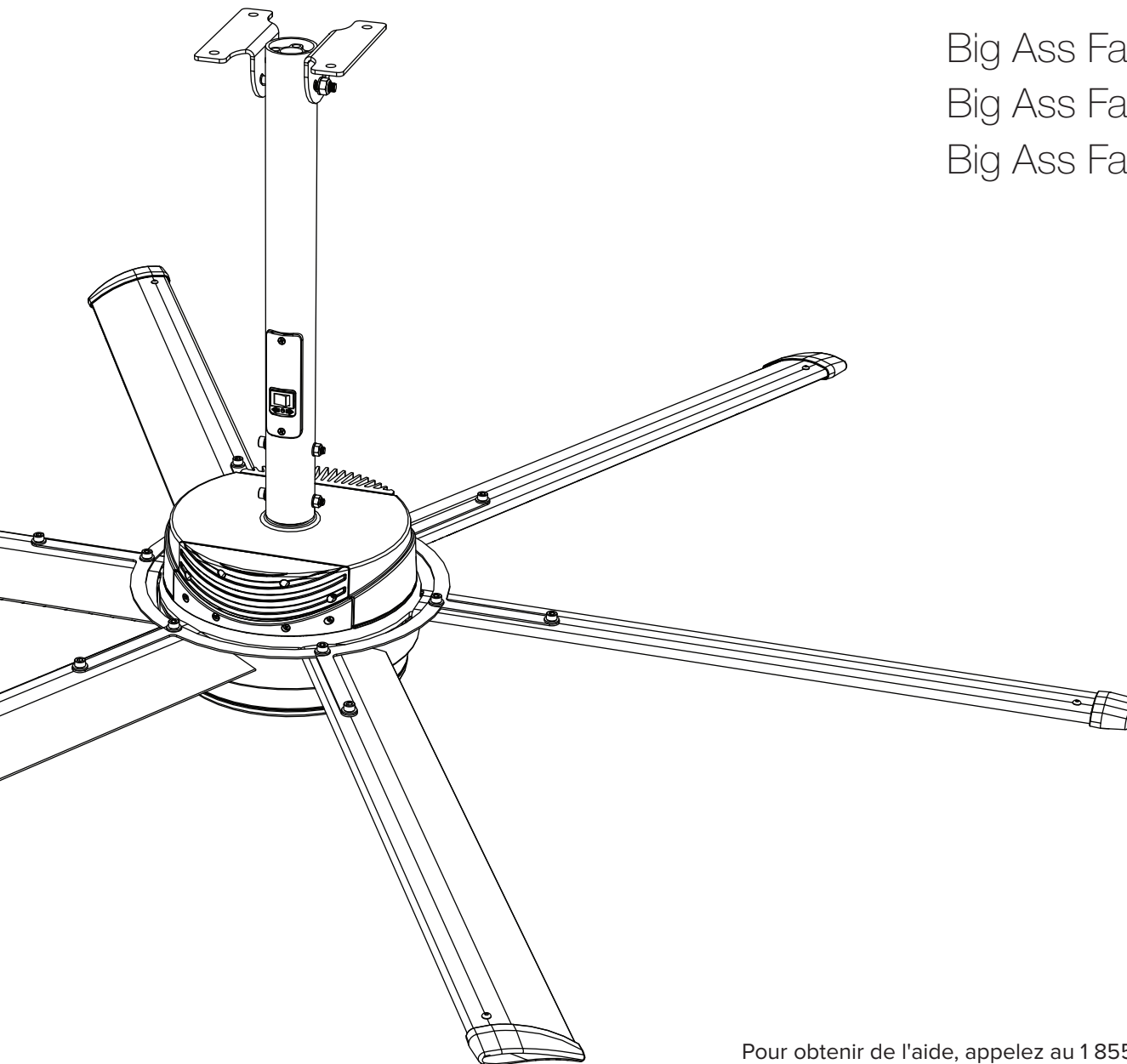


GUIDE D'INSTALLATION

Big Ass Fan® 2025

Big Ass Fan® 3025

Big Ass Fan® 3600



Pour obtenir de l'aide, appelez au 1 855 490-3048 ou
envoyez un courriel à retail.help@bigassfans.com

LISTE DE VÉRIFICATIONS AVANT L'INSTALLATION

Un ingénieur en structure a approuvé la structure de montage.

Je connais bien la fonction du câble de sécurité.

Le ventilateur sera installé afin que les pales se situent à au moins 3,05 m (10 pi) du sol.

Le ventilateur sera installé afin que les pales aient au moins 0,61 m (2 pi) de distance de tout obstacle et toute structure de bâtiment.

La distance séparant le ventilateur du plafond devrait être mesurée à partir du dessus des pointes du pales et du plafond.

Le ventilateur sera installé afin de ne pas être soumis à des vents forts comme ceux provenant d'un système CVC ou près d'une grande porte de garage.

Si le ventilateur est monté au même niveau ou plus haut qu'un diffuseur, les pointes du pale doivent être espacées d'au moins 1 fois la mesure du diamètre du ventilateur. Si le ventilateur est monté à la même hauteur ou en dessous d'un diffuseur, les pointes du pale doivent être espacées d'au moins 2 fois la mesure du diamètre du ventilateur.

La distance entre plusieurs ventilateurs doit être d'au moins 2,5 fois le diamètre du ventilateur lorsque mesurée à partir des centres des ventilateurs.

Les pales et autres composants du ventilateur sont ceux expédiés avec le bloc-moteur.

Lors de l'installation de plusieurs ventilateurs, ne mélangez pas les composants des différents ventilateurs.

VEUILLEZ LIRE ET CONSERVER CES INSTRUCTIONS



SYMBOLE D'AVERTISSEMENT ET DE MISE EN GARDE

Indique un risque de niveau moyen pouvant causer des blessures, des dommages à la propriété ou même la mort, si non évité.



SYMBOLE D'AVERTISSEMENT ÉLECTRIQUE

Indique un risque électrique de niveau moyen pouvant causer des blessures sérieuses, ou même la mort, si non évité.



Guide d'installation
décembre 2018
Ver. I
12/18/2018

Instructions originales en anglais



Conforme à la norme UL STD 507–Ventilateurs électriques
Conforme à la norme CSA C22.2 No. 113–Ventilateurs et éventails

Ce produit a été fabriqué dans une usine où le système de gestion a été certifié comme étant conforme à la norme ISO 9001.

Juridique

Une installation, une livraison ou un entretien inadéquat incluant, mais sans s'y limiter, l'une des actions suivantes par le client ou agent du client constituera une violation de et annulera toutes garanties :

- À défaut de suivre les procédures d'installation indiquées et précisées dans ce Guide d'installation, ainsi que dans toutes autres documentations fournies avec ces ventilateurs et équipement concerné, incluant la documentation fournie par le fabricant des composants de ventilateur et de contrôle individuel;
- À défaut de suivre les normes et règlements locaux incluant, mais sans s'y limiter, au *National Electric Code* (États-Unis), les codes d'électricités nationaux et municipaux ainsi que les codes de bâtiment municipal et provincial;
- À défaut de suivre les normes du domaine de l'électrotechnique concernant la méthode d'installation approuvée pour un équipement électrique à semi-conducteurs possédant les caractéristiques des ventilateurs, contrôles de ventilateurs et leurs composants, même si de telles normes ne sont pas précisées dans les instructions ou dans tous document fournis par Big Ass Fans ou fournis par les fabricants.

Toutes les marques de commerce utilisées dans le présent document sont la propriété de leurs propriétaires respectifs. Aucune partie de ce document ne peut être reproduite ou traduite en une autre langue sans avoir obtenu préalablement le consentement écrit de Big Ass Fans. Les informations que contiennent ce document sont sujettes à des changements sans préavis. Pour les dernières informations disponibles, consultez le guide d'installation en ligne au www.bigassfans.com.

www.bigassfans.com/patents ▪ www.bigassfans.com/product-warranties

IMPORTANTES CONSIGNES DE SÉCURITÉ

POUR RÉDUIRE LE RISQUE D'INCENDIE, CHOC ÉLECTRIQUE OU DE BLESSURES CORPORELLES, VEUILLEZ SUIVRE LES DIRECTIVES SUIVANTES :

MISE EN GARDE : le travail d'installation et le câblage électrique doit être effectué par une ou des personnes qualifiées conformément aux codes et aux normes applicables.

MISE EN GARDE : lors du coupage ou du perçage dans un mur ou plafond, n'endommagez pas le câblage électrique et autres circuits encastrés.

MISE EN GARDE : utilisez cette unité pour les raisons pour lesquelles elle a été conçue par le fabricant. Si vous avez des questions, communiquez avec le fabricant.

AVERTISSEMENT : avant d'entretenir ou de nettoyer l'unité, éteignez l'alimentation à partir du panneau d'entretien et verrouiller le débranchement du service pour éviter toute remise sous tension de façon accidentelle. Lorsqu'il est impossible de verrouiller le dispositif de débranchement du service, fixer solidement et bien à la vue un dispositif d'avertissement, comme une étiquette, sur le panneau d'entretien.

MISE EN GARDE : l'installation d'un ventilateur Big Ass Fan doit être effectuée conformément aux exigences précisées dans ce manuel d'installation et à toutes autres exigences supplémentaires établies par le National Electric Code (NEC), ANSI/NFPA 70-2014, et tous les codes municipaux. La conformité aux codes est VOTRE responsabilité! Le défaut de vous conformer avec ces codes pourraient résulter en des blessures corporelles ou des dommages à la propriété.

MISE EN GARDE : soyez prudents et utilisez le bon sens lorsque vous raccordez le ventilateur. Ne branchez pas le ventilateur à une source d'alimentation endommagée ou dangereuse. Ne tentez pas de résoudre vous-même un mauvais fonctionnement électrique ou une défaillance électrique. Communiquez avec Big Ass Fans si vous avez des questions concernant l'installation électrique de ce ventilateur.

AVERTISSEMENT : pour réduire le risque d'incendie, de choc électrique et de blessures corporelles, les ventilateurs Big Ass Fans doivent être posés avec les contrôleurs Big Ass Fan fournis et compatible avec le modèle de ventilateur avec ce modèle. Aucun des autres composants ne peut être échangé.

MISE EN GARDE : lorsque le service ou le remplacement d'un composant dans le ventilateur nécessite le retrait ou le débranchement d'un dispositif de sécurité, ce dispositif doit être posé de nouveau ou remonté comme précédemment.

AVERTISSEMENT : risque d'incendie, de choc électrique ou de blessures corporelles lors du nettoyage et de l'entretien par l'utilisateur! Débranchez le ventilateur de l'alimentation électrique avant tout entretien.

MISE EN GARDE : ne pliez pas les pales lors de l'installation, l'ajustement ou le nettoyage du ventilateur. N'insérez pas des corps étrangers entre les voilures rotatives.

AVERTISSEMENT : restez vigilant, regardez ce que vous faites et utilisez le bon sens lors de l'installation de ventilateurs. N'installez pas de ventilateurs si vous êtes fatigués ou sous l'influence de drogues, de l'alcool ou de médicaments. Un moment d'inattention pendant l'installation de ventilateurs peut causer des blessures corporelles sérieuses.

MISE EN GARDE : l'installation de ce ventilateur nécessite l'utilisation de certains outils électriques. Suivez les procédures de sécurité que vous trouverez dans le manuel du propriétaire pour chacun de ces outils et ne les utilisez pas pour d'autres buts que ceux pour lesquels ils ont été conçus.

MISE EN GARDE : la garantie du produit Big Ass Fans ne couvre pas les dommages à l'équipement ou la défaillance causée pour une installation inadéquate.

AVERTISSEMENT : cet appareil n'est pas conçu pour être utilisé par des personnes (incluant des enfants) avec des capacités physiques, sensorielles ou mentales réduites, ou possédant un manque d'expérience ou de connaissance, à moins d'être supervisées ou guidées concernant l'utilisation de l'appareil par une personne responsable. Les enfants devraient être supervisés pour s'assurer que l'appareil n'est pas utilisé comme un jouet.

Laissez ce guide d'installation au propriétaire du ventilateur une fois l'installation terminée.

TABLE DES MATIÈRES

Introduction	Consignes de sécurité ii
Spécifications techniques	Spécifications techniques 1
Avant d'installer votre ventilateur	Outils..... 2 Directives sur l'alimentation électrique 2 Directives sur l'emplacement et le dégagement..... 2 Espacement d'un équipement CVC et d'appareils de chauffage à rayonnement..... 3 Quincaillerie..... 4 Pièces 5
Schéma du ventilateur	Schéma du ventilateur 6
Installation	Aperçu..... 7 1. Préparer les poutrelles 8 2. Passer le faisceau de câbles et le câble de sécurité dans le tube de rallonge 11 3. Fixer le support supérieur et la cale de montage supérieure..... 11 4. Fixer le support supérieur aux fers d'angle 12 5. Fixer solidement le câble de sécurité..... 13 6. Fixer solidement le câble de sécurité à l'unité de ventilation principale .. 14 7. Fixer l'unité de ventilation principale au tube de rallonge..... 15 8. Serrer solidement la quincaillerie 15 9. Brancher l'alimentation et le faisceau de câblage du contrôleur mural 16 10. Poser le couvercle 17 11. Poser le support de montage du couvercle inférieur 17 12. Poser le couvercle inférieur 18 13. Poser l'anneau de garniture 18 14. Fixer le contrôleur mural 19 15. Câbler le ventilateur et le contrôleur mural 20 16. Poser les pales 20
Schémas électriques et directives électriques	Consignes de sécurité électrique..... 22 Schéma de câblage..... 22 Câblage : Relais d'alarme d'incendie 23
Fonctionnement du ventilateur	Démarrer et arrêter le ventilateur 24 Ajuster la vitesse du ventilateur 24 Modifier la direction du ventilateur..... 24 Période de chauffage et période de refroidissement 25
Entretien préventif	Entretien annuel et préventif général 26 Liste de vérifications pour entretien annuel 27
Dépannage	Dépannage général..... 29 Dépannage électrique 30 Remplacement des fusibles 32
Nous contacter	Nous contacter..... 33

SPÉCIFICATIONS TECHNIQUES

Modèle	Diamètre	Puissance d'entrée	Taille minimale du circuit	Courant nominal	Vitesse maximale	Longueur du pale
Big Ass Fan® 2025	2,13 m (7 pi)	110 à 125 VCA, 50/60 Hz, 1 Φ	10 A	5,1 A	198 T/M	90,2 cm (35,5 po)
Big Ass Fan® 3025	3,05 m (10 pi)	110 à 125 VCA, 50/60 Hz, 1 Φ	10 A	6,0 A	124 T/M	129 cm (50,8 po)
Big Ass Fan® 3600	3,66 m (12 pi)	110 à 125 VCA, 50/60 Hz, 1 Φ	10 A	4,1 A	85 T/M	159,5 cm (62,8 po)



AVANT D'INSTALLER VOTRE VENTILATEUR

Veillez lire les procédures et effectuer les vérifications suivantes pour vous assurer que vous possédez tous les éléments nécessaires à l'installation.

Outils

Le corps du ventilateur est lourd. Un appareil de levage adéquat pour soulever le poids du ventilateur, comme une plate-forme élévatrice à ciseaux, au moins deux personnes et les outils suivants seront requis. *Remarque : selon votre utilisation, des outils supplémentaires pourraient être requis.*

- Jeux de clés standards et métriques
- Douilles et jeux de clés à rochet standards et métriques
- Clé dynamométrique pouvant aller jusqu'à 40 lb-pi (54,2 N-M) et une douille de 3/4 po
- Tournevis cruciforme et à tête plate
- Jeu de clés hexagonales métriques
- Douilles à têtes hexagonales métriques
- Perceuse
- Scie à métaux
- Niveau
- Ruban à mesurer
- Pincés à dénuder n° 10 à 14 AWG
- Pincés multiprises moyennes
- Multimètre

Directives sur l'alimentation électrique

Si vous ne connaissez pas ou n'êtes pas à l'aise avec l'installation des composants électriques, n'essayez pas d'installer le ventilateur sans l'aide d'un électricien. Ce guide constitue seulement une recommandation pour une installation adéquate.

- Assurez-vous que le câblage d'alimentation est acheminé vers une boîte de jonction du ventilateur avant l'installation.
- Reportez-vous à la section Spécifications techniques et à l'étiquette du ventilateur pour les exigences de circuit appropriées pour votre ventilateur.
- Pour réduire le risque de choc électrique, le câblage devrait être effectué par un technicien qualifié. Un assemblage inadéquat pourrait causer un choc électrique ou endommager le moteur ou les contrôles.
- L'installation électrique du ventilateur doit être conforme au *National Electric Code*, ANSI/NFPA 70-2014, si applicable, ainsi qu'à tous les règlements municipaux.
- Se reporter aux sections Schémas de câblage et Directives électriques pour tous les détails concernant les exigences électriques.

Directives sur l'emplacement et le dégagement

Avant de commencer l'installation, assurez-vous que la structure du bâtiment et l'emplacement du ventilateur répondent aux directives de Big Ass Fans en vous assurant que les exigences ci-dessous sont respectées. *Si une utilisation de ventilateur ne répond pas aux exigences, communiquez avec le service à la clientèle pour discuter d'installations alternatives ou d'autres options de ventilateur.*

- Le ventilateur doit être installé de façon à ce qu'il soit vertical avec le sol.
- Toutes les pièces du ventilateur doivent se situer à ≥ 61 cm (2 pi) de toutes obstructions et à ≥ 91 cm (3 pi) en-dessous des arroseurs. L'endroit où le ventilateur sera installé doit être exempt de toutes obstructions comme de lumières, câbles ou autres composants structurels du bâtiment.
- Le ventilateur doit être installé afin d'être à ≥ 3 m (10 pi) au-dessus du revêtement de plancher.
- Lorsque plusieurs ventilateurs sont installés, ceux-ci doivent être espacés d'au moins 2,5 fois le diamètre du ventilateur, centre à centre.

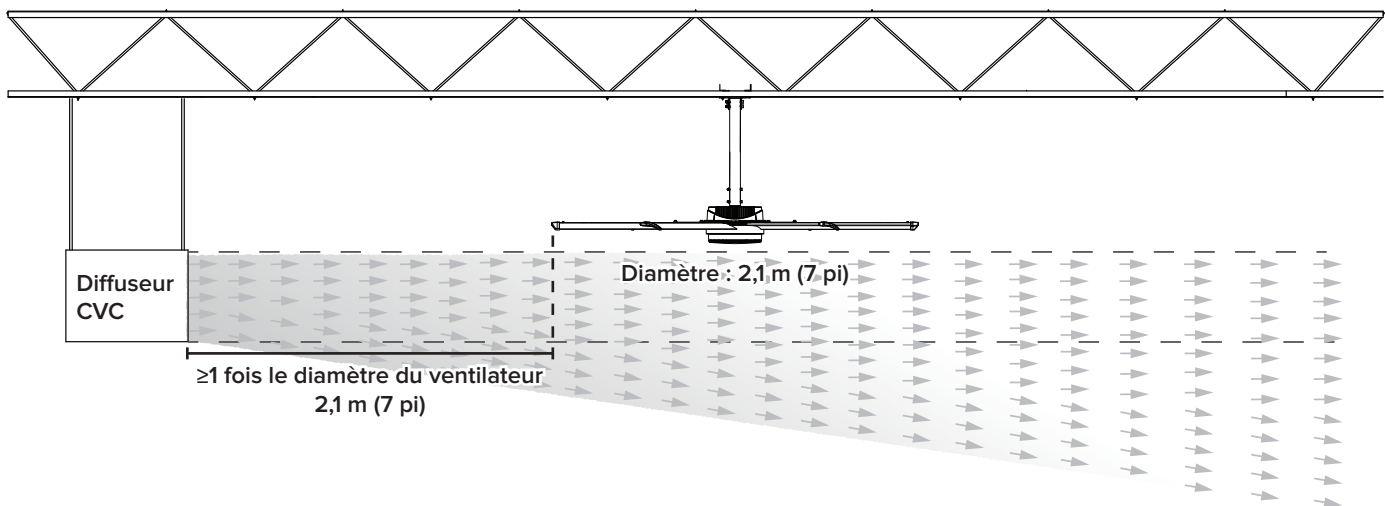
- Si le montage du ventilateur se situe près d'un chauffage infrarouge ou radiant, Big Ass Fans recommande de monter celui-ci plus loin que les espacements recommandés par le fabricant du système de chauffage, et à une hauteur égale ou supérieure à celle de l'écran de l'élément de chauffage, le contrôleur sur le côté opposé du système de chauffage. Si le montage du ventilateur est effectué en-dessous de l'écran du système de chauffage, tous les éléments du ventilateur doivent se situer plus loin que les espacements recommandés par le fabricant du système de chauffage. Le manuel d'installation pour le modèle de système de chauffage concerné contient habituellement les espacements minimaux par rapport aux objets inflammables (MCC).

Espacement d'un équipement CVC et d'appareils de chauffage à rayonnement

Les distances minimales d'espacement à respecter pour la pose du ventilateur près d'un système CVC (chauffage, ventilateur, climatisation) sont indiquées ci-dessous. Voir les exigences du fabricant pour l'espacement minimal pour objets inflammables.

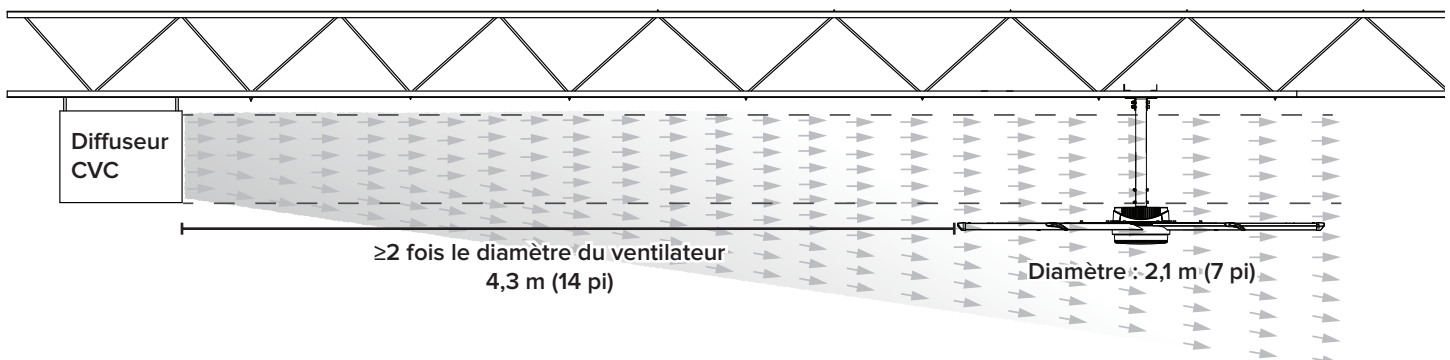
Ventilateur situé près ou au-dessus d'une prise d'évacuation ou d'admission CVC

Si le ventilateur se situe au même niveau ou plus haut qu'un diffuseur CVC, la distance doit être d'au moins 1 fois la mesure du diamètre du ventilateur.



Ventilateur situé au-dessous d'une prise d'évacuation ou d'admission CVC

Si le ventilateur se situe au-dessous d'un diffuseur CVC, la distance doit être d'au moins 2 fois la mesure du diamètre du ventilateur.



Quincaillerie

Assurez-vous d'avoir en main toute la quincaillerie nécessaire avant de commencer l'installation. Si des pièces nécessaires à l'installation sont manquantes, communiquez avec le service à la clientèle Big Ass Fans.

Quincaillerie de montage

Quincaillerie de montage^{1,2}

- (5) vis à tête hexagonale M10 x 40 mm
- (9) rondelles plates M10
- (5) écrous à frein élastique M10

Quincaillerie du tube de rallonge²

- (3) vis à tête creuse M10 x 90 mm
- (5) rondelles plates M10
- (3) écrous à frein élastique M10

Quincaillerie pour l'unité de ventilation principale²

- (3) vis à tête creuse M8 x 75 mm
- (5) rondelles plates M8
- (3) écrous à frein élastique M8

Quincaillerie pour pale

Quincaillerie pour pale²

- (13) vis à tête creuse M8 x 18 mm
- (13) rondelles Belleville 8 mm

Quincaillerie pour pointe de pale²

- (7) vis à tête ronde M5 x 12 mm

Quincaillerie pour câble de sécurité, couvercle et couvercle inférieur

Quincaillerie pour câble de sécurité

- Axe à épaulement 5/16 po
- Goupille fendue
- Gripple®

Quincaillerie pour couvercle²

- (3) vis à tête plate 8-32 x 1/2 po

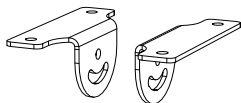
Quincaillerie pour couvercle inférieur²

- (4) vis à tête ronde bombée 8-32 x 3/8 po
- (9) vis à tête ronde bombée 6-32 x 3/8 po

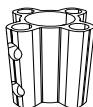
1. Des rondelles carrées sont incluses pour monter le ventilateur sur fers d'angle. Le nombre de rondelles carrées nécessaires dépend du nombre de fers d'angle utilisés.
2. Une pièce supplémentaire de chaque type est incluse.

Pièces

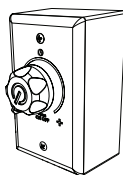
Avant de commencer l'installation, assurez-vous qu'il ne manque aucune pièce dans les boîtes de ventilateurs. Si vous avez commandé plusieurs ventilateurs, assurez-vous de garder les composants avec son propre ventilateur. Les ventilateurs possèdent des composants cotés différemment et qui ne sont pas interchangeables. Ne retirez pas l'unité de ventilation principale de son emballage protecteur ou déposez-la sur une surface plate avant de l'accrocher. Remarque : les illustrations ne sont pas à l'échelle.



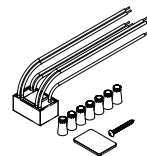
Support supérieur



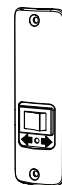
Cale du support supérieur¹



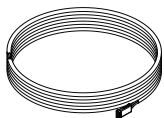
Contrôleur mural



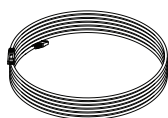
Relais d'incendie²



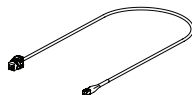
Couvercle



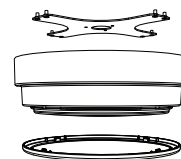
Câble d'alimentation électrique 6 m (20 pi)



Câble CAT5 15 m (50 pi)³



Câble d'entrée du contrôleur 152 cm (5 pi)



Couvercle inférieur, cale de montage et anneau de garniture



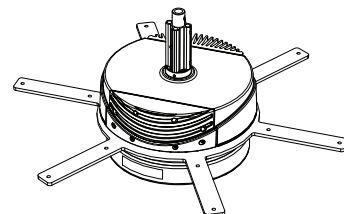
(6) pales



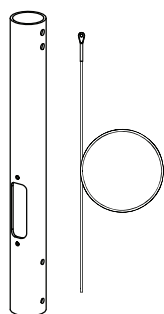
(6) pointes de pales



(6) disques de retenue des pales



Unité de ventilation principale



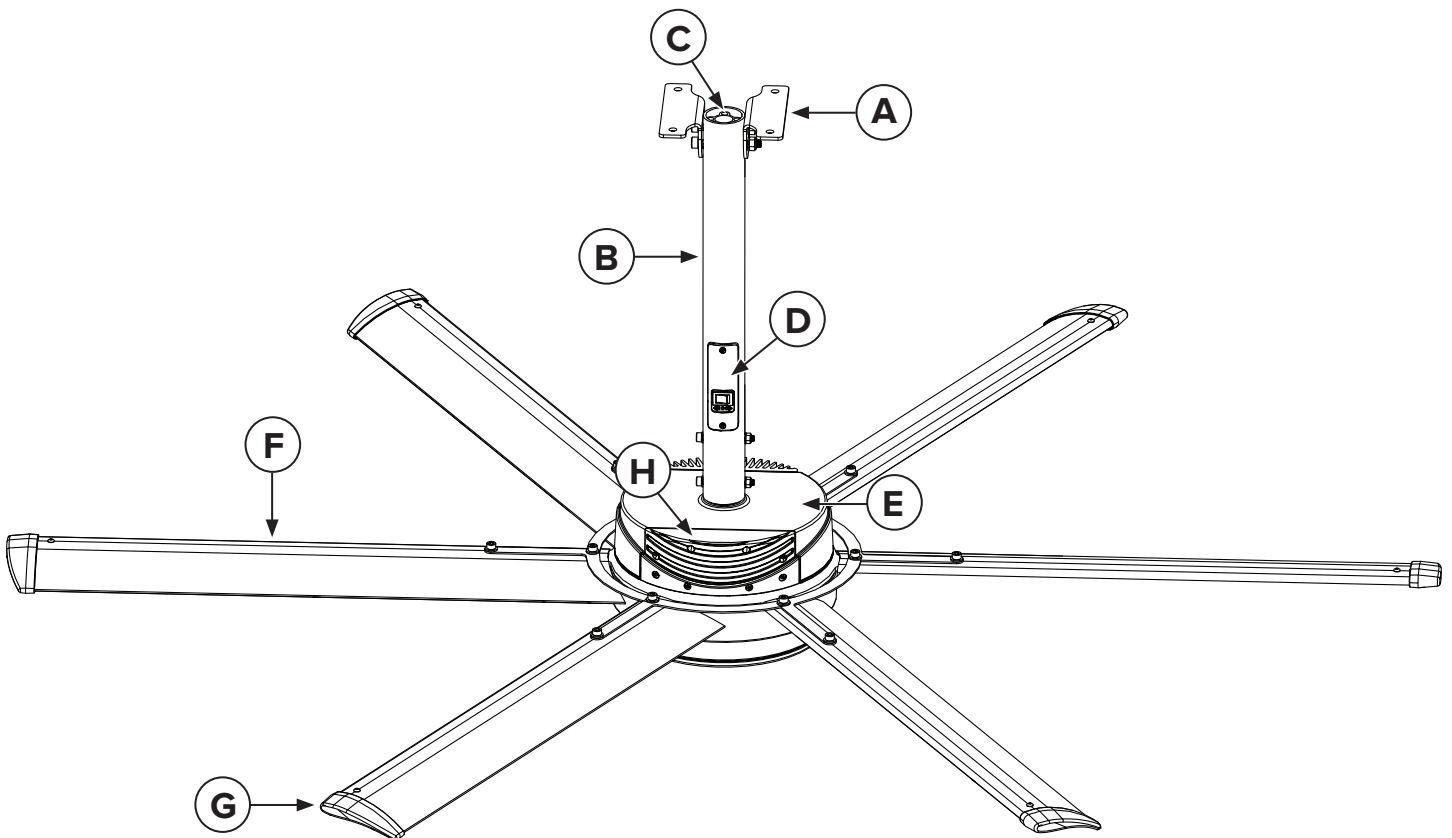
Tube de rallonge et câble de sécurité⁴

1. La cale de montage supérieure renforce le système de montage supérieur et doit être posée dans la partie supérieure interne du tube de rallonge.
2. Le relais d'incendie est fourni pour les ventilateurs qui seront posés dans des bâtiments avec système d'arroseurs automatiques. Se reporter aux sections Schémas de câblage et Directives électriques pour tous les détails concernant le câble des relais d'incendie.
3. Le câble CAT5 relie le contrôleur mural au ventilateur. Une extrémité se branche dans le contrôleur mural alors que l'autre se branche dans le câble d'entrée du contrôleur. Se reporter aux sections Schémas de câblage et Directives électriques pour tous les détails concernant le câblage. Un câble CAT5 plus long peut être utilisé, si nécessaire (fourni par l'installateur).
4. Deux agrafes de sécurité et deux mousquetons sont fournis pour l'installation du câble de sécurité dans les endroits où la structure de montage supérieure est inaccessible. Communiquez avec le service à la clientèle si vous avez besoin d'aide pour l'installation du câble de sécurité.

SCHÉMA DU VENTILATEUR

- A. Support supérieur.** Fixez solidement le ventilateur à la structure de montage.
- B. Tube de rallonge.** Rallonge la distance entre le ventilateur et le plafond et offre un acheminement de câblage.
- C. Cale de montage supérieure.** Solidifie le système de montage supérieur.
- D. Couvercle.** Permet d'accéder au câblage et contient les lumières à DEL indiquant l'état du ventilateur, ainsi qu'un interrupteur permettant de modifier la direction de rotation du ventilateur. Le témoin à DEL clignotera un code d'erreur si le ventilateur a un problème. Se reporter à la section Dépannage pour les codes d'erreurs du témoin DEL. Se reporter à la section Fonctionnement du ventilateur pour les informations concernant le changement de direction de celui-ci.
- E. Unité de ventilation principale.** Comprend le moteur, le moyeu et le câblage d'alimentation.
- F. Pale.** Offre un mouvement d'air. Le design unique et breveté offre un mouvement d'air efficace.
- G. Pointe du pale.** Assure un fonctionnement silencieux du ventilateur.
- H. Capot de l'électronique.** Permet d'accéder aux fonctions électroniques et aux fusibles du ventilateur. Se reporter à la section Dépannage pour de l'information concernant le remplacement des fusibles.

Remarque : Le câble de sécurité n'apparaît pas dans l'image ci-dessous. Par contre, il constitue une pièce importante de l'installation.



INSTALLATION

⚠ AVERTISSEMENT : le ventilateur ne devrait pas être installé ailleurs que sur une structure robuste, non endommagée et capable de soutenir la charge du ventilateur et de ses méthodes de montage. Un ingénieur en structure devrait s'assurer que la structure est adéquate avant l'installation du ventilateur. Le client ou l'utilisateur final est l'unique responsable de la vérification de la stabilité de la structure de montage, et Big Ass Fans rejette toutes responsabilités découlant ou survenant suite à une utilisation de tous matériels ou toute quincaillerie autre que ceux fournis par Big Ass Fans ou autrement précisés dans ces instructions d'installation.

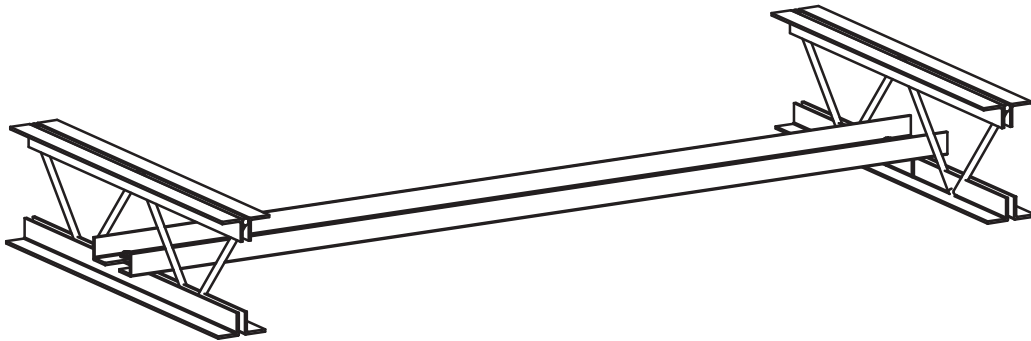
⚠ AVERTISSEMENT : assurez-vous que personne ne se trouve sous le ventilateur lors de l'installation!

Aperçu

Le ventilateur ne peut être suspendu qu'à des poutres si des fers d'angle sont utilisés. Consultez un ingénieur en structure pour des méthodes d'installation non couvertes dans ce manuel. Suivez les étapes aux pages suivantes pour installer votre ventilateur.

Exigences des fers d'angle

- Les dimensions minimales des fers d'angle doivent être de 6,4 cm × 6,4 cm × 0,6 cm (2-1/2 po × 2-1/2 po × 1/4 po).
- L'envergure des fers d'angle non soutenus ne doit pas excéder 3,7 m (12 pi).
- N'installez pas le ventilateur à partir d'un panne, d'un pont, d'une poutre ou d'une boîte de jonction.
- Les fers d'angle doivent être fixés à la structure du toit à chaque extrémité.



1. Préparer les poutrelles

⚠ MISE EN GARDE : n'installez pas le ventilateur à partir d'un panne, d'un pont, d'une poutre ou d'une boîte de jonction.

⚠ MISE EN GARDE : l'envergure des fers d'angle non soutenus ne doit pas excéder 3,7 m (12 pi).

⚠ MISE EN GARDE : les fers d'angle doivent être fixés à la structure du toit à chaque extrémité.

Consultez un ingénieur en structure pour des méthodes d'installation non couvertes dans ce manuel.

A. Sélection des les fers d'angle appropriés

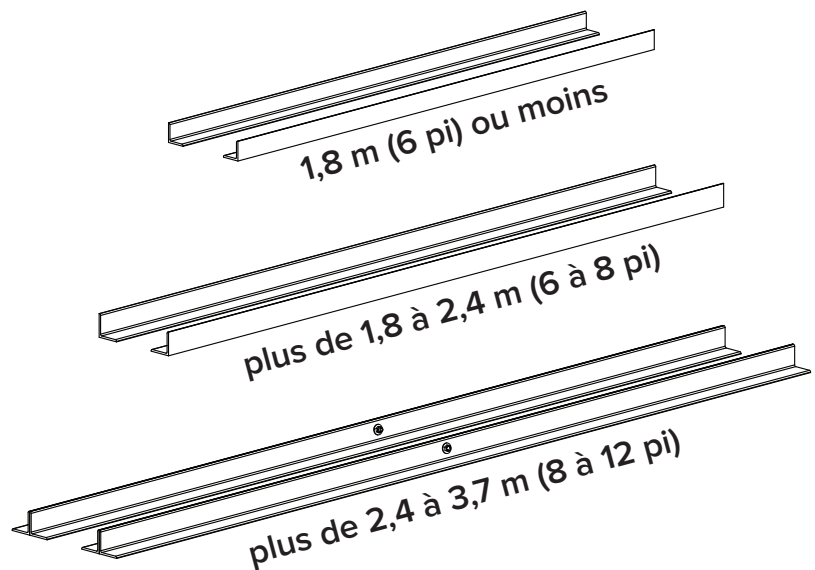
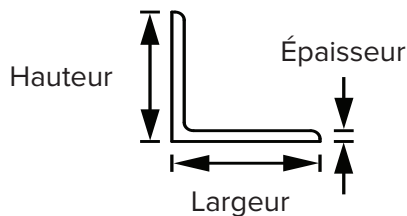
Consultez le tableau ci-dessous lorsque vient le temps de sélectionner des fers d'angle pour l'installation du ventilateur. *Remarque : les fers d'angle et la quincaillerie de ceux-ci ne sont pas inclus avec le ventilateur.*

Envergure du fer d'angle (entre les points de montage)	Dimensions minimales du fer d'angle (L x H x É)	Quantité de fers d'angles nécessaires
1,8 m (6 pi) ou moins	6,4 cm x 6,4 cm x 0,6 cm (2,5 po x 2,5 po x 0,25 po)	2
1,8 m à 2,4 m (6 pi à 8 pi)	7,6 cm x 7,6 cm x 0,6 cm (3 po x 3 po x 0,25 po)	2
2,4 m à 3,7 m (8 pi à 12 pi)	7,6 cm x 7,6 cm x 0,6 cm (3 po x 3 po x 0,25 po)	4*

*Deux paires de fers d'angle nécessaires.

Vue latérale fer d'angle

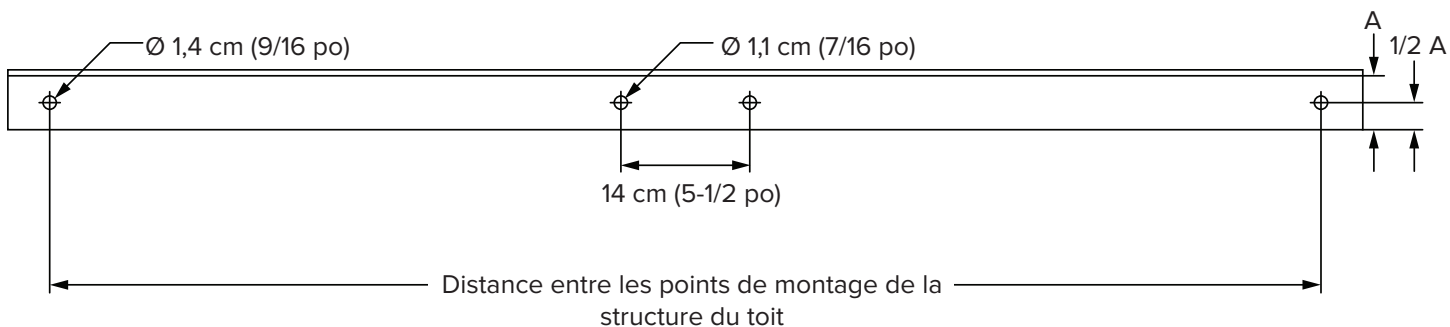
(voir le tableau pour les dimensions)



B. Pré-perçage des fers d'angle

Percez deux trous de $\varnothing 1,1$ cm (7/16 po) à exactement 14 cm (5-1/2 po) de distance, centre à centre, des deux fers d'angle.

Mesurez la distance entre les points de montage de la structure du toit sur lesquels les fers d'angle seront répartis. Mesurez la même distance sur les fers d'angle et percez des trous de $\varnothing 1,4$ cm (9/16 po) à chaque extrémité des fers d'angle. Percez des trous dans les deux fers d'angle si l'envergure est de 2,4 m (8 pi) ou moins. Percez des trous dans les quatre fers d'angle si l'envergure est supérieure à 2,4 m (8 pi).



C. Fixation des fers d'angle ensemble (si l'envergure est supérieure à 2,4 m [8 pi]).

Si l'envergure du fer d'angle est de 2,4 m (8 pi) ou moins, sautez cette étape et passez à l'étape D.

Si l'envergure du fer d'angle est supérieure à 2,4 m (8 pi), utilisez des fers d'angle doubles. Localisez le centre de la longueur du fer d'angle. Percez un trou de $\varnothing 1,4$ cm (9/16 po) au centre de la paroi verticale du fer d'angle. Percez un total de quatre fers d'angle.

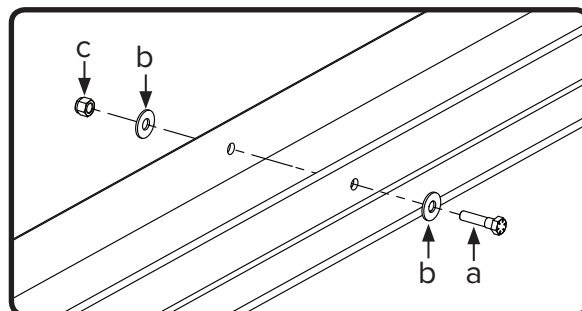
Mettez dos à dos deux fers d'angle percés. Fixez les deux fers d'angle ensemble à l'aide de quincaillerie de calibre 8. Alignez les fers d'angle ensemble et serrez les boulons à un couple de 25 lb-pi (33,9 N-m) à l'aide d'une clé dynamométrique et d'une douille 3/4 po ou 19 mm.

Répétez cette étape pour les deux autres fers d'angle.

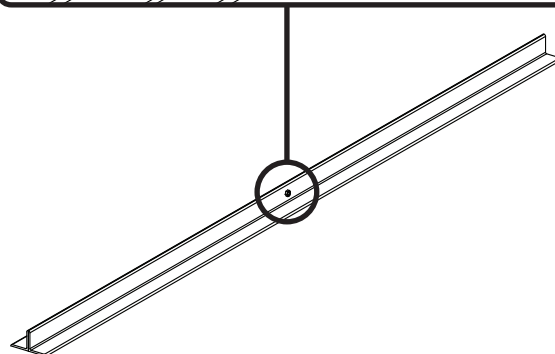
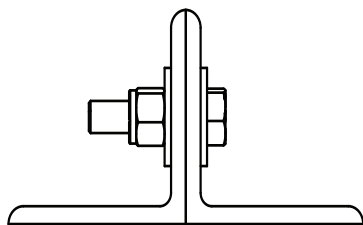
Passez à l'étape D.

Quincaillerie de calibre 8 (fourni par l'installateur) :

- a. (2) boulons 1/2-13 ou M12
- b. (4) rondelle 1/2 po ou M12
- c. (2) écrous 1/2 po ou M12



Vue latérale



D. Fixation des fers d'angle aux points de montage de la structure du toit

Fer d'angle unique

Fixez les deux fers d'angle aux points de montage de la structure du toit à chaque extrémité, en utilisant une quincaillerie de calibre 8, comme illustré. **Serrez bien la quincaillerie, mais n'utilisez pas la clé dynamométrique tant que le ventilateur n'a pas été monté sur les fers d'angle.** Nous vous recommandons d'orienter les fers d'angle afin que les pattes horizontales soient en face l'une de l'autre (ou que les pattes verticales soient à l'extérieur).

Quincaillerie de calibre 8 (fournie par l'installateur) :

- (4) boulons 1/2-13 ou M12
- (8) rondelle 1/2 po ou M12
- (4) rondelles carrées de 3 po (fournies; voir le schéma)
- (4) écrous 1/2 po ou M12

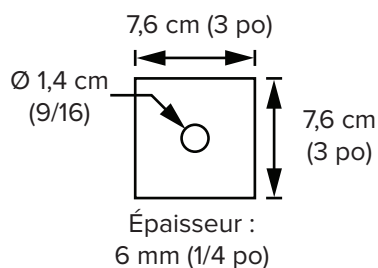
Fer d'angle double

Fixez les deux fers d'angle aux points de montage de la structure du toit à chaque extrémité, en utilisant une quincaillerie de calibre 8, comme illustré. Les fers d'angle avec trous de montage pour ventilateur devraient être positionnés sur la partie intérieure et se faire face. **Serrez la quincaillerie afin que celle-ci soit bien ajustée, mais pas trop tant que le ventilateur n'a pas été monté sur les fers d'angle.**

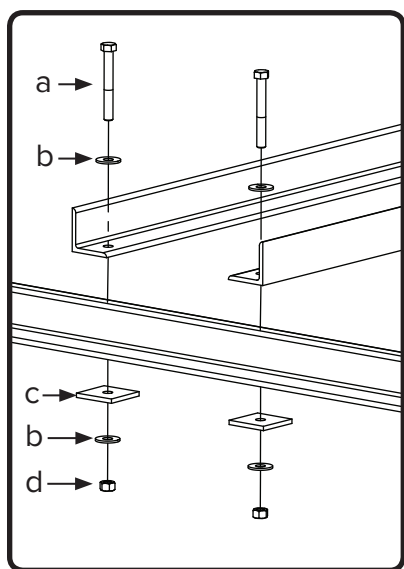
Quincaillerie de calibre 8 (fournie par l'installateur) :

- (8) boulons 1/2-13 ou M12
- (16) rondelle 1/2 po ou M12
- (8) rondelles carrées de 3 po (fournies; voir le schéma)
- (8) écrous 1/2 po ou M12

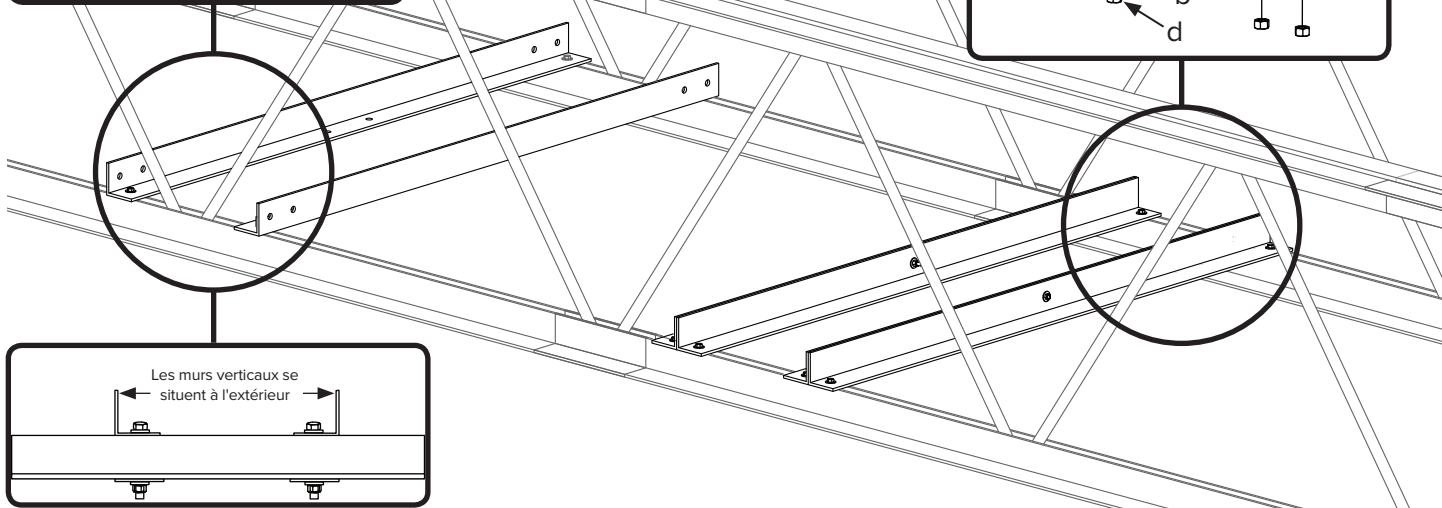
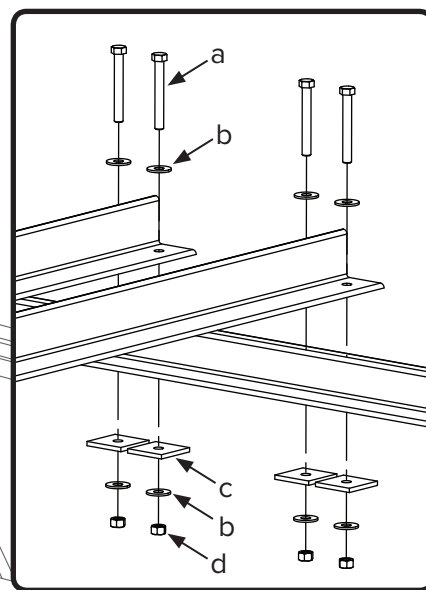
Rondelle carrée



Fers d'angle uniques



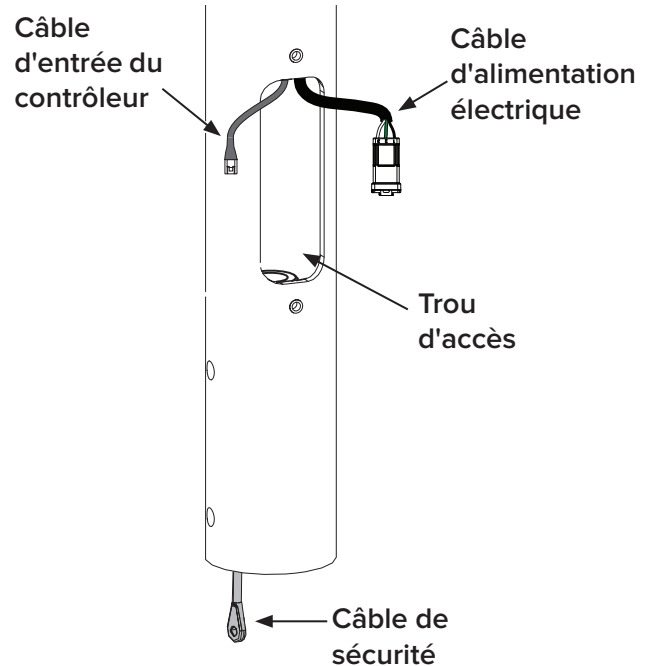
Fers d'angle doubles



2. Passer le faisceau de câblage et le câble de sécurité dans le tube de rallonge

Remarque : pour faciliter l'installation, Big Ass Fans recommande que, pour cette étape, le tube de rallonge soit positionné de façon horizontale avec le trou d'accès rectangulaire, face vers le haut.

- Acheminez l'extrémité du câble d'entrée du contrôleur, le faisceau de câblage sur celui-ci (l'extrémité sans les trois fils détachés) dans le haut du tube de rallonge et en faisant ressortir le tout par le trou d'accès rectangulaire, comme montré.
- Acheminez le câble d'alimentation électrique, avec le faisceau de câblage sur celui-ci dans le haut du tube de rallonge et en faisant ressortir le tout par le trou d'accès rectangulaire, comme montré.
- Acheminez l'extrémité du câble de sécurité avec la cosse sur celui-ci dans le haut du tube de rallonge et en faisant ressortir le tout dans le bas du tube, comme montré.



3. Fixer le support supérieur et la cale de montage supérieure

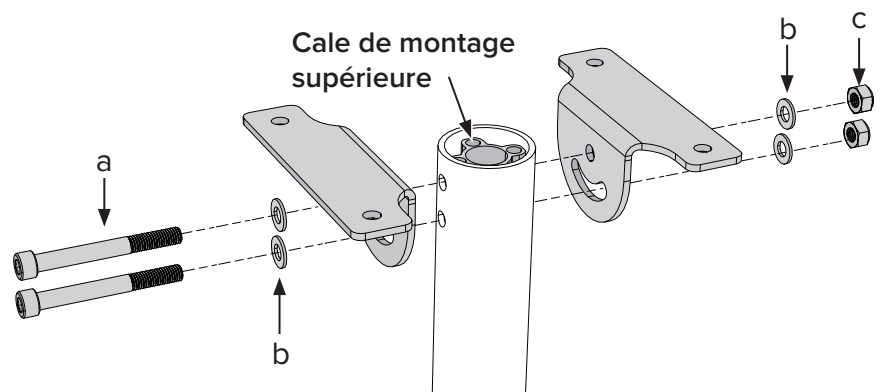
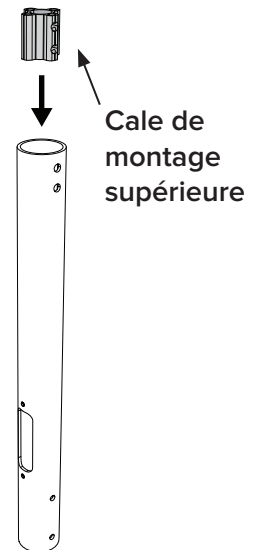
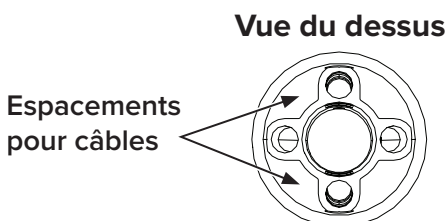
Remarque : pour faciliter l'installation, Big Ass Fans recommande que pour cette étape, le tube de rallonge soit positionné de façon horizontale avec le trou d'accès rectangulaire, face vers le haut. Le câblage et le câble de sécurité n'apparaissent pas dans les illustrations.

Insérez la cale de montage supérieure dans le haut du tube de rallonge et alignez les quatre trous de montage de la cale avec ceux situés dans le haut du tube, comme montré à droite. Positionnez, comme montré, le câble d'alimentation électrique, le câble d'entrée du contrôleur et le câble de sécurité dans n'importe lequel des quatre espaces situés entre la cale de montage du support et le tube de rallonge. *Remarque : le câble peut être positionné dans n'importe lequel des quatre espaces. Ils n'ont pas besoin de tous occuper le même espace.*

Fixez la cale de montage supérieure (à l'intérieur du tube de rallonge) et le support supérieur au tube de rallonge en utilisant la quincaillerie du tube de rallonge, comme montré ci-dessous. **Serrez la quincaillerie afin qu'elle soit bien ajustée, mais pas trop.**

Quincaillerie du tube de rallonge :

- (2) vis à tête creuse M10 x 90 mm
- (4) rondelles plates M10
- (2) écrous à frein élastique M10

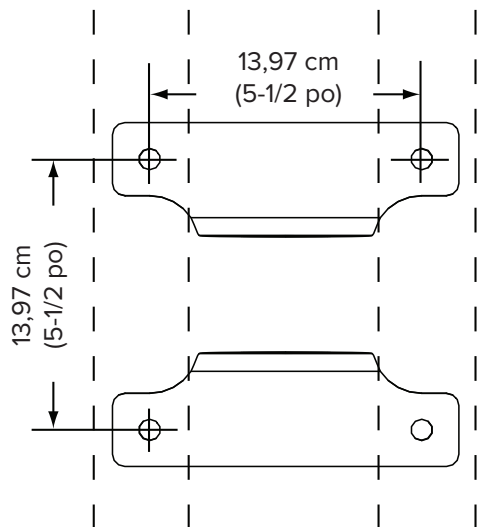


4. Fixer le support supérieur aux fers d'angle

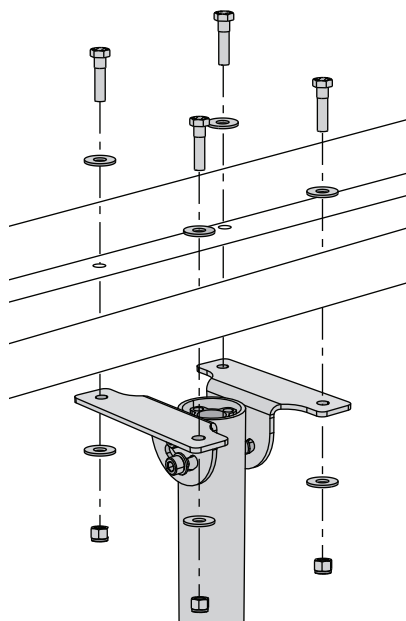
Fixez le support supérieur (avec le tube de rallonge et la cale de montage supérieure fixée ensemble) directement sur les fers d'angle en utilisant la quincaillerie de montage, comme montré. Consultez les schémas ci-dessous pour les distances à respecter entre les fers d'angle. **Serrez la quincaillerie afin qu'elle soit bien ajustée, mais pas trop.**

Quincaillerie de montage :

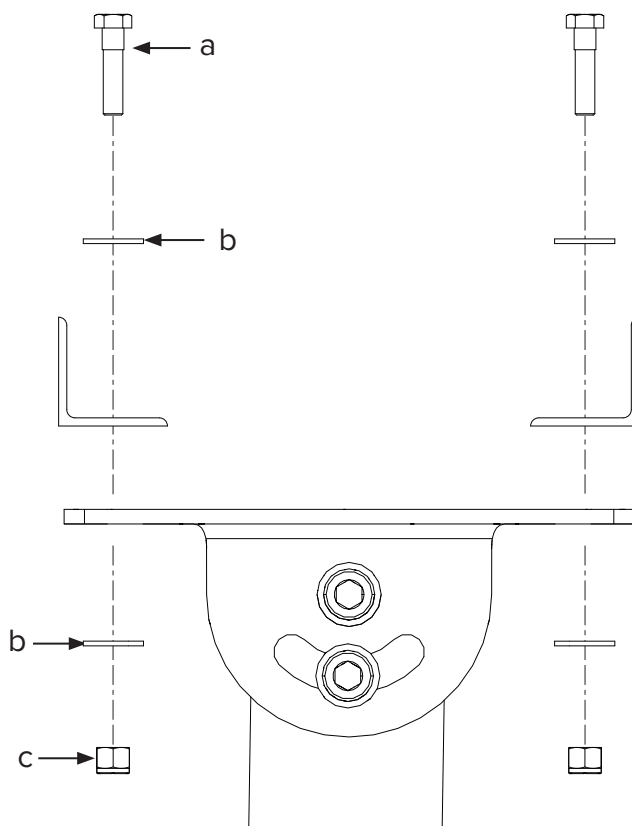
- (4) vis à tête hexagonale M10 x 40 mm
- (8) rondelles plates M10
- (4) écrous à frein élastique M10



Remarque : les lignes pointillées représentent des fers d'angle.



Vue latérale

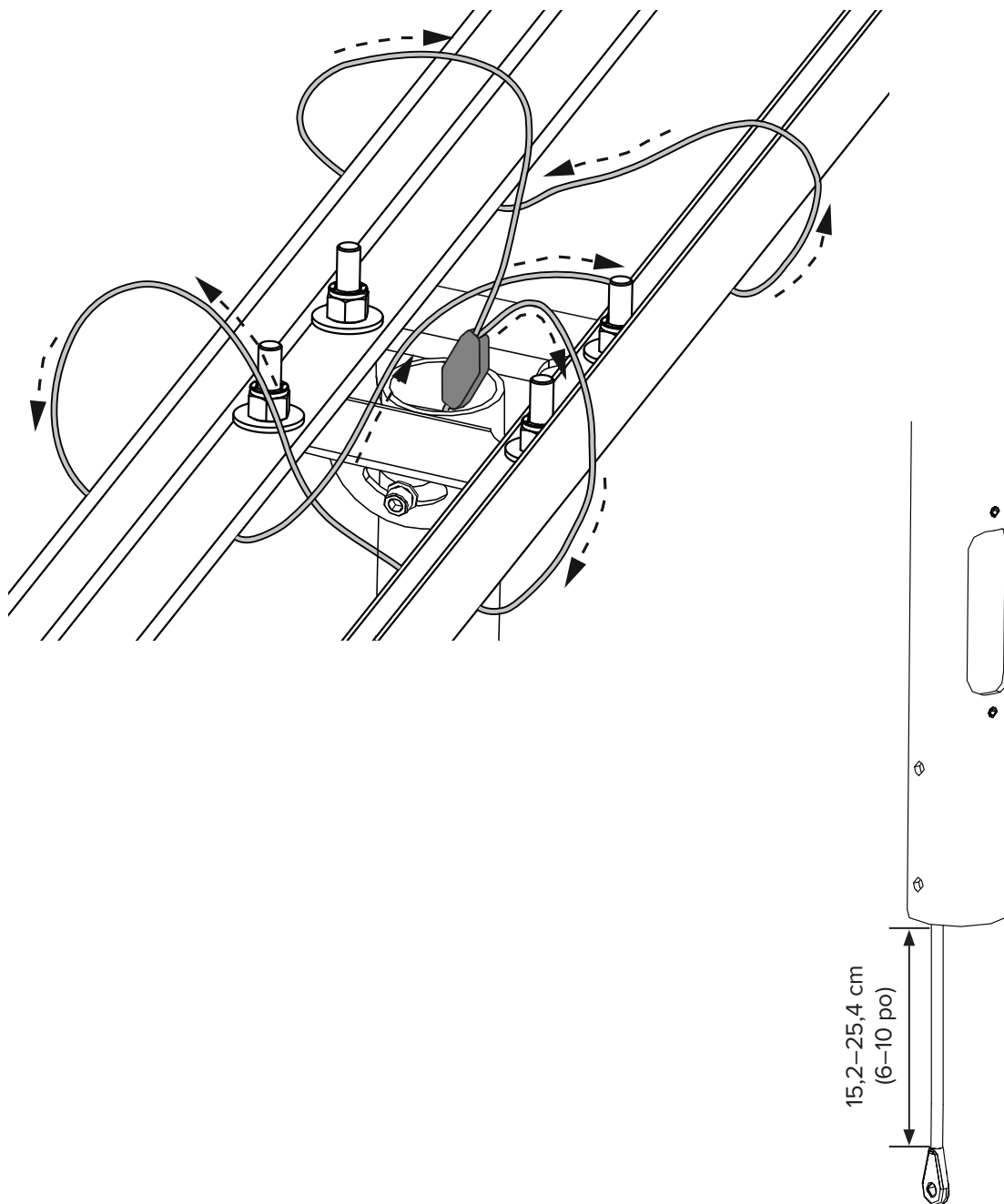


5. Fixer solidement le câble de sécurité

AVERTISSEMENT

Le câble de sécurité constitue un élément essentiel du ventilateur et doit être posé correctement. Si vous avez des questions, communiquez avec le service à la clientèle pour obtenir de l'aide.

- A. Acheminez l'extrémité libre du câble de sécurité dans l'un des deux trous du Gripple® et tirez ensuite le câble dans le Gripple, jusqu'à ce que celui-ci soit appuyé sur le dessus du tube de rallonge.
- B. Enroulez l'élingue de sécurité autour des cornières métalliques, en laissant 15,2 à 25,4 cm (6 à 10 po) de mou.
- C. Acheminez l'extrémité libre du câble de sécurité à travers le trou restant du Gripple et tirez pour serrer.



6. Fixer solidement le câble de sécurité à l'unité de ventilation principale

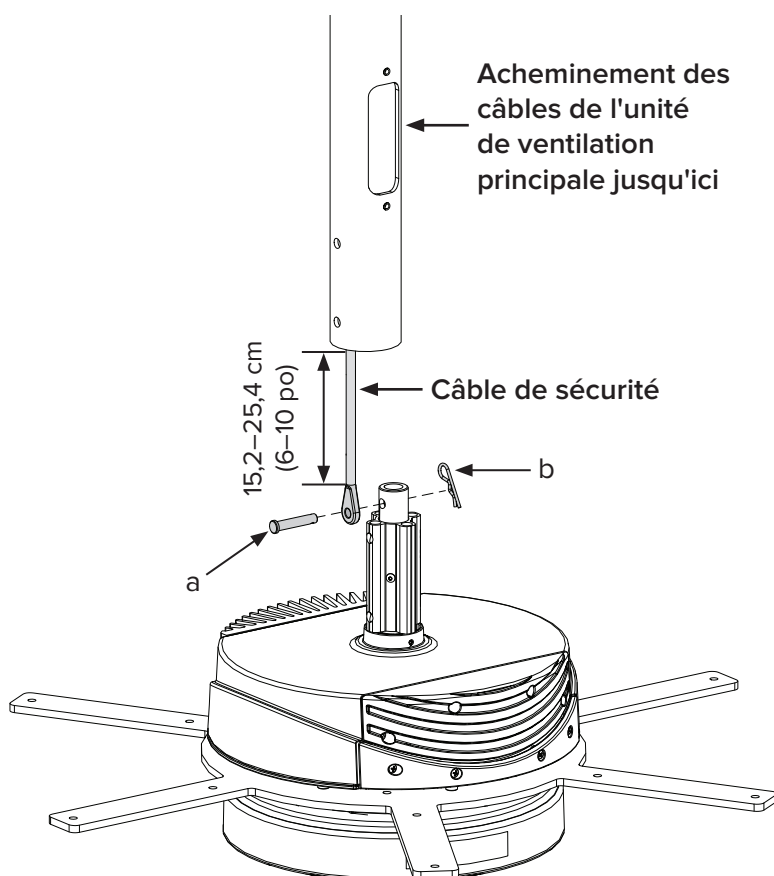
- ⚠ **MISE EN GARDE** : ne retirez pas l'unité de ventilation principale de son emballage protecteur ou déposez-la sur une surface plate avant de l'accrocher.
- ⚠ **MISE EN GARDE** : pour prévenir tout dommage, évitez tout contact avec les fils du stator situés dans le bas de l'unité principale de ventilation.
- ⚠ **MISE EN GARDE** : l'unité de ventilation principale est lourde. Soyez prudents lorsque vous la soulevez.

Soulevez l'unité de ventilation principale directement de son emballage jusqu'au tube de rallonge. Acheminez les trois ensembles de câbles de l'unité de ventilation principale jusqu'au bas du tube de rallonge et faites ressortir le tout par le trou d'accès rectangulaire, situé près de la partie inférieure du tube. Assurez-vous que les fils soient positionnés à l'intérieur des rainures sur l'axe du moteur. *Remarque* : Le câblage n'apparaît pas dans les illustrations ci-dessous.

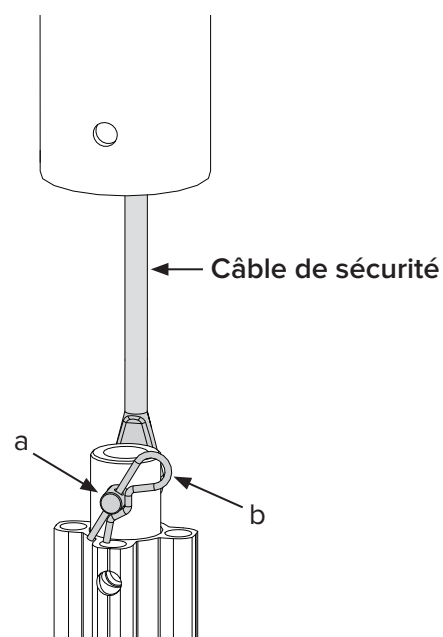
Tout en soutenant l'unité de ventilation principale, fixez solidement le câble de sécurité à l'axe du moteur en utilisant la quincaillerie du câble de sécurité, comme montré. Insérez l'axe à épaulement dans le serre-câble du câble de sécurité et l'axe du moteur. Insérez ensuite la patte droite de la goupille fendue dans le petit trou de l'axe à épaulement.

Quincaillerie pour câble de sécurité :

- Axe à épaulement 5/16 po
- Goupille fendue



Goupille fendue insérée dans l'axe à épaulement



7. Fixer l'unité de ventilation principale au tube de rallonge

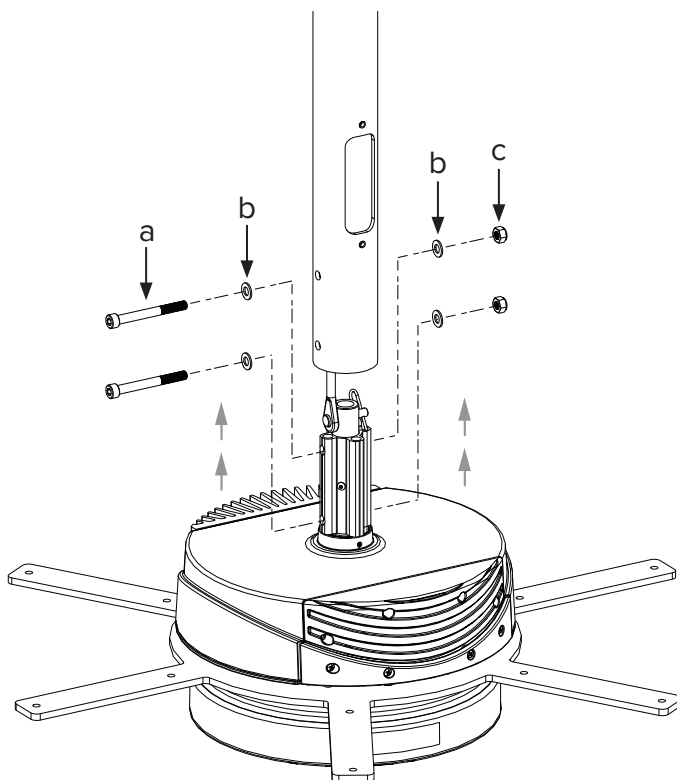
- ⚠ **MISE EN GARDE** : l'unité de ventilation principale est lourde. Soyez prudents lorsque vous la soulevez.
- ⚠ **MISE EN GARDE** : faites attention de ne pas pincer le câblage du ventilateur entre le tube de rallonge et l'unité de ventilation principale lors de l'installation.
- ⚠ **MISE EN GARDE** : ne jetez pas l'emballage ni la mousse de l'unité de ventilation principale. Ils devront être réutilisés si le ventilateur doit être déplacé ou relocalisé.

Fixez l'unité de ventilation principale au tube de rallonge en utilisant la quincaillerie de l'unité de ventilation principale, comme montré. *Remarque* : le câblage n'apparaît pas dans l'illustration ci-dessous.

Serrez la quincaillerie à un couple de 33,9 Nm (25 lb-pi) en utilisant une clé hexagonale de 6 mm et une clé dynamométrique avec une douille de 13 mm.

Quincaillerie pour l'unité de ventilation principale :

- a. (2) vis à tête creuse M8 x 75 mm
- b. (4) rondelles plates M8
- c. (2) écrous à frein élastique M8

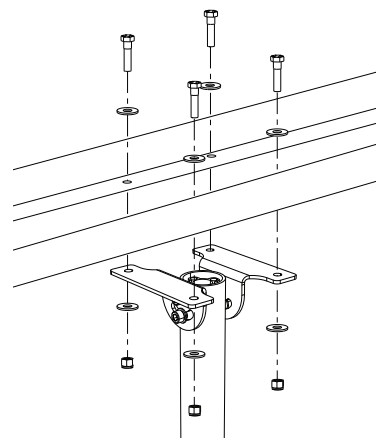


8. Serrer solidement la quincaillerie

Après avoir fixé l'unité de ventilation principale au tube de rallonge, serrez solidement la quincaillerie suivante selon le couple indiqué.

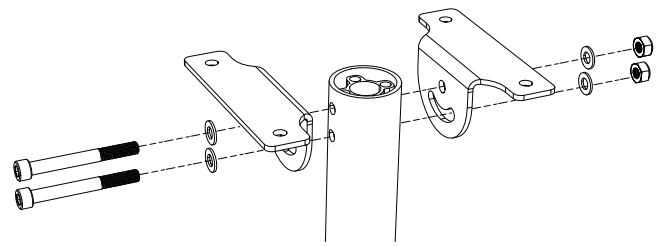
Serrez la quincaillerie de montage à un couple de 33,9 Nm (25 lb-pi) en utilisant une clé hexagonale de 17 mm et une clé dynamométrique avec une douille de 17 mm.

Quincaillerie de montage



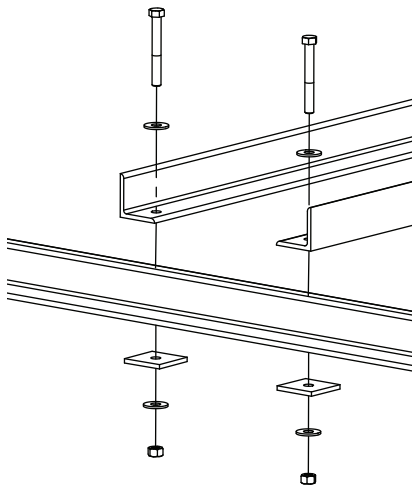
Permettez au tube de rallonge de pendre librement et de s'équilibrer par lui-même. Serrez ensuite la quincaillerie du tube de rallonge à un couple de 33,9 Nm (25 lb-pi) en utilisant une clé hexagonale de 8 mm et une clé dynamométrique avec une douille de 17 mm.

Quincaillerie du tube de rallonge

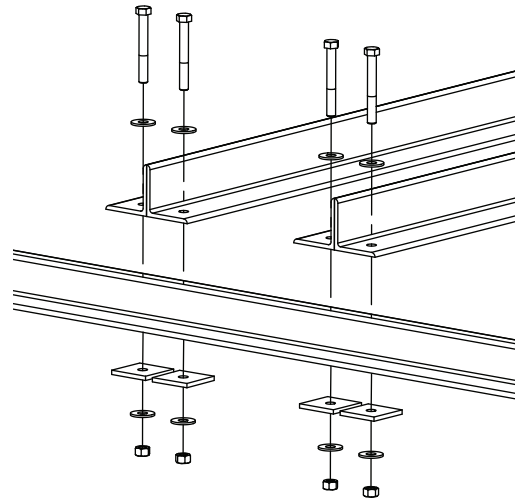


Serrez toute la quincaillerie sécurisant les fers d'angle à la structure du toit à un couple de 54,2 Nm (40 lb-pi) en utilisant une clé hexagonale de 3/4 po ou 19 mm et une clé dynamométrique avec une douille de 3/4 po ou 19 mm.

Fers d'angle uniques

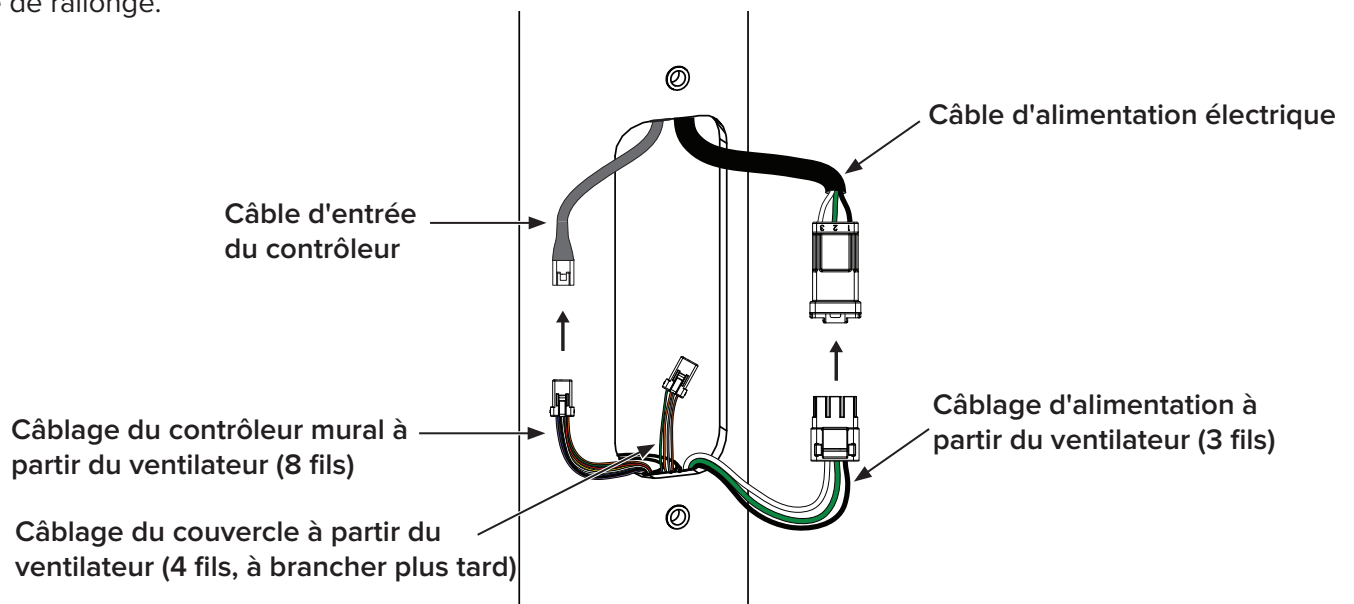


Fers d'angle doubles



9. Brancher l'alimentation et le faisceau de câblage du contrôleur mural

Branchez le faisceau de câblage mâle du faisceau de câblage du ventilateur dans les faisceaux de câblage femelle et du câble d'entrée du contrôleur, comme montré. Insérez soigneusement le faisceau de câblage dans le tube de rallonge.



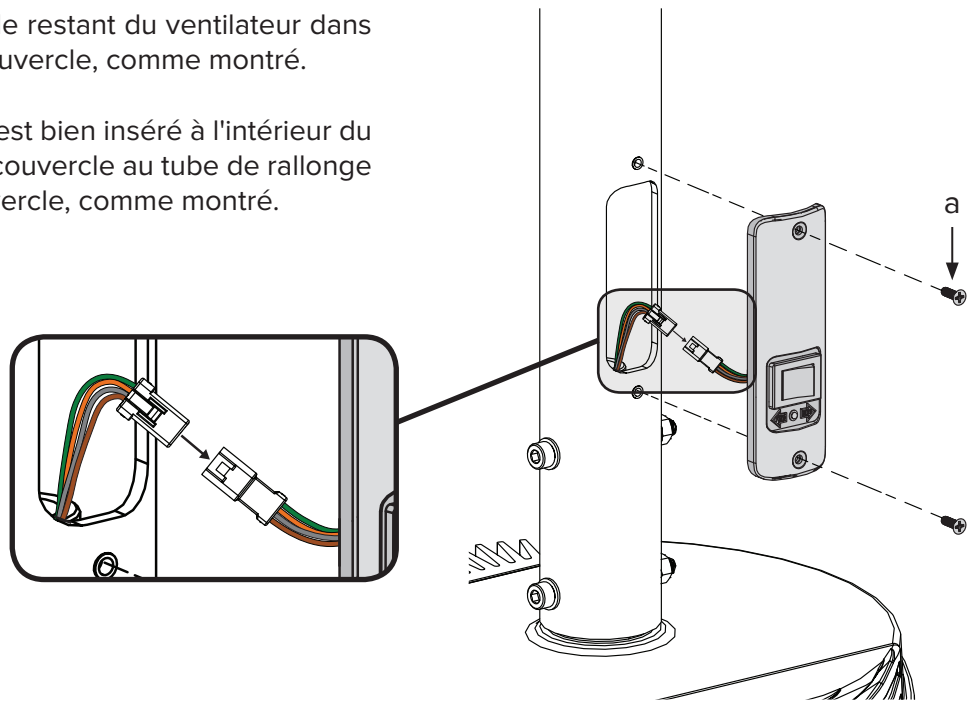
10. Poser le couvercle

Branchez le faisceau de câble mâle restant du ventilateur dans le faisceau de câble femelle du couvercle, comme montré.

Assurez-vous que tout le câblage est bien inséré à l'intérieur du tube de rallonge. Fixez ensuite le couvercle au tube de rallonge en utilisant la quincaillerie du couvercle, comme montré.

Quincaillerie pour couvercle :

a. (2) vis à tête plate 8-32 x 1/2 po



11. Poser le support de montage du couvercle inférieur

AVERTISSEMENT

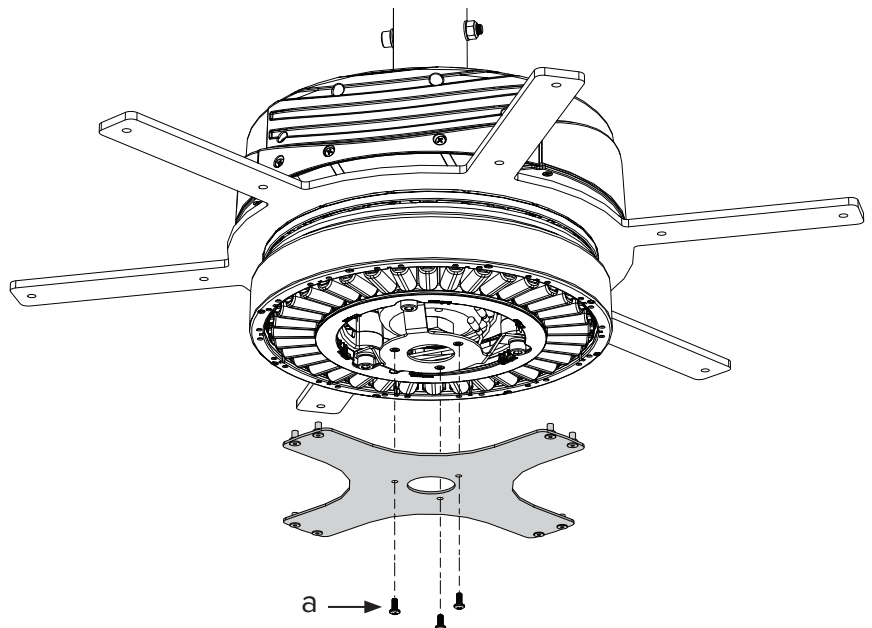
Retirez la pellicule protectrice du couvercle à partir du bas de l'unité de ventilation principale et assurez-vous que les trois fils du stator situés dans la partie inférieure de l'unité sont bien insérés avant d'installer le support de montage. Faites attention de ne pas endommager les fils du stator pendant l'installation du support de montage et du couvercle inférieur.

⚠ AVERTISSEMENT : débranchez l'alimentation électrique du ventilateur avant d'installer le support de montage du couvercle inférieur et le couvercle inférieur.

Fixez le support de montage du couvercle inférieur au support situé dans le bas de l'unité de ventilation principale en utilisant la quincaillerie du couvercle inférieur, comme montré. Fixez lâchement les trois vis et serrez-les ensuite.

Quincaillerie pour couvercle inférieur

a. (3) vis à tête ronde bombée 8-32 x 3/8 po



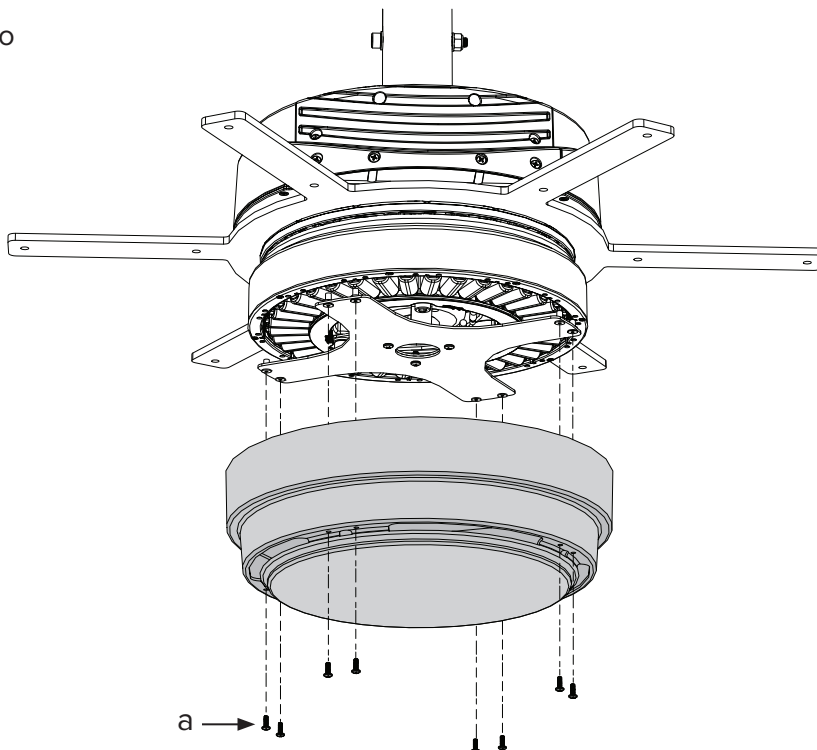
12. Poser le couvercle inférieur

⚠ AVERTISSEMENT : débranchez l'alimentation électrique du ventilateur avant d'installer le support de montage du couvercle inférieur et le couvercle inférieur.

Fixez le couvercle inférieur au support de montage inférieur en utilisant la quincaillerie du couvercle inférieur, comme montré. Fixez lâchement les huit vis et serrez-les ensuite.

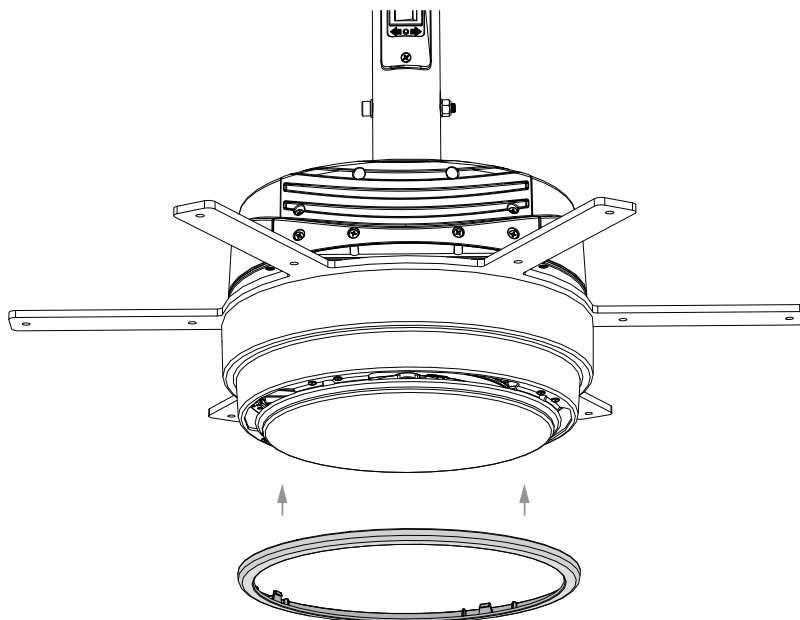
Quincaillerie pour couvercle inférieur

a. (8) vis à tête ronde bombée 6-32 x 3/8 po



13. Poser l'anneau de garniture

Enclenchez l'anneau de garniture sur le couvercle inférieur, comme montré.



14. Fixer le contrôleur mural

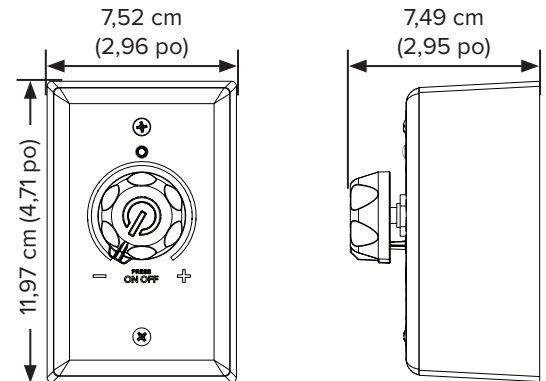
⚠ AVERTISSEMENT : pour réduire le risque de choc électrique, le câblage devrait être effectué par un technicien qualifié! Un assemblage inadéquat pourrait causer un choc électrique ou endommager le moteur et le contrôleur! Risque de choc électrique!

⚠ AVERTISSEMENT : l'installation d'un ventilateur Big Ass Fan doit être effectuée conformément aux exigences précisées dans ce manuel d'installation et conformément à toutes autres exigences supplémentaires établies par le *National Electric Code (NEC)*, *ANSI/NFPA 70-2014*, et tous les codes municipaux. La conformité aux codes est VOTRE responsabilité!

A. Sélectionner un emplacement de montage

Veuillez suivre les directives suivantes lorsque vous sélectionnez un emplacement pour le contrôleur mural :

- Montez le contrôleur afin que le ventilateur soit visible de l'endroit où le contrôleur sera posé.
- Installez le contrôleur sur une surface plane facilement accessible, exempte de toute vibration et d'où il sera éloigné de tous objets étrangers ou d'équipement mobile.

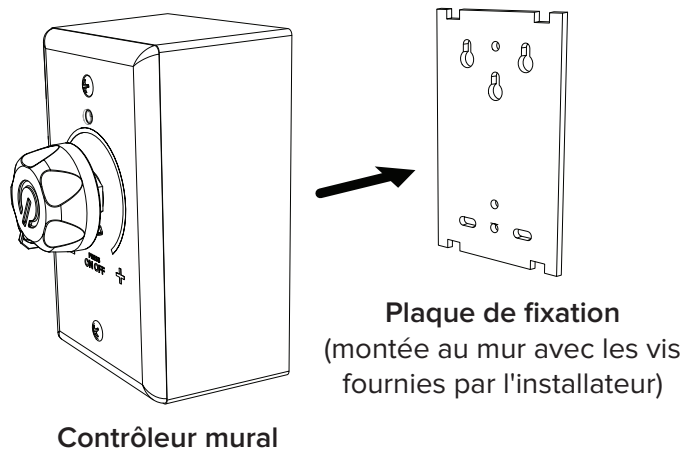


B. Fixer le contrôleur mural

Le contrôleur mural peut être monté en surface sur un mur ou sur une boîte de jonction fournie par l'installateur.

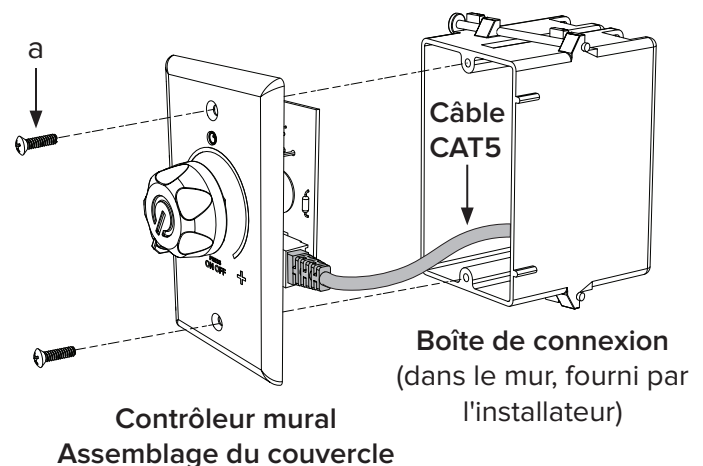
Montage au mur

1. Fixez la plaque de fixation du contrôleur mural au mur en utilisant des vis de montage appropriées et fournies par l'installateur. Utilisez n'importe lequel des trous de montage situé sur la plaque de fixation.
2. Acheminez le câble CAT5 fourni dans n'importe laquelle des alvéoles défonçables disponibles sur le contrôleur mural et connectez-le au connecteur CAT5 situé à l'intérieur du contrôleur. *Remarque : les alvéoles défonçables et le câble CAT5 n'apparaissent pas dans l'illustration ci-dessous.*
3. Enclenchez le contrôleur sur la plaque de fixation, comme montré.



Montage à une boîte de connexion

1. Retirez l'assemblage de couvercle du contrôleur mural en dévissant les deux vis situés sur le couvercle. Mettez de côté les deux vis.
2. Acheminez le câble CAT5 fourni dans la boîte de connexion et connectez-le au connecteur CAT5 situé sur l'assemblage du couvercle.
3. Montez l'assemblage du couvercle à la boîte de connexion en utilisant les deux vis à tête ovale 6-32 x 1/2 po (a), comme montré.



15. Câbler le ventilateur et le contrôleur mural

⚠ AVERTISSEMENT : pour réduire le risque de choc électrique, le câblage devrait être effectué par un technicien qualifié! Un assemblage inadéquat pourrait causer un choc électrique ou endommager le moteur et le contrôleur!

Assurez-vous que le câblage d'alimentation est acheminé au site d'installation. La dimension minimale du circuit d'alimentation est de 10 A @ 110 à 125 V, 1 Φ . Se reporter aux sections *Schémas de câblage et Directives électriques* pour les instructions et directives sur le câblage de votre ventilateur.

16. Poser les pales

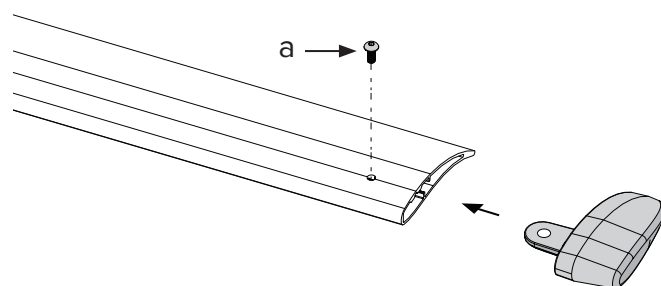
⚠ AVERTISSEMENT : débranchez l'alimentation électrique du ventilateur avant d'installer les pales.

A. Fixer les pointes des pales aux pales

Fixez une pointe de pale à chacun des pales en utilisant la quincaillerie pour pointe de pale, comme montré. Fixez solidement les vis en utilisant une clé de 3 mm. Fixez les pointes de pales aux pales avant de fixer les pales au ventilateur.

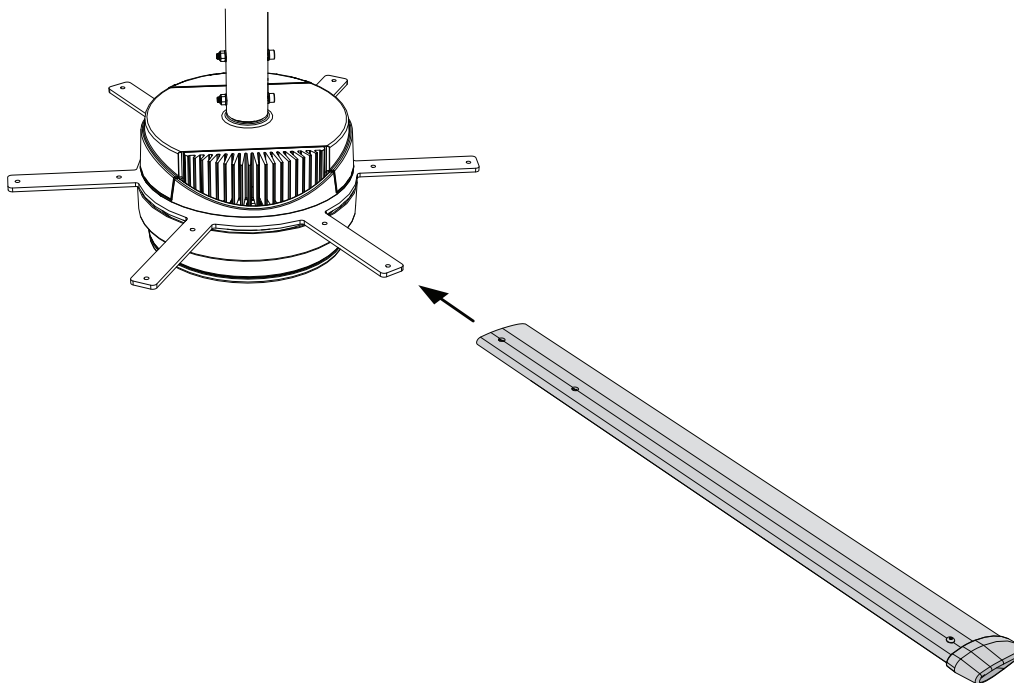
Quincaillerie pour pointe de pale :

a. (6) vis à tête ronde M5 x 12 mm



B. Positionner les pales

Glissez les pales sur les onglets du moyeu de ventilateur, comme montré.



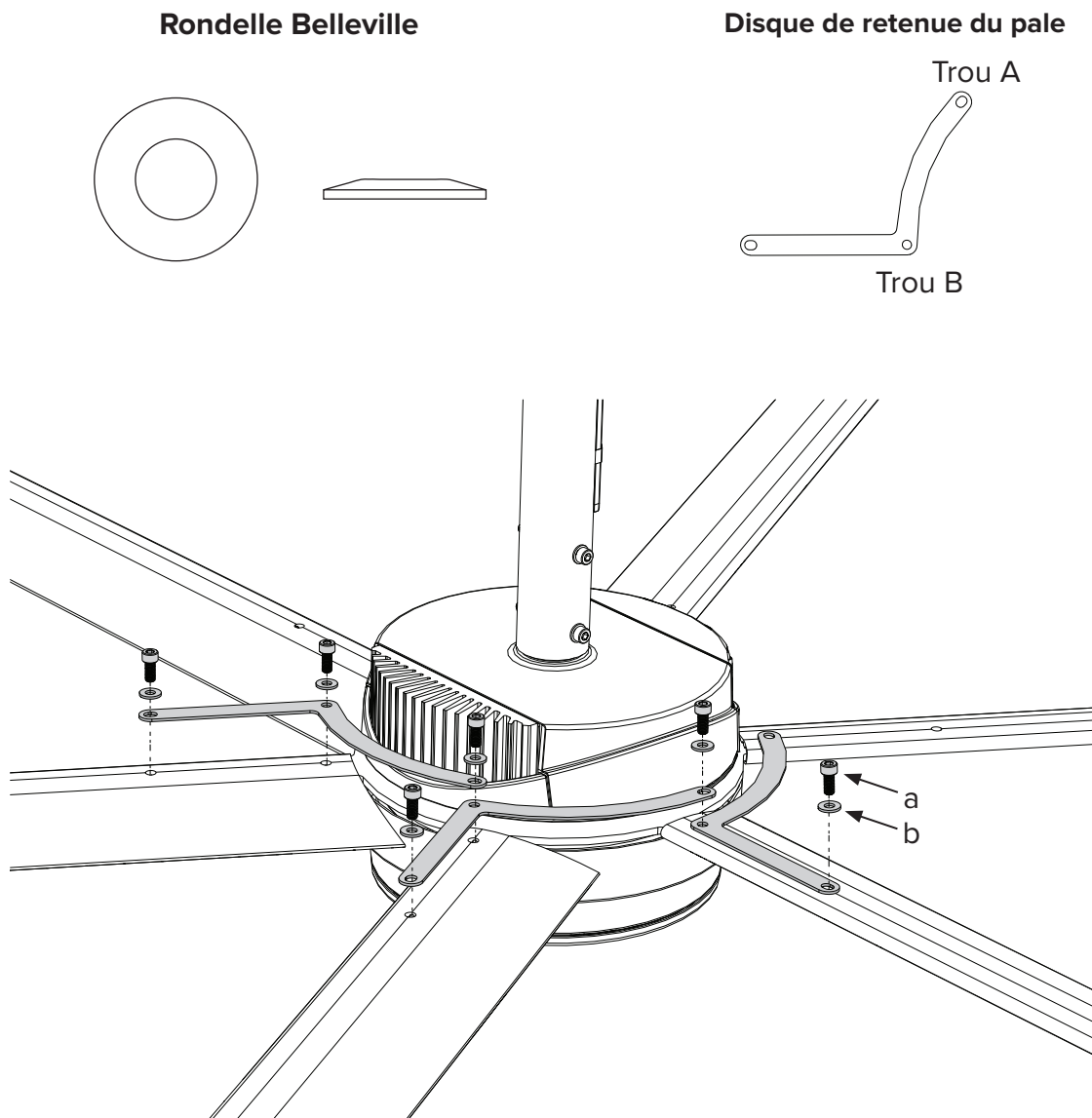
C. Fixer solidement les pales à l'unité de ventilation principale

Fixez les six disques de retenue des pales en utilisant la quincaillerie pour pale. En tournant dans le sens des aiguilles d'une montre autour du moyeu de ventilateur, positionnez les extrémités des disques de retenue des pales comme montré. Le trou A du pale devrait être positionné au-dessus du trou B. Ne serrez pas les boulons tant que tous les disques de retenue ne sont pas fixés!

Serrez les boulons sur l'extérieur du périmètre à un couple de 39,3 N (29 lb-pi) en utilisant une clé dynamométrique avec une douille à tête creuse à six pans de 6 mm. Une fois les boulons serrés au bon couple, serrez les boulons le long du périmètre intérieur à couple de 38,3 Nm (29 lb-pi)

Quincaillerie pour pale :

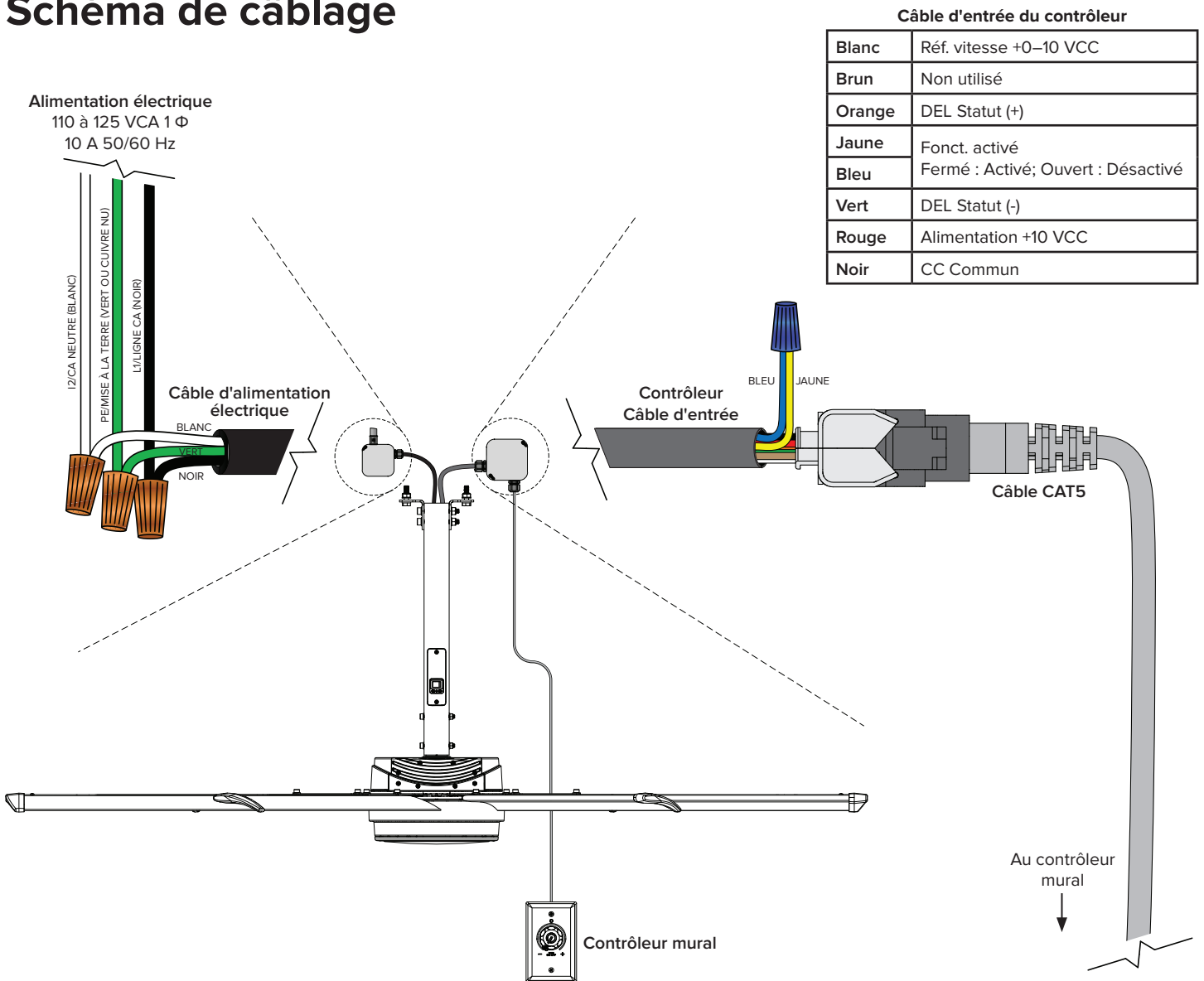
- a. (12) vis à tête creuse M8 x 18 mm
- b. (12) rondelles Belleville 8 mm



SCHÉMAS ÉLECTRIQUES ET DIRECTIVES ÉLECTRIQUES

- ⚠ **AVERTISSEMENT** : pour réduire le risque de choc électrique, le câblage devrait être effectué par un technicien qualifié! Un assemblage inadéquat pourrait causer un choc électrique ou endommager le moteur et le contrôleur! Risque de choc électrique!
- ⚠ **AVERTISSEMENT** : l'installation d'un ventilateur Big Ass Fan doit être effectuée conformément aux exigences précisées dans ce manuel d'installation et conformément à toutes autres exigences supplémentaires établies par le *National Electric Code (NEC)*, *ANSI/NFPA 70-2014*, et tous les codes municipaux. La conformité aux codes est **VOTRE** responsabilité!
- ⚠ **MISE EN GARDE** : la garantie du produit ne couvrira pas les dommages ou la défaillance causés par une installation inadéquate.
- ⚠ **AVERTISSEMENT** : soyez prudents et utilisez le bon sens lorsque vous alimentez le ventilateur. **Ne branchez pas le ventilateur à une source d'alimentation endommagée ou dangereuse. Ne tentez pas de résoudre vous-même un mauvais fonctionnement électrique ou une défaillance électrique. Communiquez avec Big Ass Fans si vous avez des questions concernant l'installation électrique de ce ventilateur.**

Schéma de câblage



Câblage : Relais d'alarme d'incendie

⚠ AVERTISSEMENT : une installation inadéquate peut causer un choc électrique ou endommager le moteur et les contrôles. Un électricien qualifié doit effectuer l'installation.

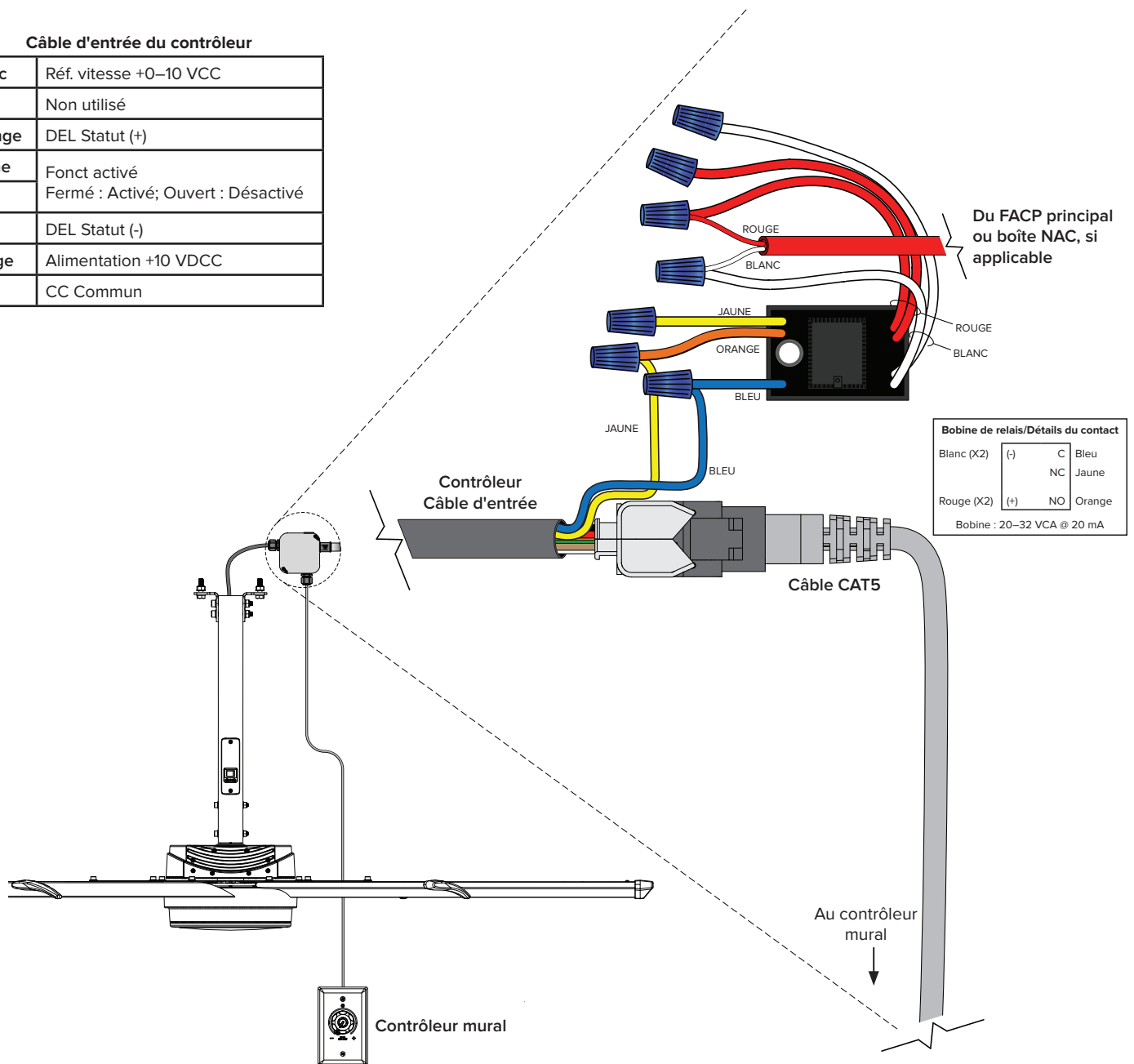
Si l'installation du ventilateur est faite aux États-Unis, le ventilateur doit être installé conformément aux National Fire Protection Association (NFPA) :

- Environ quatre arroseurs automatiques doivent entourer le ventilateur.
- La distance verticale du ventilateur au déflecteur de l'arroseur doit être d'au moins 91,4 cm (3 pi).
- Le ventilateur doit être enclenché afin de s'éteindre immédiatement lors de l'arrivée d'un signal de débit d'eau provenant du système d'alarme.

Le relais d'incendie est fourni pour les ventilateurs qui seront posés dans des bâtiments possédant un système d'arroseurs automatiques. Le relais d'incendie intègre le ventilateur au système d'arroseurs et éteint le ventilateur lors de l'arrivée d'un signal d'alarme provenant du système. *Remarque : dans la configurée montrée, l'alimentation doit être appliquée au relais d'incendie afin d'activer le fonctionnement du ventilateur.*

Câble d'entrée du contrôleur

Blanc	Réf. vitesse +0-10 VCC
Brun	Non utilisé
Orange	DEL Statut (+)
Jaune	Fonct activé
Bleu	Fermé : Activé; Ouvert : Désactivé
Vert	DEL Statut (-)
Rouge	Alimentation +10 VDCC
Noir	CC Commun



FONCTIONNEMENT DU VENTILATEUR

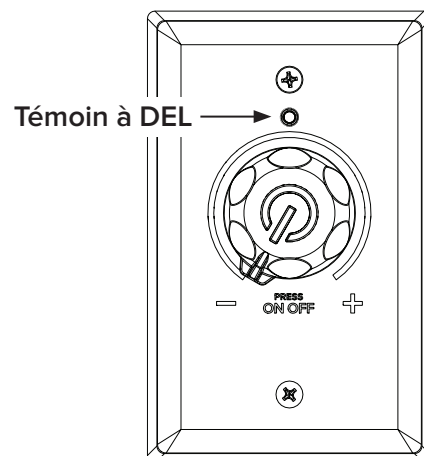
Pour mettre en marche le ventilateur, appuyez sur le bouton du contrôleur situé sur le contrôleur mural. *Remarque : le témoin à DEL, situé dans le haut du contrôleur, s'allume lorsqu'il est alimenté. Le témoin à DEL clignotera un code d'erreur si le ventilateur a un problème. Se reporter à la section Dépannage pour les codes d'erreurs du témoin DEL.*

Pour arrêter le ventilateur, appuyez sur le bouton du contrôleur.

Pour augmenter la vitesse du ventilateur, tournez le bouton dans le sens horaire **+**.

Pour diminuer la vitesse du ventilateur, tournez le bouton dans le sens anti-horaire **-**.

Remarque : le ventilateur peut prendre de 30 à 60 secondes pour commencer à tourner une fois mis en marche. Il est normal de constater un léger soubresaut vers l'avant et l'arrière lors du démarrage puisque le ventilateur doit se positionner relativement au stator du moteur.

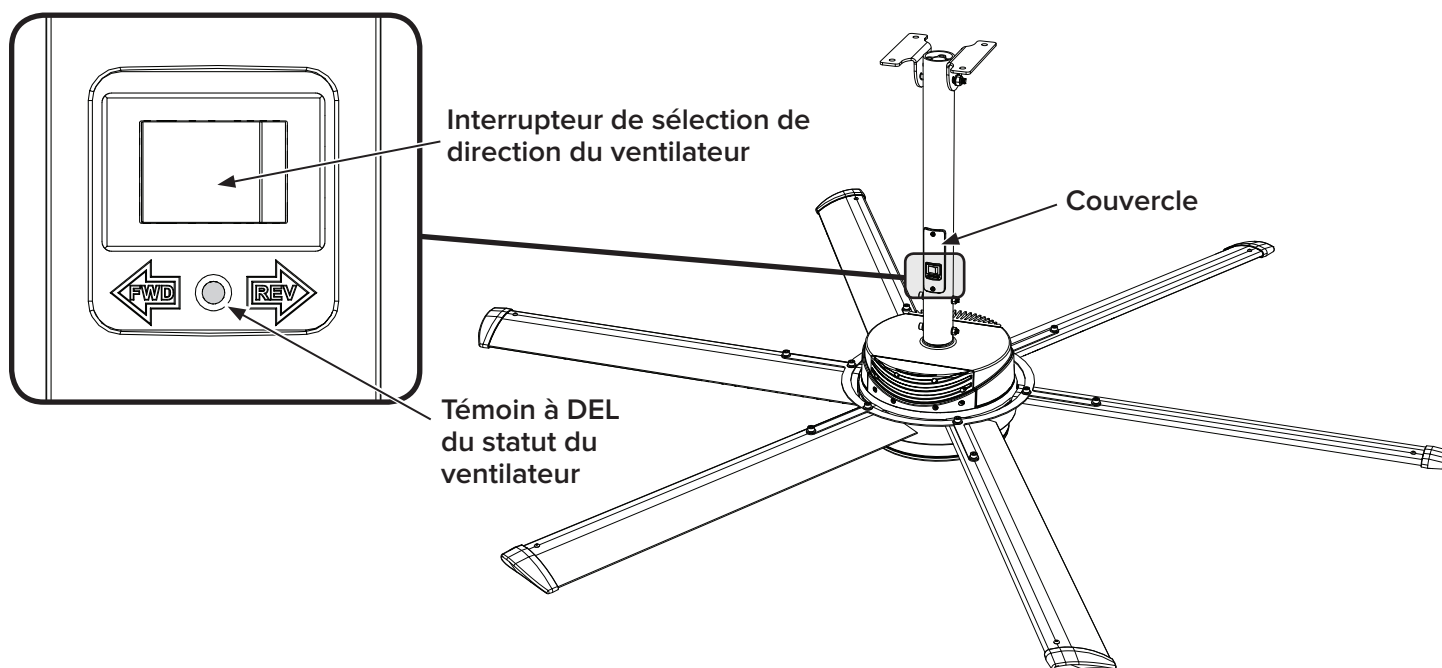


Modifier la direction du ventilateur

AVERTISSEMENT

Big Ass Fans recommande de faire fonctionner le ventilateur dans la direction avant. Le ventilateur devrait tourner dans le sens anti-horaire lorsque vous le regardez d'en dessous.

Pour inverser la direction du ventilateur, coupez le courant au ventilateur. Sélectionnez la direction du ventilateur en utilisant l'interrupteur de sélection de direction du ventilateur, situé sur le couvercle du ventilateur. Démarrez de nouveau le ventilateur. Pour les définitions de l'état du ventilateur à l'aide du témoin à DEL, se reporter à la section Dépannage.



Un déplacement à basse vitesse signifie moins d'énergie nécessaire pour fonctionner et se traduit donc en économies d'énergie sur une base annuelle. Suivez les procédures ci-dessous pour maximiser le fonctionnement de votre ventilateur Big Ass Fan.

Pour assurer une rotation adéquate du ventilateur :

1. Mettez le ventilateur en marche.
2. Assurez-vous que le ventilateur tourne dans le sens anti-horaire (lorsque vous le regardez d'en dessous).
3. Si le ventilateur ne tourne pas dans la direction voulue, inversez la direction de celui-ci. Se reporter à la page précédente pour des instructions sur la façon de changer la direction de rotation.

Hiver

Dans les espaces où les plafonds sont hauts, les ventilateurs Big Ass Fan 2025, Big Ass Fan 3025, et Big Ass Fan 3600 renvoient la chaleur du plafond vers le plancher plus efficacement que les plus petits ventilateurs pour plafond. Pour maximiser les économies d'énergie, le ventilateur devrait fonctionner continuellement lors de la période de chauffage et ne devrait pas fonctionner en mode inversé (sens horaire). Les ventilateurs Big Ass Fans sont conçus pour fonctionner efficacement à de très basses vitesses. Faire fonctionner votre ventilateur dans la direction avant (sens anti-horaire) très lentement procurera suffisamment de mouvement d'air pour faire circuler l'air chaud du plafond vers le plancher sans causer de courant d'air.

Tenez-vous directement sous les pointes des pales avec une main tendue. Si vous sentez un courant d'air, diminuez légèrement la vitesse du ventilateur. Répétez jusqu'à ce que le courant d'air disparaisse.

Été

L'effet refroidissant créé par les ventilateurs Big Ass Fan 2025, Big Ass Fan 3025, et Big Ass Fan 3600 maintient un confort pour les occupants, avec le thermostat à un réglage plus haut. Lors de la période de refroidissement, chaque degré en plus sur le thermostat du système de climatisation réduit la consommation d'énergie de 1,5 % à 2 %. Pour minimiser l'énergie utilisée pendant la période de refroidissement, faites fonctionner le ventilateur seulement lorsque les occupants sont présents dans la bâtisse.

Augmentez la vitesse du ventilateur jusqu'à ce que vous atteignez la vitesse maximale ou désirée du ventilateur. Dans les établissements avec air climatisé, augmentez le réglage du thermostat par incrément de 2 à 7°F (1 à 3,8°C) pour réduire la consommation d'énergie et ainsi économiser de l'énergie.

ENTRETIEN PRÉVENTIF

⚠ AVERTISSEMENT : avant d'entretenir ou de nettoyer l'unité, éteindre l'alimentation à partir du panneau d'entretien et verrouiller le débranchement du service pour éviter toute remise sous tension de façon accidentelle. Lorsqu'il est impossible de verrouiller le dispositif de débranchement du service, fixer solidement et bien à la vue un dispositif d'avertissement, comme une étiquette, sur le panneau d'entretien.

⚠ AVERTISSEMENT : lorsque le service ou le remplacement d'un composant dans le ventilateur nécessite le retrait ou le débranchement d'un dispositif de sécurité, le dispositif de sécurité doit être posé de nouveau ou remonté comme précédemment posé.

Veillez prendre un moment chaque année pour effectuer sur votre ventilateur l'inspection d'entretien préventif suivante pour vous assurer que son fonctionnement est sécuritaire. Avant de communiquer avec le service à la clientèle, essayez de résoudre le problème à l'aide des procédures de la section Dépannage. Si vous avez des questions, communiquez avec le service à la clientèle.

Entretien préventif annuel

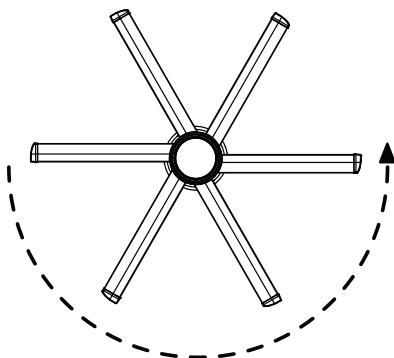
Effectuez les procédures d'entretien suivantes chaque année en utilisant la Liste de vérifications pour entretien annuel.

1. Assurez-vous que tous les boulons de montage supérieurs sont présents et couplés à 33,9 Nm (25 lb-pi).
2. Assurez-vous que les pales sont bien fixés l'un à l'autre par les disques de retenues des pales.
3. Assurez-vous que les 12 boulons fixant les pales au ventilateur sont bien présents et couplés à 39,3 NM (29 lb-pi).
4. Assurez-vous que les deux boulons fixant le tube de rallonge à l'unité de ventilation principale sont bien présents et couplés à 33,9 Nm (25 lb-pi).
5. Assurez-vous que toute la quincaillerie des pointes de pales est bien fixée.

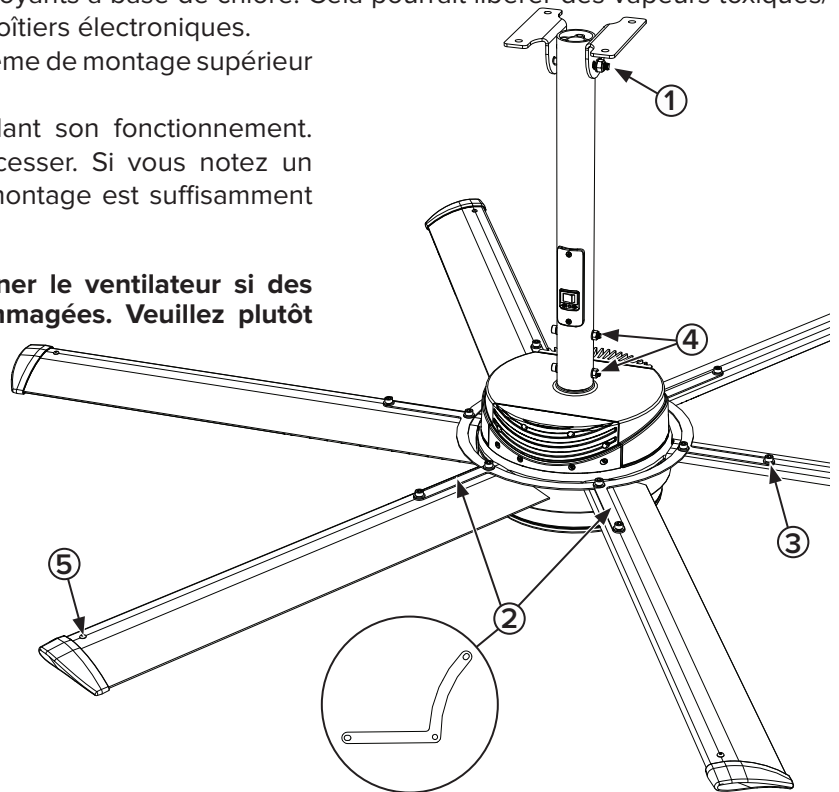
Entretien préventif général

- Assurez-vous d'une rotation adéquate du ventilateur. Pour être efficace, le ventilateur doit tourner dans le sens anti-horaire lorsque vous le regardez du plancher.
- Époussetez les pales et le moteur. Si désiré, utilisez un nettoyant doux ou un produit dégraissant pour polir les pales. N'utilisez pas de Clorox® ou d'autres nettoyants à base de chlore! Cela pourrait libérer des vapeurs toxiques/mortelles. N'utilisez pas de nettoyants sur les boîtiers électroniques.
- Assurez-vous que le câble de sécurité et le système de montage supérieur sont bien fixés.
- Observez le mouvement du ventilateur pendant son fonctionnement. Le ventilateur ne devrait pas osciller ou précesser. Si vous notez un oscillation, assurez-vous que la structure de montage est suffisamment rigide pour soutenir le ventilateur.

⚠ AVERTISSEMENT : ne faites pas fonctionner le ventilateur si des composants sont manquantes ou endommagées. Veuillez plutôt communiquer avec le service à la clientèle.



Vue d'en dessous



DÉPANNAGE

⚠ AVERTISSEMENT : lorsque l'entretien ou le remplacement d'un composant dans le ventilateur nécessite le retrait ou le débranchement d'un dispositif de sécurité, le dispositif de sécurité doit être posé de nouveau ou remonté comme précédemment posé.

⚠ MISE EN GARDE : utilisez cette unité pour les raisons pour lesquelles elle a été conçue par le fabricant. Si vous avez des questions, communiquez avec le fabricant.

⚠ AVERTISSEMENT : avant d'entretenir ou nettoyer l'unité, éteindre l'alimentation à partir du panneau d'entretien et verrouiller le débranchement du service pour éviter toute remise sous tension de façon accidentelle. Lorsqu'il est impossible de verrouiller le dispositif de débranchement du service, fixer solidement et bien à la vue un dispositif d'avertissement, comme une étiquette, sur le panneau d'entretien.

Dépannage général

Pour des questions concernant le produit ou des questions pour le service à la clientèle, veuillez appeler notre numéro sans frais (1 855 490-3048).

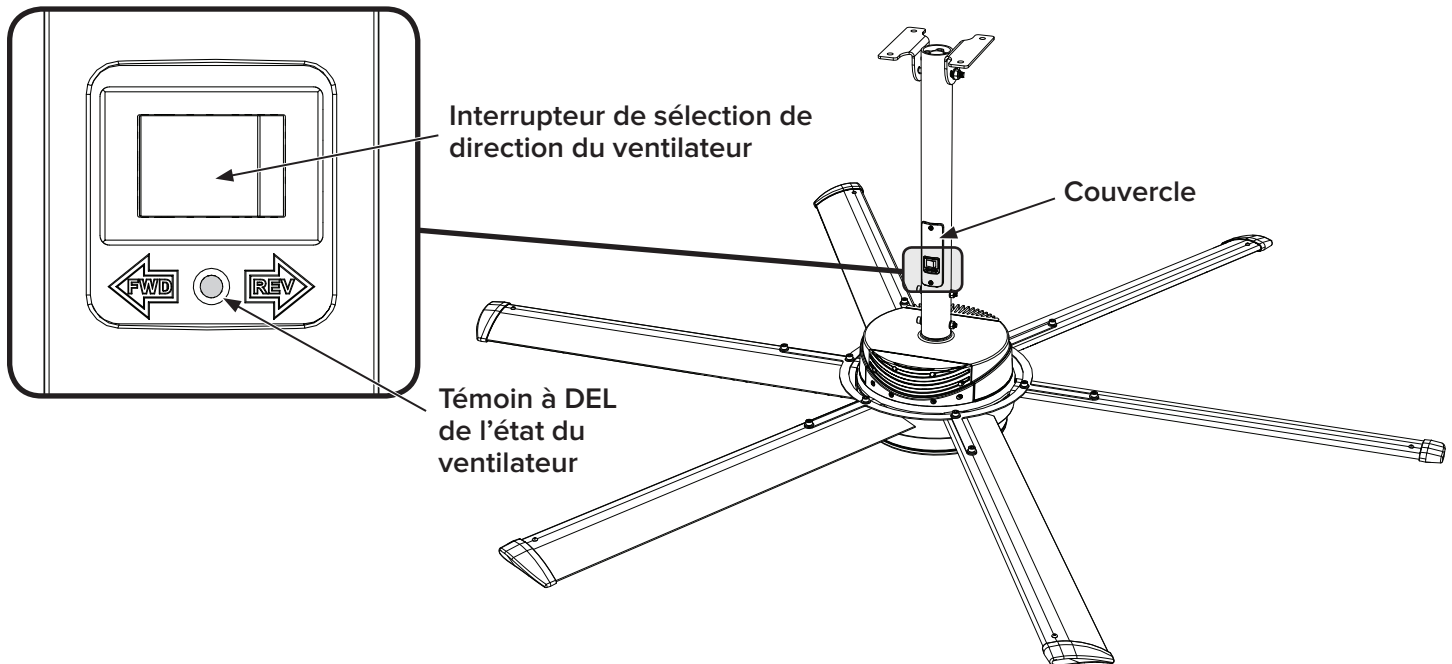
Certains problèmes peuvent être résolus avant de faire une demande de service. Réviser les astuces de dépannage ci-dessous avant de communiquer avec le service à la clientèle pour soutien technique.

Symptôme	Solution(s) possible(s)
<p><i>Un bruit de claquement vient du ventilateur.</i></p> <p>Le bruit de pale provient des pales qui ne sont pas serrés au couple indiqué.</p>	<p>Éteignez le ventilateur à partir du panneau d'entretien et verrouillez le débranchement du service. S'il est impossible de le verrouiller, installez un dispositif d'avertissement évident. Serrez la quincaillerie des pales au couple de 39,3 Nm (29 lb-pi). Si le bruit de claquement ne disparaît pas, assurez-vous que les pales n'entrent pas en contact l'une avec l'autre. Si c'est le cas, communiquez avec le service à la clientèle.</p>
<p><i>Le ventilateur ne démarre pas.</i></p>	<p>Vérifiez les points suivants :</p> <ul style="list-style-type: none">• Tous les fils sont branchés correctement.• Le fil bleu et le fil jaune du câble d'entrée du contrôleur sont connectés ensemble. Se reporter aux sections Schémas de câblage et Directives électriques pour tous les détails concernant le câblage.• Le contrôleur mural est alimenté.• L'alimentation électrique est adéquate et fonctionnelle.• Tous les fusibles fonctionnent. Si un fusible est brûlé, se reporter à la section Remplacement de fusibles. <p>Si le ventilateur ne démarre toujours pas, communiquez avec le service à la clientèle.</p>
<p><i>Le témoin à DEL du contrôleur mural clignote.</i></p> <p>Le témoin à DEL clignotera un code d'erreur si le ventilateur a un problème.</p>	<p>Se reporter à la page précédente pour les descriptions et solutions possibles des codes d'erreur du ventilateur.</p>
<p><i>Le ventilateur fait un soubresaut au démarrage.</i></p>	<p>Cela est normal et peut se produire de temps à autre au démarrage puisque le ventilateur doit se positionner relativement au stator du moteur. Un léger soubresaut vers l'avant et l'arrière n'affecte pas le fonctionnement du ventilateur.</p>

Dépannage électrique

Définitions des témoins à DEL de l'état du ventilateur

L'interrupteur de sélection de direction du ventilateur et le témoin à DEL de l'état du ventilateur sont situés sur le couvercle, au bas du tube de rallonge du ventilateur. *Remarque : pour tous renseignements concernant le changement de direction du ventilateur, se reporter à la section Fonctionnement du ventilateur.*



Statut du témoin DEL	Définition
Un clignotement 0,5 seconde/Éteint 4 secondes	Température trop haute
Deux clignotements 0,5 seconde/Éteint 4 secondes	Calage du moteur
Trois clignotements 0,5 seconde//Éteint 4 secondes	Défaillance d'un dispositif externe
Quatre clignotements 0,5 seconde/Éteint 4 secondes	Erreur de communication interne
Cinq clignotements 0,5 seconde/Éteint 4 secondes	Sous-tension du bus C.C.
Six clignotements 0,5 seconde/Éteint 4 secondes	Surtension du bus C.C.
Sept clignotements 0,5 seconde/Éteint 4 secondes	Activer la connexion temporaire disponible ouverte
Huit clignotements 0,5 seconde/Éteint 4 secondes	Surcharge du moteur/Déclenchement thermique
Neuf clignotements 0,5 seconde/Éteint 4 secondes	Limite de courant/Court-circuit

Dépannage concernant les témoins à DEL de statut du ventilateur

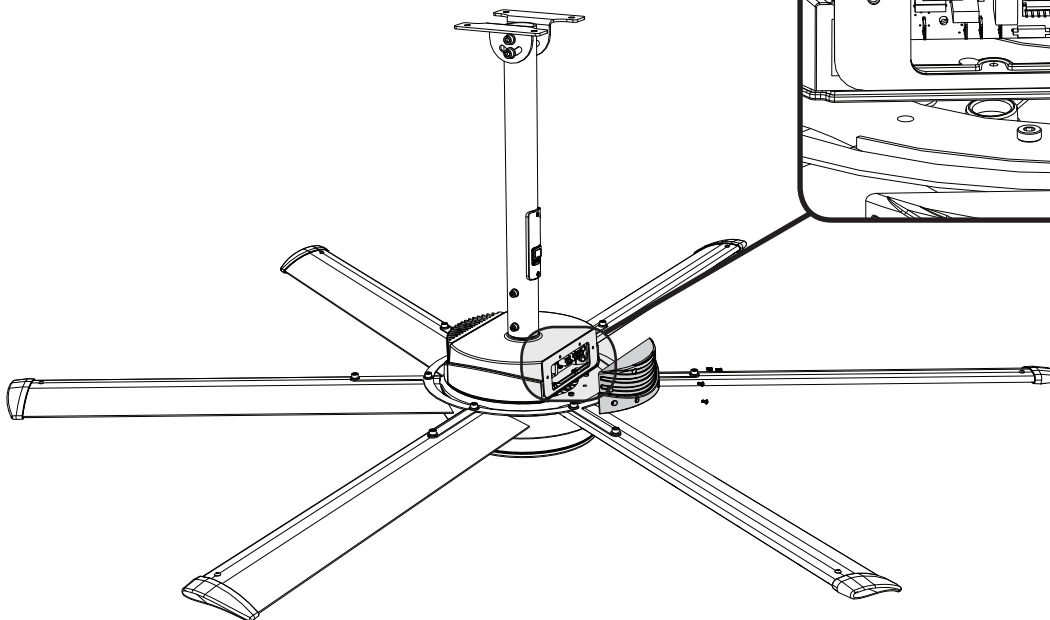
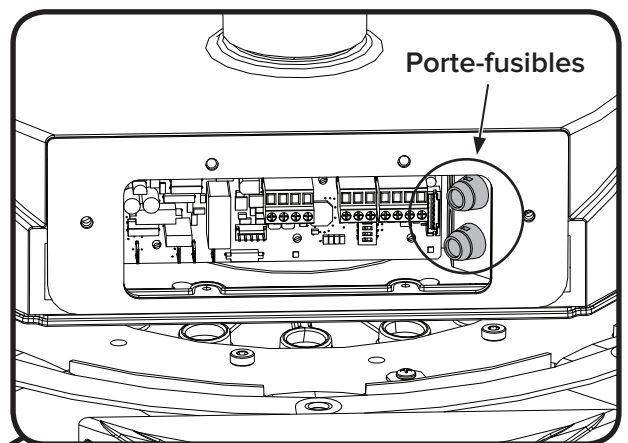
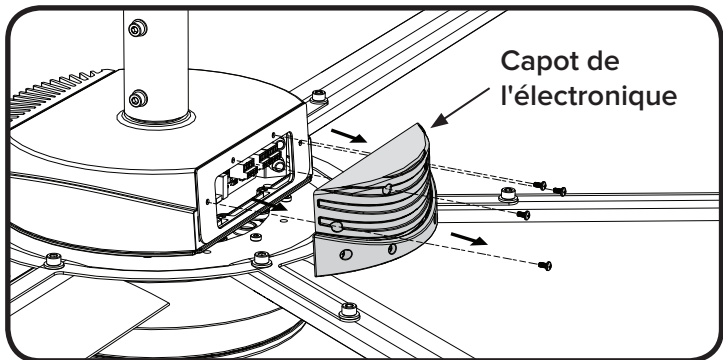
Code du témoin à DEL	Description(s)/Cause(s) possible(s)	Solution(s) possible(s)
Température trop élevée	L'électronique d'entraînement du ventilateur excède les limites de température de fonctionnement sécuritaire.	Le ventilateur s'arrête pendant cinq minutes et tentera de redémarrer deux fois. Si le ventilateur ne redémarre pas après deux tentatives, réinitialisez l'alimentation au ventilateur. Si le ventilateur ne démarre toujours pas, communiquez avec le service à la clientèle.
Défaillance d'un dispositif externe	L'électronique d'entraînement du ventilateur est défectueuse ou une perte de phase de sortie est survenue.	
Erreur de communication interne	L'entraînement du ventilateur principal ne répond pas à la source de commande (carte secondaire, etc.).	
Sous-tension du bus C.C.	La tension du bus a chuté sous 255 VCC.	
Surtension du bus C.C.	La tension du bus a excédé 373 VCC.	
Surcharge du moteur/ Déclenchement thermique	La protection de surcharge du moteur thermique a été activée.	
Limite de courant/ Court-circuit	La limite de courant de la quincaillerie a été atteinte. Une condition de surcharge sévère ou un court-circuit est présent sur la sortie d'entraînement du ventilateur.	
Calage du moteur	Le ventilateur n'accélère pas au T/M désiré dans la minute suivant le démarrage.	Le ventilateur s'arrête et ne tente pas redémarrer. Communiquez avec le service à la clientèle.
Activer la connexion temporaire disponible ouverte	Le circuit d'activation de fonctionnement est ouvert et le fonctionnement du moteur est désactivé.	Assurez-vous que les fils bleu et jaune sur le câble d'entrée du contrôleur sont connectés ensemble. Se reporter aux sections Schémas de câblage et Directives électriques pour tous les détails concernant le câblage.

Remplacement des fusibles

⚠ AVERTISSEMENT : assurez-vous que l'alimentation électrique est débranchée avant de remplacer des fusibles.

⚠ MISE EN GARDE : ne touchez pas aux fonctions électroniques du ventilateur à moins que cela ne soit nécessaire!

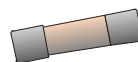
Pour remplacer des fusibles sur l'unité de ventilation principale, déposez le couvercle de l'électronique du ventilateur, comme indiqué. Le couvercle de l'électronique est fixé au ventilateur à l'aide de quatre vis. Tournez et tirez doucement le porte-fusible approprié et remplacez le fusible. Reposez le porte-fusible et le couvercle de l'électronique du ventilateur. Voir ci-dessous pour les recommandations de fusibles.



Fusibles de remplacement adéquats

250 VCA, 10 A (Alimentation principale CA)

- Bussman S505 Series
- Littelfuse 215 Series
- Mersen Fuse GSF
- Bel Fuse 5HT



NOUS CONTACTER

Communiquez avec un expert de Big Ass Fan en composant l'un des numéros indiqués ci-dessous ou en vous rendant sur www.bigassfans.com



Service à la clientèle

États-Unis et le reste du monde

2348 Innovation Drive

Lexington, KY 40511

USA

1 855 490-3048

retail.help@bigassfans.com

Canada

6300 Northwest Dr, Unit 3

Mississauga, ON L4V 1J7

Canada

1 844 924-4277



Fabrication et garantie

Fabrication

2251 Innovation Drive

Lexington, KY 40511

USA

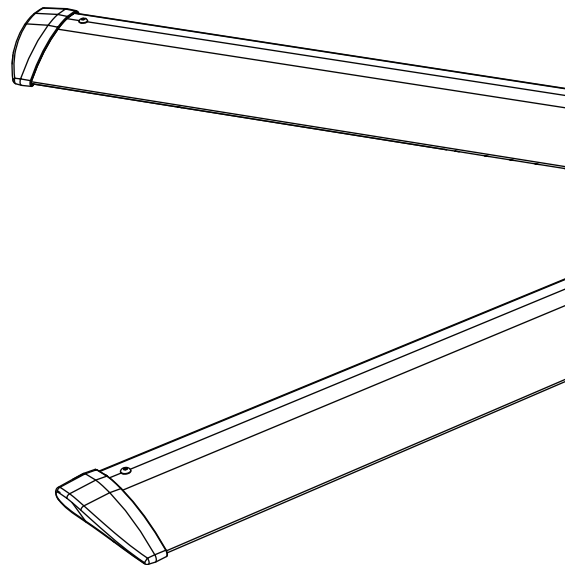
Procédures de garantie

2251 Innovation Drive

Lexington, KY 40511

USA

1 855 490-3048



004465-01
Rev. I
12/18/2018



BIG ASS FANS[®]

2251 Innovation Drive, Lexington, KY 40511
1 (877) BIG-FANS | WWW.BIGASSFANS.COM