



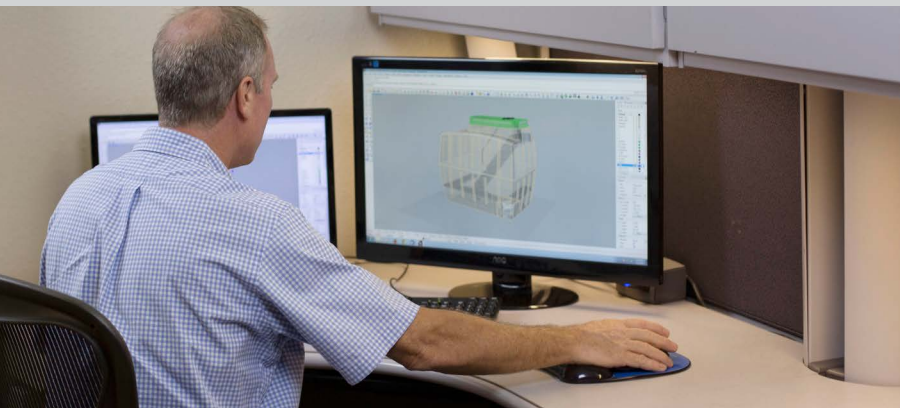
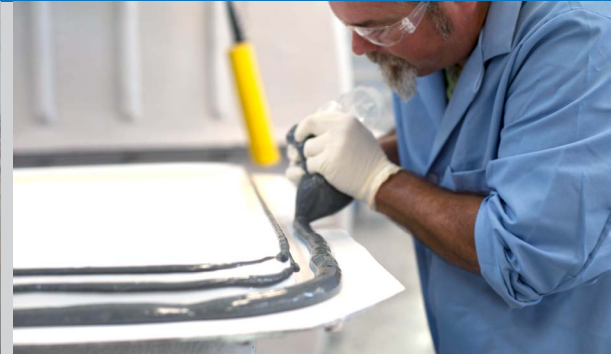
PREMIUM SHELTERS





Stephen Dougherty, CEO

Our premium underground storm shelters are carefully designed to include all necessary safety features ensuring your protection when harsh weather strikes.



Over 30 years experience in fiberglass and metal fabrication.

Award winning innovative designs.



Durability is key in ensuring long-term safety, which is why Life Pod™ storm shelters are built using the same high-quality materials and design concepts used by the boating industry. Our premium storm shelters are the safest, most durable shelters in the industry.

Safety. It matters.

- » Buried underground
- » Safety whistle provided
- » Three point latching system
- » Hinge bolts removable from outside with 7/16" wrench
- » Through-bolted cap using stainless steel bolts , brass nuts and gasketed washers
- » Impact testing done as a unit (not just the door) - approved by third party and American Tornado Shelter Association
- » Aggressive, non-slip step treads

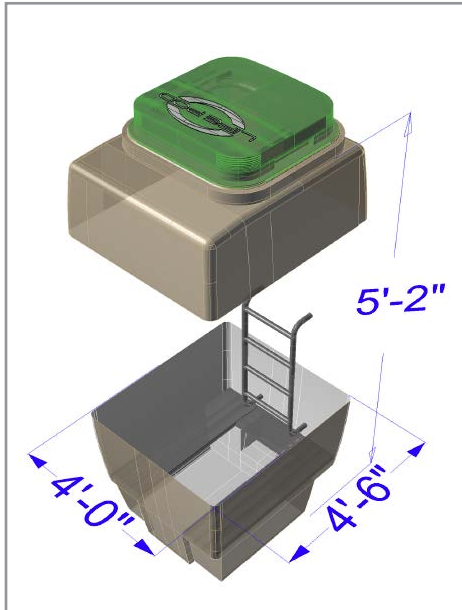
Quality. We build it.

- » Marine grade resins, gel coats and hardware
- » LED lighting
- » Motion sensor LED light
- » All finished fiberglass
- » All composite materials / no wood
- » Stainless steel custom brackets
- » Molded-on non-skid floor - easy to maintain
- » Custom made railings, steps and bench seating
- » Increased headroom
- » Clean, crisp inside

Durability. It lasts.

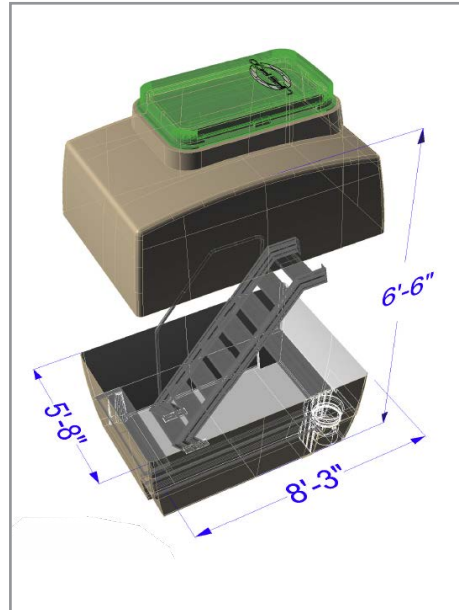
- » No wood; no rot
- » Aluminum and stainless steel hardware
- » Brass nuts
- » 316 stainless steel grab rail
- » Stainless steel hinges
- » High density, closed cell foam stringer system
- » Engineered polyester bonding putty
- » Highly engineered laminate schedule
- » Methyl Methacrylate used for bonding and sealing – triple bead of adhesive on main flange

FP-4



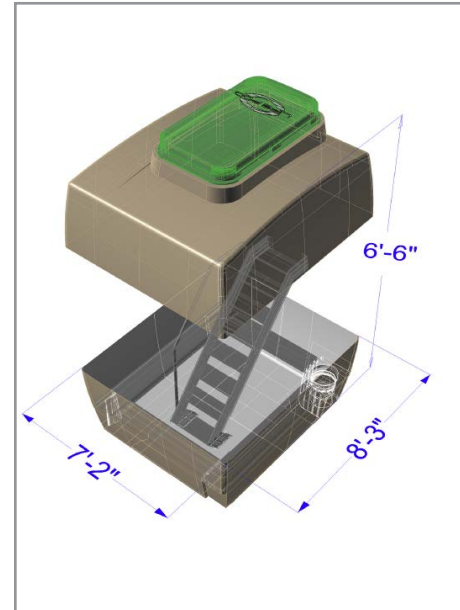
Seating	4 persons
Max Capacity for Ventilation	4 persons
Sq Ft (Floor)	10.37
Interior	48"L x 54"W x 65"H
Exterior	54"L x 60"W x 78"H
Approx Weight	523 lbs

FP-10



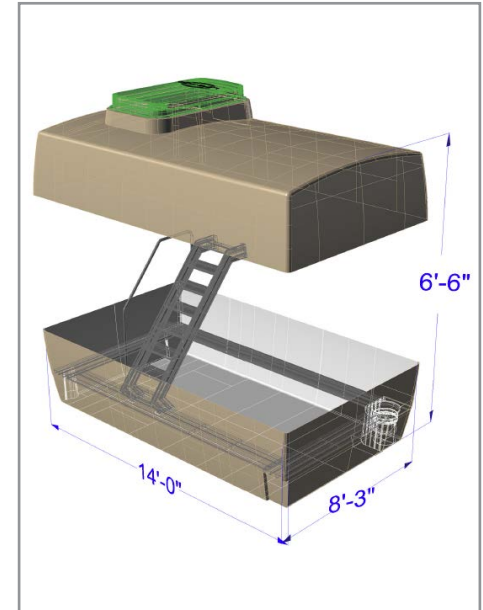
Seating	10 persons
Max Capacity for Ventilation	11 persons
Sq Ft (Floor)	32.45
Interior	68"L x 99"W x 84"H
Exterior	74"L x 105"W x 95"H
Approx Weight	1,350 lbs

FP-14



Seating	14+ persons
Max Capacity for Ventilation	22 persons
Sq Ft (Floor)	44.33
Interior	86"L x 99"W x 84"H
Exterior	92"L x 105"W x 95"H
Approx Weight	1,550 lbs

FP-30



Seating	30+ persons
Max Capacity for Ventilation	44 persons
Sq Ft (Floor)	93.16
Interior	168"L x 99"W x 84"H
Exterior	174"L x 105"W x 95"H
Approx Weight	3,200 lbs

Published by and copyright © 2014:
Life Pod™

All rights reserved.
Trademarks mentioned in this document
are the property of Life Pod, its affiliates, or their respective
owners.

Life Pod Shelters, LLC has attempted to make this brochure as
complete and accurate as possible. The information in this
document contains general descriptions of options/
specifications. We reserve the right to make any changes we
deem necessary, at any time and without prior notice.