

READ BEFORE USE
LIRE AVANT UTILISATION
LEA ANTES DE USAR

Visit www.hamiltonbeach.com for our complete line of products and Use and Care Guides – as well as delicious recipes, tips, and to register your product online!

Rendez-vous sur www.hamiltonbeach.ca pour notre liste complète de produits et de nos manuels utilisateur – ainsi que nos délicieuses recettes, nos conseils et pour enregistrer votre produit en ligne !

¡Visite www.hamiltonbeach.com.mx para obtener nuestra línea completa de productos y las Guías de Uso y Cuidado, además de deliciosas recetas, consejos y para registrar su producto en línea!

Questions?

Please call us – our friendly associates are ready to help.
USA: 1.800.851.8900

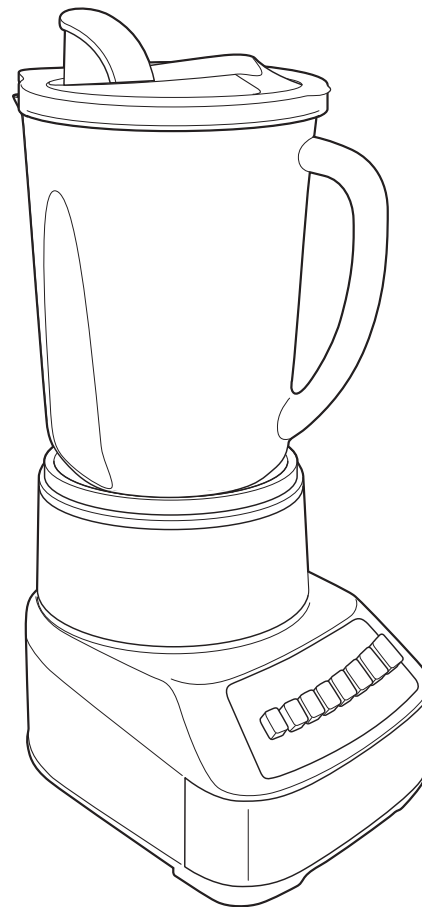
Questions ?

N'hésitez pas à nous appeler – nos associés s'empresseront de vous aider.
CAN : 1.800.267.2826

¿Preguntas?

Por favor llámenos – nuestros amables representantes están listos para ayudar.
MEX: 01 800 71 16 100

Le invitamos a leer cuidadosamente este instructivo antes de usar su aparato.



**Hamilton
Beach®**

Blender
Mélangeur
Licuadaora

English	2
Français	13
Español	25

IMPORTANT SAFEGUARDS

When using electrical appliances, basic safety precautions should always be followed, including the following:

1. Read all instructions.
2. To protect against risk of electrical shock, do not put cord, plug, base, or motor in water or other liquid.
3. Close supervision is necessary when any appliance is used by or near children.
4. Unplug cord from outlet when not in use, before putting on or taking off parts, and before cleaning.
5. Avoid contact with moving parts.
6. Do not operate any appliance with a damaged cord or plug, or after the appliance malfunctions, or is dropped or damaged in any manner. Call our toll-free customer service number for information on examination, repair, or electrical or mechanical adjustment.
7. The use of attachments, including canning jars, not recommended or sold by the appliance manufacturer may cause a risk of injury to persons.
8. Do not use outdoors.
9. Do not let cord hang over edge of table or counter or touch hot surfaces, including stove.
10. Keep hands and utensils out of blender jar and chopper bowl while blending to reduce the risk of severe personal injury and/or damage to blender. A rubber spatula may be used but must be used only when blender is not running.
11. Blades are sharp; handle carefully – especially when assembling, disassembling, or cleaning inside blender jar.
12. Do not use a broken, chipped, or cracked blender jar.
13. Do not use broken, cracked, or loose cutting blade assembly.
14. To reduce the risk of injury, never place cutting blade assembly on base without blender jar or chopper bowl properly attached.
15. Always operate blender with lid in place.
16. When blending hot liquids, open vent opening of lid, and close any lid openings intended for pouring. If pouring with lid in place, ensure the vent-opening cap is closed. Hot liquids may push lid off jar during blending. To prevent possible burns: Do not fill blender jar beyond the 3-cup (750-ml) level. With the protection of an oven mitt or thick towel, place one hand on top of lid. Keep exposed skin away from lid. Start blending at lowest speed.
17. Ensure collar on base of blender jar is tight and secure. Injury can result if moving blades accidentally become exposed.
18. If the jar should twist or rotate when the motor is switched ON, switch OFF immediately and tighten jar in collar or on blender base.
19. Do not leave blender unattended while it is operating.
20. To disconnect cord, turn the control to OFF. Then remove plug from wall outlet.
21. Do not use appliance for other than intended purpose.
22. Be certain cover is securely locked in place before operating appliance.
23. Do not attempt to defeat the cover interlock mechanism.

SAVE THESE INSTRUCTIONS!

OTHER CONSUMER SAFETY INFORMATION

This appliance is intended for household use only. Use for food or liquids only.

WARNING! Shock Hazard: This appliance has a polarized plug (one wide blade) that reduces the risk of electric shock. The plug fits only one way into a polarized outlet. Do not defeat the safety purpose of the plug by modifying the plug in any way or by using an adapter. If the plug does not fit fully into the outlet, reverse the plug. If it still does not fit, have an electrician replace the outlet.

The length of the cord used on this appliance was selected to reduce the hazards of becoming tangled in or tripping over a longer cord. If a longer cord is necessary, an approved extension cord may be used. The electrical rating of the extension cord must be equal to or greater than the rating of the appliance. Care must be taken to arrange the extension cord so that it will not drape over the countertop or tabletop where it can be pulled on by children or accidentally tripped over.

If the cutting blade assembly locks and will not move, it will damage the motor. Do not use. Call the toll-free customer service number for information.

Do not place blender jar in the freezer filled with food or liquid. This can result in damage to the cutting blade assembly, jar, blender, and possibly result in personal injury.

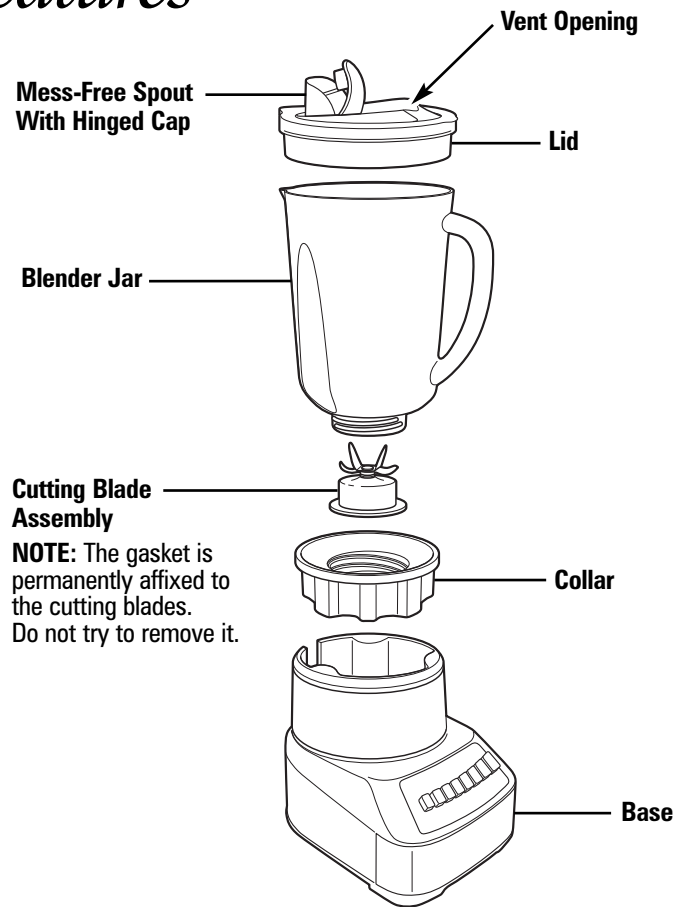
Wattage/Peak Power Information

The wattage/ampere rating of the blender is determined by an Underwriters Laboratory test and is based on available cutting blade assembly, jar combinations, and attachments that may not be provided with your unit, but are available as replacement parts. This is a measure of input wattage/amperes after 30 seconds of operation. The blender as provided may draw significantly less power.

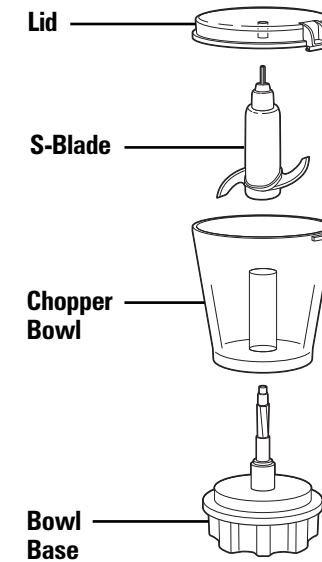
Peak power is the measure of the motor wattage during the first seconds of operation. This is when a blender requires the most power to crush ice, frozen fruit, etc. This is a better measure of what a blender motor can consume when power is needed most.

BEFORE FIRST USE: After unpacking blender, wash everything except blender base in hot, soapy water. Dry thoroughly. Wipe blender base with a damp cloth or sponge. **DO NOT IMMERSE BASE IN WATER.** Care should be taken when handling cutting blade assembly as it is very sharp.

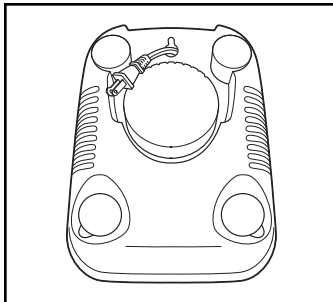
Parts and Features



Food Chopper Attachment (optional accessory on select models)



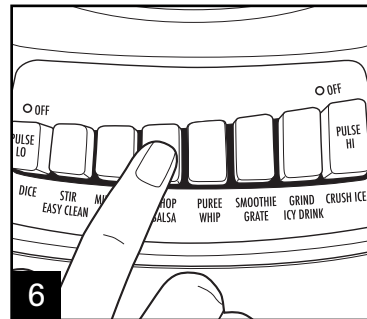
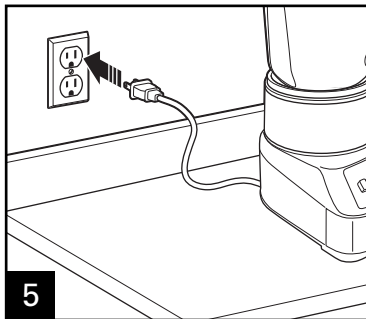
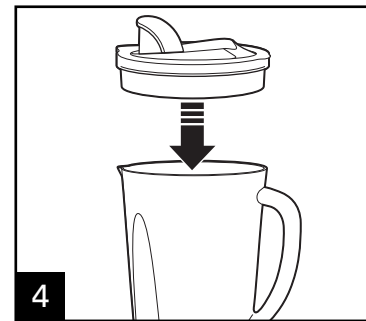
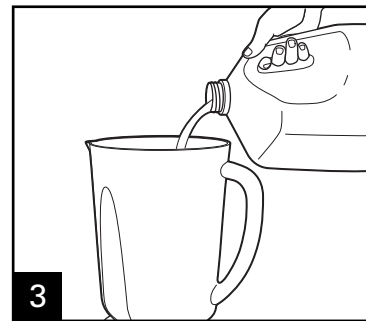
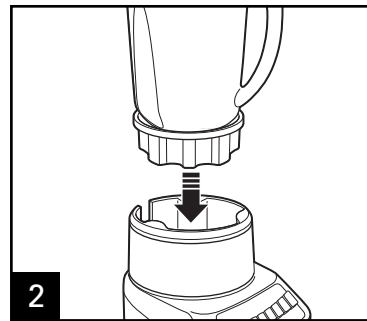
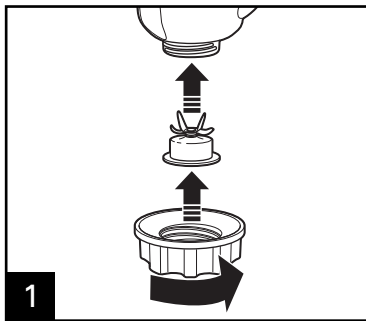
Cord Stuff Storage (located on bottom of base)



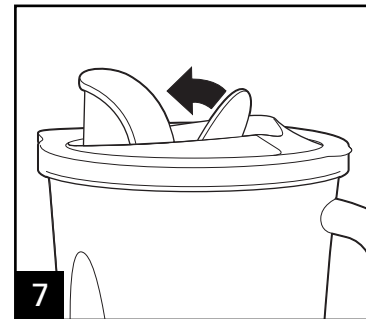
Using Your Blender

BEFORE FIRST USE: After unpacking the blender, follow the instructions in "Cleaning Your Blender."

IMPORTANT: Your blender jar and cutting blade assembly are subject to wear during normal use. Always inspect jar for nicks, chips, or cracks. Always inspect cutting blade assembly for broken, cracked, or loose blades. If jar or cutting blade assembly is damaged, do not use. Call our toll-free customer service number to obtain replacement parts.

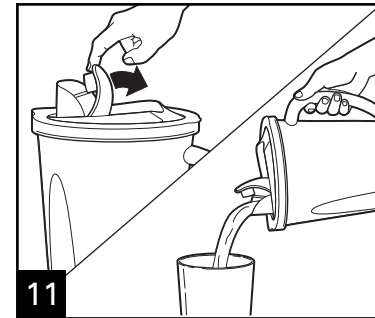
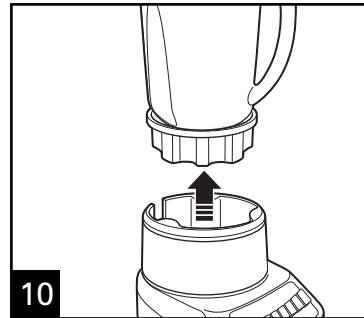
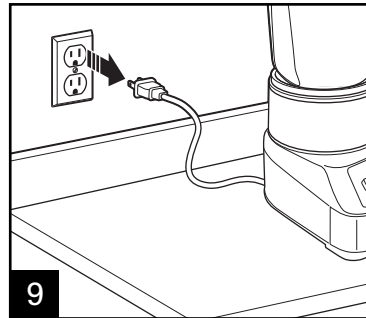
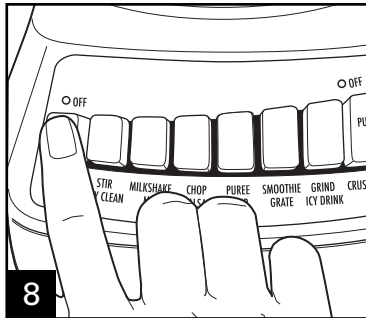


CAUTION: Burn Hazard. When blending hot liquids, open vent opening of lid, and close any lid openings intended for pouring. Hot liquids may push lid off jar during blending. Do not fill blender jar beyond the 3-cup (750-ml) level. With the protection of an oven mitt or thick towel, place one hand on top of lid. Keep exposed skin away from lid. Start blending at lowest speed.



Push the desired speed button. When using a Pulse button, the blender will only run when the button is held down.

Using Your Blender (cont.)



Blender Tips

- To add foods when blender is operating, open hinged pouring cap and add ingredients through the opening.
- For best performance, the minimum amount of liquid needed per recipe is one cup (8 ounces/250 ml). Add more liquid if food is not blending properly.
- If blending action stops during blending or ingredients stick to sides of the jar, there may not be enough liquid in the jar to blend efficiently.
- Do not try to mash potatoes, mix stiff dough, whip egg whites, grind raw meat, or extract juices from fruits and vegetables.
- Do not store food or liquids in the blender jar.
- Avoid bumping or dropping the blender when in operation or at any time.

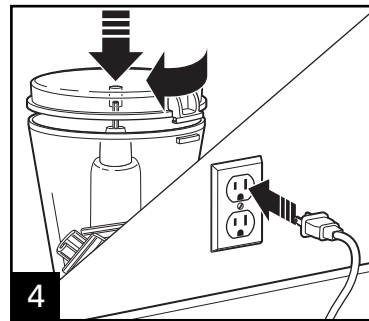
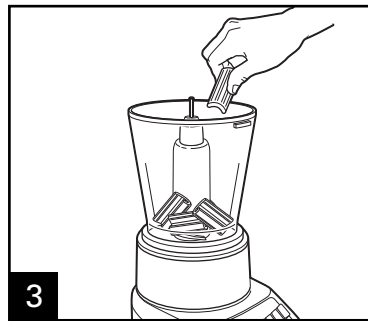
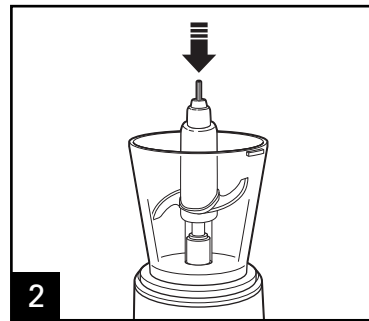
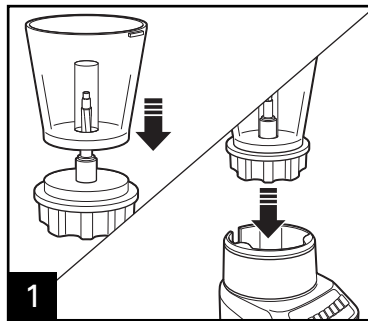
Using Food Chopper Attachment

(Optional Accessory on Select Models)

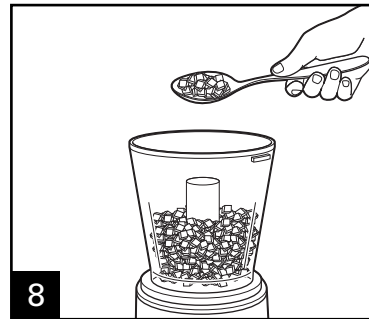
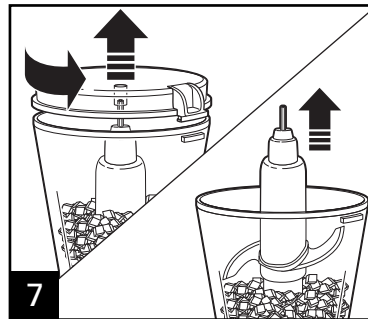
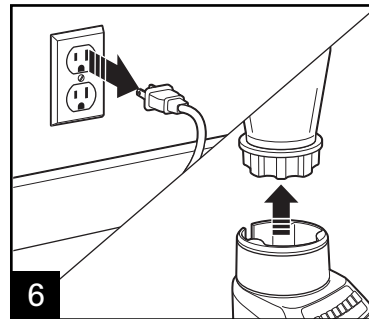
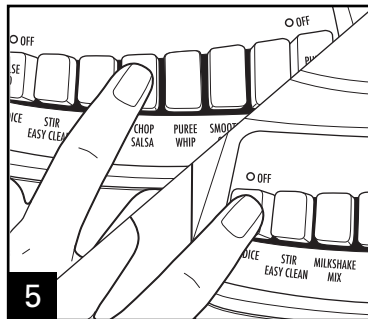
⚠ WARNING Cut Hazard.

Ensure unit is off and unplugged before attaching food chopper attachment. Do not plug in and turn on until lid is in position and locked on top of food chopper bowl.

Always turn off, unplug, and allow blade to stop spinning before opening lid.



Ensure unit is in off position before plugging into outlet.



Processing Foods in Blender

(For Models Without Food Chopper Attachment)

FOOD	QUANTITY	PREPARATION	BLENDING TIME
Coffee Beans	1/2 cup (125 ml)	None	30 seconds
Parmesan Cheese	10 oz. (280 g)	1/2-in. (1-cm) chunks	15 seconds
Baking Chocolate	2 oz. (50 g)	Coarsely chop squares	15 seconds
Nuts	1 cup (250 ml)	None	5 seconds
Chopped Vegetables	2 cups (500 ml)	Cut into 1-in. (2.5-cm) pieces, cover with water	10 seconds
Cookie or Cracker Crumbs	1 cup (250 ml)	Break cookies or crackers into pieces	5 seconds
Superfine Sugar	1 cup (250 ml)	None	30 seconds

TIPS FOR BEST RESULTS:

- Use Pulse button with guidelines outlined in chart.
- Remove jar from base and shake to redistribute pieces.
- Place jar on base and Pulse a few more times until desired consistency is reached.
- Parmesan cheese should remain refrigerated prior to processing.

Blending Drinks

TYPE OF DRINK	INGREDIENTS	NUMBER OF SERVINGS	BLENDER SETTING/TIME
Fruit Smoothie	1 cup (250 ml) milk 1 1/2 cups (375 ml) yogurt 2 cups (500 ml) frozen berries or other fruit Sweetener to taste (optional)	3 to 4 (makes 4 cups [1 L])	SMOOTHIE setting for 45-second program or until blended.
Milkshake	1 1/2 cups (375 ml) milk 2 large scoops ice cream 2 to 3 tablespoons (15 to 45 ml) flavored syrup	2 to 3 (makes 3 cups [750 ml])	MIX/MILKSHAKE setting for 5 to 10 seconds or LOW until blended.
Frozen Drink	1 cup (250 ml) drink mix, such as Piña Colada mix 10 ice cubes	2 (makes 2 cups [500 ml])	PURÉE/ICY DRINK setting for 45 seconds or PULSE 5 times and blend on HIGH for 45 seconds or until blended.

TIPS FOR BEST RESULTS:

- Always place liquid in blender jar first, then remaining ingredients.
- If ice or frozen fruit pieces are not blending, stop blender and PULSE a few times.

Processing Foods with Food Chopper Attachment

(Optional Accessory on Select Models)

TO MAKE	INSTRUCTION
Bread, crumbs	Tear bread slices (max. 3) into 6 pieces.
Cheese, Parmesan	Cut into 1/2-inch (1-cm) cubes. Process 1/2 cup (125 ml) of cubes at a time.
Chocolate, baking	Cut into 1/2-inch (1-cm) cubes. Do not process more than 4 oz. (115 g) at a time.
Cookie, crumbs	Break into pieces. Use up to 2 cups (500 ml) of pieces.
Fruit, chopped	Cut fruit into large chunks. Place up to 2 cups (500 ml) of pieces into chopper.
Garlic, minced	Peel and then process 1 or more cloves at a time.
Graham Cracker, crumbs	Break into 4 pieces. Place up to 6 crackers in chopper at a time.
Herbs, chopped	Place up to 1 cup (250 ml) in chopper.
Meat, ground	Cut into 1/2-inch (1-cm) cubes. Process 8 oz. (225 g) of cubes at a time.
Nuts, chopped	Place up to 1 cup (250 ml) in chopper.
Parsley, chopped or minced	Pinch off sprigs from bunch.
Vegetables, chopped or minced	Cut into 1-inch (2.5-cm) chunks. Place up to 2 cups (500 ml) in chopper at a time.

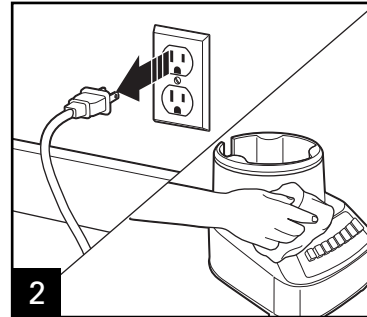
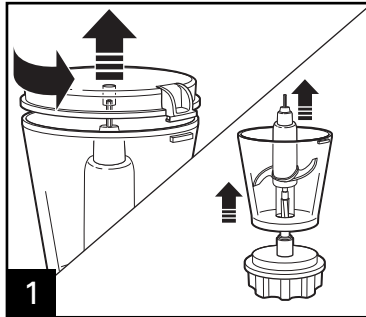
NOTE: Quantities listed above are the recommended maximum. Depending on the food type, smaller amounts may improve chopping performance.

Cleaning Your Blender

⚠ WARNING

Electrical Shock Hazard.

Disconnect power before cleaning.
Do not immerse cord, plug, base, or motor in water or other liquid.



Wipe blender base, control panel, and cord with a damp cloth or sponge. To remove stubborn spots, use a mild, nonabrasive cleanser.



DISHWASHER-SAFE

DO NOT use the "SANI" setting when washing in the dishwasher. "SANI" cycle temperatures could damage your product. Parts may also be washed with hot, soapy water. Care should be taken when handling the cutting blade assembly as it is very sharp. Rinse and dry thoroughly. Do not soak.

EASY CLEAN

To Easy Clean, pour 2 cups (500 ml) warm water in jar and add 1 drop liquid dishwashing detergent. Run the blender on EASY CLEAN for 10 seconds. Discard soapy water. Rinse with clean water.

This function is not a substitute for regular cleaning as instructed in "Cleaning Your Blender." This function should never be used when blending any mixture containing eggs, milk, or any other dairy products, meats, or seafood.

The Easy Clean function should only be used to rinse the blender between batches of processing the same food. When the processing of a single type of food is finished, the blender should be disassembled and thoroughly cleaned as instructed in "Cleaning Your Blender."

Limited Warranty

This warranty applies to products purchased and used in the U.S. and Canada. This is the only express warranty for this product and is in lieu of any other warranty or condition.

This product is warranted to be free from defects in material and workmanship for a period of three (3) years from the date of original purchase. During this period, your exclusive remedy is repair or replacement of this product or any component found to be defective, at our option; however, you are responsible for all costs associated with returning the product to us and our returning a product or component under this warranty to you. If the product or component is no longer available, we will replace with a similar one of equal or greater value.

This warranty does not cover glass, filters, wear from normal use, use not in conformity with the printed directions, or damage to the product resulting from accident, alteration, abuse, or misuse. This warranty extends only to the original consumer purchaser or gift recipient. Keep the original sales receipt, as proof of purchase is required to make a warranty claim. This warranty is void if the product is used for other than single-family household use or subjected to any voltage and waveform other than as specified on the rating label (e.g., 120V ~ 60 Hz).

We exclude all claims for special, incidental, and consequential damages caused by breach of express or implied warranty. All liability is limited to the amount of the purchase price. **Every implied warranty, including any statutory warranty or condition of merchantability or fitness for a particular purpose, is disclaimed except to the extent prohibited by law, in which case such warranty or condition is limited to the duration of this written warranty.** This warranty gives you specific legal rights. You may have other legal rights that vary depending on where you live. Some states or provinces do not allow limitations on implied warranties or special, incidental, or consequential damages, so the foregoing limitations may not apply to you.

To make a warranty claim, do not return this appliance to the store. Please call 1.800.851.8900 in the U.S. or 1.800.267.2826 in Canada or visit hamiltonbeach.com in the U.S. or hamiltonbeach.ca in Canada. For faster service, locate the model, type, and series numbers on your appliance.

PRÉCAUTIONS IMPORTANTES

Pendant l'utilisation d'appareils électriques, des mesures de sécurité élémentaires doivent être respectées, incluant les suivantes :

1. Lire toutes les instructions.
2. Pour éviter les risques d'électrocution, ne pas immerger le cordon, la fiche, la base ou le moteur dans l'eau ou tout autre liquide.
3. Une supervision vigilante est nécessaire pendant l'utilisation de tout appareil par ou près des enfants.
4. Débrancher le cordon de la prise dès la fin de l'utilisation, avant d'installer ou de retirer des pièces et avant le nettoyage.
5. Éviter de toucher les parties mobiles.
6. Ne pas utiliser aucun appareil dont le cordon ou la prise est endommagé, ou suite à toutes anomalies de fonctionnement de l'appareil, une chute ou tout autre dommage quel qu'il soit. Appeler le numéro sans frais du Service à la clientèle pour plus d'information à propos d'une vérification, d'une réparation ou d'un réglage électrique ou mécanique.
7. L'utilisation d'accessoires non recommandés par le fabricant ou vendus par le fabricant de l'appareil, incluant les boîtes de conserve, peut provoquer un incendie, une électrocution ou des blessures.
8. Ne pas utiliser à l'extérieur.
9. Ne pas laisser pendre le cordon de la table ou du comptoir et éviter tout contact entre le cordon et les surfaces chaudes incluant la cuisinière.
10. Tenir les mains et les ustensiles hors du récipient de mélangeur et le hachoir pendant le fonctionnement pour réduire les risques de blessures ou de dommages à l'appareil. Un racloir en caoutchouc peut être utilisé, mais uniquement lorsque le moteur de l'appareil est arrêté.
11. Les lames sont tranchantes; manipuler avec soin lors de l'assemblage et du démontage ou lors du nettoyage de l'intérieur du récipient du mélangeur.
12. Ne pas utiliser un récipient de mélangeur brisé, craqué ou fissuré.
13. Ne pas utiliser des lames brisées, fissurées ou lâches.
14. Pour éviter les risques de blessure, ne jamais placer les lames sans avoir correctement sécurisé le récipient de mélangeur ou le hachoir sur la base.
15. Toujours installer le couvercle avant de faire fonctionner l'appareil.
16. Lors du mélange de liquides très chauds, ouvrir l'évent du couvercle et fermer tous les becs verseurs. En cas de versement avec le couvercle en place, s'assurer que le capuchon de l'évent du couvercle est fermé. Les liquides chauds peuvent pousser sur le couvercle pendant le mélange. Pour prévenir les brûlures : Ne pas remplir au-delà de la marque 750 ml (3 tasses) du récipient. À l'aide d'un gant de cuisinier ou d'une serviette épaisse, placer une main sur le dessus du couvercle. Garder la peau exposée éloignée du couvercle. Commencer à mélanger en utilisant la vitesse minimale.
17. Serrer et sécuriser le collier de la base du récipient. Des risques de blessures peuvent survenir si les lames en mouvement sont accidentellement exposées.
18. Si le récipient bouge ou tourne pendant que le moteur est en marche (ON), mettre immédiatement le mélangeur hors tension (OFF) puis serrer le collier au mélangeur ou à la base du mélangeur.
19. Ne pas laisser le mélangeur sans surveillance pendant le fonctionnement.
20. Débrancher le cordon et tourner la commande à OFF (arrêt/O). Retirer ensuite la fiche de la prise murale.
21. N'utiliser cet appareil que pour les fonctions auxquelles il est destiné.
22. S'assurer que le couvercle est bien verrouillé en place avant de mettre l'appareil en marche.
23. Ne pas essayer de contourner le mécanisme de verrouillage du couvercle.

CONSERVEZ CES INSTRUCTIONS !

AUTRES CONSIGNES DE SÉCURITÉ POUR LE CONSOMMATEUR

Cet appareil est conçu pour une utilisation domestique seulement.

AVERTISSEMENT ! Risque d'électrocution : Cet appareil électroménager possède une fiche polarisée (une broche large) qui réduit le risque d'électrocution. Cette fiche n'entre que dans un seul sens dans une prise polarisée. Ne contrecarrez pas l'objectif sécuritaire de cette fiche en la modifiant de quelque manière que ce soit ou en utilisant un adaptateur. Si vous ne pouvez pas insérer complètement la fiche dans la prise, inversez la fiche. Si elle refuse toujours de s'insérer, faire remplacer la prise par un électricien.

La longueur du cordon installé sur cet appareil a été sélectionnée afin de réduire les risques d'enchevêtrement ou de faux pas causés par un fil trop long. L'utilisation d'une rallonge approuvée est permise si le cordon est trop court. Les caractéristiques électriques de la rallonge doivent être équivalentes ou supérieures aux caractéristiques de l'appareil. Prendre toutes les précautions nécessaires pour installer la rallonge de manière à ne pas la faire courir sur le comptoir ou sur une table pour éviter qu'un enfant ne tire sur le cordon ou trébuche accidentellement.

Les lames qui se bloquent ou refusent de bouger peuvent endommager le moteur. Ne pas utiliser. Appeler la ligne sans frais du Service à la clientèle pour plus d'informations.

Ne pas stocker le récipient du mélangeur au congélateur s'il contient des aliments ou du liquide. Ceci pourrait endommager les lames, le récipient, le mélangeur et éventuellement, occasionner des blessures.

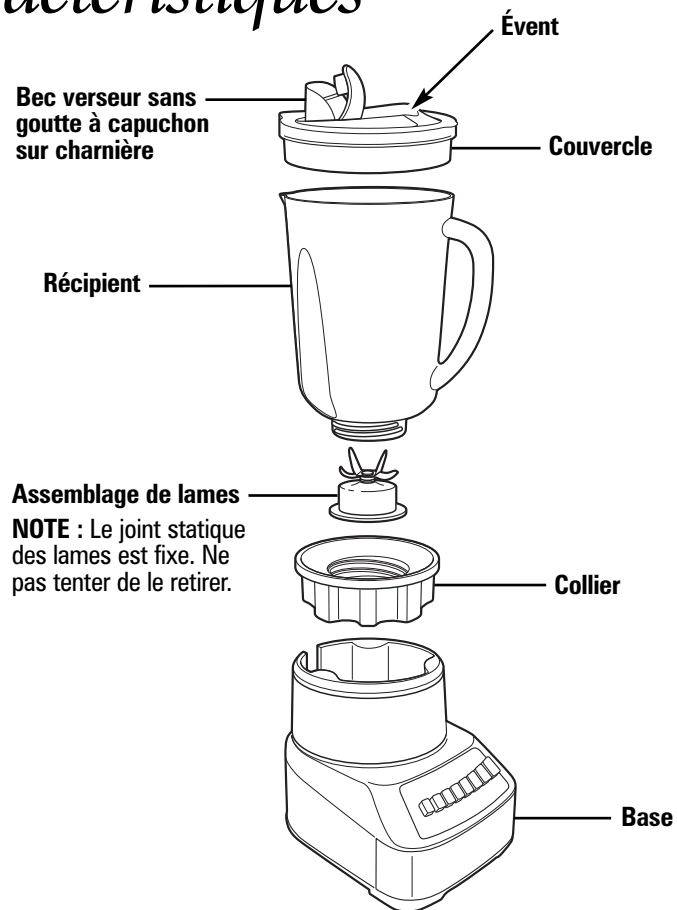
Information au sujet de la tension et de la puissance maximale

La puissance et l'intensité nominales du mélangeur sont déterminées par un essai du Underwriters laboratories basé sur des combinaisons de lames, de récipient et des accessoires pouvant ne pas être offerts pour votre appareil, mais offertes comme pièces de rechange. Ceci est une mesure d'entrée de tension et d'intensité suite à un fonctionnement d'une durée de 30 secondes. Le mélangeur, comme fourni, peut être plus éconergétique.

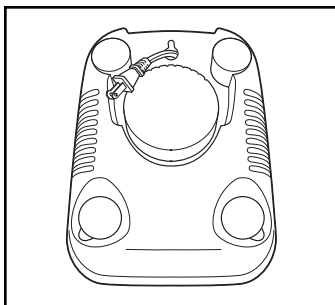
La puissance maximale est la mesure de la puissance restituée du moteur au cours des premières secondes de fonctionnement. Ceci représente la puissance maximale requise par votre mélangeur pour piler la glace, les fruits congelés, etc. Ceci est une mesure plus juste du moteur du mélangeur lors de sa demande énergétique maximale.

AVANT LA PREMIÈRE UTILISATION : Après avoir déballé le mélangeur, laver tout le mélangeur à l'exception de la base dans l'eau chaude savonneuse. Assécher complètement. Essuyer la base du mélangeur avec un linge humide ou une éponge. **NE PAS IMMERGER PAS LA BASE DANS L'EAU.** Les lames du mélangeur sont très tranchantes et demandent à être manipulées avec grande prudence.

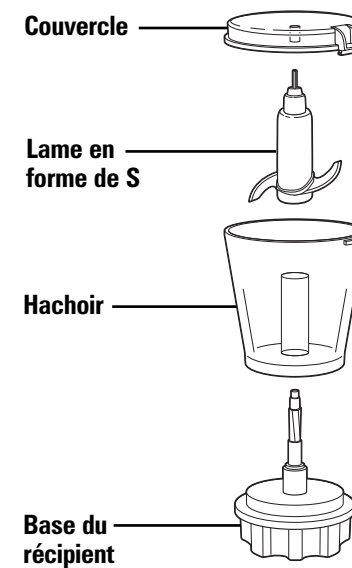
Pièces et caractéristiques



Rangement interne du cordon
(situé sous la base)



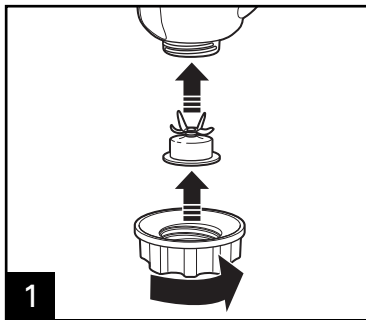
Hachoir
(accessoires en option sur certains modèles)



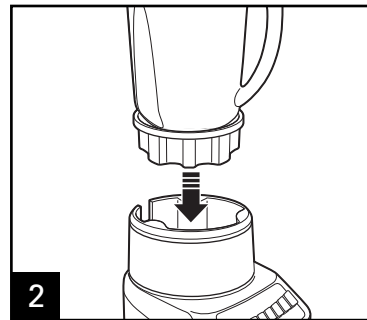
Utilisation de votre mélangeur

AVANT LA PREMIÈRE UTILISATION : Déballer le mélangeur et suivre les instructions au chapitre « Nettoyage du mélangeur ».

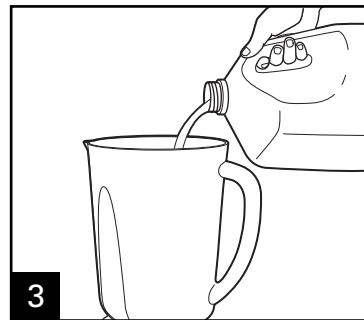
IMPORTANT : Le récipient et l'assemblage des lames du mélangeur peuvent s'user au cours de l'utilisation normale. Inspecter toujours le récipient à la recherche d'entailles, d'écaillures ou de fissures. Inspecter toujours l'assemblage des lames à la recherche de brisures, fissures ou de relâchement. Ne pas utiliser un récipient ou un assemblage de lame endommagé. Appeler le numéro sans frais du Service à la clientèle pour obtenir des pièces de rechange.



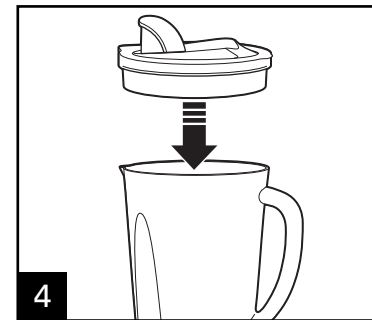
1



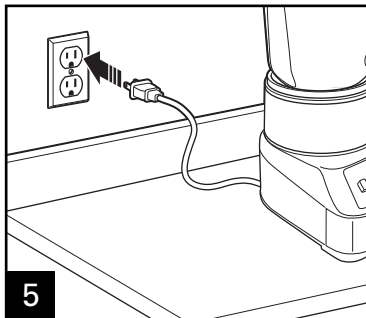
2



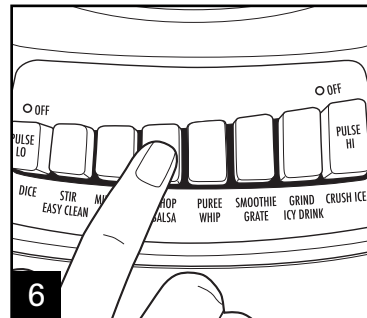
3



4



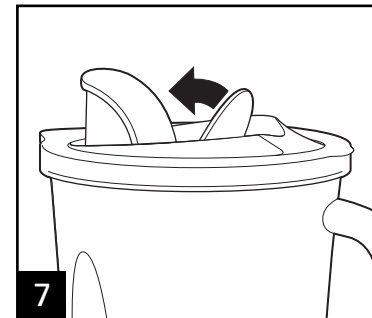
5



6

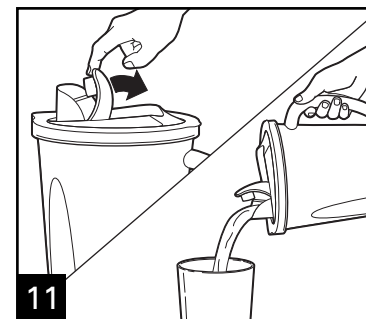
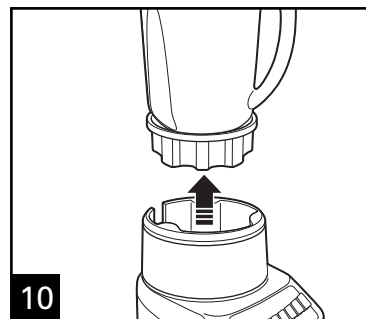
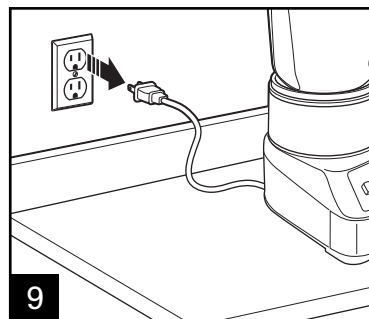
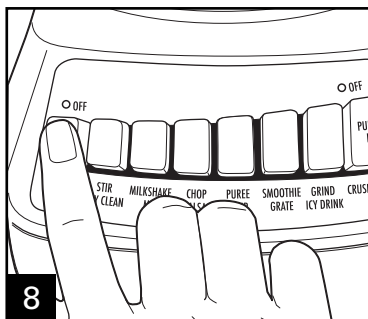
Appuyer sur le bouton de vitesse désiré. Lors de l'utilisation du bouton par impulsion, le mélangeur ne fonctionne que pendant que le bouton reste appuyé.

MISE EN GARDE : Risque de brûlures. Lors du mélange de liquides très chauds, ouvrir l'évent du couvercle et fermer tous les becs verseurs. Les liquides chauds peuvent pousser sur le couvercle pendant le mélange. Ne pas remplir au-delà de la marque 750 ml (3 tasses) du récipient. À l'aide d'un gant de cuisinier ou d'une serviette épaisse, placer une main sur le dessus du couvercle. Garder la peau exposée éloignée du couvercle. Commencer à mélanger en utilisant la vitesse minimale.



7

Utilisation de votre mélangeur (suite)



Conseils

- Pour ajouter des aliments pendant le fonctionnement du mélangeur, retirer le bouchon de remplissage du couvercle du récipient et ajouter les ingrédients par l'ouverture.
- Une recette contenant une quantité minimale de 250 ml (8 oz) est nécessaire pour un rendement optimal. Ajouter du liquide si les aliments ne se mélangent pas correctement.
- Si le processus de mélange cesse pendant le fonctionnement ou que les ingrédients collent aux parois du récipient, il faudra peut-être ajouter du liquide dans le récipient pour obtenir un mélange efficace.
- Ne pas tenter de piler les pommes de terre, les mélanges de pâtes massives, fouetter des blancs d'œufs, broyer de la viande crue ou d'extraire des jus de fruits et de légumes.
- Ne pas stocker d'aliments ou de liquides dans le récipient du mélangeur.
- Éviter de frapper ou échapper le mélangeur pendant son fonctionnement, et ce, en tout temps.

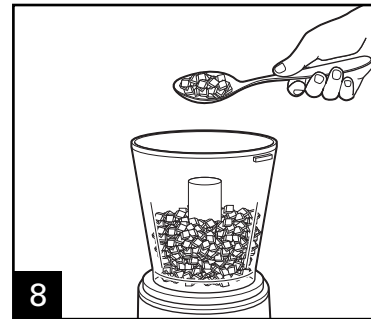
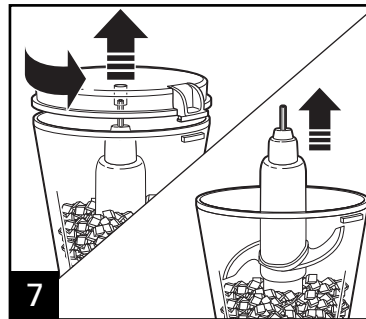
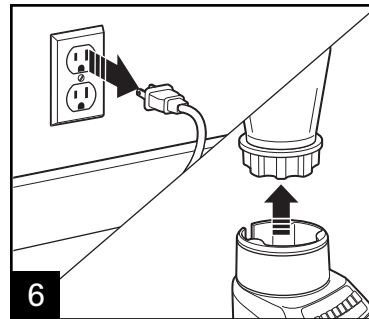
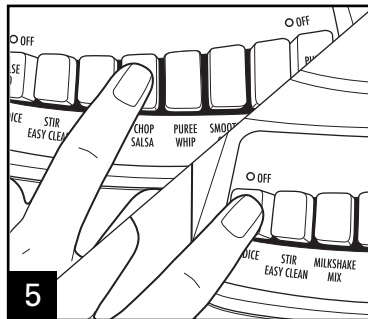
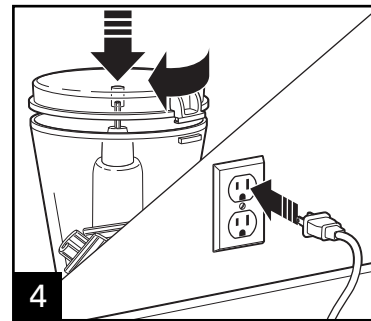
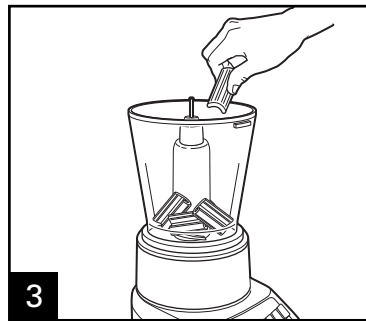
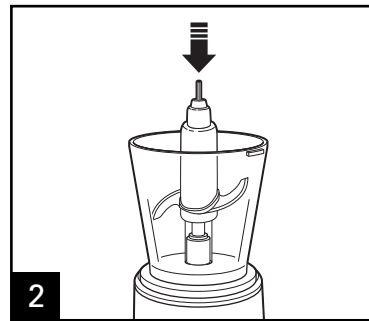
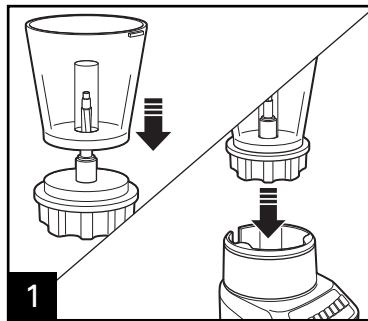
Utilisation du hachoir

(Accessoires en option sur certains modèles)

⚠ AVERTISSEMENT Risque de coupure.

S'assurer que l'appareil est hors tension et débranché avant d'installer le hachoir. Ne PAS brancher ou mettre l'appareil en marche sans avoir installé et verrouillé le couvercle du hachoir.

Toujours mettre l'appareil hors tension, le débrancher et attendre l'arrêt complet de la lame avant d'ouvrir le couvercle.



S'assurer que la commande de l'appareil est en position d'arrêt (OFF) avant débrancher la fiche de la prise murale.

Transformation des aliments dans le mélangeur

(Pour les modèles sans hachoir)

ALIMENTS	QUANTITÉ	PRÉPARATION	DURÉE DE MÉLANGE
Grains de café	125 ml (1/2 tasse)	Aucune	30 seconde
Fromage parmesan	280 g (10 oz.)	Morceaux de 1 cm (1/2 po)	15 seconde
Carrés de chocolat pour la cuisson	50 g (2 oz.)	Carrés coupés grossièrement	15 seconde
Noix	250 ml (1 tasse)	Aucune	5 seconde
Légumes hachés	500 ml (2 tasses)	Couper en morceaux de 2,5 cm (1 po) et recouvrir d'eau	10 seconde
Miettes de biscuits ou craquelins	250 ml (1 tasse)	Briser en morceaux	5 seconde
Sucre super fin	250 ml (1 tasse)	Aucune	30 seconde

CONSEILS POUR DE MEILLEURS RESULTANTS :

- Utiliser le bouton « Pulse » (impulsion) selon les directives décrites au tableau.
- Retirer le récipient de la base et secouer pour répartir les morceaux.
- Placer le récipient sur la base et utiliser le bouton « Pulse » (impulsion) quelques fois de plus jusqu'à ce que la consistance désirée soit atteinte.
- Le fromage parmesan doit rester au réfrigérateur avant de le transformation.

Recettes pour boissons

SORTE DE BOISSON	INGRÉDIENTS	PORTIONS	RÉGLAGE/DURÉE DU MÉLANGE
Frappé aux fruits	250 ml (1 tasse) de lait 375 ml (1 1/2 tasses) de yogourt 500 ml (2 tasses) de baies/fruits congelés Sucre au goût (facultatif)	3 à 4 (donne 1 litre [4 tasses])	Régler à programme « SMOOTHIE » pour 45 secondes ou jusqu'à ce que le mélange atteigne la consistance désirée.
Lait frappé	375 ml (1 1/2 tasses) de lait 2 grosses cuillères pleines de crème glacée 15 à 45 ml (2 à 3 cuillères à soupe) de sirop aromatisé	2 à 3 (donne 750 ml [3 tasses])	Régler à « MIX/MILKSHAKE » pendant 5 à 10 secondes ou à basse vitesse (LOW) jusqu'à ce que le mélange atteigne la consistance désirée.
Boisson congelée	250 ml (1 tasse) de mélange pour boisson comme un mélange pour pina colada 10 cubes de glace	2 (donne 500 ml [2 tasses])	Régler à « PURÉE/ICY DRINK » pendant 45 secondes ou 5 fois sur « PULSE » puis mélanger pendant 45 secondes ou jusqu'à ce que le mélange atteigne la consistance désirée.

CONSEILS POUR DE MEILLEURS RESULTANTS :

- Toujours déposer le liquide dans le récipient en premier ; verser ensuite les autres ingrédients.
- Si la glace ou les morceaux de fruits ne se mélangent pas, arrêter le mélangeur et appuyer sur PULSE (impulsion) à quelques reprises.

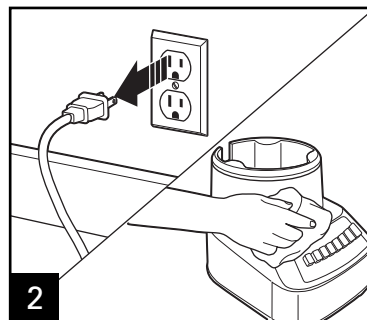
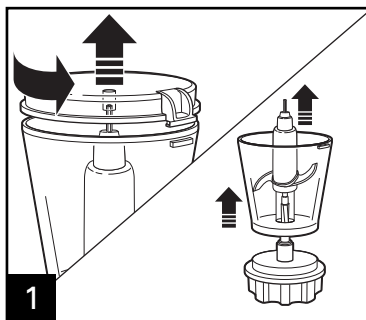
Tableau de traitement des aliments

(Accessoires en option sur certains modèles)

POUR OBTENIR	INSTRUCTION
Chapelure, miettes	Déchirer les tranches de pain (jusqu'à 3) en 6 morceaux.
Fromage parmesan	Couper en cubes de 1 cm (1/2 po). Traiter 125 ml (1/2 tasse) de cubes à la fois.
Chocolat pour la cuisson	Couper en cubes de 1 cm (1/2 po). Ne pas traiter plus de 4 oz (115 g) à la fois.
Miettes de biscuits	Briser en morceaux. Utiliser jusqu'à 500 ml (2 tasses) de morceaux.
Fruits hachés	Couper les fruits en gros morceaux. Placer jusqu'à 500 ml (2 tasses) de morceaux dans le hachoir.
Ail émincé	Peler puis traiter 1 gousse d'ail ou plus à la fois.
Miettes de biscuits Graham	Briser en 4 morceaux. Mettre jusqu'à 6 craquelins en morceaux à la fois dans le hachoir.
Herbes hachées	Mettre jusqu'à 250 ml (1 tasse) dans le hachoir.
Viande hachée	Couper en cubes de 1 cm (1/2 po). Hacher 225 g (8 onces) de cubes à la fois.
Noix hachées	Mettre jusqu'à 250 ml (1 tasse) dans le hachoir.
Persil haché ou émincé	Séparer les têtes des tiges.
Légumes hachés ou émincés	Couper les légumes en morceaux de 2,5 cm (1 po). Mettre jusqu'à 500 ml (2 tasses) à la fois dans le hachoir.

REMARQUE : Les quantités sont les valeurs maximum recommandées. Selon le type d'aliment, des quantités plus petites peuvent améliorer la performance de hachage.

Nettoyage du mélangeur



2 Essuyer la base du mélangeur, le panneau de commande et le cordon avec un linge humide ou une éponge. Pour enlever les taches rebelles, utiliser un nettoyant doux et non abrasif.

⚠ AVERTISSEMENT

Danger d'électrocution.

Débranchez le courant avant de nettoyer. N'immergez jamais le cordon, la fiche, la base ou le moteur dans l'eau ou tout autre liquide.



LAVABLES AU LAVE-VAISSELLE

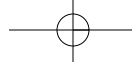
NE PAS utiliser le réglage "SANI" du lave-vaisselle. Les températures du cycle "SANI" peuvent endommager le produit. Les pièces peuvent être lavées également avec de l'eau chaude et savonneux. L'assemblage de lames est très tranchantes et demandent à être manipulées avec grande prudence. Rincer et sécher soigneusement. Ne pas faire tremper.

NETTOYAGE FACILE

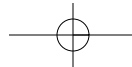
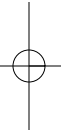
Pour nettoyage facile, verser 500 ml (2 tasses) d'eau chaude dans le récipient et ajouter une goutte de savon à vaisselle. Faire fonctionner le mélangeur en utilisation le mode nettoyage facile (EASY CLEAN) pendant 10 secondes. Jeter l'eau savonneuse. Rincer avec de l'eau propre.

Cette fonction est une alternative au nettoyage périodique décrit au chapitre « Nettoyage du mélangeur ». Cette fonction ne doit jamais être utilisée pour mélanger des ingrédients à base d'oeufs, de lait ou tout autre produit laitier, viandes ou fruits de mer.

La fonction de nettoyage facile ne doit être utilisée que pour le rinçage du mélangeur pour une transformation additionnelle d'ingrédients identiques. Lorsque la transformation d'un seul type d'aliment est terminée, le mélangeur doit être démonté et entièrement nettoyé comme décrit au chapitre « Nettoyage du mélangeur ».



Notes



Garantie limitée

Cette garantie s'applique aux produits achetés et utilisés aux É.-U. et au Canada. C'est la seule garantie expresse pour ce produit et est en lieu et place de tout autre garantie ou condition.

Ce produit est garanti contre tout défaut de matériaux et de main-d'oeuvre pour une période des trois (3) ans à compter de la date d'achat d'origine. Au cours de cette période, votre seul recours est la réparation ou le remplacement de ce produit ou tout composant s'avérant défectueux, à notre gré, mais vous êtes responsable de tous les coûts liés à l'expédition du produit et le retour d'un produit ou d'un composant dans le cadre de cette garantie. Si le produit ou un composant n'est plus offert, nous le remplacerons par un produit similaire de valeur égale ou supérieure.

Cette garantie ne couvre pas le verre, les filtres, l'usure d'un usage normal, l'utilisation non conforme aux directives imprimées, ou des dommages au produit résultant d'un accident, modification, utilisation abusive ou incorrecte. Cette garantie s'applique seulement à l'acheteur original ou à la personne l'ayant reçu en cadeau. La présentation du reçu de vente d'origine comme preuve d'achat est nécessaire pour faire une réclamation au titre de cette garantie. Cette garantie s'annule si le produit est utilisé autrement que par une famille ou si l'appareil est soumis à toute tension ou forme d'onde différente des caractéristiques nominales précisées sur l'étiquette (par ex. : 120 V ~ 60 Hz).

Nous excluons toutes les réclamations au titre de cette garantie pour les dommages spéciaux, consécutifs et indirects causés par la violation de garantie expresse ou implicite. Toute responsabilité est limitée au prix d'achat. **Chaque garantie implicite, y compris toute garantie ou condition de qualité marchande ou d'adéquation à un usage particulier, est exonérée, sauf dans la mesure interdite par la loi, auquel cas la garantie ou condition est limitée à la durée de cette garantie écrite.** Cette garantie vous donne des droits légaux précis. Vous pouvez avoir d'autres droits qui varient selon l'endroit où vous habitez. Certaines provinces ne permettent pas les limitations sur les garanties implicites ou les dommages spéciaux ou indirects de telle sorte que les limitations ci-dessus ne s'appliquent peut-être pas à votre cas.

Ne pas retourner cet appareil au magasin lors d'une réclamation au titre de cette garantie. Téléphoner au 1.800.851.8900 aux É.-U. ou au 1.800.267.2826 au Canada ou visiter le site internet www.hamiltonbeach.com aux É.-U. ou www.hamiltonbeach.ca au Canada. Pour un service plus rapide, trouvez le numéro de modèle, le type d'appareil et les numéros de série sur votre appareil.

SALVAGUARDIAS IMPORTANTES

Cuando use aparatos eléctricos, siempre se deben seguir las precauciones básicas de seguridad, incluyendo las siguientes:

1. Lea todas las instrucciones.
2. Verifique que el voltaje de su instalación corresponda con el del producto.
3. Para protegerse contra un riesgo de descarga eléctrica, no ponga el cable, enchufe, base o motor en agua o cualquier otro líquido.
4. Se requiere de una estrecha supervisión cuando el aparato se use cerca de niños.
5. Desconecte el cable de la toma cuando no esté en uso, antes de poner o quitar partes y antes de limpiar.
6. Evite el contacto con partes móviles.
7. Nunca opere cualquier aparato con un cable o enchufe dañado, o después de un mal funcionamiento, o se caiga o dañe de cualquier manera. Llame a nuestro número de servicio a cliente sin costo para información sobre revisión, reparación o ajuste eléctrico o mecánico.
8. El uso de aditamentos, incluyendo latas, no recomendados o vendidos por el fabricante del aparato pueden causar un riesgo de lesiones personales.
9. No lo use en exteriores.
10. No deje que el cable cuelgue del borde de la mesa o cubierta, o toque superficies calientes, incluyendo la estufa.
11. Mantenga las manos y utensilios fuera de la jarra de la licuadora y tazón picador mientras se mezcla para reducir el riesgo de lesiones personales severas y/o daños a la licuadora. Se puede usar una espátula de hule pero sólo debe ser usada cuando no esté funcionando la licuadora.
12. Las cuchillas están afiladas; manéjelas con cuidado especialmente cuando ensamble, desensamble o limpie dentro de la jarra de la licuadora.
13. No use una jarra para licuadora rota, estrellada o rajada.
14. No use un conjunto de cuchilla de corte roto, rajado o flojo.
15. Para reducir el riesgo de lesión, nunca coloque el conjunto de cuchilla de corte sobre la base sin que la jarra para licuadora o tazón picador esté adecuadamente adherida.
16. Siempre use la licuadora con la tapa en su lugar.
17. Cuando licua líquidos calientes, abra la abertura de ventilación de la tapa, y cierre las aberturas de la tapa que se utilizan para servir. Si sirve con la tapa en su lugar, verifique que la tapa de la abertura de ventilación se encuentre cerrada. Los líquidos calientes pueden empujar la tapa durante el licuado. Para prevenir posibles quemaduras: No llene la jarra de la licuadora más allá del nivel de 3 tazas (750 ml). Con la protección de guantes de cocina o una toalla gruesa, coloque una mano encima de la tapa. Mantenga la piel expuesta lejos de la tapa. Comience a licuar a una velocidad baja.
18. Asegúrese de que collar de la base de la jarra de la licuadora esté fijo y asegurado. Pueden ocurrir lesiones si las cuchillas móviles accidentalmente quedan expuestas.
19. Si la jarra se tuerce o gira cuando el motor se enciende, apáguelo inmediatamente y apriete la jarra en el collar o en la base de la licuadora.
20. No deje sin atención la licuadora mientras está funcionando.
21. Para desconectar el cable, ponga el control en OFF (apagado/O). Luego remueva el enchufe de la toma de la pared.
22. No use el aparato para otro propósito que no sea para el que fue hecho. Si el conjunto de cuchilla de corte se atora y no se mueve, dañará el motor.
23. Antes de hacer funcionar el aparato, asegúrese de que la cubierta esté trabada con seguridad en su lugar.
24. No intente invalidar el mecanismo de entrecierre de la cubierta.

¡GUARDE ESTAS INSTRUCCIONES!

OTRA INFORMACIÓN DE SEGURIDAD PARA EL CLIENTE

Este aparato está planeado para uso doméstico.

¡ADVERTENCIA! Peligro de Descarga Eléctrica: Este aparato cuenta con un enchufe polarizado (una pata más ancha) que reduce el riesgo de una descarga eléctrica. El enchufe embona únicamente en una dirección dentro de un tomacorriente polarizado. No trate de obviar el propósito de seguridad del enchufe modificándolo de alguna manera o utilizando un adaptador. Si el enchufe no entra completamente en la toma, invierta el enchufe. Si aún no entra, haga que un eléctrico reemplace la toma.

El largo del cable que se usa en este aparato fue seleccionado para reducir el peligro de que alguien se enganche o tropiece con un cable más largo. Si es necesario usar un cable más largo, se podrá usar un cable de extensión aprobado. La clasificación eléctrica nominal del cable de extensión debe ser igual o mayor que la clasificación nominal del aparato. Es importante tener cuidado de colocar el cable de extensión para que no se pliegue sobre el mostrador o la mesera en donde niños puedan tirar del mismo o tropezarse accidentalmente.

Si el conjunto de cuchilla de corte se atora y no se mueve, dañará el motor. No la use. Llame a nuestro número de asistencia al cliente sin costo para información.

No coloque la jarra de la licuadora en el congelador lleno de comida o líquido. Esto puede resultar en un daño del conjunto de cuchilla de corte, jarra, licuadora y resulte posiblemente en lesiones personales.

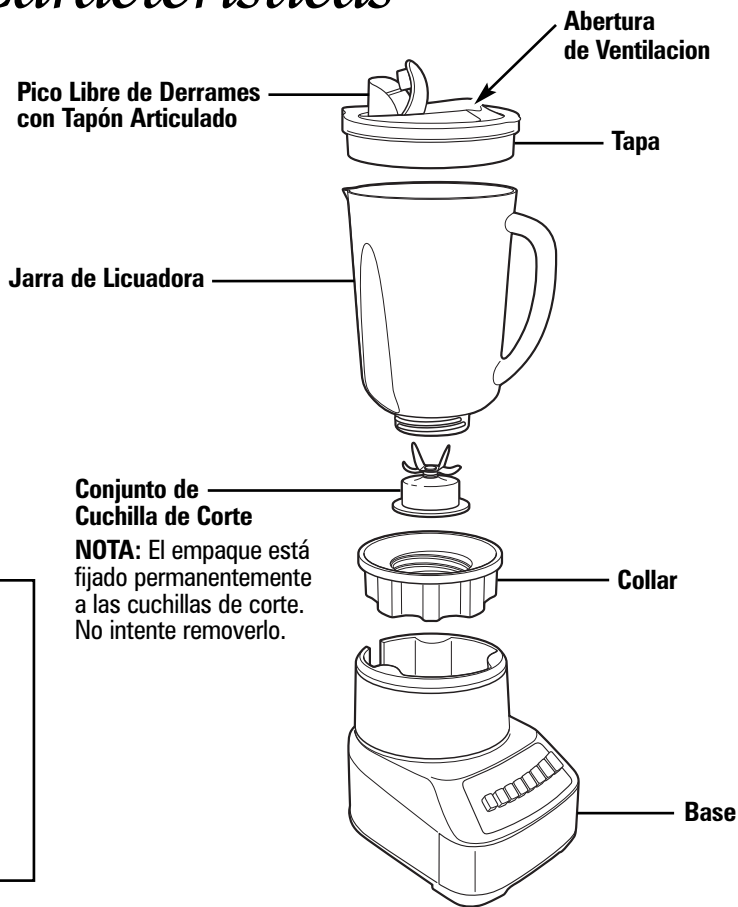
Información sobre Watts/Energía Tope

La clasificación del wattaje/amperaje de la licuadora se determina por una prueba de Laboratorio del Suscriptor y está basada en las combinaciones de conjunto de cuchilla de corte, jarra, y accesorios disponibles que pueden no proporcionarse con su unidad, pero están disponibles como partes de reemplazo. Esta es una medida de entrada de watts/amperes después de 30 segundos de operación. La licuadora como se provee puede tomar significativamente menos energía.

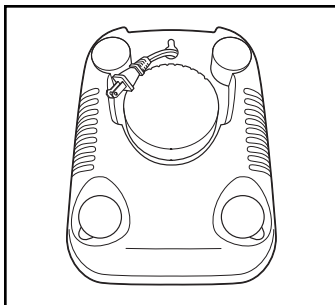
La energía tope es la medida del wattaje del motor durante los primeros segundos de operación. Esto es cuando la licuadora requiere la mayor energía para cortar hielo, fruta congelada, etc. Esta es una mejor medición de lo que un motor de licuadora puede consumir cuando más se requiere energía.

ANTES DE USAR POR PRIMERA VEZ: Después de desempacar la licuadora, lave todo excepto la base de la licuadora en agua caliente jabonosa. Seque completamente. Limpie la base de la licuadora con un paño húmedo o esponja. **NO SUMERJA LA BASE EN AGUA.** Se debe de tener cuidado cuando se manipule el conjunto de cuchilla cortadora ya que está muy afilada.

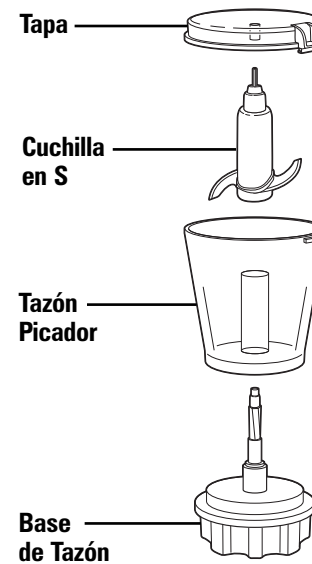
Piezas y Características



Almacenaje de Cable
(localizado en la parte inferior de la base)



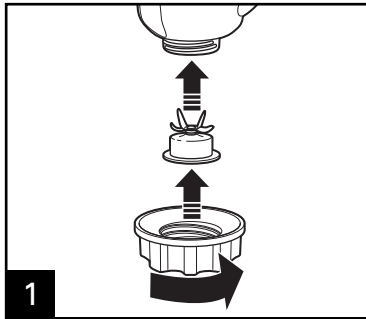
Accesorio Picador de Alimentos
(accesorios optional en modelos selectos)



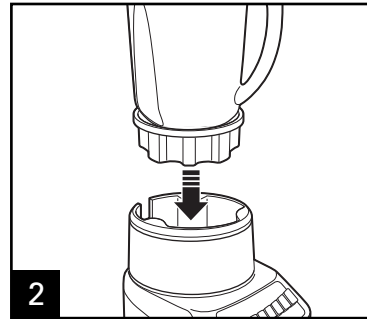
Cómo Usar Su Licuadora

ANTES DE USAR POR PRIMERA VEZ: Después de desempacar la licuadora, siga las instrucciones en "Cómo Limpiar Su Licuadora".

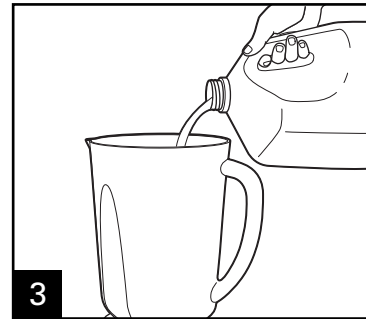
IMPORTANTE: La jarra de su licuadora y el conjunto de cuchilla de corte están sujetos a desgaste durante el uso normal. Siempre inspeccione la jarra por cortes, astillas o rajaduras. Siempre inspeccione el conjunto de cuchilla de corte por cortes, rajaduras o cuchillas sueltas. Si la jarra o el conjunto de cuchilla de corte están dañados, no los use. Llame a nuestro número de servicio al cliente sin costo para obtener piezas de reemplazo.



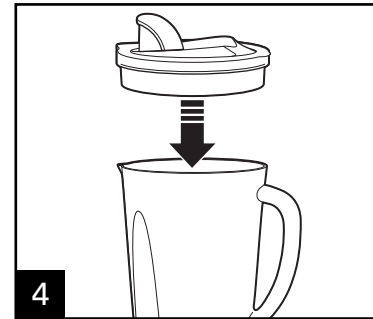
1



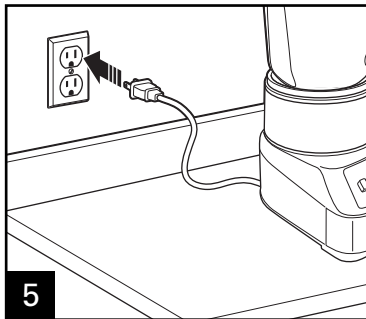
2



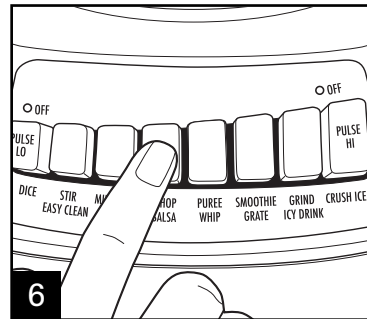
3



4



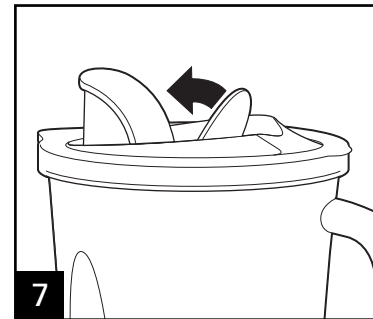
5



6

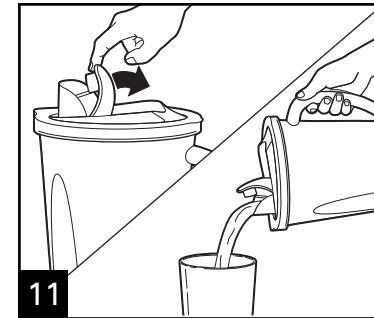
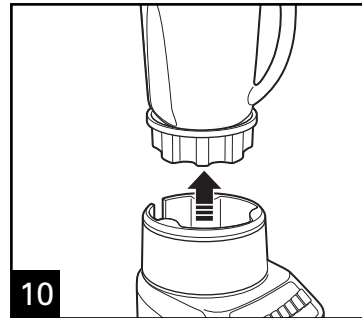
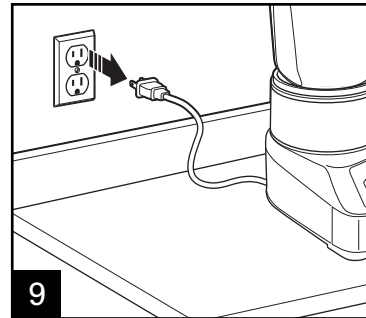
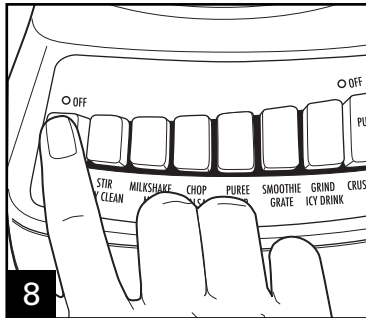
Presione el botón de velocidad deseado. Cuando utilice el botón Pulse, la licuadora sólo funcionará cuando el botón se mantenga presionado.

PRECAUCIÓN: Peligro de Quemaduras. Cuando licua líquidos calientes, abra la abertura de ventilación de la tapa, y cierre las aberturas de la tapa que se utilizan para servir. Los líquidos calientes pueden empujar la tapa durante el licuado. No llene la jarra de la licuadora más allá del nivel de 3 tazas (750 ml). Con la protección de guantes de cocina o una toalla gruesa, coloque una mano encima de la tapa. Mantenga la piel expuesta lejos de la tapa. Comience a licuar a una velocidad baja.



7

Cómo Usar Su Licuadora (cont.)



Consejos Para la Licuadora

- Para agregar alimentos cuando la licuadora está funcionando, remueva la tapa de llenado de la cubierta del contenedor y agregue los ingrediente a través de esta abertura.
- Para un mejor desempeño, la cantidad mínima de líquido necesaria por receta es una taza (8 onza/250 ml). Agregue más líquido si el alimento no se licue adecuadamente.
- Si la acción de licuado se detiene durante el licuado o los ingredientes se pegan a los lados de la jarra, puede que no haya suficiente líquido en la jarra para licuar efectivamente.
- No intente hacer puré de papa, licuar masa dura, batir claras de huevo, moler carne cruda, o extraer jugos de frutas y verduras.
- No almacene alimentos o líquidos en la jarra de la licuadora.
- Evite golpear o dejar caer la licuadora cuando esté en funcionamiento o en cualquier momento.

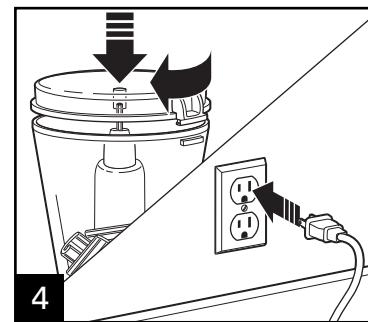
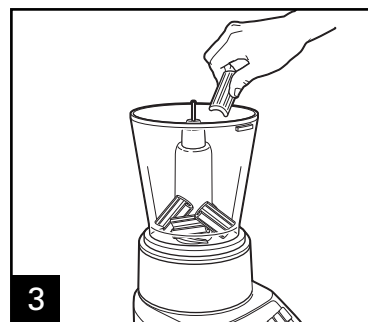
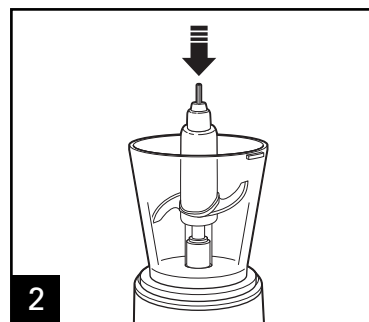
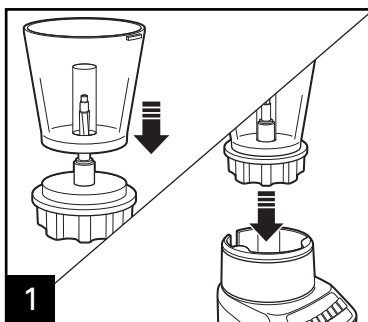
Cómo Usar el Accesorio Picador de Alimentos

(Accesorios Optional en Modelos Selectos)

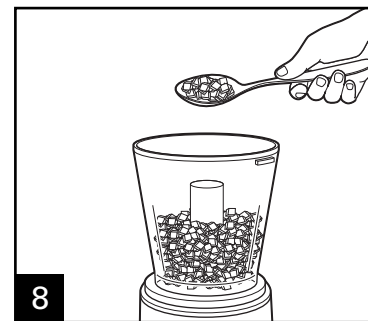
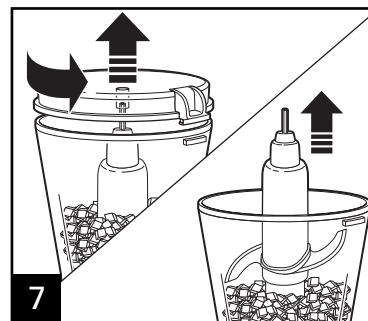
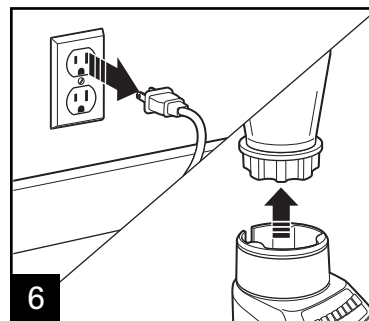
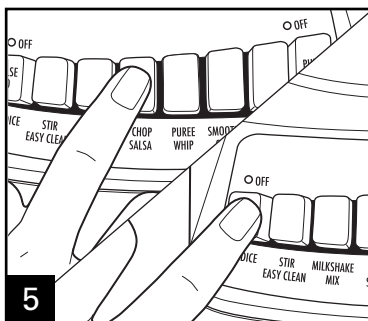
⚠ ADVERTENCIA Peligro de Cortaduras.

Verifique que la unidad esté apagada y desenchufada antes de instalar el accesorio picador de alimentos. No enchufe ni encienda la unidad hasta que la tapa esté en su posición y trabada en la parte superior del tazón picador de alimentos.

Siempre apague, desenchufe y espere a que la cuchilla deje de girar antes de abrir la tapa.



Verifique que la unidad se encuentre en la posición de apagado antes de enchufarla en el tomacorriente.



Cómo Procesar Alimentos en la Licuadora

(Para Modelos Sin el Accesorio Picador de Alimentos)

ALIMENTO	CANTIDAD	PRÉPARATION	TIEMPO DE LICUADO
Granos de café	1/2 taza (125 ml)	Ninguna	30 segundo
Queso parmesano	10 oz. (280 g)	Trozos 1/2 pulg. (1 cm)	15 segundo
Chocolate para hornear	2 oz. (50 g)	En cuadrados grandes	15 segundo
Nueces	1 taza (250 ml)	Ninguna	5 segundo
Vegetales picados	2 tazas (500 ml)	Cortar en trozos de 1 pulg. (2.5 cm), cubrir con agua	10 segundo
Galletas dulces o saladas en trocitos	1 taza (250 ml)	Romper en trozos	5 segundo
Azúcar extrafina	1 taza (250 ml)	Ninguna	30 segundo

CONSEJOS PARA MEJORES RESULTADOS:

- Utilice el botón Pulse con las indicaciones señaladas en la tabla.
- Quite la jarra de la base y sacúdala para redistribuir los trozos.
- Coloque la jarra en la base y presione Pulse un par de veces más hasta alcanzar la consistencia deseada.
- El queso parmesano debe permanecer refrigerado antes de efectuar el procesamiento.

Cómo Preparar Bebidas

TIPO DE BEBIDA	INGREDIENTES	CANTIDAD DE PORCIONES	CONFIGURACIÓN DE LICUADORA/TIEMPO
Smoothie de Fruta	1 taza (250 ml) de leche 1 1/2 tazas (375 ml) de yogurt 2 tazas (500 ml) de bayas congeladas u otra fruta Endulzante a gusto (opcional)	3 a 4 (rinde para 4 tazas [1 L])	Configuración SMOOTHIE por 45 segundos del programa o hasta que esté listo.
Batido de Leche	1 1/2 cups (375 ml) de leche 2 cucharadas grandes de helado 2 a 3 cucharadas (15 a 45 ml) de jarabe saborizado	2 a 3 (rinde para 3 tazas [750 ml])	Configuración MIX/MILKSHAKE (mezclar/batido de leche) por 5 a 10 segundos o LOW (baja) hasta que quede listo.
Bebida Congelada	1 taza (250 ml) de mezcla para bebidas, como mezcla de Piña Colada 10 cubitos de hielo	2 (rinde para 2 tazas [500 ml])	Configuración PURÉE/ICY DRINK (puré/bebida helada) por 45 segundos o PULSE 5 veces y licue en HIGH (alta) por 45 segundos o hasta que esté listo.

CONSEJOS PARA MEJORES RESULTADOS:

- Siempre coloque primero el líquido en la jarra de la licuadora; luego los ingredientes restantes.
- Si los trozos de fruta helados o congelados no se licuan, detenga la licuadora y PULSE algunas veces.

Tabla de Procesamiento de Alimentos

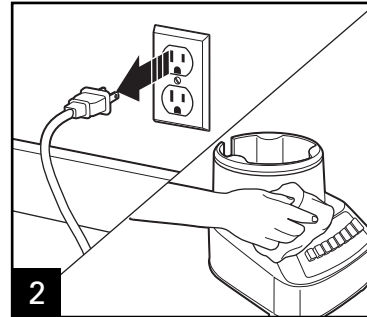
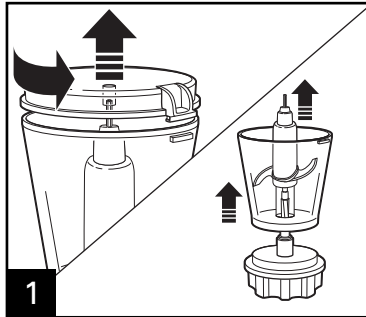
(Accesorios Optional en Modelos Selectos)

PARA PREPARAR	INSTRUCCIONES
Migas de pan	Parta las tajadas de pan (máx. 3) en 6 piezas.
Queso parmesano	Corte en cubos de 1/2 pulgada (1 cm). Procese 1/2 taza (125 ml) de cubos a la vez.
Chocolate para hornear	Corte en cubos de 1/2 pulgada (1 cm). No procese más de 4 oz (115 g) a la vez.
Migas de galleta	Parta en pedazos. Use hasta 2 tazas (500 ml) de pedazos.
Fruta picada	Corte la fruta en porciones grandes. Coloque hasta 2 tazas (500 ml) de fruta en la picadora.
Ajo picado	Pele y luego procese 1 o más dientes de ajo a la vez.
Migas de galletas Graham	Parta en 4 pedazos. Coloque hasta 6 galletas en la picadora a la vez.
Hierbas picadas	Coloque hasta 1 taza (250 ml) en la picadora.
Carne molida	Couper en cubos de 1/2 pulgada (1 cm). Hacher 8 oz (225 g) de cubos à la fois.
Nueces picadas	Mette jusqu'à 1 taza (250 ml) dans le hachoir.
Perejil picado	Arranque los ramitos del ramillete.
Vegetales picados	Corte vegetales en pedazos de 1 pulgada (2.5 cm). Coloque hasta 2 tazas (500 ml) en la picadora a la vez.

NOTA: Las cantidades anteriores son el máximo recomendado. Dependiendo del tipo de alimento, unas cantidades más pequeñas podrían mejorar el desempeño del picado.

Cómo Limpiar Su Licuadora

⚠ ADVERTENCIA Peligro de Descarga Eléctrica. Desconecte la energía antes de limpiar. No sumerja el cable, el enchufe, base o motor en agua u otro líquido.



1 Limpie la base de la licuadora, el panel de control y el cable con un paño húmedo o esponja. Para remover las manchas tercas, use un limpiador suave no abrasivo.

2 No utilice la configuración "SANI" cuando la lave en el lavavajillas. Las temperaturas del ciclo "SANI" pueden dañar su producto. Las piezas también pueden lavarse con agua caliente jabonosa. Se debe de tener cuidado cuando se manipule el conjunto de cuchilla de corte ya que está muy afilada. Enjuague y seque completamente. No empape.

LIMPIEZA FÁCIL

Para Limpieza Fácil, vacíe 2 tazas (500 ml) de agua caliente en el jarra y agregue 1 gota de detergente líquido para platos. Haga funcionar la licuadora en EASY CLEAN por 10 segundos. Deseche el agua jabonosa. Enjuague con agua limpia.

Esta función no es un sustituto de la limpieza regular como se indica en "Cómo Limpiar Su Licuadora". Esta función no debe ser usada nunca cuando se bata cualquier mezcla que contenga huevos, leche o cualquier producto lácteo, carnes, o mariscos.

La función de Limpieza Fácil debe ser usada solamente para enjuagar la licuadora entre procesado de porciones del mismo alimento. Cuando termine de procesar un solo tupo de alimento, la licuadora debe ser desensamblada y limpiada completamente como se indica en "Cómo Limpiar Su Licuadora".

Hamilton Beach®

Grupo HB PS, S.A. de C.V.
 Monte Elbruz No. 124 Int. 601
 Col. Palmitas Polanco
 México, D.F. C.P. 11560
 01-800-71-16-100

PÓLIZA DE GARANTÍA

PRODUCTO:	MARCA:	MODELO:
<p>Grupo HB PS, S.A. de C.V. cuenta con una Red de Centros de Servicio Autorizada, por favor consulte en la lista anexa el nombre y dirección de los establecimientos en la República Mexicana en donde usted podrá hacer efectiva la garantía, obtener partes, componentes, consumibles y accesorios; así como también obtener servicio para productos fuera de garantía. Para mayor información llame sin costo: Centro de Atención al consumidor: 01 800 71 16 100</p>		
<p>Grupo HB PS, S.A. de C.V. le otorga a partir de la fecha de compra: GARANTÍA DE 3 AÑOS.</p>		
COBERTURA		
<ul style="list-style-type: none"> • Esta garantía ampara, todas las piezas y componentes del producto que resulten con defecto de fabricación incluyendo la mano de obra. • Grupo HB PS, S.A. de C.V. se obliga a reemplazar, reparar o reponer, cualquier pieza o componente defectuoso; proporcionar la mano de obra necesaria para su diagnóstico y reparación, todo lo anterior sin costo adicional para el consumidor. • Esta garantía incluye los gastos de transportación del producto que deriven de su cumplimiento dentro de su red de servicio. 		
LIMITACIONES		
<ul style="list-style-type: none"> • Esta garantía no ampara el reemplazo de piezas deterioradas por uso o por desgaste normal, como son: cuchillas, vasos, vasos, filtros, etc. • Grupo HB PS, S.A. de C.V. no se hace responsable por los accidentes producidos a consecuencia de una instalación eléctrica defectuosa, ausencia de toma de tierra, clavija de enchufe en mal estado, etc. 		
EXCEPCIONES		
<p>Esta garantía no será efectiva en los siguientes casos:</p> <ol style="list-style-type: none"> a) Cuando el producto se hubiese utilizado en condiciones distintas a las normales. (Uso industrial, semi-industrial o comercial.) b) Cuando el producto no hubiese sido operado de acuerdo con el instructivo de uso. c) Cuando el producto hubiese sido alterado o reparado por personas no autorizadas por Grupo HB PS, S.A. de C.V. el fabricante nacional, importador o comercializador responsable respectivo. d) Esta garantía pierde su validez si el producto es utilizado en un medio diferente a una vivienda unifamiliar o se somete a cualquier voltaje o forma de onda diferente a la especificada en la etiqueta de clasificación (ej., 120V ~ 60 Hz). <p>El consumidor puede solicitar que se haga efectiva la garantía ante la propia casa comercial donde adquirió su producto, siempre y cuando Grupo HB PS, S.A. de C.V. no cuente con talleres de servicio.</p>		

PROCEDIMIENTO PARA HACER EFECTIVA LA GARANTÍA

- Para hacer efectiva la garantía no deben exigirse mayores requisitos que la presentación del producto y la póliza correspondiente, debidamente sellada por el establecimiento que lo vendió.
- Para hacer efectiva la garantía, lleve su aparato al Centro de Servicio Autorizado más cercano a su domicilio (consulte la lista anexa).
- Si no existe Centro de Servicio Autorizado en su localidad siga las siguientes instrucciones:
 1. Empaque su producto adecuadamente para que no se dañe durante el traslado.
 2. Anote claramente sus datos y los del Centro de Servicio al que está enviando el producto.
 3. No incluya partes sueltas ni accesorios para evitar su pérdida.
- El tiempo de reparación, en ningún caso será mayor de 30 días naturales contados a partir de la fecha de recepción del producto en nuestros Centros de Servicio Autorizados.
- En caso de que el producto haya sido reparado o sometido a mantenimiento y el mismo presente deficiencias imputables al autor de la reparación o del mantenimiento dentro de los treinta días naturales posteriores a la entrega del producto al consumidor, éste tendrá derecho a que sea reparado o mantenido de nuevo sin costo alguno. Si el plazo de la garantía es superior a los treinta días naturales, se estará a dicho plazo.
- El tiempo que duren las reparaciones efectuadas al amparo de la garantía no es computable dentro del plazo de la misma. Cuando el bien haya sido reparado se iniciará la garantía respecto de las piezas repuestas y continuará con relación al resto. En el caso de reposición del bien deberá renovarse el plazo de la garantía.

DÍA__ MES__ AÑO__

Si desea hacer comentarios o sugerencias con respecto a nuestro servicio o tiene alguna queja derivada de la atención recibida en alguno de nuestros Centros de Servicio Autorizados, por favor dirigirse a:

GERENCIA INTERNACIONAL DE SERVICIO (DIMALSA)

Prol. Av. La Joya s/n. Esq. Av. San Antonio, Col. El Infiernillo C.P. 54878, Cuautitlán, Edo de México
Tel. (55) 58 99 62 42 • Fax. (55) 58 70 64 42 • Centro de Atención al consumidor: 01 800 71 16 100

RED DE CENTROS DE SERVICIO AUTORIZADA GRUPO HB PS, S.A. DE C.V.**Distrito Federal**

ELECTRODOMÉSTICOS
Av. Plutarco Elias Cailles No. 1499
Zacahuitzco MEXICO 09490 D.F.
Tel: 01 55 5235 2323 • Fax: 01 55 5243 1397

CASA GARCIA
Av. Patriotismo No. 875-B
Mixcoac MEXICO 03910 D.F.
Tel: 01 55 5563 8723 • Fax: 01 55 5615 1856

Nuevo Leon

FERNANDO SEPULVEDA REFACCIONES
Ruperto Martínez No. 238 Ote.
Centro MONTERREY, 64000 N.L.
Tel: 01 81 8343 6700 • Fax: 01 81 8344 0486

Jalisco

REF. ECONÓMICAS DE OCCIDENTE, S.A. DE C.V.
Garibaldi No. 1450
Ladrón de Guevara
GUADALAJARA 44660 Jal.
Tel: 01 33 3825 3480 • Fax: 01 33 3826 1914

Chihuahua

DISTRIBUIDORA TURMIX
Av. Paseo Triunfo de la Rep. No. 5289 Local 2 A.
Int. Hipermart
Alamos de San Lorenzo
CD. JUAREZ 32340 Chih.
Tel: 01 656 617 8030 • Fax: 01 656 617 8030

Modelo:
54221**Tipo:**
B67**Características Eléctricas:**
120V~ 60Hz 3.0A

Los modelos incluidos en el instructivo de Uso y Cuidado pueden ir seguidos o no por un sufijo correspondiente a una o varias letras del alfabeto y sus combinaciones, separadas o no por un espacio, coma, diagonal, o guión. Como ejemplos los sufijos pueden ser: "Y" y/o "MX" y/o "MXY" y/o "Z".