

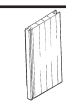
STORAGE / FAN ACCESSORIES

FAN STORAGE

For all window fans, and fans that come already assembled.

- It is important to keep it in a safe, dry location.
- We recommend using the original (or appropriately sized) box.
- Please remember to protect the fan from dust or moisture.

WINDOW FAN ACCESSORIES

Window Fan Extender Panel		To order please go to www.holmesproducts.com or call 1-800-546-5637
---------------------------	---	---

If you have any questions regarding your product or would like to learn more about other Holmes® products, please contact our Consumer Service Department at 1-800-546-5637 or visit our website at www.holmesproducts.com.

© 2011 Sunbeam Products, Inc. doing business as Jarden Consumer Solutions. All Rights Reserved.
Distributed by Sunbeam Products, Inc. doing business as Jarden Consumer Solutions, Boca Raton, Florida 33431.

Printed in China

ALMACENAR / ACCESORIOS PARA VENTILADOR DE VENTANA

ALMACENAJE DEL VENTILADOR

Para todos los ventiladores de ventana, y ventiladores que ya vienen armados.

- Es importante mantenerlo en un lugar seguro y seco.
- Recomendamos usar la caja original (u otra del tamaño apropiado).
- Recuerde proteger el ventilador contra el polvo y la humedad.

ACCESORIOS PARA VENTILADOR DE VENTANA

Ventilador de ventana Panel de extensión		Para realizar un pedido, visite www.holmesproducts.com o llame a 1-800-546-5637
--	---	---

Si tiene preguntas relacionadas con este producto o si está interesado en conocer otros productos Holmes®, póngase en contacto con nuestro Departamento de Servicio al Cliente: llame al 1 (800) 546-5637 o visite nuestro sitio web www.holmesproducts.com.

© 2011 Sunbeam Products, Inc. operando bajo el nombre de Jarden Consumer Solutions. Todos los derechos reservados.
Distribuido por Sunbeam Products, Inc. operando bajo el nombre de Jarden Consumer Solutions, Boca Raton, Florida 33431.

153628/9100010012537

HAWF2021_11ESM1

Impreso en China

GCDS-HOL22427-PH

WARRANTY INFORMATION

1 YEAR LIMITED WARRANTY

Sunbeam Products, Inc. doing business as Jarden Consumer Solutions or if in Canada, Sunbeam Corporation (Canada) Limited doing business as Jarden Consumer Solutions (collectively "JCS") warrants that for a period of one year from the date of purchase, this product will be free from defects in material and workmanship. JCS, at its option, will repair or replace this product or any component of the product found to be defective during the warranty period. Replacement will be made with a new or remanufactured product or component. If the product is no longer available, replacement may be made with a similar product of equal or greater value. This is your exclusive warranty. Do NOT attempt to repair or adjust any electrical or mechanical functions on this product. Doing so will void this warranty.

This warranty is valid for the original retail purchaser from the date of initial retail purchase and is not transferable. Keep the original sales receipt. Proof of purchase is required to obtain warranty performance. JCS dealers, service centers, or retail stores selling JCS products do not have the right to alter, modify or any way change the terms and conditions of this warranty.

This warranty does not cover normal wear of parts or damage resulting from any of the following: negligent use or misuse of the product, use on improper voltage or current, use contrary to the operating instructions, disassembly, repair or alteration by anyone other than JCS or an authorized JCS service center. Further, the warranty does not cover: Acts of God, such as fire, flood, hurricanes and tornadoes.

What are the limits on JCS's Liability?

JCS shall not be liable for any incidental or consequential damages caused by the breach of any express, implied or statutory warranty or condition.

Except to the extent prohibited by applicable law, any implied warranty or condition of merchantability or fitness for a particular purpose is limited in duration to the duration of the above warranty.

JCS disclaims all other warranties, conditions or representations, express, implied, statutory or otherwise.

JCS shall not be liable for any damages of any kind resulting from the purchase, use or misuse of, or inability to use the product including incidental, special, consequential or similar damages or loss of profits, or for any breach of contract, fundamental or otherwise, or for any claim brought against purchaser by any other party.

Some provinces, states or jurisdictions do not allow the exclusion or limitation of incidental or consequential damages or limitations on how long an implied warranty lasts, so the above limitations or exclusion may not apply to you.

This warranty gives you specific legal rights, and you may also have other rights that vary from province to province, state to state or jurisdiction to jurisdiction.

How to Obtain Warranty Service

In the U.S.A.

If you have any questions regarding this warranty or would like to obtain warranty service, please call 1-800-546-5637 and a convenient service center address will be provided to you.

In Canada

If you have any questions regarding this warranty or would like to obtain warranty service, please call 1-800-546-5637 and a convenient service center address will be provided to you.

In the U.S.A., this warranty is offered by Sunbeam Products, Inc. doing business as Jarden Consumer Solutions located in Boca Raton, Florida 33431. In Canada, this warranty is offered by Sunbeam Corporation (Canada) Limited doing business as Jarden Consumer Solutions, located at 20 B Hereford Street, Brampton, Ontario L6Y 0M1. If you have any other problem or claim in connection with this product, please write our Consumer Service Department. **PLEASE DO NOT RETURN THIS PRODUCT TO ANY OF THESE ADDRESSES OR TO THE PLACE OF PURCHASE.**

INFORMACIÓN DE LA GARANTÍA

GARANTÍA LIMITADA DE 1 AÑO

Sunbeam Products, Inc. operando como Jarden Consumer Solutions o en Canadá, Sunbeam Corporation (Canada) Limited operando como Jarden Consumer Solutions (colectivamente "JCS") garantiza que durante un periodo de dos años a partir de la fecha de compra, este producto no presentará defectos de materiales o de fabricación. JCS, a su criterio, reparará o reemplazará este producto o cualquier componente del producto que presente defectos durante el periodo de garantía. El reemplazo se realizará con un producto o componente nuevo o reacondicionado. Si no se puede conseguir el mismo producto, se lo reemplazará por otro similar de igual o mayor valor. Esta es su garantía exclusiva. NO intente reparar o ajustar ninguna función eléctrica o mecánica de este producto. El hacerlo invalidará esta garantía.

Esta garantía es válida para el comprador original a partir de la fecha original de compra y no es transferible.

Conserve el recibo original de compra. Necesitará un comprobante de compra para obtener servicio de garantía. Los distribuidores de JCS, centros de servicio o tiendas de venta de productos JCS no tienen derecho a modificar, alterar o de cambiar de ninguna forma los términos y condiciones de esta garantía.

Esta garantía no cubre el desgaste normal de las partes o el daño debido a cualquiera de las siguientes condiciones: Uso negligente o abuso del producto, utilización con voltaje o corriente inadecuados, uso contrario a las instrucciones de operación, desarmado, reparación o alteración por alguien que no sea JCS o un centro de servicio autorizado por JCS. Además, la garantía no cubre: Casos fortuitos, como incendios, inundaciones, huracanes y tornados.

¿Cuáles son las limitaciones de responsabilidad de JCS?

JCS no se hará responsable por ningún daño indirecto, incidental o consecuente causado por el incumplimiento de cualquier garantía o condición explícita, implícita o legal.

Excepto en los casos prohibidos por las leyes vigentes, toda garantía o condición de comerciabilidad o aptitud para un fin determinado implícita queda limitada en su duración al término de esta garantía.

JCS renuncia a cualquier otra garantía, condición o representación, explícita, implícita, legal o de cualquier otro tipo.

JCS no será responsable por ningún daño de ninguna clase causado por la compra, uso o abuso del producto, o por la inhabilidad de usar el producto incluyendo daños incidentales, especiales, indirectos o similares o por lucro cesante, o por cualquier incumplimiento de contrato, fundamental o no, o por cualquier reclamo presentado contra el comprador por cualquier otra persona.

Algunas provincias, estados o jurisdicciones no permiten la exclusión o limitación de daños incidentales o indirectos o la limitación con respecto a cuanto dura una garantía implícita, por lo tanto las exclusiones o limitaciones anteriores pueden no aplicarse en su caso.

Esta garantía le otorga derechos legales específicos, y usted puede también tener otros derechos los que varían de estado a estado, de provincia a provincia o de jurisdicción a jurisdicción.

Cómo obtener servicio de garantía

En los Estados Unidos

Si tiene alguna pregunta con respecto a esta garantía o desea obtener servicio de garantía, llame al 1-800-546-5637 y le daremos la dirección del centro de servicio más conveniente para usted.

En Canadá

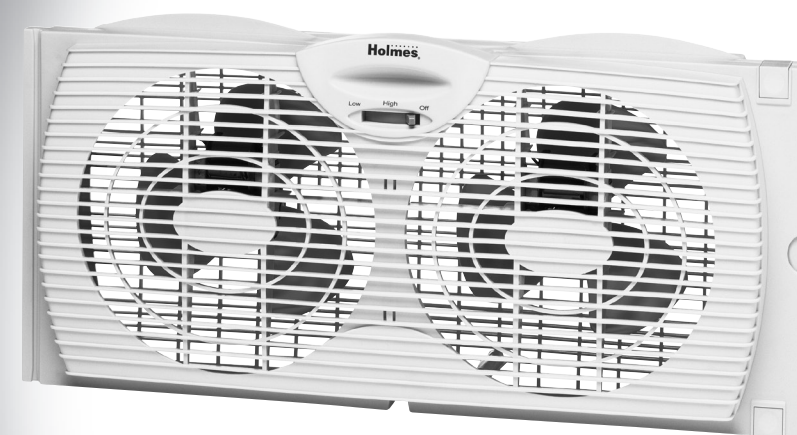
Si tiene alguna pregunta con respecto a esta garantía o desea obtener servicio de garantía, llame al 1-800-546-5637 y le daremos la dirección del centro de servicio más conveniente para usted.

En los Estados Unidos, esta garantía se ofrece a través de Sunbeam Products, Inc. operando como Jarden Consumer Solutions ubicado en Boca Raton, Florida 33431. En Canadá, esta garantía se ofrece a través de Sunbeam Corporation (Canada) Limited operando como Jarden Consumer Solutions ubicado en 20B Hereford Street, Brampton, Ontario, L6Y 0M1. Si tiene cualquier otro problema o reclamo con relación a este producto, por favor escriba a nuestro Departamento de Servicio al Consumidor. **POR FAVOR, NO RETORNE ESTE PRODUCTO A NINGUNA DE ESAS DIRECCIONES O AL LUGAR DONDE LO HAYA COMPRADO.**

Holmes®

Owner's Guide

HAWF2021
HAWF2021TG



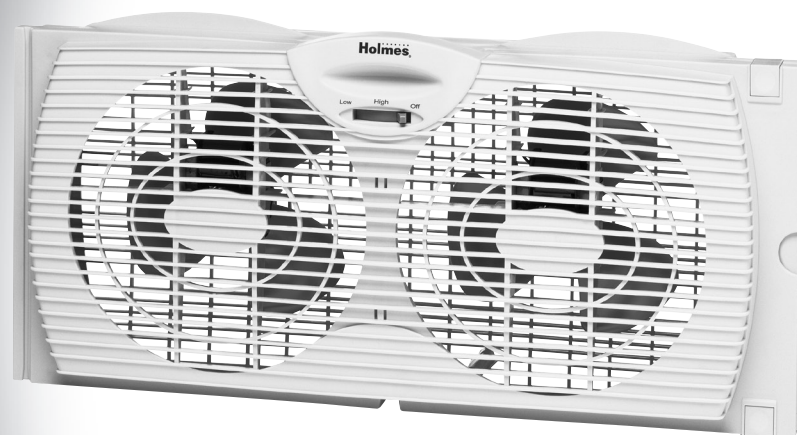
Twin Window Fan

PLEASE READ AND SAVE THESE IMPORTANT INSTRUCTIONS

Holmes®

Manual del propietario

HAWF2021
HAWF2021TG



Ventilador Doble de Ventana

LEA Y CONSERVE ESTAS INSTRUCCIONES IMPORTANTES

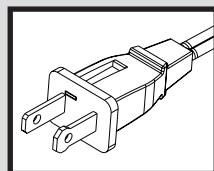
PLEASE READ AND SAVE THESE IMPORTANT SAFETY INSTRUCTIONS

When using electrical appliances, basic safety precautions should always be taken including the following:

1. Read all instructions before using this appliance.
2. Use fan only for purposes described in the instruction manual.
3. To protect against electrical shock do not immerse unit, plug or cord in water or spray with liquids and plug the appliance directly into a 120V AC electrical outlet.
4. Close supervision is necessary when any appliance is used by or near children.
5. Unplug from outlet when not in use, when moving fan from one location to another, before putting on or taking off parts and before cleaning.
6. Avoid contact with moving parts.
7. Do not operate in the presence of explosive and/or flammable fumes.
8. To avoid fire hazard, NEVER place the cord under rugs or any parts near an open flame, cooking or other heating appliance.
9. Do not operate any appliance with a damaged cord or plug after the appliance malfunctions, or has been dropped/damaged in any manner. Discard fan or return to an authorized service facility for examination and/or repair.
10. Do not run cord under carpeting. Do not cover cord with throw rugs, runner, or similar coverings. Do not route cord under furniture or appliances. Arrange cord away from traffic area and where it will not be tripped over.
11. The use of attachments not recommended or sold by the appliance manufacturer may cause hazards.
12. Do not let the cord hang over the edge of a table, counter or come in contact with hot surfaces or leave exposed to high traffic areas.

13. Do not use outdoors.
14. To disconnect, grip plug and pull from wall outlet. Never yank on cord.
15. Always use on a dry, level surface.
16. Do not operate fan until fully assembled with all parts properly in place.
17. This product is intended for household use ONLY and not for commercial or industrial applications.
18. **WARNING:** To reduce the risk of fire or electric shock, do not use this fan with any solid-state speed control device.
19. This product employs overload protection (fuse). A blown fuse indicates an overload or short-circuit situation. If the fuse blows, unplug the product from the outlet. Replace the fuse as per the user servicing instructions (follow product marking for proper fuse rating) and check the product. If the replacement fuse blows, a short circuit may be present and the product should be discarded or returned to an authorized service facility for examination and/or repair.

PLEASE READ AND SAVE THESE IMPORTANT SAFETY INSTRUCTIONS



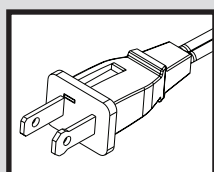
THIS APPLIANCE HAS A POLARIZED PLUG (one blade is wider than the other). To reduce the risk of electric shock, this plug is intended to fit in a polarized outlet only one way. If the plug does not fit fully in the outlet, reverse the plug. If it still does not fit, contact a qualified electrician to install the proper outlet.

DO NOT ATTEMPT TO MODIFY THIS PLUG OR DEFEAT THIS SAFETY FEATURE IN ANY WAY.

LEA Y CONSERVE ESTAS INSTRUCCIONES IMPORTANTES DE SEGURIDAD

Cuando se usen artefactos eléctricos, siempre se deben tomar precauciones básicas de seguridad, incluyendo las siguientes:

1. Lea todas las instrucciones antes de usar este artefacto.
2. Sólo utilice el ventilador para el propósito descrito en este manual.
3. Para evitar los riesgos de choque eléctrico, no sumerja la unidad, el enchufe ni el cordón en agua ni les rocíe líquidos. Enchufe el artefacto directamente a un tomacorriente de 120 V de CA.
4. Se necesita supervisión estrecha cuando los niños usen cualquier artefacto o se usen cerca de ellos.
5. Siempre desenchufe el ventilador cuando no esté en uso, antes de moverlo a otro lugar, instalarlo o quitarle piezas o limpiarlo.
6. Evite el contacto con las piezas móviles.
7. NO opere esta unidad en presencia de gases o vapores explosivos y/o inflamables.
8. Para evitar el riesgo de incendio NUNCA coloque el cordón debajo de alfombras ni parte alguna cerca de llamas abiertas, hornillas ni otros artefactos que generen calor.
9. No opere artefacto alguno con el cordón o el enchufe dañados, después de haber funcionado mal, de haberse caído o dañado de cualquier forma. Deshágase del ventilador o llévelo a un servicio técnico autorizado para su revisión o reparación.
10. No extienda el cable debajo de la alfombra. No cubra el cable con tapetes, alfombras de camino o cubiertas similares. Coloque el cable lejos del área de tráfico y donde nadie se vaya a tropezar.
11. El uso de accesorios o dispositivos no recomendados o vendidos por el fabricante puede generar riesgos.
12. No permita que el cordón cuelgue de la mesa o mostrador, que haga contacto con superficies calientes, ni lo deje expuesto en áreas de mucho tránsito.



ESTE PRODUCTO TIENE UN ENCHUFE POLARIZADO (una hoja es más ancha que la otra). A fin de disminuir el riesgo de descarga eléctrica, este enchufe está diseñado para insertarse en un tomacorriente polarizado en un solo sentido. Si el enchufe no entra completamente en el tomacorriente, invértalo. Si aun así no entra, llame a un electricista calificado para instalar un tomacorriente apropiado.

NO MODIFIQUE EL ENCHUFE NI ANULE ESTA FUNCION DE SEGURIDAD DE NINGUNA MANERA.

FEATURES - OPERATIONS

INSTALLATION INSTRUCTIONS

Carefully unpack all contents of carton.

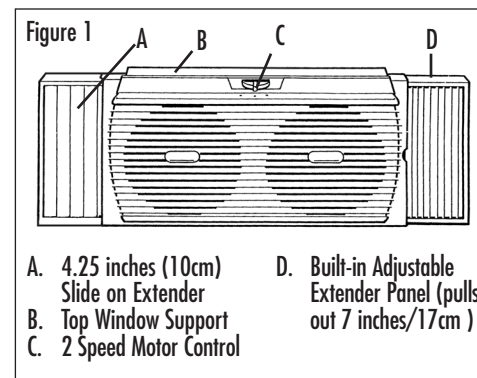
NOTE: MAKE SURE YOU REMOVE ALL CONTENTS FROM THE PACKAGE. PLEASE CHECK PACKAGING MATERIALS FOR PARTS THAT COULD BE REQUIRED TO OPERATE YOUR FAN.

- The window fan comes fully assembled and is ready for immediate installation.
- Before installation, familiarize yourself with the built-in 7 inches (17cm) extender on the right side of the fan, and the additional 4.25 inches (10cm) extender which attach to the left side of the fan housing (see Figure 1).

NOTE: WE RECOMMEND KEEPING YOUR WINDOW SCREEN IN PLACE.

This window fan has been designed to fit double-hung windows with minimum openings of 22 inches (55cm) wide and 10 inches (25cm) high.

1. Align the Window Fan horizontally in the window and the Built-In Extender Panel to the right.
2. With the window open take an accurate measurement of the opening where the unit will be placed.
3. Match your window measurement with the **INSTALLATION GUIDE**.
4. Once you have attached the extender panel(s) (if needed), set the fan in the window. You will complete installation with built-in extender. Pull out both clips on right side of the fan then pull out the built-in extender. To lock extender into place, push the clips down.



5. Carefully close the window onto the top of the fan so that the bottom edge of the window rests behind top line of fan housing. This helps keep the fan in place.

For slider windows (will fit windows 10 inches/25cm wide and 36 inches/91cm high)

In a slider window, the control must face inward, towards the window. The 7 inches (17cm) built-in extender will be positioned on top. Prior to installing unit in window, measure the height and adjust the upper extender for a snug fit.

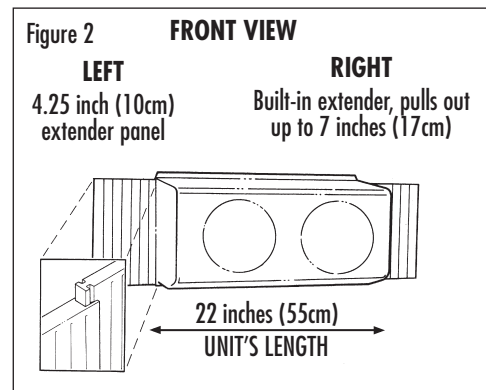
NOTE: In some slider windows you may need to remove the screen.

INSTALLATION GUIDE

For 22 inches (55cm) to 29 inches (73cm): Use up to 7 inches (17cm) of right side, pull out extender panel.

For 29 inches (73cm) to 33.25 inches (83cm): Use one 4.25 inches (10cm) extender panel on the left side. Adjust the pull out extender on the right side for a tight fit (from 0.5 inches (1cm) to 7 inches (17cm)).

Larger than 33.25 inches (83cm): Additional extender panels will be required (See Window Fan Accessory Section).



CLEANING / MAINTENANCE

OPERATING INSTRUCTIONS

- Make sure rotary switch is in the OFF position.
- Plug into 120V AC electric outlet.
- To use in EXHAUST mode, manually turn the unit around in the window. (Controls can be operated from both sides.)
- To start the unit, turn the rotary switch(C) to desired speed (high or low).

WARNING: BE SURE FAN IS SECURELY INSTALLED IN YOUR WINDOW AT ALL TIMES. DO NOT LEAN OR PUSH ON FAN WHILE IT IS IN THE WINDOW.

CLEANING/MAINTENANCE INSTRUCTIONS

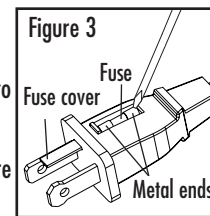
Follow these instructions to correctly and safely care for your window fan. Please remember:

REPLACEABLE FUSE

If your (5 Amp, 125 Volt) replaceable fuse blows, please order a new fuse at 1-800-546-5637. Follow the below instructions to replace the fuse on the plug.

User Servicing Instructions

1. Unplug your fan. Grasp plug and remove from the receptacle or other outlet device. Do not unplug by pulling on cord.
2. Open fuse cover, located on the top of the plug, by using your thumb or a flathead screwdriver to slide the cover down towards the prongs.
3. Remove fuse carefully by using a small screwdriver to pry the fuse out of the compartment by the metal ends of the fuse (see Figure 3).



4. Place plug on a solid, flat surface. Insert new 5 Amp, 125 Volt fuse into fuse compartment and use a small screwdriver to secure the metal ends of the fuse into the compartment.
5. Slide fuse cover closed completely. If fuse cover is difficult to close, make sure fuse is secured in place completely by pressing down on metal ends of the fuse.
6. Risk of fire. Do not replace attachment plug. Contains a safety device (fuse) that should not be removed. Discard product if the attachment plug is damaged.

FAN CLEANING

- Always unplug the fan before cleaning or disassembling.
- Do not allow water to drip on or enter into the fan motor housing.
- Be sure to use a soft cloth moistened with mild soap solution.
- Do not use any of the following as a cleaner: gasoline, thinner, benzene.

Fan Blade and Front Grill Cleaning

1. Make sure the fan is unplugged.
2. Using a Phillips head screwdriver, remove the screws that hold the front and rear grills together. Carefully separate the front and the rear grills from the end opposite the built in extender. Do not completely detach the grills as this may damage the extender clips. Separate only enough to gain access to the blades with one hand.
3. Clean blades and grills with a soft, moist cloth (see above).
4. Securely fasten the grills together.

CARACTERÍSTICAS Y OPERACIONES

INSTRUCCIONES DE INSTALACIÓN

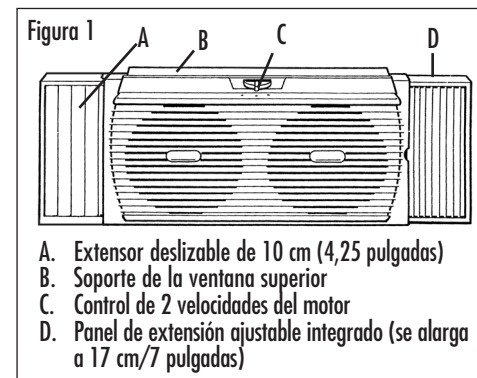
Saque todo el contenido de la caja de cartón con cuidado.

NOTA: ASEGÚRESE DE EXTRAER TODO EL CONTENIDO DEL EMBALAJE. COMPRUEBE QUE EN EMBALAJE ESTÁN TODAS LAS PIEZAS NECESARIAS PARA QUE SU VENTILADOR FUNCIONE.

- Su ventilador de ventana viene completamente armado y listo para su instalación.
- Antes de la instalación, familiarícese con el extensor integrado de 17 cm (7 pulgadas) que se encuentra a la derecha del ventilador y con el extensor de 10 cm (4,25 pulgadas) que se acopla al lado izquierdo de la cubierta del ventilador (ver Figura 1).

NOTA: LE RECOMENDAMOS MANTENER LA REJA DE SU VENTANA EN SU LUGAR.

Este ventilador de ventana ha sido diseñado para ventanas de guillotina con una abertura mínima de 22" (55cm) de ancho y 10" (25cm) de alto.



1. Alinee el ventilador de ventana de forma horizontal en la ventana y el panel extensor integrado hacia la derecha.
2. Con la ventana abierta tome una medición precisa de la abertura donde se colocará la unidad.
3. Compare la medida de su ventana con la **GUÍA DE INSTALACIÓN**.
4. Luego de haber adjuntado los paneles de extensión (si son necesarios), coloque el ventilador en la ventana. Completará la instalación con el extensor integrado. Saque ambos ganchos del lado derecho del ventilador y luego saque el extensor integrado. Para ajustar el extensor en su lugar, presione los ganchos hacia abajo.

5. Cierre la ventana cuidadosamente hasta la parte superior del ventilador para que la parte inferior de la ventana se apoye detrás de la línea superior de la cubierta del ventilador. Esto ayuda a mantener el ventilador en su lugar.

Para ventanas corredizas (se ajustará a ventanas de 25 cm/10 pulgadas de ancho y 91 cm/36 pulgadas de alto)

En una ventana corrediza, el control debe estar orientado hacia adentro, hacia la ventana. El extensor integrado de 17 cm (7 pulgadas) se colocará en la parte superior. Antes de instalar la unidad en la ventana, mida la altura y ajuste el extensor superior para un ajuste perfecto.

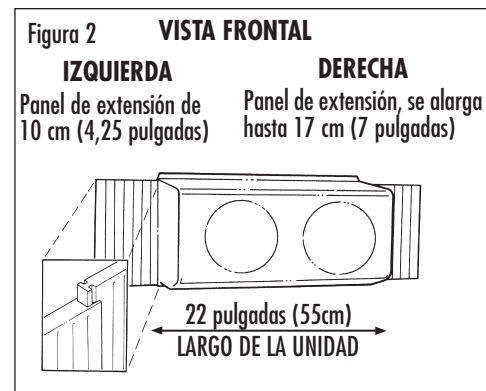
NOTA: En algunas ventanas corredizas, es posible que daba retirar la reja.

GUÍA DE INSTALACIÓN

Para 55 cm (22 pulgadas) a 73 cm (29 pulgadas): Utilice un panel extensor de hasta 17 cm (7 pulgadas) del lado derecho.

Para 73 cm (29 pulgadas) a 83 cm (33,25 pulgadas): Utilice un panel extensor de 10 cm (4,25 pulgadas) en el lado izquierdo. Ajuste el extensor del lado derecho para un ajuste perfecto (de 1 cm (0,5 pulgadas) a 17 cm (7 pulgadas)).

Más de 83 cm (33,25 pulgadas): Necesitará paneles de extensión adicionales (Consulte la Sección Accesorios para ventiladores de ventana).



LIMPIEZA / MANTENIMIENTO

INSTRUCCIONES DE FUNCIONAMIENTO

- Asegúrese de que el conmutador rotativo se encuentre en la posición de APAGADO.
- Enchufe el ventilador en un tomacorriente de 120V CA.
- Para usarlo en modo ESCAPE, gire totalmente la unidad que está sobre la ventana en forma manual. (Los controles pueden operarse desde ambos lados).
- Para encender la unidad, gire el conmutador rotativo hasta la velocidad deseada (Alta o Baja).

ADVERTENCIA: VERIFIQUE QUE EL VENTILADOR QUEDE BIEN INSTALADO EN SU VENTANA TODO EL TIEMPO. NO SE APOYE O EMPUJE EL VENTILADOR CUANDO ESTÉ COLOCADO EN LA VENTANA.

LIMPIEZA / MANTENIMIENTO INSTRUCCIONES

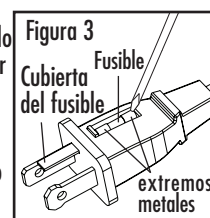
Siga estas instrucciones para cuidar su ventilador de forma correcta y segura. Recuerde:

FUSIBLE REEMPLAZABLE

Si el fusible de repuesto (5 amperios, 125 voltios) se daña, ordene uno nuevo al 1-800-546-5637. Siga las siguientes instrucciones para reemplazar el fusible en la clavija.

Instrucciones de Mantenimiento para el Usuario

1. Desconecte el ventilador. Sujete el enchufe y retirelo del receptáculo o cualquier otro dispositivo de toma eléctrica. Nunca desconecte jalando el cable.
2. Abra la cobertura del fusible, ubicada en la parte superior del enchufe, utilizando su pulgar o un destornillador plano para deslizar la cubierta hacia abajo en dirección de las puntas.
3. Retire el fusible con cuidado utilizando un destornillador pequeño para hacer palanca en los extremos metálicos del fusible y sacarlo del compartimiento (ver Figura 3).



4. Coloque el enchufe en una superficie plana y sólida. Inserte un fusible nuevo de 5 amperios y 125 voltios en el compartimiento del fusible y utilice un destornillador para asegurar los extremos metálicos del fusible en el compartimiento.
5. Deslice la cubierta del fusible de nuevo hasta cerrarla completamente. Si se presenta alguna dificultad al cerrar la cubierta, asegúrese de que el fusible esté puesto en su lugar correctamente, haciendo presión en los extremos metálicos del fusible.
6. Peligro de incendio. No reemplace el enchufe de conexión. Cuenta con un dispositivo de seguridad (fusible) que no debería quitarse. Deseche el producto si el enchufe de conexión está dañado.

LIMPIEZA DEL VENTILADOR

- Siempre desenchufe la unidad antes de limpiarla.
- No permita que gotee o caiga agua dentro del casco del motor.
- Limpie el ventilador con un trapo suave humedecido en una solución de agua con jabón suave.
- No use los siguientes como producto limpiador: gasolina, diluyente de pintura o bencina.

Limpieza de las Paletas y de la Rejilla Frontal

1. Asegúrese de que el ventilador esté desenchufado.
2. Utilizando un destornillador Phillips, quite los tornillos que sostienen las rejillas frontal y posterior entre sí. Separe con cuidado la rejilla delantera y trasera desde el extremo opuesto a los extensibles incorporados. No separe completamente las rejillas, ya que es posible que las grapas de los extensibles se dañen. Sólo separe lo suficiente para poder acceder a las paletas con una mano.
3. Limpie las paletas y las rejillas con una tela suave y húmeda (ver abajo).
4. Sujete firmemente las rejillas todas juntas.