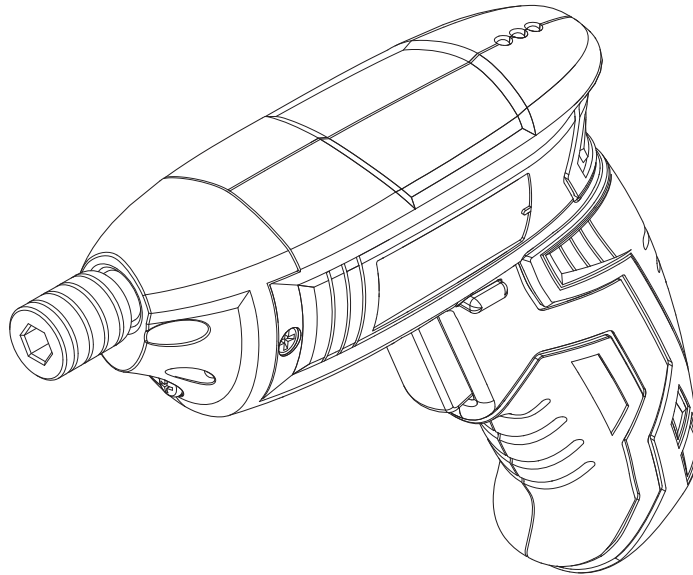




3.6V LITHIUM-ION CORDLESS SCREWDRIVER



Model # 49103
bit.ly/wenvideo




IMPORTANT:

Your new tool has been engineered and manufactured to WEN's highest standards for dependability, ease of operation, and operator safety. When properly cared for, this product will supply you years of rugged, trouble-free performance. Pay close attention to the rules for safe operation, warnings, and cautions. If you use your tool properly and for intended purpose, you will enjoy years of safe, reliable service.

NEED HELP? CONTACT US!

Have product questions? Need technical support?
Please feel free to contact us at:

 **800-232-1195** (M-F 8AM-5PM CST)

 techsupport@wenproducts.com

 WENPRODUCTS.COM



TABLE OF CONTENTS

Technical Data	2
Introduction	3
General Safety Rules.....	4
Specific Rules for Screwdrivers	6
Safety Rules for Batteries & Chargers.....	6
Electrical Information.....	8
Know Your Screwdriver	9
Charging Your Screwdriver	9
Operation	10
Maintenance	11
Disposal	11
Exploded View and Parts List	12
Warranty.....	14

TECHNICAL DATA

Model Number:	49103
Charger Input Voltage:	120V AC, 60 Hz, 0.15A
Charger Output Voltage:	5V DC, 0.5A
Battery:	3.6V DC Li-ion, 1.3 Ah
Rated Speed:	180 RPM
Rated Torque:	31 in.lbs. (3.5 N.m.)
Chuck Capacity:	1/4 in. (6mm)
Weight:	0.8 lbs
Included Screwdriver Bits:	One Phillips Head Bit Two Flat Head Bits

INTRODUCTION

Thanks for purchasing the WEN Cordless Screwdriver. You now have the perfect companion for inserting and removing screws. However, before screw driving anything, please take a moment to read through this manual. It contains important information regarding safety, assembly and operation of this product. Please keep this manual available to all users during the entire life of the screwdriver.

Read and observe all warnings, cautions, and instructions in this manual before the operation of this screwdriver and charger. Failure to follow instructions and safety information could result in serious injury.



QUESTIONS? PROBLEMS?

In order to answer questions and solve problems in the most efficient and speedy manner, please contact our Customer Service at (800) 232-1195, M-F 8-5 CST.

NOTE: The following safety information is not meant to cover all possible conditions and situations that may occur. WEN reserves the right to change this product and specifications at any time without prior notice.

GENERAL SAFETY RULES

Safety is a combination of common sense, staying alert and knowing how your item works.

SAVE THESE SAFETY INSTRUCTIONS.



WARNING! Read all safety warnings and all instructions. Failure to follow the warnings and instructions may result in electric shock, fire and serious injury. To avoid mistakes and serious injury, do not plug in your tool until the following steps have been read and understood.

WORK AREA SAFETY

1. Keep work area clean and well lit. Cluttered or dark areas invite accidents. Do not work on floor surfaces that are slippery with sawdust or wax. Keep the ground clear of tripping hazard.
2. Do not operate power tools in explosive atmospheres, such as in the presence of flammable liquids, gases or dust. Power tools create sparks which may ignite the dust or fumes.
3. Keep bystanders at a safe distance from the work area. Never allow children or pets near the tool.

ELECTRICAL SAFETY

1. Do not expose power tools to rain or wet conditions. Water entering a power tool will increase the risk of electric shock.
2. Power tool plugs must match the outlet. Never modify the plug in any way. Modified plugs with non-matching outlets will increase the risk of electric shock.
3. Check all power supplies periodically. Do not use defective cords. Damaged or entangled cords increase the risk of electric shock.
4. Do not abuse the cord. Never use the cord for carrying, pulling or unplugging the power tool. Keep cord away from heat, oil, sharp edges or moving parts.

PERSONAL SAFETY

1. Stay alert. Watch what you are doing and use common sense when operating a power tool. Do not use a power tool while you are tired or under the influence of drugs, alcohol or medication. A moment of inattention while operating power tools may result in serious personal injury.
2. Do no overreach. Keep proper footing and balance at all times when operating the power tool.
3. Dress appropriately. Do not wear loose clothing, gloves, neckties, or jewelry (rings, watches, etc.) when operating the tool. Inappropriate clothing and items can get caught in moving parts and draw you in. Always wear non-slip footwear and tie back long hair.
4. Use personal protective equipment. Wear safety goggles at all times that comply with ANSI Z87.1. Use ear protection such as plugs or muffs during extended periods of operation. Wear work gloves to protect your hands. Wear a face mask or dust mask to fight the dust.



WARNING: Dust generated from certain materials can be hazardous to your health. Always operate the tool in a well-ventilated area and provide for proper dust removal. Use dust collection systems whenever possible.

GENERAL SAFETY RULES

POWER TOOL OPERATION

1. Avoid accidental start-ups. Make sure the power switch is in the OFF position before connecting the plug to a power source or carrying the tool.
2. Check power tool for damaged parts. Check for misalignment of moving parts, jamming, breakage, improper mounting, or any other conditions that may affect the tool's operation. Any part that is damaged should be properly repaired or replaced before use.
3. Do not force the tool to do a job for which it was not designed. Use correct accessories and follow the instructions for your application to prevent hazardous situations.
4. Remove adjustment tools. Always make sure all adjustment tools or wrenches are removed from the tool before turning on the power tool.
5. Keep guards in place and in working order before operating the tool. All protection and safety devices must be replaced after completing repair and maintenance procedures
6. Never leave a running tool unattended. Do not leave the tool until it has come to a complete stop.

POWER TOOL MAINTENANCE

1. Always disconnect the power cord plug from the electrical outlet when making adjustments, changing parts, or storing power tools. Such preventive safety measures reduce the risk of starting the power tool accidentally.
2. Maintain power tools properly. Safely store power tools out of the reach of children. Always keep tools clean and in good working order. Follow instructions for lubricating and changing accessories.
3. Only have your power tool serviced by a qualified repair person using only identical replacement parts. Use of any other part can cause personal injury and damage to the tool.

BATTERY TOOL USE AND CARE

1. Recharge only with the charger specified by the manufacturer. A charger that is suitable for one type of battery pack may create a risk of fire when used with another battery pack.
2. Use power tools only with specifically designated battery packs. Use of any other battery packs may create a risk of injury and fire.
3. When battery pack is not in use, keep it away from other metal objects, like paper clips, coins, keys, nails, screws or other small metal objects, that can make a connection from one terminal to another. Shorting the battery terminals together may cause burns or a fire.
4. Do not place battery tools or their batteries near fire or heat. This will reduce the risk of explosion and possible injuries.
5. Battery tools do not have to be plugged into an electrical outlet; therefore, they are always in operating condition. Be aware of possible hazards when not using your battery tool or during charging.
6. Under abusive conditions, liquid may be ejected from the battery; avoid contact to prevent irritation or burns. If contact accidentally occurs, flush with water. If liquid contacts eyes, additionally seek medical help.

SPECIFIC RULES FOR SCREWDRIVERS

1. Hold the screwdriver only by the insulated gripping surfaces during operation. Fasteners that contact hidden wiring may make the exposed metal parts of the power tool “live” and could electrically shock the operator.
2. Store the screwdriver and charger indoors in dry condition. Do not expose the screwdriver or the charger to temperatures over 104°F (40°C).
3. Be sure you always have a firm footing and hold the tool firmly. Keep hands, hair and other beloved body parts away from the rotating components of the tool.
4. Always secure the workpiece, especially if the workpiece is small.
5. Use the appropriate drill bits suitable for the material and the operation speed.
6. Do not touch the bit or the workpiece immediately after operation. They may be hot and could burn your skin.
7. Always remove the machine from the charger immediately after re-charging is completed.
8. Do not try to open or disassemble your screwdriver. Do not open and replace the battery cells.



WARNING! Some dust created by power sanding, sawing, grinding, drilling, and other construction activities contains chemicals known to cause cancer, birth defects or other reproductive harm.

Some examples of these chemicals are: lead from lead-based paints, crystalline silica from bricks and cement and other masonry products, and arsenic and chromium from chemically-treated lumber.

To reduce your exposure to these chemicals work in a well ventilated area, and always use dust masks that are specially designed to filter out microscopic particles

SAFETY RULES FOR BATTERIES & CHARGERS

CHARGING THE BATTERY

1. Before charging and using the battery, read all cautionary markings on the battery charger and the product using the battery.
2. Only recharge the battery with the charger specified by the manufacturer. Do not use the supplied battery charger to charge other cordless tools as undesirable risks such as fire or death may occur when used with another battery.
3. Inspect the power tool and charger before charging. Do not operate the charger with a damaged cord or plug.
4. Electrical plugs must match the outlet. Never modify the plug in any way. Do not use any adapter plugs with grounded appliances. Do not attempt to use a step-up transformer, an engine generator or a DC power receptacle.
5. This charger is for indoor use only. Do not expose to rain or use in damp locations.
6. Do not place the tool or the charger near fire or heat. Place the charger on a flat non-flammable surface and away from open flame and flammable materials before charging.

SAFETY RULES FOR BATTERIES AND CHARGERS

7. Do not charge the tool inside a box or container of any kind. The tool must be placed in a well-ventilated area during charging. Do not allow anything to cover or clog the charging vents.
8. Do not operate the charger or the tool if it has received a sharp blow, either from being dropped or damaged. Take it to a qualified service technician before attempting to use.
9. Never use or charge a battery if you suspect that it has been more than 12 months since the last time it was charged. There is a high probability that the battery has already suffered dangerous damage (exhaustive discharge).
10. The battery will become warm during extended periods of use. Allow the battery pack to cool to room temperature before charging it again. This will protect the life of your battery.
11. Always charge the battery pack between temperatures 32 to 86 °F (0 to 30 °C). Ideal charging temperature is 64 to 75 °F (18 to 24 °C).
12. Disconnect the charger from the power source and the battery tool when not in use. This will reduce the risk of damage to the charger during a power surge or if metal pieces should fall into the opening.

USING THE BATTERY

1. Only use the tool with the battery specified by the manufacturer. Use of any other battery packs may result in a risk of injury and fire.
2. Under abusive conditions, liquid may be ejected from the battery. Avoid contact with this liquid like you would a fire or an ex-lover. If contact accidentally occurs, flush the contact area with water. If the liquid contacts your eyes, flush with water for 10 minutes and then seek medical help. Liquid ejected from the battery may cause irritation or burns.
3. If operating time has become excessively shorter, stop operating immediately. It may result in overheating, burning, or even an explosion.

MAINTAINING THE BATTERY AND CHARGER

1. To reduce the risk of electric shock, always unplug the charger from the outlet before attempting any maintenance or cleaning.
2. Protect the battery charger and its cord from damage. Keep the charger and its cord away from heat, oil and sharp edges. Keep the tool out of the reach of children.
3. Do not remove the battery pack from the tool.
4. Store the tool and battery pack in a location where temperatures will not exceed 104 °F (40 °C). This will help prevent serious damage to the battery cells.
5. Do not disassemble the charger or the tool. Take these to a qualified service technician when service or repairs are required. Incorrect assembly may result in electric shock or fire.
6. Do not dispose of the battery or the tool in fire or with household waste. Take it to your local recycling facility.

ELECTRICAL INFORMATION

GROUNDING INSTRUCTIONS FOR PRODUCTS WITH GROUNDING PLUGS



WARNING: This tool must be grounded while in use to protect the operator from electric shock.

1. In the event of a malfunction or breakdown, grounding provides the path of least resistance for an electric current and reduces the risk of electric shock. This charger is equipped with an electric cord that has an equipment grounding conductor and a grounding plug.

CAUTION: In all cases, make certain the outlet in question is properly grounded. **CHECK** with a licensed electrician or service personnel if you do not completely understand the grounding instructions or whether the tool is properly grounded.

2. The plug must be plugged into a matching outlet that is properly installed and grounded in accordance with all local codes and ordinances. **DO NOT** modify the plug provided. If it will not fit the outlet, have the proper outlet installed by a licensed electrician.

3. Improper connection of the equipment grounding conductor can result in electric shock. The conductor with the green insulation (with or without yellow stripes) is the equipment grounding conductor. If repair or replacement of the electric cord or plug is necessary, **DO NOT** connect the equipment grounding conductor to a live terminal.



WARNING: This charger is for indoor use only. Do not expose to rain or use in damp locations.

GUIDELINES FOR USING EXTENSION CORDS

1. Make sure your extension cord is properly wired and in good condition. Always replace a damaged extension cord or have it repaired by a qualified person before using it.

2. Protect your extension cords from sharp objects, excessive heat and damp/wet areas.

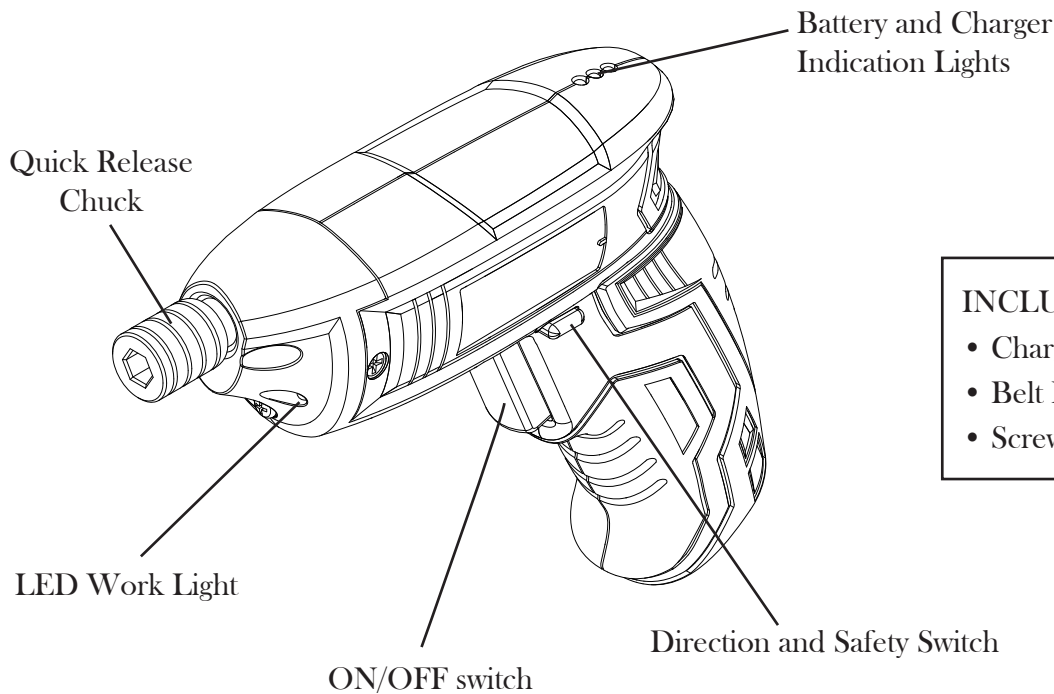
3. When using an extension cord, be sure to use one heavy enough to carry the current your product will draw. An undersized cord will cause a drop in line voltage resulting in loss of power and overheating. The table below shows the correct size to be used according to cord length and nameplate ampere rating. When in doubt, use a heavier cord. The smaller the gauge number, the heavier the cord.

AMPERAGE	REQUIRED GAUGE FOR EXTENSION CORDS			
	25 ft.	50 ft.	100 ft.	150 ft.
0.15 A	18 gauge	16 gauge	14 gauge	12 gauge

Use a separate electrical circuit for your tools. This circuit must not be less than a #12 wire and should be protected with a 15 A time-delayed fuse. Before connecting the tool to the power line, make sure the switch is in the OFF position and the electric current is rated the same as the current stamped on the motor nameplate. Running at a lower voltage will damage the motor.

KNOW YOUR SCREWDRIVER

Make sure all the following parts are accounted for before discarding the packaging.
If any part is missing or broken, contact our customer service at 1-800-232-1195.



INCLUDED ACCESSORIES :

- Charger (1)
- Belt Holster (1)
- Screwdriver Bits (3)

CHARGING YOUR SCREWDRIVER

ATTENTION: The battery must be charged fully before the first time use.

1. Inspect the screwdriver, battery charger and power cord for any signs of damage.
2. Plug the charger into a 120V AC power source, connecting the other end to the receptacle on the back of the screwdriver (Fig. 1 - 1).

WARNING: Always allow the power tool to cool down to room temperature before charging. This will extend the life of your battery.

3. The power indication lights (Fig. 1 - 2) indicate the power level during charging. Three lights means the tool is fully charged.

4. Upon full charge, disconnect the charger from the outlet, then disconnect the charger from the tool.

ATTENTION: A battery that has not been used for an extended period of time will have reduced battery capacity. A substantial drop in operating period per charge indicates that the battery is worn out.

WARNING: The charger and battery are specifically designed to be compatible. Do not attempt to use any other devices to charge the battery or be charged by the charger. Never insert or allow metallic objects into the charger or battery connections as an electrical failure and hazard may occur.

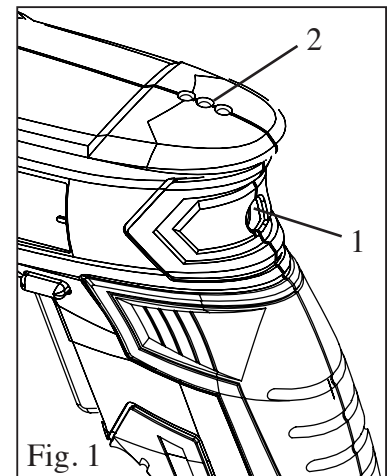


Fig. 1

OPERATION

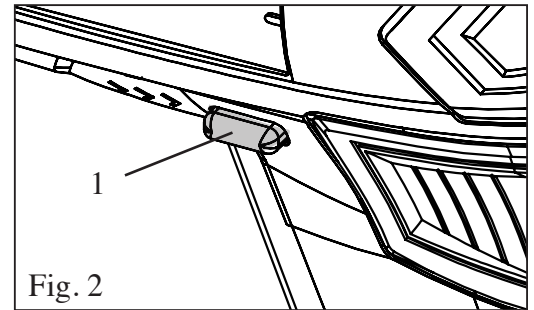


WARNING: To avoid personal injury and damage to the tool, do not attempt to operate the tool until the following operation instructions have been fully read and understood.

LOCKING THE POWER SWITCH

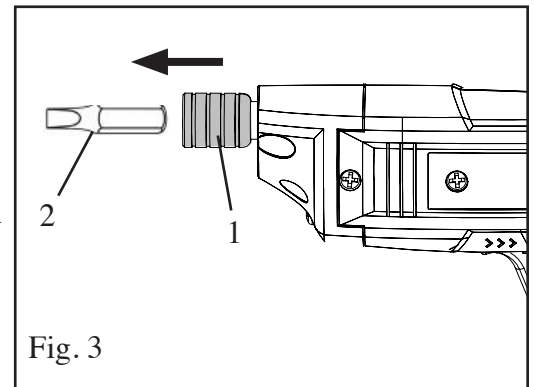
Before installing bits or making any adjustments, make sure to lock the power switch in the OFF position to prevent accidental starting.

1. To lock the power switch, place the direction and safety switch (Fig. 2 - 1) in the center position.
2. Check that the power switch can not be pressed down.



INSTALLING AND REMOVING BITS

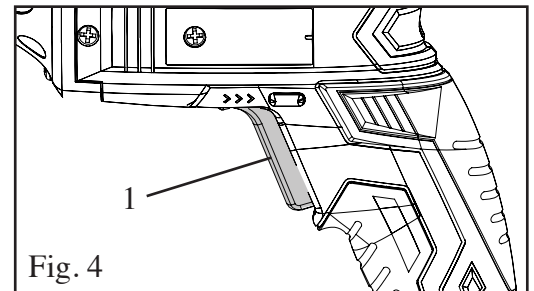
1. Lock the power switch by placing the direction and safety switch in the center position. Do not engage the trigger when changing bits.
2. To fit a screwdriver bit, pull the chuck (Fig. 3 - 1) outwards to release the jaws. Fully insert the screwdriver bit (Fig. 3 - 2) and release the chuck to lock the bit. Check to make sure that the bit is securely installed.
3. To remove a screwdriver bit, pull the chuck outwards and take out the bit.



ON/OFF SWITCH

1. Turn on the screwdriver by squeezing the ON/OFF switch (Fig. 4 - 1).
2. Stop the tool by releasing the ON/OFF switch.

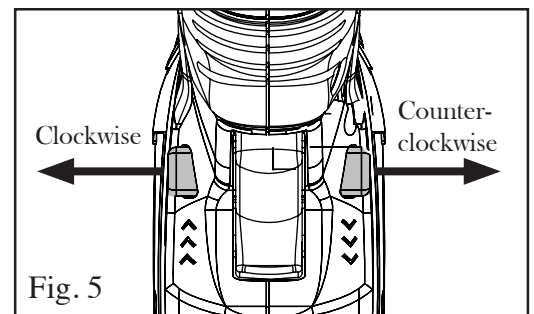
WARNING: Do not touch the bit during or immediately after operation. Always wait for the bit to stop and cool down.



CHANGING THE DIRECTION (FIG. 5)

The direction and safety switch also determines the direction of the chuck rotation. **WARNING:** Never change the direction of rotation while the trigger is pressed down. Release the switch and wait for the chuck to stop first.

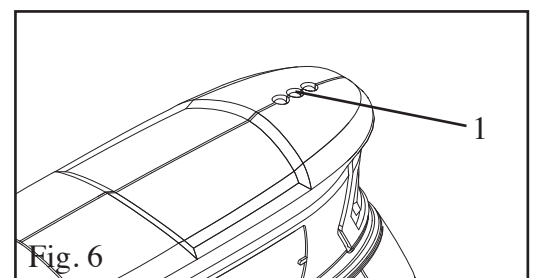
1. To select clockwise rotation, push the switch to the left
2. To select counterclockwise rotation, push the switch to the right.



POWER INDICATION LIGHTS

The three lights on top of the screwdriver (Fig. 6 - 1) indicate the battery's remaining charge.

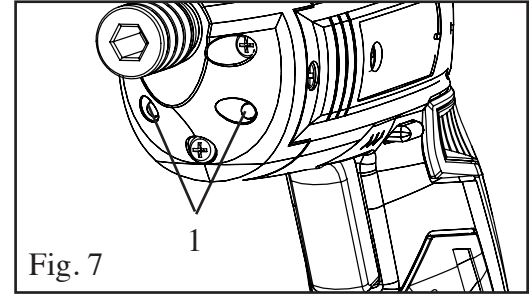
Three lights means the battery has full power and one light means the battery is at low power and needs to be recharged soon.



OPERATION

LED WORKING LIGHT

The LED work lights (Fig. 7 - 1) are located on the front of the screwdriver, allowing workpieces to stay illuminated when the screwdriver is running.



MAINTENANCE

This tool is permanently lubricated at the factory and requires no additional lubrication. There are no user serviceable parts in your power tool. Do not try to open or disassemble your screwdriver or replace the battery cell.



WARNING: To avoid serious personal injury, always unplug the charger from the power source and from the tool when cleaning or performing any maintenance.



WARNING: When servicing, use only identical replacement parts. Use of any other parts may create a hazard or cause product damage. To ensure safety and reliability, all repairs should be performed by a qualified service technician at an Authorized Service Center.

CLEANING THE TOOL

Never use water or chemical cleaners to clean your power tool. Most plastics are susceptible to damage from various types of commercial solvents. Wipe the tool clean with a dry cloth. Keep the motor ventilation slots clean. Keep all working controls free of dust.



WARNING: Do not at any time let brake fluids, gasoline, petroleum-based products, penetrating oils, etc. come in contact with the plastic parts. Chemicals can damage, weaken or destroy plastic which may result in serious personal injury.

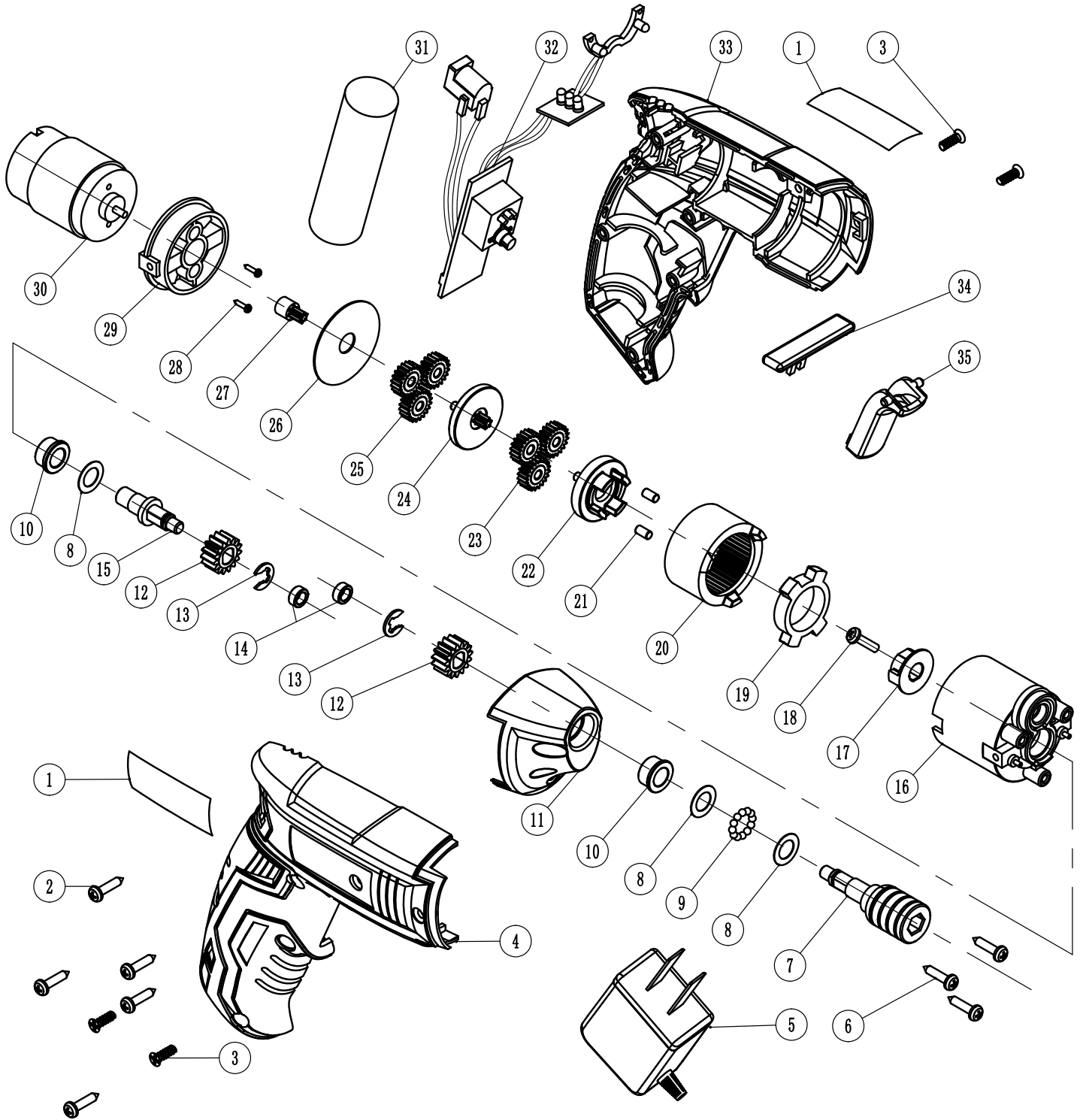
STORING THE TOOL

Always store your power tool in a dry place. To protect the batteries from damage, do not expose the tool to temperatures above 104°F (40°C).

DISPOSAL

When the product reaches the end of its lifetime, please do not dispose of it with household waste. Electrical and electronic products are hazardous to the environment and human health due to the presence of hazardous substances. Take the product to your local recycling facility for it to be responsibly recycled to minimize impacts on the environment.

EXPLODED VIEW & PARTS LIST



EXPLODED VIEW & PARTS LIST

No.	Part No.	Name	Qty.
1	49103-001	Nameplate Sticker	1
2	49103-002	Screw	5
3	49103-003	Screw	4
4	49103-004	Right Housing	1
5	49103-005	Charger	1
6	49103-006	Screw	3
7	49103-007	Output Shaft	1
8	49103-008	Small Washer	3
9	49103-009	Steel Ball	12
10	49103-010	Shaft Sleeve	2
11	49103-011	Front Cover	1
12	49103-012	Outer Gear	2
13	49103-013	Clamp Spring	2
14	49103-014	Shaft Sleeve	2
15	49103-015	Central Shaft	1
16	49103-016	Gear Box	1
17	49103-017	Position Lock Block	1
18	49103-018	Screw	1
19	49103-019	Self-Lock Ring	1
20	49103-020	Inner Gear	1
21	49103-021	Self-Lock Pin	2
22	49103-022	Shaft Plate	1
23	49103-023	Planet Gear	3
24	49103-024	Central Shaft Plate	1
25	49103-025	Plastic Planet Gear	3
26	49103-026	Big Washer	1
27	49103-027	Motor Gear	1
28	49103-028	Pin	2
29	49103-029	Gear Box Rear Cover	1
30	49103-030	Motor	1
31	49103-031	3.6V Li-Ion Battery	1
32	49103-032	Switch Control Set	1
33	49103-033	Left Housing Set	1
34	49103-034	Safety and Direction Switch	1
35	49103-035	Trigger Plate	1

LIMITED TWO YEAR WARRANTY

WEN Products is committed to building tools that are dependable for years. Our warranties are consistent with this commitment and our dedication to quality.

LIMITED WARRANTY OF WEN CONSUMER POWER TOOLS PRODUCTS FOR HOME USE

GREAT LAKES TECHNOLOGIES, LLC (“Seller”) warrants to the original purchaser only, that all WEN consumer power tools will be free from defects in material or workmanship for a period of two (2) years from date of purchase. Ninety days for all WEN products, if the tool is used for professional use.

SELLER’S SOLE OBLIGATION AND YOUR EXCLUSIVE REMEDY under this Limited Warranty and, to the extent permitted by law, any warranty or condition implied by law, shall be the repair or replacement of parts, without charge, which are defective in material or workmanship and which have not been misused, carelessly handled, or misrepaired by persons other than Seller or Authorized Service Center. To make a claim under this Limited Warranty, you must make sure to keep a copy of your proof of purchase that clearly defines the Date of Purchase (month and year) and the Place of Purchase. Place of purchase must be a direct vendor of Great Lakes Technologies, LLC. Third party vendors such as garage sales, pawn shops, resale shops, or any other secondhand merchant void the warranty included with this product. Contact techsupport@wenproducts.com or 1-800-232-1195 to make arrangements for repairs and transportation.

When returning a product for warranty service, the shipping charges must be prepaid by the purchaser. The product must be shipped in its original container (or an equivalent), properly packed to withstand the hazards of shipment. The product must be fully insured with a copy of the warranty card and/or the proof of purchase enclosed. There must also be a description of the problem in order to help our repairs department diagnose and fix the issue. Repairs will be made and the product will be returned and shipped back to the purchaser at no charge.

THIS LIMITED WARRANTY DOES NOT APPLY TO ACCESSORY ITEMS THAT WEAR OUT FROM REGULAR USAGE OVER TIME INCLUDING BELTS, BRUSHES, BLADES, BATTERIES, ETC.

ANY IMPLIED WARRANTIES SHALL BE LIMITED IN DURATION TO TWO (2) YEARS FROM DATE OF PURCHASE. SOME STATES IN THE U.S., SOME CANADIAN PROVINCES DO NOT ALLOW LIMITATIONS ON HOW LONG AN IMPLIED WARRANTY LASTS, SO THE ABOVE LIMITATION MAY NOT APPLY TO YOU.

IN NO EVENT SHALL SELLER BE LIABLE FOR ANY INCIDENTAL OR CONSEQUENTIAL DAMAGES (INCLUDING BUT NOT LIMITED TO LIABILITY FOR LOSS OF PROFITS) ARISING FROM THE SALE OR USE OF THIS PRODUCT. SOME STATES IN THE U.S. AND SOME CANADIAN PROVINCES DO NOT ALLOW THE EXCLUSION OR LIMITATION OF INCIDENTAL OR CONSEQUENTIAL DAMAGES, SO THE ABOVE LIMITATION OR EXCLUSION MAY NOT APPLY TO YOU.

THIS LIMITED WARRANTY GIVES YOU SPECIFIC LEGAL RIGHTS, AND YOU MAY ALSO HAVE OTHER RIGHTS WHICH VARY FROM STATE TO STATE IN THE U.S., PROVINCE TO PROVINCE IN CANADA AND FROM COUNTRY TO COUNTRY.

THIS LIMITED WARRANTY APPLIES ONLY TO PORTABLE ELECTRIC TOOLS, BENCH POWER TOOLS, OUTDOOR POWER EQUIPMENT AND PNEUMATIC TOOLS SOLD WITHIN THE CONTIGUOUS UNITED STATES. FOR WARRANTY COVERAGE WITHIN OTHER COUNTRIES, CONTACT THE WEN CUSTOMER SUPPORT LINE.