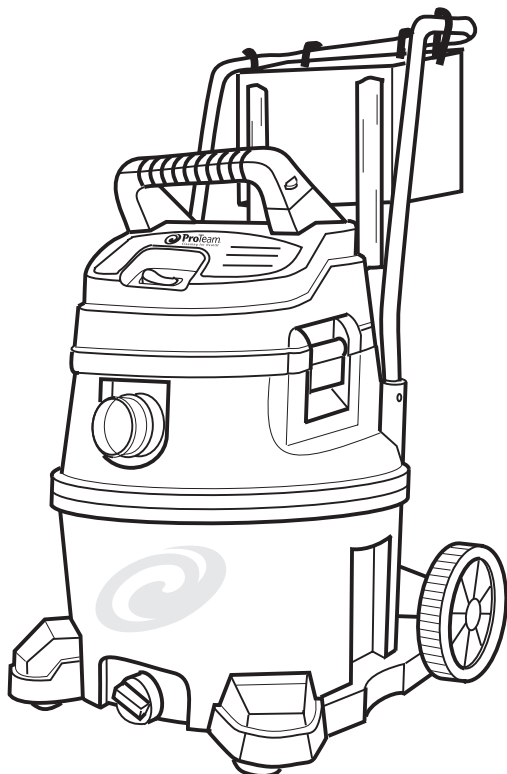


# OWNER'S MANUAL

## Large Capacity 2-stage Commercial Wet/Dry Vacuum

ProGuard® 16 MD  
1073860



**⚠ WARNING**

Read Owner's Manual before using this product.  
Failure to do so can result in injury or property damage.

 **ProTeam**®

---

---

# TABLE OF CONTENTS

---

---

## **ProGuard® 16 MD, 16 Gallon Wet/Dry Vacuum**

Important Safety Instructions	1-2
Introduction	3
Grounding Instructions	4
Assembly	5-7
Filters	8
Operation	9-10
Accessories	11
Preventive Maintenance	11-13
Parts List	14-17
Limited Warranty	18-20
Spanish	21-42
French	43-65

Go to [www.pro-team.com](http://www.pro-team.com) to register your new Vacuum.

## **INSPECTION**

Carefully unpack and inspect your new ProTeam Vacuum for shipping damage. Each unit is tested and thoroughly inspected before shipping. All returns must have a Return Authorization Number (RAN). To request an RAN or to ask questions regarding any shipping damage, contact ProTeam at 866.888.2168 or [customerservice.proteam@emerson.com](mailto:customerservice.proteam@emerson.com)

This Owner's Manual has important information for the use and safe operation of this machine. Read this manual carefully before starting the machine. Keep this manual available at all times and instruct all owners to read this manual. If instructions are not followed, an injury may occur or equipment, furniture or buildings may become damaged.

For new manuals please contact

ProTeam, Inc. at: [customerservice.proteam@emerson.com](mailto:customerservice.proteam@emerson.com)  
8100 W. Florissant Avenue, Building T, St. Louis, MO 63136  
866.888.2168 or visit [www.pro-team.com](http://www.pro-team.com) for a downloadable version.

The contents of this manual are based on the latest product information available at the time of publication. ProTeam reserves the right to make changes or improvements to its machines without notice.

---

---

# IMPORTANT SAFETY INSTRUCTIONS

---

---

Safety is a combination of common sense, staying alert, and knowing how your Wet/Dry Vacuum cleaner (“Vacuum”) works.

Safety Signal Words

**▲ DANGER:** Indicates a hazardous situation which, if not avoided, will result in death or serious injury.

**▲ WARNING:** Indicates a hazardous situation which, if not avoided, could result in death or serious injury.

**▲ CAUTION:** Indicates a hazardous situation which, if not avoided, could result in minor or moderate injury.

When using your Vacuum, always follow basic safety precautions including the following:

**▲ WARNING:** Read Owner’s Manual before using this product. To reduce the risk of fire, electric shock, or injury:

1. Read and understand this manual and all labels on the Wet/Dry Vacuum before operating.
2. Use only as described in this manual.
3. **DO NOT** leave Vacuum running while unattended - you may fail to notice important signs indicating abnormal operation such as loss of suction, debris/liquid exiting the exhaust, or abnormal motor noises. Immediately stop using Vacuum if you notice these signs.
4. **DO NOT** leave Vacuum when plugged in. Unplug from outlet when not in use and before servicing.
5. Sparks inside the motor can ignite flammable vapors or dust. To reduce the risk of fire or explosion, **DO NOT** use near combustible liquids, gases, or dusts, such as gasoline or other fuels, lighter fluid, cleaners, oil-based paints, natural gas, coal dust, magnesium dust, grain dust, aluminum dust, or gun powder.
6. **DO NOT** vacuum anything that is burning or smoking, such as cigarettes, matches, or hot ashes.
7. **DO NOT** vacuum drywall dust, cold fireplace ash, or other fine dusts with standard filter. These may pass through the filter and be exhausted back into the air. Use a fine dust filter instead.
8. To reduce the risk of inhaling toxic vapors, **DO NOT** vacuum or use near toxic or hazardous materials.
9. To reduce the risk of electric shock, **DO NOT** expose to rain or allow liquid to enter motor compartment. Store indoors.
10. **DO NOT** allow to be used as a toy. Close attention is necessary when used by or near children.
11. **DO NOT** use with a torn filter or without the filter installed except when vacuuming liquids as described in this manual. Dry debris ingested by the impeller may damage the motor or be exhausted back into the air.
12. Turn off Vacuum before unplugging.
13. To reduce the risk of injury from accidental starting, unplug power cord before changing or cleaning filter.
14. **DO NOT** unplug by pulling on cord. To unplug, grasp the plug, not the cord.
15. **DO NOT** use with damaged cord, plug, or other parts. If your Vacuum is not working as it should, has missing parts, has been dropped, damaged, left outdoors, or dropped into water, call ProTeam Customer Service.

---

---

# IMPORTANT SAFETY INSTRUCTIONS

---

---

(Continued)

16. **DO NOT** pull or carry by cord, use cord as handle, close a door on cord, or pull cord around sharp edges or corners. Keep cord away from heated surfaces.
17. **DO NOT** handle plug, switch, or the Vacuum with wet hands.
18. Use only extension cords that are rated for outdoor use. Extension cords in poor condition or too small in wire size can pose fire and shock hazards. To reduce the risk of these hazards, be sure the cord is in good condition and that liquid does not contact the connection. **DO NOT** use an extension cord with conductors smaller than 16 gauge (AWG) in size. To reduce power loss, use a 14 gauge extension cord if 25 to 50 ft long and 12 gauge for 50 ft or longer.
19. **DO NOT** put any object into ventilation openings. **DO NOT** vacuum with any ventilation openings blocked; keep free of dust, lint, hair, or anything that may reduce air flow.
20. Keep hair, loose clothing, fingers, and all parts of body away from openings and moving parts.
21. To reduce the risk of falls, use extra care when cleaning on stairs.
22. To reduce the risk of back injury or falls, do not lift a Vacuum that is heavy with liquid or debris. Partially empty the Vacuum by scooping debris or draining liquid to make it comfortable to lift.
23. To reduce the risk of personal injury or damage to Vacuum, use only ProTeam recommended accessories.
24. To reduce the risk of eye injury, wear safety eyewear. The operation of any utility Vacuum or blower can result in foreign objects being blown into the eyes, which can result in severe eye damage.
25. To reduce the risk of being struck by, or pulled down by, a rolling Vac, block the wheels when using on any uneven or sloped surface.
26. Connect to a properly grounded outlet only. See Grounding Instructions.

## **▲ CAUTION:**

- To reduce the risk of hearing damage, wear ear protectors when using for extended time or in a noisy area.
- For dusty operations, wear dust mask, such as an N95 or P100 mask.
- Static shocks are common when the relative humidity of the air is low. vacuuming fine debris with your Vacuum can deposit static charge on the hose or Vacuum. To reduce the frequency of static shocks when using this Vacuum, add moisture to the air with a humidifier.

Observe the following warnings that appear on the motor housing of your Vacuum:

- ▲ WARNING** - For your own safety, read and understand Owner's Manual. Do not run unattended. Do not pick up hot ashes, coals, toxic, flammable or other hazardous materials. Don not use around explosive liquids or vapors.
- ▲ WARNING** - To reduce the risk of electric shock - Do not expose to rain - store indoors.

## SAVE THESE INSTRUCTIONS

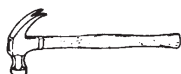
Violation of any of these instructions may void warranty

# INTRODUCTION

## TOOLS REQUIRED



Phillips Screwdriver



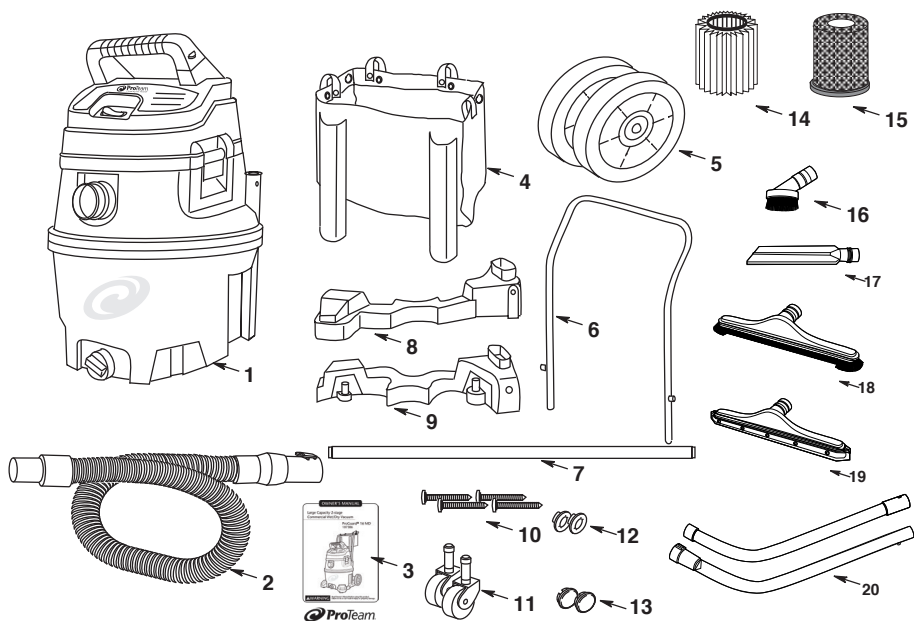
Hammer



Mallet

## OVERVIEW

1. 16 Gallon Wet/Dry Vacuum (1)
2. Hose (1)
3. Owner's Manual (1)
4. Storage Bag (1)
5. 8" Wheel (2)
6. Metal Handle (1)
7. Axle (1)
8. Caddy, Right (1)
9. Caddy, Left (1)
10. Screw, Type AB #10 x 1-3/4 (4)
11. 2" Caster (2)
12. 1/2" Cap Nut (2)
13. Wheel Caps (2)
14. Dry Filter (1)
15. Wet Filter (1)
16. Dust Brush 100110 (1)
17. Crevice Tool 100107PT (1)
18. Nylon Brush Floor Tool 100623 (1)
19. Squeegee Tool 107199 (1)
20. Two-Piece Wand 1 1/2" 101338 (1)



# GROUNDING INSTRUCTIONS

## THIS VACUUM MUST BE GROUNDED.

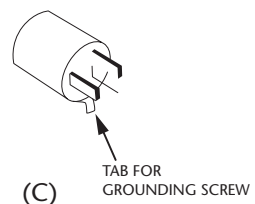
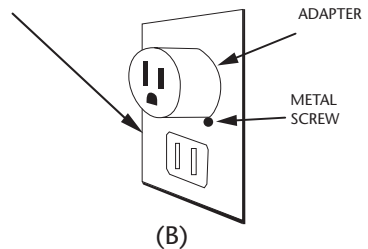
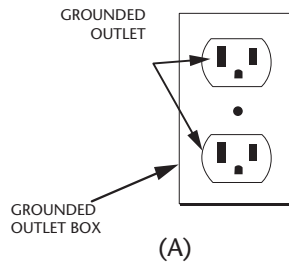
If a Vacuum should malfunction or stop working, grounding provides a path of least resistance for electrical current, thereby reducing the risk of electrical shock. This unit is equipped with a cord that has an equipment-grounding conductor and grounding plug. The plug must be inserted in an appropriate outlet that is properly installed and grounded in accordance with all local codes and ordinances. Cutting off the ground wire or using a cord that is not equipped with a ground plug will void the warranty on the unit, and ProTeam will accept **NO** liability associated with the unit.

## ⚠ WARNING

Improper connection of the equipment grounding conductor can result in a risk of electric shock. Check with a qualified electrician or service person if you are in doubt as to whether the outlet is properly grounded. **DO NOT** modify the plug provided with the appliance - if it will not fit the outlet, have a proper outlet installed by a qualified electrician.

The Vacuum cleaners in this manual are for use on a nominal 120-volt circuit, and have a grounded plug that looks like the plug illustrated in Figure A. A temporary adaptor that looks like the adaptor illustrated in Figure C may be used to connect this plug to a 2-pole receptacle as shown in Figure B if a properly grounded outlet is not available. The temporary adaptor should be used only until a properly grounded outlet in Figure A can be installed by a qualified electrician. The green colored rigid ear, lug, or the like extending from the adaptor must be connected to a permanent ground such as a properly

grounded outlet box cover. Whenever the adaptor is used, it must be held in place by a metal screw. Note: In Canada, the use of a temporary adaptor is not permitted by the Canadian Electrical Code. For Canada – This appliance is for use on a nominal 120 - volt circuit and has a grounded attachment plug that looks like the plug illustrated in Figure A. Make sure that the Vacuums are connected to an outlet having the same configuration as the plug. No adaptor should be used with the Vacuums detailed in this manual.



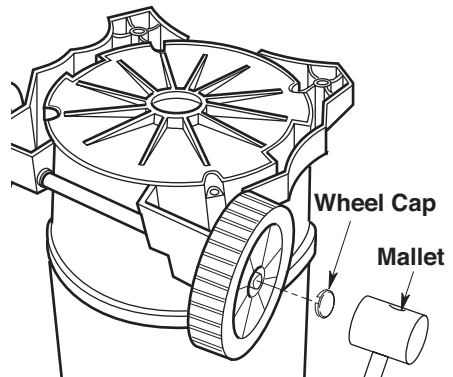
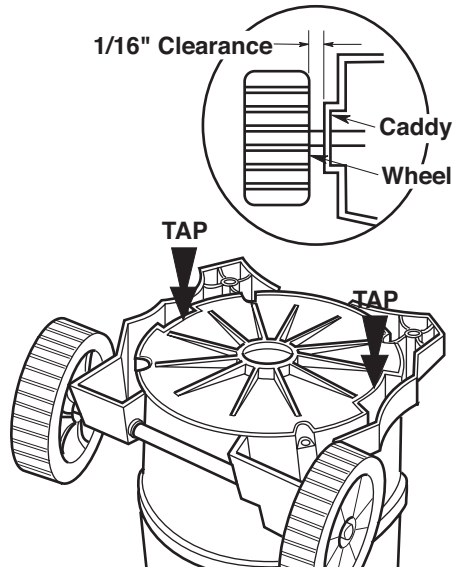
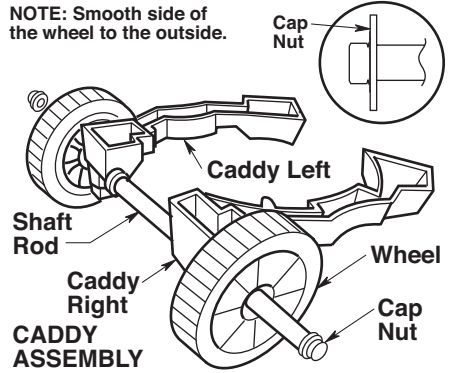
# ASSEMBLY

## DRUM/CADDY

If any parts are missing or damaged contact ProTeam Customer Service.

**DO NOT** assemble until you have all the parts.

1. Remove left and right caddies from drum.
2. Install cap nut on one side of shaft rod. Tap gently with rubber mallet or hammer until fully seated. Slide open end of shaft through the wheel (smooth side of wheel facing outward).
3. Place wheel/shaft assembly through caddy left and on through the caddy right, as shown.
4. Then place the remaining wheel onto the caddy assembly (smooth side of wheel facing outward), and install second cap nut.
5. Invert drum to install caddy. Place the caddy assembly onto the drum, as shown. Be sure that wheels spin freely, and **DO NOT** contact the caddies.
6. Once the caddies are aligned on the drum, gently tap each end of each caddy until firmly seated. It is recommended to tap the center portion of the front caddies, as shown.
7. Using a rubber mallet or hammer, gently tap the wheel caps onto each wheel until the wheel caps are firmly seated onto each wheel. This is required on both sides.



---

---

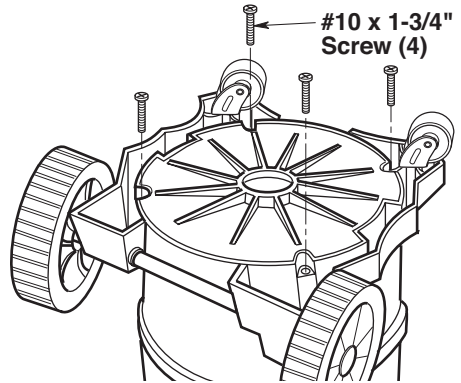
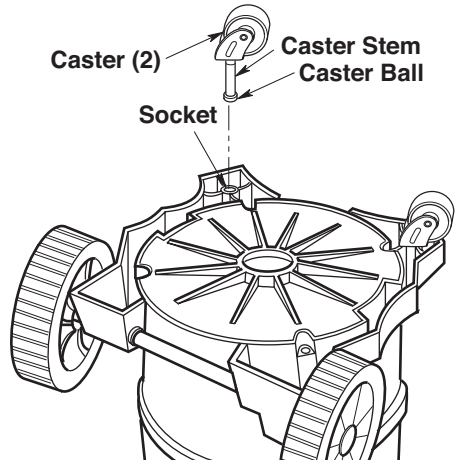
# ASSEMBLY (Continued)

---

---

## DRUM/CADDY (Continued)

8. Insert the caster stem into the socket of the caster foot as shown. (Front casters only).
9. Push on the caster until the ball on the caster stem is inserted all the way into the socket. You will be able to hear the ball snap into the socket and the caster will swivel easily when positioning is correct.
10. Install (4) #10 x 1-3/4" screws into matching holes on both right and left side of caddy, securing the caddies to the bottom of the drum. Tighten screws until just snug. **DO NOT** over tighten the screws, as this may deform the caddies.



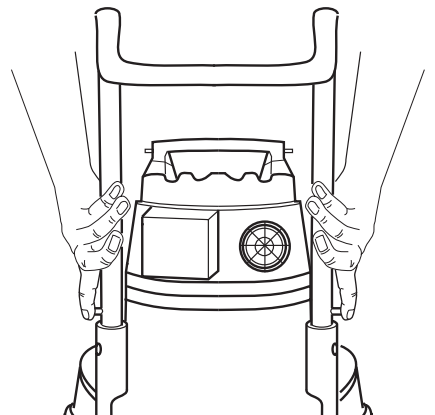
## INSTALLING HANDLE

Press and hold release buttons while installing handle into handle receptacles in drum (See illustration).

**NOTE:** An audible snap of release buttons indicates successful engagement of handle.

## REMOVING HANDLE

Press and hold release buttons as shown. While firmly pushing in release buttons, pull handle upwards to remove (see illustration).

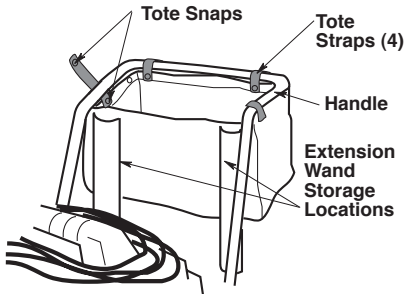




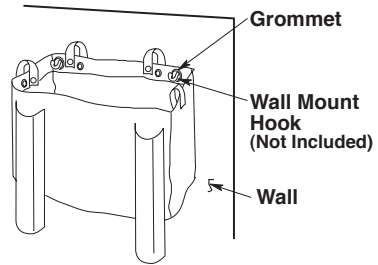
# ASSEMBLY (Continued)

## INSTALLING TOOL HOLDER

1. Install tool holder as shown with extension wand holders (not included on all models) facing unit.

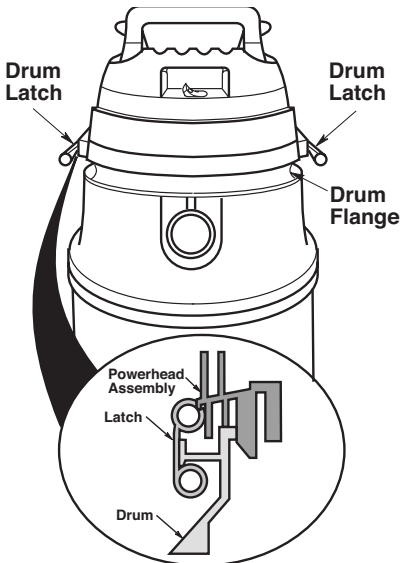


2. As an alternative storage solution, the tool holder may hang on a wall. Two wall mounting hooks (not included) must be secured to the wall as shown (sold separately).



## WET/DRY VACUUM ASSEMBLY

1. Position the powerhead assembly on the drum/caddy assembly as shown (assembled earlier).
2. Rotate both latches down and press until you hear them snap over the flanges on the drum.



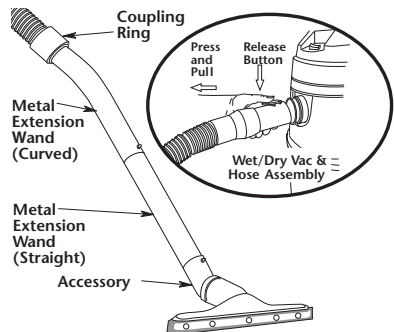
### Insert Hose

Insert the push button end of the hose into the inlet of the Vacuum. The hose should snap into place.

To remove the hose from the Vacuum, press the release button in the hose assembly and pull the hose out of the Vacuum inlet, as shown.

Press the curved metal extension wand into the coupling ring of the hose end. Join the two metal extension wands, aligning the button and hole so they snap together.

Attach the accessories, aligning the button and hole so they snap together.



# FILTERS

## FILTER REMOVAL AND INSTALLATION

### Removal and Installation of the Qwik Lock™ Filter

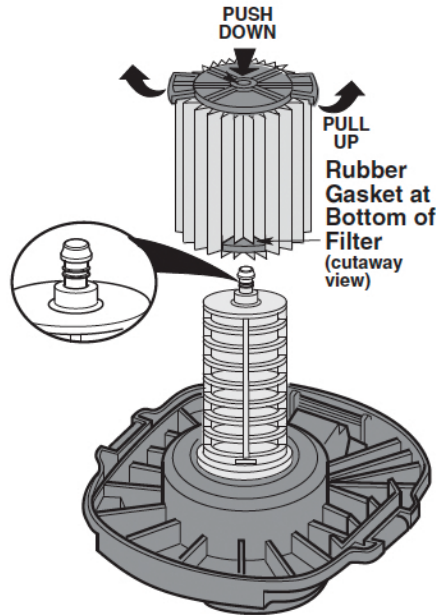
#### Filter Removal:

1. Hold the filter tabs of the Qwik Lock Wet Filter, or fine Dust Filter in each hand.
2. With one thumb on the Qwik Lock stud, which protrudes through the integrated filter plate, lift up on the filter tabs while pushing down on the stud.
3. This action will cause the filter to release from the filter cage. Slide filter off cage.

#### Filter Installation:

1. Carefully slide the Qwik Lock filter over the filter cage and press down on the outside edge of the filter until the rubber gasket on the bottom of the filter seats securely around the base of the filter cage and against the lid.
2. Align the small center hole in the top of the filter over the Qwik Lock stud on the filter cage. Press firmly on top of the filter near the stud to allow the filter to snap over the ball on the end of the stud. The filter is now attached.

**NOTE:** Failure to properly seat the bottom gasket could result in debris bypassing the filter.



To Reorder Filters: Go to  
[www.pro-team.com](http://www.pro-team.com) or contact  
ProTeam's Customer Service Department  
at 866.888.2168

Quick Lock Wet Fine Dust Cartridge Filter - 107175  
Quick Lock HEPA Media Filter - 107176  
Quick Lock Wet Filter - 107177

**⚠ WARNING: DO NOT** operate without filter cage and float, as they prevent liquid from entering the impeller and damaging the motor.

# OPERATION

- ▲ WARNING** - To reduce the risk of fire, explosion, or damage to Vacuum:
- **DO NOT** leave Vacuum running while unattended - you may fail to notice important signs indicating abnormal operation such as loss of suction, debris/liquid exiting the exhaust, or abnormal motor noises. Immediately stop using Vacuum if you notice these signs.
  - **DO NOT** leave Vacuum plugged in when not in use.
  - **DO NOT** continue running when float has cut off suction.
  - Sparks inside the motor can ignite airborne flammables. **DO NOT** operate Vacuum near flammable liquids or in areas with flammable gases, vapors, or explosive/airborne dust. Flammable liquids, gases, and vapors include: lighter fluid, solvent-type cleaners, oil-based paints, gasoline, alcohol, and aerosol sprays. Explosive dusts include: coal, magnesium, aluminum, grain, and gun powder.
  - **DO NOT** vacuum up explosive dusts, flammable liquids, or hot ashes.

- ▲ WARNING** - To reduce the risk of electric shock or injury:
- **DO NOT** expose to rain or allow liquid to enter motor compartment. Store indoors.
  - **DO NOT** handle plug, switch, or Vacuum with wet hands.
  - Unplug Vacuum before servicing. If your Vacuum is not working as it should, has missing parts, has been dropped, damaged, left outdoors, or dropped into water, return it to an independent service center or call customer service.
  - When using an extension cord, use only outdoor-rated cords that are in good condition. **DO NOT** allow the connection to come into contact with liquid.

After you plug the power cord into the outlet, turn the unit on by pushing the switch from position "O" to position "I". The symbols used on the switch actuator are international "ON & OFF" symbols.



Familiarize yourself with the accessories included with the Vacuum. Each accessory may be used in various ways for vacuuming debris. Here is a list of possible accessories and their uses.

**Hose Assembly** - Provides transfer of vacuum capability to work site. Provides the means of attaching extension wands and hand tools.

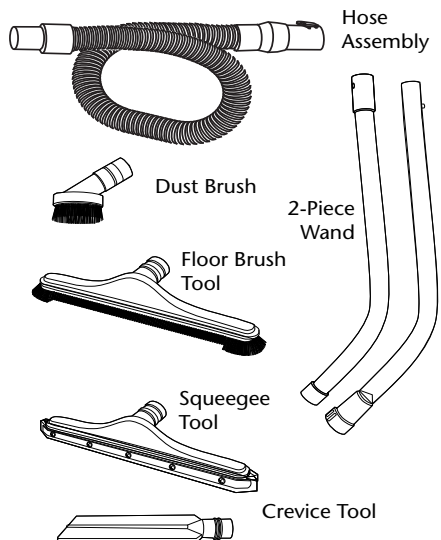
**Dust Brush** - Use for detail cleaning in small spaces.

**Floor Brush Tool** - Use for large dry area clean-ups on smooth surfaces.

**Squeegee Tool** - Use for large wet area clean-ups on smooth surfaces.

**Crevice Tool** - Use to pick up debris in hard to reach locations.

**2-Piece Wand** - Use to connect hose to wet or dry floor tools.



---

---

# OPERATION (Continued)

---

---

## VACUUMING DRY MATERIALS

1. The filter must always be in correct position to reduce the risk of leaks and possible damage to Vacuum.
2. Your Wet/Dry Vacuum comes with the Wet Filter installed. When using your Vacuum to pick up very fine dust, it will be necessary for you to change the dry filter and empty the drum and clean the filter at more frequent intervals to maintain peak vacuum performance.

**NOTE:** A dry filter is necessary to pick up dry material. If you use your Vacuum to pick up dust when the filter is wet, the filter will clog quickly and be very difficult to clean. Use the wet filter when picking up wet material.

## VACUUMING LIQUIDS

**NOTE:** When picking up very small amounts of water, the Fine Dust Filter may be left in place.

1. When picking up large amounts of liquid, the Fine Dust Filter should be removed and the mesh, Wet Filter (107177) should be installed. If the Fine Dust Filter is not removed, water could enter the motor housing which could overload and damage the motor. If the mesh, wet filter is not installed, small debris or soap suds may also enter the motor housing and cause damage to the motor.
2. The float mechanism activates to prevent water from entering the motor housing. When the liquid in the tank reaches a predetermined level, the float mechanism will rise automatically to cut off airflow. When this happens, turn off the Vacuum, unplug the power cord and empty the tank. You will know that the float has risen because the Vacuum airflow ceases and the motor noise will become higher in pitch, due to increased motor speed.

**IMPORTANT:** To reduce the risk of damage to the Vacuum, do not run the motor with the float in the raised position.

3. After using the Vacuum, follow the filter maintenance instructions found on page 12 to reduce the risk of possible mildew and damage to the filter.

## EMPTYING THE DRUM

**▲ WARNING:** To reduce the risk of injury from accidental starting, unplug power cord before emptying the drum.

**▲ WARNING:** To reduce the risk of back injury or falls, DO NOT lift a Vacuum heavy with liquid or debris. Scoop or drain enough contents out to make the Vacuum light enough to lift comfortably.

1. The Vacuum comes equipped with a drain for easy emptying of liquids. Simply unscrew the drain cap and lift the opposite side slightly to empty the drum.
2. Another option is to remove the powerhead assembly.
3. Lay powerhead assembly aside on a clean area while emptying drum.
4. Dump the drum contents into the proper waste disposal container.

## MOVING THE WET/DRY VACUUM

Should it become necessary to pick the Vacuum up to move it, the handle on the sides of the dust drum are used to lift. To maneuver the Vacuum, the push/pull handle in the rear of the unit should be used.

---

---

# ACCESSORIES

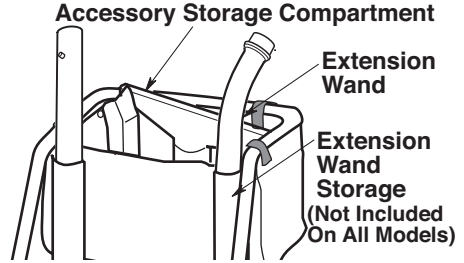
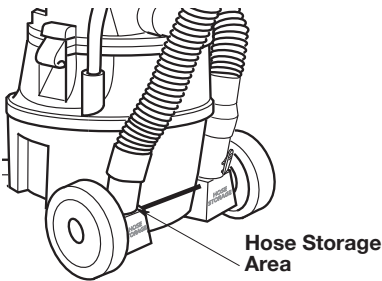
---

---

Your accessories may be stored in the removable tote. The hose may be stored by wrapping it around the unit and placing each end into the two areas marked Hose Storage.

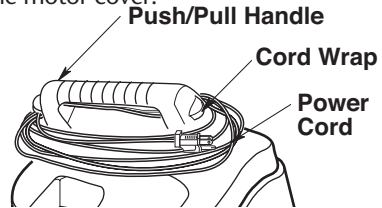
**NOTE:** Insert male end of extension wand into the holder sleeve as shown.

The hose may be stored by wrapping it around the unit and plugging the open end into one of the storage locations on the caddy assembly.



## CORD WRAP

When vacuuming is complete, unplug the cord and wrap it around the power assembly as shown. The cord should wrap under the pull handle (above the inlet) and around and under the cord wrap of the motor cover.



---

---

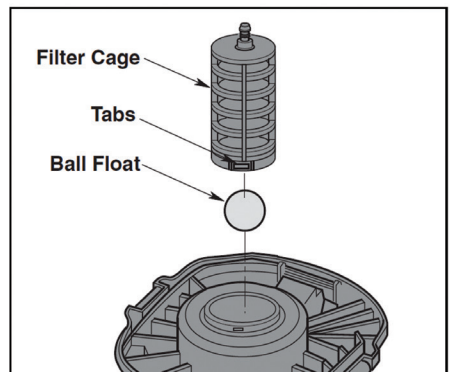
# PREVENTIVE MAINTENANCE

---

---

## CLEANING THE FILTER CAGE AND FLOAT MECHANISM

1. Remove the filter from the filter cage.
2. Press removal tab inward and pivot the filter cage outward.
3. Clean all debris from cage and float mechanism.
4. Place the ball float over the opening in the center of the lid over the hole.
5. Line up filter cage tabs with slots in the center ring of the lid.
6. Push on the filter cage until the tabs snap into slots for a secure fit. (Refer to pg 8).



---

---

# PREVENTIVE MAINTENANCE (Continued)

---

---

## CLEANING THE FINE DUST FILTER

**NOTE:** Clean the filter in an open area.

Cleaning should be done outdoors.

1. Remove filter from Vacuum. Gently tap the filter against the inside wall of the dust tank. The debris will loosen and fall.
2. For thorough cleaning of a filter clogged with fine dust, (no surface debris), run water down the outside of the filter pleats and ensure the water pressure is not strong enough to damage the filter.

**IMPORTANT:** After cleaning, check the filter for tears or small holes. Do not use a filter with holes or tears in it. Even a small hole can cause a lot of dust to come out of the Vacuum. If damaged, replace the filter immediately.

## CLEANING THE WET FILTER

For best cleaning results, clean the mesh filter in a utility sink or under a spigot.

1. Remove the filter from the Vacuum. Gently tap the filter against the inside wall of the dust tank to loosen surface debris.
2. For thorough cleaning of the wet filter, run water through it from the inside-out. While doing this run hand or soft brush over the surface to remove clinging debris.
3. For a filter coated or clogged with floor wax, rinse the filter with a diluted floor stripper chemical. Using warm water and a soft brush should extend the life of the filter. Rinse the filter again with only warm water to remove any remaining chemicals.

**IMPORTANT:** If the sealing surfaces or mesh have been damaged, or if the filter is clogged beyond repair, replace the wet filter immediately.

**IMPORTANT:** The mesh, wet filter is multiple layers of fine and course mesh specially engineered to protect the Vacuum's motor. This filter has been designed to break up soap suds and capture floor stripper and most debris that may remain on a floor when wet cleaning. Using this filter does NOT replace pre-cleaning a floor prior to floor stripping.

---

---

# PREVENTIVE MAINTENANCE (Continued)

---

---

## CLEANING AND DISINFECTING THE WET/ DRY VACUUM

To keep your Wet/Dry Vacuum looking its best, clean the outside with a cloth dampened with warm water and mild soap.

To clean the drum:

1. Dump debris out.
2. Wash drum thoroughly with warm water and mild soap.
3. Wipe out with dry cloth.

Before prolonged storage or as needed (i.e., waste water pick-up) the drum should be disinfected.

To disinfect the drum:

1. Pour 1 gallon of water and 1 teaspoon chlorine bleach into the drum.
2. Let solution stand for 20 minutes, carefully swishing every few minutes, making sure to wet all inside surfaces of the drum.
3. Empty drum after 20 minutes. Rinse with water until bleach smell is gone. Allow drum to dry completely before sealing the motor on the drum.

**⚠ WARNING:** To assure product SAFETY and RELIABILITY, repairs and adjustments should be performed by Authorized Service Centers, always using PROTEAM replacement parts.

## CORD MAINTENANCE

When vacuuming is complete, unplug the cord and wrap it around the motor cover. If the power cord is damaged, it must be replaced by the manufacturer or their service agent or by similarly qualified personnel to reduce the risk of accident.

## STORAGE

Before storing your Vacuum, the drum should be emptied and cleaned. The cord should be wrapped around the unit and the hose should be stored as described in this manual. Accessories should be kept in the same area as the Vacuum so they can be readily available. The Vacuum should be stored indoors.

## CASTERS AND WHEELS

Should your cart squeak or become hard to roll, you should place two or three drops of general purpose oil on each wheel at the axle. If your casters are noisy, you may put a drop of oil on the roller shaft to make them quieter.

## FRAME AND HANDLES

Your metal handle is painted to prevent rust, however, liquids and corrosive debris should be wiped off with a soft cloth should they come in contact with the handle.

---

---

# PROGUARD 16 MD REPAIR PARTS

---

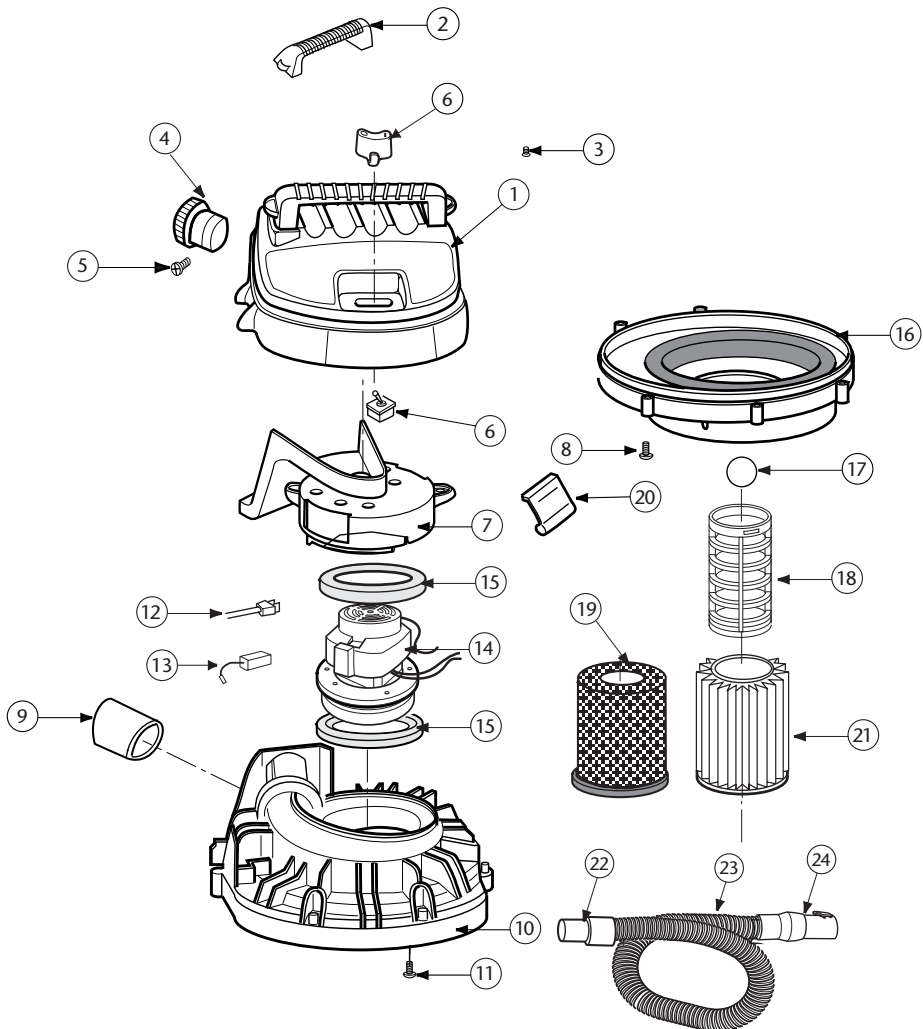
---

## ProGuard 16 MD

ORDER #			QTY.
1	510286	Motor Cover Assembly	1 ea.
2	830565-2	Handle Motor Cover	1 ea.
3	820563-4	Screw Type AB #10 x 3/4"	1 ea.
4	833600	Diffuser Assembly	1 ea.
5	820563-4	Screw Type AB #10 x 3/4"	1 ea.
6	510127	Switch Assembly	1 ea.
7	831651	Duct Motor Exhaust/Cooling Fan	1 ea.
8	820563-4	Screw Type AB #10 x 3/4"	1 ea.
9	830609	Exhaust Foam Pad	1 ea.
10	831653-1	Lid	1 ea.
11	826453-2	Screw 10-32 x 3/4"	1 ea.
12	831657-1	Power Cord Assembly	1 ea.
13	822374-8	Carbon Brush Set	1 set
14	831567	Motor Assembly Complete	1 ea.
15	827415	Gasket Motor	1 ea.
16	831659	Collector Assembly	1 ea.
17	833778	Ball Float	1 ea.
18	830101-1	Filter Cage	1 ea.
19	107177	Quick Lock Wet Filter	1 ea.
20	826387	Drum Latch	1 ea.
21	107175	Qwik Lock Fine Dust Cartridge Filter	1 ea.
22	831577	Swivel Hose Cuff	1 ea.
23	831337-6	Hose Assembly w/ Cuffs	1 ea.
24	829900	Locking Ring Cuff	1 ea.



# PROGUARD 16 MD ASSEMBLY



---

---

# PROGUARD 16 MD REPAIR PARTS

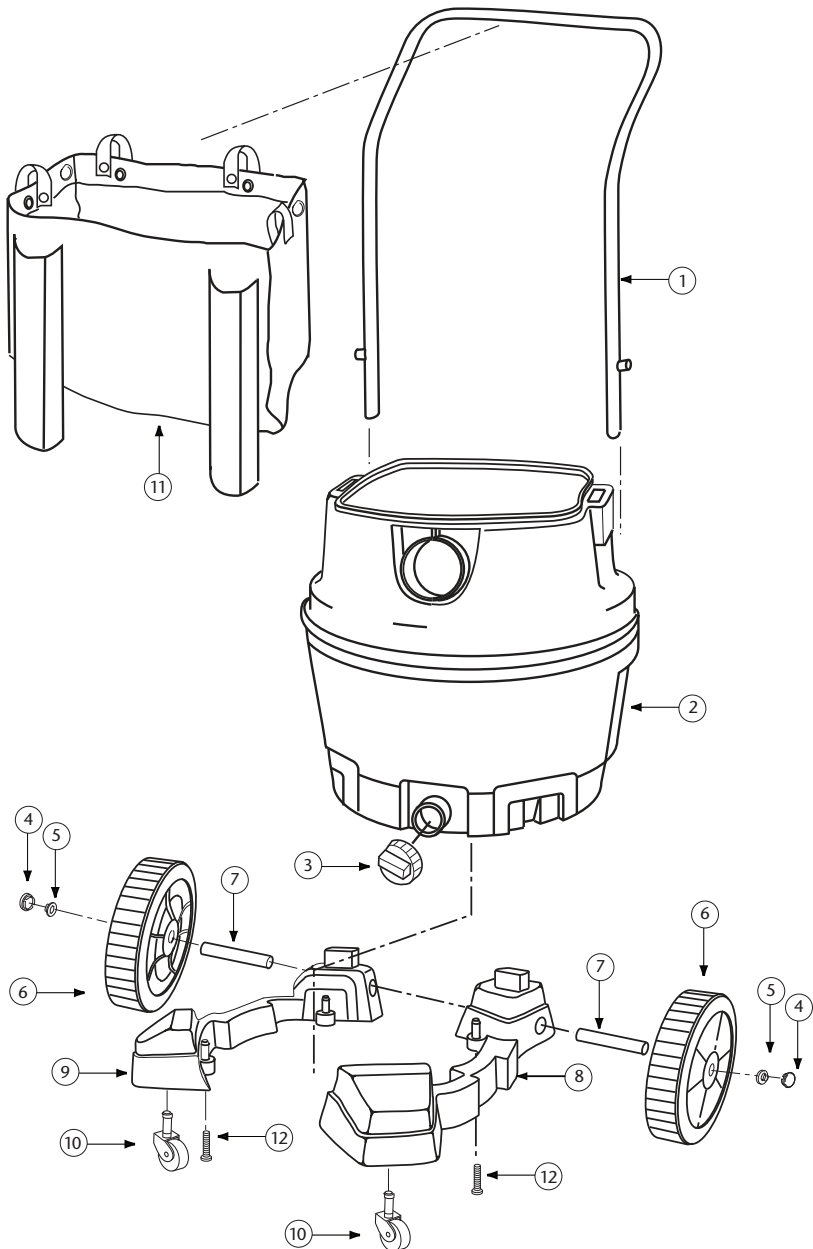
---

---

## ProGuard 16 MD

<b>ORDER #</b>		<b>QTY.</b>
1	830686 Handle	1 ea.
2	831660-2 Dust Drum Assembly	1 ea.
3	73185 Drain Cap	1 ea.
4	830611 Wheel Cap	1 ea.
5	813836-1 Cap Nut 1/2"	1 ea.
6	832190 8" Wheel Assembly (Includes: #4,5)	1 ea.
7	831024 Shaft	1 ea.
8	830576 Caddy, Right	1 ea.
9	830577 Caddy, Left	1 ea.
10	832123 Caster	1 ea.
11	831668-1 Tote	1 ea.
12	820563-5 Screw Type "AB" #10 x 1-3/4"	1 ea.
509944	Bag of Loose Parts (Not Shown) (includes: #4, 5, 10, 12)	1 kit

# PROGUARD 16 MD ASSEMBLY



---

---

# LIMITED WARRANTY

---

---

This limited warranty applies to the following ProTeam, Inc. commercial PROGUARD® Wet/Dry Vacuums: ProGuard 16 MD.

If you have any questions or need assistance regarding the warranty of your product, please call ProTeam Customer Service department at (866) 888-2168 7:30 a.m. - 5:00 p.m. Mountain Time.

## **PROGUARD® - Limited Warranty**

ProTeam, Inc., located at 8100 W. Florissant Avenue, Building T, St. Louis, MO 63136 (“ProTeam”) warrants to the original purchaser only (“you”) subject to the exclusions described below, that the ProGuard Product component parts and motors listed below will be free from defects in material and workmanship beginning on the original date of purchase and continuing for the period set forth below (each a “Warranty Period”). This limited warranty terminates if the original purchaser transfers the ProGuard Product to any other person or entity.

### **Parts Warranties - All ProGuard Products**

- Molded body parts on all ProGuard Products - Expected lifetime of the ProGuard Product.
- All other component parts (excluding the motor) on all ProGuard Products - 3 years.

### **Motor Warranties - Specific to each ProGuard Product**

- ProGuard 16 MD 2-stage motor - 3 years or 1400 hours, whichever comes first.

\*Conditions to above motor warranty coverage may apply. See “Motor Warranty Conditions” below. Motor Warranty Conditions - ProGuard 16 MD 2-stage motor.

- Warranty is subject to your compliance with the following carbon brush replacement and maintenance schedule. Proof of compliance may be required.
- 1st change - after the first 400 hours
- 2nd change - after the next 400 hours
- 3rd change - after the next 300 hours

### **What is Not Covered - Warranty Exclusions**

This limited warranty does not extend to and expressly excludes:

- Normal wear and tear and/or replacement attachments or accessories, including, without limitation, extension cords, hoses, filters, switches, carbon motor brushes and other attachments to the ProGuard Product.
- Damage or burnout of the ProGuard Product motor resulting from failure to clear a blockage occurring during the normal course of use.
- Loss or damage to the ProGuard Product resulting from conditions beyond ProTeam’s control including without limitation, misuse, accident, abuse, neglect, negligence (other than ProTeam’s), over use beyond intended capacity, or unauthorized modification or alteration.
- Loss or damage to the ProGuard Product resulting from failure to follow the required maintenance schedule, or failure to use the ProGuard Product in accordance with ProTeam’s written instructions, guidelines or the terms of its Owner’s Manual.

### **What We Will Do to Correct Problems**

If a claim made during the Warranty Period is covered under this limited warranty, ProTeam or your local ProTeam authorized dealer will, at ProTeam’s sole option, (a) repair the defective portion of the ProGuard Product or (b) replace the entire ProGuard Product. THE SOLE AND EXCLUSIVE REMEDY FOR BREACH OF THIS LIMITED WARRANTY SHALL BE LIMITED TO REPAIR OR REPLACEMENT OF THE PROGUARD PRODUCT. No Other Express Warranty Applies

---

---

# LIMITED WARRANTY

---

---

THE LIMITED WARRANTIES PROVIDED ABOVE ARE THE SOLE AND EXCLUSIVE WARRANTIES PROVIDED BY PROTEAM TO THE ORIGINAL PURCHASER, AND ARE IN LIEU OF ALL OTHER WARRANTIES, WRITTEN OR ORAL, EXPRESS OR IMPLIED, WHETHER ARISING BY OPERATION OF LAW OR OTHERWISE, INCLUDING, WITHOUT LIMITATION, WARRANTIES OF MERCHANTABILITY OR FITNESS FOR A PARTICULAR PURPOSE, WHETHER OR NOT THE PURPOSE HAS BEEN DISCLOSED AND WHETHER OR NOT THE PROGUARD PRODUCT HAS BEEN SPECIFICALLY DESIGNED OR MANUFACTURED FOR YOUR USE OR PURPOSE. No employee, agent, dealer, or other person is authorized to alter this limited warranty or make any other warranty on behalf of ProTeam. The terms of this limited warranty shall not be modified by ProTeam, the original owner, or their respective successors or assigns.

## How to Notify Us

If you discover that your ProGuard Product has a defect that you believe is covered by this limited warranty, you must notify ProTeam or the ProTeam authorized dealer who sold you the ProGuard Product within the applicable Warranty Period. You may contact ProTeam Customer Service department at (866) 888-2168 between the hours of 7:30 a.m. and 5:00 p.m. Mountain Time or at any time via the fax number or the email address listed in your Owner's Manual or on our website. In order for a warranty claim to be processed as quickly as possible, we suggest that you complete the "Registration Card" made available to you on the ProTeam website at [www.pro-team.com](http://www.pro-team.com). If you do not choose to register your ProGuard Product, in order to make a warranty claim, you will need to provide a copy of your sales receipt or other proof of purchase showing the purchase date to ProTeam or your local ProTeam authorized dealer.

## Repair and Replacement Procedures

Please call the Customer Service department number above or visit the ProTeam website to find the ProTeam authorized dealer nearest you. If there is no local ProTeam authorized dealer, our Customer Service department will give you the name and address of the nearest field service representative or will provide you with instructions for shipping your ProGuard Product to the ProTeam repair facility. ProTeam or your local ProTeam authorized dealer will determine whether your claim is covered by this limited warranty, subject to the limitations or exclusions described in this limited warranty, or has exceeded the applicable Warranty Period. Your local ProTeam authorized dealer will repair your ProGuard Product, ship your ProGuard Product to the dealer's or ProTeam's repair facility, or contact ProGuard for a replacement ProGuard Product. The decision to replace your ProGuard Product is at the sole discretion of ProTeam. Repairs or modifications made to the ProGuard Product by other than ProTeam, its authorized repair facility or a local authorized dealer will nullify this limited warranty. Coverage under this limited warranty is conditioned at all times upon the original purchaser's compliance with these required notification and repair procedures.

## Limitation of Liability

TO THE EXTENT PERMITTED BY LAW, IN NO EVENT SHALL PROTEAM BE LIABLE FOR ANY INCIDENTAL, SPECIAL, INDIRECT, OR CONSEQUENTIAL DAMAGES, INCLUDING ANY ECONOMIC LOSS, WHETHER RESULTING FROM NONPERFORMANCE, USE, MISUSE OR INABILITY TO USE THE PROGUARD PRODUCT OR PROTEAM'S NEGLIGENCE. SELLER SHALL NOT BE LIABLE FOR DAMAGES CAUSED BY DELAY IN PERFORMANCE AND IN NO EVENT, REGARDLESS OF THE FORM OF THE CLAIM OR CAUSE OF ACTION (WHETHER BASED IN CONTRACT, INFRINGEMENT, NEGLIGENCE, STRICT LIABILITY, OTHER TORT OR OTHERWISE), SHALL PROTEAM'S LIABILITY TO BUYER AND/OR ITS CUSTOMERS EXCEED THE PRICE PAID BY THE ORIGINAL OWNER FOR THE PROGUARD PRODUCT. The term "consequential damages" shall include, but not be limited to, loss of anticipated profits, business interruption, loss of use or revenue, cost of capital or loss or damage to property or equipment.

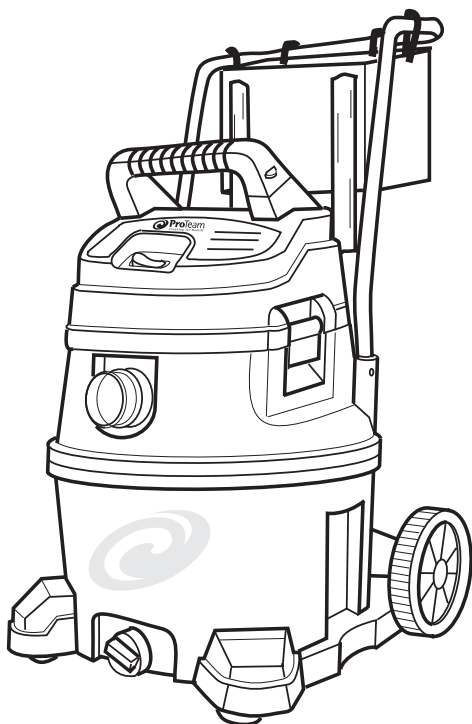
Some states do not allow the exclusion or limitation of incidental or consequential damages, so the above limitation may not apply to you. This limited warranty gives you specific legal rights, and you may also have other rights which vary from State to State.



# MANUAL DEL USUARIO

Aspiradoras para mojado/seco de 2 etapas  
de gran capacidad para uso comercial

ProGuard® 16 MD  
1073860



## **⚠ ADVERTENCIA**

Para reducir el riesgo de lesiones, el usuario debe leer y entender el manual del operador antes de utilizar este producto.

 **ProTeam**®

---

---

# INDICE

---

---

## **ProGuard 16 MD, Aspiradora para mojado/seco de 16 galones**

Instrucciones de seguridad importantes	23-24
Introducción	25
Instrucciones de conexión a tierra	26
Ensamblaje	27-19
Filtros	30
Funcionamiento	31-32
Accesorios	33
Mantenimiento preventivo	33-35
Lista de piezas de la ProGuard 16 MD	36-39
Garantía limitada	40-41
English	1-20
Français	43-63

Visite [www.pro-team.com](http://www.pro-team.com) para registrar su nueva aspiradora.

## INSPECCIÓN

Desempaque cuidadosamente e inspeccione minuciosamente su nueva aspiradora ProTeam para determinar si ha sufrido daños durante el transporte. Cada unidad es comprobada e inspeccionada minuciosamente antes de su envío. Todas las devoluciones deben tener un Número de Autorización de Devolución (Return Authorization Number, RAN). Para solicitar un RAN o hacer preguntas sobre cualquier daño sufrido durante el transporte, contacte a ProTeam llamando al 866.888.2168 ó escribiendo a [customerservice.proteam@emerson.com](mailto:customerservice.proteam@emerson.com).

Este manual del usuario contiene información importante para el uso y la operación segura de esta máquina. Lea detenidamente este manual antes de arrancar la máquina. Mantenga disponible este manual en todo momento e indique a todos los dueños que lean este manual. Si no se siguen las instrucciones, podría ocurrir una lesión o los equipos, muebles o edificios podrían sufrir daños.

Para obtener manuales nuevos, sírvase contactar a ProTeam, Inc., dirigiéndose a: [customerservice.proteam@emerson.com](mailto:customerservice.proteam@emerson.com)

8100 W. Florissant Avenue, Building T, St. Louis, MO 63136

866.888.2168 ó visite [pro-team.com](http://pro-team.com) para obtener una versión descargable.

El contenido de este manual se basa en la más reciente información disponible sobre el producto en el momento de su publicación. ProTeam se reserva el derecho a hacer cambios o mejoras a sus máquinas sin previo aviso.



# INSTRUCCIONES DE SEGURIDAD IMPORTANTES

La seguridad es una combinación de sentido común, mantenerse alerta y saber cómo funciona su aspiradora para mojado/seco (la “aspiradora”).

## Palabras de señal de seguridad

- ▲ **PELIGRO:** indica una situación peligrosa que, si no se evita, causará la muerte o lesiones graves.
- ▲ **ADVERTENCIA:** indica una situación peligrosa que, si no se evita, podría causar la muerte o lesiones graves.
- ▲ **PRECAUCIÓN:** indica una situación peligrosa que, si no se evita, pudiera causar lesiones leves o moderadas.

Cuando utilice la aspiradora, siga siempre las precauciones básicas de seguridad, incluyendo las siguientes:

## ▲ **ADVERTENCIA:** Para reducir el riesgo de incendio, sacudidas eléctricas o lesiones.

1. Lea y entienda este manual y todas las etiquetas que están colocadas en la aspiradora antes de utilizarla.
2. Utilice la aspiradora únicamente de la manera que se describe en este manual.
3. No deje la aspiradora en marcha mientras esté desatendida. Usted podría no notar señales importantes que indiquen un funcionamiento anormal, tal como pérdida de succión, residuos o líquido que salen por el escape o ruidos anormales del motor. Deje de usar la aspiradora inmediatamente si observa estas señales.
4. No abandone la aspiradora cuando esté enchufada. Desenchúfela del tomacorriente cuando no la esté utilizando y antes de realizar servicio de revisión.
5. Las chispas que se producen en el interior del motor pueden incendiar los vapores inflamables o el polvo. Para reducir el riesgo de incendio o explosión: No use la aspiradora cerca de líquidos, gases, o polvos combustibles como gasolina u otros combustibles, líquido encendedor, limpiadores, pinturas a base de aceite, gas natural, hidrógeno, polvo de carbón, polvo de magnesio, polvo de aluminio, polvo de granos de cereal o pólvera.
6. No recoja con la aspiradora nada que esté ardiendo o humeando, como cigarrillos, fósforos o cenizas calientes.
7. No recoja con la aspiradora polvo de pared de tipo seco ni hollín frío o ceniza fría de chimenea con un filtro estándar. Estos materiales pueden pasar por el filtro y pueden ser expulsados de vuelta al aire. Utilice un filtro para polvo fino en lugar de un filtro estándar.
8. Para reducir el riesgo de inhalar vapores tóxicos, no recoja con la aspiradora materiales tóxicos o peligrosos ni la use cerca de dichos materiales.
9. Para reducir el riesgo de descargas eléctricas, no ponga la aspiradora a la lluvia ni deje que entren líquidos en el compartimiento del motor. Guarde la aspiradora en un lugar interior.
10. No permita que la aspiradora se utilice como un juguete. Se necesita prestar máxima atención cuando sea utilizada por niños o cerca de éstos.
11. No use la aspiradora con un filtro desgarrado o sin tener el filtro instalado, excepto cuando recoja con ella líquidos de la manera que se describe en este manual. Los residuos secos absorbidos por el impulsor podrían dañar el motor o ser expulsados de vuelta al aire.
12. Apague la aspiradora antes de desenchufarla.
13. Para reducir el riesgo de lesiones debidas a un arranque accidental, desenchufe el cordón de energía antes de cambiar o limpiar el filtro.
14. No desenchufe la aspiradora tirando del cordón. Para desenchufarla, agarre el enchufe y no el cordón.
15. No use la aspiradora con el cordón dañado, el enchufe dañado u otras piezas dañadas. Si la aspiradora no funciona como debe, le faltan piezas, se ha caído, ha sido dañada, se ha dejado a la intemperie o se ha caído al agua, devuélvala a un Centro de Servicio autorizado.
16. No tire de la aspiradora usando el cordón ni la lleve por el cordón, ni use el cordón como asa, ni cierre una puerta sobre el cordón, ni tire del cordón alrededor de bordes o esquinas afilados. No pase la aspiradora en marcha sobre el cordón. Mantenga el cordón alejado de las superficies calientes.
17. No maneje el enchufe, el interruptor o la aspiradora con las manos mojadas.

# INSTRUCCIONES DE SEGURIDAD IMPORTANTES

(continuado)

18. Utilice únicamente cordones de extensión que tengan capacidad nominal para uso a la intemperie. Los cordones de extensión que estén en malas condiciones o tengan un tamaño de alambre demasiado pequeño pueden crear peligros de incendio y descargas eléctricas. Para reducir el riesgo de estos peligros, asegúrese de que el cordón esté en buenas condiciones y que el líquido no entre en contacto con la conexión. No utilice un cordón de extensión que tenga conductores con un diámetro menor al calibre 16 (AWG). Para reducir la pérdida de potencia, utilice un cordón de extensión de calibre 14 si la longitud es de 25 a 50 pies, y de calibre 12 si la longitud es de 50 pies o más.
19. No ponga ningún objeto en las aberturas de ventilación. No recoja nada con la aspiradora cuando cualquiera de las aberturas de ventilación esté bloqueada; mantenga dichas aberturas libres de polvo, pelusa, pelo o cualquier cosa que pueda reducir el flujo de aire.
20. Mantenga el pelo, la ropa holgada, los dedos y todas las partes del cuerpo alejados de las aberturas y de las piezas móviles.
21. Para reducir el riesgo de caídas, tenga cuidado adicional al limpiar en escaleras.
22. Para reducir el riesgo de lesiones de espalda o caídas, no levante una aspiradora que pese mucho debido a que contiene líquido o residuos. Saque parte del contenido de la aspiradora o drénela parcialmente para hacer que sea lo suficientemente liviana como para poder levantarla cómodamente.
23. Para reducir el riesgo de lesiones corporales o daños a la aspiradora, utilice únicamente accesorios recomendados por ProTeam.
24. Para reducir el riesgo de lesiones en los ojos, use protección ocular de seguridad. La utilización de cualquier aspiradora puede hacer que se soplen objetos extraños hacia los ojos, lo cual puede causar daños graves en los ojos.
25. Para reducir el riesgo de que una aspiradora rodante le golpee o tire de usted, bloquee las ruedecillas cuando utilice la unidad en cualquier superficie desigual o en pendiente.
26. Conecte la aspiradora solamente a un tomacorriente conectado a tierra adecuadamente. Consulte las instrucciones de conexión a tierra.

## ▲ PRECAUCIÓN:

- Para reducir el riesgo de daños a la audición, use protectores de oídos cuando utilice la aspiradora durante muchas horas seguidas o cuando la emplee en un área ruidosa.
- Para operaciones que generan polvo, use una máscara antipolvo.
- Las descargas de estática son comunes cuando la humedad relativa del aire es baja. Si recoge residuos finos con la aspiradora, se puede depositar carga estática en la manguera o en la aspiradora. El mejor remedio para reducir la frecuencia de las descargas de estática en su casa o cuando use esta aspiradora es añadir humedad al aire con un humidificador. Siga las siguientes advertencias que aparecen en la caja del motor de la aspiradora.

▲ ADVERTENCIA: Para su propia seguridad, lea y entienda el manual del operador. No tenga en marcha la aspiradora desatendida. No recoja cenizas calientes, carbón caliente, materiales tóxicos ni inflamables ni otros materiales peligrosos. No use la aspiradora alrededor de líquidos o vapores explosivos.

▲ ADVERTENCIA: Para reducir el riesgo de sacudidas eléctricas, no exponga la aspiradora a la lluvia y almacénela en interiores.

**GUARDE ESTAS INSTRUCCIONES**  
El incumplimiento de cualquiera de estas instrucciones anulará la garantía.

# INTRODUCCIÓN

## HERRAMIENTAS NECESARIAS



Destornillador Phillips



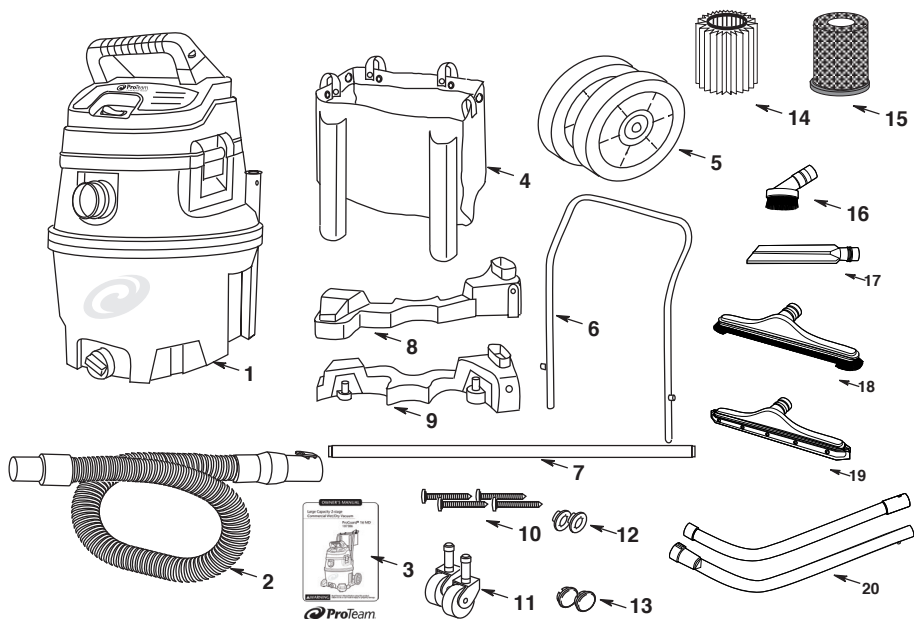
Martillo



Mazo

## DESCRIPCIÓN GENERAL

1. 16 Galón Wet / Dry Vacuum (1)
2. La manguera (1)
3. Manual de instrucciones (1)
4. Bolsa de almacenamiento (1)
5. Rueda de 8 pulgadas (2)
6. Mango metálico (1)
7. Eje (1)
8. Base de soporte derecha (1)
9. Base de soporte izquierda (1)
10. Tornillo de tipo AB No. 10 x 1-3/4" (4)
11. Ruedecilla de 2 pulgadas (2)
12. Tuerca de tapa de 1/2 pulgada (2)
13. Tapas de rueda (2)
14. Filtro en seco (1)
15. Filtro mojado (1)
16. Cepillo de polvo 100110 (1)
17. Boquilla rinconera 100107PT (1)
18. Nylon Herramienta Floor Brush 100623 (1)
19. Herramienta de la escobilla de goma 107199 (1)
20. De dos piezas de la varita de 1 1/2" 101338 (1)



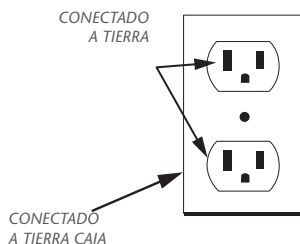
# INSTRUCCIONES DE CONEXIÓN A TIERRA

Este electrodoméstico se debe conectar a tierra. En caso de mal funcionamiento o avería, la conexión a tierra proporciona una ruta de resistencia mínima para la corriente eléctrica con el fin de reducir el riesgo de sacudidas eléctricas. Este electrodoméstico está equipado con un cordón que tiene un conductor de conexión a tierra del equipo y un enchufe de conexión a tierra. El enchufe debe introducirse en un tomacorriente apropiado que esté instalado correctamente y conectado a tierra adecuadamente, de acuerdo con todos los códigos y ordenanzas locales.

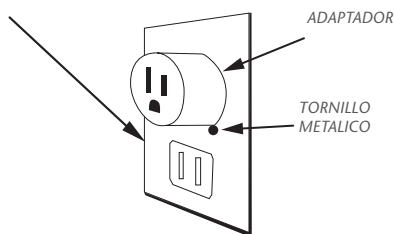
**▲ ADVERTENCIA:** La conexión incorrecta del conductor de conexión a tierra del equipo puede causar un riesgo de sacudidas eléctricas. Consulte a un electricista calificado o a una persona de servicio competente si tiene dudas sobre si el tomacorriente está conectado a tierra apropiadamente. No modifique el enchufe suministrado con el electrodoméstico. Si el enchufe no

permanente, como por ejemplo una tapa de caja tomacorriente conectada a tierra apropiadamente. Siempre que se utilice el adaptador, se debe sujetar en la posición correcta con un tornillo metálico.

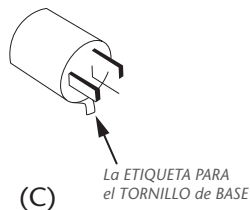
NOTA: En Canadá, el uso de un adaptador temporal no está permitido por el Código Eléctrico Canadiense.



(A)



(B)



(C)

Este electrodoméstico está diseñado para utilizarse en un circuito de 120 V nominales y tiene un enchufe conectado a tierra que tiene un aspecto como el del enchufe que se muestra en la ilustración. Se puede utilizar un adaptador temporal, que tenga un aspecto como el del adaptador que se muestra en la ilustración, para conectar este enchufe a un receptáculo de dos polos, de la manera que se muestra en la ilustración, si no se dispone de un tomacorriente conectado a tierra apropiadamente. El adaptador temporal debe utilizarse únicamente hasta que un electricista calificado pueda instalar un tomacorriente conectado a tierra apropiadamente.

La orejeta, lengüeta o pieza similar rígida de color verde que sobresale del adaptador se debe conectar a una toma de tierra

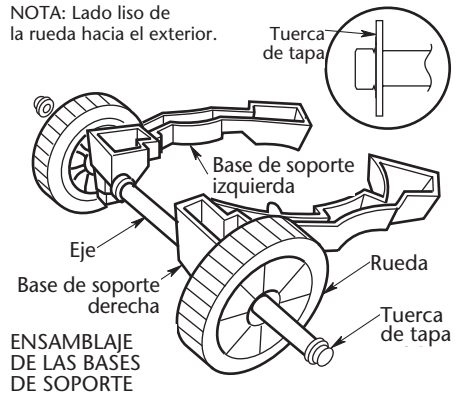
# ENSAMBLAJE

## Ritmo / Caddy

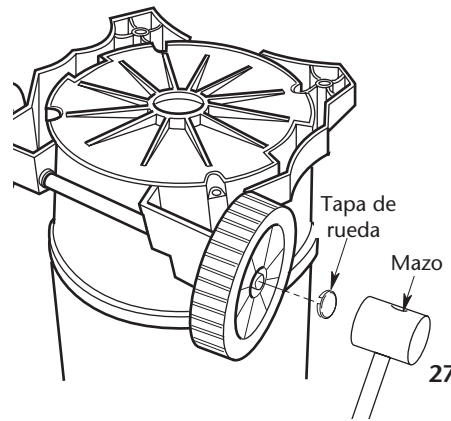
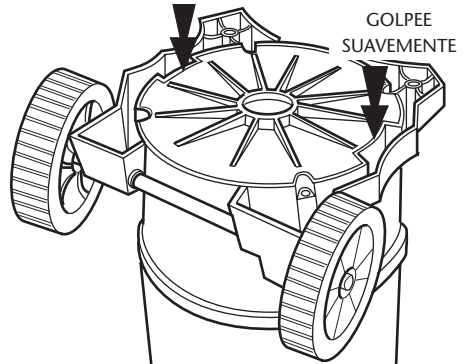
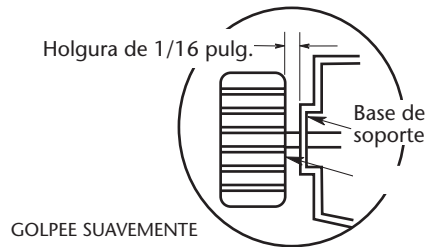
Si cualquiera de las piezas falta o está dañada, póngase en contacto con Servicio al Cliente. No realice el ensamblaje hasta que tenga todas las piezas.

1. Quite las bases de soporte izquierda y derecha del tambor.
2. Instale una tuerca de tapa en un lado de la varilla del eje. Golpee la tuerca suavemente con un mazo de goma o un martillo hasta que esté completamente asentada. Deslice el extremo abierto del eje a través de la rueda (con el lado liso de la rueda orientado hacia afuera).
3. Coloque el ensamblaje de la rueda y el eje a través de la base de soporte izquierda y luego a través de la base de soporte derecha, de la manera que se muestra en la ilustración.
4. Luego, coloque la rueda restante en el ensamblaje de las bases de soporte (con el lado liso de la rueda orientado hacia afuera) e instale la segunda tuerca de tapa.
5. Invierta el tambor para instalar la base de soporte. Coloque el ensamblaje de la base de soporte sobre el tambor, de la manera que se muestra en la ilustración. Asegúrese de que las ruedas giren libremente y no entren en contacto con las bases de soporte.
6. Una vez que las bases de soporte estén alineadas sobre el tambor, golpee suavemente cada extremo de cada base de soporte hasta que se asiente firmemente. Se recomienda golpear la parte central de las bases de soporte delanteras, de la manera que se muestra en la ilustración.
7. Utilizando un mazo de goma o un martillo, golpee suavemente las tapas de rueda, una en cada rueda, hasta que dichas tapas estén firmemente asentadas en cada rueda. Se requiere hacer esto tanto en los lados izquierdo como derecho.

NOTA: Lado liso de la rueda hacia el exterior.



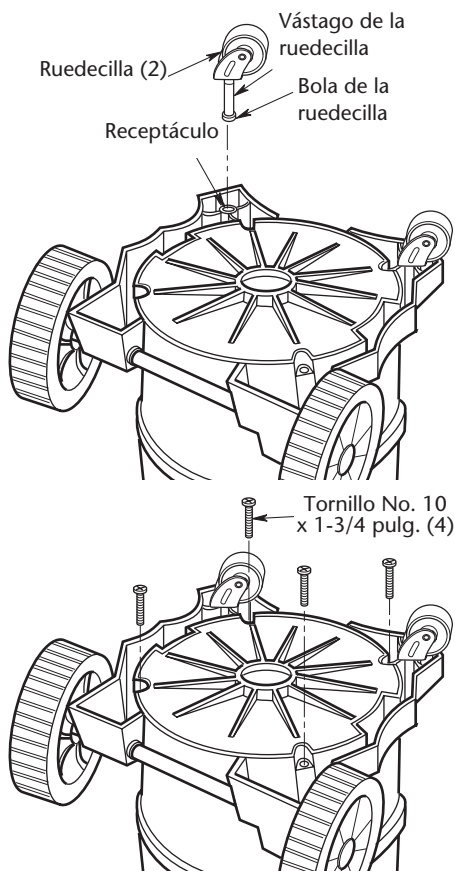
Holgura de 1/16 pulg.



# ENSAMBLAJE (continuado)

## Ritmo / Caddy (continuado)

- Introduzca el vástago de la ruedecilla en el receptáculo del pie de ruedecilla, de la manera que se muestra en la ilustración (ruedecilla delantera solamente).
- Empuje sobre la ruedecilla hasta que la bola del vástago de la ruedecilla esté introducida completamente en el receptáculo. Usted podrá oír como la bola se acopla a presión en el receptáculo y la ruedecilla girará fácilmente cuando el posicionamiento sea correcto.
- Instale (4) tornillos No. 10 x 1-3/4" en los agujeros coincidentes ubicados tanto en el lado derecho como en el lado izquierdo de la base de soporte, sujetando las bases de soporte a la parte inferior del tambor. Apriete los tornillos sólo hasta que queden perfectamente ajustados. No los apriete excesivamente en este momento, ya que esto podría tender a deformar las bases de soporte.



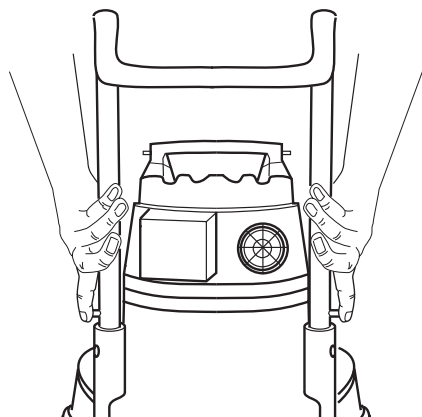
## Instalación del asa

Oprima y mantenga oprimidos los botones de liberación mientras instala el asa en los receptáculos para el asa ubicados en el tambor (vea la ilustración).

NOTA: Un chasquido audible de los botones de liberación indica un acoplamiento exitoso del asa.

## Remoción del asa

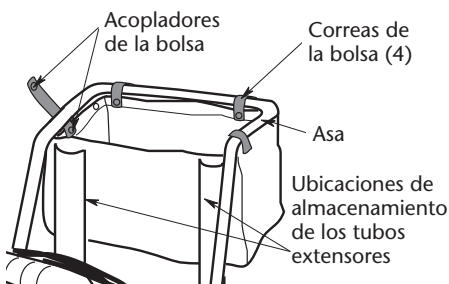
Oprima y mantenga oprimidos los botones de liberación, de la manera que se muestra en la ilustración. Mientras oprime firmemente los botones de liberación, tire del asa hacia arriba hasta quitarla (vea la ilustración).



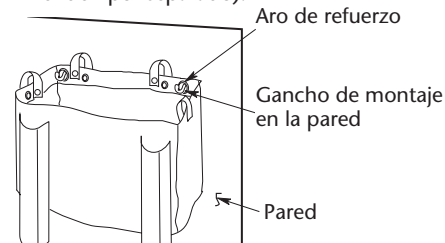
# ENSAMBLAJE (continuado)

## Instalación del portaherramientas

1. Instale el portaherramientas de la manera que se muestra en la ilustración, con los portatubos extensores (no se incluye en todos los modelos) orientados hacia la unidad.



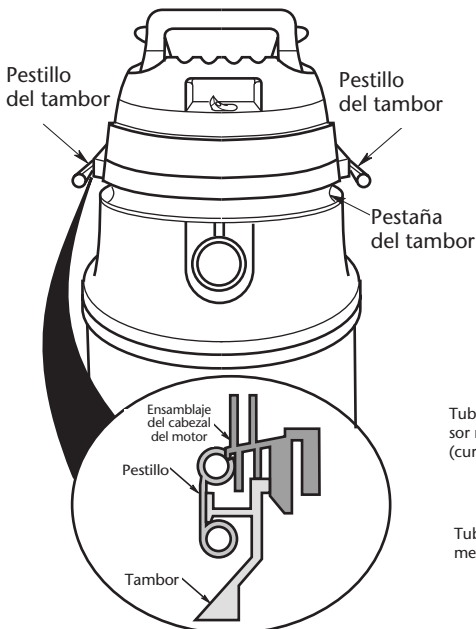
2. Como solución de almacenamiento alternativo, el portaherramientas puede colgar en una pared. Se deben sujetar firmemente a la pared dos ganchos de montaje en la pared de la manera que se muestra en la ilustración (los ganchos se venden por separado).



## Ensamblaje de la aspiradora para mojado/seco

1. Posicione el ensamblaje del cabezal del motor sobre el ensamblaje del tambor/base de soporte, de la manera que se muestra en la ilustración (ensamblado antes).

2. Gire ambos pestillos hacia abajo y presione hasta que los oiga acoplarse a presión sobre las pestañas del tambor.



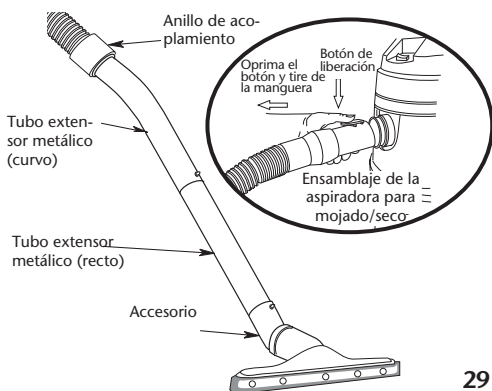
## Introduzca la manguera

Introduzca el pulsador extremo con botón de la manguera en la entrada de la aspiradora. La manguera debe acoplarse a presión en su sitio. Para quitar la manguera de la aspiradora, oprima el botón de liberación que está en el ensamblaje de la manguera y tire de la manguera hasta sacarla de la entrada de la aspiradora, de la manera que se muestra en la ilustración.

Presione el tubo extensor metálico curvo hacia el interior del anillo de acoplamiento del extremo de la manguera.

Una los dos tubos extensores metálicos, alineando el botón y el agujero de manera que se acoplen uno con otro.

Instale los accesorios, alineando el botón y el agujero de manera que se acoplen juntos.



# FILTROS

## Remoción e instalación del filtro Qwik Lock™

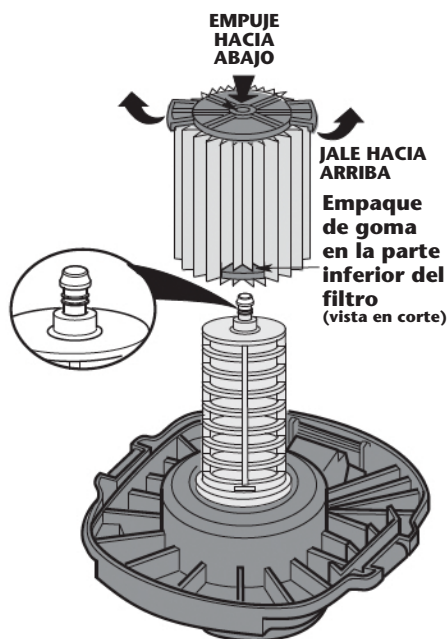
### Remoción del filtro:

1. Sostenga las lengüetas del filtro Qwik Lock en cada mano.
2. Con un dedo pulgar en el vástago Qwik Lock, que sobresale a través de la placa del filtro integrada, levante las lengüetas del filtro a la vez que empuja hacia abajo sobre el vástago.
3. Esta acción hará que el filtro se suelte de la jaula del filtro. Deslice el filtro hasta retirarlo de la jaula.

### Instalación del filtro:

1. Deslice cuidadosamente el filtro Qwik Lock sobre la jaula del filtro y presione hacia abajo sobre el borde exterior del filtro hasta que el empaque de goma ubicado en la parte inferior del filtro se asiente firmemente alrededor de la base de la jaula del filtro y contra la tapa.
2. Alinee el agujero central pequeño ubicado en la parte superior del filtro sobre el vástago Qwik Lock ubicado en la jaula del filtro. Presione firmemente sobre la parte de arriba del filtro cerca del vástago, para permitir que el filtro se acople a presión sobre la bola ubicada en el extremo del vástago. Una vez hecho esto, el filtro estará instalado.

**NOTA:** Si no se asienta apropiadamente el empaque inferior, el resultado podría ser que los residuos rodeen el filtro.



Para realizar pedidos, comuníquese con el distribuidor local o con el Servicio de Atención al Cliente de ProTeam al: 866.888.2168  
[www.pro-team.com](http://www.pro-team.com)  
[customerservice.proteam@emerson.com](mailto:customerservice.proteam@emerson.com)

Quick Lock Wet Fine Dust Cartridge Filter - 107175

Quick Lock HEPA Media Filter - 107176

Quick Lock Wet Filter - 107177

**⚠ ADVERTENCIA:** No utilice la aspiradora sin la jaula del filtro y el flotador, ya que estas piezas evitan que entre líquido en el impulsor y dañe el motor.



# FUNCIONAMIENTO

- ▲ ADVERTENCIA:** Para reducir el riesgo de incendio, explosión o daños a la aspiradora:
- No deje la aspiradora en marcha mientras esté desatendida. Usted podría no notar señales importantes que indiquen un funcionamiento anormal, tal como pérdida de succión, residuos o líquido que salen por el escape o ruidos anormales del motor. Deje de usar la aspiradora inmediatamente si observa estas señales.
  - No deje la aspiradora enchufada cuando no se esté utilizando.
  - No continúe usando la aspiradora cuando el flotador haya cortado la succión.
  - Las chispas generadas dentro del motor pueden incendiar los materiales inflamables suspendidos en el aire. No utilice la aspiradora cerca de líquidos inflamables ni en áreas con gases o vapores inflamables o polvo explosivo/suspendido en el aire. Los líquidos inflamables, gases inflamables y los vapores inflamables incluyen: líquido encendedor, limpiadores tipo solvente, pinturas a base de aceite, gasolina, alcohol y rociadores tipo aerosol. Los polvos explosivos incluyen: carbón, magnesio, aluminio, grano de cereal y pólvora.
  - No recoja con la aspiradora polvos explosivos, líquidos inflamables ni cenizas calientes.

- ▲ ADVERTENCIA:** Para reducir el riesgo de descargas eléctricas o lesiones:
- No exponga la aspiradora a la lluvia ni deje que entre líquido en el compartimiento del motor. Almacene la aspiradora en un lugar interior.
  - No maneje el enchufe, el interruptor o la aspiradora con las manos mojadas.
  - Desenchufe la aspiradora antes de hacerle servicio de ajustes y reparaciones. Si la aspiradora no está funcionando como debería, le faltan piezas, se ha caído, está dañada, se ha dejado a la intemperie
  - Cuando utilice un cordón de extensión, utilice únicamente cordones con capacidad nominal para uso a la intemperie que estén en buenas condiciones. No deje que la conexión entre en contacto con líquido

Después de enchufar el cordón de energía en el tomacorriente, encienda la unidad empujando el interruptor de la posición "O" a la posición "I". Los símbolos utilizados en el accionador del interruptor son los símbolos internacionales de "encendido y apagado".



Familiarícese con los accesorios que se incluyen con la aspiradora. Cada accesorio puede usarse de diversas maneras para aspirar y soplar residuos. A continuación hay una lista de los accesorios y de sus usos.

**Ensamblaje de la manguera-** brinda transferencia de la capacidad de aspiración al sitio de construcción. Proporciona el medio para conectar los tubos extensores y las herramientas de mano.

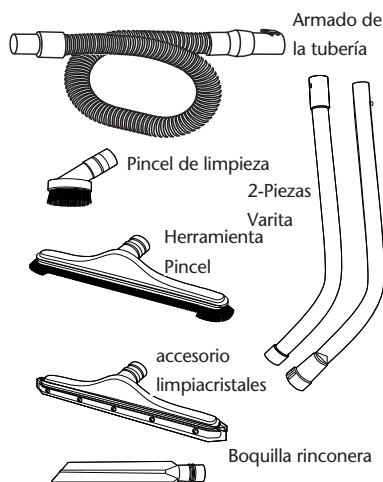
**Cepillo para polvo** -se utiliza para realizar limpieza detallada en espacios pequeños.

**Herramienta de cepillo para pisos-** utilízela para limpiezas de áreas secas grandes en superficies lisas.

**Boquilla barredorade goma-** utilízela para limpiezas en áreas mojadas grandes en superficies lisas.

**Boquilla de garra-** utiliza para aspirar muebles, tela y tapicería.

**Tubos extensores de 2 piezas-** utilízelos para conectar la manguera a herramientas



# FUNCIONAMIENTO (continuado)

## Recogida de materiales secos con la aspiradora

1. El filtro debe estar siempre en la posición correcta para reducir el riesgo de fugas y posibles daños a la aspiradora.

2. La aspiradora para mojado/seco viene con el filtro mojado filtro instalado. Al utilizar la aspiradora para recoger polvo muy fino, será necesario que usted vacuúme el tambor y limpie el filtro a intervalos más frecuentes para mantener un rendimiento óptimo.

**NOTA:** Se necesita un filtro seco para recoger material seco. Si utiliza la aspiradora para recoger polvo cuando el filtro está mojado, éste se atascará rápidamente y será muy difícil limpiarlo. Utilice el filtro húmedo al momento de retirar el material húmedo.

## Recogida de líquidos con la aspiradora

**NOTA:** Al recoger pequeñas cantidades de agua, el filtro fino polvo puede dejarse en su lugar

1. Cuando recoja grandes cantidades de líquido, el filtro para polvo fino se debe retirar y el filtro de malla para material mojado (107177) se debe instalar. Si no se retira el filtro para polvo fino, podría entrar agua en la carcasa del motor, lo cual podría sobrecargar y dañar el motor. Si el filtro de malla para material mojado no está instalado, es posible que también entren residuos pequeños o escamas de jabón a la carcasa del motor y causen daños al motor.

2. El mecanismo del flotador se activa para impedir que entre agua en la carcasa del motor. Cuando el líquido contenido en el tanque alcance un nivel predeterminado, el mecanismo del flotador subirá automáticamente para cortar el flujo de aire. Cuando esto ocurra, apague la aspiradora, desenchufe el cordón de alimentación y vacíe el tanque. Usted sabrá que el flotador ha subido porque el flujo de aire de la aspiradora cesará y el ruido del motor alcanzará una frecuencia más alta, debido al aumento en la velocidad del motor.

**IMPORTANTE:** Para reducir el riesgo de daños a la aspiradora, no tenga en marcha el motor con el flotador en la posición elevada.

3. Después de utilizar la aspiradora, siga las instrucciones de mantenimiento del filtro que se encuentran en la página 34, para reducir el riesgo de posible formación de moho y dañosal filtro.

## Vacuumiado del tambor

**⚠ ADVERTENCIA:** Para reducir el riesgo de lesiones debidas a un arranque accidental, desenchufe el cordón de energía antes de vacuúmar el tambor.

**⚠ ADVERTENCIA:** Para reducir el riesgo de que se produzcan lesiones en la espalda o caídas, no levante la aspiradora si pesa demasiado debido a que contiene líquido o residuos. Saque o haga salir una cantidad suficiente del contenido para hacer que la aspiradora sea suficientemente liviana como para poder levantarla cómodamente.

1. La aspiradora viene equipada con un drenaje para vacuúmarla fácilmente de líquidos. Simplemente desenrosque la tapa del drenaje y levante ligeramente el lado opuesto para vacuúmar el tambor.
2. Otra opción es quitar el ensamblaje del cabezal del motor.
3. Ponga a un lado el ensamblaje del cabezal del motor en un área limpia mientras vacuúma el tambor.
4. Vierta el contenido del tambor en el recipiente de eliminación de residuos apropiado.

## Traslado de la aspiradora para mojado/seco

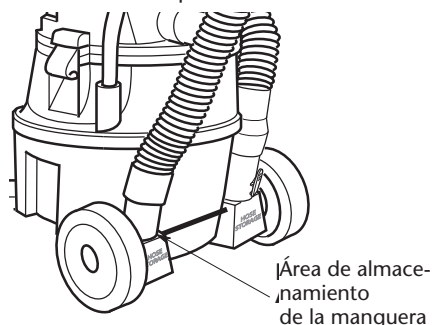
En caso de que sea necesario levantar la aspiradora para trasladarla, las asas ubicadas en los lados del tambor para polvo se usan para levantar la aspiradora. Para maniobrar la aspiradora, se debe usar el asa de empuje/tracción ubicada en la parte trasera de la unidad.

# ACCESORIOS

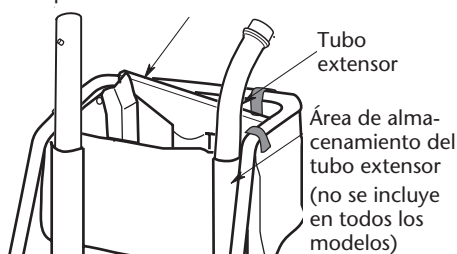
Los accesorios se pueden almacenar en la bolsa desmontable o en las dos ubicaciones que están en la base de soporte derecha/izquierda. La manguera se puede almacenar enrollándola alrededor de la unidad y colocando cada uno de sus extremos en las dos áreas marcadas con las palabras "Hose Storage".

NOTA: Introduzca el extremo macho del tubo extensor en el manguito del portador de la manera que se muestra en la ilustración.

La manguera se puede almacenar enrollándola alrededor de la unidad e introduciendo el extremo abierto en una de las ubicaciones de almacenamiento que están en el ensamblaje de las bases de soporte.

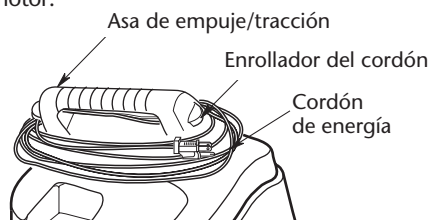


Compartimiento de almacenamiento de accesorios



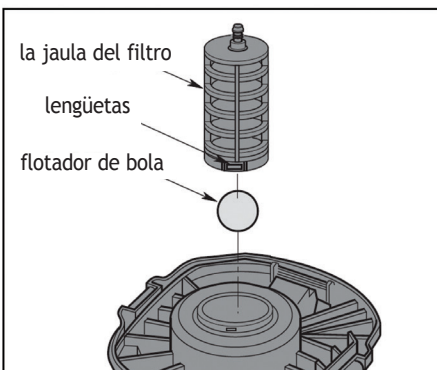
## Enrollado del cordón

Cuando se haya completado la limpieza con la aspiradora, desenchufe el cordón de energía y enróllelo alrededor del ensamblaje del cabezal del motor, de la manera que se muestra en la ilustración. El cordón se debe enrollar debajo del asa de tracción (por encima de la entrada) y alrededor y debajo del enrollador del cordón ubicado en la cubierta del motor.



# MANTENIMIENTO PREVENTIVO

## LIMPIEZA DE LA JAULA DEL FILTRO Y EL MECANISMO DEL FLOTADOR



1. Retire el filtro de la jaula del filtro.
2. Presione hacia dentro la lengüeta de remoción y pivote la jaula del filtro hacia fuera.
3. Elimine los residuos de la jaula y del mecanismo del flotador.
4. Coloque el flotador de bola sobre la abertura ubicada en el centro de la tapa sobre el agujero (Consulte la página 30).
5. Alinee las lengüetas de la jaula del filtro con las ranuras ubicadas en el anillo central de la tapa.
6. Empuje sobre la jaula del filtro hasta que las lengüetas se acoplen a presión en las ranuras para lograr un ajuste seguro.

---

---

# MANTENIMIENTO PREVENTIVO (continuado)

---

---

## Limpieza del filtro para polvo fino

NOTA: Limpie el filtro en un área abierta.

La limpieza se debe realizar al aire libre.

1. Retire el filtro de la aspiradora. Golpee suavemente el filtro contra la pared interior del tanque de polvo. Los residuos se soltarán y caerán.
2. Para realizar una limpieza minuciosa de un filtro obstruido con polvo fino (sin residuos en la superficie), haga correr agua por el exterior de los pliegues del filtro y asegúrese de que la presión del agua no sea lo bastante fuerte como para dañar el filtro.

**IMPORTANTE:** Después de realizar la limpieza, compruebe el filtro para determinar si tiene desgarraduras o agujeros pequeños. No utilice un filtro que tenga agujeros o desgarraduras. Incluso un agujero pequeño puede hacer que salga mucho polvo de la aspiradora. Si el filtro está dañado, reemplácelo de inmediato.

## Limpieza del filtro para material mojado

Para obtener los mejores resultados de limpieza, limpie el filtro de malla en un lavadero utilitario o debajo de una llave de agua.

1. Retire el filtro de la aspiradora. Golpee suavemente el filtro contra la pared interior del tanque de polvo para soltar los residuos de la superficie.
2. Para realizar una limpieza minuciosa del filtro mojado, pase agua a través del mismo de dentro a fuera. Mientras hace esto, pase la mano o un cepillo blando sobre la superficie para retirar los residuos que se mantengan adheridos a ella.
3. En el caso de un filtro recubierto u obstruido con cera para pisos, enjuague el filtro con un producto químico decapante para pisos diluido. La utilización de agua templada y un cepillo blando debería prolongar la vida útil del filtro. Enjuague el filtro de nuevo, sólo con agua templada, para eliminar todo producto químico que quede.

**IMPORTANTE:** Si las superficies sellantes o la malla se han dañado, o si el filtro está obstruido y no se puede reparar, reemplace de inmediato el filtro para material mojado.

**IMPORTANTE:** El filtro de malla para material mojado consiste en múltiples capas de malla fina y gruesa, diseñada especialmente para proteger el motor de la aspiradora. Este filtro ha sido diseñado para romper las escamas de jabón y capturar el decapante para pisos y la mayor parte de los residuos que permanecen en un piso cuando se limpia mojándolo. La utilización de este filtro NO reemplaza la prelimpieza de un piso antes de decapar dicho piso.

---

---

# MANTENIMIENTO PREVENTIVO (continuado)

---

---

## Limpieza y desinfección de la aspiradora para mojado/seco

Para mantener el mejor aspecto posible de la aspiradora para mojado/seco, limpie su exterior con un paño humedecido con agua templada y un jabón suave.

Para limpiar el tambor:

1. Vacuumie de residuos el tambor.
2. Lave a fondo el tambor con agua templada y un jabón suave.
3. Limpie el tambor con un paño seco.

Antes de un almacenamiento prolongado o según sea necesario (por ejemplo, si se recogen aguas residuales), se debe desinfectar el tambor.

Para desinfectar el tambor:

1. Eche 1 galón de agua y 1 cucharadita de blanqueador de cloro en el tambor.
2. Deje que la solución repose durante 20 minutos y agítela cuidadosamente cada pocos minutos, asegurándose de mojar todas las superficies interiores del tambor.
3. Vacuumie el tambor después de 20 minutos. Enjuáguelo con agua hasta que el olor a blanqueador desaparezca. Deje que el tambor se seque completamente antes de sellar el motor sobre el tambor.

**⚠ ADVERTENCIA:** Para garantizar la **SEGURIDAD** y **CONFIABILIDAD** del producto, las reparaciones y los ajustes deben realizarse por Centros de Servicio autorizados, usando siempre piezas de repuesto

## Mantenimiento del cordón

Cuando se haya completado la limpieza con la aspiradora, desenchufe el cordón y enróllelo alrededor de la cubierta del motor. Si el cordón de energía está dañado, debe ser reemplazado por el fabricante o su agente de servicio o por personal similarmente calificado, para reducir el riesgo de accidente.

## Almacenamiento

Antes de almacenar la aspiradora, se debe vacuumiar y limpiar el tambor para polvo. El cordón se debe enrollar alrededor de la unidad y la manguera se debe almacenar de la manera descrita en este manual. Los accesorios se deben mantener en la misma área que la aspiradora para que estén al alcance de la mano cuando se necesiten. La aspiradora se debe almacenar en interiores.

## Ruedecillas y ruedas

Si el carro rechina o es difícil de hacer rodar, debe poner dos o tres gotas de aceite de uso general en el eje de cada rueda. Si las ruedecillas hacen ruido, puede poner una gota de aceite en el eje del rodillo para que hagan menos ruido.

## Armazón y mangos

El mango metálico está pintado para impedir la formación de herrumbre. Sin embargo, los líquidos y los residuos corrosivos deben limpiarse con un paño suave si entran en contacto con el mango.

# PROGUARD 16 MD PIEZAS DE REPUESTO

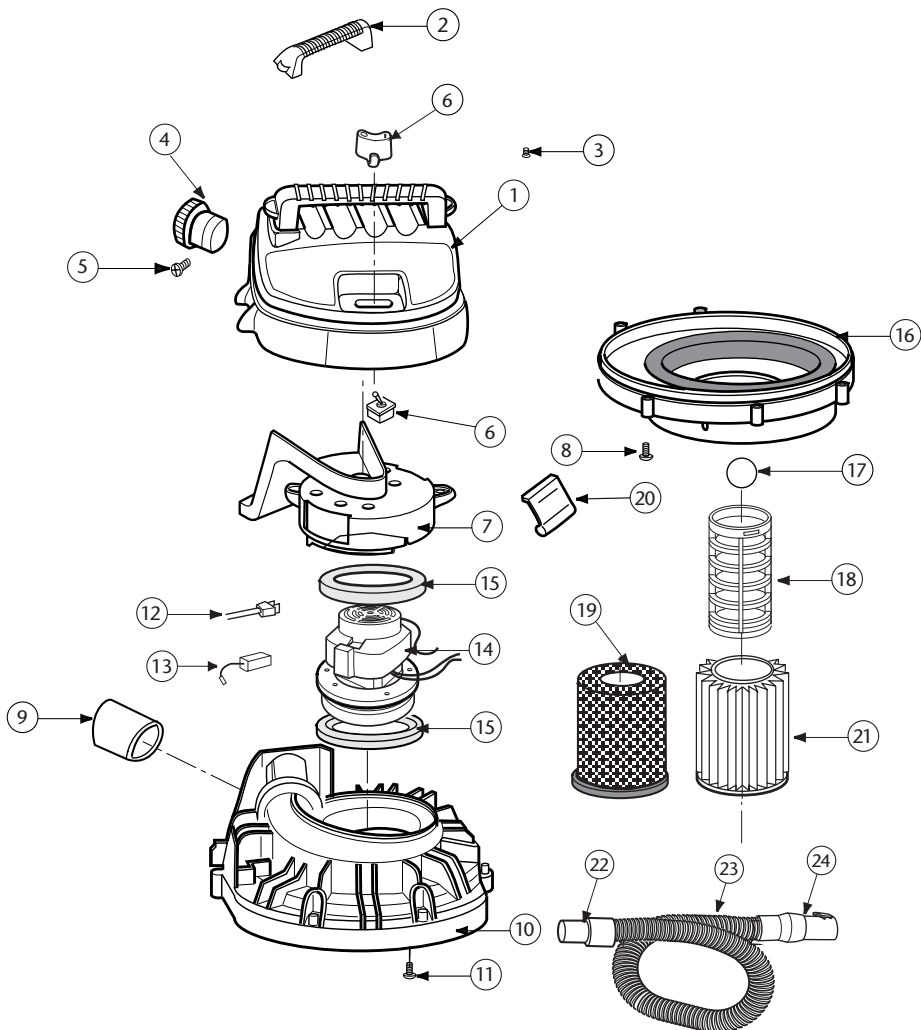
## ProGuard 16 MD

ORDEN #

CANTIDAD

1	510286	Ensamblaje de la cubierta del motor	1 de cada
2	830565-2	Asa de la cubierta del motor	1 de cada
3	820563-4	Tornillo tipo ab no. 10 X 3/4 de pulgada	1 de cada
4	833600	Ensamblaje del difusor	1 de cada
5	820563-4	Tornillo tipo ab no. 10 X 3/4 de pulgada	1 de cada
6	510127	Interruptor y cubierta del interruptor (juego)	1 de cada
7	831651	Ensamblaje del conducto de escape del motor	1 de cada
8	820563-4	Tornillo de 10-32 x 3/4 de pulgada	1 de cada
9	830609	Almohadilla de espuma del escape	1 de cada
10	831653-1	Tapa	1 de cada
11	826453-2	Tornillo tipo ab no. 10 X 3/4 de pulgada	1 de cada
12	831657-1	Ensamblaje del cordón de alimentación (11,5 pulgadas, 16/3)	1 de cada
13	822374-8	Juego de escobillas de carbono	conjunto de 1
14	831567	Ensamblaje del motor completo	1 de cada
15	827415	Empaquetadura del motor	1 de cada
16	831659	Ensamblaje del colector	1 de cada
17	833778	Flotador de bola	1 de cada
18	830101-1	Jaula del filtro	1 de cada
19	107177	Filtro para aplicaciones mojadas	1 de cada
20	826387	Pestillo del tambor	1 de cada
21	107175	Filtro de cartucho para polvo fino qwik lock™	1 de cada
22	831577	Ensamblaje de la manguera	1 de cada
23	831337-6	La manguera de la Asamblea con los puños	1 de cada
24	829900	Adaptador del anillo de fijación	1 de cada

# PROGUARD 16 MD ASAMBLEA



# PROGUARD 16 MD PIEZAS DE REPUESTO

## ProGuard 16 MD

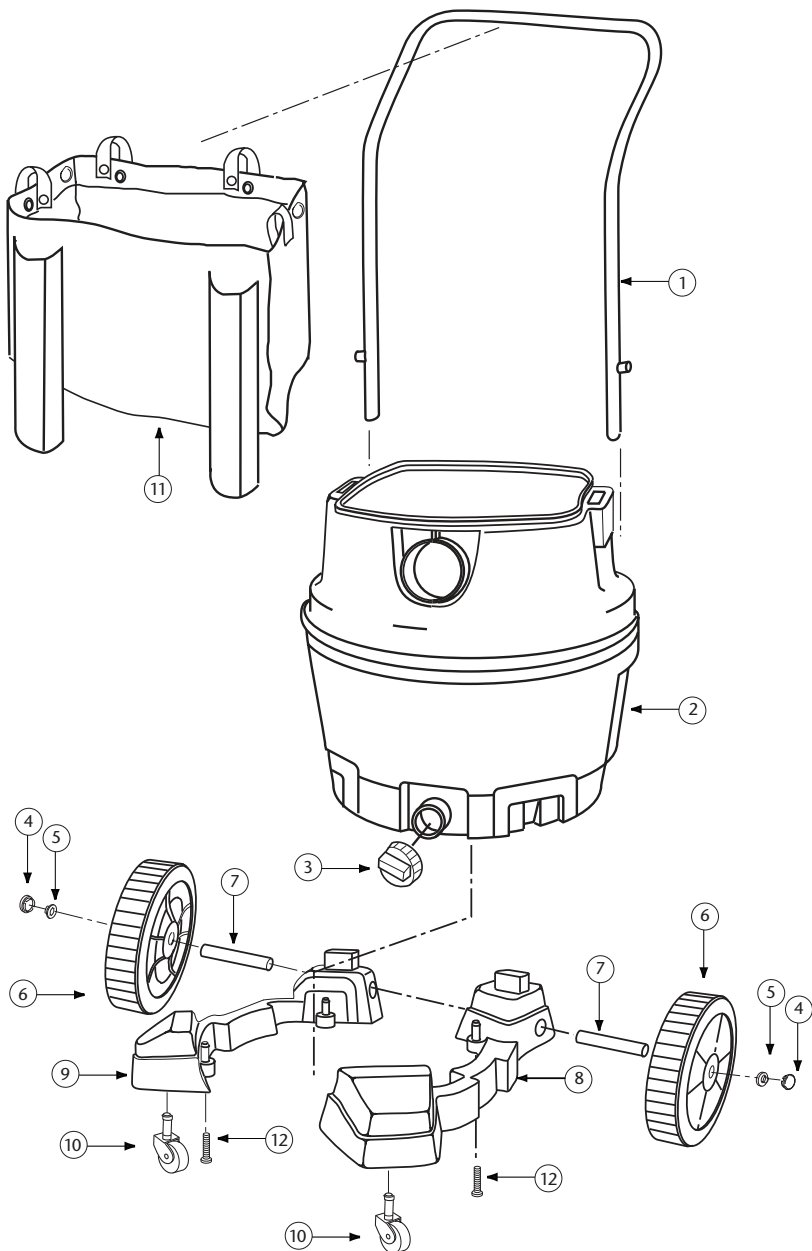
**ORDEN #**

**CANTIDAD**

1	830686	Asa	1 de cada
2	831660-2	Ensamblaje del tambor para polvo	1 de cada
3	73185	Tapa del drenaje	1 de cada
4	830611	Tapa de rueda	1 de cada
5	813836-1	Tuerca de tapa de 1/2 pulgada	1 de cada
6	832190	Ensamblaje de rueda de 8 pulgadas (incluye las claves 4 y 5)	1 de cada
7	831024	Eje	1 de cada
8	830576	Base de soporte derecha	1 de cada
9	830577	Base de soporte izquierda	1 de cada
10	832123	Ruedecilla	1 de cada
11	831668-1	Bolsa	1 de cada
12	820563-5	Tornillo tipo "AB" No. 10 x 1-3/4"	1 de cada
	509944	Bolsa de piezas sueltas (no ilustrada)(incluye las claves 4, 5, 10 y 12)	1 equipo



# PROGUARD 16 MD ASAMBLEA



---

---

# GARANTÍA LIMITADA

---

---

Esta garantía limitada se aplica a las siguientes aspiradoras comerciales para mojado/seco PROGUARD de ProTeam, Inc. (colectivamente, los “Productos ProGuard”): ProGuard 16 MD.

Si tiene preguntas o necesita asistencia en relación con la garantía de su producto, sírvase llamar al departamento de Servicio al Cliente de ProTeam al (866) 888-2168 de 7:30 a.m. a 5:00 p.m. Hora de la Montaña.

## PROGUARD - Garantía limitada

ProTeam, Inc., radicada en 8100 W. Florissant Avenue, Building T, St. Louis, MO 63136 (“ProTeam”), garantiza al comprador original solamente (“usted”), sujeto a las exclusiones que se describen a continuación, que las piezas componentes y los motores del Producto ProGuard que se mencionan a continuación estarán libres de defectos de material y de fabricación comenzando en la fecha de compra original y continuando durante el periodo establecido a continuación (cada uno un “Periodo de Garantía”). Esta garantía limitada finaliza si el comprador original transfiere el Producto ProGuard a cualquier otra persona o entidad.

### Garantías de las piezas para todos los Productos ProGuard

- Piezas moldeadas en la carcasa de todos los Productos ProGuard: El tiempo de vida útil esperado para el Producto ProGuard.
- Todas las demás piezas componentes (excluyendo el motor) de todos los Productos ProGuard: 3 años.

### Garantías del motor específicas para cada Producto ProGuard

- Motor bifásico para los modelos ProGuard 16 MD años ó 1400 horas, lo que ocurra primero.
- \* Es posible que se apliquen condiciones a la cobertura de garantía del motor que antecede. Consulte “Condiciones de la garantía del motor” a continuación.

Condiciones de la garantía del motor: Motor bifásico para los modelos ProGuard 16 MD.

- La garantía está sujeta a que usted cumpla con el siguiente programa de reemplazo y mantenimiento de las escobillas de carbono. Es posible que se requiera un comprobante de mantenimiento.

1<sup>er</sup> cambio: Después de las primeras 400 horas

2<sup>do</sup> cambio: Después de las siguientes 400 horas

3<sup>er</sup> cambio: Después de las siguientes 300 horas

### Lo que no está cubierto: Exclusiones de la garantía

Esta garantía limitada no se extiende a lo siguiente y expresamente excluye:

- Aditamentos o accesorios que se desgastan por el uso normal y/o de reemplazo, incluyendo, sin limitación, cordones de extensión, mangueras, filtros, interruptores, escobillas de carbono del motor y otros aditamentos del Producto ProGuard.
- Daños o quemadura del motor del Producto ProGuard que se produzcan como resultado de no despejar una obstrucción que ocurra durante el curso del uso normal.
- Pérdida o daños al Producto ProGuard que se produzcan como resultado de condiciones que estén más allá del control de ProTeam, incluyendo sin limitación, uso incorrecto, accidente, abuso, descuido, negligencia (que no sea por parte de ProTeam), sobreuso más allá de la capacidad prevista o modificación o alteración no autorizada.
- Pérdida o daños al Producto ProGuard que se produzcan como resultado de no seguir el programa de mantenimiento requerido, o como consecuencia de no usar el Producto ProGuard de acuerdo con las instrucciones escritas de ProTeam, sus pautas o los términos del manual del usuario.

### Lo que haremos para corregir los problemas

Si un reclamo hecho durante el Periodo de Garantía está cubierto bajo esta garantía limitada, ProTeam o su distribuidor autorizado local de ProTeam, a opción exclusiva de ProTeam, (a) reparará la porción defectuosa del Producto ProGuard o (b) reemplazará el Producto ProGuard completo. EL REMEDIO ÚNICO Y EXCLUSIVO POR EL INCUMPLIMIENTO DE ESTA GARANTÍA LIMITADA ESTARÁ LIMITADO A LA REPARACIÓN O EL REEMPLAZO DEL PRODUCTO PROGUARD.

No se aplica ninguna otra garantía expresa

---

---

# GARANTÍA LIMITADA

---

---

LAS GARANTÍAS LIMITADAS PROVISTAS ARRIBA SON LAS GARANTÍAS ÚNICAS Y EXCLUSIVAS PROVISTAS POR PROTEAM AL COMPRADOR ORIGINAL Y SUSTITUYEN A TODAS LAS DEMÁS GARANTÍAS, ESCRITAS U ORALES, EXPRESAS O IMPLÍCITAS, TANTO SI SURGEN POR LA EJECUCIÓN DE LA LEY COMO DE OTRA MANERA, INCLUYENDO, SIN LIMITACIÓN, LAS GARANTÍAS DE COMERCIABILIDAD O IDONEIDAD PARA UN PROPÓSITO ESPECÍFICO, TANTO SI EL PROPÓSITO HA SIDO REVELADO COMO SI NO LO HA SIDO, Y TANTO SI EL PRODUCTO PROGUARD HA SIDO COMO SI NO HA SIDO DISEÑADO O FABRICADO ESPECÍFICAMENTE PARA EL USO POR USTED O PARA EL PROPÓSITO QUE USTED TENGA. Ningún empleado, agente, distribuidor u otra persona está autorizado a alterar esta garantía limitada o dar cualquier otra garantía en nombre de ProTeam. Los términos de esta garantía limitada no serán modificados por ProTeam, el propietario original ni sus respectivos sucesores o cesionarios.

## Cómo notificarnos

Si descubre que su Producto ProGuard tiene un defecto que cree que está cubierto por esta garantía limitada, debe notificar a ProTeam o al distribuidor autorizado de ProTeam que le vendió el Producto ProGuard dentro del Período de Garantía aplicable. Usted puede ponerse en contacto con el departamento de Servicio al Cliente de ProTeam llamando al (866) 888-2168 entre las horas de 7:30 a.m. y 5:00 p.m. Hora de la Montaña o a cualquier hora a través del número de fax o la dirección de correo electrónico que se indican en el manual del usuario o en nuestro sitio Web. Para que se procese un reclamo bajo garantía lo antes posible, le sugerimos que complete la “Tarjeta de registro (Registration Card)” que está a su disposición en el sitio Web de ProTeam en [www.pro-team.com](http://www.pro-team.com). Si opta por no registrar su Producto ProGuard, para hacer un reclamo bajo garantía necesitará proporcionar una copia de su recibo de venta u otro comprobante de compra que muestre la fecha de compra a ProTeam o su distribuidor autorizado local de ProTeam.

## Procedimientos de reparación y reemplazo

Sírvase llamar al número del departamento de Servicio al Cliente indicado más arriba o visitar el sitio Web de ProTeam para localizar al distribuidor autorizado de ProTeam más cercano a usted. Si no hay un distribuidor autorizado local de ProTeam, nuestro departamento de Servicio al Cliente le dará el nombre y la dirección del representante de servicio de campo más cercano o le dará instrucciones para enviar su Producto ProTeam al centro de reparaciones de ProTeam. ProTeam o su distribuidor autorizado local de ProTeam determinará si su reclamo está cubierto bajo esta garantía limitada, sujeto a las limitaciones o exclusiones descritas en esta garantía limitada, o si ha excedido el Período de Garantía aplicable. Su distribuidor autorizado local de ProTeam reparará su Producto ProGuard, enviará su Producto ProGuard al centro de reparaciones del distribuidor o de ProTeam, o contactará a ProGuard para obtener un Producto ProGuard de reemplazo. La decisión de reemplazar su Producto ProGuard se tomará bajo la discreción exclusiva de ProTeam. Las reparaciones o modificaciones realizadas al Producto ProGuard por alguien ajeno a ProTeam, el centro de reparaciones autorizado de ésta o un distribuidor autorizado local anularán esta garantía limitada. La cobertura bajo esta garantía limitada está condicionada en todo momento a que el comprador original cumpla con estos procedimientos requeridos de notificación y reparación.

## Limitación de responsabilidad

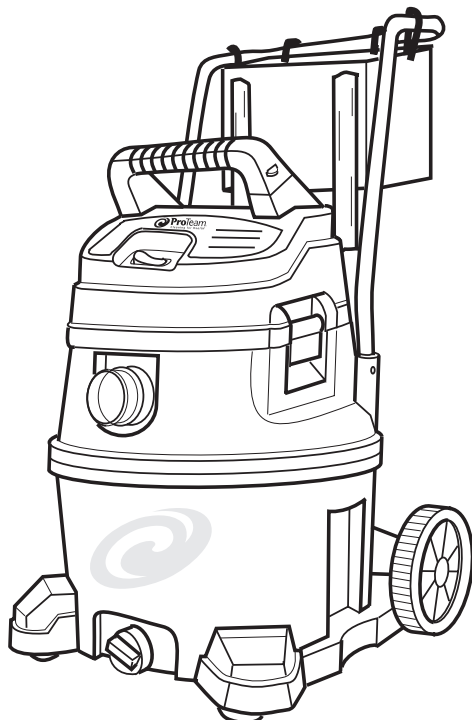
EN LA MEDIDA PERMITIDA POR LA LEY, PROTEAM NO SERÁ RESPONSABLE EN NINGÚN CASO POR DAÑOS INCIDENTALES, ESPECIALES, INDIRECTOS O EMERGENTES, INCLUYENDO CUALQUIER PÉRDIDA ECONÓMICA, TANTO SI SON EL RESULTADO DE UN RENDIMIENTO DEFICIENTE COMO DE UTILIZACIÓN, USO INCORRECTO O INCAPACIDAD PARA UTILIZAR EL PRODUCTO PROGUARD O NEGLIGENCIA POR PARTE DE PROTEAM. EL VENDEDOR NO SERÁ RESPONSABLE POR LOS DAÑOS CAUSADOS POR UNA DEMORA EN LA EJECUCIÓN Y EN NINGÚN CASO, INDEPENDIENTEMENTE DE LA FORMA DEL RECLAMO O LA CAUSA DE ACCIÓN (TANTO SI SE BASA EN CONTRATO, COMO EN INCUMPLIMIENTO, NEGLIGENCIA, RESPONSABILIDAD ESTRUCTIVA, OTRO AGRAVIO O ALGUNA OTRA COSA), EXCEDERÁ LA RESPONSABILIDAD DE PROTEAM ANTE EL COMPRADOR Y/O SUS CLIENTES EL PRECIO PAGADO POR EL PROPIETARIO ORIGINAL DEL PRODUCTO PROGUARD. La expresión “daños emergentes” incluirá, pero no estará limitada a, pérdida de utilidades previstas, interrupción del negocio, pérdida de uso o ingresos, costo de capital o pérdida o daños a bienes o equipos. Algunos estados no permiten la exclusión o limitación de los daños incidentales o emergentes, por lo que es posible que la limitación que antecede no tenga aplicación en el caso de usted. Esta garantía limitada le confiere a usted derechos legales específicos y es posible que usted tenga también otros derechos que varían de un estado a otro.



## MODE D'EMPLOI

Aspirateurs de liquides et de poussières  
à usage commercial de grande capacité  
avec moteur biphasé

ProGuard® 16 MD  
1073860



### **⚠ AVERTISSEMENT**

Pour réduire le risque de blessure, l'utilisateur doit lire et comprendre le mode d'emploi avant d'utiliser ce produit.

 **ProTeam**®

---

---

# TABLE DES MATIÈRES

---

---

## **ProGuard® 16 MD, Aspirateur de liquides et de poussières de 16 gallons**

Consignes de sécurité importantes	45-46
Introduction	47
Mise à la terre	48
Assemblage	49-51
Filtres	52
Utilización	53-54
Accessoires	55
Maintenance préventive	55-57
Liste des pièces	58-61
Garantie limitée	62-63
Anglais	1-20
Espagnol	21-42

Allez à [www.pro-team.com](http://www.pro-team.com) pour faire enregistrer votre nouvel aspirateur.

## **INSPECTION**

Déballiez et inspectez attentivement votre nouvel aspirateur ProTeam pour vous assurer qu'il n'a pas été endommagé pendant l'expédition. Chaque chargeur est testé et inspecté soigneusement avant l'expédition. Tous les produits renvoyés doivent être accompagnés par un Numéro d'autorisation de retour (NAR). Pour demander un NAR ou pour poser des questions en cas de dommage subi pendant le transport, contactez ProTeam au 866.888.2168 ou à [customerservice.proteam@emerson.com](mailto:customerservice.proteam@emerson.com).

Ce mode d'emploi contient des renseignements importants pour l'utilisation et le fonctionnement sans danger de cette machine. Lisez attentivement ces instructions avant de commencer à vous servir de cette machine. Gardez ce mode d'emploi à portée de la main à tout moment et demandez à tous les propriétaires de le lire.

Si les instructions ne sont pas respectées, il y aurait des risques de blessures aux personnes ou d'endommagement de matériel, de mobilier ou de bâtiments.

Pour obtenir de nouveaux modes d'emploi, veuillez contacter ProTeam, Inc. à : [customerservice.proteam@emerson.com](mailto:customerservice.proteam@emerson.com)

8100 W. Florissant Avenue, Building T, St. Louis, MO 63136 (É.-U.)

866.888.2168, ou visitez [pro-team.com](http://pro-team.com) pour obtenir une version téléchargeable.

Le contenu de ce mode d'emploi est basé sur les informations disponibles les plus récentes sur le produit au moment de la publication. ProTeam se réserve le droit d'apporter des modifications ou des améliorations à ses machines sans préavis.

---

# INSTRUCTIONS IMPORTANTES RELATIVES À LA SÉCURITÉ

---

La sécurité est une combinaison de faire preuve de bon sens, rester vigilant et savoir comment votre aspirateur de liquides et de poussières (l'« aspirateur ») fonctionne.

## Termes de signalisation de questions de sécurité

- ▲ DANGER** : indique une situation dangereuse qui, si elle n'est pas évitée, causera la mort ou une blessure grave.
- ▲ AVERTISSEMENT** : indique une situation dangereuse qui, si elle n'est pas évitée, risque de causer la mort ou une blessure grave.
- ▲ MISE EN GARDE** : indique une situation dangereuse qui, si elle n'est pas évitée, pourrait causer une blessure légère ou modérée.

Prenez toujours des précautions élémentaires, notamment les précautions suivantes, lorsque vous utilisez votre aspirateur de liquides et de poussières

## **▲ AVERTISSEMENT**: Pour réduire le risque d'incendie, de choc électrique ou de blessure

1. Lisez et comprenez ce manuel et toutes les étiquettes placées sur l'aspirateur avant de mettre celui-ci en marche.
2. N'utilisez l'aspirateur que comme cela est décrit dans ce mode d'emploi.
3. Ne laissez pas en marche pendant que vous êtes absent – vous vous risqueriez de manquer des signes importants indiquant un fonctionnement anormal, comme une perte de puissance d'aspiration, la sortie de débris ou de liquides par la bouche de soufflage d'air ou des bruits anormaux en provenance du moteur. Cessez immédiatement d'utiliser l'aspirateur si vous constatez de tels signes.
4. Ne laissez pas l'aspirateur sans surveillance quand il est branché dans une prise de courant. Débranchez-le de la prise quand il n'est pas utilisé et avant toute opération de maintenance.
5. Des étincelles à l'intérieur du moteur risquent de mettre feu à des vapeurs ou poussières inflammables. Pour réduire le risque d'incendie ou d'explosion : n'utilisez pas à proximité de gaz ou de liquides inflammables ou combustibles, ou de poussières explosives, comme de l'essence automobile ou d'autres fiouls, de l'essence à briquet, des produits de nettoyage, de la peinture à l'huile, du gaz naturel, de l'hydrogène, de la poussière de charbon, de la poussière de magnésium, de la poussière d'aluminium, de la poussière de céréales ou de la poudre.
6. N'aspirez jamais de matières en train de brûler ou des matières fumigènes, telles que des cigarettes, des allumettes ou des cendres chaudes.
7. N'aspirez jamais de poussières de plaques de plâtre, de suie ou de cendres de cheminée froides lorsqu'un filtre pour aspirateur de liquides et de poussières standard. Il s'agit de poussières très fines qui risqueraient d'être projetées à nouveau dans l'air ambiant. Utilisez un filtre à poussières fines à la place.
8. Pour réduire le risque d'inhalation de vapeurs toxiques, n'aspirez pas de matériaux toxiques ou dangereux, et n'utilisez pas à proximité de tels matériaux.
9. Pour réduire le risque de choc électrique, n'exposez pas à la pluie et empêchez l'entrée de liquides dans le compartiment du moteur. Rangez à l'intérieur.
10. Ne laissez pas les enfants se servir de l'aspirateur comme d'un jouet. Il faut surveiller de très près quand il est utilisé par des enfants ou à proximité d'enfants.
11. N'utilisez pas avec un filtre déchiré ou sans avoir installé de filtre, sauf quand vous aspirez des liquides, comme cela est décrit dans ce mode d'emploi. Des débris secs capturés par la roue risquent d'endommager le moteur ou d'être expulsés à nouveau dans l'air ambiant.
12. Éteignez l'aspirateur avant de le débrancher.
13. Pour réduire le risque de blessure pouvant être causée par une mise en marche accidentelle, débranchez le cordon d'alimentation avant de changer le filtre ou de le nettoyer.
14. Ne débranchez pas en tirant sur le cordon. Pour débrancher, saisissez la fiche – pas le cordon.
15. N'utilisez pas l'aspirateur avec une fiche, un cordon ou un autre composant endommagé. Si votre aspirateur ne fonctionne pas comme il faut, s'il manque des pièces, s'il quelqu'un l'a laissé tomber

# INSTRUCTIONS IMPORTANTES RELATIVES À LA SÉCURITÉ

s'il est endommagé, s'il a été laissé à l'extérieur ou s'il est tombé dans de l'eau, téléphonez au service d'assistance à la clientèle.

16. Ne tirez pas l'aspirateur et ne le portez pas par son cordon, n'utilisez pas le cordon pour servir de poignée, ne fermez pas une porte sur le cordon et ne laissez pas le cordon tendu passer sur des bords ou des coins tranchants. Ne traînez pas l'aspirateur sur son cordon. Maintenez le cordon à distance des surfaces chauffées.
17. Ne touchez pas la fiche, l'interrupteur ou l'aspirateur avec des mains mouillées.
18. Utilisez seulement des cordons de rallonge qui sont conçus pour emploi à l'extérieur. Les cordons de rallonge en mauvais état ou trop petits en termes de calibre des fils peuvent poser des risques d'incendie et de choc électrique. Pour réduire le risque de tels dangers, inspectez les cordons pour vous assurer qu'ils sont en bon état et que le liquide n'entre pas en contact avec le raccordement. N'utilisez pas de cordons de rallonge dont les conducteurs ont un calibre inférieur à 16 AWG. Pour réduire la perte d'énergie, utilisez un cordon de rallonge de calibre 14 s'il mesure entre 7,5 et 15 mètres de long, ou de calibre 12 s'il mesure 15 mètres de long ou plus.
19. Ne mettez aucun objet dans les orifices de ventilation. N'aspirez pas quand de quelconques orifices de ventilation sont obstrués ; assurez-vous que ces orifices ne sont pas bloqués par de la poussière, de la peluche, des cheveux ou de quelconques objets pouvant réduire la circulation de l'air.
20. Gardez les cheveux, les vêtements flottants, les doigts et toutes les parties du corps à distance des orifices et des pièces mobiles.
21. Pour réduire le risque de chute, faites très attention lorsque vous utilisez l'aspirateur dans des escaliers.
22. Pour réduire le risque de vous faire mal au dos ou de tomber, ne soulevez pas un aspirateur qui est lourd en raison de la présence de liquides ou de débris aspirés. Videz partiellement l'aspirateur en écopant ou en purgeant de façon à l'alléger pour pouvoir le soulever plus facilement.
23. Pour réduire le risque de blessure ou le risque d'endommagement de l'aspirateur, n'utilisez que des accessoires recommandés par ProTeam.
24. Pour réduire le risque de blessure pour les yeux, portez des lunettes de sécurité. L'utilisation de toute soufflante ou de tout aspirateur utilitaire peut toujours causer la projection de corps étrangers dans les yeux, ce qui risque d'entraîner des blessures graves aux yeux.
25. Pour réduire le risque d'être frappé ou entraîné par un aspirateur en train de rouler, bloquez les roulettes lorsque vous utilisez l'aspirateur sur une surface inégale ou inclinée.
26. Raccorder à une prise de courant correctement mise à la terre. Voir instructions relatives à la mise à la terre.

## ▲ MISE EN GARDE :

- Pour réduire le risque de perte auditive, portez des protecteurs d'oreilles lorsque vous vous servez de l'aspirateur pendant plusieurs heures ou quand vous l'utilisez dans un endroit bruyant.
- Portez un masque antipoussières en cas d'utilisation dans un environnement poussiéreux.
- Les décharges statiques sont fréquentes dans les endroits secs ou lorsque l'humidité relative de l'air ambiant est faible. L'aspiration de débris fins avec votre aspirateur peut déposer une charge statique sur le tuyau ou sur l'aspirateur. La meilleure chose à faire pour réduire la fréquence des décharges statiques chez vous ou lorsque vous utilisez cet aspirateur consiste à ajouter de l'humidité dans l'air avec un humidificateur.

Observez les avertissements suivants qui figurent sur le carter du moteur de votre aspirateur :

- ▲ AVERTISSEMENT : pour votre propre sécurité, lisez et comprenez le manuel de l'opérateur. Ne laissez jamais l'aspirateur en marche sans surveillance. Ne ramassez pas de cendres chaudes, de charbon ou de matières toxiques, inflammables ou dangereuses. N'utilisez pas à proximité de vapeurs ou de liquides explosif
- ▲ AVERTISSEMENT : pour réduire le risque de choc électrique – n'exposez pas à la pluie – rangez à l'intérieur.

**CONSERVEZ CES INSTRUCTIONS**  
Le non-respect de ces instructions peut invalider les garanties.



# INTRODUCTION

## OUTILS NÉCESSAIRES



Tournevis à tête cruciforme



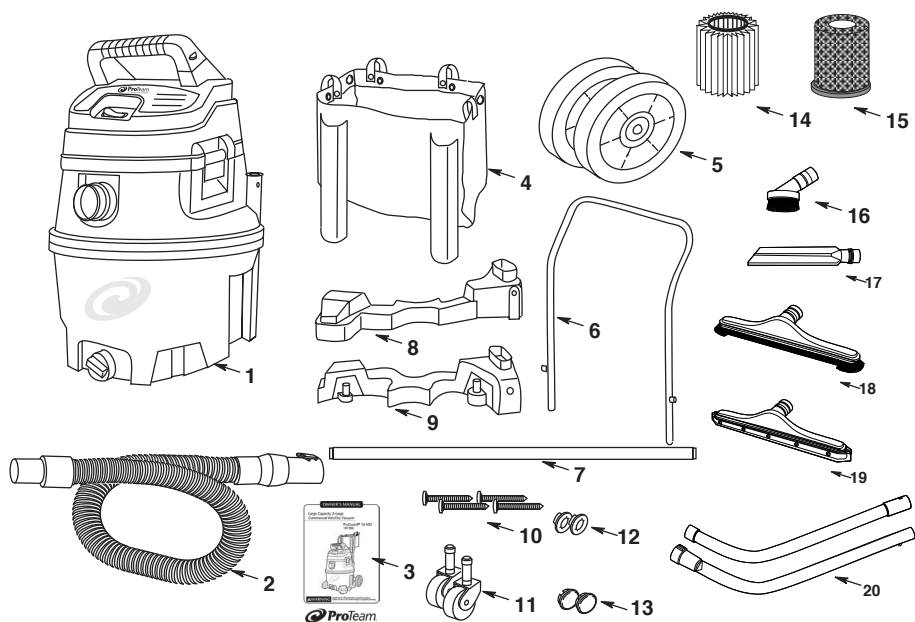
Marteau



Mallet

## APERÇU

1. 16 gallons Aspirateur sec / humide (1)
2. Tuyau (1)
3. Mode d'emploi (1)
4. Sac de rangement (1)
5. Roue de 8 po (2)
6. Poignée en métal (1)
7. Axe (1)
8. Chariot, côté droit (1)
9. Chariot, côté gauche (1)
10. Vis de type AB N° 10 x 1-3/4" (4)
11. Roulette de 2 po (2)
12. Écrou borgne de 1/2 po (2)
13. Chapeau de roue (2)
14. Filtre à sec (1)
15. Filtre humide (1)
16. Brosse 100110 (1)
17. Suceur plat 100107PT (1)
18. Nylon outil brosse à plancher 100623 (1)
19. Raclette 107199 (1)
20. Deux pièces Baguette 1 1/2" 101338 (1)



# INSTRUCTIONS RELATIVES À LA MISE À LA TERRE

CES ASPIRATEURS DOIVENT ÊTRE MIS À LA TERRE. Si un aspirateur cesse de fonctionner ou fonctionne de façon incorrecte, la mise à la terre fournit un chemin de moindre résistance pour le courant électrique, ce qui réduit le risque de choc électrique. Cet appareil est pourvu d'un cordon qui comporte un conducteur de mise à la terre de l'équipement et une fiche de mise à la terre. La fiche doit être insérée dans une prise de courant appropriée qui a été installée et mise à la terre de façon appropriée, conformément à tous les codes et règlements locaux. La suppression du fil de mise à la terre ou l'utilisation d'un cordon qui n'est pas muni d'une fiche de mise à la terre annulera la garantie de l'appareil, et ProTeam n'acceptera alors PAS de responsabilité en liaison avec cet appareil.

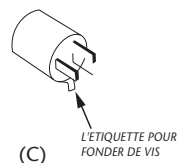
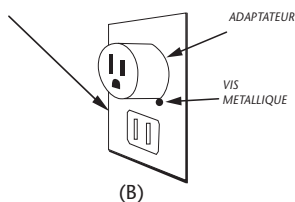
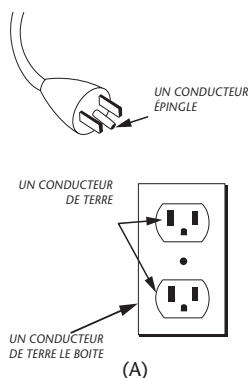
**⚠ AVERTISSEMENT** - Une connexion incorrecte du conducteur du connecteur de mise à la terre de l'équipement peut causer un risque de choc électrique. Consultez un électricien professionnel ou un réparateur compétent en la matière si vous avez le moindre doute quant à la mise à la terre de la prise de courant. Ne modifiez pas la fiche fournie avec l'aspirateur. Si elle ne tient pas dans la prise de courant, demandez à un électricien professionnel d'installer une prise de courant avec mise à la terre conforme aux stipulations du code.

Les aspirateurs de ce mode d'emploi sont conçus pour emploi sur un circuit nominal de 120 volts, et ils ont une fiche mise à la terre qui ressemble à la fiche illustrée à la Figure A. Un adaptateur temporaire qui ressemble à celui qui est illustré sur les croquis B et C peut être utilisé pour connecter cette fiche à une prise de courant à 2 pôles comme illustré sur le croquis B s'il n'y a pas de prise de courant mise à la terre disponible. L'adaptateur temporaire ne doit être utilisé que jusqu'à ce qu'une prise de courant mise à la terre correctement comme illustré sur le croquis A puisse être

installée par un électricien professionnel. L'oreille rigide, la cosse, etc. de couleur verte sortant de l'adaptateur doit être connectée à une terre permanente telle qu'un couvercle de boîtier mis à la terre de façon correcte. Quand il est utilisé, l'adaptateur doit être maintenu en place par une vis en métal.

Remarque : au Canada, le Code national d'électricité interdit l'utilisation d'un adaptateur temporaire.

Pour le Canada - Cet appareil est conçu pour emploi sur un circuit de 120 volts nominal, et il comporte une fiche de connexion pour mise à la terre qui ressemble à la fiche illustrée sur le croquis A. Assurez-vous que les aspirateurs sont connectés à une prise de courant ayant la même configuration que la fiche. Aucun adaptateur ne doit être utilisé avec les aspirateurs présentés en détail dans ce mode d'emploi.



# ASSEMBLAGE

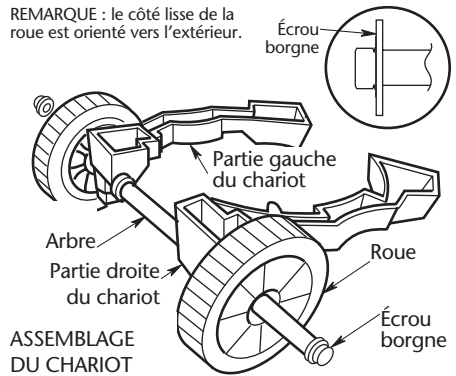
## Assemblage du tambour/ chariot

Veillez contacter le service clientèle si de quelconques pièces sont endommagées ou manquantes.

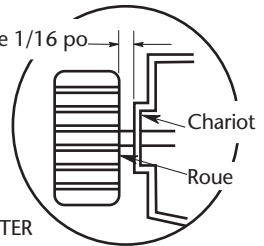
Ne commencez pas le montage si vous ne disposez pas de toutes les pièces.

1. Retirez du tambour les supports de droite et de gauche du chariot.
2. Installez l'écrou borgne sur un côté de la tige de l'arbre. Tapotez doucement avec un marteau ou avec un maillet en caoutchouc jusqu'à ce qu'il soit bien en place. Faites glisser l'extrémité de l'arbre à travers la roue (le côté lisse de la roue étant orienté vers l'extérieur).
3. Placez l'ensemble de roue/arbre à travers la partie gauche du chariot et à travers la partie droit du chariot, comme illustré.
4. Placez ensuite la deuxième roue sur l'ensemble de chariot (le côté lisse de la roue étant orienté vers l'extérieur), et installez le deuxième écrou borgne.
5. Mettez le tambour sens dessus dessous pour installer le chariot. Placez l'ensemble de chariot sur le tambour, comme illustré. Assurez-vous que les roues tournent librement et n'entrent pas en contact avec de quelconques parties du chariot.
6. Une fois que les supports du chariot sont alignés sur le tambour, tapotez doucement sur chaque extrémité de chaque support jusqu'à ce que les supports soient solidement installés à leur place. Il est recommandé de taper sur la partie centrale des supports de l'avant du chariot, comme illustré.
7. En utilisant un marteau ou un maillet en caoutchouc, tapotez doucement sur les chapeaux de roue de chaque roue jusqu'à ce que ces chapeaux de roue soient bien en place sur chaque roue. Ceci est nécessaire à la fois du côté gauche et du côté droit du chariot.

REMARQUE : le côté lisse de la roue est orienté vers l'extérieur.

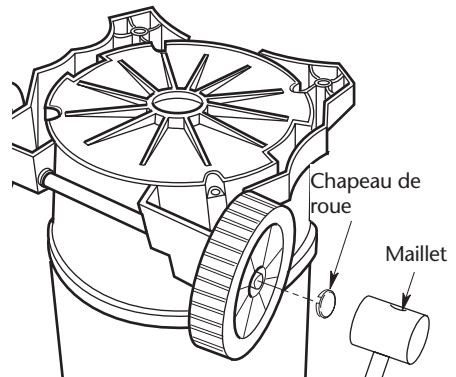
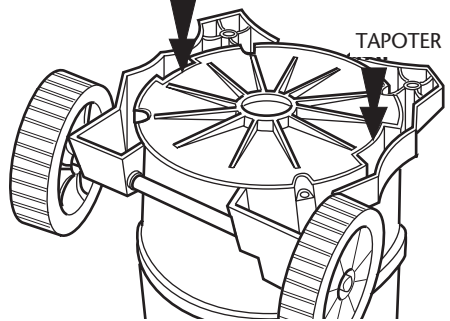


Écart de 1/16 po



TAPOTER

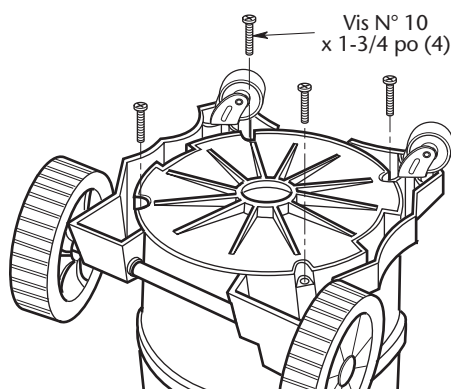
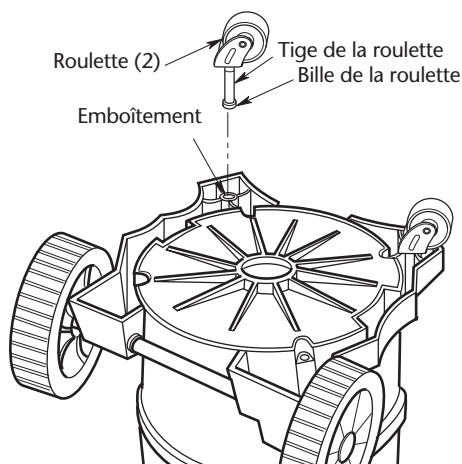
TAPOTER



# ASSEMBLAGE (suite)

## Assemblage du tambour/chariot (suite)

8. Insérez la tige de la roulette dans l'emboîtement du pied de la roulette tel que cela est illustré (roulette avant seulement).
9. Poussez sur la roulette jusqu'à ce que la bille située sur la tige de la roulette soit insérée à fond dans l'emboîtement. Vous pourrez entendre un bruit sec lorsque la bille s'encastrera dans l'emboîtement, et la roulette pivotera facilement une fois que le positionnement aura bien été effectué.
10. Installez (4) vis N° 10 x 1-3/4 po dans les trous correspondants des côtés de droite et de gauche du chariot, en assujettissant les supports au fond du tambour. Serrez les vis, mais pas à fond. Si vous les serriez excessivement, ceci risquerait de déformer le chariot.



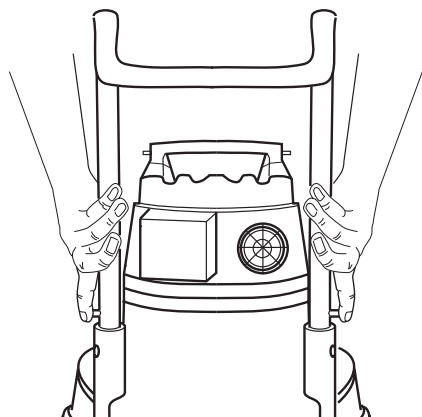
## Mise en place de la poignée

Appuyez sur les boutons de déclenchement, et maintenez-les enfoncés, pendant que vous placez la poignée dans les logements de la poignée situés sur le tambour (veuillez vous reporter à l'illustration).

REMARQUE : lorsque vous entendrez un bruit sec provenant des boutons de déclenchement, cela indiquera que la poignée a été correctement engagée.

## Retrait de la poignée

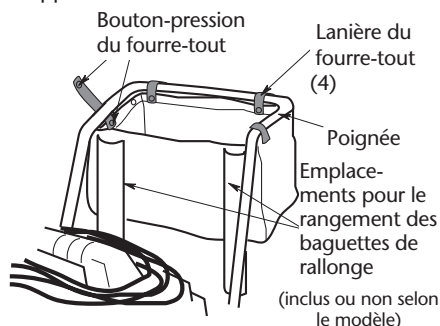
Appuyez sur les boutons de déclenchement, et maintenez-les enfoncés, tel que cela est illustré. Tout en appuyant fermement sur les boutons de déclenchement, tirez la poignée vers le haut afin de la retirer de la illustration).



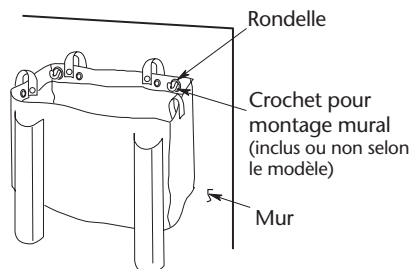
# ASSEMBLAGE (Suite)

## Mise en place du porte-outils

1. Installez le porte-outils de la façon illustrée, les supports des tiges de rallonge (inclus ou non selon le modèle) faisant face à l'appareil.

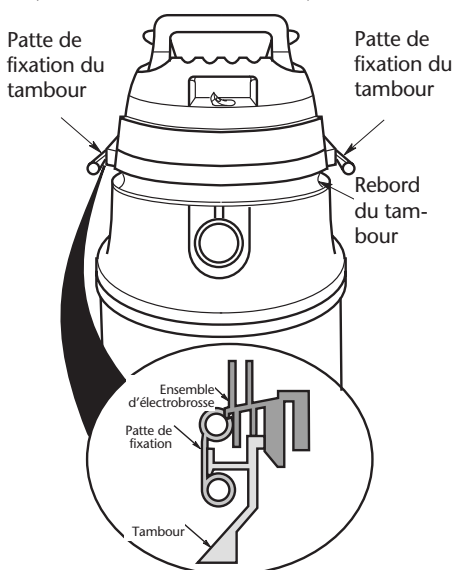


2. Le porte-outil peut être accroché à un mur si vous désirez l'utiliser pour ranger l'appareil. Deux crochets de montage mural (inclus ou non selon le modèle) doivent être assujettis au mur comme illustré (vendus séparément).



## Assemblage de l'aspirateur de liquides et de poussières

1. Positionnez l'ensemble d'élément moteur sur l'ensemble de tambour/chariot tel que cela est illustré (déjà assemblé au cours d'une étape précédente).
2. Faites pivoter les deux pattes de fixation vers le bas et appuyez jusqu'à ce qu'elles s'encliquettent sur les rebords du tambour (vous entendrez un bruit sec).



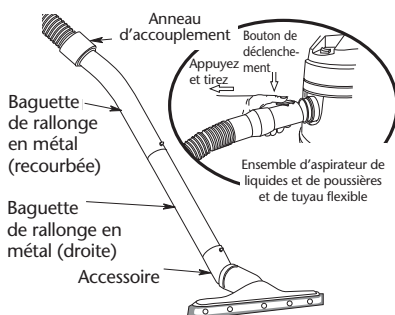
### Insertion du tuyau

Insérez l'extrémité du tuyau de où est situé le bouton de déclenchement à l'intérieur de l'orifice d'aspiration de l'appareil. Le tuyau devrait se mettre en place avec un bruit sec. Pour retirer le tuyau de l'aspirateur, appuyez sur le bouton de déclenchement sur le tuyau et tirez sur le tuyau jusqu'à ce qu'il sorte de l'orifice d'aspiration de l'appareil, tel que cela est illustré.

Enfoncez la baguette de rallonge recourbée en métal dans l'anneau d'accouplement du bout du tuyau flexible.

Raccordez les deux baguettes de rallonge en métal l'une avec l'autre, en alignant le bouton et le trou de façon que le bouton entre complètement dans le trou.

Attachez les accessoires en alignant le bouton et le trou de façon que le bouton entre complètement dans le trou.



# FILTRES

## Retrait et installation du filtre

### Retrait et installation du filtre Qwik Lock™

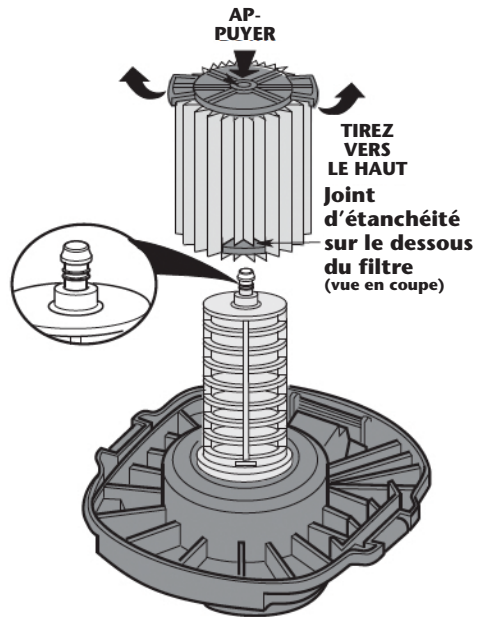
1. Saisissez les deux languettes du filtre Qwik Lock, une dans chaque main.
2. Placez un pouce sur le goujon Qwik Lock, qui dépasse de la plaque de filtre intégrée, tirez sur les languettes du filtre et appuyez en même temps sur le goujon.
3. Cette action aura pour effet que le filtre sera relâché de la cage du filtre. Faites glisser le filtre pour le sortir de la cage.

### Installation du filtre :

1. Faites glisser délicatement le filtre Qwik Lock par-dessus la cage du filtre et appuyez sur le bord extérieur du filtre jusqu'à ce que le joint d'étanchéité en caoutchouc sur le dessous du filtre soit solidement installé autour de la base de la cage du filtre et contre le couvercle.
2. Alignez le petit trou central sur le dessus du filtre au-dessus du goujon Qwik Lock sur la cage du filtre. Appuyez fermement sur le dessus du filtre, à proximité du goujon, pour permettre au filtre de s'emboîter sur l'embout sphérique du goujon. Le filtre est maintenant installé.

**REMARQUE :** si vous n'installez pas correctement le joint d'étanchéité du dessous, il est possible que des débris passent à côté du filtre.

**⚠ AVERTISSEMENT :** ne faites pas fonctionner sans la cage du filtre et le flotteur étant donné qu'ils empêchent l'entrée de liquide dans la roue et protègent ainsi le moteur contre les dommages pouvant en résulter.



Pour commander, contactez votre distributeur local ou appelez le service à la clientèle ProTeam: 866.888.2168  
[www.pro-team.com](http://www.pro-team.com)  
[customerservice.proteam@emerson.com](mailto:customerservice.proteam@emerson.com)

Quick Lock Wet Fine Dust Cartridge Filter - 107175  
Quick Lock HEPA Media Filter - 107176  
Quick Lock Wet Filter - 107177

# UTILIZACIÓN

▲ **AVERTISSEMENT** : pour réduire le risque d'incendie, d'explosion ou d'endommagement de l'aspirateur :

- Ne laissez pas en marche pendant que vous êtes absent – vous vous risqueriez de manquer des signes importants indiquant un fonctionnement anormal, comme une perte de puissance d'aspiration, la sortie de débris ou de liquides par la bouche de soufflage d'air ou des bruits anormaux en provenance du moteur.

Cessez immédiatement d'utiliser l'aspirateur si vous constatez de tels signes.

- Ne laissez pas l'aspirateur branché lorsque vous ne l'utilisez pas.
- Ne continuez pas à utiliser l'aspirateur lorsque le flotteur a coupé l'aspiration.
- Les étincelles à l'intérieur du moteur risqueraient de mettre feu à des matières inflammables en suspension dans l'air. Ne pas utiliser l'aspirateur à proximité de liquides inflammables ou à des endroits où il y a des gaz ou des vapeurs inflammables, ou de la poussière explosive/dans l'air. Les liquides, gaz et vapeurs inflammables comprennent : essence à briquet, produits de nettoyage du type solvant, peinture à base d'huile, essence, alcool et aérosols. Types de poussières explosives : charbon, magnésium, aluminium, céréales et poudre noire.
- N'aspirez pas de poussières explosives, de liquides inflammables ou de cendres chaudes.

▲ **AVERTISSEMENT** : pour réduire le risque de choc électrique ou de blessure :

- N'exposez pas à la pluie, et ne laissez pas de liquides pénétrer dans le compartiment du moteur. Rangez à l'intérieur.
- Ne touchez pas la fiche de branchement, l'interrupteur ou l'aspirateur si vous avez les mains mouillées.
- Débrancher l'aspirateur avant d'effectuer une quelconque opération de maintenance. Si votre aspirateur ne fonctionne pas comme il devrait, si des pièces sont manquantes, si vous l'avez laissé tomber, s'il est endommagé, s'il a été laissé à l'extérieur ou s'il a été immergé dans de l'eau, rappelez-le dans un centre de réparation indépendant ou téléphonez au service d'assistance à la clientèle.
- Lorsque vous utilisez un cordon de rallonge, n'utilisez qu'un cordon prévu pour emploi à l'extérieur et en bon état. Ne laissez pas la connexion entrer en contact avec des liquides.

Mettez l'appareil sous tension en appuyant sur l'interrupteur pour le faire passer de la position « 0 » à la position « I ». Les deux symboles internationaux qui figurent sur l'interrupteur indiquent, respectivement, la position de marche et la position d'arrêt de votre aspirateur.



Familiarícese con los accesorios que se incluyen con la aspiradora. Cada accesorio puede usarse de diversas maneras para aspirar y soplar residuos. A continuación hay una lista de los accesorios y de sus usos

Ensamblaje de la manguera - brinda transferencia de la capacidad de aspiración al sitio de construcción. Proporciona el medio para conectar los tubos extensores y las herramientas de mano.

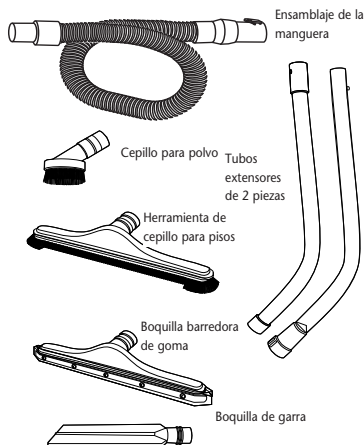
Cepillo para polvo - se utiliza para realizar limpieza detallada en espacios pequeños.

Herramienta de cepillo para pisos - utilícela para limpiezas de áreas secas grandes en superficies lisas.

Boquilla barredora de goma - utilícela para limpiezas en áreas mojadas grandes en superficies lisas.

Boquilla de garrá - utiliza para aspirar muebles, tela y tapicería.

Tubos extensores de 2 piezas - utilícelos para conectar la manguera a herramientas para pisos mojados o secos.



# UTILIZACIÓN (Suite)

## Nettoyage du filtre à poussière

1. Retirez le filtre de l'aspirateur. Tapotez doucement le filtre contre la paroi intérieure du réservoir à poussière. Les débris se détacheront et tomberont.
2. Pour effectuer un nettoyage complet d'un filtre bouché par des poussières fines (pas de débris de surface), faites couler de l'eau le long de l'extérieur du plissé du filtre et assurez-vous que la pression de l'eau n'est pas excessive afin de ne pas endommager le filtre.

REMARQUE : après avoir terminé le nettoyage, inspectez le filtre pour vous assurer qu'il n'y a pas de déchirures ou de petits trous dedans. Il suffirait d'un petit trou pour causer l'éjection d'une grande quantité de poussière à l'extérieur de l'aspirateur. En cas d'endommagement, remplacez le filtre immédiatement.

## Aspiration de liquides

REMARQUE : lorsque vous aspirez de très faibles volumes d'eau, il est possible de laisser le filtre pour poussières fines en place. Cependant, il FAUT retirer le sac filtrant Intercept Micro. Même un tout petit peu d'humidité risquerait d'endommager ce sac et pourrait causer sa rupture.

1. Lorsque vous devez aspirer de grands volumes de liquide, il faut retirer le filtre pour poussières fines et installer un filtre à tamis humide (107177). Si le filtre pour poussières fines n'est pas enlevé, de l'eau risquerait de pénétrer à l'intérieur du carter du moteur, ce qui pourrait causer une surchauffe et endommager ce dernier. Si le filtre à tamis humide n'est pas installé, de petits débris ou de l'eau savonneuse pourrait aussi entrer dans le carter du moteur et endommager le moteur.
2. Le mécanisme de flotteur s'active pour empêcher l'eau de pénétrer à l'intérieur du carter du moteur. Lorsque le liquide à l'intérieur du réservoir atteint un niveau prédéterminé, le mécanisme de flotteur montera automatiquement pour couper la circulation de l'air. Lorsque cela se produira, éteignez l'aspirateur, débranchez le cordon d'alimentation et videz le réservoir. Vous saurez que le flotteur a monté parce que la circulation d'air dans l'aspirateur aura cessé et le bruit du moteur deviendra beaucoup plus aigu en raison de l'accélération de la vitesse du moteur.

IMPORTANTES : pour réduire le risque d'endommager l'aspirateur, il ne faut pas faire fonctionner le moteur pendant que le flotteur est en position élevée.

3. Après avoir terminé l'aspiration, suivez les instructions de maintenance du filtre qui figurent à la page 56 pour réduire le risque de formation de mildiou et d'endommagement du filtre.

## Vidage du tambour

**⚠ AVERTISSEMENT :** pour réduire le risque de blessure en raison d'une mise en marche accidentelle, débrancher le cordon électrique avant de vider le tambour.

**⚠ AVERTISSEMENT :** pour réduire le risque de chute ou de blessure au dos il ne faut pas soulever un aspirateur plein de liquide ou de débris. Ramasser ou drainer suffisamment du contenu hors de l'aspirateur afin de rendre l'aspirateur assez léger pour le soulever confortablement.

1. Cet aspirateur est équipé d'un drain permettant d'évacuer facilement les liquides. Il suffit de dévisser le capuchon du drain et de soulever le côté opposé de l'aspirateur pour l'incliner légèrement afin de vider le tambour.
2. Une autre option possible consiste à retirer l'ensemble d'élément moteur.
3. Posez l'ensemble d'élément moteur sur le côté sur une surface propre tout en vidant le tambour.
4. Jetez le contenu du tambour dans une poubelle appropriée.

## Transport de l'aspirateur de liquides et de poussières

Si vous avez besoin de soulever l'aspirateur pour le déplacer, vous pouvez utiliser les poignées situées sur les côtés du tambour à poussière qui ont été conçues à cet effet. Il faut utiliser la poignée de traction située au-dessus de l'orifice d'entrée, ou la poignée métallique du chariot à accessoires, pour manœuvrer l'aspirateur.

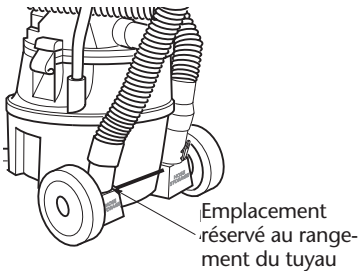


# ACCESSORIES

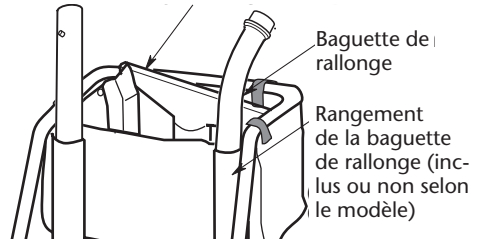
Vous pouvez ranger vos accessoires dans le fourre-tout amovible, ou dans les deux compartiments du chariot (droit ou gauche). Vous pouvez ranger le tuyau en l'enroulant autour de l'appareil et en plaçant chaque extrémité dans l'un des deux emplacements réservés au rangement du tuyau et identifiés par les mots « Hose Storage ».

REMARQUE : insérez l'extrémité mâle de la baguette de rallonge dans le manchon de support (inclus ou non selon le modèle) tel que cela est illustré.

Vous pouvez ranger le tuyau en l'enroulant autour de l'appareil et en plaçant son extrémité libre dans l'un des deux emplacements réservés au rangement sur l'ensemble de chariot.

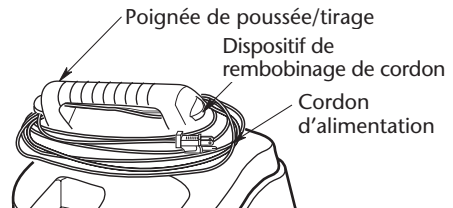


Compartiment de rangement des accessoires



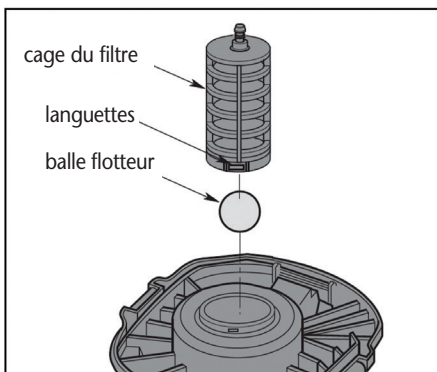
## Enroulement du cordon

Après avoir passé l'aspirateur, débranchez le cordon et enroulez-le autour de l'élément moteur, tel que cela est illustré. Le cordon doit s'enrouler sous la poignée de tirage (au dessus de la rainure), et autour et en dessous du dispositif de rembobinage de cordon situé sur le capot du moteur.



# MAINTENANCE PRÉVENTIVE

## Nettoyage de la cage de filtre et du mécanisme de flotteur



1. Retirez le filtre de la cage de filtre.
2. Appuyez sur la languette de retrait (vers l'intérieur) et faites pivoter la cage de filtre vers l'extérieur.
3. Nettoyez tous les débris de la cage et du mécanisme de flotteur.
4. Placez le flotteur au-dessus de l'ouverture au centre du couvercle, au-dessus du trou.
5. Alignez les languettes de la cage de filtre avec les fentes de l'anneau central du couvercle.
6. Appuyez sur la cage de filtre jusqu'à ce que les languettes entrent dans les fentes (en faisant un déclic) pour que l'ensemble soit fermement en place (Reportez-vous à page 52).

---

---

# MAINTENANCE PRÉVENTIVE (Suite)

---

---

## Nettoyage du filtre

### À poussière

REMARQUE : nettoyez le filtre à l'air libre. Le nettoyage doit être effectué à l'extérieur.

1. Retirez le filtre de l'aspirateur. Tapotez doucement le filtre contre la paroi intérieure du réservoir à poussière. Les débris se détacheront et tomberont.
2. Pour effectuer un nettoyage complet d'un filtre bouché par des poussières fines (pas de débris de surface), faites couler de l'eau le long de l'extérieur du plissé du filtre et assurez-vous que la pression de l'eau n'est pas excessive afin de ne pas endommager le filtre.

IMPORTANTES : après avoir terminé le nettoyage, inspectez le filtre pour vous assurer qu'il n'y a pas de déchirures ou de petits trous dedans. Il suffirait d'un petit trou pour causer l'éjection d'une grande quantité de poussière à l'extérieur de l'aspirateur. En cas d'endommagement, remplacez le filtre immédiatement.

## Nettoyage du filtre Humide

Pour obtenir les meilleurs résultats possibles lors du nettoyage, nettoyez le filtre à tamis dans un évier ou sous un robinet.

1. Retirez le filtre de l'aspirateur. Tapotez doucement le filtre contre la paroi intérieure du réservoir à poussière pour détacher les débris adhérant à la surface.

2. Pour effectuer un nettoyage complet du filtre humide, faites couler de l'eau à travers depuis l'intérieur vers l'extérieur. Ce faisant, passez la main ou une brosse douce sur la surface afin d'en retirer les débris qui adhèrent.
3. Si votre filtre est recouvert ou obstrué par de la cire, rincez le filtre avec un produit chimique de décapage de plancher dilué. L'emploi d'eau tiède et d'une brosse douce devrait permettre de prolonger la durée de vie du filtre. Rincez le filtre à nouveau avec de l'eau tiède pour éliminer tous les produits chimiques qui pourraient y adhérer.

IMPORTANTES : si les surfaces d'étanchéité ou le tamis ont été endommagés, ou si le filtre est tellement obstrué qu'il en est irréparable, remplacez immédiatement le filtre humide.

IMPORTANTES : le filtre à tamis humide incorpore de multiples couches de mèches fines et grossières conçues spécialement pour protéger le moteur de l'aspirateur. Ce filtre a été construit de façon à pouvoir désintégrer les émulsions de l'eau savonneuse et capturer les produits de décapage de sol et la plupart des autres débris qui peuvent rester sur le sol après un nettoyage humide. L'emploi de ce filtre ne remplace PAS le besoin d'un nettoyage préalable du plancher avant d'effectuer le décapage.

---

---

# MAINTENANCE PRÉVENTIVE (Suite)

---

---

## Nettoyage et désinfection de l'aspirateur de liquides et de poussières

Pour conserver l'esthétique optimale de votre aspirateur de poussières et de liquides, nettoyez la surface extérieure de l'aspirateur à l'aide d'un chiffon imbibé d'eau tiède savonneuse.

Procédure de nettoyage du tambour :

1. Vider les débris.
2. Nettoyez soigneusement le tambour à poussière à l'aide d'un savon doux et d'eau tiède.
3. Essuyer avec un chiffon sec.

Avant de ranger l'aspirateur pour une période prolongée, ou dans les cas nécessaires (par exemple après l'aspiration d'eaux usées), vous devez désinfecter le tambour.

Pour désinfecter le tambour :

1. Versez un gallon (presque 4 litres) d'eau et une cuillerée à thé de produit à blanchir à l'eau de javel dans le tambour.
2. Laissez la solution agir pendant 20 minutes, en remuant doucement de temps à autre pour vous assurer que toutes les surfaces du tambour restent humides.
3. Videz le tambour au bout de 20 minutes. Rincez à l'eau jusqu'à ce que l'odeur d'eau de javel ait disparu. Laissez sécher le tambour complètement avant de sceller le moteur sur le tambour.

**⚠ AVERTISSEMENT** : pour assurer la SÉCURITÉ et la FIABILITÉ du produit, les réparations et réglages doivent être effectués par des centres agréés de service après-vente en utilisant toujours des pièces de rechange ProTeam.

## Entretien du cordon d'alimentation

Une fois votre travail d'aspiration terminé, débranchez le cordon d'alimentation et enroulez-le autour du couvercle du moteur. Si le cordon est endommagé, il doit être remplacé par le fabricant ou son représentant, ou par une autre personne ayant les compétences techniques nécessaires, afin de réduire le risque d'accident.

## Rangement

Avant de ranger votre aspirateur, vous devez vider et nettoyer le tambour à poussières. Vous devez également enrouler le cordon d'alimentation autour de l'appareil et ranger le tuyau tel que cela décrit dans le présent mode d'emploi. Vous devez garder les accessoires au même endroit que l'aspirateur de façon à pouvoir y accéder facilement. Vous devez ranger l'aspirateur à l'intérieur d'un bâtiment.

## Roulettes et roues

Si le chariot commence à grincer ou s'il devient difficile de le faire rouler, appliquer deux ou trois gouttes d'huile universelle sur chaque roue au niveau de l'essieu. Si les roulettes font du bruit, appliquer une goutte d'huile sur l'arbre pour les rendre silencieuses.

## Cadre et poignées

La poignée en métal est peinte pour la protéger contre la rouille. Toutefois, il faut en retirer les liquides et les débris corrosifs en contact avec la poignée avec un chiffon non abrasif.

# PROGUARD 16 MD PIÈCES DE RECHANGE

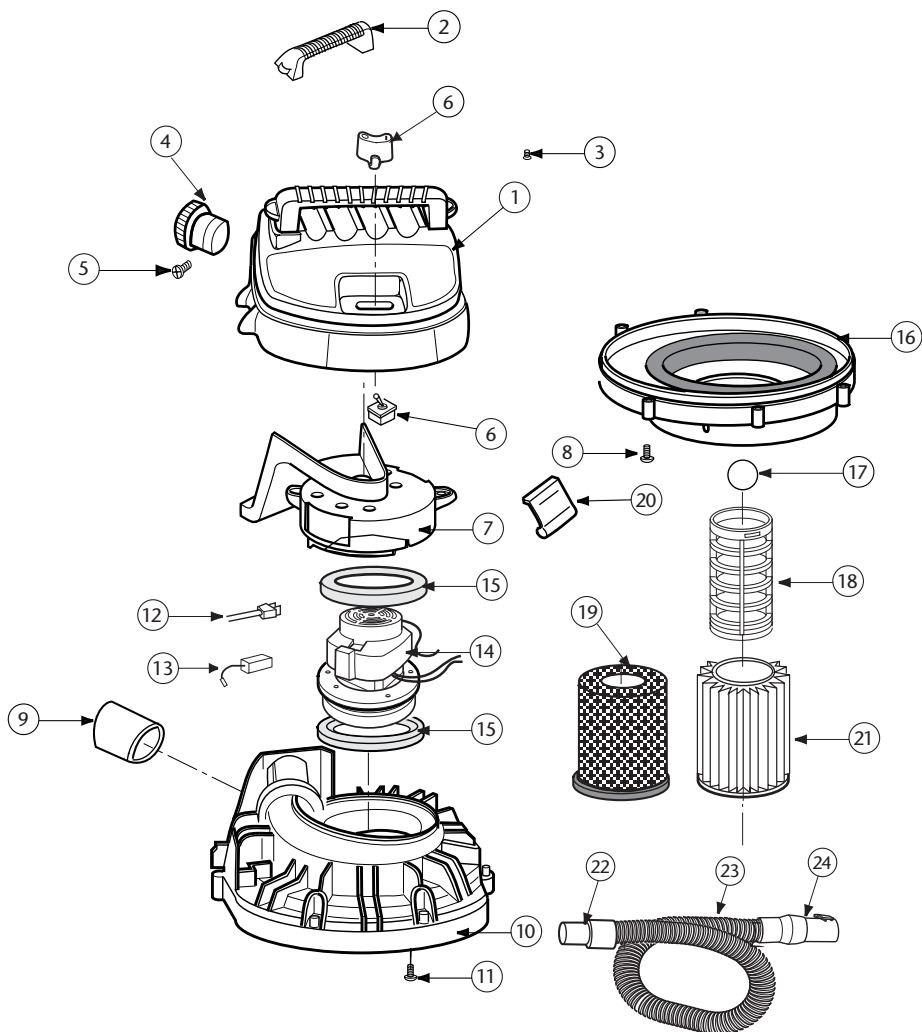
## ProGuard 16 MD

ORDRE#

QUANTITÉ

1	510286	Ensemble de carter du moteur	1 chaque
2	830565-2	Poignée du carter du moteur	1 chaque
3	820563-4	Vis, type ab n° 10 x 3/4 po	1 chaque
4	833600	Ensemble de diffuseur	1 chaque
5	820563-4	Vis, type ab n° 10 x 3/4 po	1 chaque
6	510127	Interrupteur et couvercle d'interrupteur (jeu)	1 chaque
7	831651	Ensemble de conduit d'échappement du moteur	1 chaque
8	820563-4	Vis, 10-32 x 3/4 po	1 chaque
9	830609	Patin en mousse, échappement	1 chaque
10	831653-1	Couvercle	1 chaque
11	826453-2	Vis, type ab n° 10 x 3/4 po	1 chaque
12	831657-1	Ensemble de cordon d'alimentation (11,5 po, 16/3)	1 chaque
13	822374-8	Ensemble de balais de moteur	1 jeu
14	831567	Ensemble de moteur, complet	1 chaque
15	827415	Joint d'étanchéité du moteur	1 chaque
16	831659	Ensemble de collecteur	1 chaque
17	833778	Flotteur sphérique	1 chaque
18	830101-1	Cage de filtre	1chaque
19	107177	Filtre pour applications humides	1 chaque
20	826387	Verrou de tambour	1 chaque
21	107175	Filtre à cartouche qwik lock® pour poussières fines	1 chaque
22	831577	Manchon pivotant pour tuyau flexible, 1-1/2 po	1 chaque
23	831337-6	Ensemble de tuyau flexible	1 chaque
24	829900	Adaptateur de bague de verrouillage	1 chaque

# PROGUARD 16 MD ASSEMBLÉE



---

---

# PROGUARD 16 MD PIÈCES DE RECHANGE

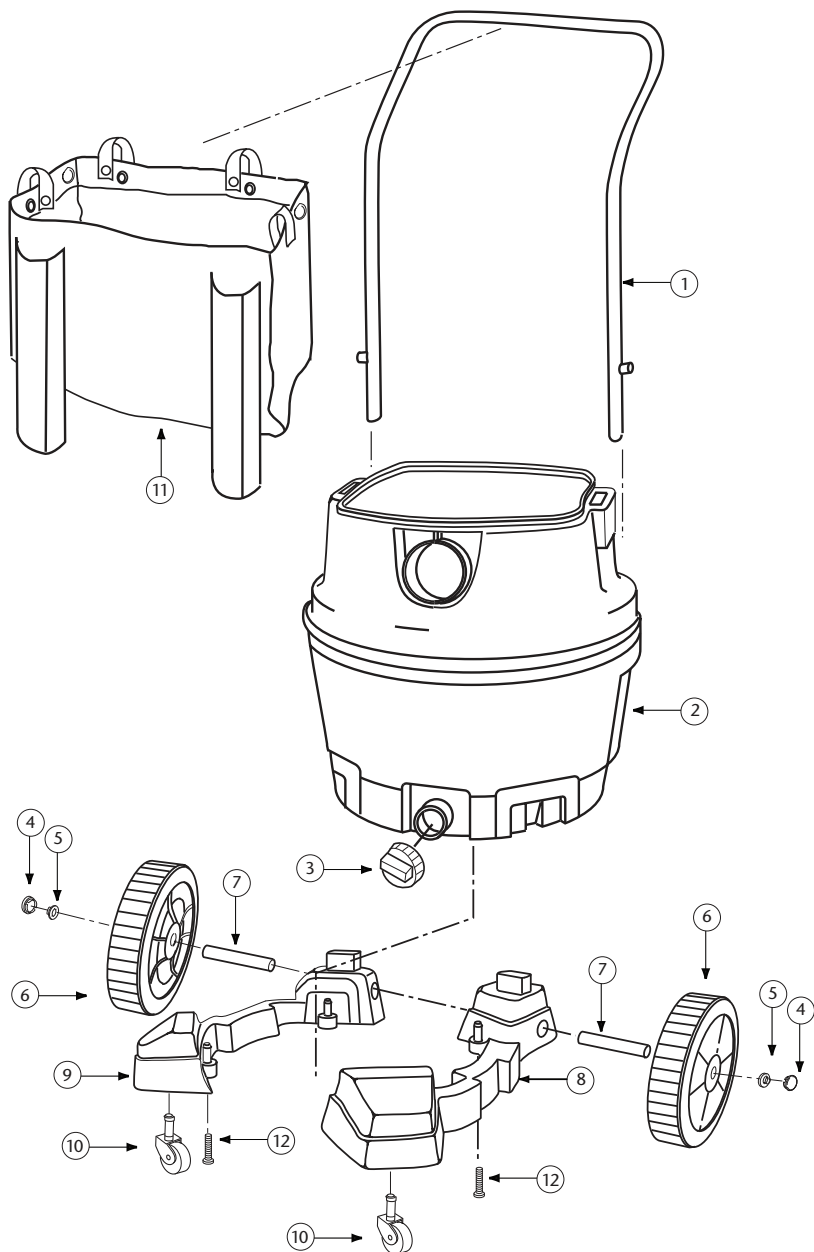
---

---

## ProGuard 16 MD

ORDRE#		QUANTITÉ
1	830686 Poignée	1 chaque
2	831660-2 Ensemble de tambour à poussière	1 chaque
3	73185 Capuchon de drain	1 chaque
4	830611 Chapeau de roue	1 chaque
5	813836-1 Écrou borgne de 1/2 po	1 chaque
6	832190 Ensemble de roue de 8 po (comprend les légendes n° 4 et 5)	1 chaque
7	831024 Arbre	1 chaque
8	830576 Chariot, côté droit	1 chaque
9	830577 Chariot, côté gauche	1 chaque
10	832123 Roulette	1 chaque
11	831668-1 Fourre-tout	1 chaque
12	820563-5 Vis de type « AB », n° 10 x 1-3/4 po	1 chaque
	509944 Sachet de pièces détachées (n'est pas illustré) (comprend les légendes n° 4, 5, 10 et 12)	1 trousse

# PROGUARD 16 MD ASSEMBLÉE



---

---

# LIMITED WARRANTY

---

---

Cette garantie limitée s'applique aux aspirateurs de liquides et de poussières commerciaux PROGUARD de ProTeam, Inc. suivants : ProGuard 16 MD Si vous avez des questions ou si vous avez besoin d'assistance en liaison avec la garantie de votre produit, veuillez téléphoner au département de service à la clientèle de ProTeam au (866) 888-2168, de 7 h 30 à 17 h 00, Heure normale des Rocheuses.

## ProGuard - Garantie limitée

ProTeam, Inc., établie au 8100 W. Florissant Avenue, Building T, St. Louis, MO 63136 (« ProTeam ») garantit à l'acheteur d'origine (« vous »), sous réserve des exclusions décrites ci-dessous, que les composants et moteurs de produits ProGuard mentionnés ci-dessous ne comporteront pas de défauts de matériau ou de fabrication à partir de la date de l'achat initial et ensuite pendant toute la période indiquée ci-dessous (chacune étant une « Période de garantie »). Cette garantie limitée cessera de produire des effets si l'acheteur d'origine transfère le produit ProGuard à une autre personne physique ou morale.

Garanties des pièces - Tous les produits ProGuard

- Pièces moulées recouvrant tous les produits ProGuard - Durée de vie attendue du produit ProGuard.
- Tous les autres composants (à l'exclusion du moteur) de tous les produits ProGuard - 3 ans.

## Garanties des moteurs - Différentes en fonction de chaque produit ProGuard

- ProGuard 16 MD - 3 ans ou 1 400 heures, le premier des deux prévalant.
- \* Des conditions peuvent s'appliquer à la couverture de garantie du moteur ci-dessus. Voir ci-dessous la rubrique consacrée aux conditions de garantie du moteur.

Conditions de garantie du moteur - ProGuard 16 MD..

- La garantie ne s'appliquera que si vous respectez le calendrier suivant pour le remplacement des balais de charbon et les autres opérations de maintenance. Une preuve de conformité à ce calendrier pourra être demandée.

1<sup>er</sup> changement - au bout de 400 heures

2<sup>e</sup> changement - au bout de 800 heures

3<sup>e</sup> changement - au bout de 1 100 heures

## Ce qui n'est pas couvert - Exclusions de la garantie

Cette garantie limitée ne couvre pas et exclut expressément :

- L'usure normale et/ou les accessoires ou compléments de rechange, y compris, sans limitation, les cordons de rallonge, les tuyaux flexibles, les filtres, les interrupteurs, les balais de charbon des moteurs et d'autres accessoires du produit ProGuard.
- L'endommagement ou l'usure du moteur du produit ProGuard résultant de l'impossibilité d'éliminer un blocage qui s'est produit dans le cadre normal d'utilisation du produit.
- La perte ou l'endommagement du produit ProGuard résultant de conditions au-delà du contrôle de ProTeam, y compris, sans limitation, un emploi non conforme aux spécifications, un accident, une utilisation abusive, un incident causé par de l'inattention, de la négligence (sauf si ProTeam en est responsable), une utilisation excessive au-delà de la capacité nominale, ou une modification ou altération non autorisée.
- La perte ou l'endommagement du produit ProGuard résultant du non-respect du calendrier de maintenance obligatoire, ou de l'utilisation du produit ProGuard d'une façon non conforme aux instructions ou directives écrites de ProTeam, ou aux stipulations écrites du mode d'emploi.

## Ce que nous ferons pour remédier aux problèmes

Si une réclamation soumise pendant la Période de garantie est couverte en vertu de la présente garantie limitée, ProTeam ou votre concessionnaire local autorisé de ProTeam, au choix exclusif de ProTeam, (a) réparera la partie défectueuse du produit ProGuard ou (b) remplacera tout le produit ProGuard. LE REMÈDE UNIQUE ET EXCLUSIF POUR TOUTE RUPTURE DE LA PRÉSENTE GARANTIE LIMITÉE SERA LIMITÉ À LA RÉPARATION OU AU REMPLACEMENT DU PRODUIT PROGUARD.

Aucune autre garantie expresse ne s'applique

LES GARANTIES LIMITÉES INDIQUÉES PLUS HAUT SONT LES GARANTIES UNIQUES ET EXCLUSIVES OFFERTES PAR PROTEAM À L'ACHETEUR D'ORIGINE, ET ELLES SE SUBSTITUENT À TOUTES LES AUTRES GARANTIES, ÉCRITES OU ORALES, EXPLICITES OU IMPLICITES, DE PLEIN DROIT OU D'ORIGINE



---

---

# LIMITED WARRANTY

---

---

CONTRACTUELLE, Y COMPRIS, SANS LIMITATION, LES GARANTIES DE QUALITÉ MARCHANDE OU D'ADÉQUATION À UN BUT PARTICULIER, QUE CE BUT AIT ÉTÉ DIVULGUÉ OU NON, ET QUE LE PRODUIT PROGUARD AIT ÉTÉ CONÇU OU FABRIQUÉ SPÉCIALEMENT OU NON POUR VOTRE BUT OU POUR VOTRE UTILISATION PARTICULIÈRE. Aucun employé, agent, revendeur ou autre personne n'est autorisé à altérer la présente garantie limitée ou à offrir une autre garantie pour le compte de ProTeam. Les termes de la présente garantie limitée ne seront pas modifiés par ProTeam, le propriétaire d'origine ou leurs ayants droit ou cessionnaires respectifs.

## Comment nous notifier

Si vous découvrez que votre produit ProGuard a un défaut qui, selon vous, est couvert par la présente garantie limitée, vous devez notifier ProTeam ou le concessionnaire autorisé de ProTeam qui vous a vendu le produit ProGuard avant la fin de la Période de garantie applicable. Vous pouvez contacter le département de service à la clientèle de ProTeam en téléphonant au (866) 888-2168 entre 7 h 30 et 17 h 00, Heure normale des Rocheuses, ou à tout moment par télécopie ou par courriel en utilisant le numéro de télécopie et l'adresse courriel figurant dans votre mode d'emploi ou sur notre site Web. Pour qu'une réclamation en vertu de la garantie soit traitée aussi rapidement que possible, nous vous suggérons de remplir la carte d'enregistrement (« Registration Card ») mise à votre disposition sur le site Web de ProTeam à [www.pro-team.com](http://www.pro-team.com). Si vous ne voulez pas faire enregistrer votre produit ProGuard, pour pouvoir faire valoir la garantie, vous devrez envoyer une copie de votre reçu ou de tout autre justificatif d'achat montrant la date de l'achat à ProTeam ou à votre concessionnaire local autorisé de ProTeam.

## Procédures de réparation et de remplacement

Veuillez téléphoner au département de service à la clientèle au numéro susmentionné ou visiter le site Web de ProTeam pour localiser le concessionnaire autorisé de ProTeam le plus proche de l'endroit où vous résidez. S'il n'y a pas de concessionnaire autorisé de ProTeam près de chez vous, notre département de service à la clientèle vous donnera le nom et l'adresse du réparateur-représentant des services techniques le plus proche ou il vous donnera des instructions pour que vous puissiez expédier votre produit ProGuard au centre de réparations de ProTeam. ProTeam ou votre concessionnaire local autorisé de ProTeam déterminera si l'objet de votre réclamation est couvert par la présente garantie limitée, sous réserve des limitations ou exclusions décrites dans la présente garantie limitée, ou si vous êtes au-delà de la Période de garantie applicable. Votre concessionnaire local autorisé de ProTeam réparera votre produit ProGuard, expédiera votre produit ProGuard au centre de réparations du concessionnaire ou de ProTeam, ou contactera ProGuard pour obtenir un produit de remplacement ProGuard. La décision de remplacer votre produit ProGuard est à la discrétion exclusive de ProTeam. Des réparations ou modifications apportées au produit ProGuard par quiconque autre que ProTeam, son centre de réparations autorisé ou un concessionnaire local autorisé rendront la présente garantie limitée nulle et non avenue. La couverture en vertu de la présente garantie limitée ne s'appliquera que si l'acheteur d'origine se conforme à tout moment à ces procédures de notification et de réparation obligatoires.

## Limitation de responsabilité

DANS LA MESURE AUTORISÉE PAR LA LOI, PROTEAM NE SERA EN AUCUN CAS RESPONSABLE DE QUELCONQUES PRÉJUDICES ACCESSOIRES, SPÉCIAUX, INDIRECTS OU SECONDAIRES, Y COMPRIS TOUTE PERTE ÉCONOMIQUE, QUE CE SOIT POUR CAUSE DE NON-FONCTIONNEMENT, D'UTILISATION CORRECTE OU INCORRECTE, D'INCAPACITÉ D'EMPLOI DU PRODUIT PROGUARD OU DE NÉGLIGENCE DE LA PART DE PROTEAM. LE VENDEUR N'ASSUMERA AUCUNE RESPONSABILITÉ POUR LES DOMMAGES CAUSÉS PAR UN RETARD DANS LA PERFORMANCE, ET QUELLE QUE SOIT LA FORME DE LA RÉCLAMATION OU LA CAUSE DE L'ACTION (QU'ELLE SOIT BASÉE SUR UN CONTRAT, SUR UNE VIOLATION DE DROITS DE TIERS, SUR DE LA NÉGLIGENCE, SUR LE PRINCIPE DE LA RESPONSABILITÉ SANS FAUTE, SUR UN QUASI-DÉLIT OU AUTREMENT), LA RESPONSABILITÉ ENCOURUE PAR PROTEAM ENVERS L'ACHETEUR ET/OU SES CLIENTS NE SAURAIT EN AUCUN CAS DÉPASSER LE PRIX PAYÉ PAR LE PROPRIÉTAIRE D'ORIGINE POUR LE PRODUIT PROGUARD. L'expression « préjudices secondaires » inclura, mais de façon non limitative, la perte de bénéfices anticipés, l'interruption de l'activité commerciale, la perte d'emploi ou de revenus, le coût du capital ou la perte ou l'endommagement de biens ou d'équipements.

Étant donné que certaines provinces n'autorisent pas l'exclusion ou la limitation des dommages accessoires ou secondaires, il est possible que la limitation qui précède ne s'applique pas à vous.

La présente garantie limitée vous confère des droits spécifiques, et vous avez peut-être aussi d'autres droits, qui varient selon la province dans laquelle vous résidez.





ProTeam, Inc.  
customerservice.proteam@emerson.com  
8100 W. Florissant Avenue, Building T  
St. Louis, MO 63136  
866.888.2168