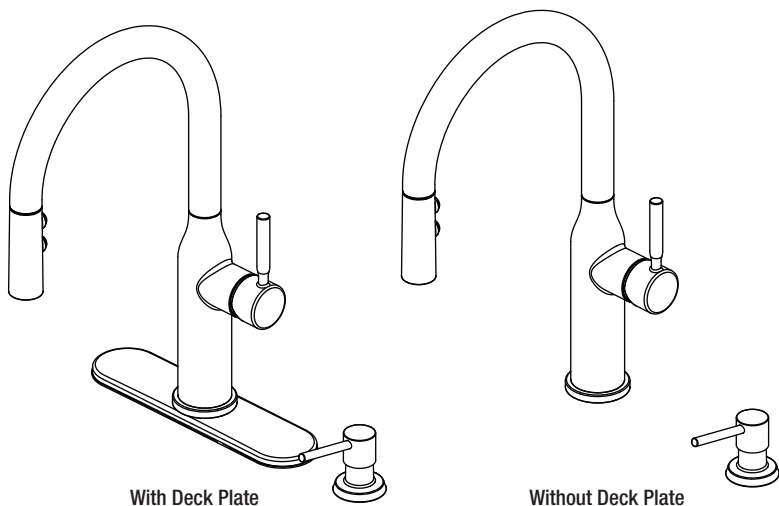


# INSTALLATION AND CARE GUIDE

---

## UPSON SINGLE-HANDLE TOUCHLESS PULL-DOWN KITCHEN FAUCET



### Questions, problems, missing parts?

Before returning to the store, call Glacier Bay Customer Service  
8 a.m. - 7 p.m., EST, Monday - Friday  
9 a.m. - 6 p.m., EST, Saturday

1-855-HD-GLACIER (1-855-434-5224)

[HOMEDEPOT.COM](http://HOMEDEPOT.COM)

---

### THANK YOU

*We appreciate the trust and confidence you have placed in Glacier Bay through the purchase of this kitchen faucet. We strive to continually create quality products designed to enhance your home. Visit us online to see our full line of products available for your home improvement needs. Thank you for choosing Glacier Bay!*

# Table of Contents

<b>Important Information</b> .....	2	<b>Installation</b> .....	4
<b>Warranty</b> .....	2	<b>Operation</b> .....	12
<b>Pre-Installation</b> .....	2	<b>Care and Cleaning</b> .....	13
Planning Installation .....	2	<b>Troubleshooting</b> .....	14
Tools and Hardware Required .....	2	<b>Service Parts</b> .....	16
Package Contents .....	3		

## Important Information

- Observe all local plumbing and building codes.
- Cover the sink drain to avoid losing any parts.
- Review the care and cleaning section included in this guide.

## Warranty

### LIMITED LIFETIME WARRANTY

Glacier Bay products are manufactured with superior quality standards and workmanship and are backed by our limited lifetime warranty. Glacier Bay products are warranted to the original consumer purchaser to be free of defects in materials or workmanship. We will replace FREE OF CHARGE any product or parts that proves defective. Sensor mechanism excluded from Limited Lifetime Warranty and is covered by a 3-year warranty from date of purchase. Simply, return the product / part to any of The Home Depot retail locations or call 1-855-HD-GLACIER (1-855-434-5224) to receive the replacement item. Proof of purchase (original sales receipt) from the original consumer purchaser must be made available for all Glacier Bay warranty claims.

This warranty excludes incidental/inconsequential damages and failures due to misuse, abuse or normal wear and tear. This warranty excludes all industrial, commercial and business usage, whose purchasers are hereby extended a five year limited warranty from the date of purchase, with all other terms of this warranty applying except the duration of warranty.

Some states and provinces do not allow the exclusion or limitation of incidental or consequential damages, so the above limitations may not apply to you. This warranty gives you specific legal rights and you may also have other rights that vary from state to state and province to province. Please see a store or contact 1-855-HD-GLACIER for more details.

Contact the Customer Service Team at 1-855-434-5224 or visit [www.HomeDepot.com](http://www.HomeDepot.com).

## Pre-Installation

### PLANNING INSTALLATION

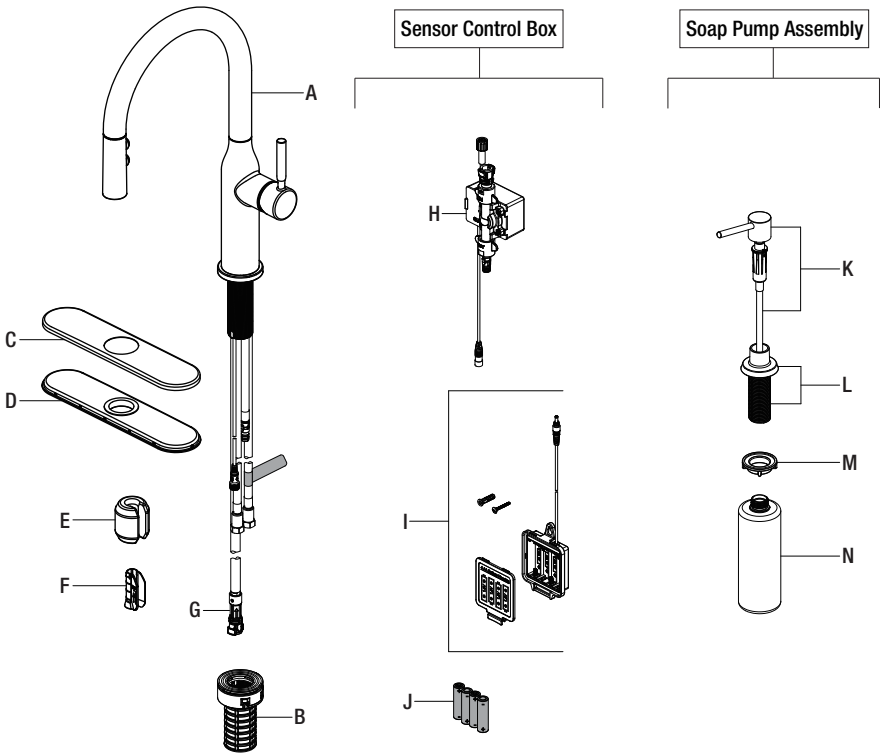
Before beginning the installation of this product, ensure all parts are present. Compare parts with the Package Contents list. If any part is missing or damaged, do not attempt to install the product. Contact Customer Service for replacement parts.

### TOOLS AND HARDWARE REQUIRED



# Pre-Installation (continued)

## PACKAGE CONTENTS



Part	Description	Quantity
A	Faucet body	1
B	FastMount™	1
C	Escutcheon	1
D	Gasket	1
E	Weight	1
F	Weight clip	1
G	Quick connect assembly	1

Part	Description	Quantity
H	Sensor control box	1
I	Battery pack	1
J	"AA" Battery	4
K	Soap pump	1
L	Soap assembly	1
M	Soap dispenser mounting nut	1
N	Soap bottle	1

# Installation

## 1 Preparing for installation



**CAUTION:** Always shut off the water supply before removing an existing faucet or replacing any part of a faucet. Open the faucet handle to relieve water pressure and ensure that the water is completely shut off.

- Shut off the water supply. Remove the old faucet. Clean the mounting surface.
- Before installation, remove the quick connector (G) from the free end of the hose by unscrewing it in a counterclockwise direction.



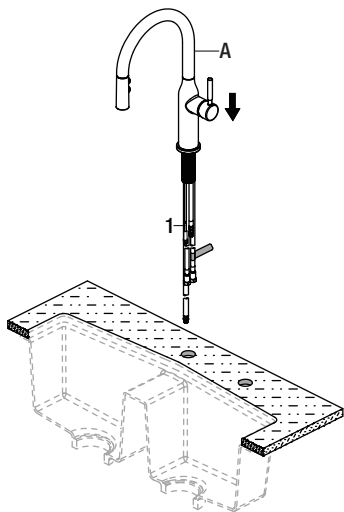
## 2 Installing the faucet assembly

### 2a



**NOTE:** This step is for no escutcheon installation (optional).

- Install the faucet body (A)-including supply hoses and sensor cable (1)-through the hole in the sink.

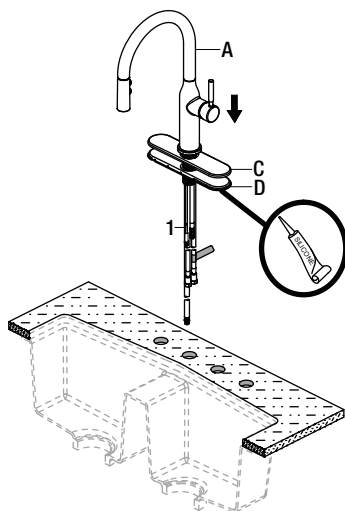


### 2b



**NOTE:** This step is for escutcheon installation (optional). A silicone is required under the gasket (D).

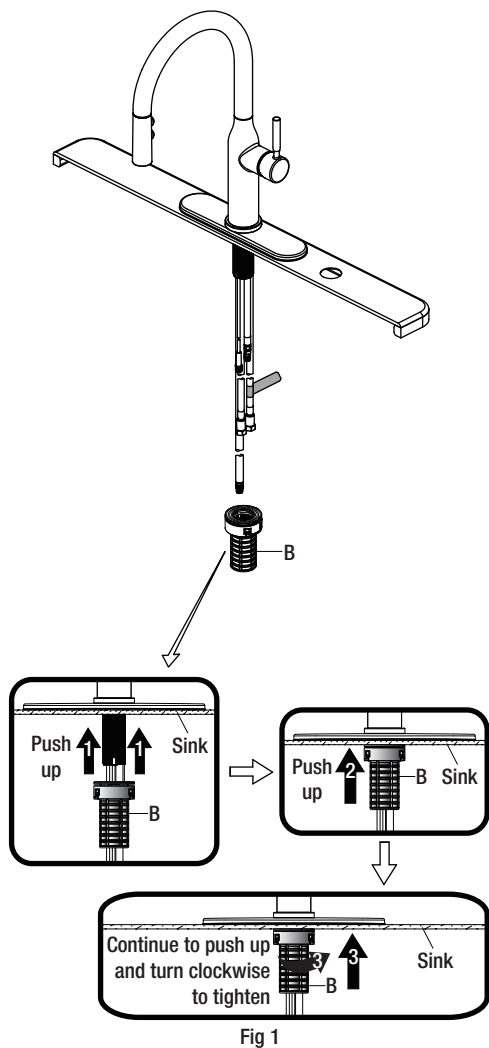
- Place the escutcheon (C) and gasket (D) on the holes in the sink.
- Install the faucet body (A)-including supply hoses and sensor cable (1)-through the hole in the escutcheon (C).





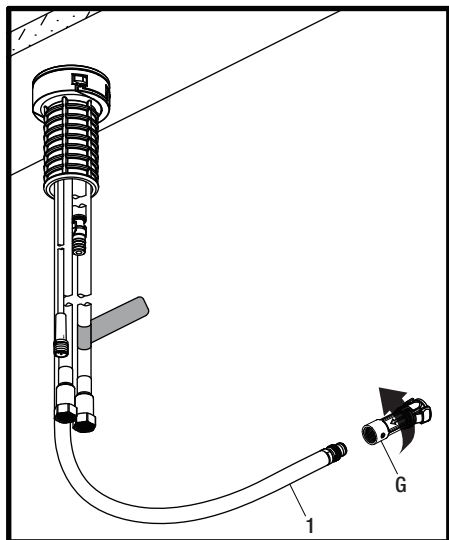
### 3 Securing the faucet assembly

- From underneath the sink, secure the faucet assembly to the sink with the FastMount™ system (B). Push the FastMount™ system (B) up over the threads until it stops against the bottom of the sink, then hand turn (clockwise) to tighten (Fig 1).



### 4 Attaching the quick connector to the hose

- Pull out the hose (1) from the threaded mounting shank.
- Attach the quick connector (G) by screwing it onto the threaded end of the hose (1) in a clockwise motion. Hand tighten only.



## 5 Installing the sensor cable

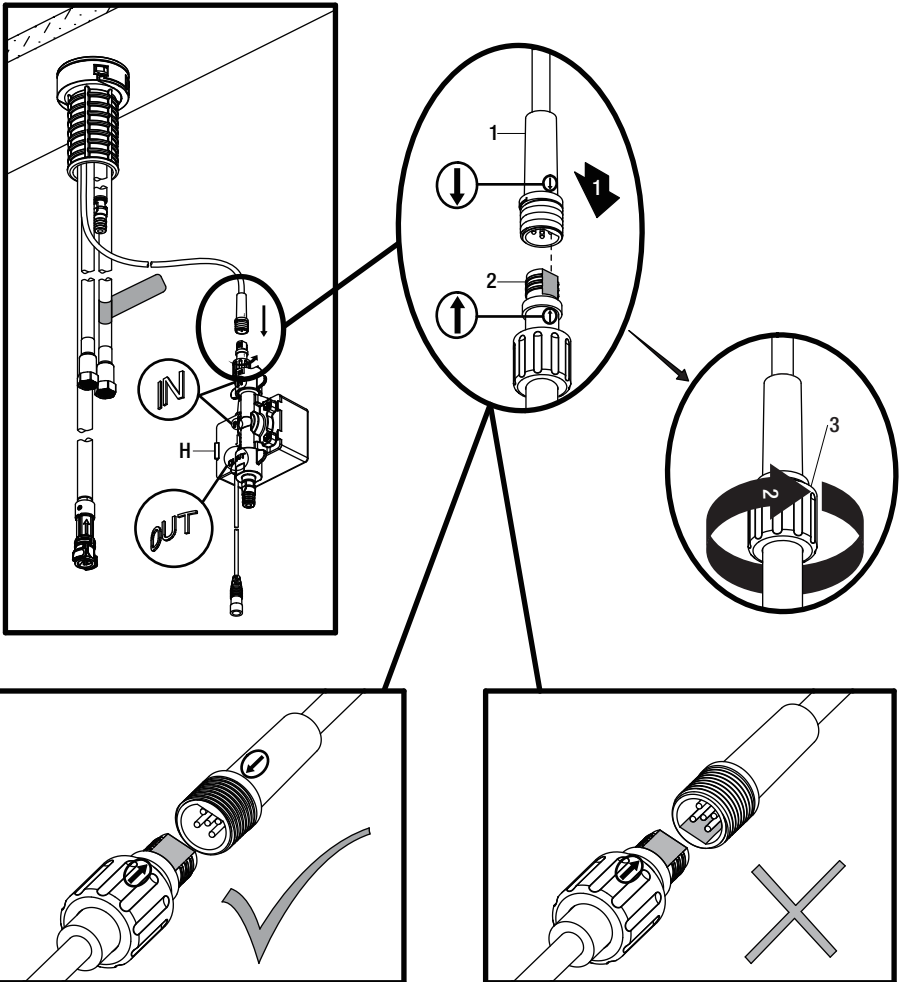


**NOTE:** The side of the control box (H) with "in" and "out" showing must face the front of the cabinet (away from the back of the cabinet).

- Install the data cable (1) to the control box connection (2). Ensure the arrows on the data cable and control box connection are aligned to one another to ensure proper installation. Ensure they are tightly connected by firmly pushing together.
- Secure the connection by hand tightening the nut (3) in a clockwise direction onto the threaded sensor cable.



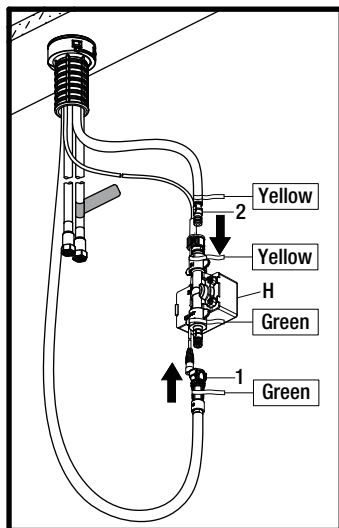
**CAUTION:** If the connections are not made properly, the sensor feature will not work.



## 6 Attaching the quick connector to the receiving block

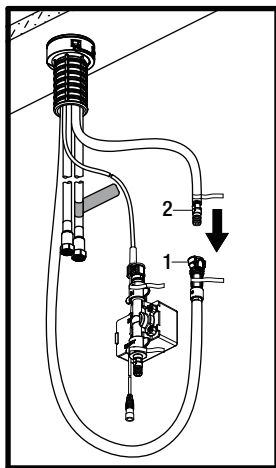
- Connect the hose with the yellow tag to the hose on the control box (H) with a matching yellow tag. Push firmly together until they snap into place. As shown in the Fig 1.
- Connect the hose with the green tag to the hose on the control box (H) with a matching green tag. Push firmly together until they snap into place. As shown in the Fig 1.

Fig 1



- **OPTIONAL:** If you want to use the faucet without the sensor feature or without power, you can attach the quick connector (1) to the receiving block (2). This bypasses the sensor feature and enables the faucet to work by operating the handle. As shown in the Fig 2.

Fig 2



## 7 Installing the batteries

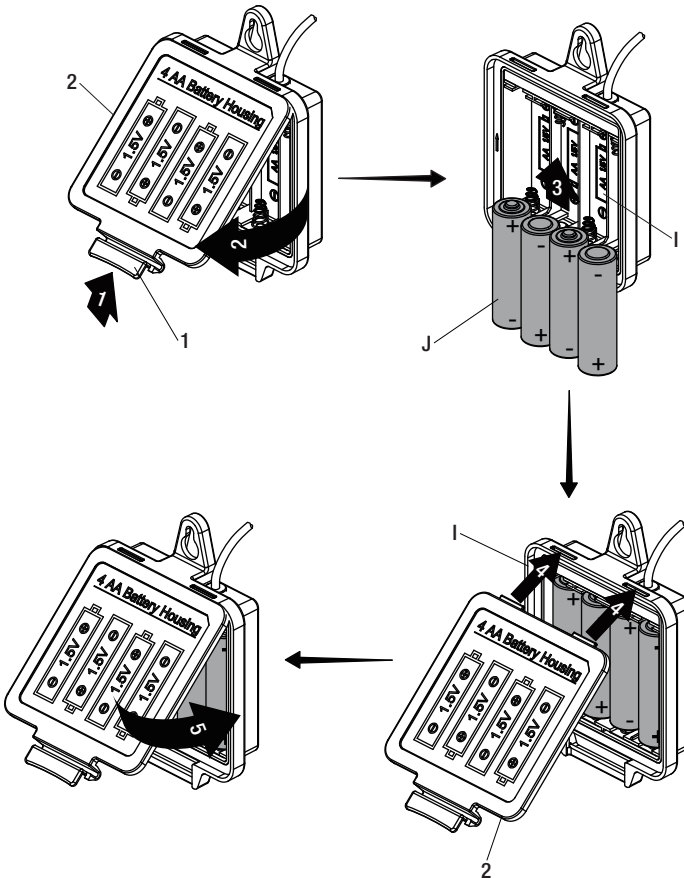


**NOTE:** This step is for battery installation (optional). If the battery will not be used, install as described in step 9.

- To open the battery housing, squeeze the tabs (1) on the cover (2), then remove the cover (2).
- Install the four AA batteries (J) included by matching the positive (+) and Negative (-) ends on the battery (J) to the (+) and (-) markings in the battery pack (I). The negative ends of the battery (J) should always connect to the spring end of the battery slots in the battery pack (I).
- Reinstall the battery pack cover (2) by pushing up and snapping into place.



**NOTE:** When the sensor flashes 10 times continuously and slowly, the batteries have lost their charge. Replace the batteries (J).



# 8 Installation using the battery pack

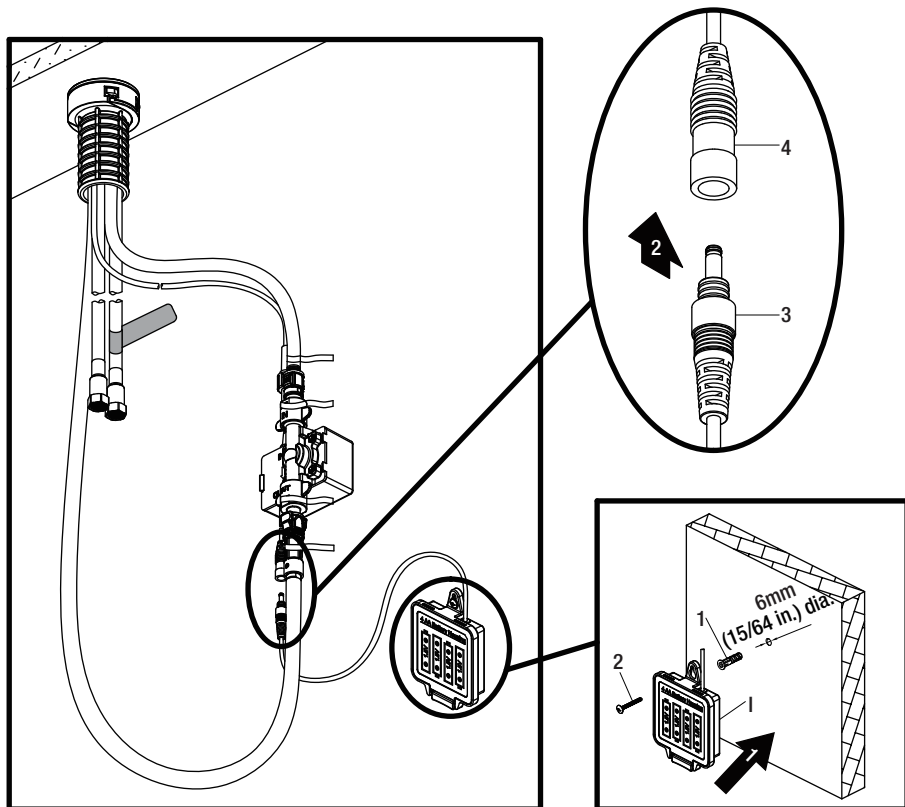


**NOTE:** This step is for battery installation (optional). If the battery will not be used, install as described in step 9.

- Drill a hole in the wall using a 6mm (15/64 in.) diameter drill bit. Install the battery pack (1) using the molly anchor (1) and screw (2) provided.
- Insert the battery pack cable (3) into the control box connection (4).



**NOTE:** After installing the battery pack, the light on the sensor will flash and the faucet control box will make a "click" sound when you move your hand in the sensor area. If not, check to ensure the batteries are installed correctly.



### 9 Installation using the AC adapter (not included)

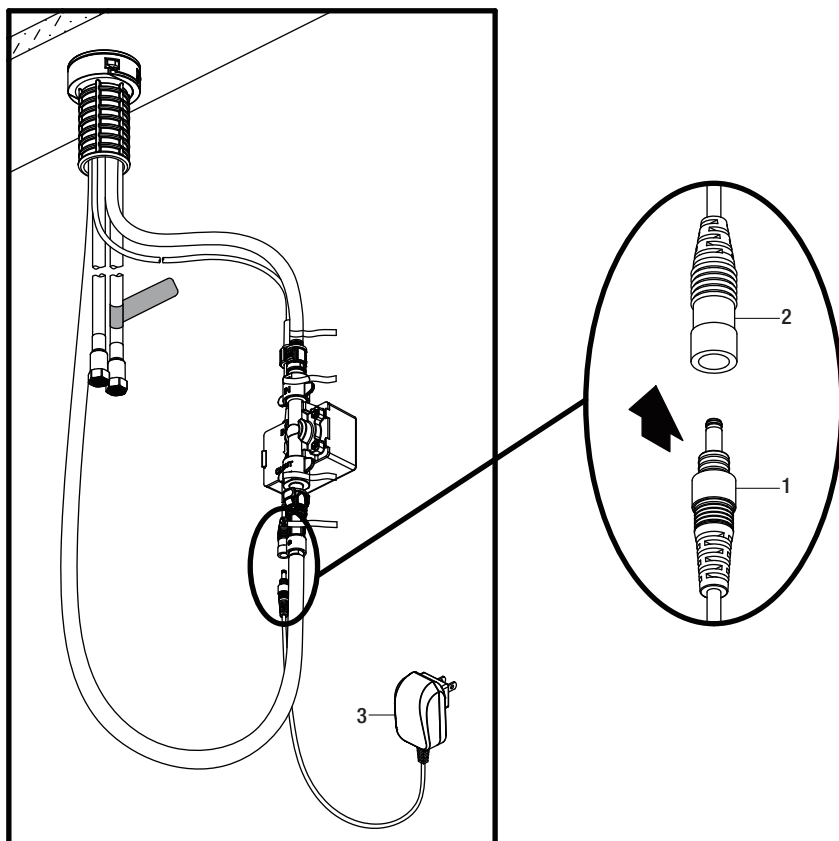


**NOTE:** This step is for installation without batteries using an AC adapter (not included). If using the batteries, install as instructed in step 7 and skip to step 10. The AC adapter is not included with the product, but can be purchased from [Homedepot.com](http://Homedepot.com).

- Insert the AC adapter cable (1) into the control box port (2).
- Install the AC adapter (3) into the power outlet.

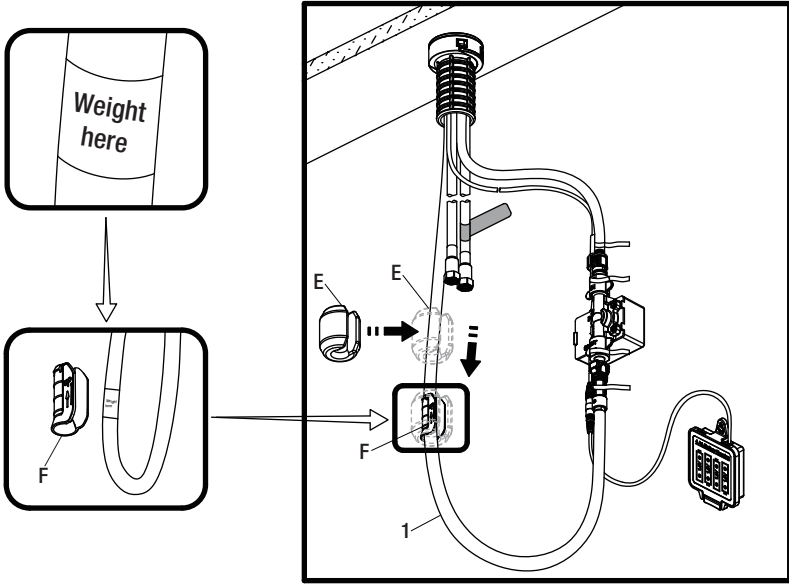


**NOTE:** After installing the AC adapter, the light on the sensor will flash and the faucet control box will make a "click" sound when you move your hand in the sensor area. If not, check if the connections are made properly.



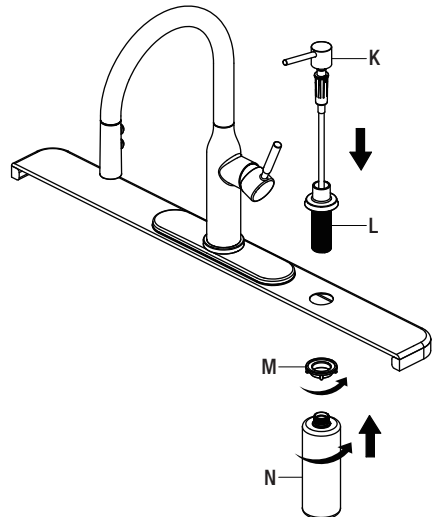
## 10 Installing the weight

- Install the weight clip (F) at the point of the hose (1) marking “weight here”.
- Insert the weight (E) onto the clip (F) by sliding it down onto the clip (F).



## 11 Installing the soap dispenser

- Insert the soap assembly (L) through the selected hole in the sink. Secure the soap assembly to the sink with the soap dispenser mounting nut (M) provided.
- From under the sink, screw the soap bottle (N) onto the soap assembly (L) shank. Insert the soap pump (K) down into the soap assembly (L).



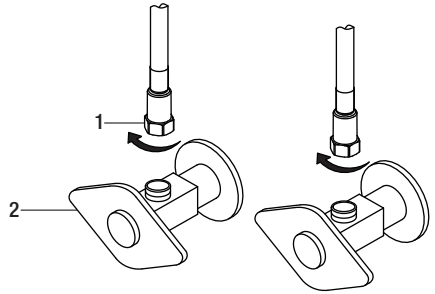
## Installation (continued)

# 12 Making the water supply connections



**NOTE:** The hot side inlet tube is indicated by a label. Avoid twisting wires together or placing the wires close to each other and damaging.

- Thread the nut (1) on the supply line onto the outlet of the water supply valve (2) and tighten with a wrench. Do not overtighten.



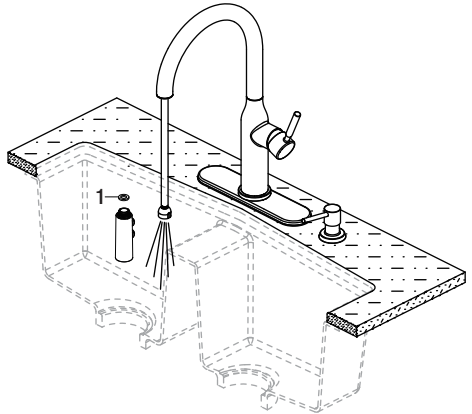
## Operation

# 1 Flushing and checking for leaks



**IMPORTANT:** After installation is completed, turn on the hot and cold water supplies. Check for leaks. Do not lose the gasket (1) in the hose.

- Pull the hose assembly out of the spout and remove the spray head by unscrewing it from the hose in a counterclockwise direction. Be sure to hold the end of the hose down into the sink and turn the faucet to the warm position where it mixes hot and cold water.
- Flush the water lines for one minute. This flushes away any debris that could cause damage to internal parts. Check for leaks.
- Re-tighten any connections if necessary, but do not overtighten. Reinstall the spray head by hand tightening it back onto the spray hose in a clockwise direction.





## Operation (continued)

### 2 Operating the sensor

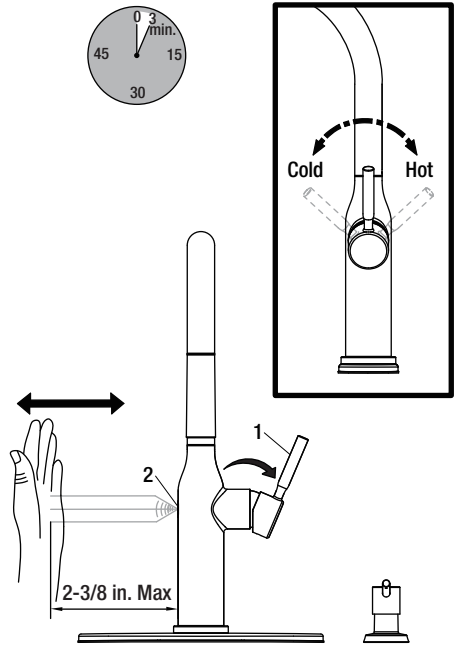


**NOTE:** The sensor is active only when the handle is in the ON position.

- Turn the handle (1) away from the faucet to the full on position. Turn the water on by activating the sensor (2) by waving your hand within 2-3/8 inches of the sensor.
- Move handle towards you and away from you, the water flow pattern can be switched from the cold water to hot water.
- If the sensor does not work, then you can refer to the troubleshooting. If you want to use the faucet without the sensor feature, then you can refer to step 6. Then, turning on the water can be done by moving the handle away from the faucet to the full on position.

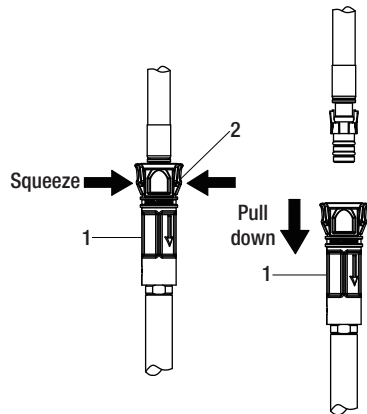


**NOTE:** As a water saving feature, the water will turn off automatically after 3 minutes of continuous flow.



### 3 Removing the quick connector (not required)

- If it is necessary to remove the quick connector (1), squeeze the tabs (2) on the quick connector and then pull down to disconnect.



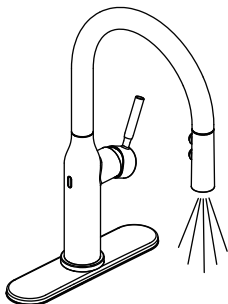
## Care and Cleaning

- To clean, wipe down with a damp cloth and dry with a towel.
- Do not use abrasive cleaners, steel wool, or harsh chemicals when cleaning this faucet, or the warranty will be voided.

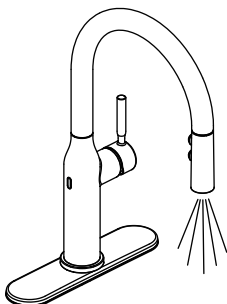
## Troubleshooting

### 1 Water will not shut off when turning the handle to the OFF position

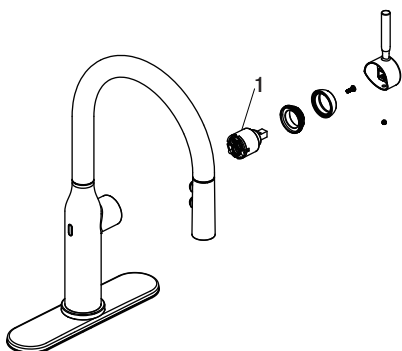
- When you turn the handle to the full on position, the water will turn on.



- But when you turn the handle to the full off position, the water does not turn off.

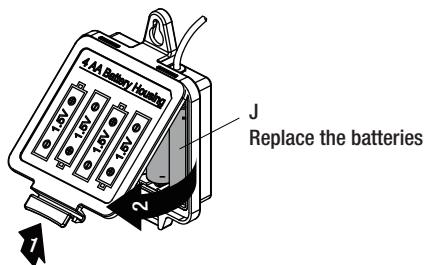
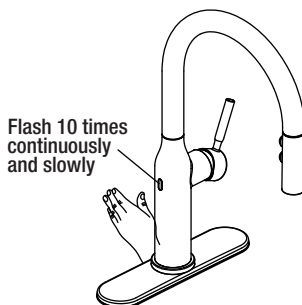


- This indicates that the cartridge is damaged. Turn off the water supply, remove the handle and replace the cartridge (1).



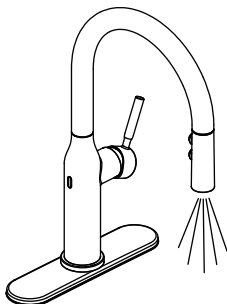
### 2 The light on the sensor is flashing continuously

- If the handle is closed, turn the handle to the on position and move your hand in the sensor area. If the sensor flashes 10 times continuously and slowly, then replace the 4 "AA" batteries.

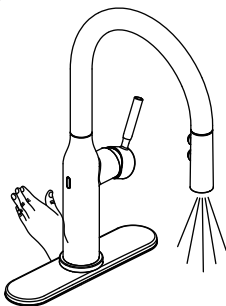


## 3 The sensor is not activating the water flow

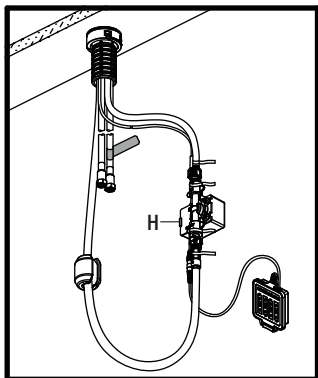
- When you turn the handle to the full on position, the water will turn on.



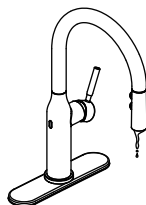
- However, when you move your hand in front of the sensor, the water does not turn off as it should.



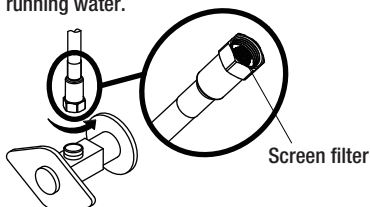
- This indicates that the control box is damaged. Call Glacier Bay customer service to request a replacement control box. Replace the old control box with the new control box.



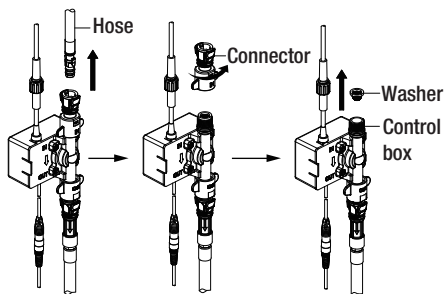
## 4 There is a low flow of water



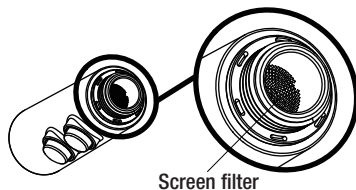
- This could indicate that the screen filter in the hose connectors is dirty. Turn off the water supply at angle stop and unscrew the hose connectors from water supply lines. Clean the screen filter in the hose connectors under running water.



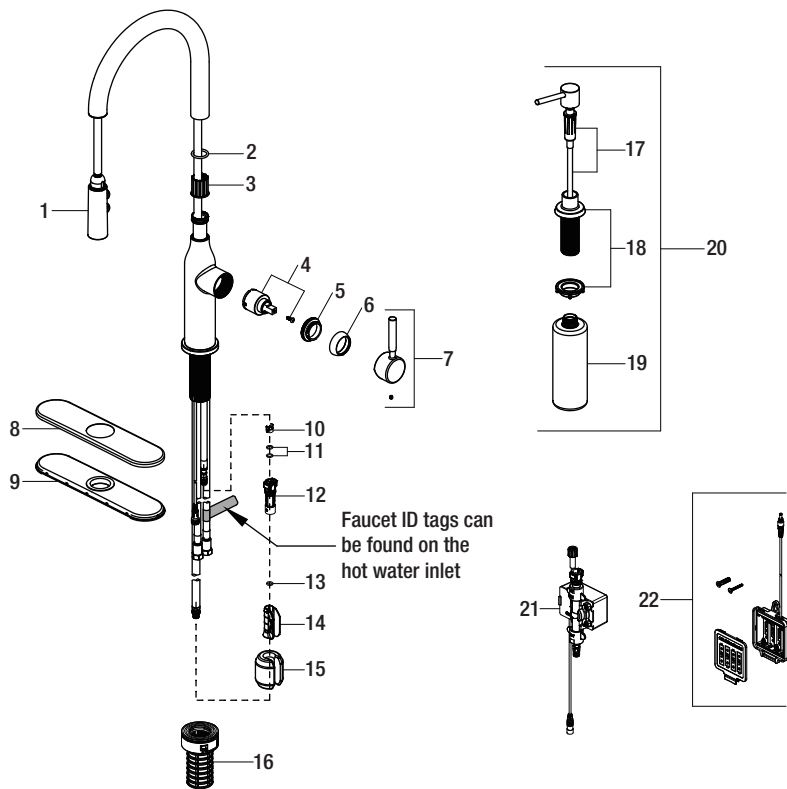
- Or the washer in the "in" end of the control box is dirty or damaged. Remove the hose and unscrew the connector. Take out the washer from the control box. Clear the washer or replace the washer. Reassemble the connector and hose.



- Or the screen filter in the spray head is dirty. Turn off the water supply at angle stop and unscrew the spray head from spray hose. Clean the screen filter in the spray head under running water.



# Service Parts



Part	Description	Part Number
1	Spray head and Hose	RP38404*
2	O-ring	RP60006
3	Wearable ring	RP64092
4	Cartridge & Screw	RP20094
5	Bonnet nut	RP70533
6	Cap	RP80028*
7	Handle assembly	RP13632*
8	Escutcheon	RP80667*
9	Gasket	RP80675
10	Block	RP70421
11	O-ring	RP60002

Part	Description	Part Number
12	Quick connect assembly	RP70709
13	O-ring	RP60089
14	Weight clip	RP70609
15	Weight	RP70525
16	FastMount™	RP56096
17	Pump kit	RP46022
18	Flange kit	RP46041*
19	Soap bottle	RP46024
20	Soap dispenser kit	RP46082*
21	Sensor control box	RP70708
22	Battery pack	RP70707

\*Specify Finish

Many replacement cartridges, aerators, and drain assemblies can be purchased at your local The Home Depot store or online at [HOMEDEPOT.COM](http://HOMEDEPOT.COM)



**Questions, problems, missing parts?**

Before returning to the store, call Glacier Bay Customer Service

8 a.m. - 7 p.m., EST, Monday - Friday

9 a.m. - 6 p.m., EST, Saturday

1-855-HD-GLACIER (1-855-434-5224)

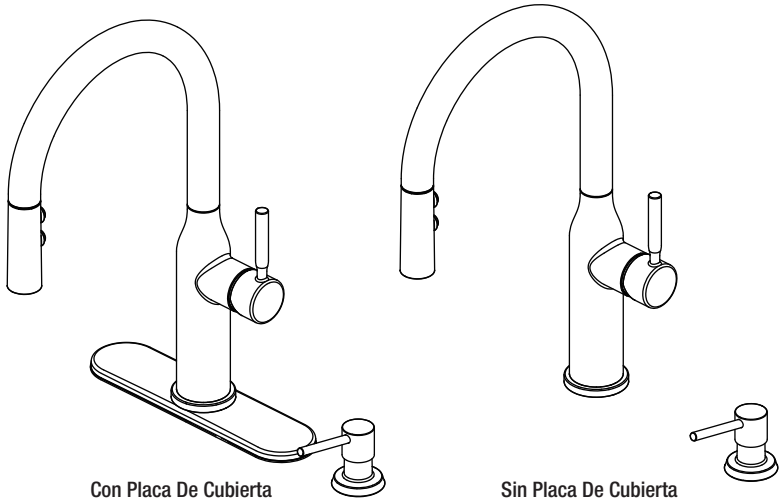
[HOMEDEPOT.COM](http://HOMEDEPOT.COM)

Retain this manual for future use.

# GUÍA DE USO Y MANTENIMIENTO

---

## GRIFO DE COCINA EXTENSIBLE UPSON DE UNA SOLA LLAVE ACCIONADO SIN TOCAR



¿Problemas, preguntas o piezas faltantes?

Antes de regresar a la tienda, llama al servicio al cliente de Glacier Bay de lunes a viernes entre 8 a.m. y 7 p.m. y los sábados entre 9 a.m. y 6 p.m. (hora estándar del Este)

1-855-HD-GLACIER (1-855-434-5224)

[HOMEDEPOT.COM](http://HOMEDEPOT.COM)

---

### GRACIAS

*Agradecemos la conanza que has depositado en Glacier Bay al comprar este grifo para cocina. Nos esforzamos por crear continuamente productos de calidad diseñados para mejorar tu hogar. Visítanos en Internet para ver nuestra línea completa de productos disponibles para las necesidades de mejoras de tu hogar. ¡Gracias por elegir a Glacier Bay!*

## Tabla de contenido

Información importante .....	19	Instalación .....	21
Garantía.....	19	Funcionamiento .....	29
Pre-instalación .....	19	Cuidado y limpieza .....	30
Planificación de la instalación .....	19	Solución de problemas.....	31
Herramientas y herrajes necesarios.....	19	Piezas de repuesto .....	33
Contenido del paquete .....	20		

## Información importante

- Cumple con todos los códigos locales de construcción y de plomería.
- Cubre el drenaje del lavabo para evitar que se pierda alguna pieza.
- Consulta la sección de mantenimiento y limpieza incluida en esta guía.

## Garantía

### GARANTÍA DE POR VIDA LIMITADA

Los productos de Glacier Bay están fabricados con normas y mano de obra de calidad superior y están respaldados por nuestra garantía de por vida limitada. Los productos de Glacier Bay están garantizados al comprador consumidor original de estar libres de defectos en materiales o mano de obra. Reemplazaremos LIBRE DE CARGOS cualquier producto o pieza que se demuestre está defectuosa. El mecanismo del sensor se excluye de la garantía limitada de por vida y queda cubierto por otra de 3 años a partir de la fecha de compra. Simplemente, devuelva el producto a cualquiera de las ubicaciones de venta al detalle de The Home Depot o llame al 1-855-HD-GLACIER (1-855-434-5224) para recibir el artículo de reemplazo. La prueba de compra (recibo de venta original) del comprador consumidor original debe estar disponible para todos los reclamos de garantía de Glacier Bay.

Esta garantía excluye daños y fallos incidentales/consecuenciales debido al mal uso, abuso o desgaste normal por el uso. Esta garantía excluye todos los usos industriales, comerciales y de negocios, a cuyos compradores por la presente, se les ha ampliado una garantía limitada de cinco años a partir de la fecha de compra, con todos los otros artículos de esta garantía que aplican excepto la duración de la garantía.

Algunos estados y provincias no permiten la exclusión o la limitación de los daños incidentales o consecuenciales, por lo tanto, las limitaciones y exclusiones anteriores podrían no aplicar a usted. Esta garantía le otorga derechos legales específicos y también puede tener otros derechos que varían de un estado a otro. Por favor, vaya a una tienda o llame al 1-855-HD-GLACIER para más detalles.

Póngase en contacto con el Equipo de Servicio al Cliente llamando al 1-855-434-5224 o visite [www.HomeDepot.com](http://www.HomeDepot.com).

## Pre-instalación

### PLANIFICACIÓN DE LA INSTALACIÓN

Antes de comenzar la instalación de este producto, asegúrate de que no falta ninguna pieza. Compara las piezas con la lista de Contenido del paquete. Si falta alguna pieza o está dañada, no intentes instalar el producto. Comunícate con el servicio al cliente para piezas de repuesto.

### HERRAMIENTAS Y HERRAJES NECESARIOS



Llave ajustable



Gafas de seguridad



Destornillador Phillips



Sellador de silicona



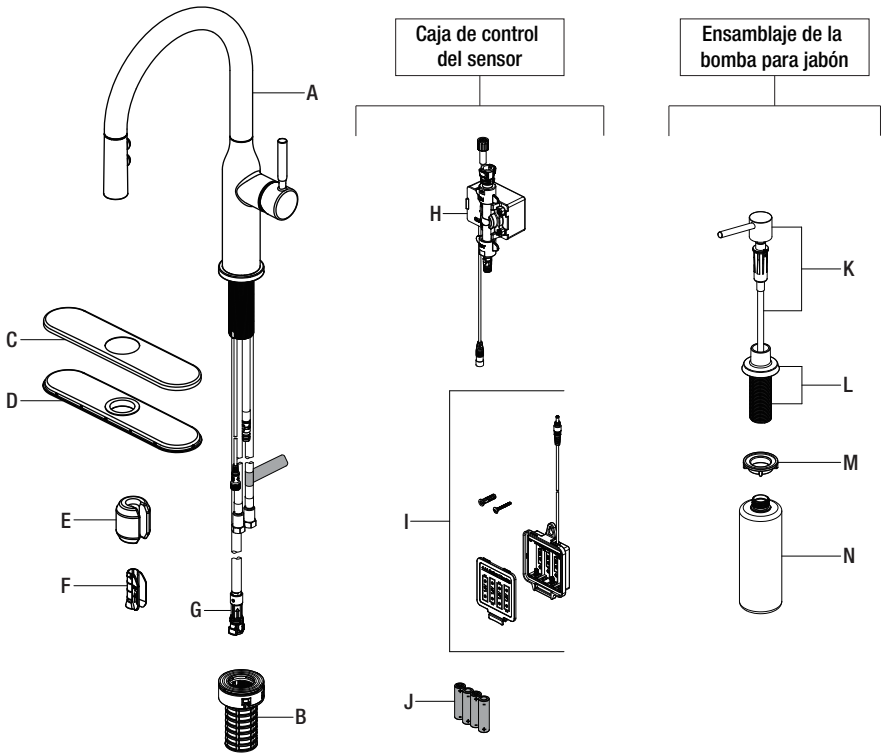
Pinzas ajustables



Taladro eléctrico de 6 mm de diámetro

# Pre-instalación (continuación)

## CONTENIDO DEL PAQUETE



Pieza	Descripción	Cantidad
A	Cuerpo del grifo	1
B	FastMount™	1
C	Placa protectora	1
D	Junta	1
E	Peso	1
F	Sujetador con peso	1
G	Ensamblaje del conector rápido	1
H	Caja de control del sensor	1

Pieza	Descripción	Cantidad
I	Paquete de baterías	1
J	Batería "AA"	4
K	Bomba para jabón	1
L	Ensamblaje para jabón	1
M	Tuerca de montaje para el dispensador de jabón	1
N	Botella de jabón	1



# Instalación

## 1 Cómo prepararse para la instalación



**PRECAUCIÓN:** Cierra siempre el suministro de agua antes de retirar un grifo existente o reemplazar alguna parte del mismo. Abre la llave del grifo para liberar la presión de agua y asegúrate de que el suministro de agua esté completamente cerrado.

- Cierra el suministro de agua. Retira el grifo anterior. Limpia la superficie de montaje.
- Antes de instalar, desenrosca de izquierda a derecha el conector rápido (G) del extremo libre de la manguera, y quítalo.



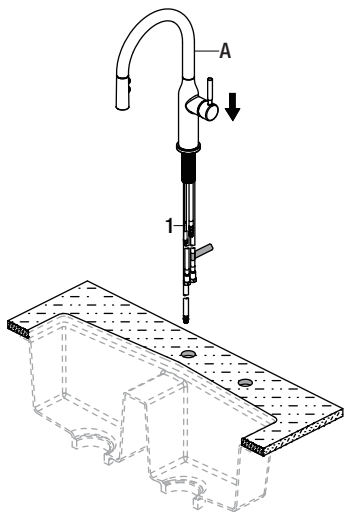
## 2 Cómo instalar el ensamblaje del grifo

### 2a



**NOTA:** Este paso es para una instalación sin placa protectora (opcional).

- Instala el cuerpo del grifo (A) -incluyendo las mangueras de suministro y los cables del sensor (1)- a través del orificio del fregadero.

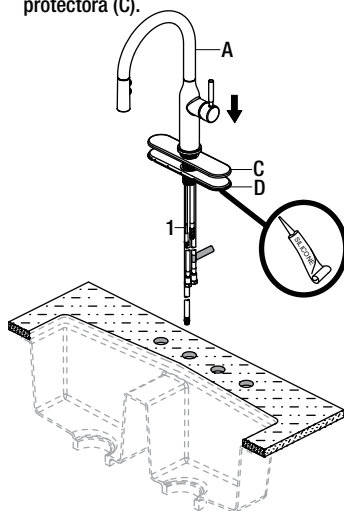


### 2b



**NOTA:** Este paso es para la instalación de la placa protectora (opcional). Se requiere aplicar silicona debajo de la junta (D).

- Coloca la placa protectora (C) y la junta (D) en los orificios del fregadero.
- Instala el cuerpo del grifo (A) -incluyendo las mangueras de suministro y los cables del sensor (1)- a través del orificio de la placa protectora (C).



## Instalación (continuación)

### 3 Cómo fijar el ensamblaje del grifo

- Desde abajo del lavamanos, asegura el conjunto del grifo a aquel con la sistema FastMount™ (B). Empuja la sistema FastMount™ (B) hacia arriba sobre las roscas hasta que toque la parte inferior del lavamanos. Enseguida girala con la mano (hacia la derecha) para ajustar (Fig. 1).

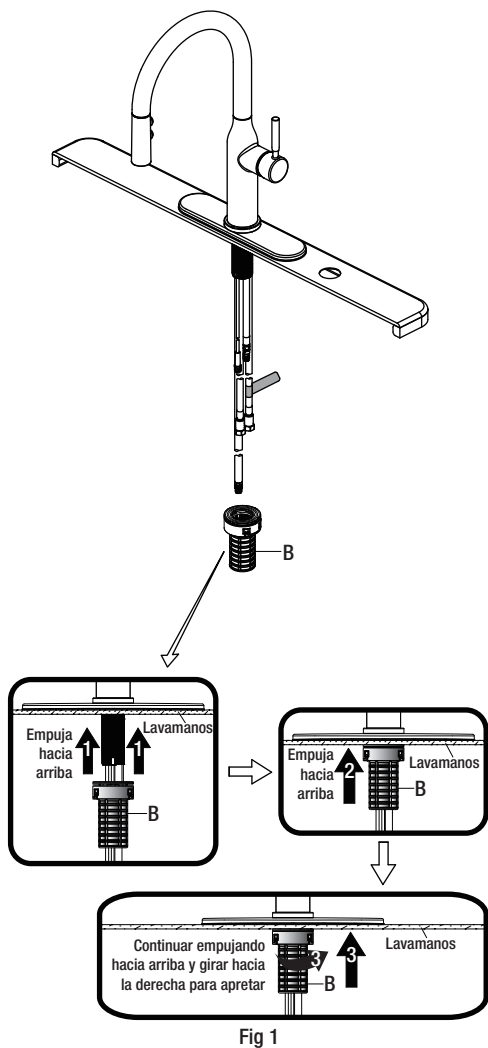
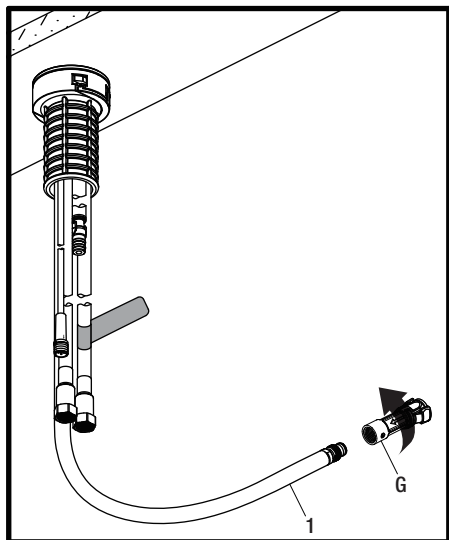


Fig 1

### 4 Cómo montar el conector rápido en la manguera

- Hala la manguera (1) hacia fuera del vástago roscado de montaje.
- Fija el conector rápido (G) enroscándolo en el extremo roscado de la manguera (1) en dirección de las agujas del reloj. Ajusta únicamente con la mano.



## 5 Cómo instalar el cable del sensor

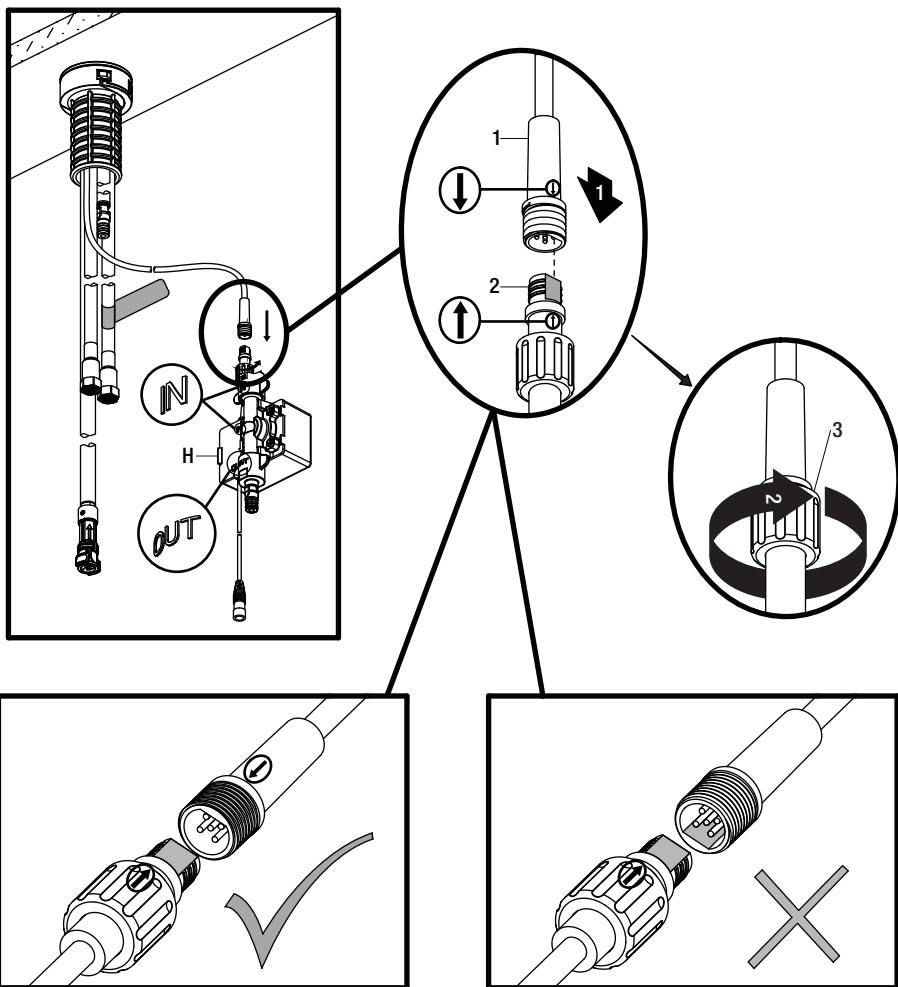


**NOTA:** El lateral de la caja de control (H) con las indicaciones “adentro” (“in”) y “afuera” (“out”) debe estar hacia el frente del gabinete (alejado de la parte posterior de este).

- Instala el cable de datos (1) en la conexión de la caja de control (2). Asegúrate de que las flechas en el cable de datos y la conexión de la caja de control estén alineadas entre sí para garantizar una instalación adecuada. Para asegurarte de que estén bien conectados, únelos con firmeza.
- Asegura la conexión ajustando, a mano y hacia la derecha, la tuerca (3) sobre el cable del sensor roscado.



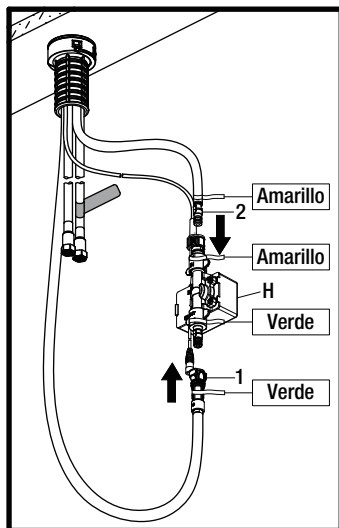
**PRECAUCIÓN:** Si las conexiones no se realizan adecuadamente, el sensor no funcionará.



### 6 Cómo montar el conector rápido al bloque receptor

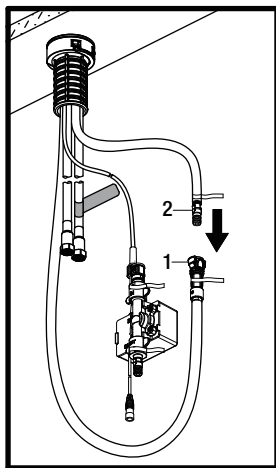
- Conecta la manguera con la etiqueta amarilla con la manguera de la caja de control (H) que tiene una etiqueta amarilla similar. Únelas con firmeza hasta que encajen en su lugar. Como se muestra en la Fig. 1.
- Conecta la manguera con la etiqueta verde con la manguera de la caja de control (H) que tiene una etiqueta verde similar. Únelas con firmeza hasta que encajen en su lugar. Como se muestra en la Fig. 1.

Fig. 1



- OPCIONAL: Si quieres usar el grifo sin la función del sensor o sin electricidad, puedes fijar el conector rápido (1) en el bloque receptor (2). Esto elimina la función del sensor y permite que el grifo funcione moviendo la manija. Como se muestra en la Fig. 2.

Fig. 2



## 7 Cómo instalar las baterías

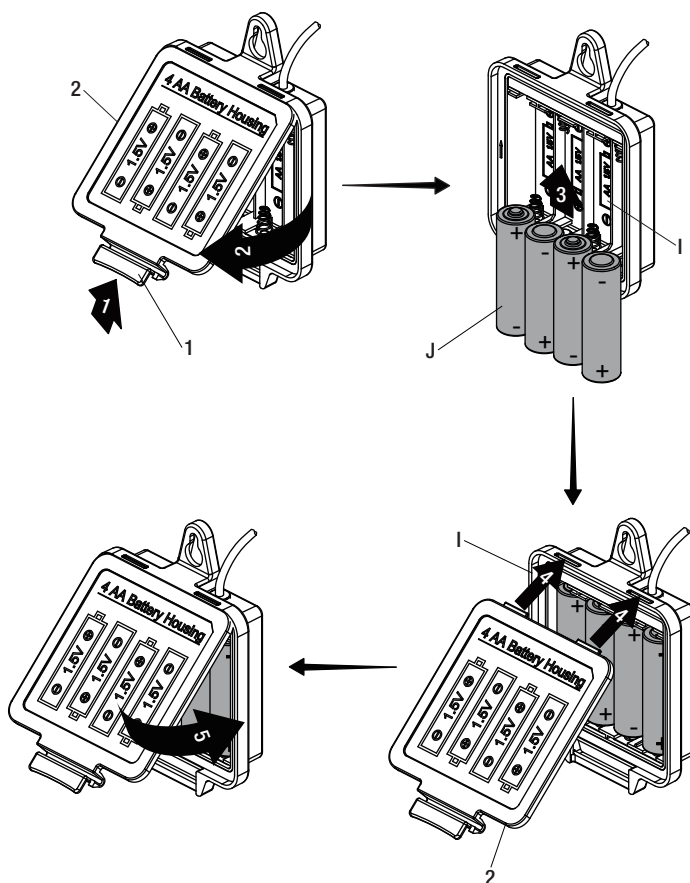


**NOTA:** Este paso es para la instalación con baterías (opcional). Si no usas baterías, realiza la instalación como se describe en el paso 9.

- Para abrir la carcasa de la batería, aprieta las lengüetas (1) de la cubierta (2) y retira esta última (2).
- Instala las cuatro baterías AA (J) incluidas uniendo los extremos positivo (+) y negativo (-) de la batería (J) con las marcas (+) y (-) del paquete de baterías (I). Los extremos negativos de la batería (J) deben conectarse siempre con el extremo con resorte en los espacios para baterías del paquete de baterías (I).
- Presiona la cubierta del paquete de las baterías (2) hacia arriba para que encaje en su lugar.



**NOTA:** Cuando el sensor parpadea 10 veces de forma lenta y constante, significa que las baterías están descargadas. Reemplaza las baterías (J).



## Instalación (continuación)

### 8 Instalación usando las baterías

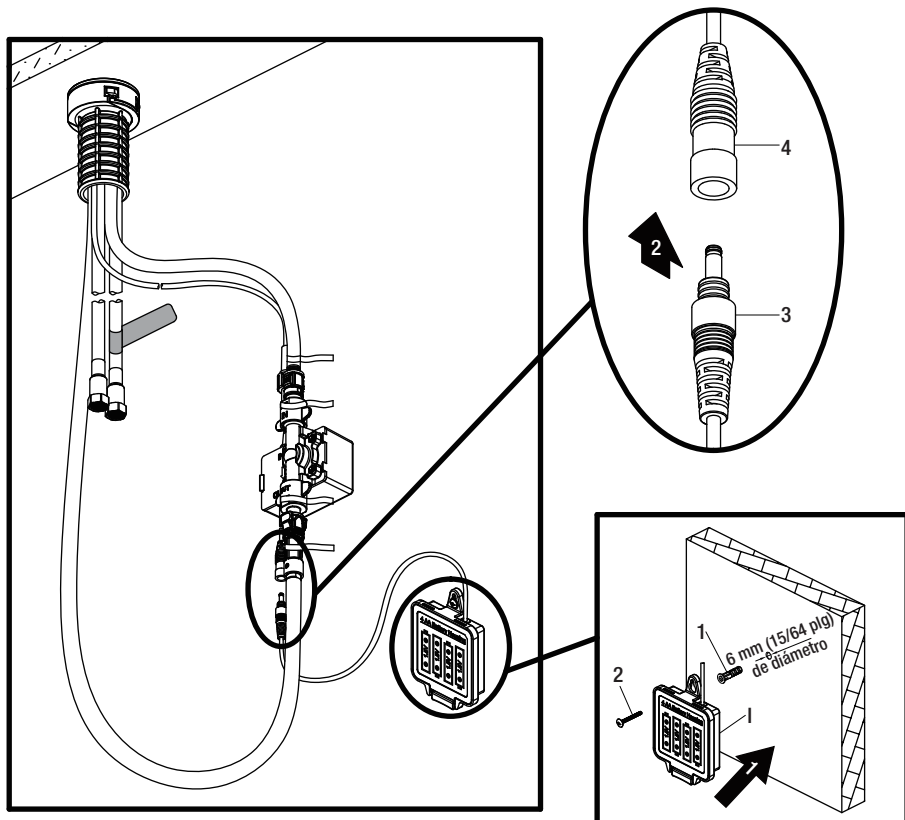


**NOTA:** Este paso es para la instalación con baterías (opcional). Si no usas baterías, realiza la instalación como se describe en el paso 9.

- Taladra un orificio en la pared con una broca de taladro de 6 mm (15/64 plg) de diámetro. Instala la batería (1) usando el anclaje molly (1) y tornillos (2) incluidos.
- Inserta el cable del paquete de las baterías (3) en la conexión de la caja de control (4).



**NOTA:** Después de instalar el paquete de baterías, la luz del sensor parpadeará y la caja de control de la mezcladora emitirá un sonido "clic" al moverse la mano en el área del sensor. Si esto no sucede, verifica para asegurar que las baterías estén instaladas correctamente.



## 9 Instalación usando el Adaptador CA (no incluido)

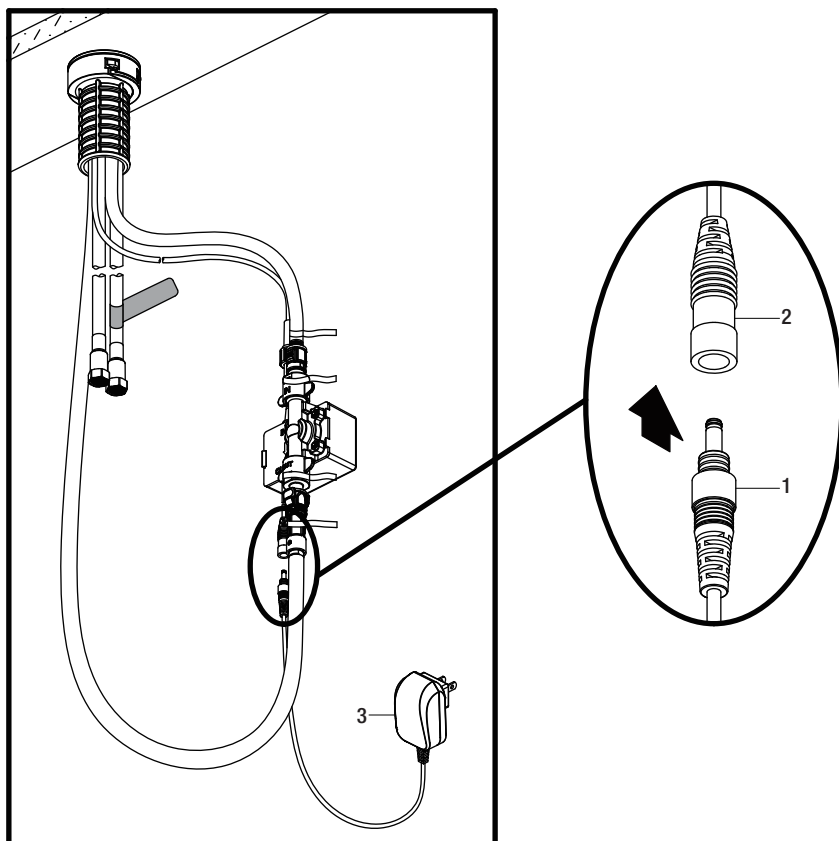


**NOTA:** Este paso es para la instalación sin baterías usando un adaptador CA (no incluido). Si usas las baterías, instala como se indica en el paso 7 y salta al paso 10. El adaptador de CA no está incluido en el producto, pero puede comprarse en Homedepot.com.

- Inserta el cable adaptador de CA (1) en el puerto de la caja de control (2).
- Enchufa el adaptador de CA (3) en el tomacorriente.

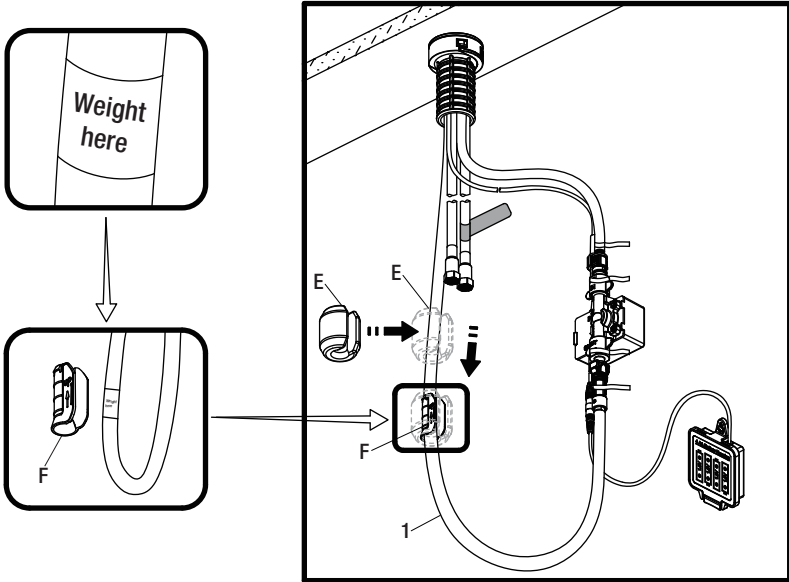


**NOTA:** Después de instalar el adaptador de CA, la luz del sensor parpadeará y la caja de control de la mezcladora emitirá un sonido "clic" al moverse la mano en el área del sensor. Si esto no sucede, verifica que las conexiones estén bien hechas.



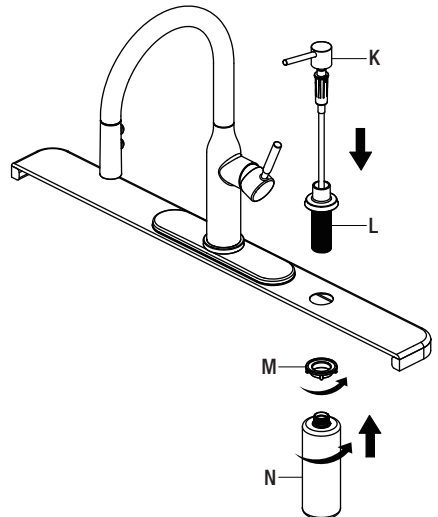
## 10 Instalar la peso

- Instala el sujetador de la peso (F) en la punta de la manguera (1) marcada “weight here” (peso aquí).
- Inserta la peso (E) en el sujetador (F) deslizando la en el sujetador (F).



## 11 Cómo instalar el dispensador de jabón

- Inserta el ensamblaje para jabón (L) en el orificio seleccionado del fregadero. Asegura el ensamblaje para jabón en el fregadero con la tuerca de montaje incluida (M) para el dispensador de jabón.
- Desde abajo del fregadero, enrosca la botella de jabón (N) en el vástago del ensamblaje para jabón (L). Inserta la bomba para jabón (K) abajo en el ensamblaje para el jabón (L).





## Instalación (continuación)

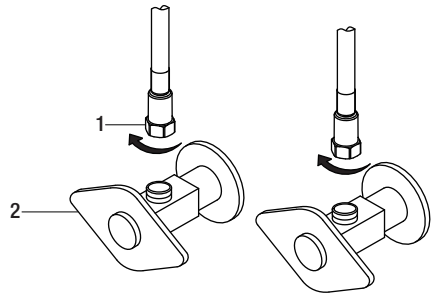
# 12

### Cómo hacer las conexiones del suministro de agua



**NOTA:** El tubo de entrada del agua caliente se identifica con una etiqueta. Evita enroscar los cables juntos o colocarlos cerca y evita dañarlos.

- Enrosca la tuerca (1) de la línea de suministro en la salida de la válvula de suministro de agua (2) y aprieta con una llave. No aprietes demasiado.



## Funcionamiento

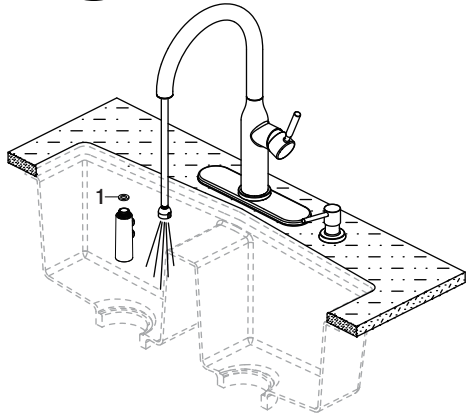
# 1

### Cómo purgar las tuberías y comprobar que no haya fugas



**IMPORTANTE:** Luego de terminar la instalación, abre los suministros de agua caliente y fría. Revisa si hay filtraciones. No aflojes la junta (1) en la manguera.

- Retira del caño el ensamblaje de la manguera y retira el cabezal del rociador desenroscándolo de la manguera en el sentido contrario a las manecillas del reloj. Asegúrate de sostener el extremo de la manguera hacia abajo en el fregadero y gira el grifo a la posición de agua tibia donde mezcla el agua caliente y la fría.
- Deja que corra el agua por un minuto. Esto enjuagará cualquier suciedad que podría dañar las piezas internas. Verifica que no haya filtraciones.
- Vuelve a ajustar las conexiones que lo necesiten, pero sin apretar demasiado. Vuelve a instalar el cabezal rociador ajustándolo manualmente en la manguera del rociador de izquierda a derecha.



# Funcionamiento (continuación)

## 2 Cómo poner en funcionamiento el sensor

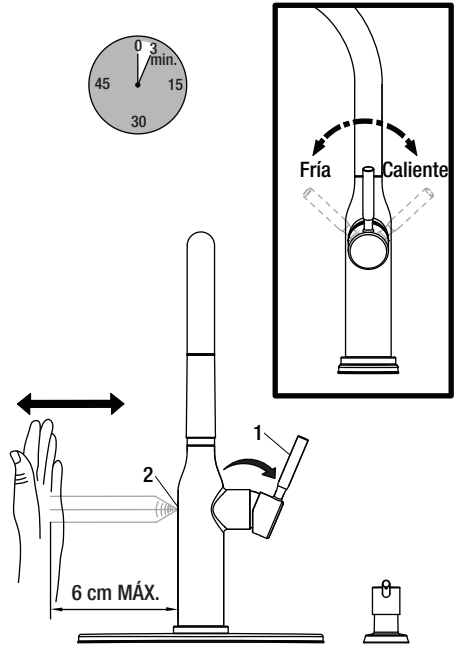


**NOTA:** Es sensor se activa únicamente cuando la manija está en la posición abierta (ON).

- Gira la manija (1) alejándola del grifo hasta dejarlo completamente abierto. Abre el suministro de agua activando el sensor (2) al pasar la mano a menos de 6 cm de este.
- Mueve la manija hacia ti y lejos de ti para alternar el patrón de flujo de agua entre agua fría y caliente.
- Si el sensor no funciona, consulta la sección Solución de Problemas. Si quieres usar el grifo sin la función del sensor, puedes consultar el Paso 6. Enseguida se puede abrirse el suministro de agua alejando la manija del grifo hasta la posición de completamente abierto.

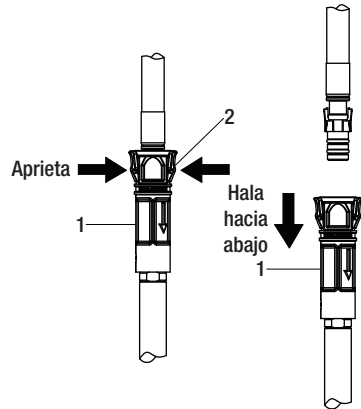


**NOTA:** Como modo de ahorro de agua, el suministro de agua se cerrará automáticamente después de 3 minutos de flujo constante.



## 3 Cómo quitar el conector rápido (no se requiere)

- Si es necesario, retira el conector rápido (1), aprieta las pestañas (2) de la manguera y hala hacia abajo para desconectar.

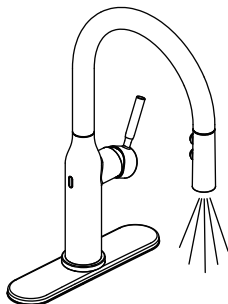


## Cuidado y limpieza

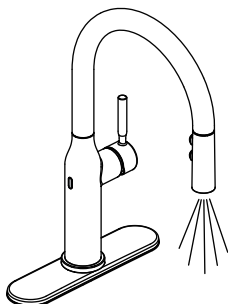
- Para limpiar, usa un paño húmedo y seca con una toalla.
- No uses limpiadores abrasivos, esponjas de alambre o productos químicos fuertes para limpiar esta mezcladora, pues ello anulará la garantía.

### 1 El suministro de agua no se detendrá al mover la manija a la posición cerrada (OFF).

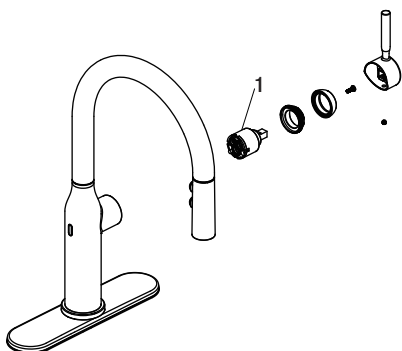
- Cuando giras la manija a la posición abierta, se abre el flujo de agua.



- Pero cuando giras la manija a la posición completamente cerrada, el agua no se corta.

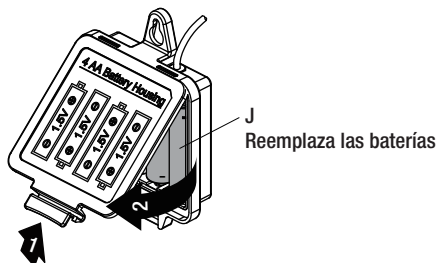


- Esto indica que el cartucho está dañado. Cierra el suministro de agua, quita la manija y reemplaza el cartucho (1).



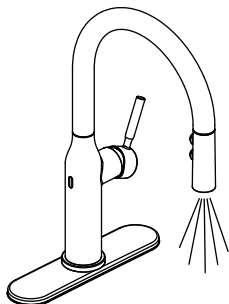
### 2 La luz del sensor parpadea constantemente

- Si la manija está cerrada, muévela a la posición abierta y mueve la mano en el área del sensor. Si el sensor parpadea 10 veces de forma lenta y constante, reemplaza las 4 baterías "AA".

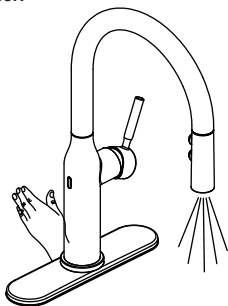


## 3 El sensor no activa el flujo de agua

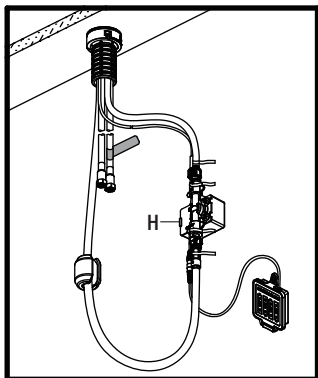
- Cuando giras la manija a la posición abierta, se abre el flujo de agua.



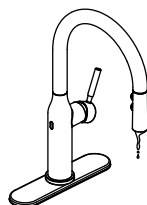
- Sin embargo, cuando mueves la mano frente al sensor, el flujo no agua no se cierra como debería ser.



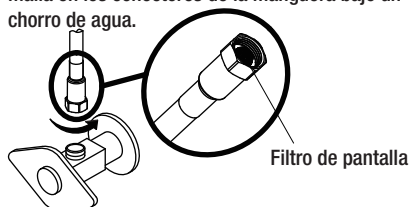
- Esto indica que la caja de control está dañada. Llama al servicio al cliente de Glacier Bay para solicitar el reemplazo de la caja de control. Reemplaza la caja de control vieja por la nueva.



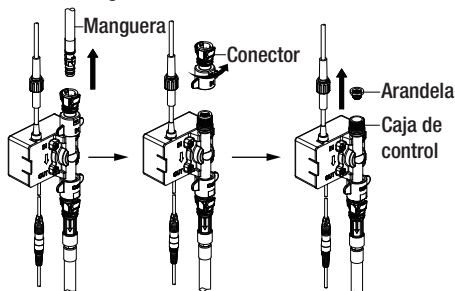
## 4 El caudal de agua es bajo



- Esto podría indicar que el filtro de pantalla en los conectores de la manguera está sucio. Cierra el suministro de agua en la válvula de cierre angular y desenrosca los conectores de manguera de las líneas de suministro de agua. Limpia el filtro de malla en los conectores de la manguera bajo un chorro de agua.



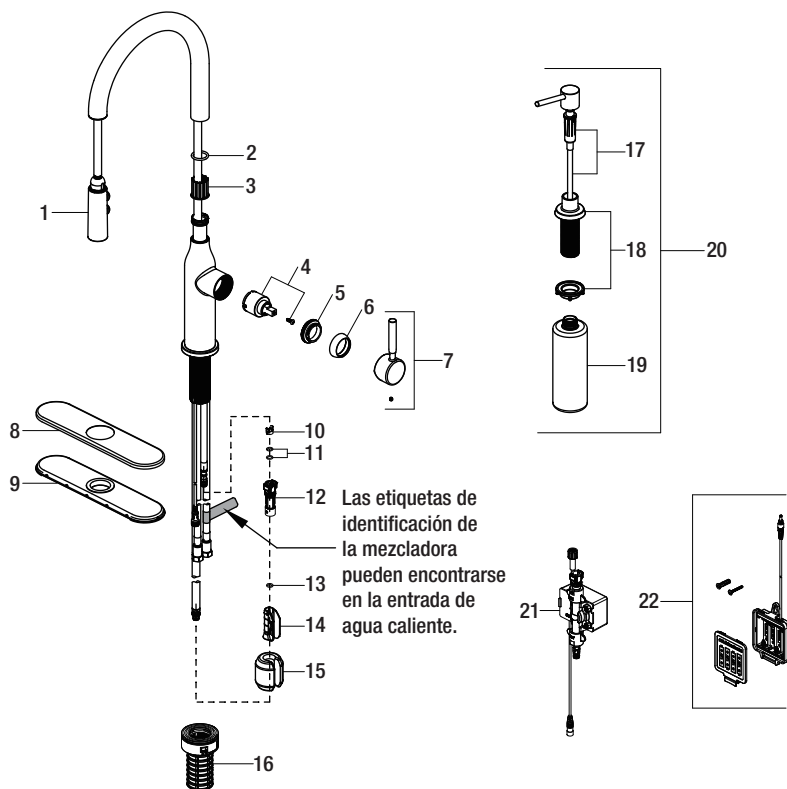
- O la arandela del extremo que dice "adentro" ("in") de la caja de control está sucia o dañada. Quita la manguera y desatornilla el conector. Retira la arandela de la caja de control. Limpia la arandela o reemplázala. Vuelve a ensamblar el conector y la manguera.



- O el filtro de malla en el cabezal del rociador está sucio. Cierra el suministro de agua en la llave angular de paso y desenrosca el cabezal del rociador de su manguera. Limpia el filtro de malla en el cabezal del rociador bajo un chorro de agua.



# Piezas de repuesto



Pieza	Descripción	Número de pieza
1	Cabezal rociador y manguera	RP38404*
2	Aro tórico	RP60006
3	Anillo de uso	RP64092
4	Cartucho y Tornillo	RP20094
5	Tuerca del bonete	RP70533
6	Tapa	RP80028*
7	Ensamblaje de la llave	RP13632*
8	Placa protectora	RP80667*
9	Junta	RP80675
10	Bloque	RP70421
11	Aro tórico	RP60002
12	Ensamblaje del conector rápido	RP70709

Pieza	Descripción	Número de pieza
13	Aro tórico	RP60089
14	Sujetador con peso	RP70609
15	Peso	RP70525
16	FastMount™	RP56096
17	Kit de bomba	RP46022
18	Kit de brida	RP46041*
19	Botella de jabón	RP46024
20	Kit del dispensador de jabón	RP46082*
21	Caja de control del sensor	RP70708
22	Paquete de baterías	RP70707

\*Especificar acabado

Muchos cartuchos de repuesto, aireadores y ensamblajes de drenaje pueden comprarse en tu tienda de The Home Depot local o por internet en [WWW.HOMEDEPOT.COM](http://WWW.HOMEDEPOT.COM)



¿Problemas, preguntas o piezas faltantes?

Antes de regresar a la tienda, llama al servicio al cliente de Glacier Bay de lunes a viernes entre 8 a.m. y 7 p.m. y los sábados entre 9 a.m. y 6 p.m. (hora estándar del Este)

1-855-HD-GLACIER (1-855-434-5224)

[HOMEDEPOT.COM](http://HOMEDEPOT.COM)

Conserva este manual para uso futuro.