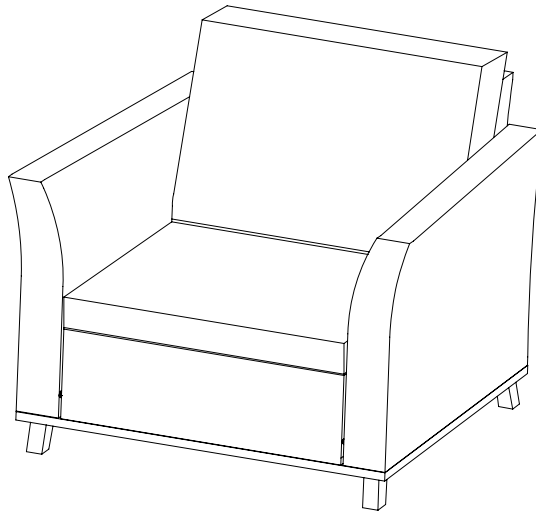


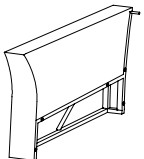
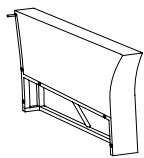
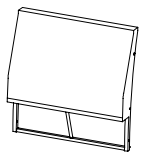
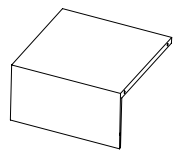
Assembly Instructions

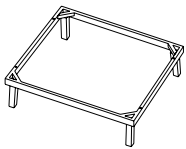
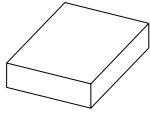
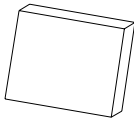
Caution : You must read this before you proceed

Club Chair

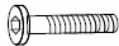




Parts List

Label	Picture	QTY	
A		Left Armrest	1
B		Right Armrest	1
C		Backrest	1
D		Seat	1

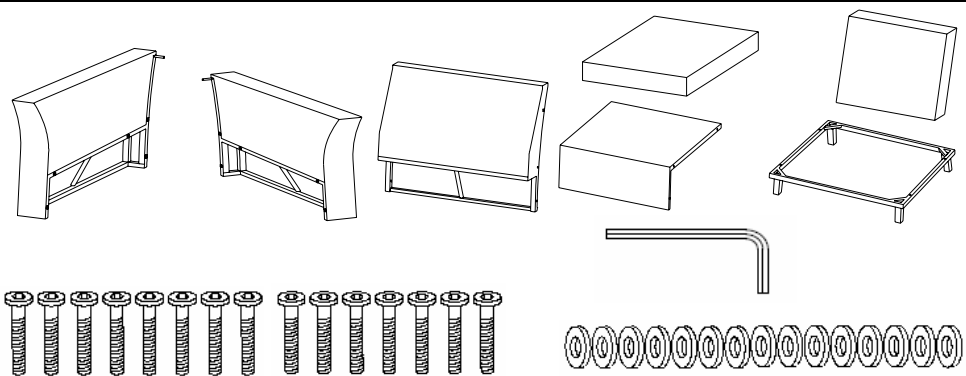
E		Base (Pre-attached Levellers)	1
F		Seat Cushion	1
G		Back Cushion	1

Hardware

Label	Picture	Description	QTY
①		Bolt (M6x35mm)	15
②		Washer (M6)	15
③		Allen Key	1

Assembly Preparation

Before
Beginning
Assembly:



- Read instructions, cover to cover-



- Have 2 adults on hand for assembly-



- Do not assemble on flooring or carpet-



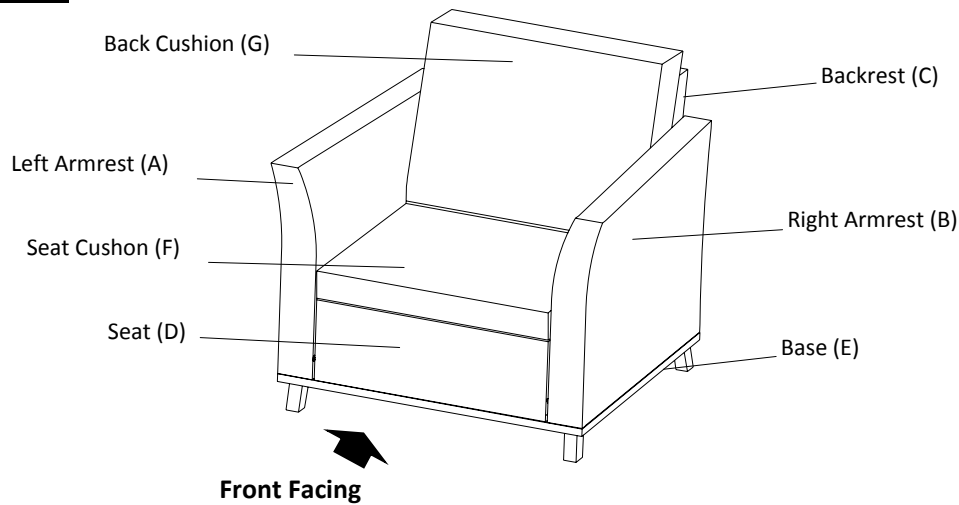
- Assemble on a clean non-marring surface (packing foam)-



- Save all packaging until finished-

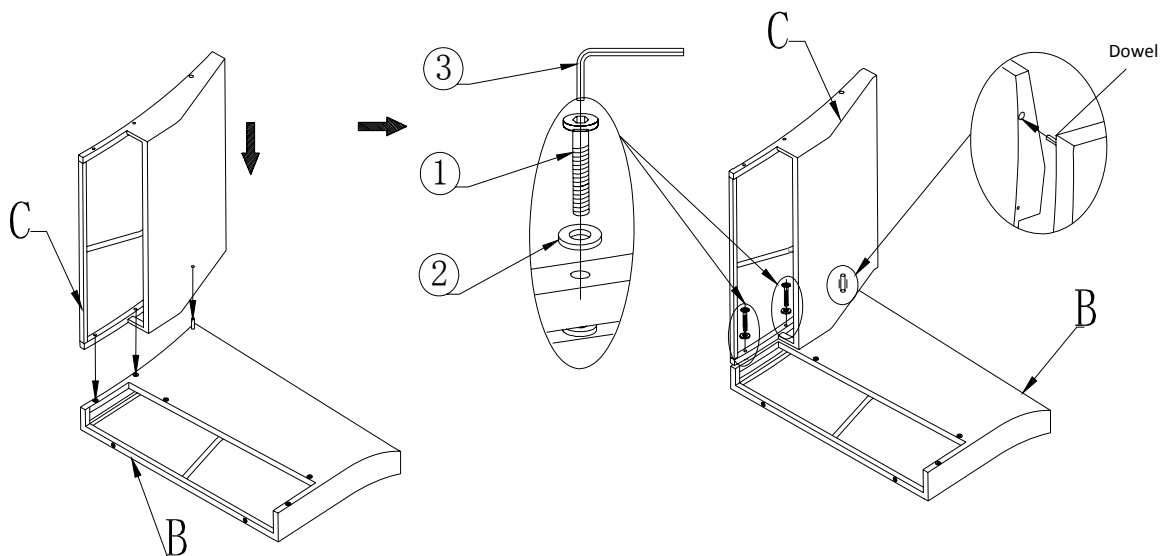
Assembly Steps

Overview



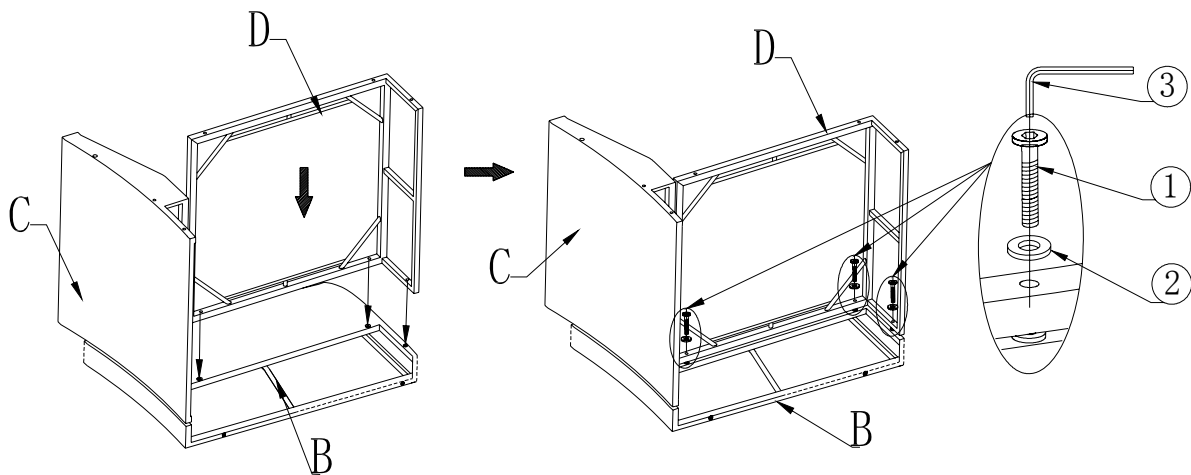
This Club Chair has multiple parts and may require up to 30 minutes to assemble. To give you an overview of the Club Chair parts, the above picture is to help you put the various parts into perspective. Please read through the instructions below to familiarise yourself with the parts and steps before assembly.

Step 1



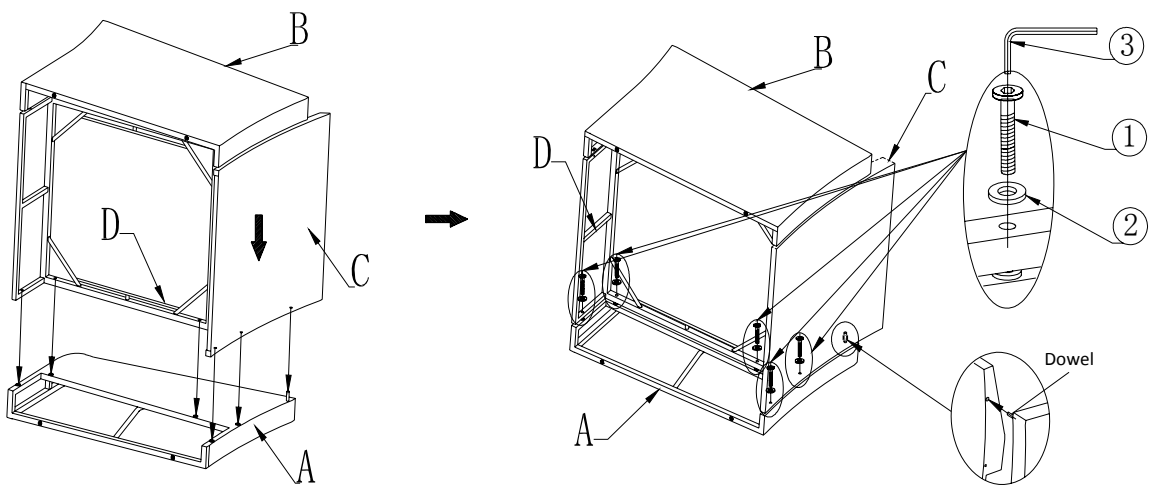
Open the carton and place all the parts onto a clean, non-marring surface.
Place the Right Armrest(B) on its side as shown.
Align the Backrest(C) to the Right Armrest(B).
Insert the Dowel of the Right Armrest(B) into the mounting position of the Backrest(C).
Attach Backrest(C) to Right Armrest(B) using Bolts(①), and Washers(②) with Allen Key(③).
Do not fully tighten the Bolts.

Step 2



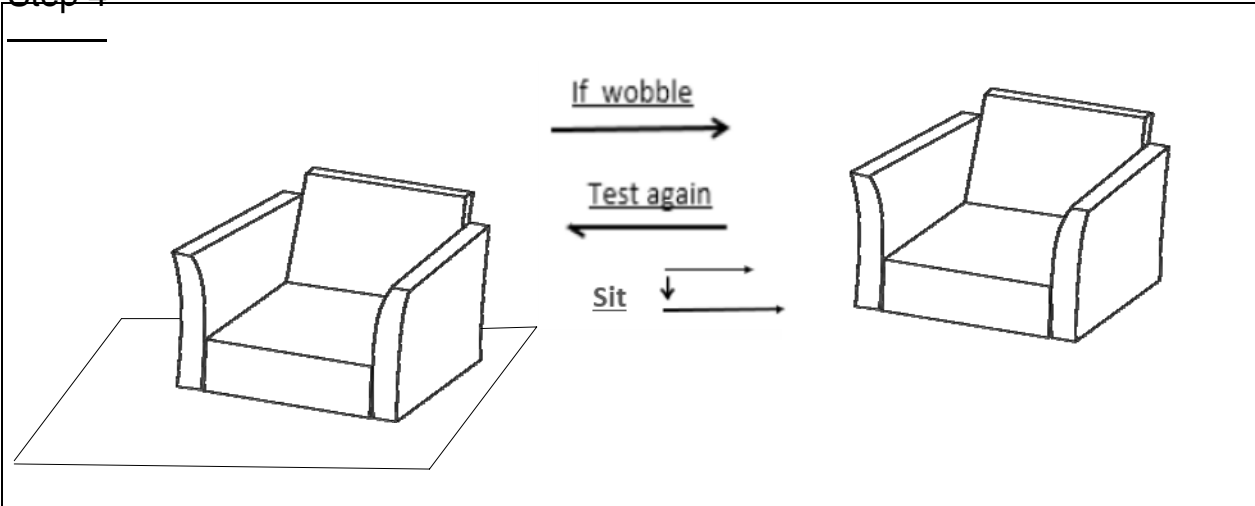
Align the Seat(D) to the Backrest(C) and Right Armrest(B) as shown above.
Attach Seat(D) to Backrest(C) and Right Armrest(B) using Bolts(①), and Washers(②) with Allen Key(③).
Do not fully tighten the Bolts.

Step 3



Place the Left Armrest(A) on its side as shown.
With the help of your adult partner, align Backrest(C) and Seat(D) to Left Armrest(A).
Insert the Dowel of the Left Armrest(A) into the Backrest(C).
Attach Left Armrest(A) to Backrest(C) and Seat(D) using Bolts(①), and Washers(②) with Allen Key(③) where indicated.
Do not fully tighten the Bolts.

Step 4



With the help of your adult partner, place the Chair on a level surface to check for wobbles.

If it wobbles, carefully sit onto the Chair.

This will help to ensure that all the Bolts and gaps reach full alignment status.

Test again for evenness on a level surface.

If no wobbles are found, slowly and steadily, place the Chair facedown.

Then, proceed to tighten all Bolts at all joints in a sequential manner.

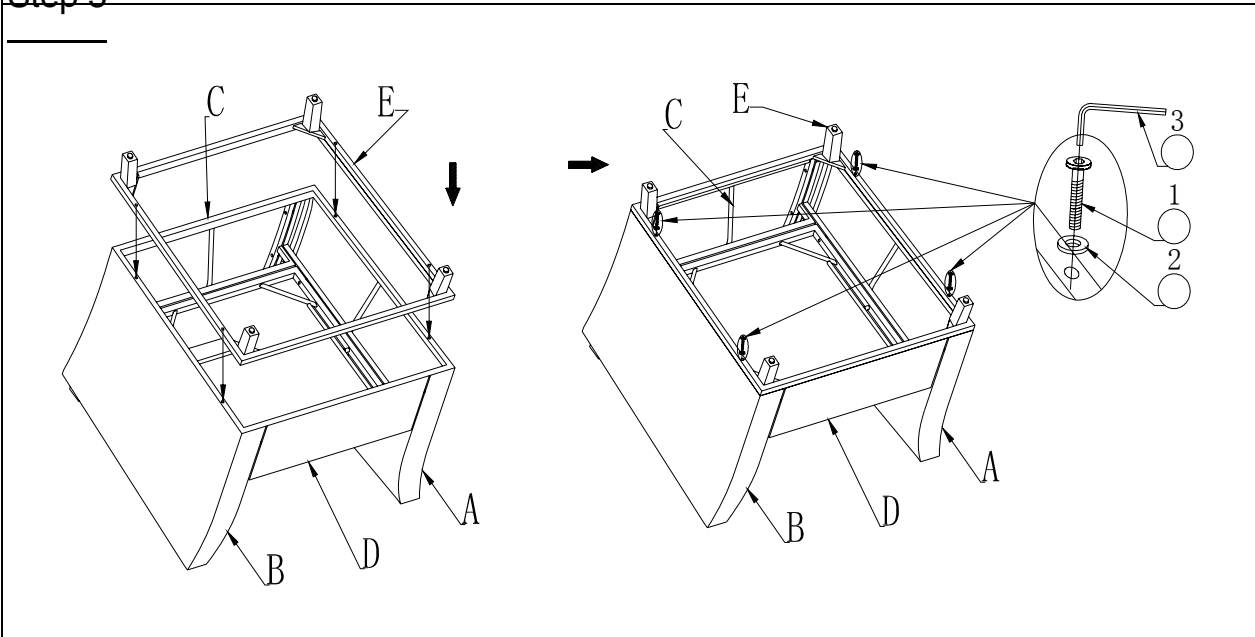
When tightening the Bolts, tighten sequentially.

DO NOT tighten any Bolt fully and then move on towards the next one.

This could cause the frame to warp. If there are still wobbles, loosen the Bolts and execute the same process.

If the Chair is not stable, it could lead to damage to the product.

Step 5



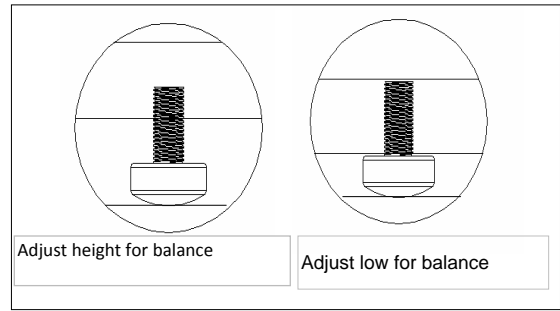
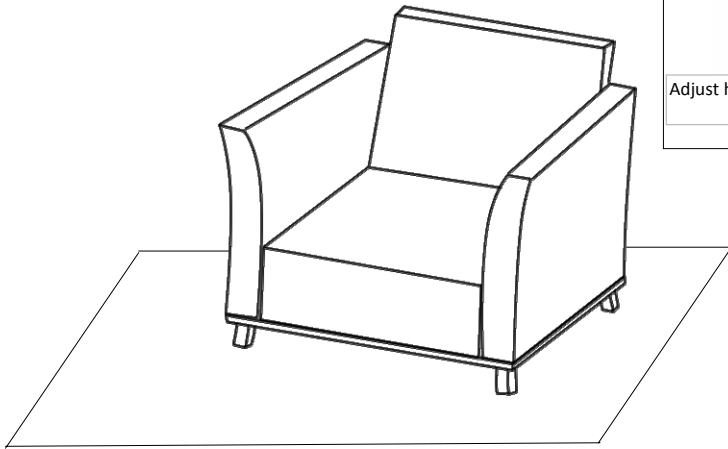
Align the Base (E) to the bottom of the Chair as shown above.

Attach Base(E) to Chair using Bolts(①), and Washers(②) with Allen Key(③).

Tighten all Bolts fully in a sequential manner.

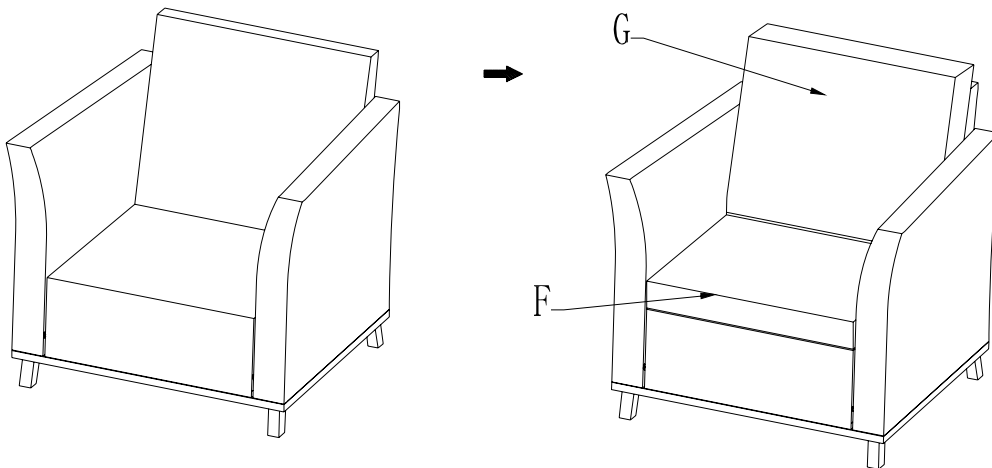
Note: The Base is marked Front and Back. Please ensure it is in the correct position during assembly.

Step 6























With the help of your adult partner, stand the Chair up.
Adjust the Pre-attached Levellers on the Base(E) until the Chair is level with the ground.

Step 7



Place the Seat Cushion(F) and Back Cushion(G) on the Club Chair.
Your Club Chair is ready for use.
This Club Chair can only be used on a flat, level surface.

Care & Maintenance

-   ● Do not put hot items directly on furniture surface
 -   ● Do not clean furniture with harsh cleansers or polish.
 -   ● To obtain the longest lifespan of your outdoor products, minimizing exposure to direct sunlight is recommended.
 -   ● Children should not climb or jump on the furniture.
 -   ● Do not write on furniture without a padded barrier to protect the surface.
 -   ● To obtain the longest lifespan of your outdoor products, avoid extended and lengthy exposure to rain, snow, and direct sunshine. Whenever possible cover the product and /or place under patio or awnings.
 -   ● Not for commercial use. For residential use only .
 -   ● Stains may be removed with mild soap solution and damp cloth.
 -   ● Keep away from sources of ignition.
-
-   ● Dust and pick-up spills using a clean, non-colored, lint-free cloth.

What is Proposition 65?

Proposition 65 is a California law that requires warning labels on products that may contain one of more than 800-plus chemicals or ingredients that the California Office of Environmental Health Hazard Assessment (OEHHA) has deemed to cause cancer or other reproductive toxicity. Chemicals and elements on this list include wood dust, brass, and other everyday substances, which can be found in very common household items, such as: lamps, tableware, jewelry, crystal glasses, electric cords, beauty products, automobiles, and furniture.

Why Did I Find a Proposition 65 Warning on My Home Goods Product?

We include Proposition 65 warnings on all of our products because there is always a chance that one of the 800-plus common chemicals and ingredients listed under this law could potentially be on our furniture or packing materials. We risk large fines under this law, if we don't include this warning.

Should I worry?

We realize you may be worried finding this warning on our products, but we want to reassure you that the hazardous exposure limits for any of these chemicals have never been found on furniture products that we've shipped to our customers. Additionally, this warning label is very common and can be found on almost every piece of furniture sold in the state of California.

Just How Common Are Proposition 65 Warnings?

Proposition 65 warnings have become so common in California that it is hard to take a trip to a local bank, grocery store, or restaurant without finding at least one warning. In fact, even the Disneyland Resort has a Proposition 65 warning:

