

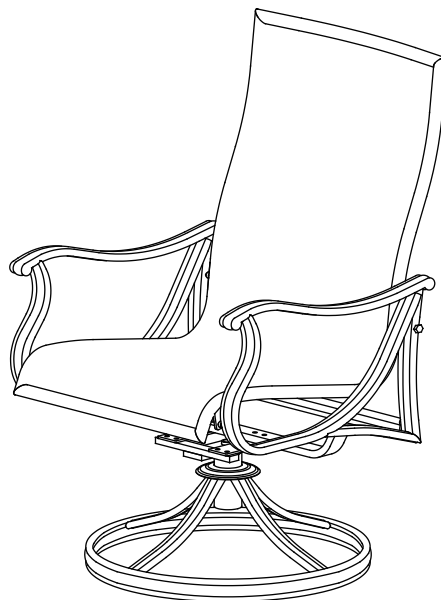


Item #639227
Model #HD14205

USE AND CARE GUIDE

3-PIECE PEMBREY BISTRO SET

(2-Piece Swivel Rockers)



Questions, problems, missing parts? Before returning to the store,
call Hampton Bay Customer Service
8:00 a.m. - 6:00 p.m., EST, Monday-Friday

1-855-HD-HAMPTON

HAMPTONBAY.COM

THANK YOU

We appreciate the trust and confidence you have placed in Hampton Bay through the purchase of this bistro set. We strive to continually create quality products designed to enhance your home. Visit us online to see our full line of products available for your home improvement needs. Thank you for choosing Hampton Bay!

Table of Contents

Table of Contents	2	Pre-Assembly.....	3
Safety Information.....	2	Planning Assembly.....	3
Warranty.....	2	Hardware Included.....	3
3 Year Frame, 2 Year Weave		Package Contents	4
Limited Warranty.....	2	Assembly.....	5
What Is Covered.....	2		
What Is Not Covered.....	2		
Care Instructions.....	2		

Safety Information



DANGER: Please keep children out of the assembly area before assembly.



CAUTION: Use the chair on flat ground only.



WARNING: Do not put heavy objects on the chair.



IMPORTANT: Please check the tightness of the bolts at least every 90 days.

Warranty

3 YEAR FRAME AND 2 YEAR WEAVE LIMITED WARRANTY

WHAT IS COVERED

We warrant the frame to be free of manufacturing defects to the original purchaser for three years and the weave for two years.

WHAT IS NOT COVERED

It remains the customer's responsibility for freight and packaging charges to and from our service center. This warranty does not cover commercial use, hardware, acts of nature, fire, freezing and abusive use. In addition, purchased parts are not covered under this warranty. We reserve the right to make substitutions with similar merchandise, if the model in question is no longer in production.

Care Instructions

Before using, wipe with a clean, dry cloth. Do not use bleach or solvents. Treat the frame with liquid wax for maximum protection against UV light and salty, damp air. When not in use, store furniture in a cool, dry place. If your set includes cushions or mesh fabric, they may be cleaned by hand with a mild solution of soap and water. Rinse cushions thoroughly and allow to drip dry. Do not machine wash or tumble dry, as cushions may shrink. Do not use bleach or solvents on fabrics. When cleaning the tabletop make sure to use a soft, clean cloth that does not bleed color.

You may contact our customer service department with any questions by phone at 1-855-HD-HAMPTON or visit www.hamptonbay.com.

Pre-Assembly

PLANNING ASSEMBLY

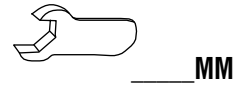
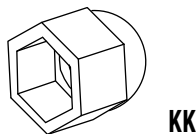
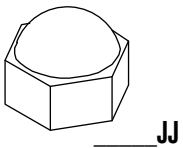
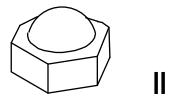
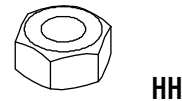
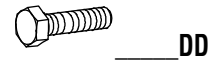
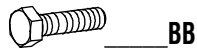
It will take one person about 20 minutes to complete the assembly process.

Assemble this product on a blanket or towel or other soft, non-abrasive surface to avoid scratching the finish.

HARDWARE INCLUDED



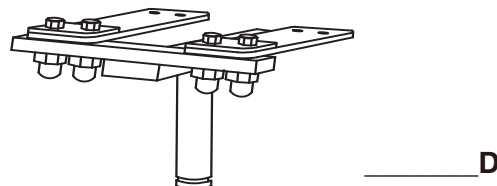
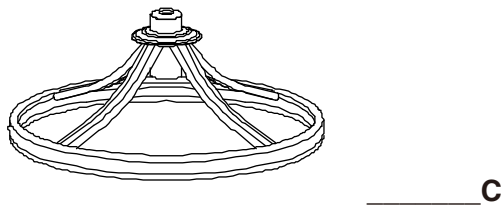
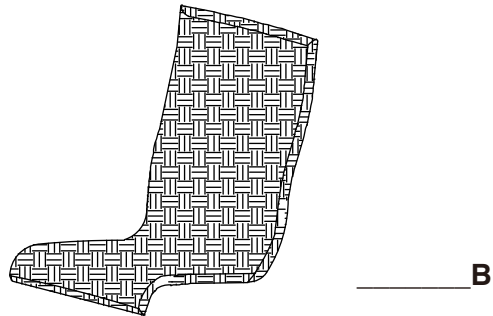
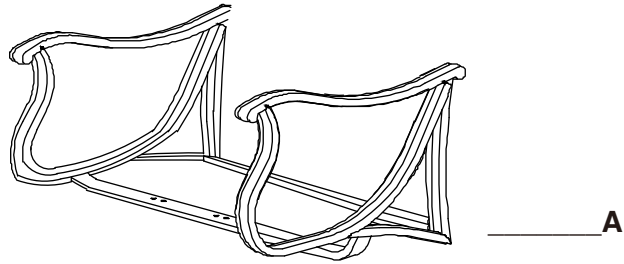
NOTE: Hardware not shown to actual size.



Part	Description	Quantity
AA	Steel Plate	8
BB	Bolt (M6 x 15 mm)	4
CC	Bolt (M6 x 55 mm)	4
DD	Bolt (M8 x 35 mm)	8
EE	Metal Washer (M8)	8
FF	Metal Washer (M6)	8
GG	Lock Washer	8
HH	Nut (M8)	8
II	Plastic Bolt Cap (M6)	8
JJ	Plastic Bolt Cap (M8)	8
KK	Plastic Nut Cap	8
LL	Hex Wrench (M6)	1
MM	Hex Wrench (M8)	2

Pre-Assembly (continued)

PACKAGE CONTENTS



Part	Description	Quantity
A	Arms and Seat Bracket	2
B	Seat and Back Combination	2
C	Base	2
D	T-Rock	2

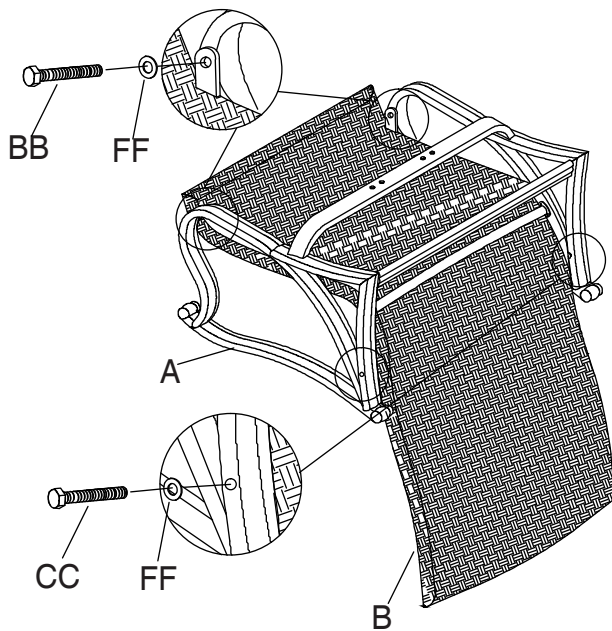
Assembly

1 Attaching the arms and seat frame to the seat and back combination

- Place the seat and back combination (B) upside down and carefully align the arms and seat frame (A) into place.
- Attach the arms and seat frame (A) to the seat and back combination (B) by inserting bolts (BB) and (CC) with metal washers (FF) through the four pre-drilled holes of the seat and back combination (B) and the arms and seat frame (A). Loosely tighten with the hex wrench (LL).



IMPORTANT: Do not tighten completely until assembly is completed.

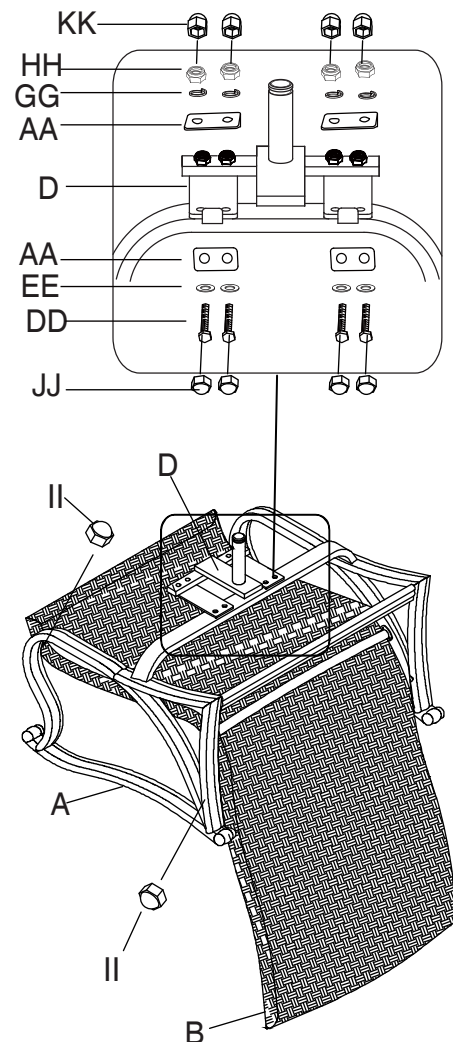


2 Attaching the T-Rock to the arms and seat frame

- Attach the T-Rock (D) to the center crossbar on the bottom of the arms and seat frame (A) in the following order: Bolts (DD); metal washers (EE); rectangular steel plates (AA); arm and seat frame (A); T-Rock (D); rectangular steel plates (AA); lock washers (GG); and nuts (HH). Tighten carefully with the hex wrench (MM).
- Cover all bolts and nuts with plastic caps (II, JJ and KK).



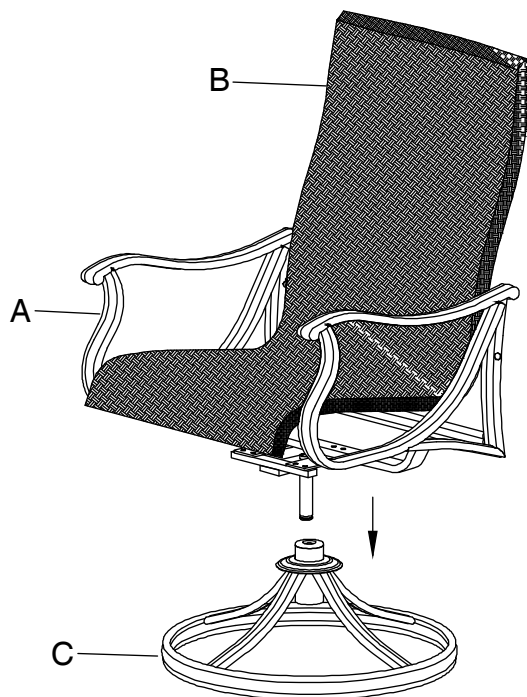
IMPORTANT: The bolts are inserted from underneath the seat through the crossbar into the swivel-rock mechanism, starting closest to the bottom of the seat. The rectangular steel plates are used on EACH side, as noted above. Make sure the previously screwed section of the swivel-rock mechanism is FACING FORWARD.



Assembly (continued)

3 Inserting the chair frame to the base

- Turn over the completed chair frame (A, B, and D) and carefully insert it into the chair base (C). Please make sure the chair frame is fully inserted onto the base by using a twisting motion as you assemble. Your chair is now ready for use, so relax & enjoy!





**Questions, problems, missing parts? Before returning to the store,
call Hampton Bay Customer Service
8:00 a.m. - 6:00 p.m., EST, Monday-Friday**

1-855-HD-HAMPTON

HAMPTONBAY.COM

Retain this manual for future use.



Item #639227
Model #HD14205

USE AND CARE GUIDE

3-PIECE PEMBREY BISTRO SET

(Bistro Table)



Questions, problems, missing parts? Before returning to the store,
call Hampton Bay Customer Service
8:00 a.m. - 6:00 p.m., EST, Monday-Friday

1-855-HD-HAMPTON

HAMPTONBAY.COM

THANK YOU

We appreciate the trust and confidence you have placed in Hampton Bay through the purchase of this bistro set. We strive to continually create quality products designed to enhance your home. Visit us online to see our full line of products available for your home improvement needs. Thank you for choosing Hampton Bay!

Table of Contents

Table of Contents	2	Pre-Assembly.....	3
Safety Information.....	2	Planning Assembly.....	3
Warranty.....	2	Hardware Included.....	3
3 Year Frame		Package Contents	4
Limited Warranty.....	2	Assembly.....	5
What Is Covered.....	2		
What Is Not Covered.....	2		
Care Instructions.....	2		

Safety Information



DANGER: Please keep children out of the assembly area before assembly.



CAUTION: Use the table on flat ground only.



WARNING: Do not sit or stand on the table.



IMPORTANT: Please check the tightness of the bolts at least every 90 days.



WARNING: Do not put heavy objects on the table.



NOTE: Level the table with glides at the bottom of each leg.

Warranty

3 YEAR FRAME LIMITED WARRANTY

WHAT IS COVERED

We warrant the frame to be free of manufacturing defects to the original purchaser for three years.

WHAT IS NOT COVERED

It remains the customer's responsibility for freight and packaging charges to and from our service center. This warranty does not cover commercial use, hardware, acts of nature, fire, freezing and abusive use. In addition, purchased parts are not covered under this warranty. We reserve the right to make substitutions with similar merchandise, if the model in question is no longer in production.

Care Instructions

Before using, wipe with a clean, dry cloth. Do not use bleach or solvents. Treat the frame with liquid wax for maximum protection against UV light and salty, damp air. When not in use, store furniture in a cool, dry place. If your set includes cushions or mesh fabric, they may be cleaned by hand with a mild solution of soap and water. Rinse cushions thoroughly and allow to drip dry. Do not machine wash or tumble dry, as cushions may shrink. Do not use bleach or solvents on fabrics. When cleaning the tabletop make sure to use a soft, clean cloth that does not bleed color.

You may contact our customer service department with any questions by phone at 1-855-HD-HAMPTON or visit www.hamptonbay.com.

Pre-Assembly

PLANNING ASSEMBLY

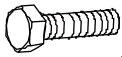
It will take one person about 10 minutes to complete the assembly process.

Assemble this product on a blanket or towel or other soft, non-abrasive surface to avoid scratching the finish.

HARDWARE INCLUDED



NOTE: Hardware not shown to actual size.



___AA



___BB



___CC

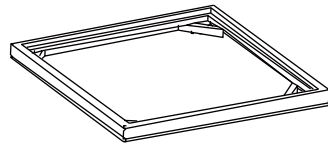


___DD

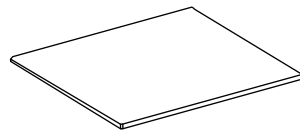
Part	Description	Quantity
AA	Bolt (M6 x 15 mm)	16
BB	Metal Washer	16
CC	Plastic Bolt Cap	16
DD	Hex Wrench	1

Pre-Assembly (continued)

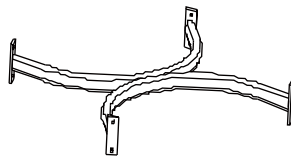
PACKAGE CONTENTS



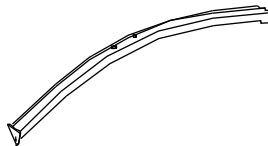
_____ **A**



_____ **B**



_____ **C**



_____ **D**

Part	Description	Quantity
A	Table Top Rim	1
B	Ceramic Tile	1
C	Leg Connector Bracket	1
D	Leg	4

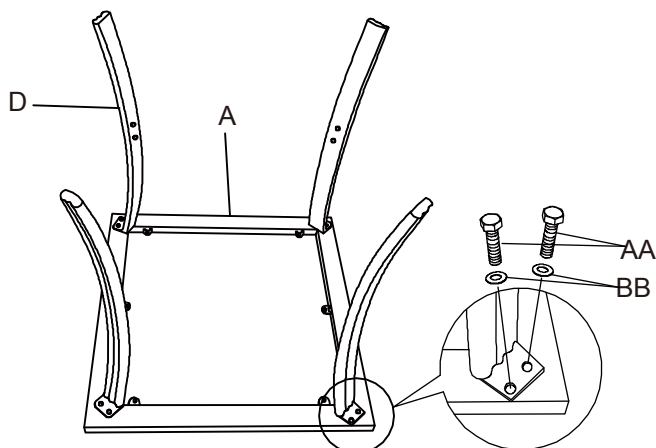
Assembly

1 Attaching the legs to the table top rim

- Place the table top rim (A) upside down so the pre-drilled corner holes are visible. Align and attach each of the four table legs (D) in the corners of the table top rim (A), by inserting bolts (AA) with metal washers (BB) through the pre-drilled holes. Loosely tighten with the hex wrench (DD).



IMPORTANT: Do not tighten completely until assembly is completed.

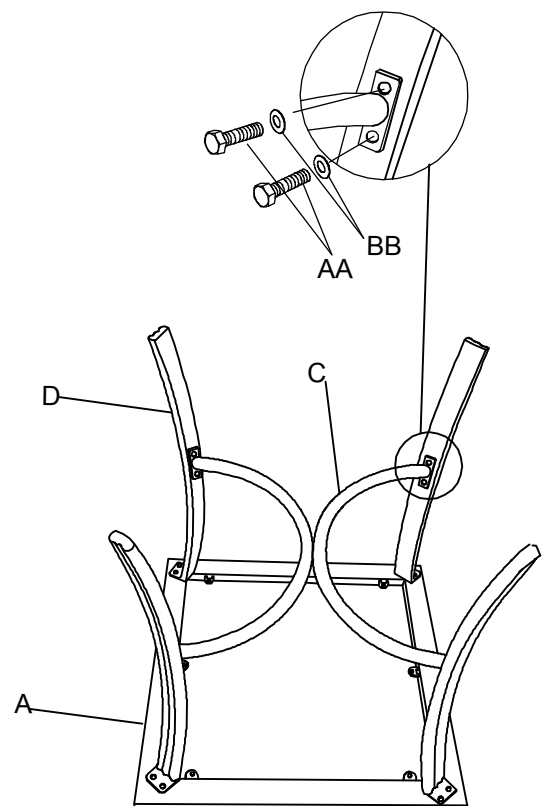


2 Attaching the leg connector bracket to the legs

- Attach the leg connector bracket (C) to each of the table legs (D) by inserting bolts (AA) with metal washers (BB) into the pre-drilled holes. Loosely tighten with the hex wrench (DD).



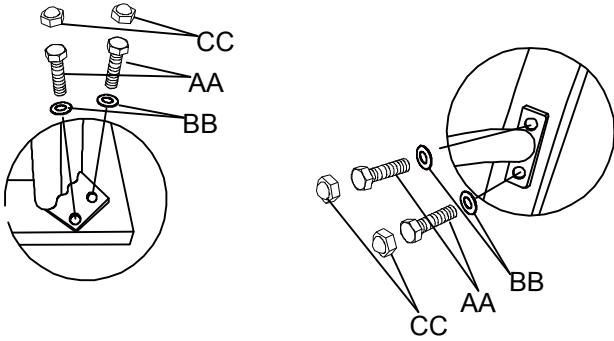
IMPORTANT: Each of the 4 leg bolts should be attached and initially tightened only a few revolutions. Then tighten further, one at a time, alternating between the 4 legs. Do NOT fully tighten one leg before you attach the other legs.



Assembly (continued)

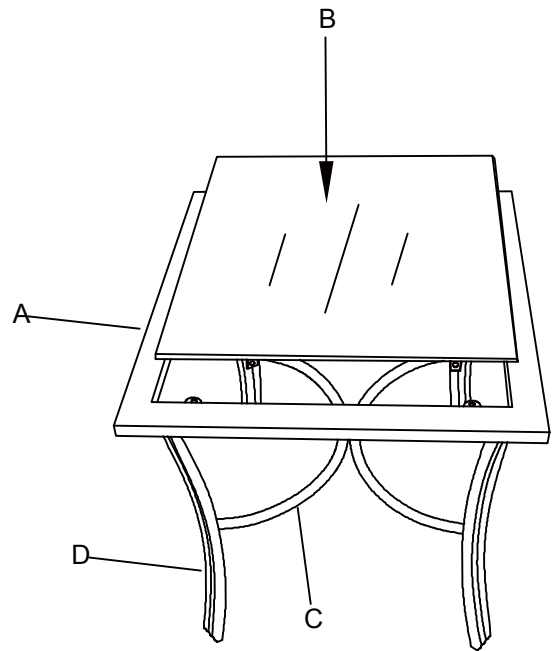
3 Attaching the bolt caps

- Tighten all the bolts using the hex wrench (DD) and then cover them with the plastic bolt caps (CC).



4 Leveling the table and placing the ceramic tile onto the table rim

- Turn the table to an upright position, and carefully place the ceramic tile (B) onto the table rim. Your table is now ready for use, so relax & enjoy!





**Questions, problems, missing parts? Before returning to the store,
call Hampton Bay Customer Service
8:00 a.m. - 6:00 p.m., EST, Monday-Friday**

1-855-HD-HAMPTON

HAMPTONBAY.COM

Retain this manual for future use.